

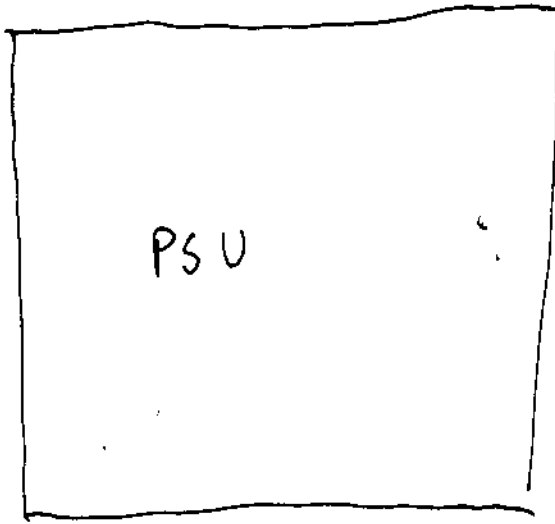
9845

98770-66524
(Y) Video I/F

09845-66502
↓ (Bh/R) I/O Backplane

09845-66551
(G/Ar) Printer I/F

Empty
||
||



← Language
Processor

↑
09845-66540
(W/BL)
RAM

↑
09845-66516
(Q/Bu)

Main Backplane:
09845-66500

↑
09845-66955
(Gn) Printer
Driver

←
09845-66524
(R/W)
ROM/RAM

09845-66546
(Y/Bu)
(RAM/ROM)
Peripheral
Processor

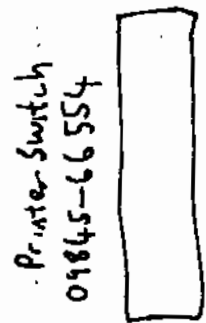
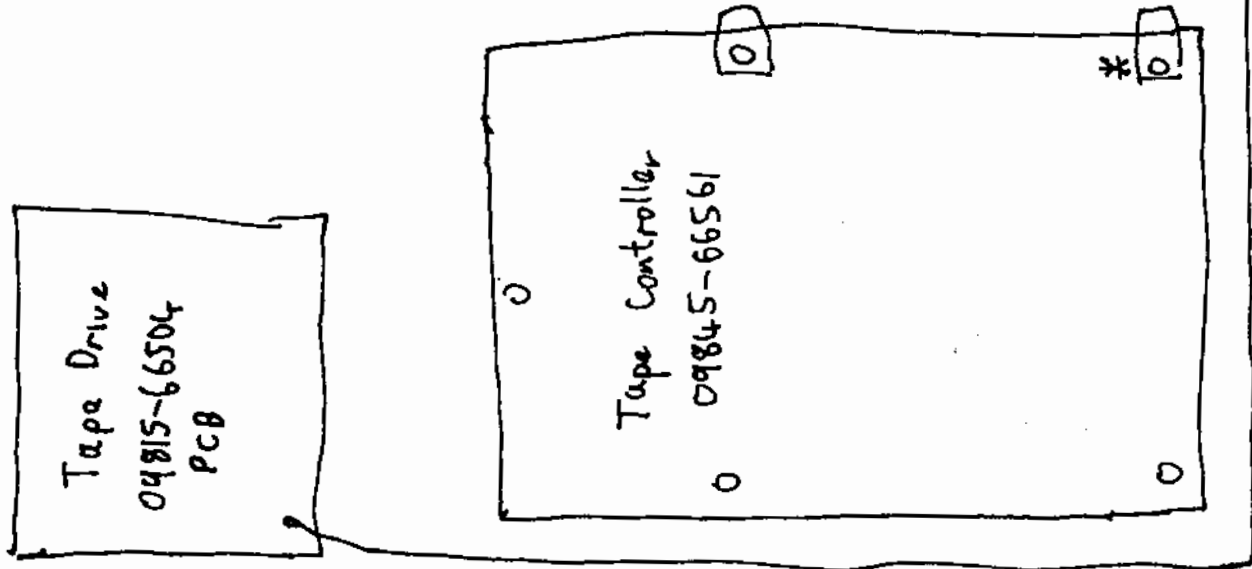
09845-66518
Chopper

09845-66517
5V out
+/-2V

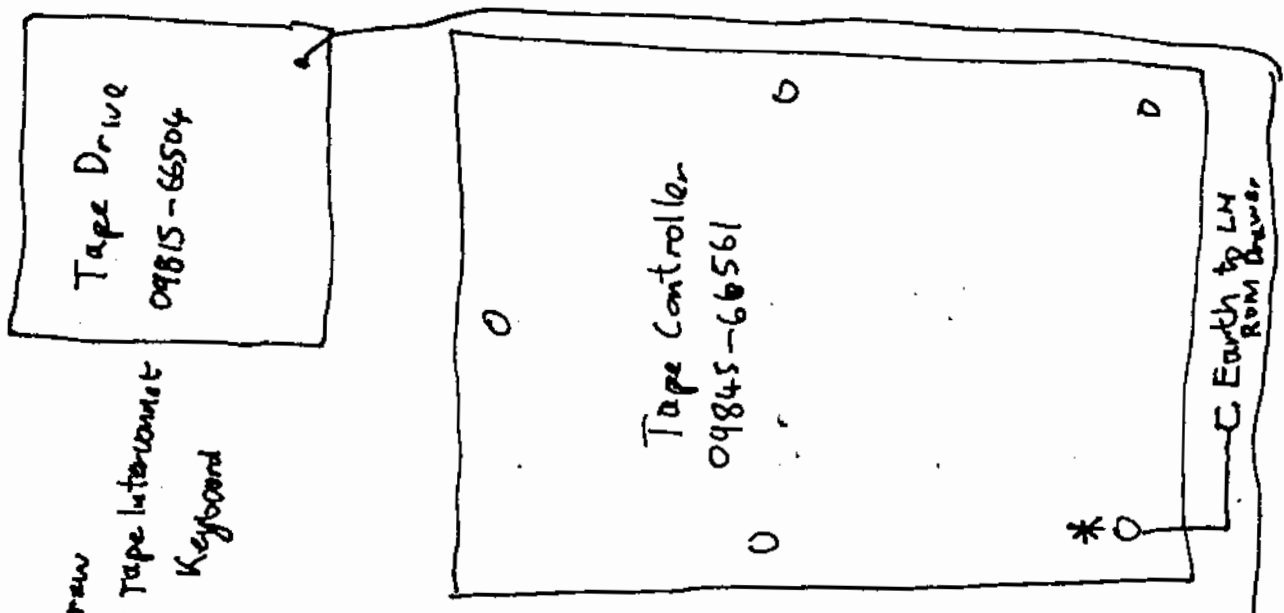
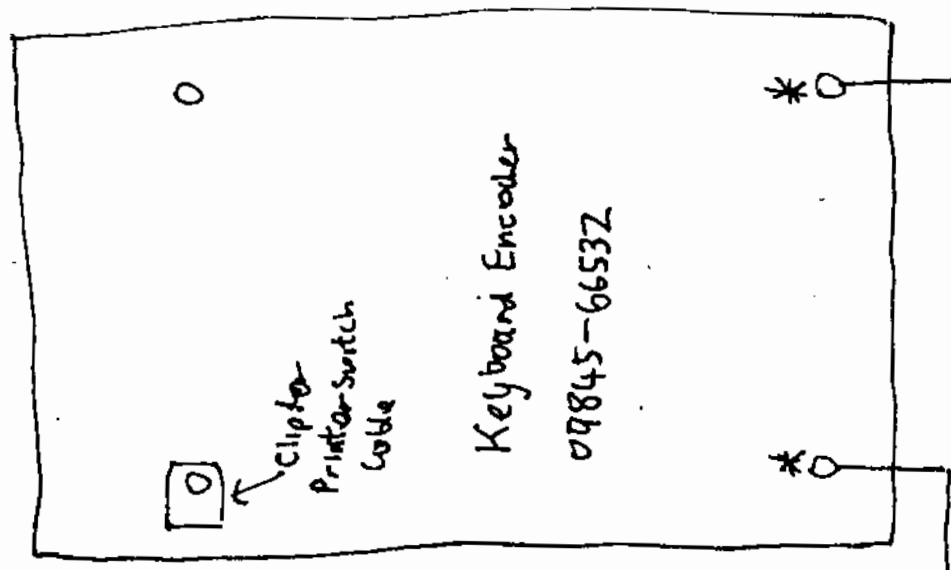
PSU Mainboard
09845-66520

← 09845-66519
+/-2V out

← 09845-66534
PSU Control

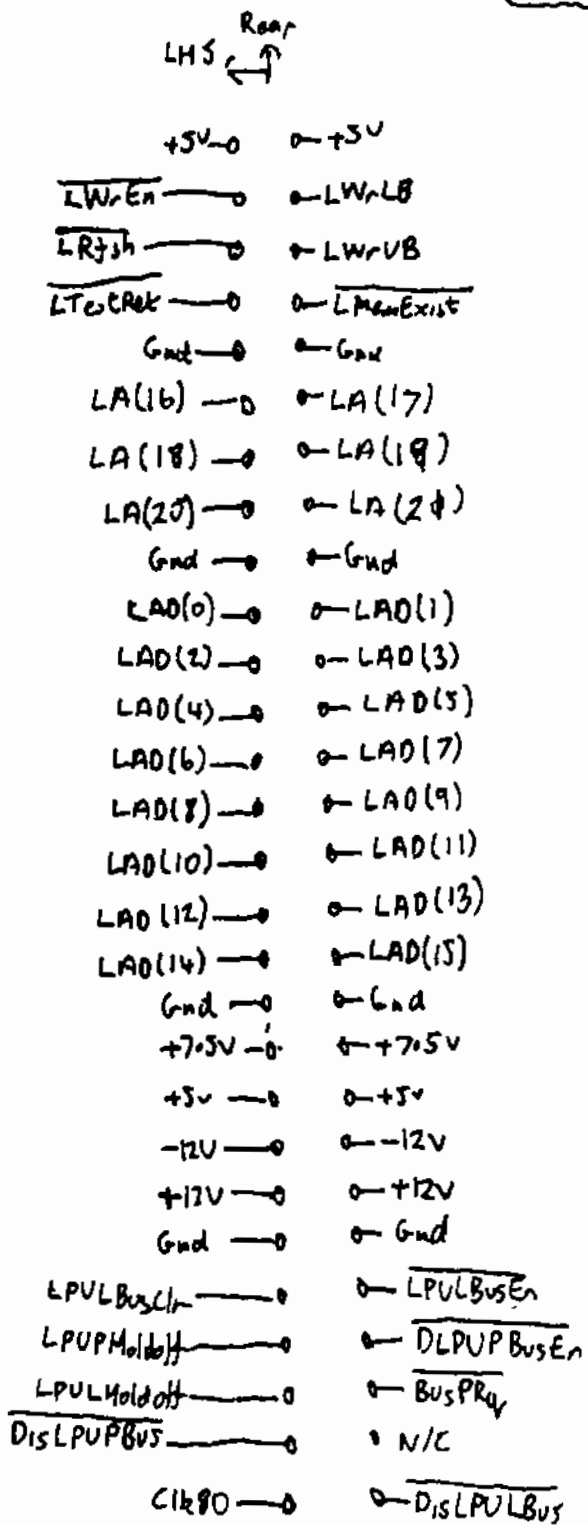


* ≡ Short Screw
09845-66505 Tape Interconnect
04843-66531 Keyboard

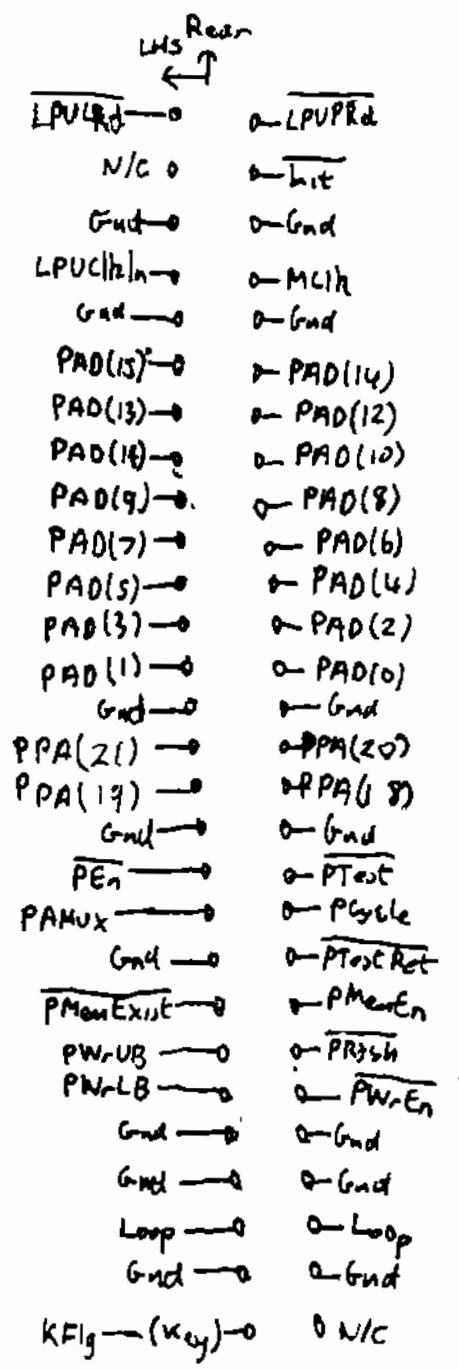


HP9845 Keyboard Assembly

HP9845 Language Processor

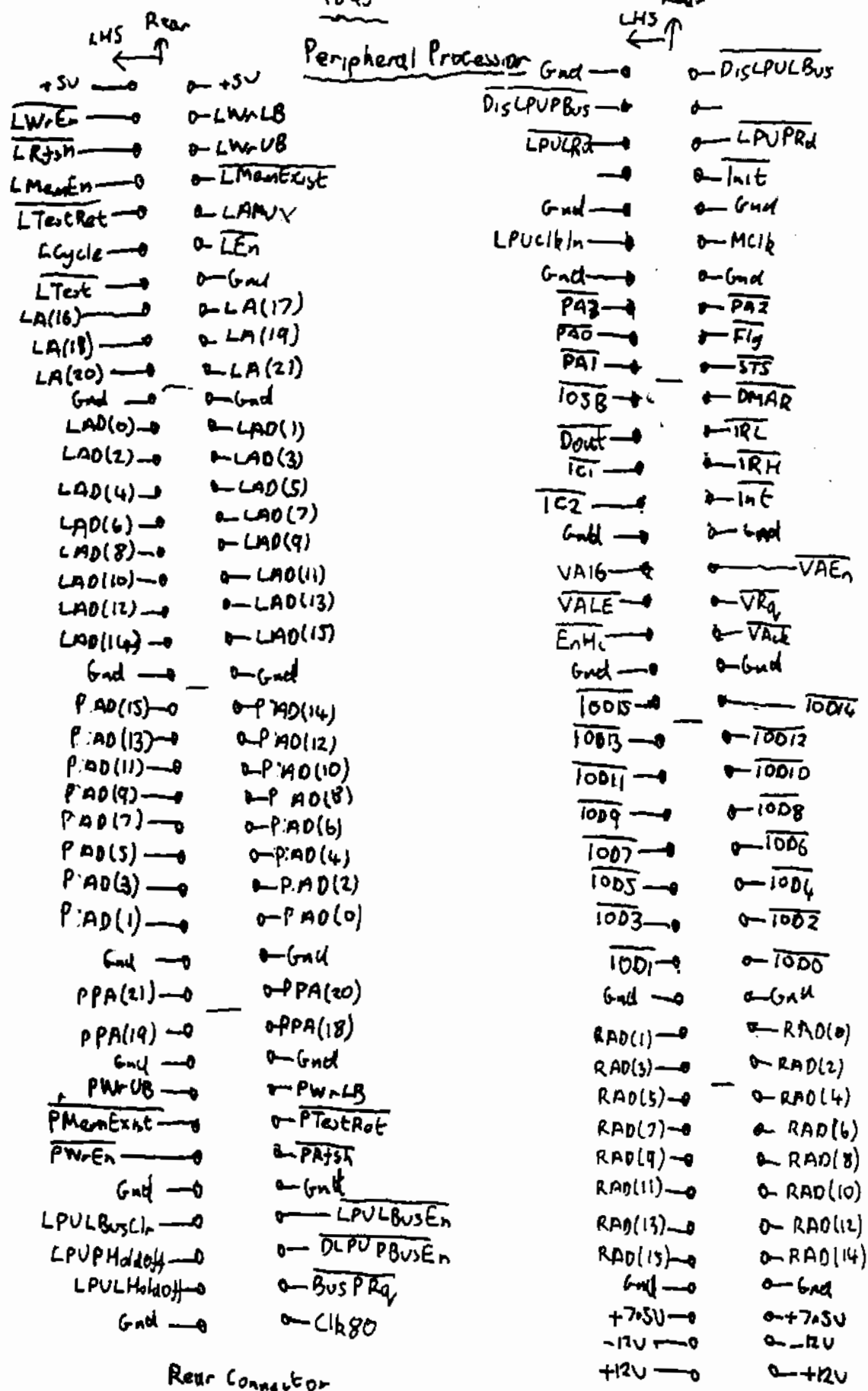


Rear Connector



Front Connector

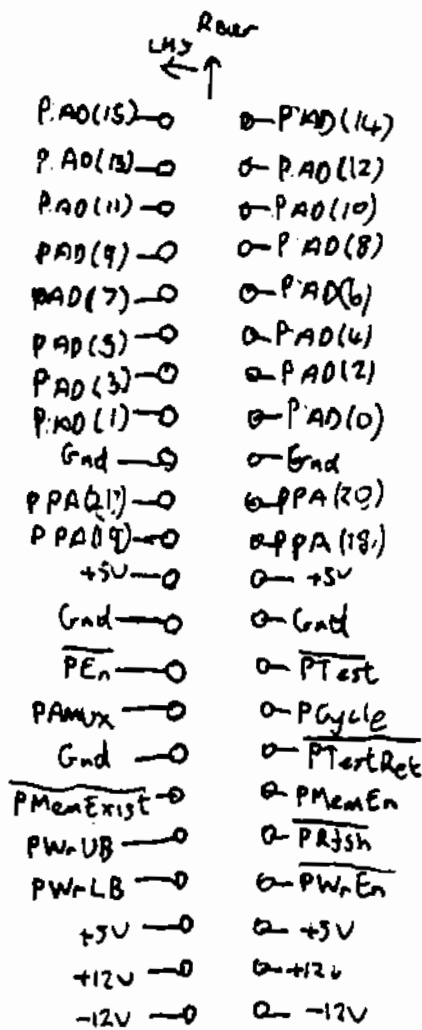
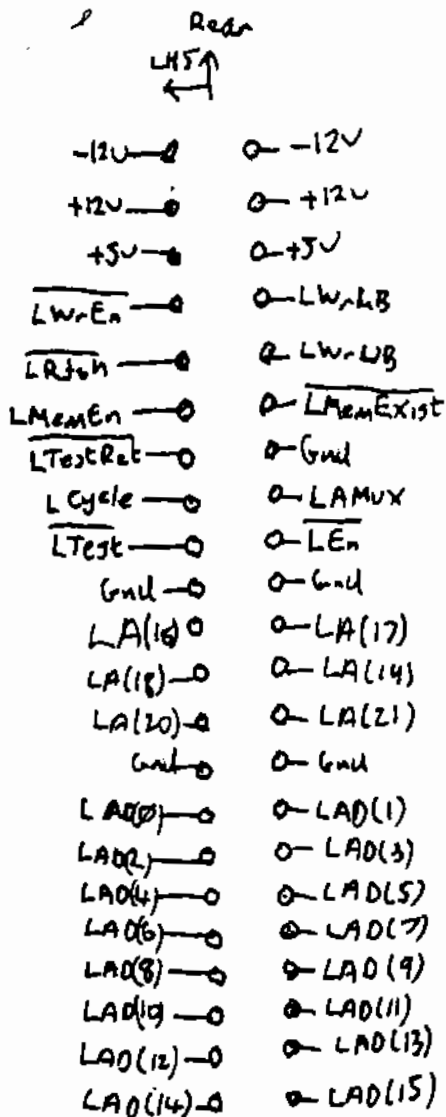
9845



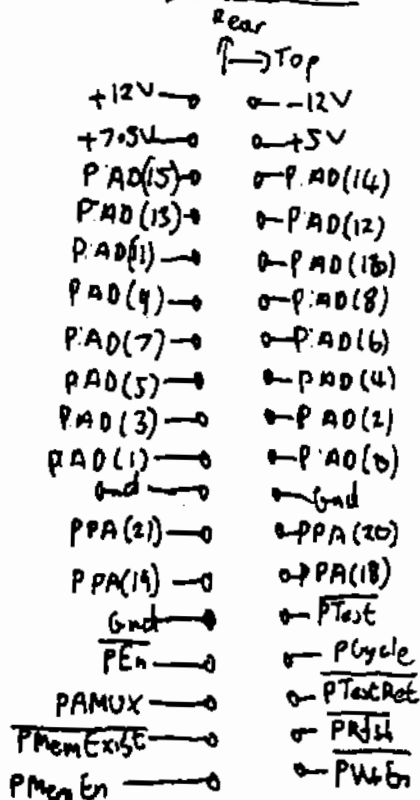
Rear Connector

Front Connector

9845 Memory

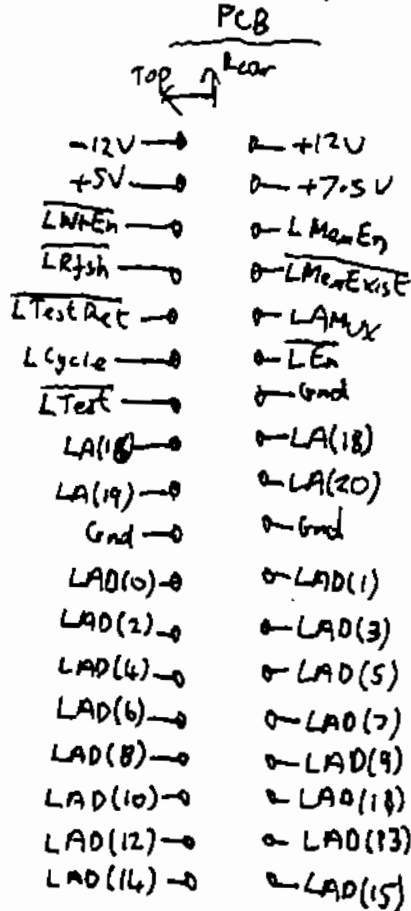


LH Memory PCBs



LH ROM Drawer
(Green)

RH Memory PCB



RH ROM Drawer
(Black)

HP9845

Rear Video Interface
 LHS ↑

VAEn → 0	→ VA16
VRq → 0	→ IntE
VALE → 0	→ LPUCIkIn
EnMi → 0	→ VAck
Gnd → 0	→ Gnd
-Vm → 0	→ -Vm
+Vm → 0	→ +Vm
+5V → 0	→ +5V
Gnd → 0	→ -12V
RAD(1) → 0	→ RAD(0)
RAD(3) → 0	→ RAD(2)
RAD(5) → 0	→ RAD(4)
RAD(7) → 0	→ RAD(6)
RAD(9) → 0	→ RAD(8)
RAD(11) → 0	→ RAD(10)
RAD(13) → 0	→ RAD(12)
RAD(15) → 0	→ RAD(14)
Gnd → 0	→ Gnd

Monitor Connectors.

Rear
 LHS ↑

MonAck → 0	→ WrFull
MonStb → 0	→ DD15
Gnd → 0	→ MonCtrlAddr
Gnd → 0	→ +5V
MD(6) → 0	→ +5V
MD(7) → 0	→ +5V
MD(8) → 0	→ N/E
MD(9) → 0	→ -Vm
MD(12) → 0	→ -Vm
MD(13) → 0	→ +Vm
MD(16) → 0	→ +Vm
MD(17) → 0	→ Gnd
MD(18) → 0	→ Gnd
MD(19) → 0	→ MD(12)
MD(20) → 0	→ MD(13)
MD(21) → 0	→ MD(14)
DA14 → 0	→ Gnd
Gnd → 0	→ IntE

PA(2) → 0	→ +5V
PA(3) → 0	→ +5V
PA(0) → 0	→ +12V
STS → 0	→ -12V
PA(1) → 0	→ Fly
DMAR → 0	→ Dout
IOSB → 0	→ Gnd
IRH → 0	→ Gnd
IC(1) → 0	→ 10D(1)
Int → 0	→ 10D(0)
IC(2) → 0	→ 10D(3)
10D(14) → 0	→ 10D(2)
10D(15) → 0	→ 10D(5)
10D(12) → 0	→ 10D(4)
10D(13) → 0	→ 10D(7)
10D(10) → 0	→ 10D(6)
10D(11) → 0	→ 10D(8)
Gnd → 0	→ 10D(9)

RH

LH

9843

1/0 slots

Top
→ LHS

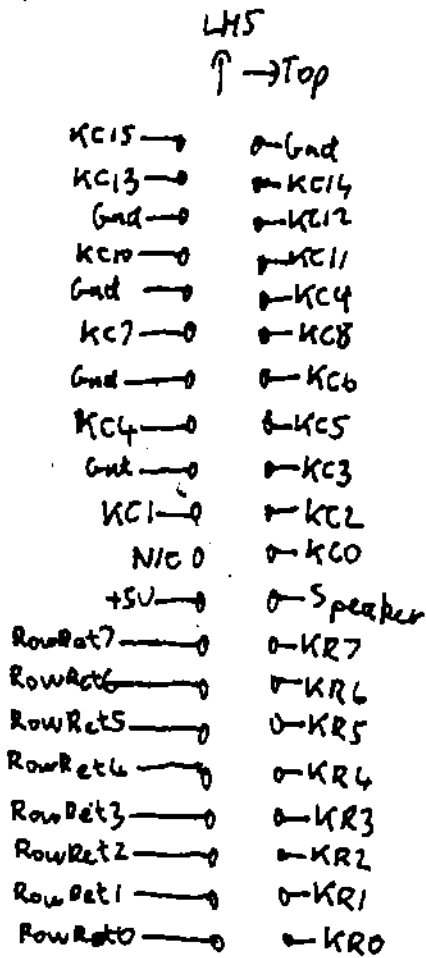
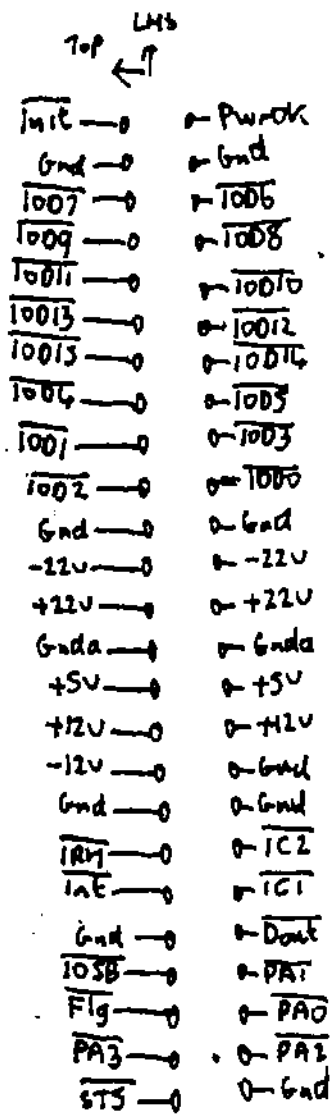
Gnd	0	+5V
B10D0	0	B1004
B10D2	0	B1003
B10D4	0	B1005
B10D6	0	B1007
B10D8	0	B1009
B10D10	0	B10011
B10D12	0	B10013
B10D14	0	B10015
B1nE	0	B1nE
B1RH	0	B1F19
B1RL	0	B1S15
BPA0	0	B1G1
BPA1	0	B1G2
BPA2	0	B10SB
BPA3	0	B0nE
BDMAR	0	BDMAR
Shield	0	
+12V	0	-12V

LHS
↑ → Rear

-12V	0	0	-12V
+5V	0	0	+5V
+12V	0	0	+12V
Int	0	0	Gnd
Gnd	0	0	Gnd
1006	0	0	1007
1008	0	0	1009
10010	0	0	10011
10012	0	0	10013
10014	0	0	10015
1G2	0	0	1RH
1G1	0	0	1RL
DMA R	0	0	STS
Dont	0	0	Int
1005	0	0	1004
1003	0	0	1001
Shield	0	0	Shield
Gnd	0	0	Gnd
1006	0	0	1002
10SB	0	0	PA1
Flg	0	0	PA0
PA3	0	0	PA2

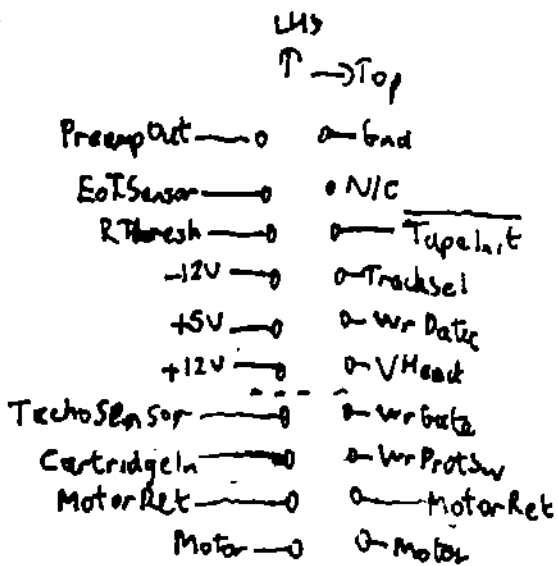
1/0 Backplane → Main Backplane

HP9845 Keyboard Assembly



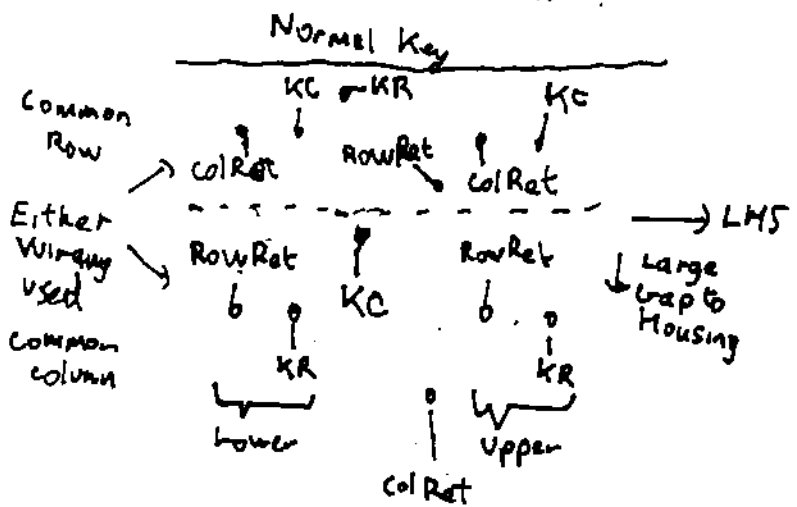
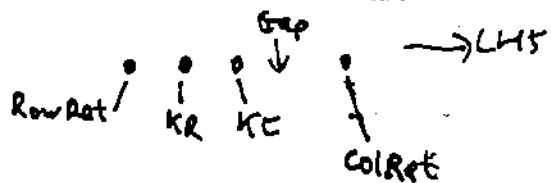
Keyboard
→ Controller

Tape Controller
→ Interconnect



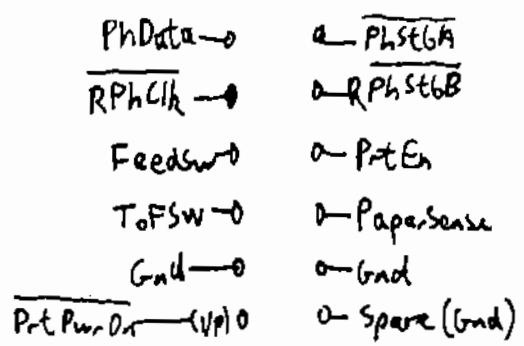
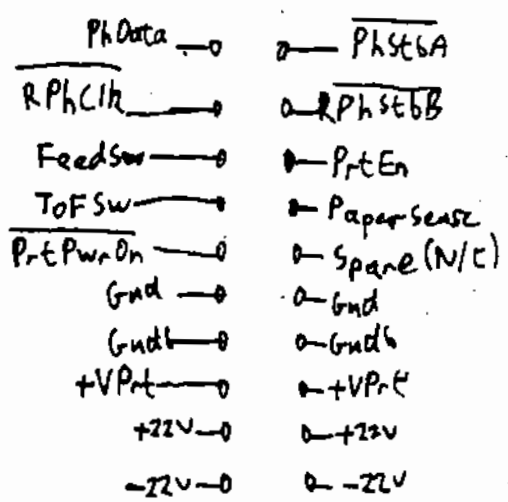
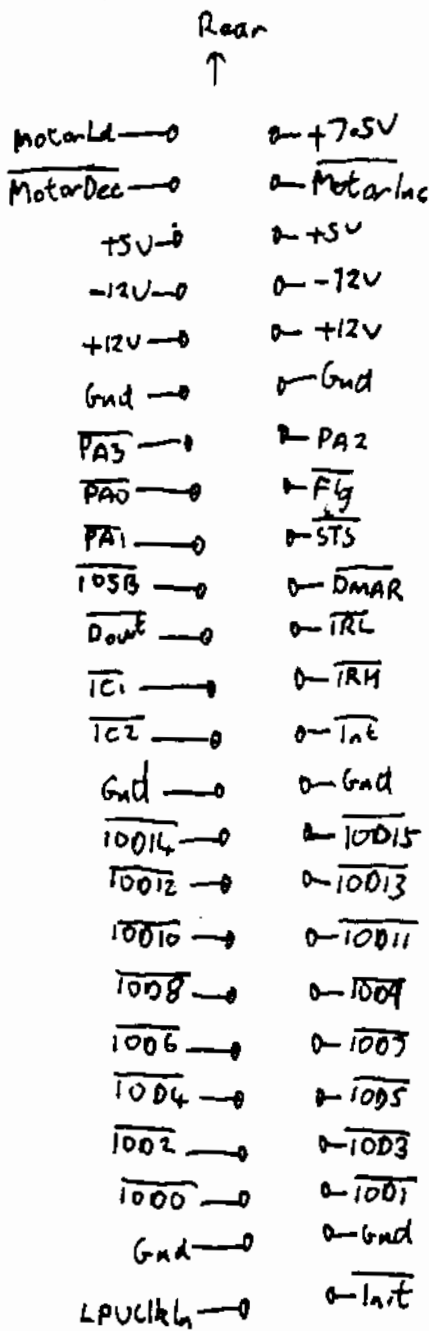
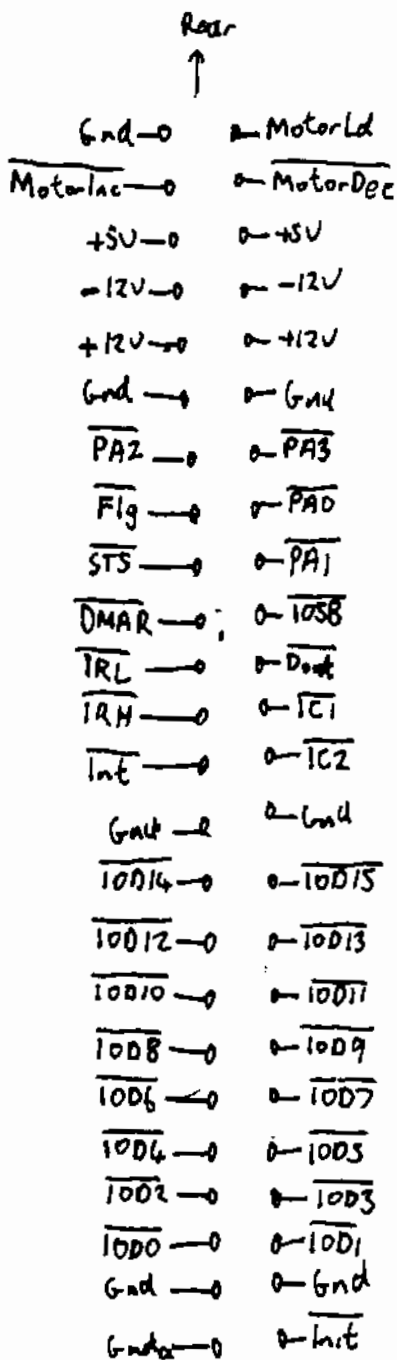
Tape Controller
→ Drive

Key Switch Connections



3-state Key

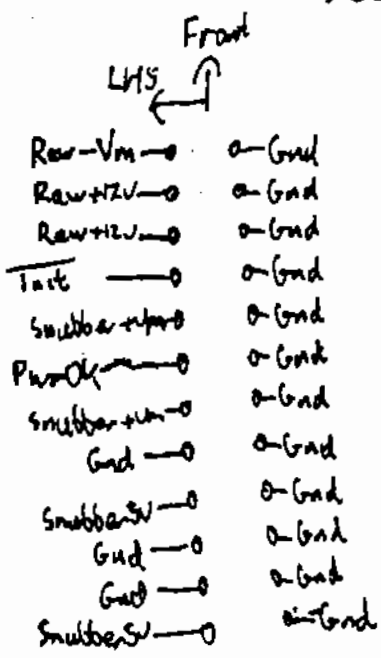
Bottom View



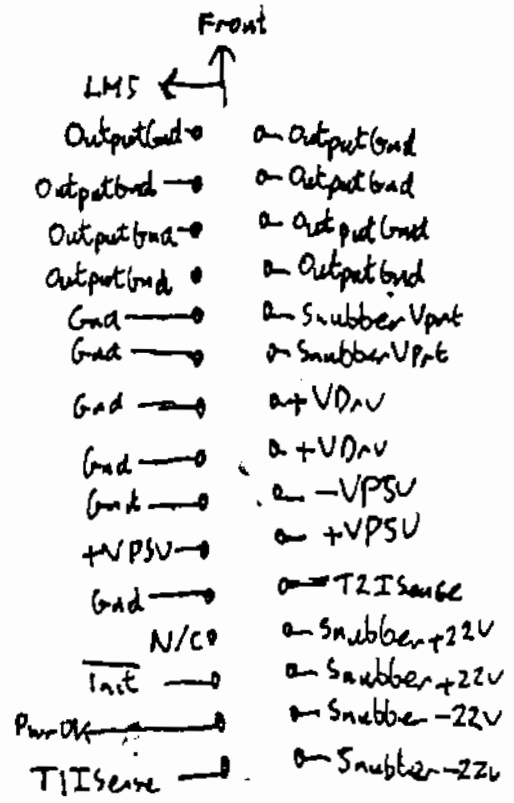
Printer I/F

Printer Driver

HP 9845 PSU

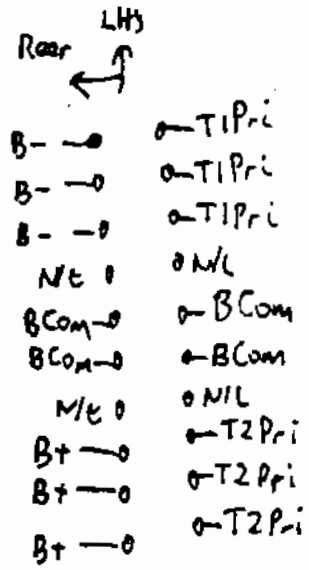


+5V, +12V
Output

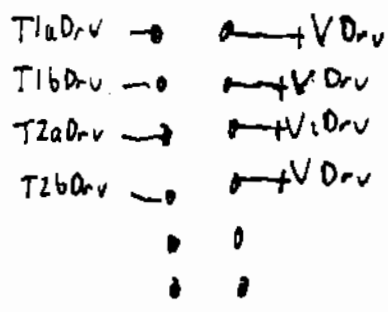


+/-22V output

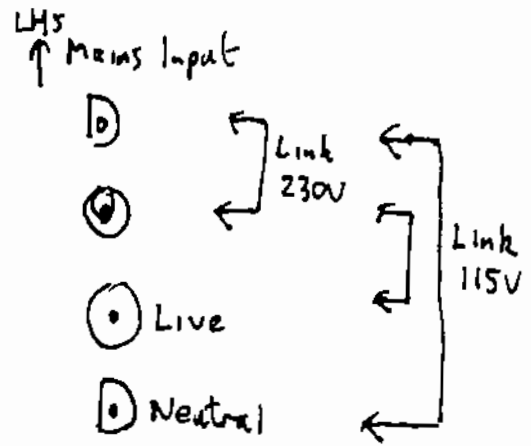
PSU Mainboard



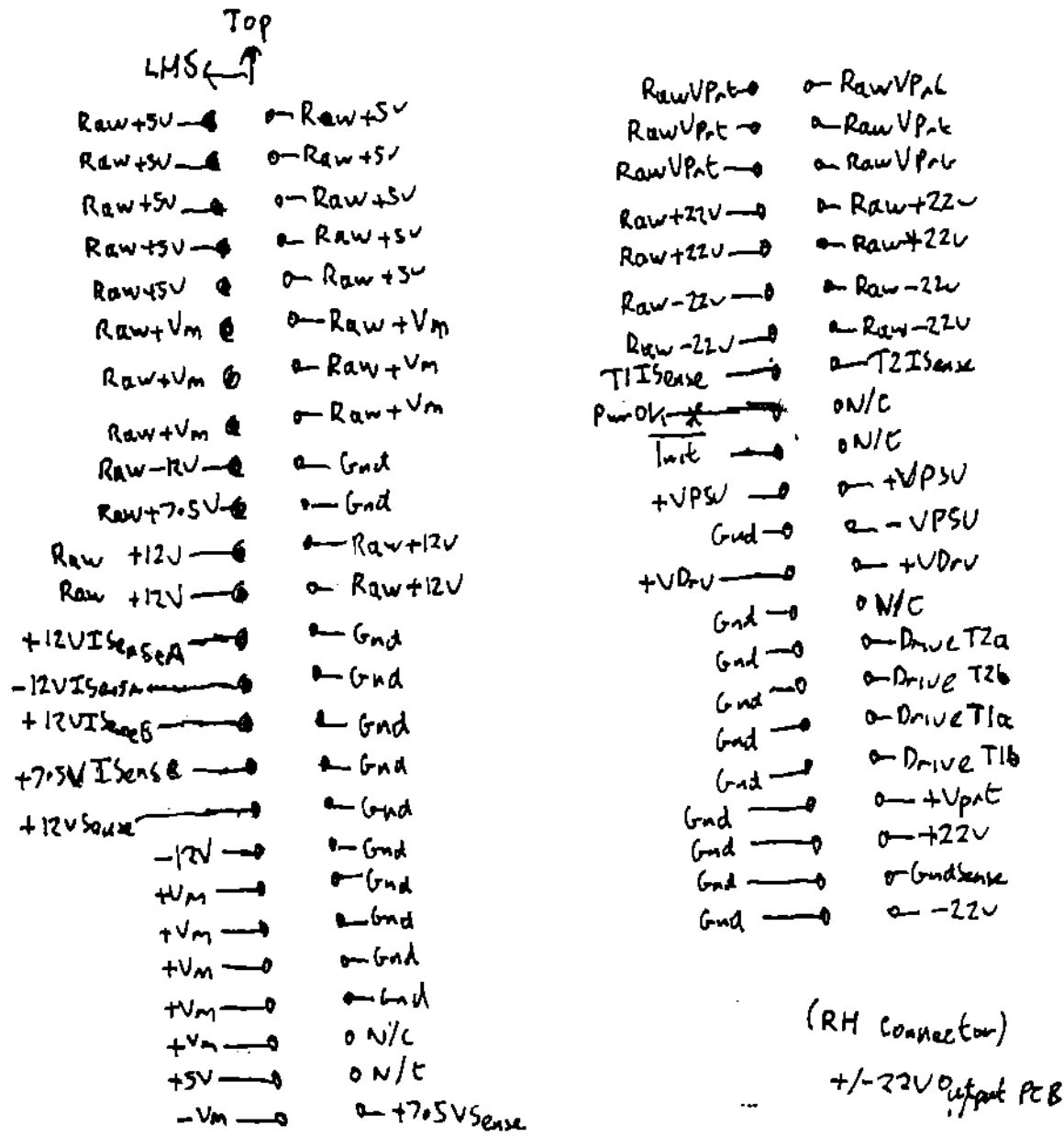
Chopper PCB
to mainboard



Chopper Drive



HP9845 PSU



(LM Connector)

+5, +/-12v output PCB

PSU Control PCB

(RH Connector)

+/-22V output PCB

HP 9845 High Speed Language Processor

RHS ↑ Rear
←

Gnd — C —> Gnd
 LPVclEn — C —> CcllEn
 YDclEn — C —> Gnd
 LPUBusEn — C —> Sel10D
 Gnd — C —> Gnd
 Lp(2) — C —> Lp(3)
 +5V — C —> RegWrA
 B(0) — C —> B(1)
 B(2) — C —> B(3)
 Dsel(0) — C —> Dsel(1)
 Lp(8) — C —> N/C Lp(9)
 Lp(10) — C —> RLatZ
 Gnd — C —> RLatRCO
 Gnd — C —> Gnd
 +5V — C —> +5V
 +5V — C —> +5V
 +5V — C —> +5V
 Gnd — C —> Gnd
 Gnd — C —> Gnd
 Gnd — C —> Gnd
 D(1) — C —> D(0)
 D(3) — C —> D(2)
 D(5) — C —> D(4)
 D(7) — C —> D(6)
 +5V — C —> +5V
 D(9) — C —> D(8)
 D(11) — C —> D(10)
 D(13) — C —> D(12)
 D(15) — C —> D(14)
 Gnd — C —> Gnd
 Y(1) — C —> Y(0)
 Y(3) — C —> Y(2)
 Y(5) — C —> Y(4)
 Y(7) — C —> Y(6)
 +5V — C —> +5V
 Y(9) — C —> Y(8)
 Y(11) — C —> Y(10)
 Y(13) — C —> Y(12)
 Y(15) — C —> Y(14)
 Gnd — C —> Gnd

+5V — C —> +5V
 Gnd — C —> Gnd
 LPVclEn — C —> LPVclEn
 LPVclEn — C —> LPVclEn
 Gnd — C —> Gnd
 CcllEn — C —> CcllEn
 Gnd — C —> Gnd
 LatchClk — C —> LatchClk
 Gnd — C —> Gnd
 RC(2) — C —> RC(3)
 RC(0) — C —> RC(1)
 YDEC7 — C —> YDEC6
 RA(2) — C —> DENA
 RA(0) — C —> RA(1)
 WpLB — C —> WpVB
 Gnd — C —> DLP(33)
 Gnd — C —> Gnd
 RALtri — C —> LdXA
 N/C — C —> N/C
 Gnd — C —> Gnd
 Gnd — C —> Gnd
 AMVxh — C —> RALdEn
 FEn — C —> Bsel
 JOE — C —> LdBpEn
 Gnd — C —> Gnd
 RegAddrDr — C —> LPUrSt
 Gnd — C —> Gnd
 RegAddrLd — C —> Gnd
 Gnd — C —> Gnd
 RegWr — C —> ExtReg(5)
 Gnd — C —> Gnd
 RFlg — (Key) — C —> Sel2
 Lp(33) — C —> Sel3
 Lp(35) — C —> Lp(34)
 +5V — C —> +5V
 +5V — C —> +5V
 +5V — C —> +5V
 Gnd — C —> Gnd
 Gnd — C —> Gnd
 Gnd — C —> Gnd

(Front Connector)

(Rear Connector)

Interface PCB

09845-66536

HP9845 High Speed Language Processor

Rear
RMS ↑

Gnd — C —> Gnd
 P(0) — C —> P(1)
 P(2) — C —> P(3)
 P(4) — C —> P(5)
 P(6) — C —> P(7)
 Gnd — C —> Gnd
 CInD — C —> RegWrA
 B(0) — C —> B(1)
 B(2) — C —> B(3)
 Dsel(0) — C —> Dsel(1)
 RctZ — C —> Lp(9)
 RctRco — C —> Lp(11)
 Lp(12) — C —> Lp(13)
 Lp(14) — C —> Lp(15)
 Lp(16) — C —> Lp(17)
 Lp(18) — C —> Lp(19)
 Lp(20) — C —> Lp(21)
 Lp(22) — C —> Lp(23)
 Lp(24) — C —> Lp(25)
 Gnd — C —> Gnd
 D(1) — C —> D(0)
 D(3) — C —> D(2)
 D(5) — C —> D(4)
 D(7) — C —> D(6)
 +5V — C —> +5V
 D(9) — C —> D(8)
 D(11) — C —> D(10)
 D(13) — C —> D(12)
 D(15) — C —> D(14)
 Gnd — C —> Gnd
 Y(1) — C —> Y(0)
 Y(3) — C —> Y(2)
 Y(5) — C —> Y(4)
 Y(7) — C —> Y(6)
 +5V — C —> +5V
 Y(9) — C —> Y(8)
 Y(11) — C —> Y(10)
 Y(13) — C —> Y(12)
 Y(15) — C —> Y(14)
 Gnd — C —> Gnd

(Rear Connector)

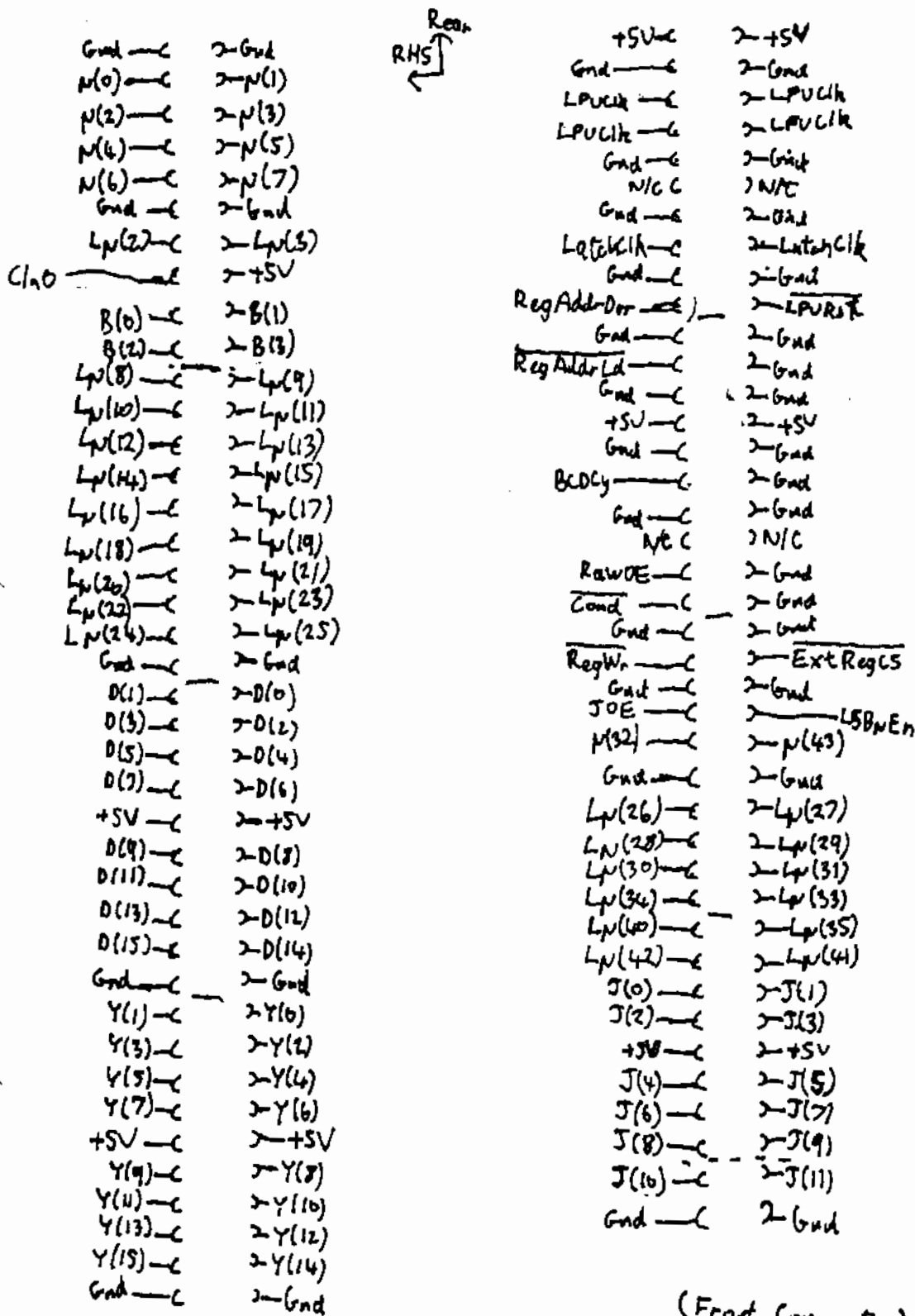
+5V — C —> +5V
 Gnd — C —> Gnd
 LPULik — C —> LPULik
 LPULik — C —> LPULik
 Gnd — C —> Gnd
 CLIK — C —> CLIK
 Gnd — C —> Gnd
 LatchClk — C —> LatchClk
 Gnd — C —> Gnd
 RC(2) — C —> RC(3)
 RC(0) — C —> RC(1)
 YDEC7 — C —> YDEC6
 RA(2) — C —> RA(1)
 RA(0) — C —> RA(1)
 WrLB — C —> WrLB
 BUXy — C —> DLp(33)
 Gnd — C —> Gnd
 RActri — C —> LdXA
 RawOE — C —> QEn
 Cond — C —> LdEn
 Gnd — C —> Gnd
 AMuxIn — C —> RayLdEn
 FEn — C —> Bsel
 JOE — C —> LSBpEn
 P(32) — C —> P(43)
 Gnd — C —> Gnd
 Lp(26) — C —> Lp(27)
 Lp(29) — C —> Lp(29)
 Lp(30) — C —> Lp(31)
 KFig — (Key) — C —> Sel2
 Lp(40) — C —> Sel3
 Lp(42) — C —> Lp(41)
 J(0) — C —> J(1)
 J(2) — C —> J(3)
 +5V — C —> +5V
 J(4) — C —> J(5)
 J(6) — C —> J(7)
 J(8) — C —> J(9)
 J(10) — C —> J(11)
 Gnd — C —> Gnd

(Front Connector)

Data Path PCB

09845-66537

HP9845 High Speed Language Processor



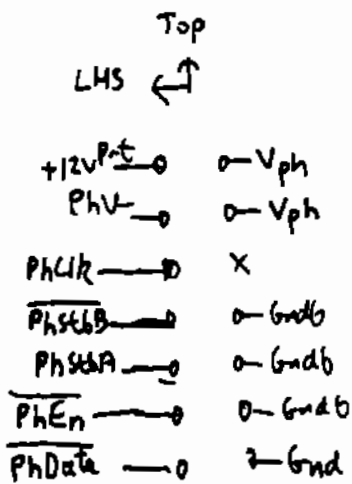
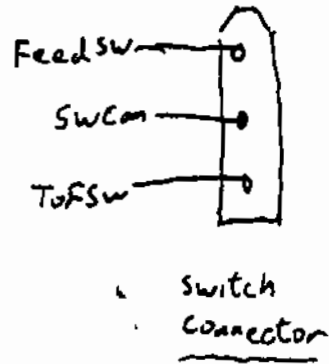
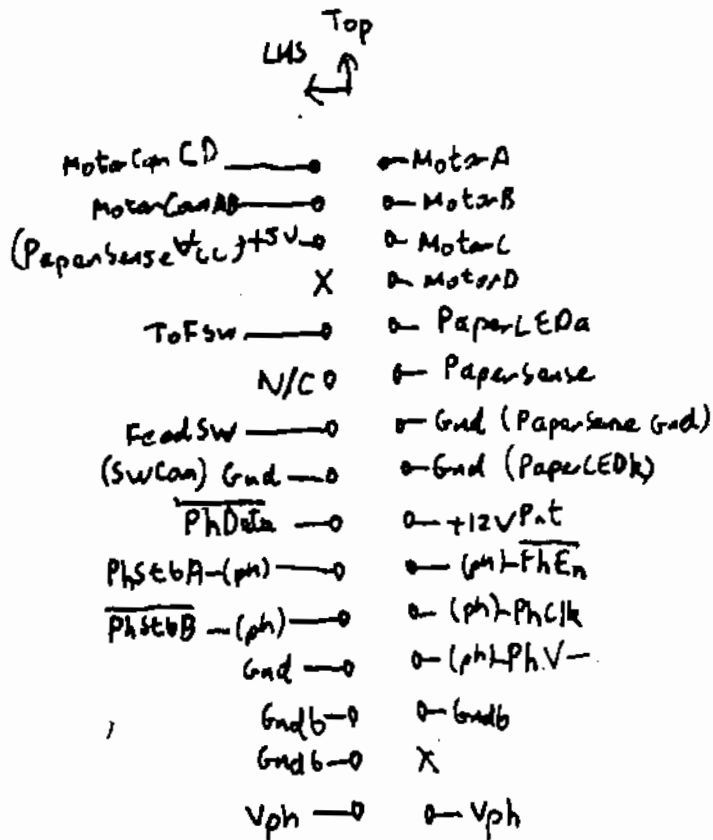
(Rear Connector)

(Front Connector)

Control PCB

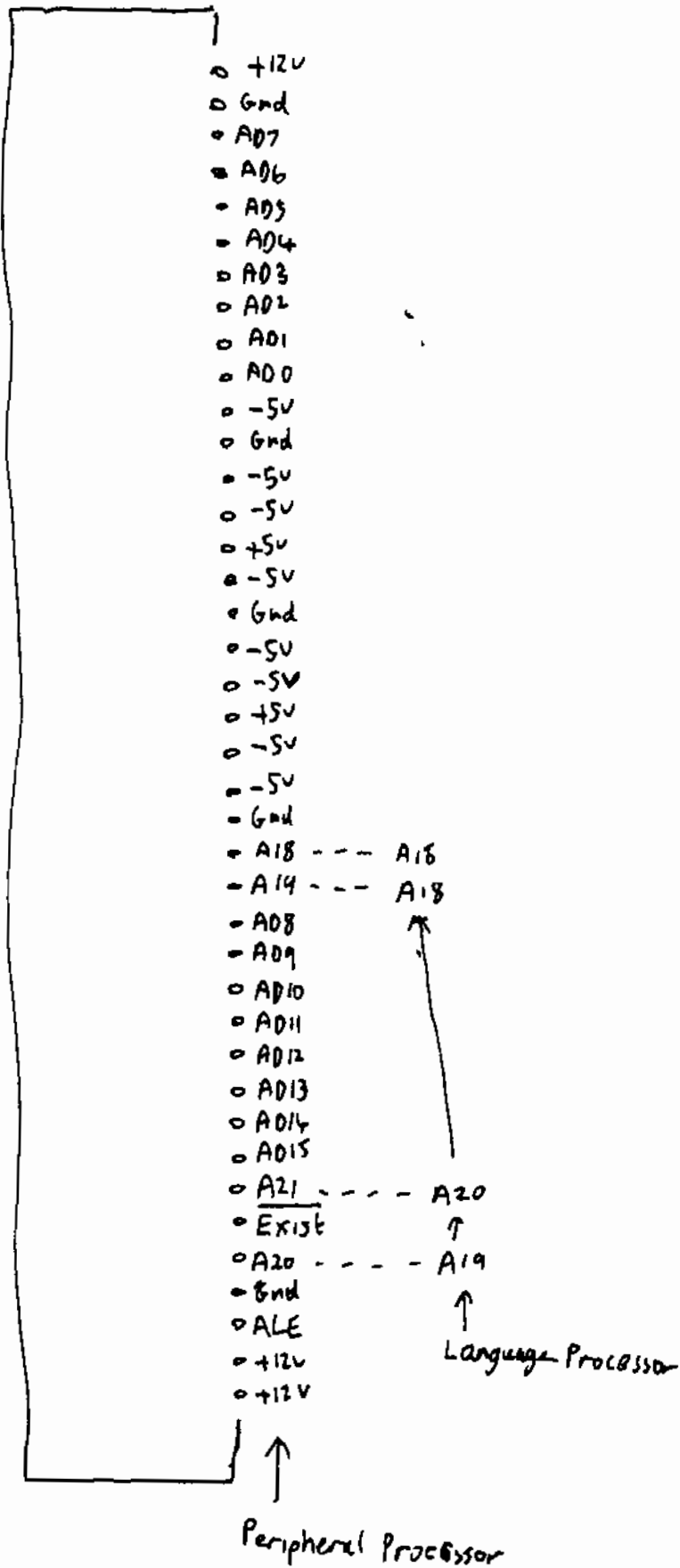
09845-66538

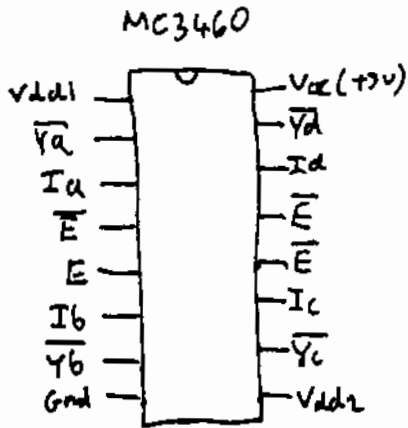
9845 Printer



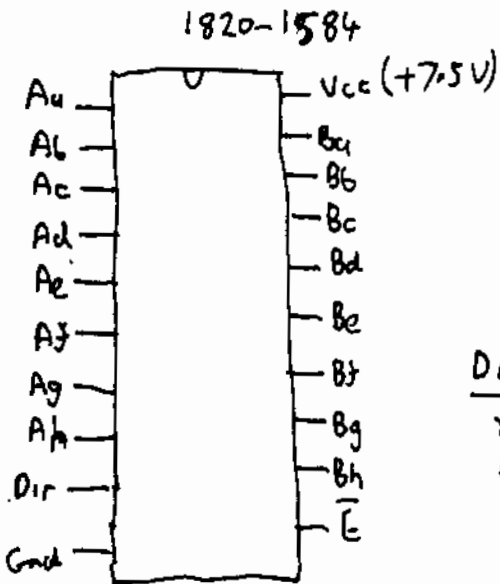
Printhead Connector

HP9845 ROM Module
 (Connection face side)





Quad Driver



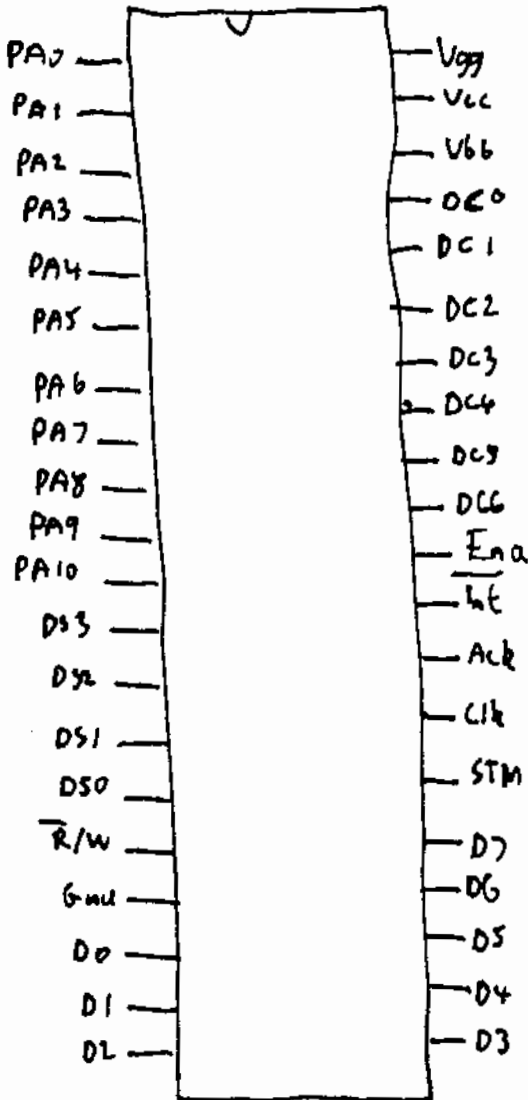
Dir	\bar{E}	
X	H	High Z A, B
H	L	B → A
L	L	A → B

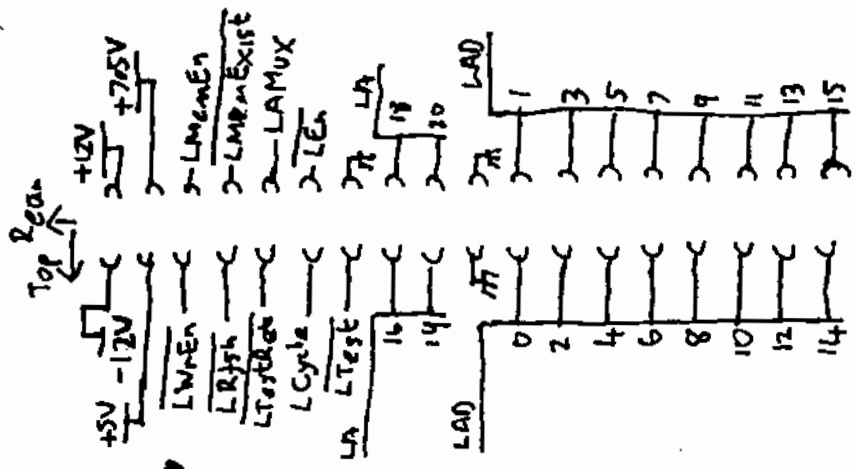
Octal Inverting Transceiver

9845

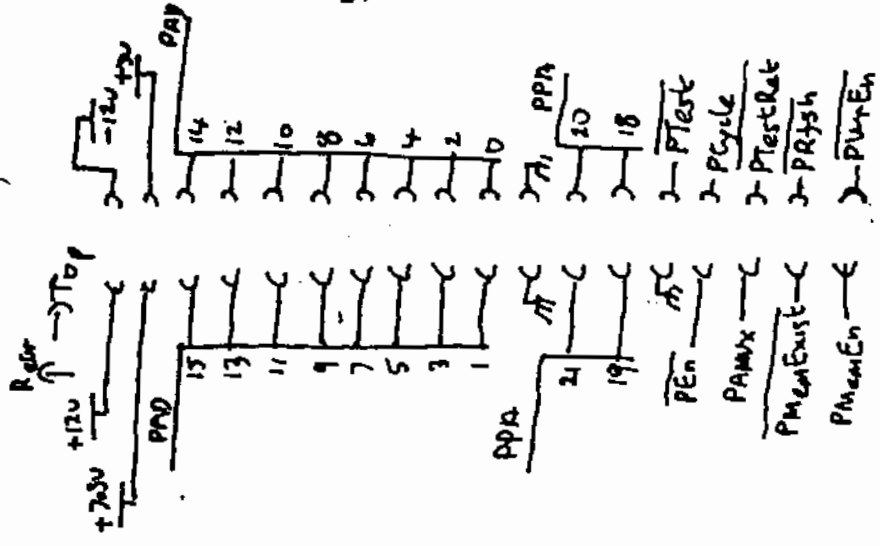
1820-1642

Nanocontroller

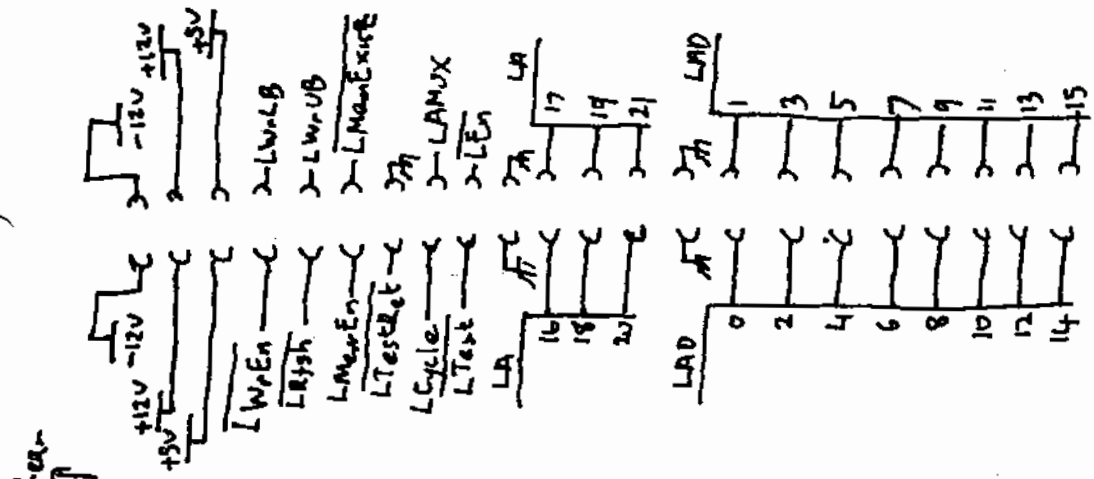




RH ROM Drawer

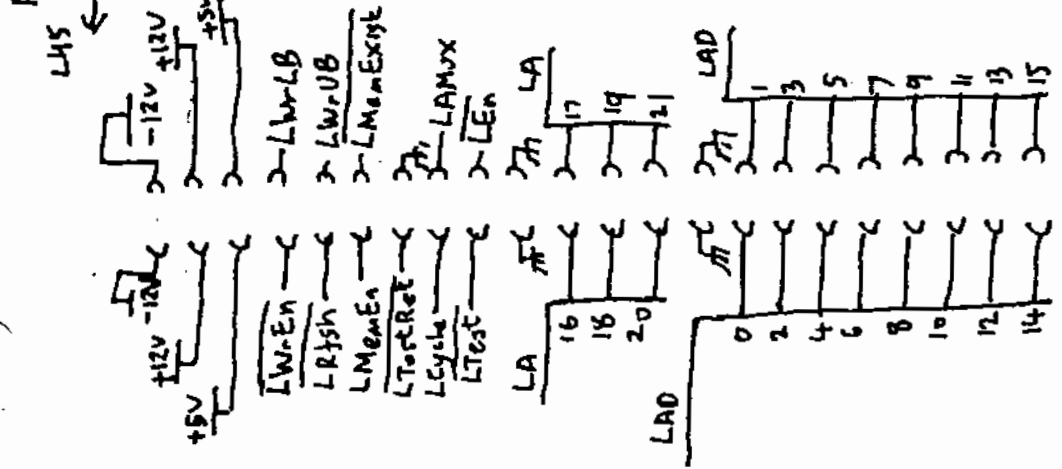


LH ROM Drawer



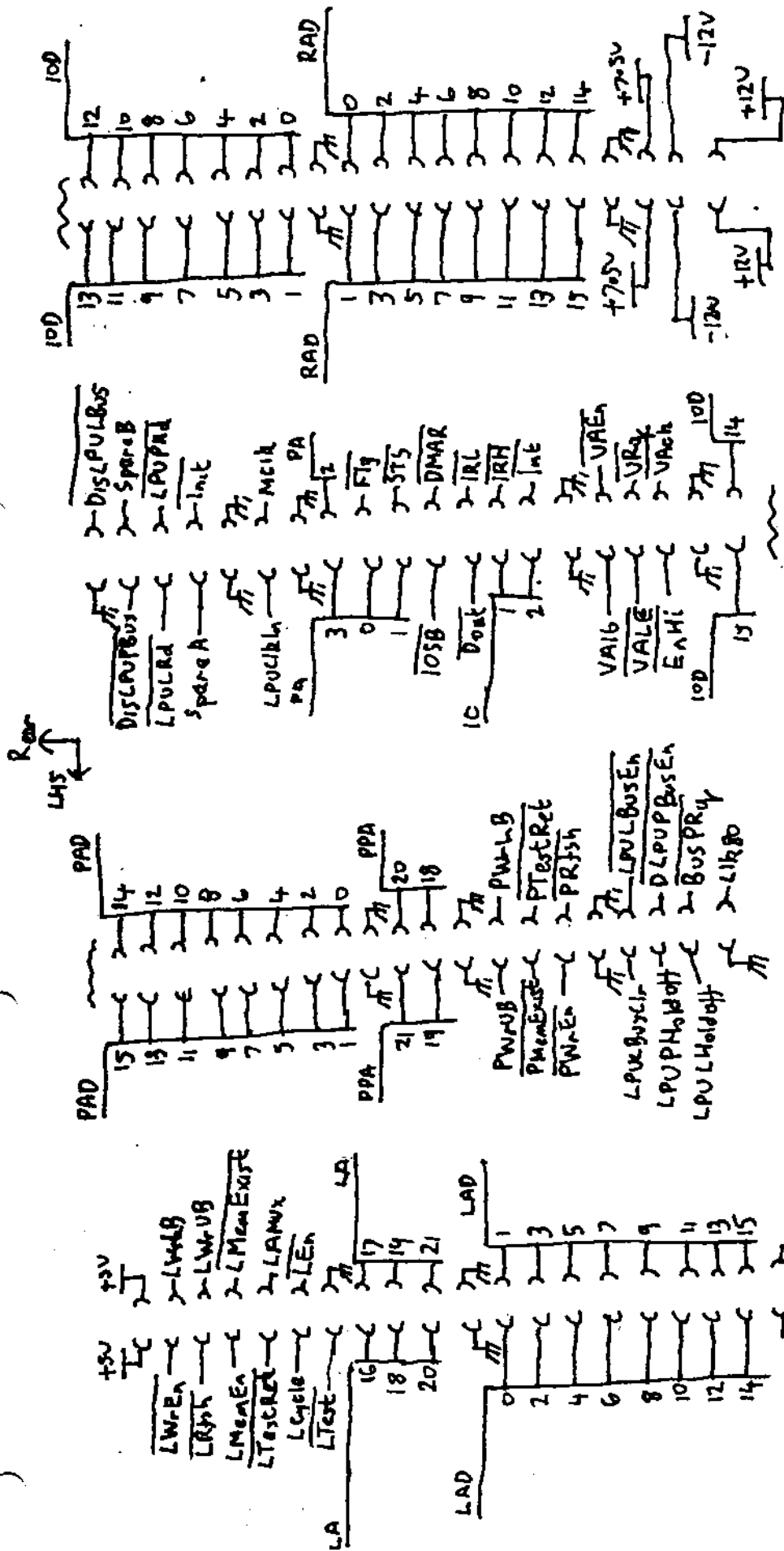
LPU ROM/RAM

09845-66546



LPU Memory

09845-66590
(Typical of 3)

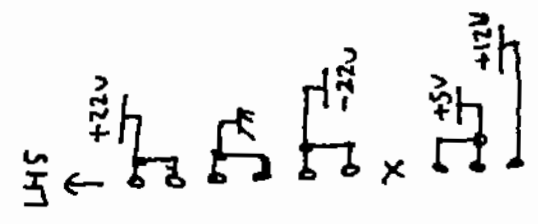
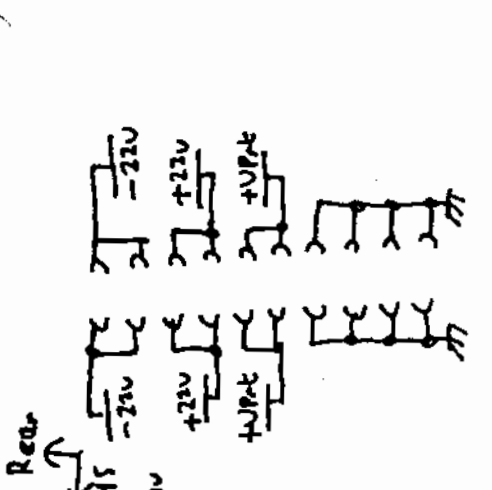
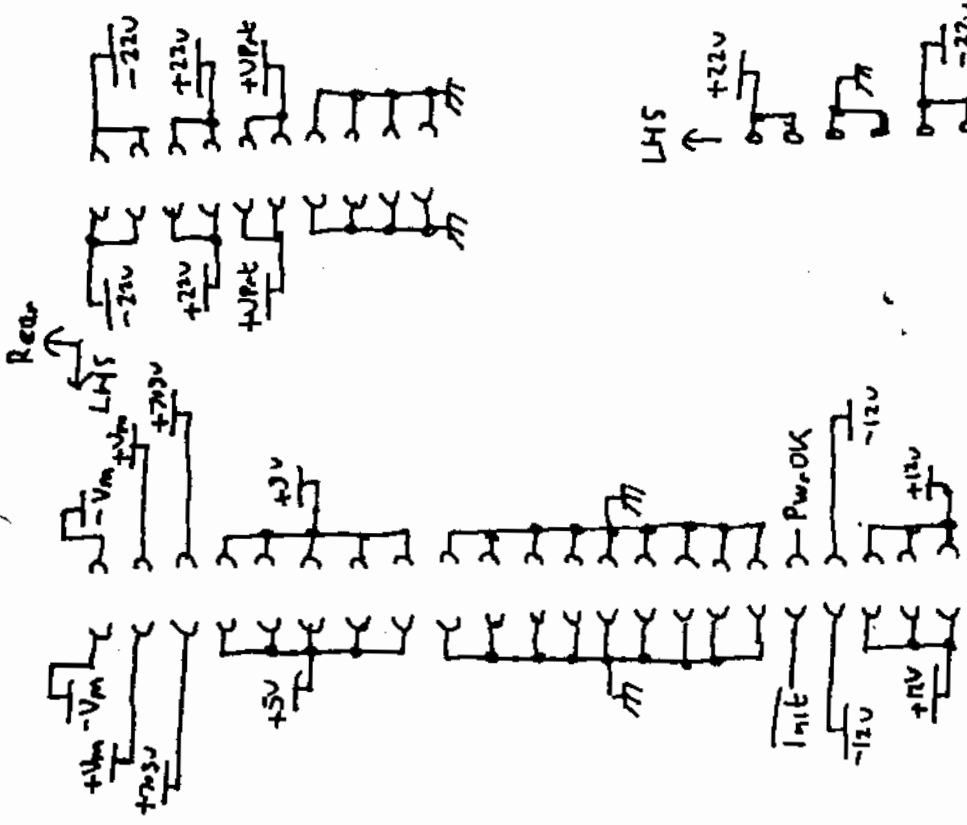
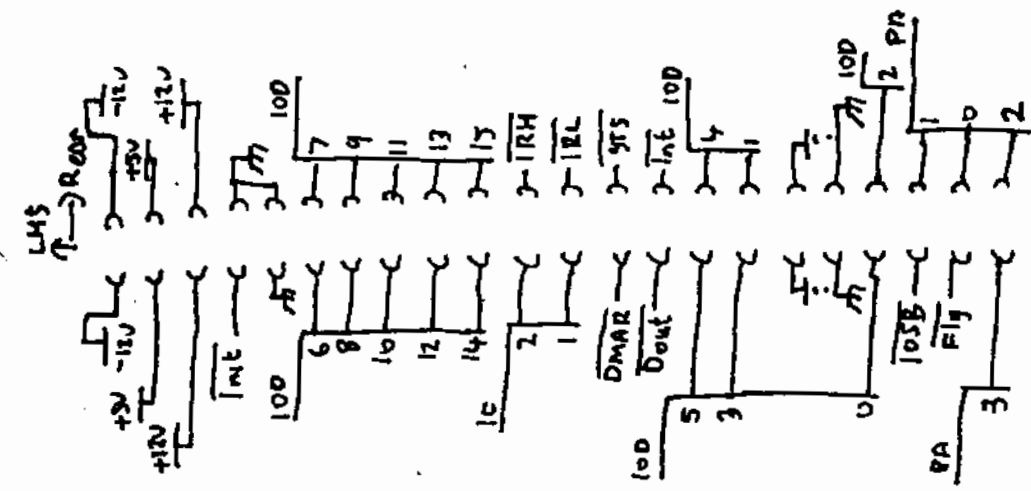
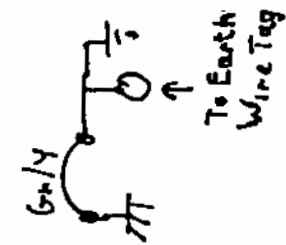
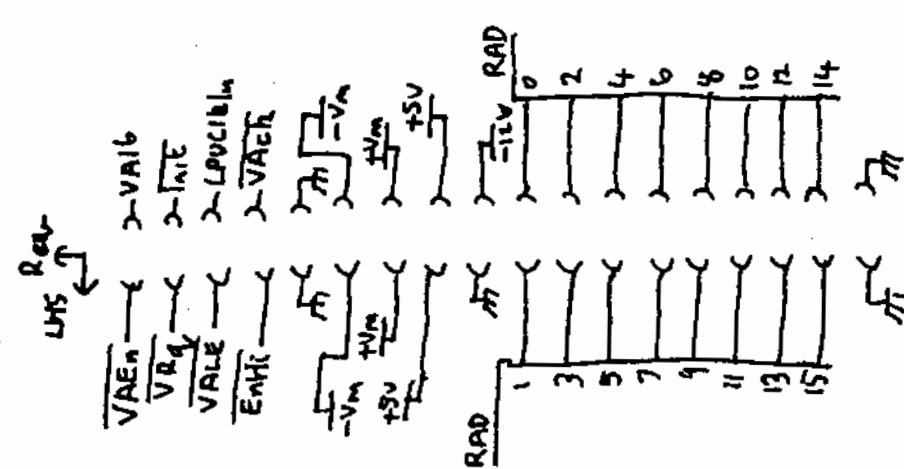


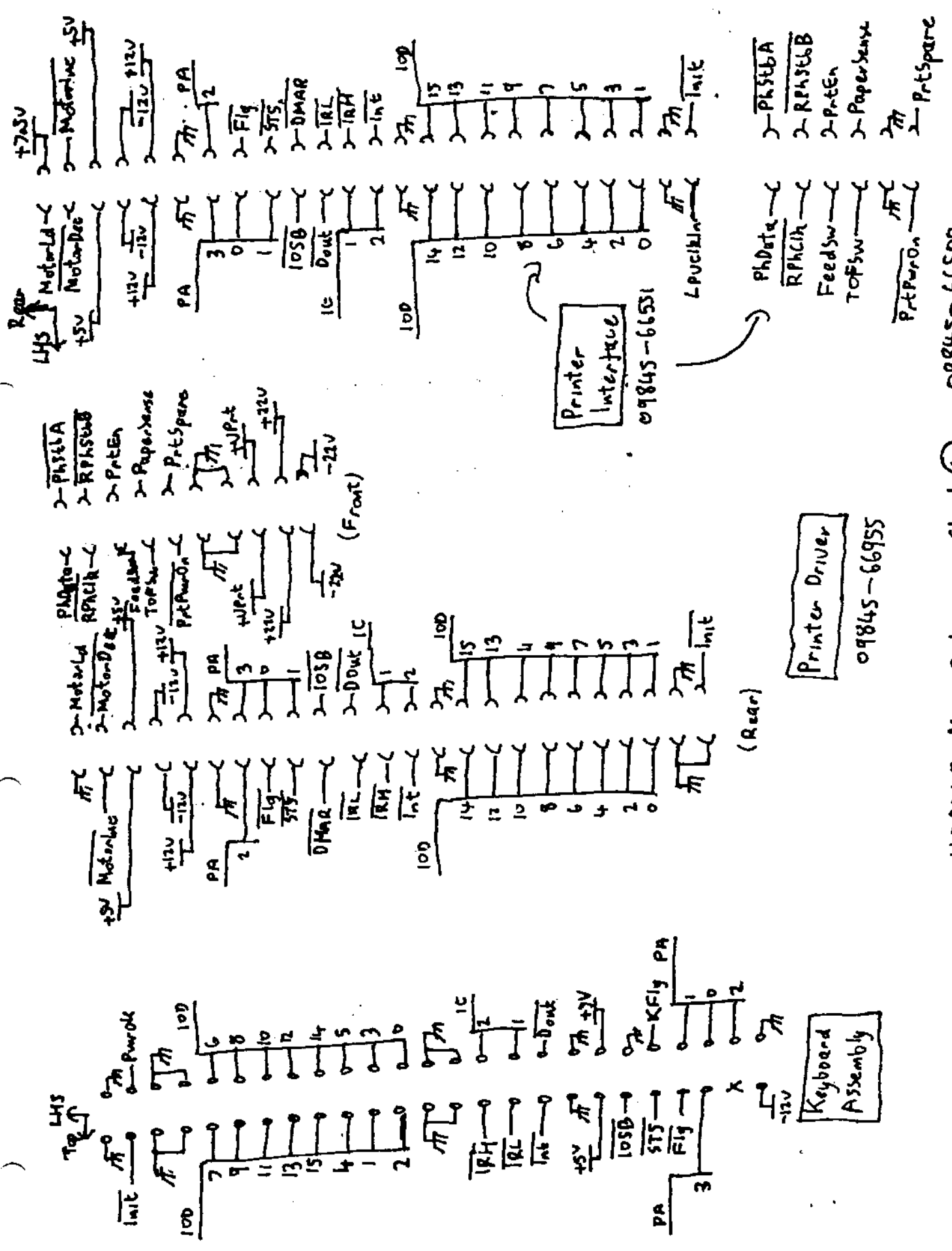
(Front)

(Rear)

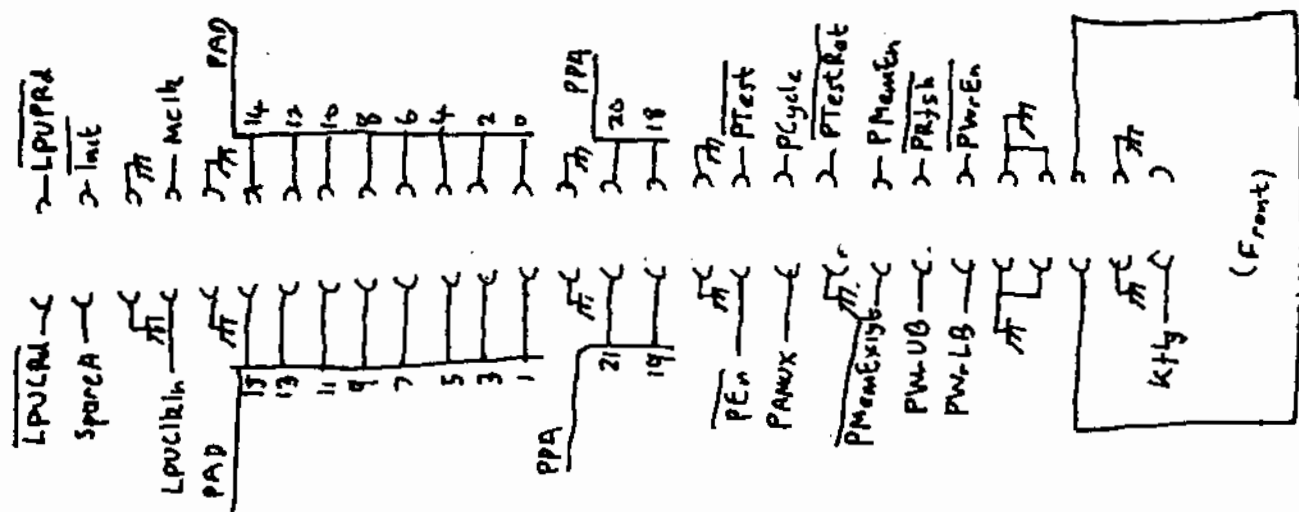
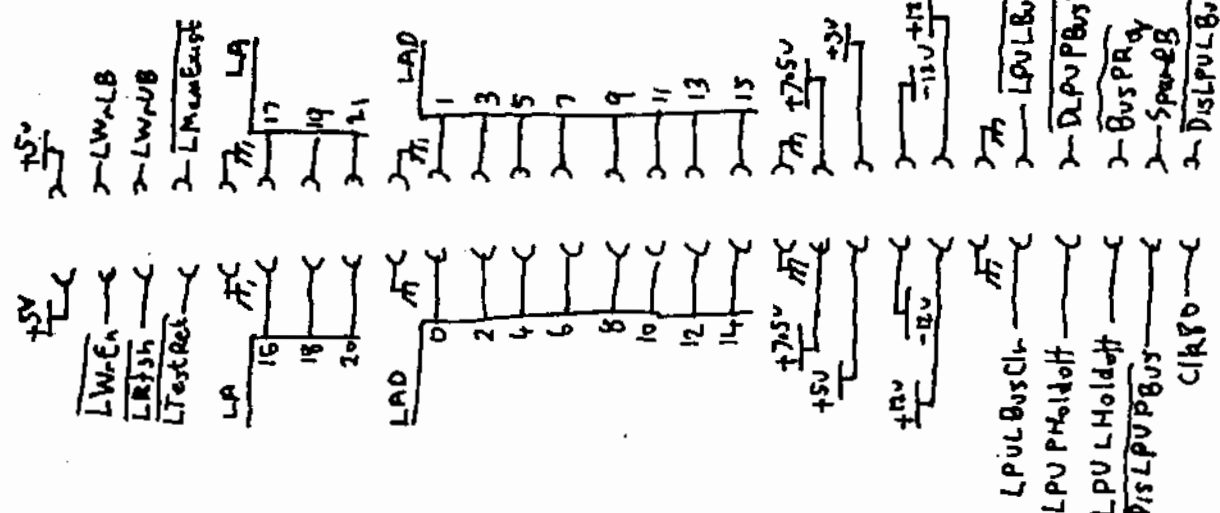
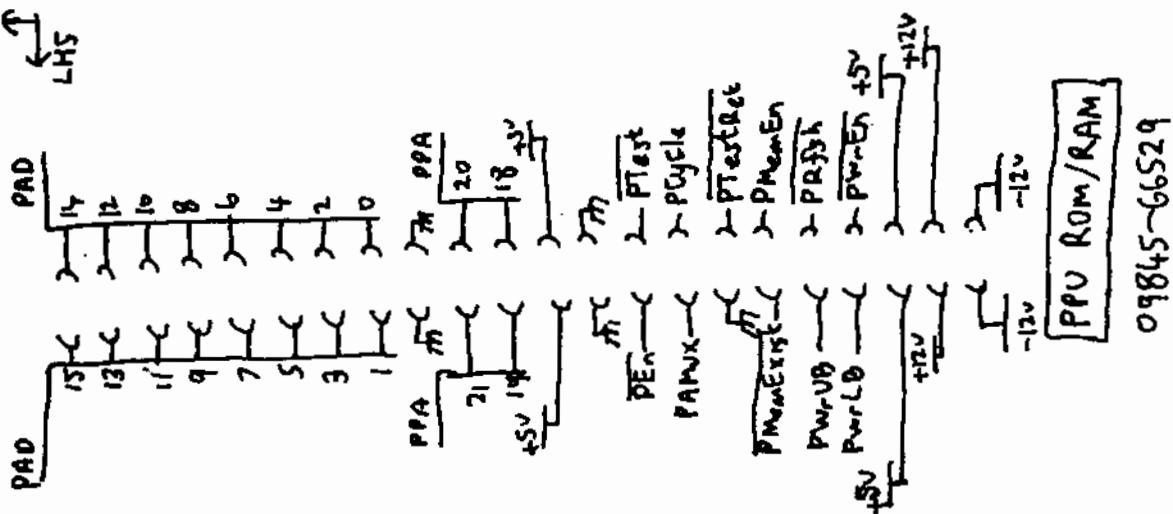
Peripheral Processor

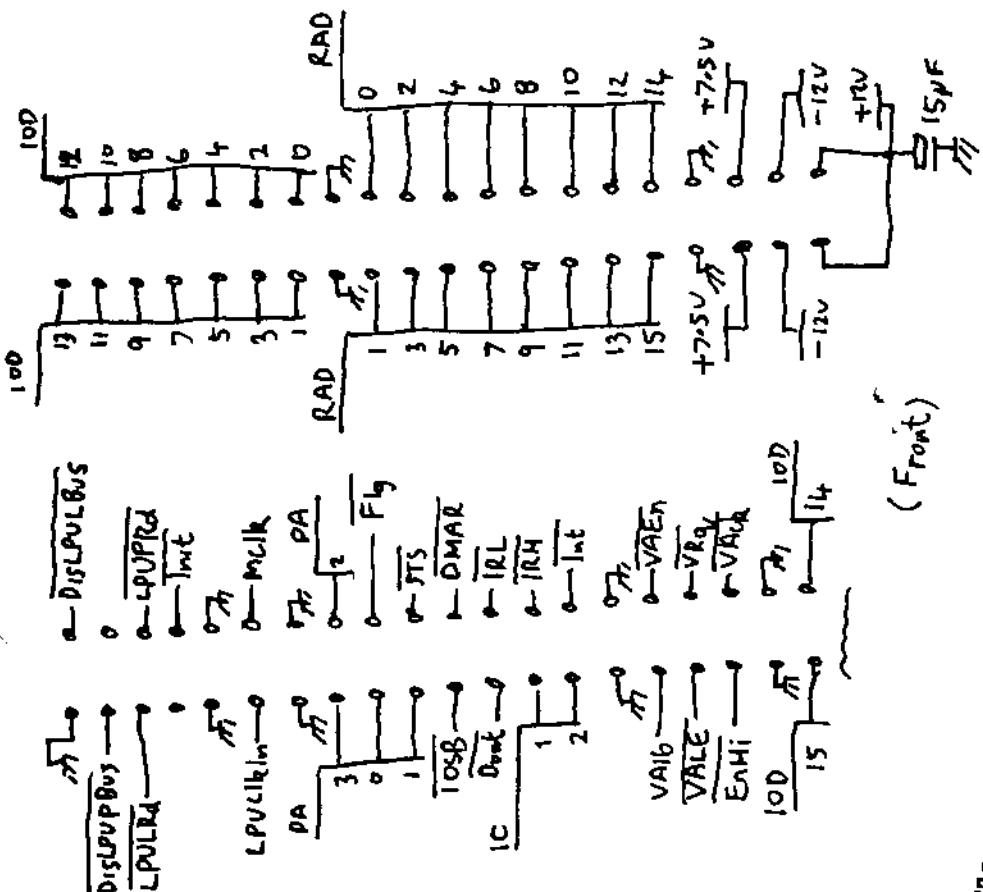
09845-66516



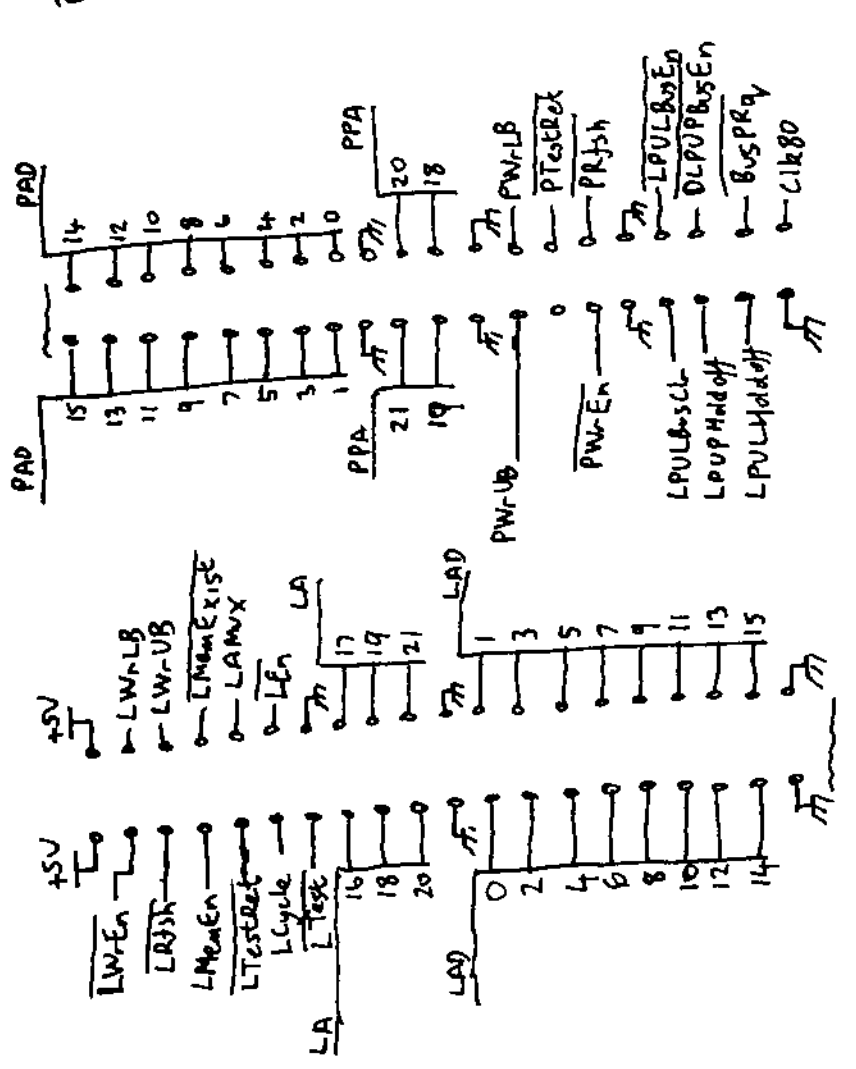


Rear
LHS

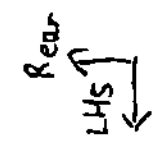




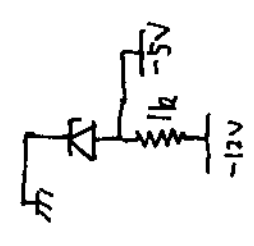
(Front)

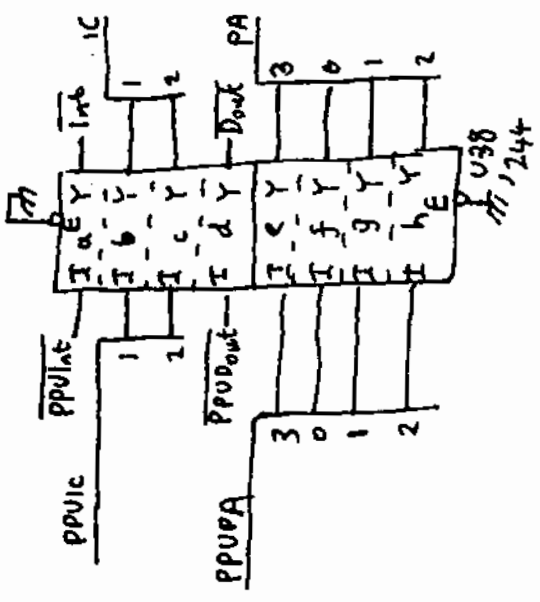
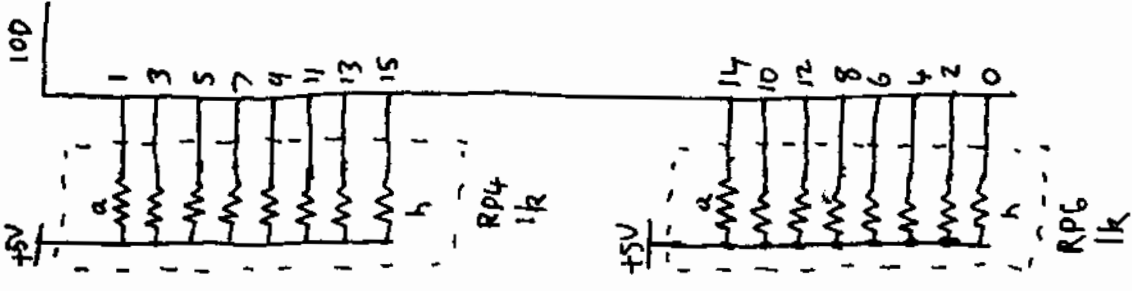


(Rear)

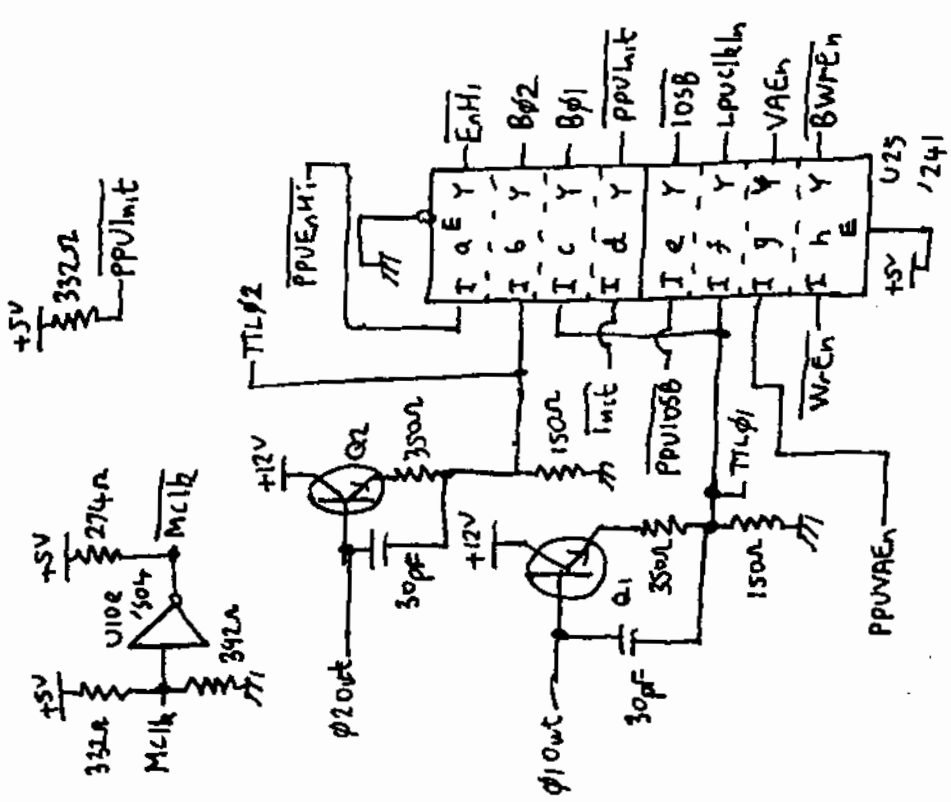


Main Backplane Connectors

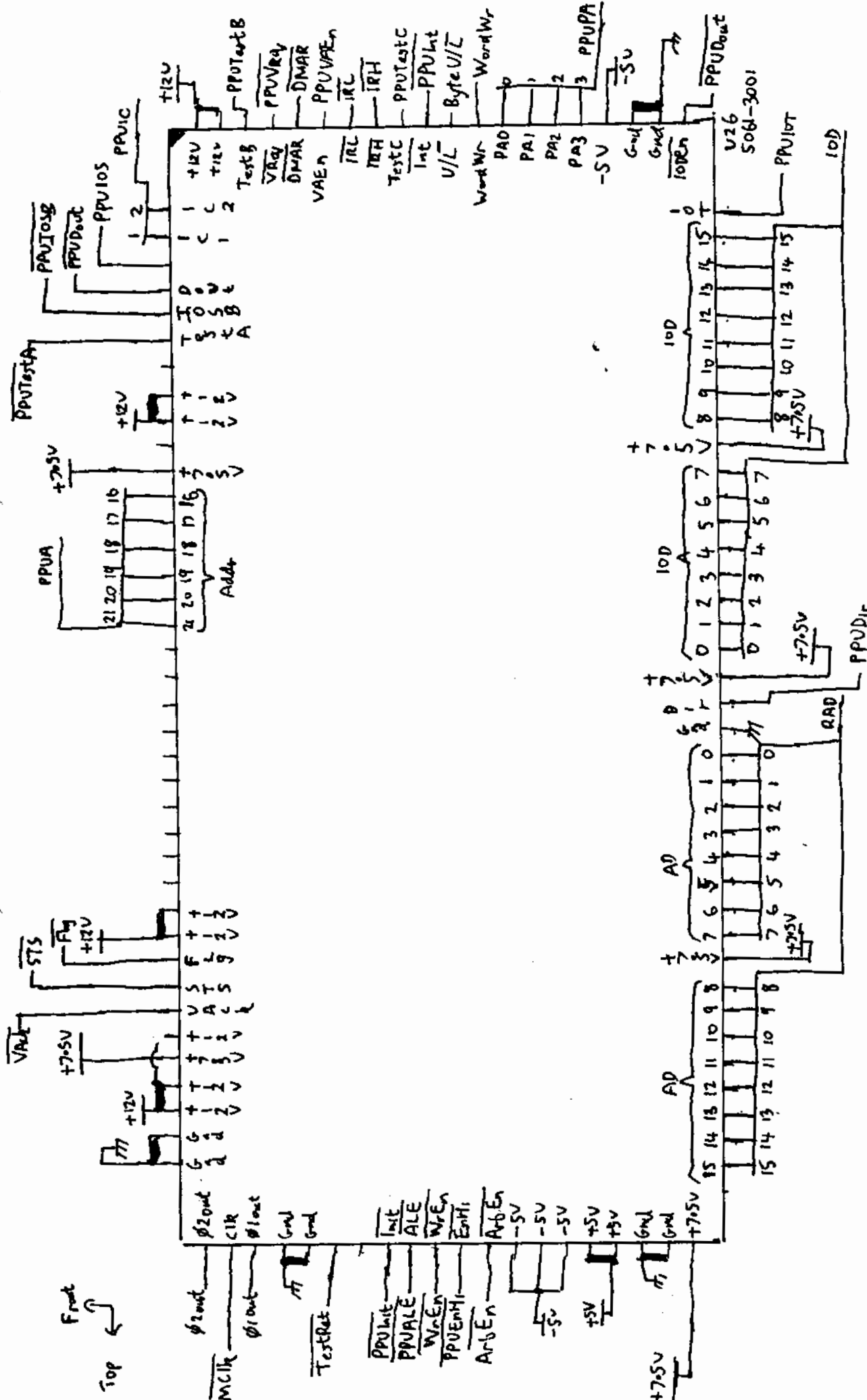




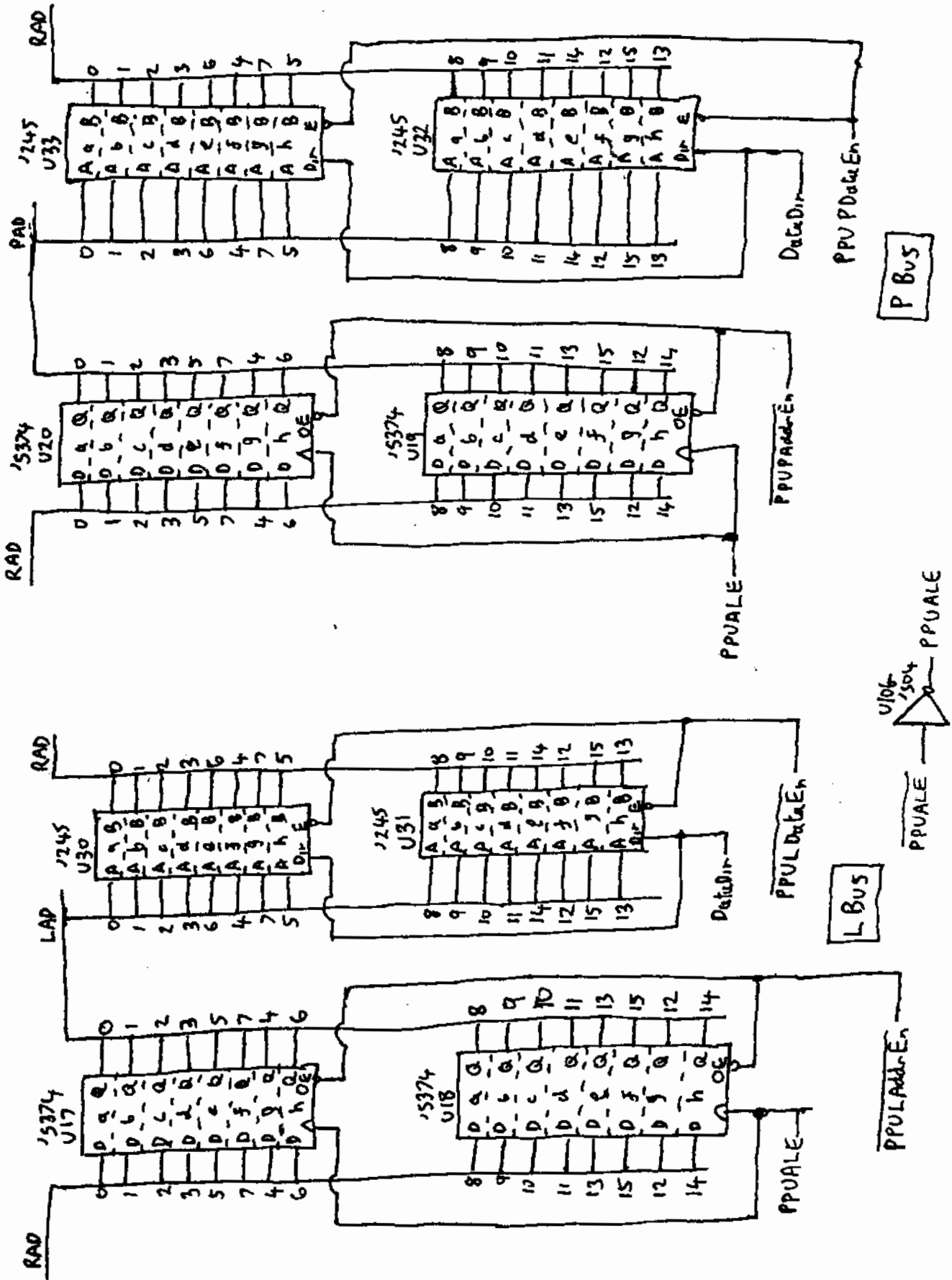
I/O Bus

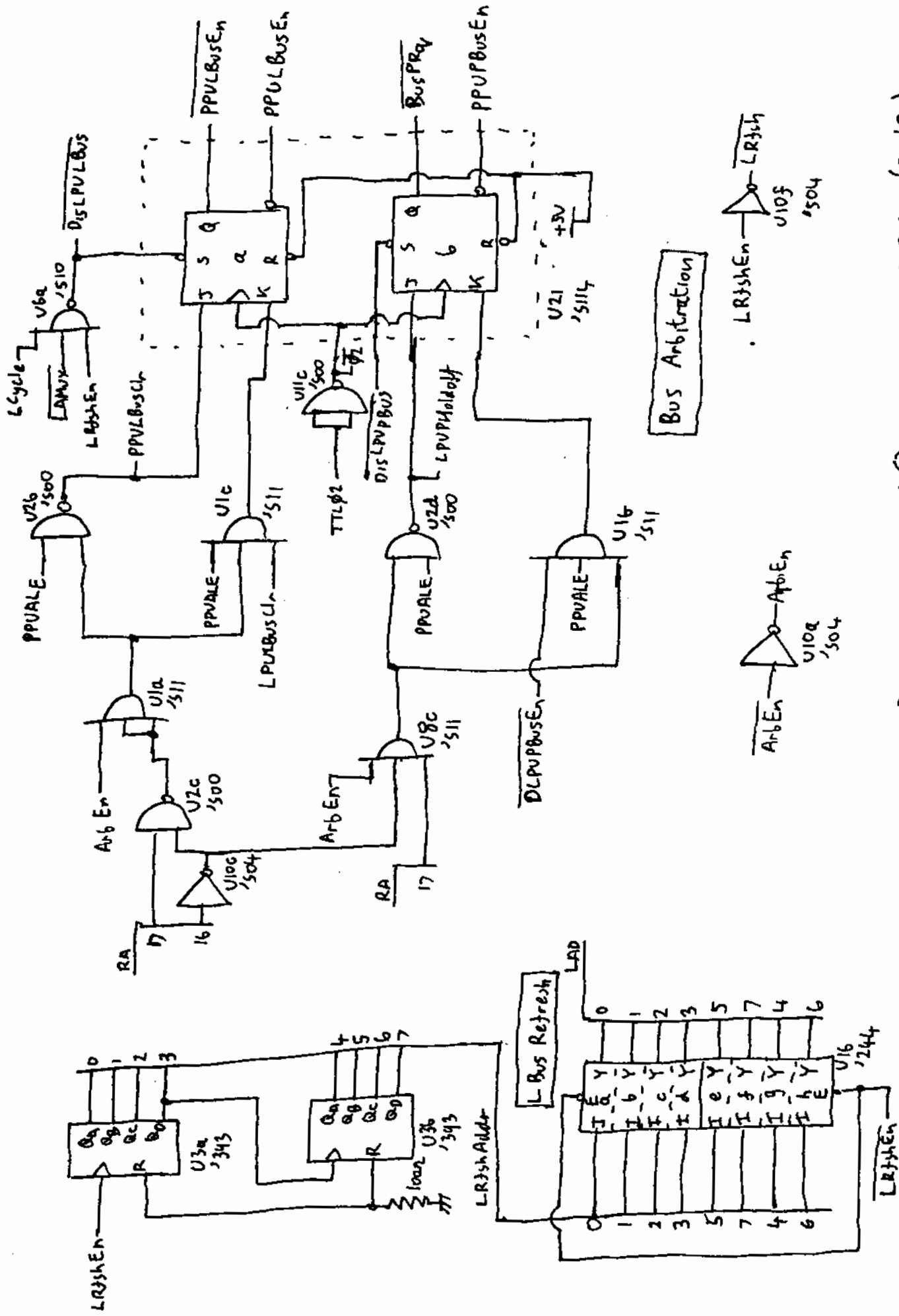


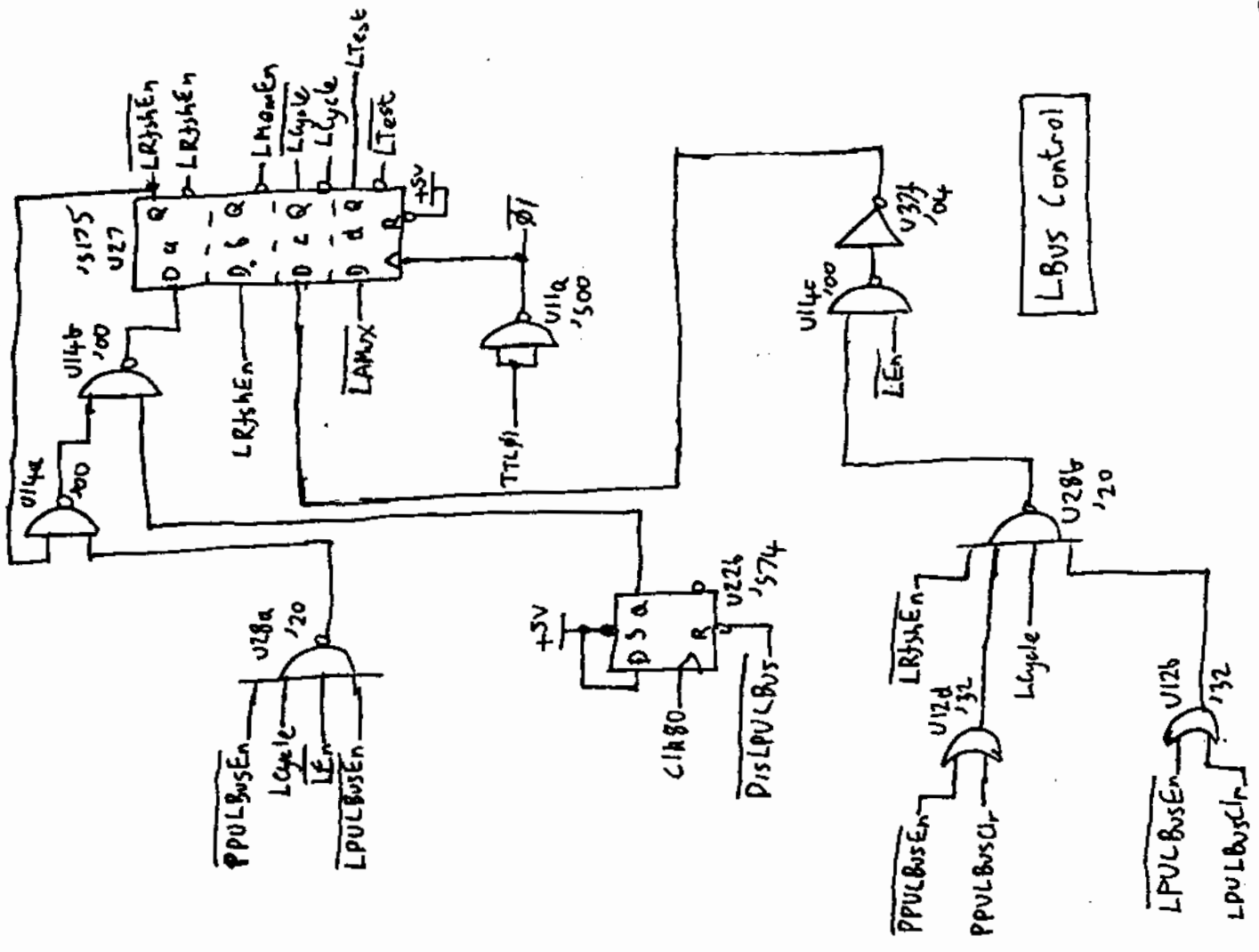
Clock Buffers



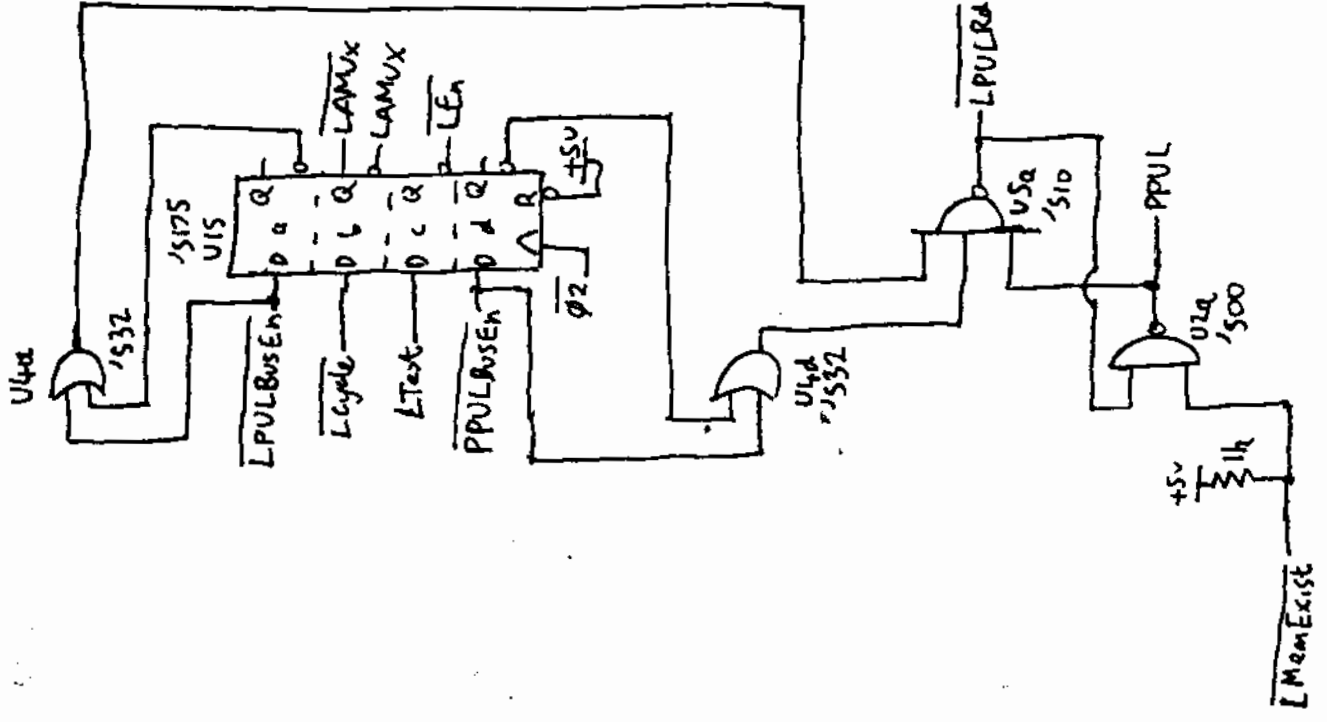
PPU Hybrid

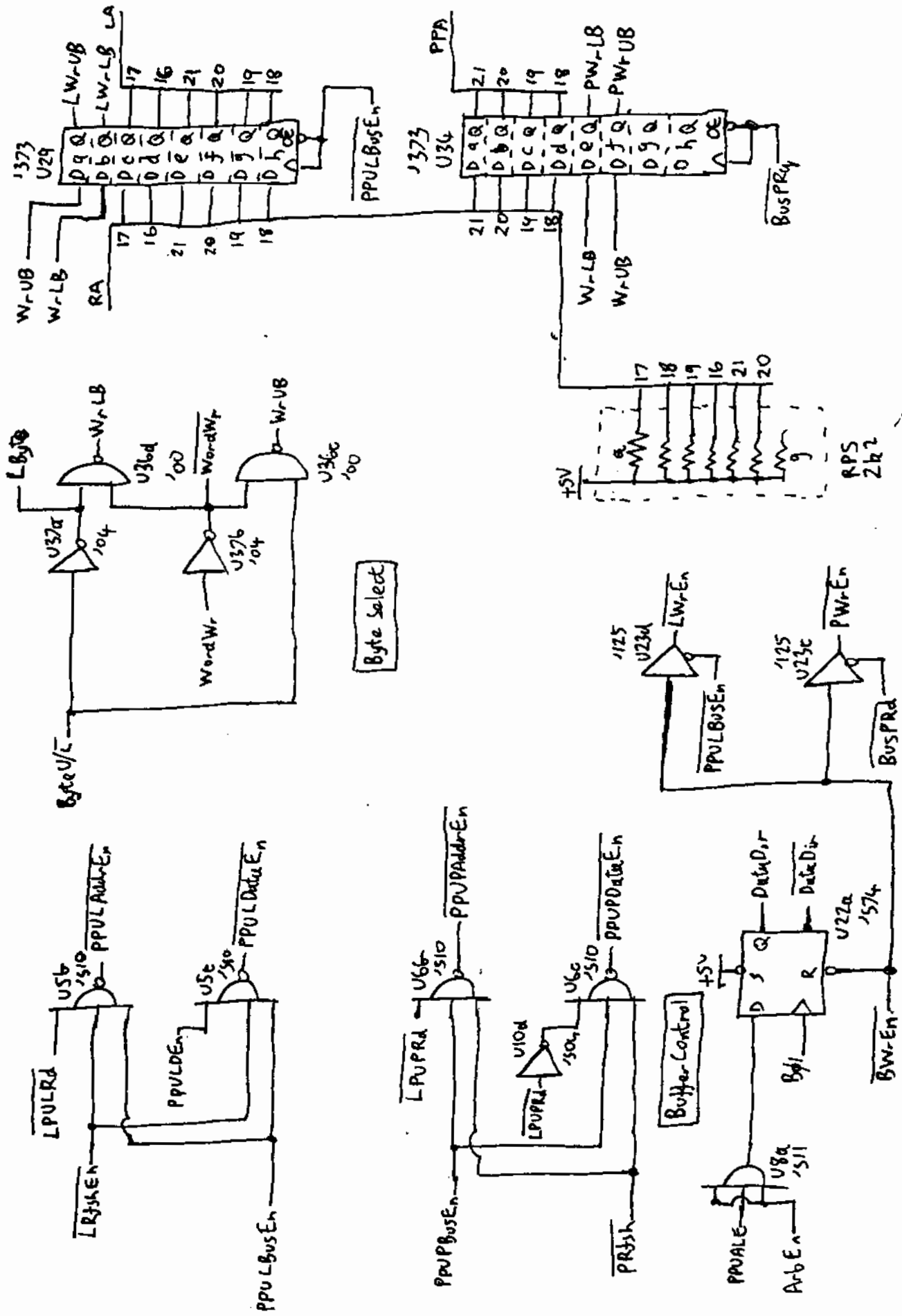




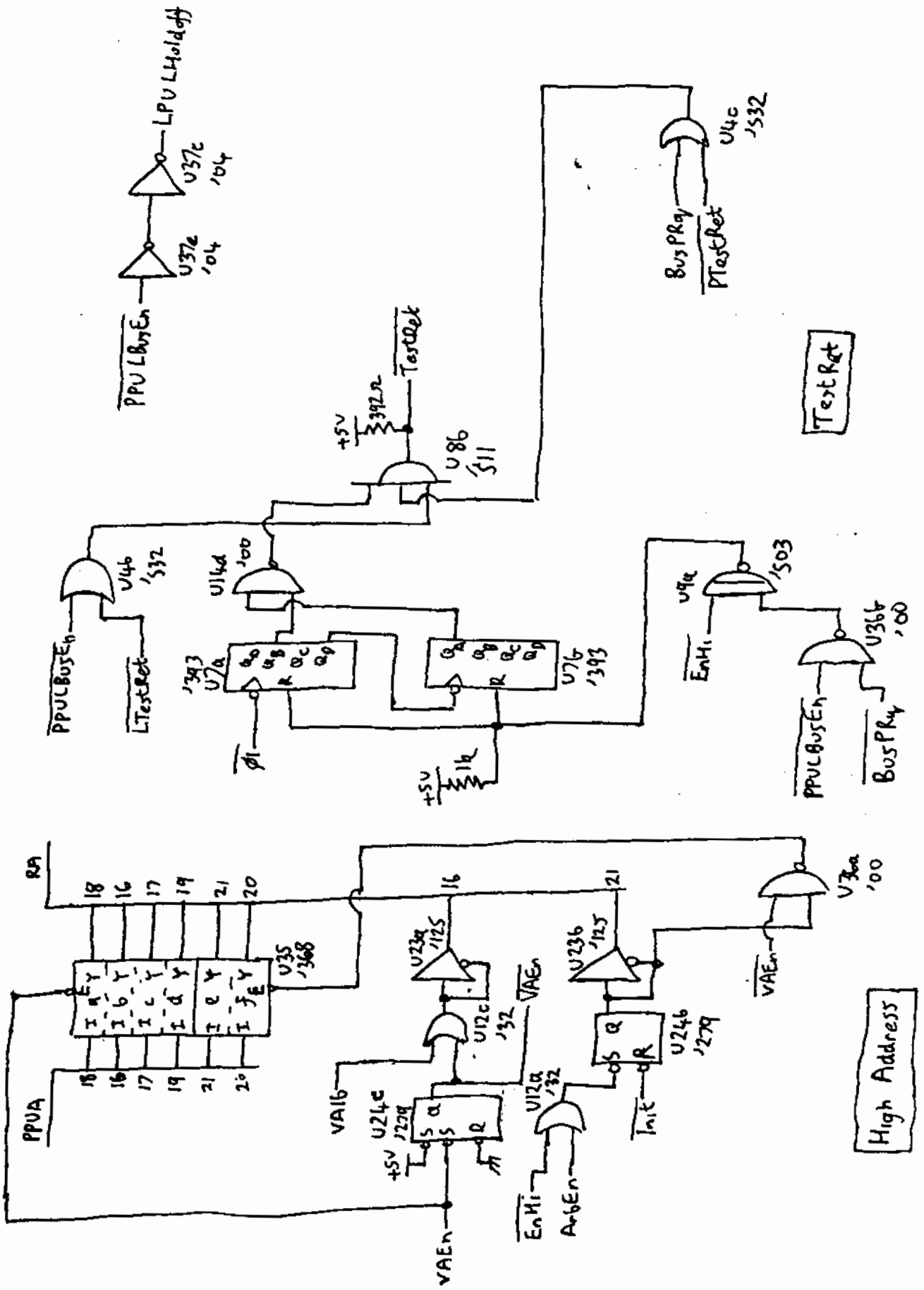


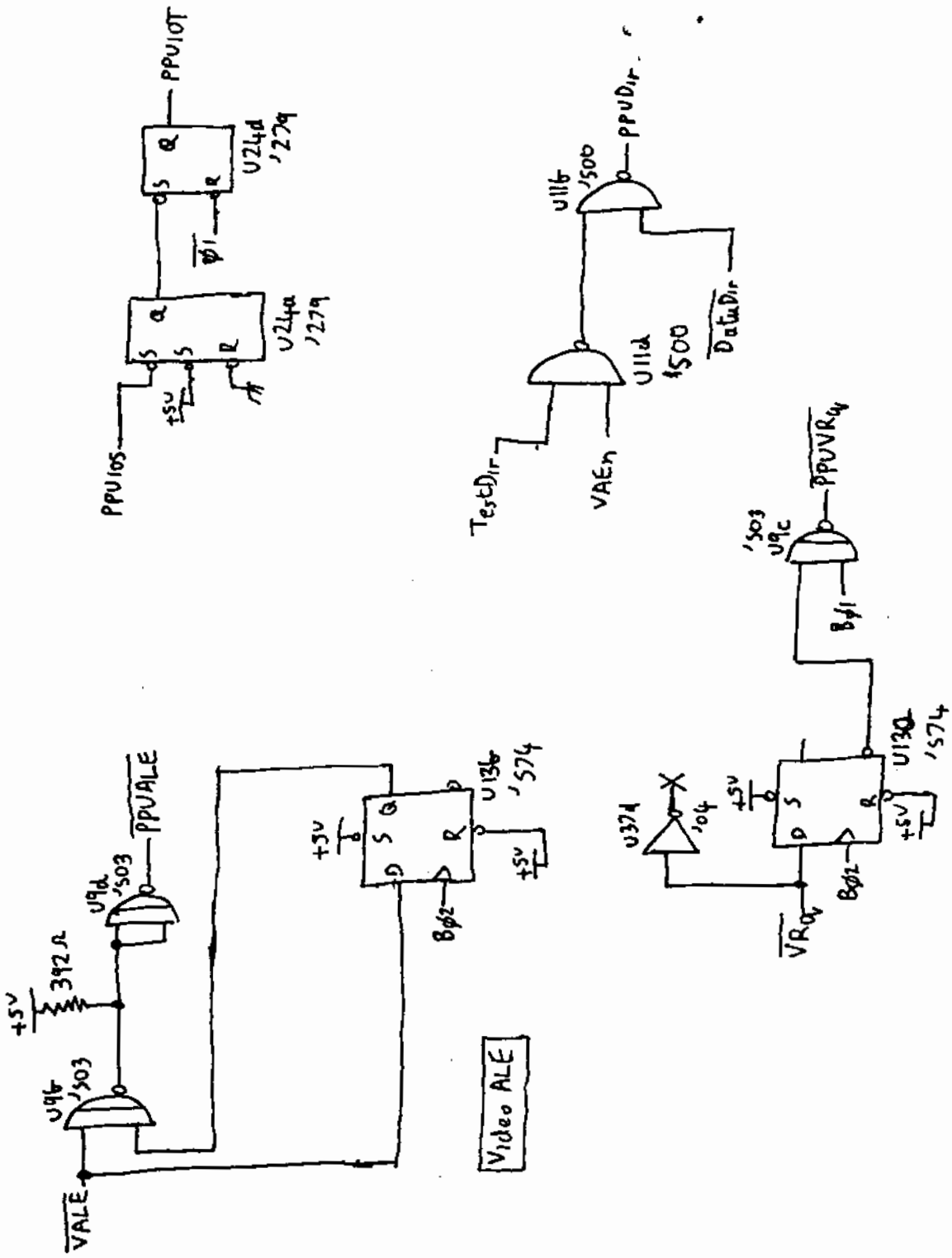
HP9845 Peripheral Processor PCB sheet 6 09845-66516 (Br/Bu)

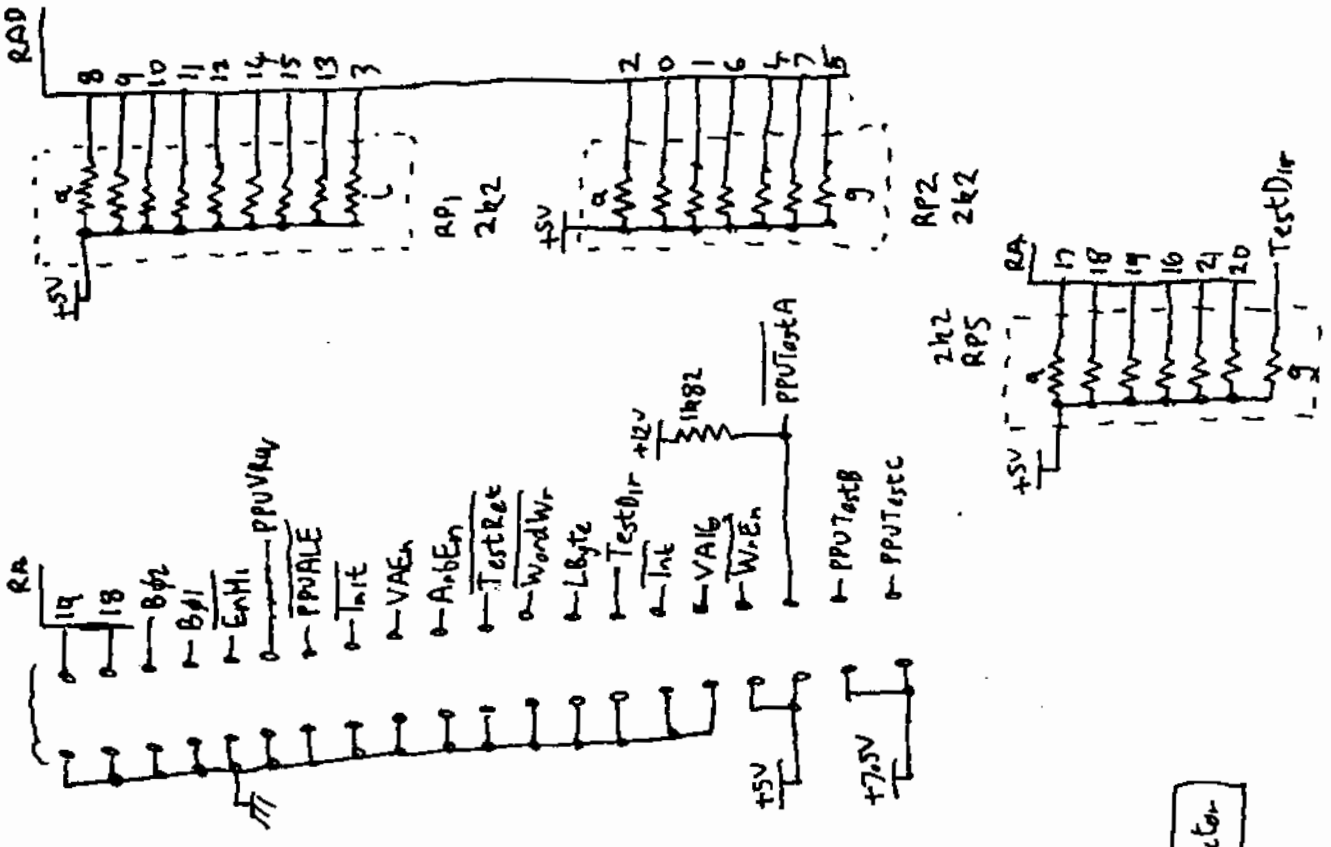
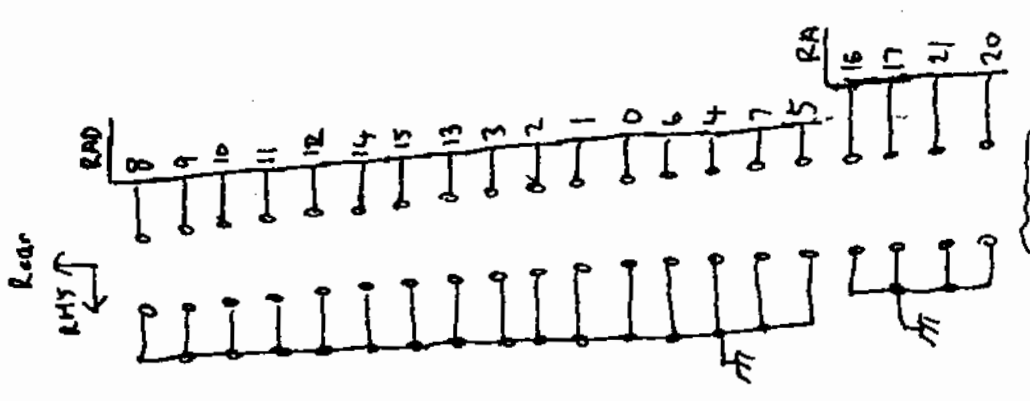




HP9845 Peripheral Processor PCB Sheet 7 09845-66516 (B-18u)

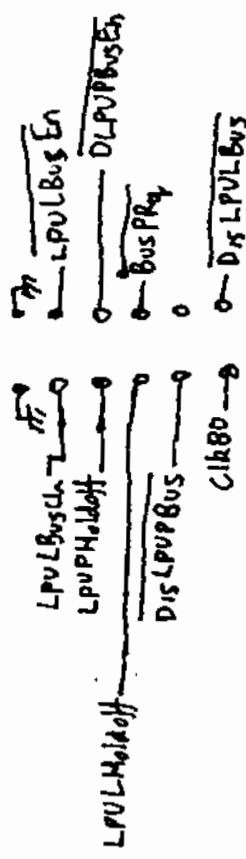
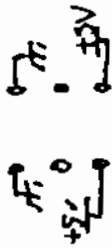
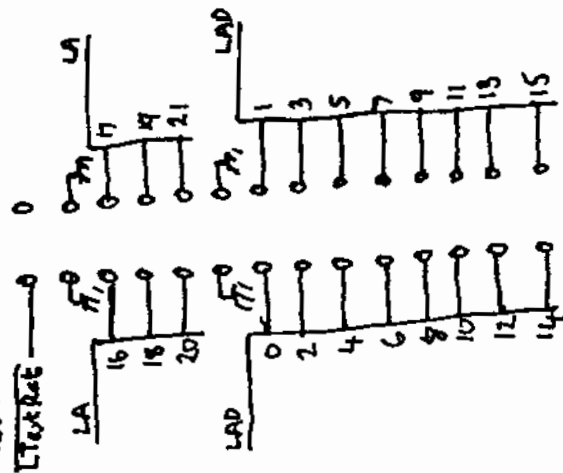
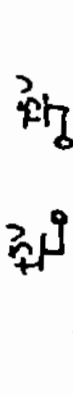




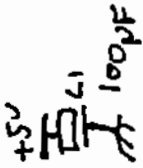
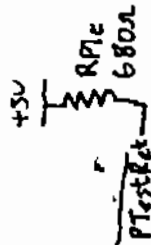
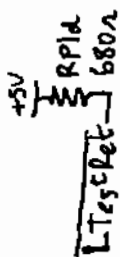
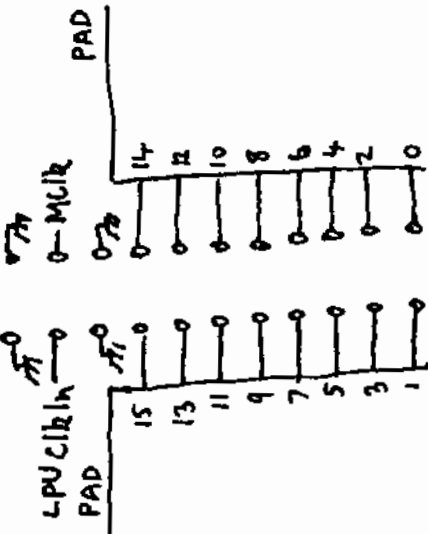
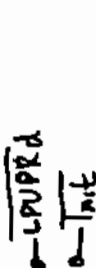


Test Connector

Row

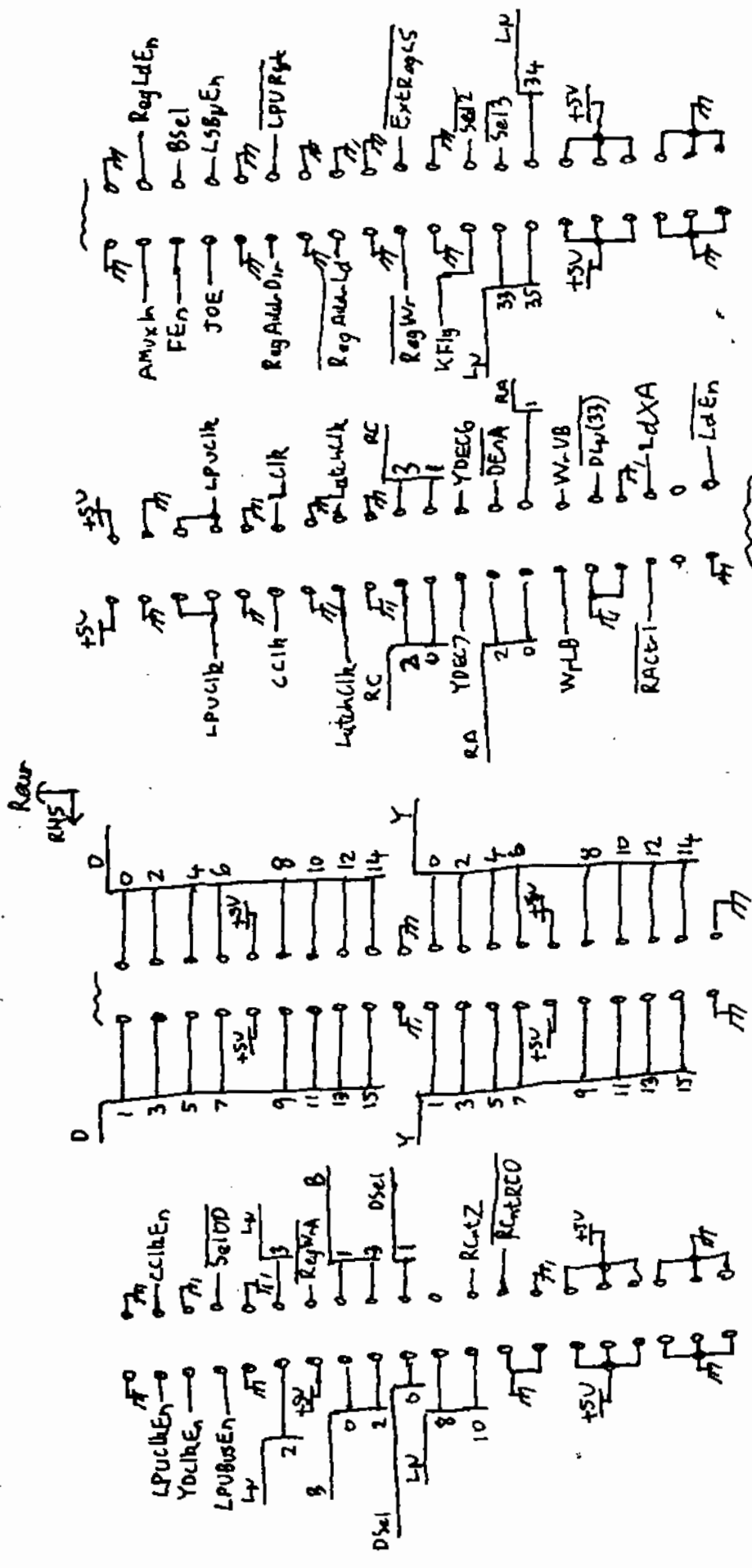


P2
(Rear Connector)



(Front Connector)

Main Backplane Connections



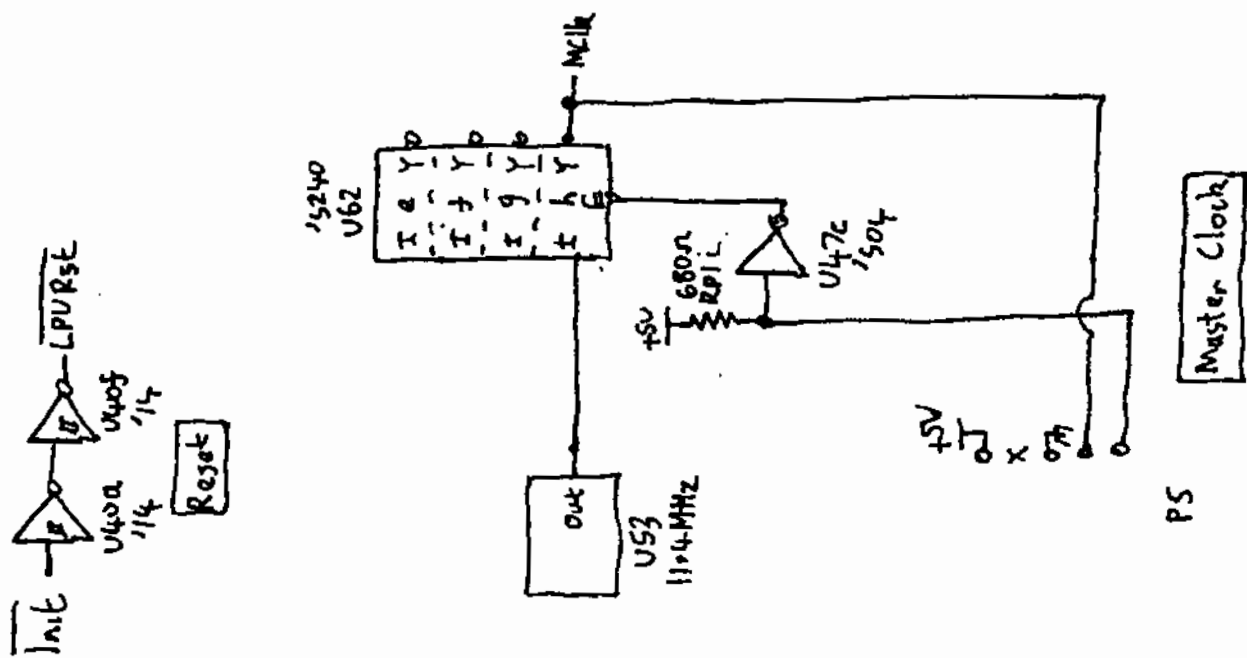
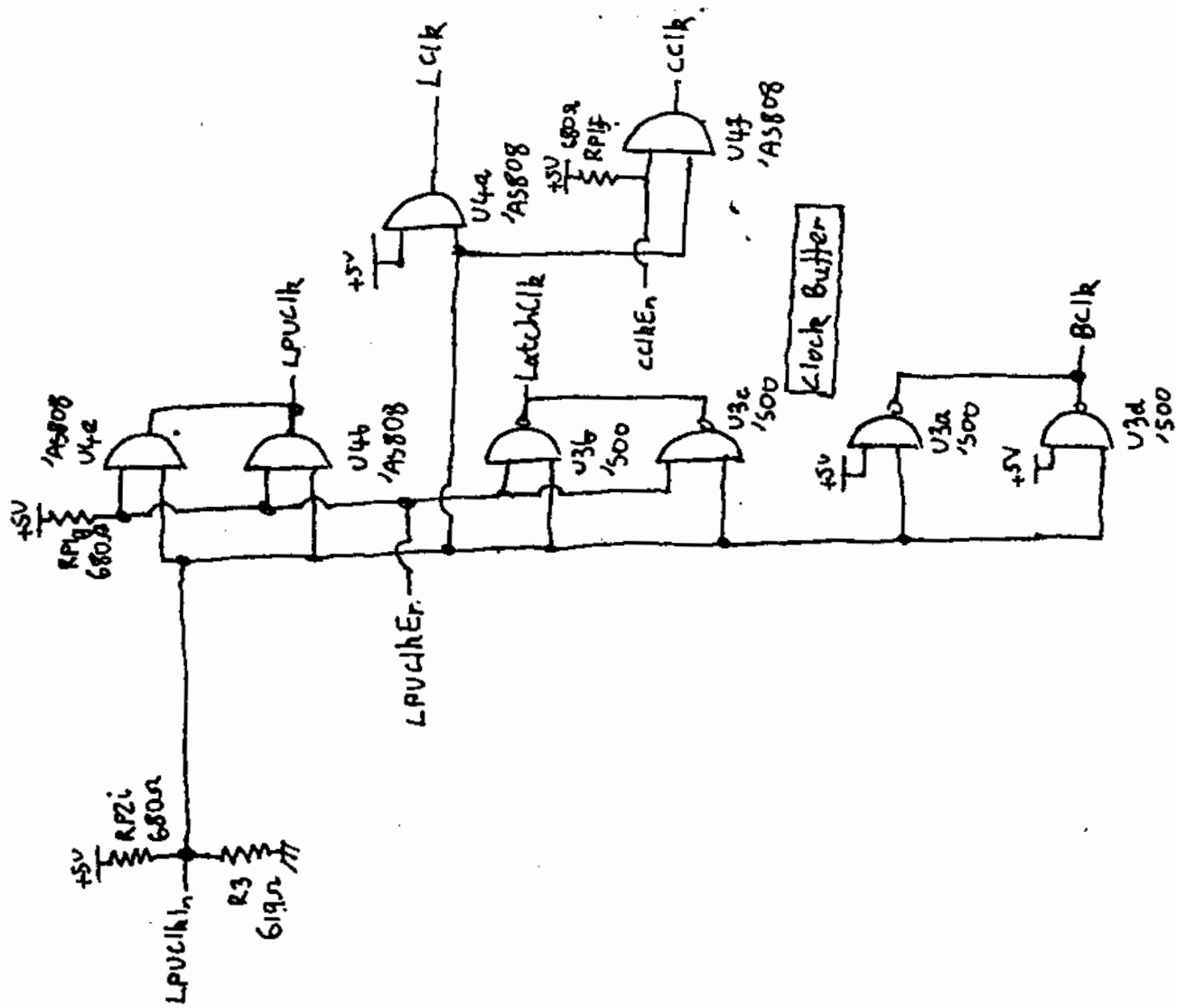
P4

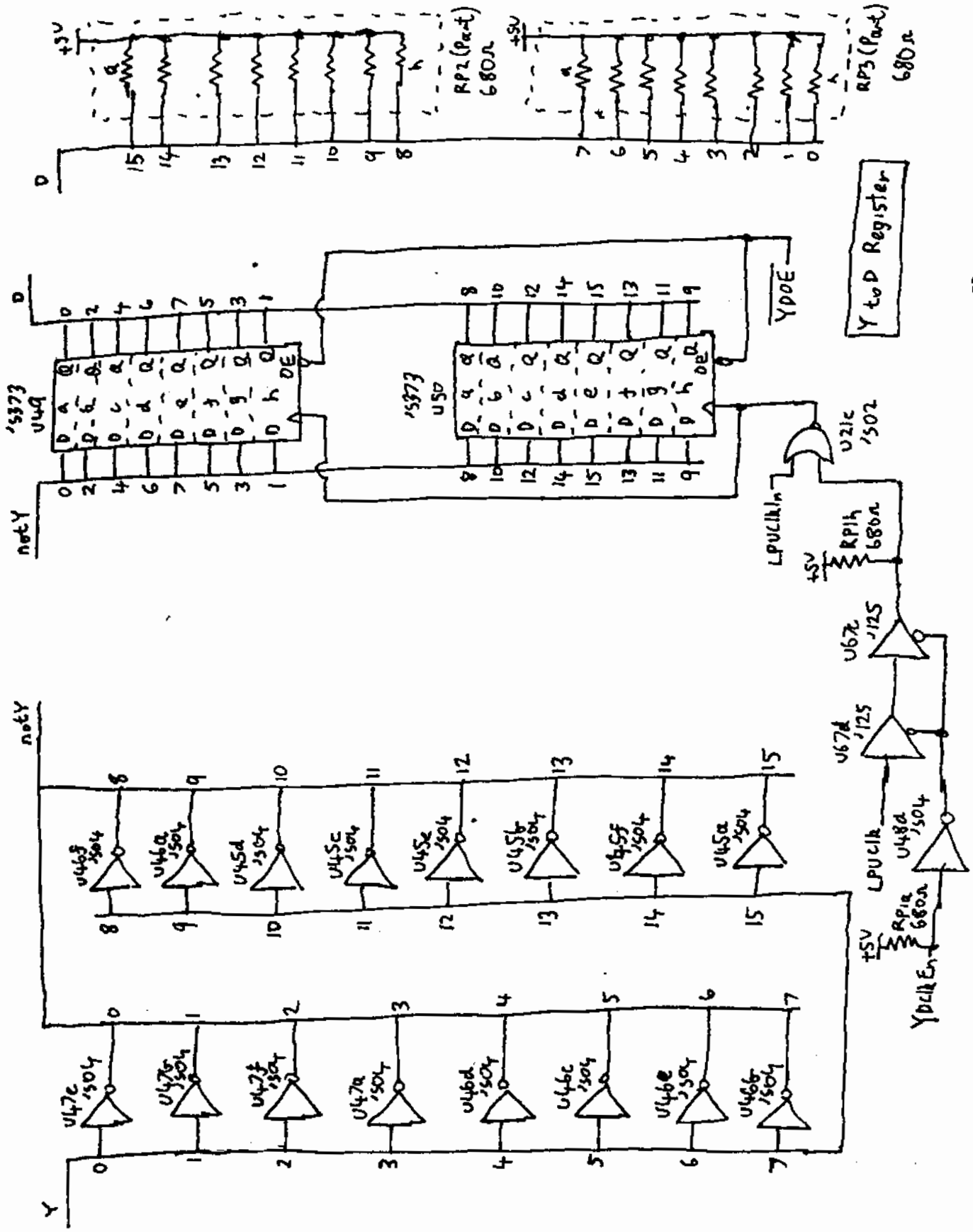
(Rear Connector)

P3

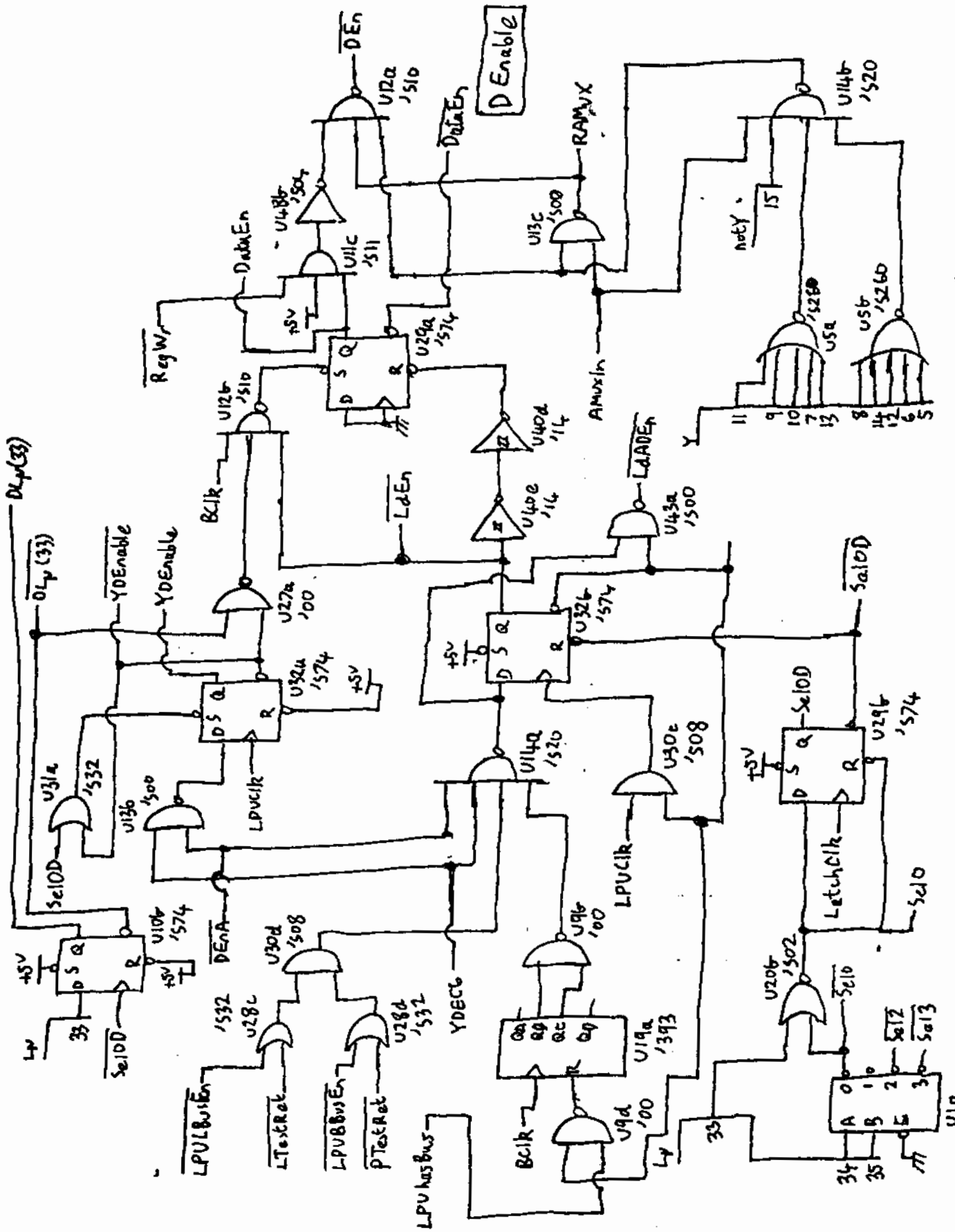
(Front Connector)

LPU Backplane Connectors



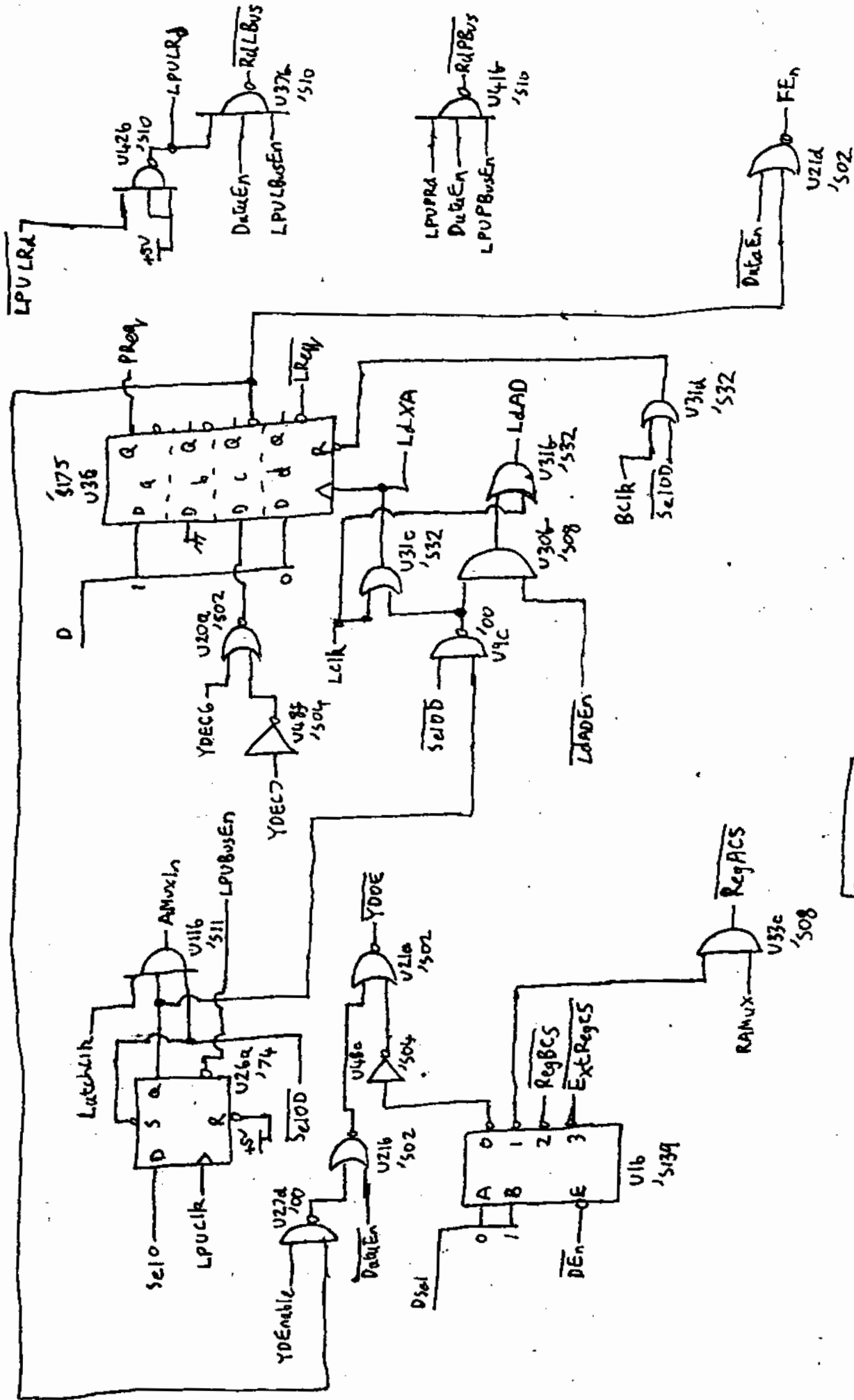


HP4845 High Speed Language Processor Interface PCB sheet(4) 09845-66536

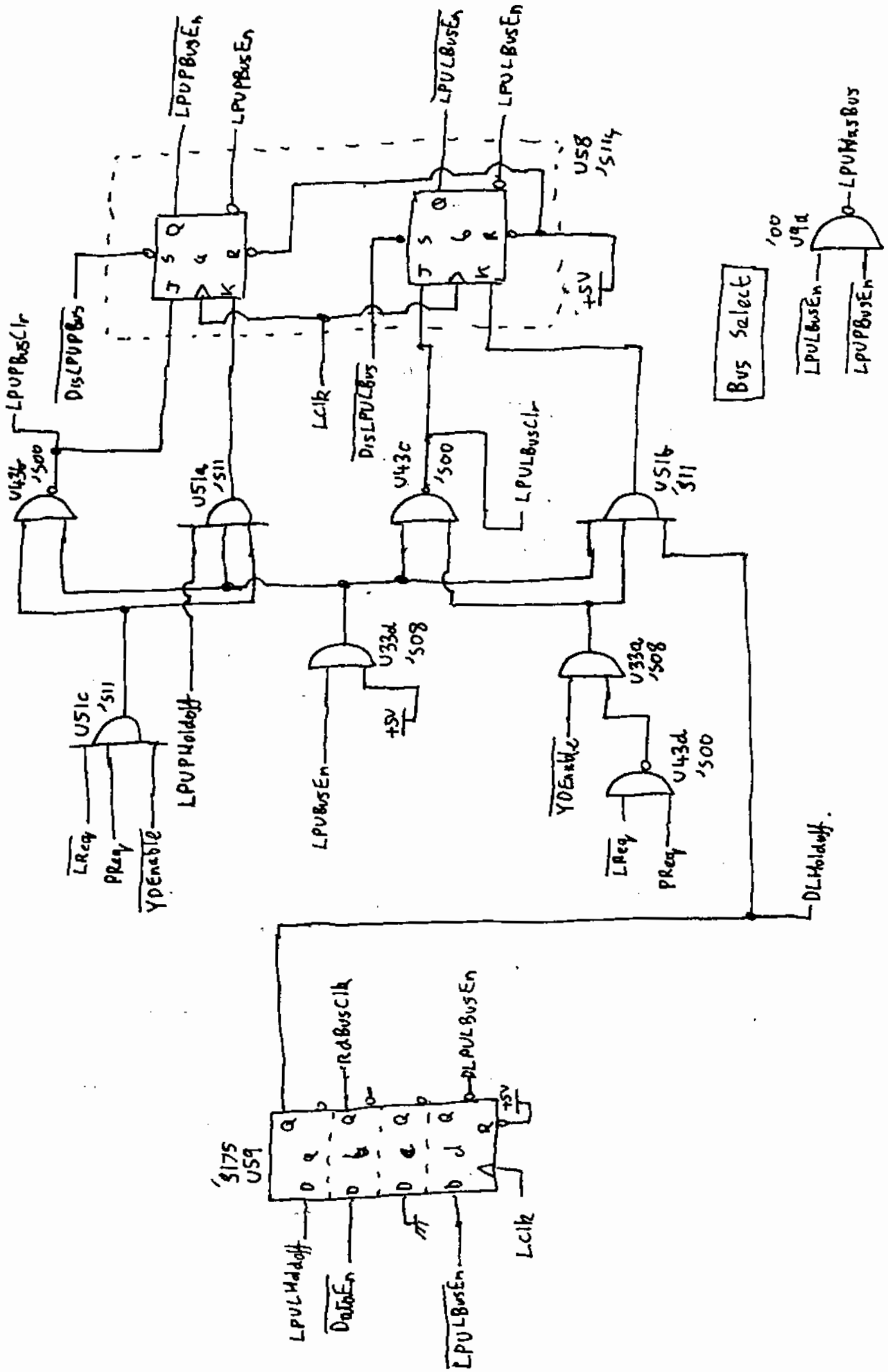


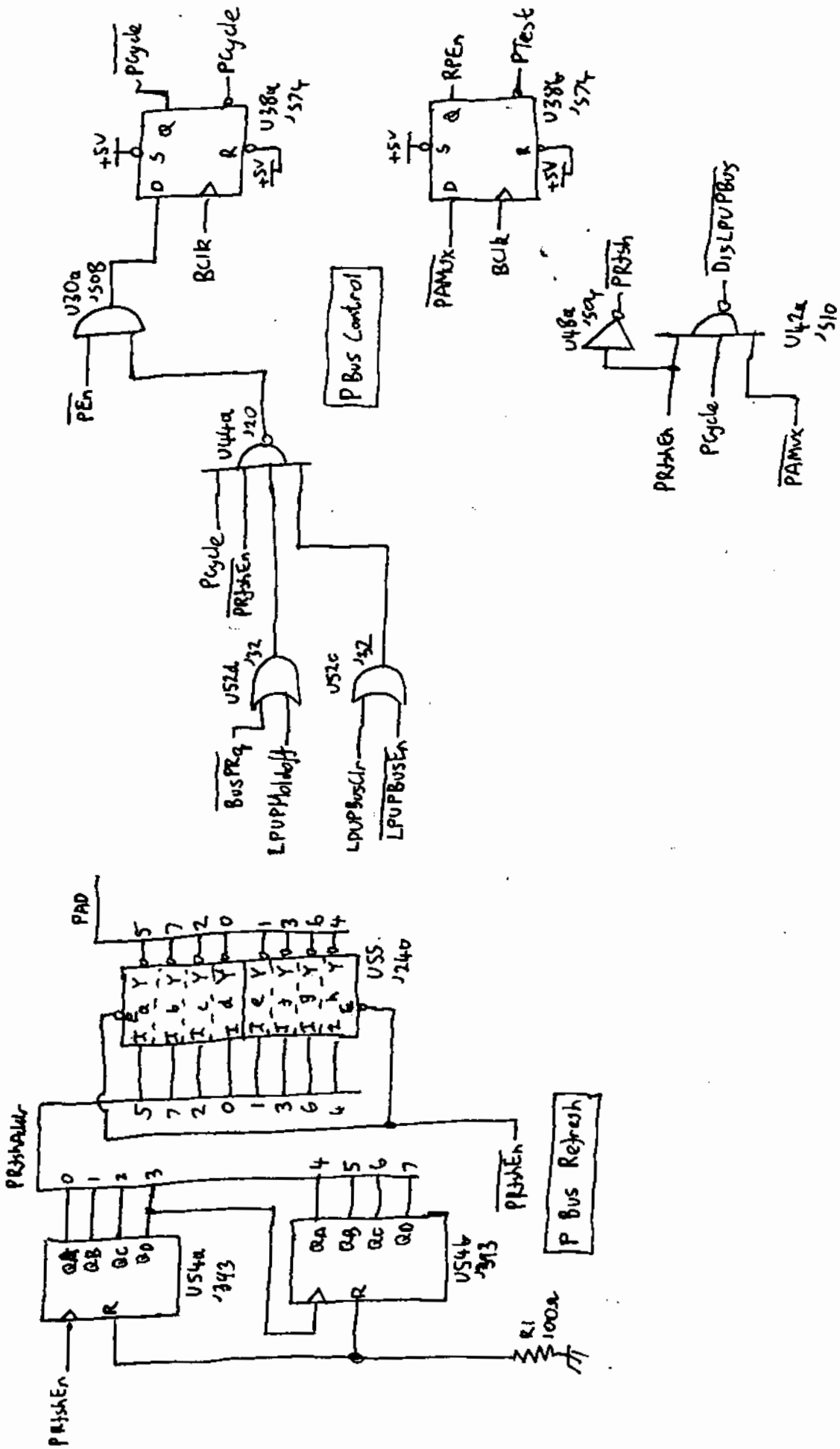
HP9845 High Speed Language Processor Interface PCB Sheet 5 09845-66536

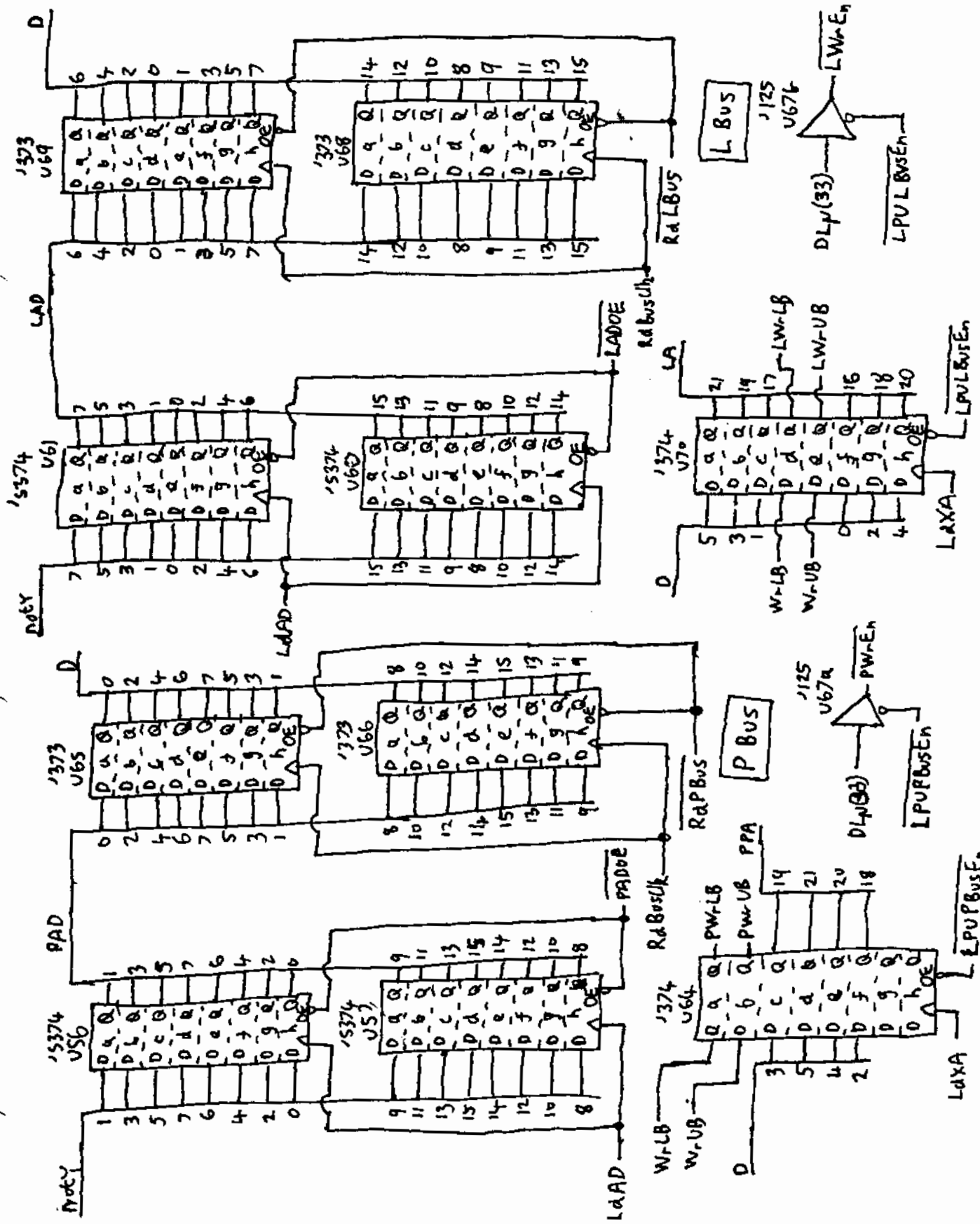
U1A '5139



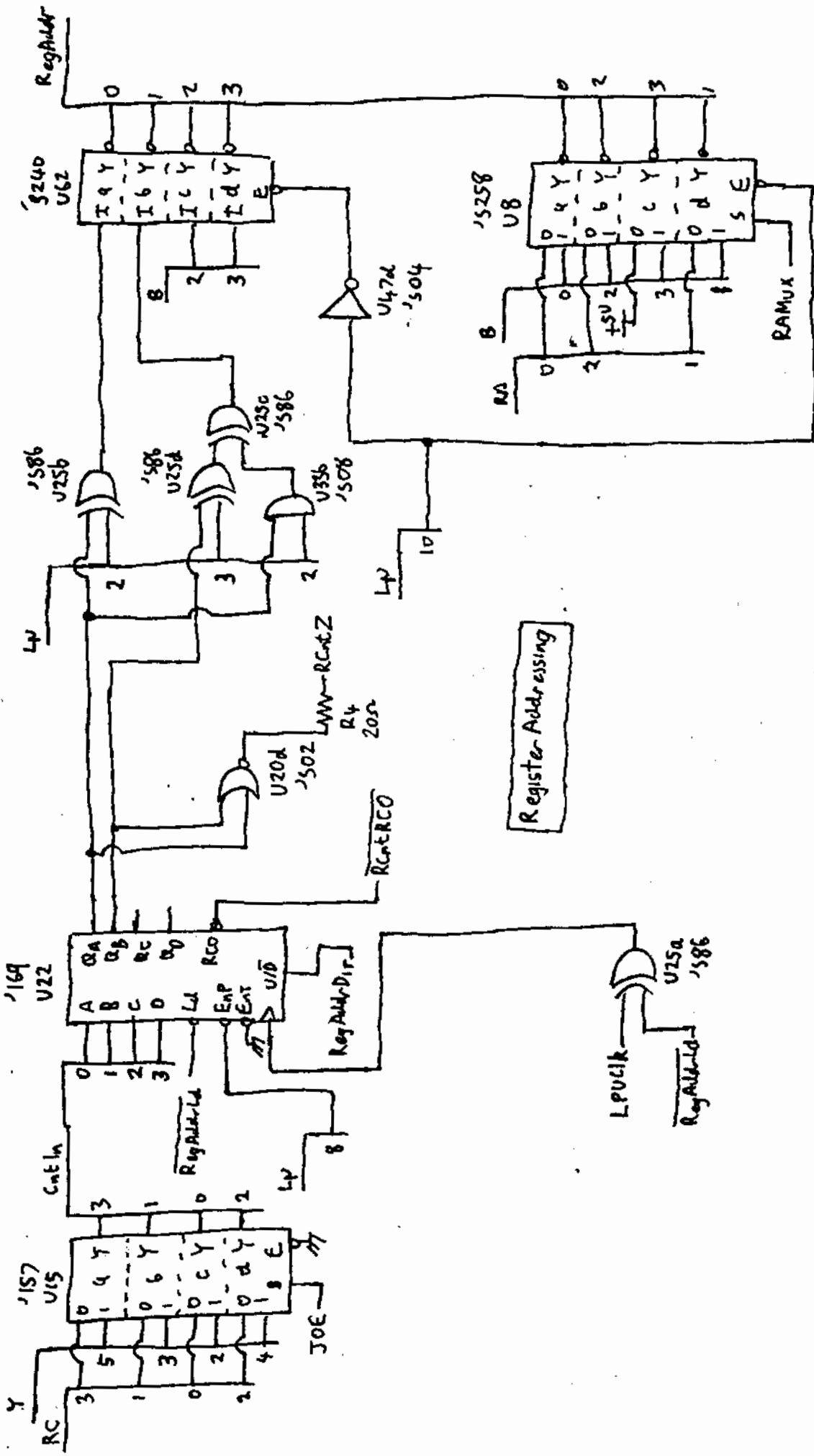
HP9845 High Speed Language Processor Interface PCB sheet 6 09845-66536

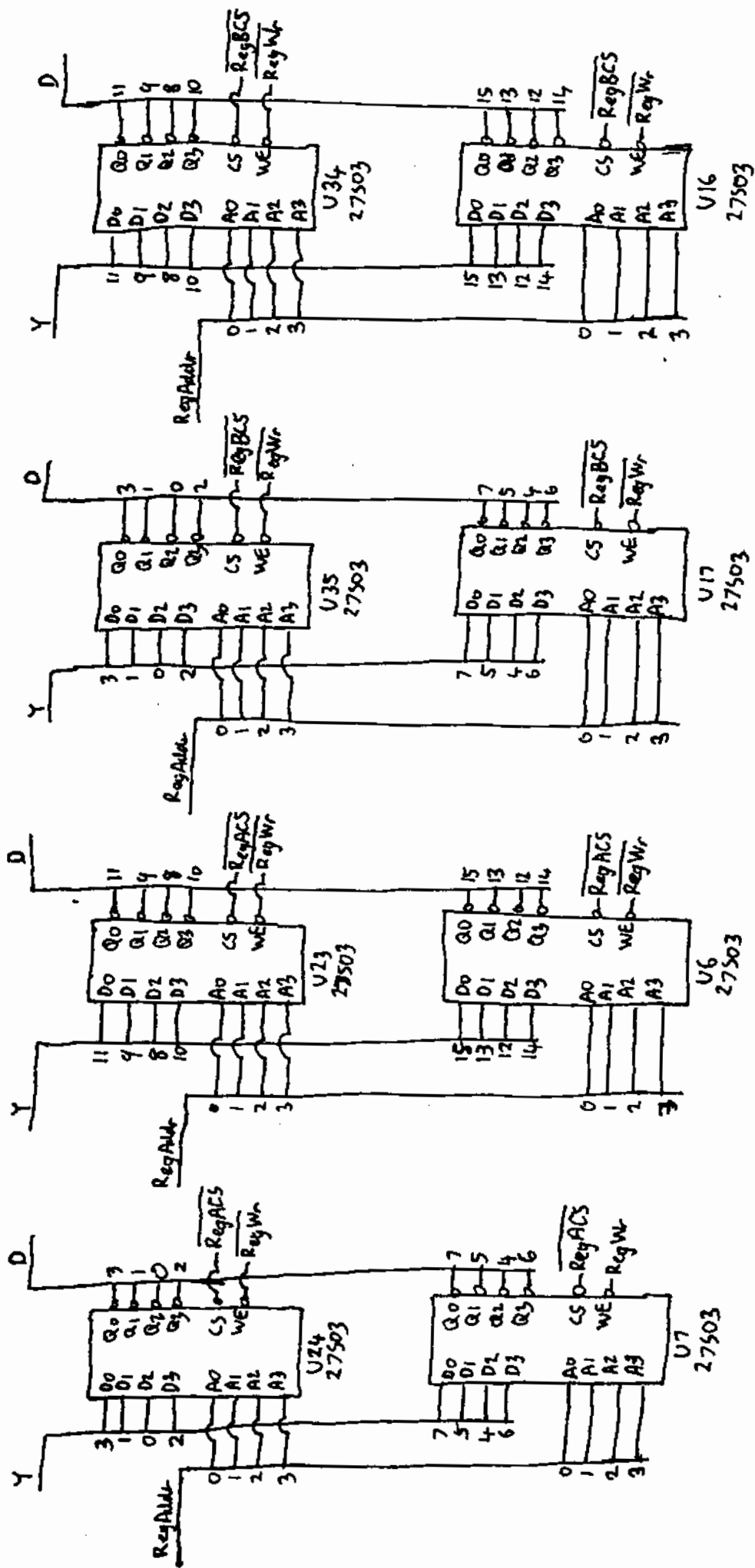




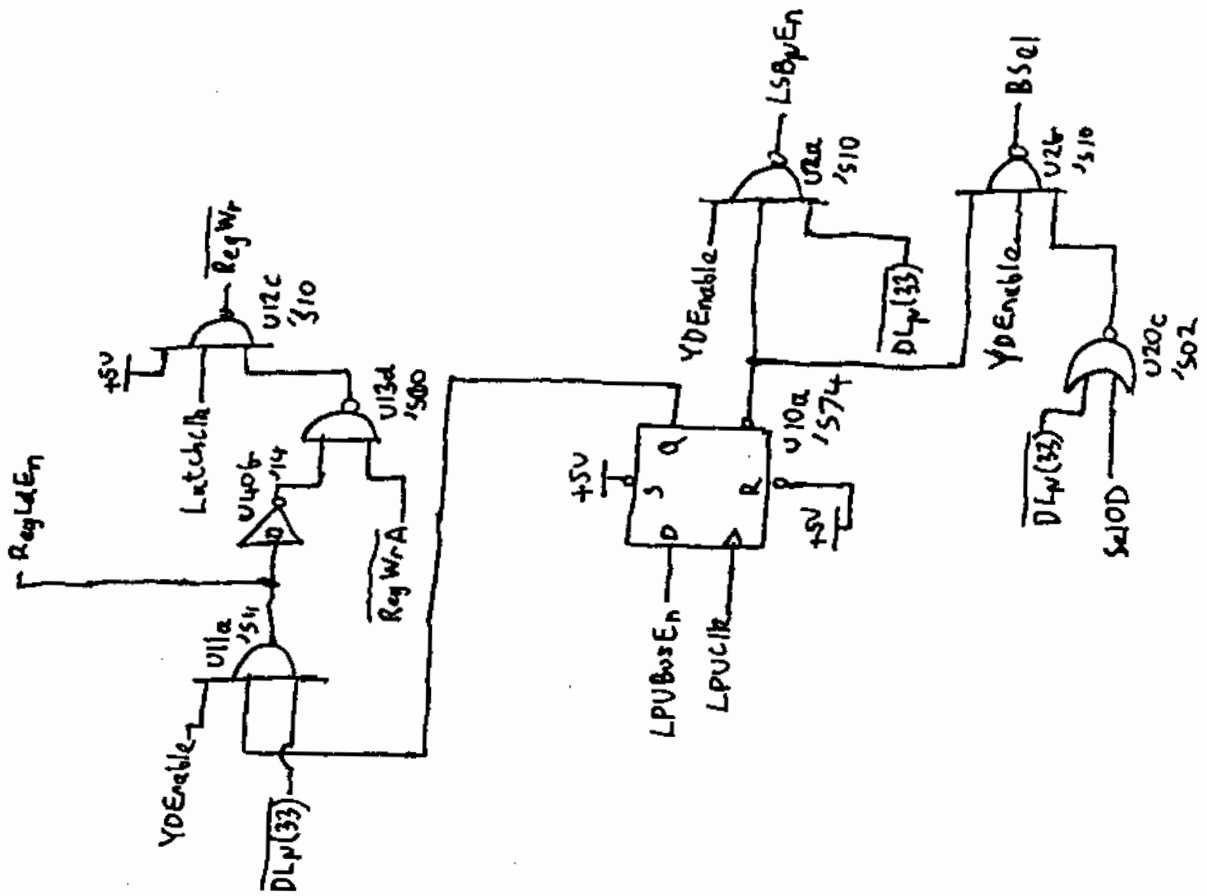
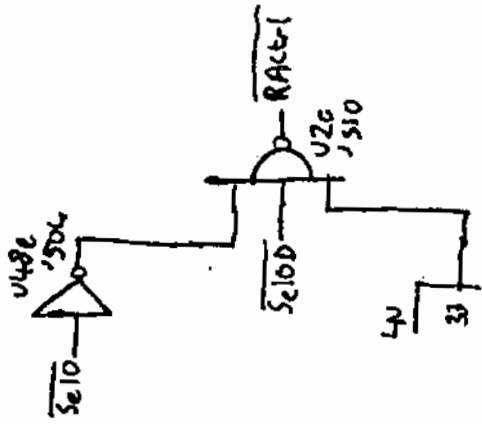


HP9845 High Speed Language Processor Interface PCB sheet 10 09845-66536

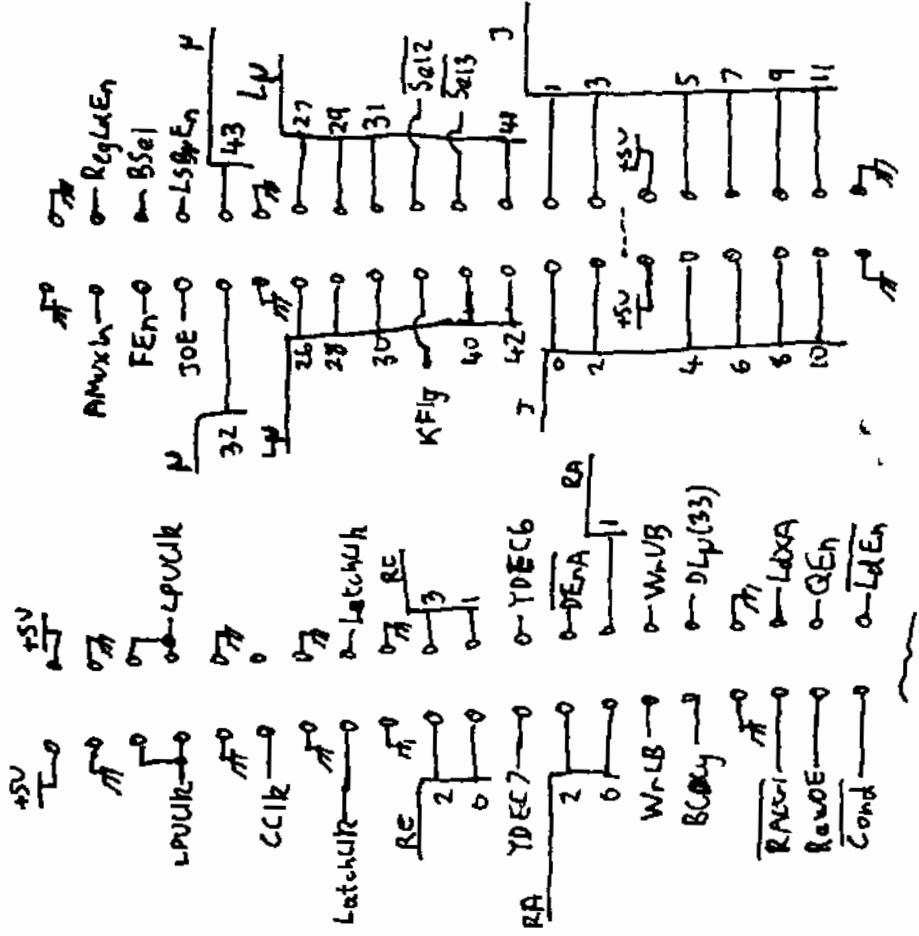
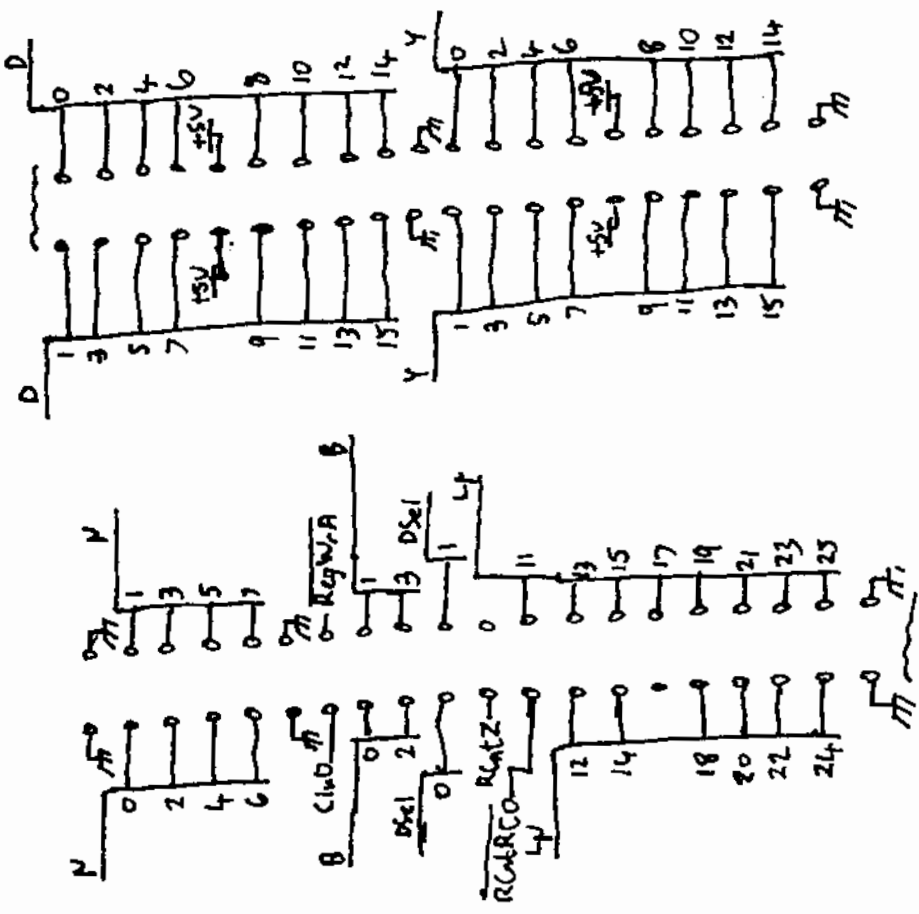




Processor Registers

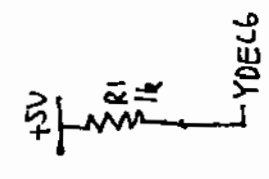
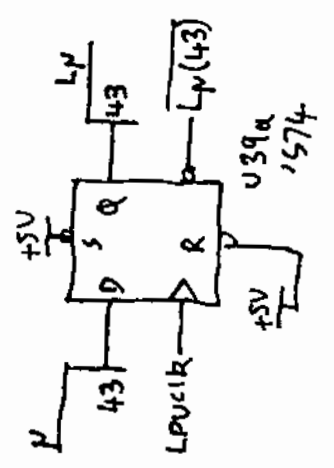
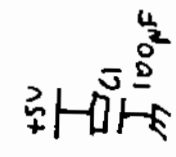


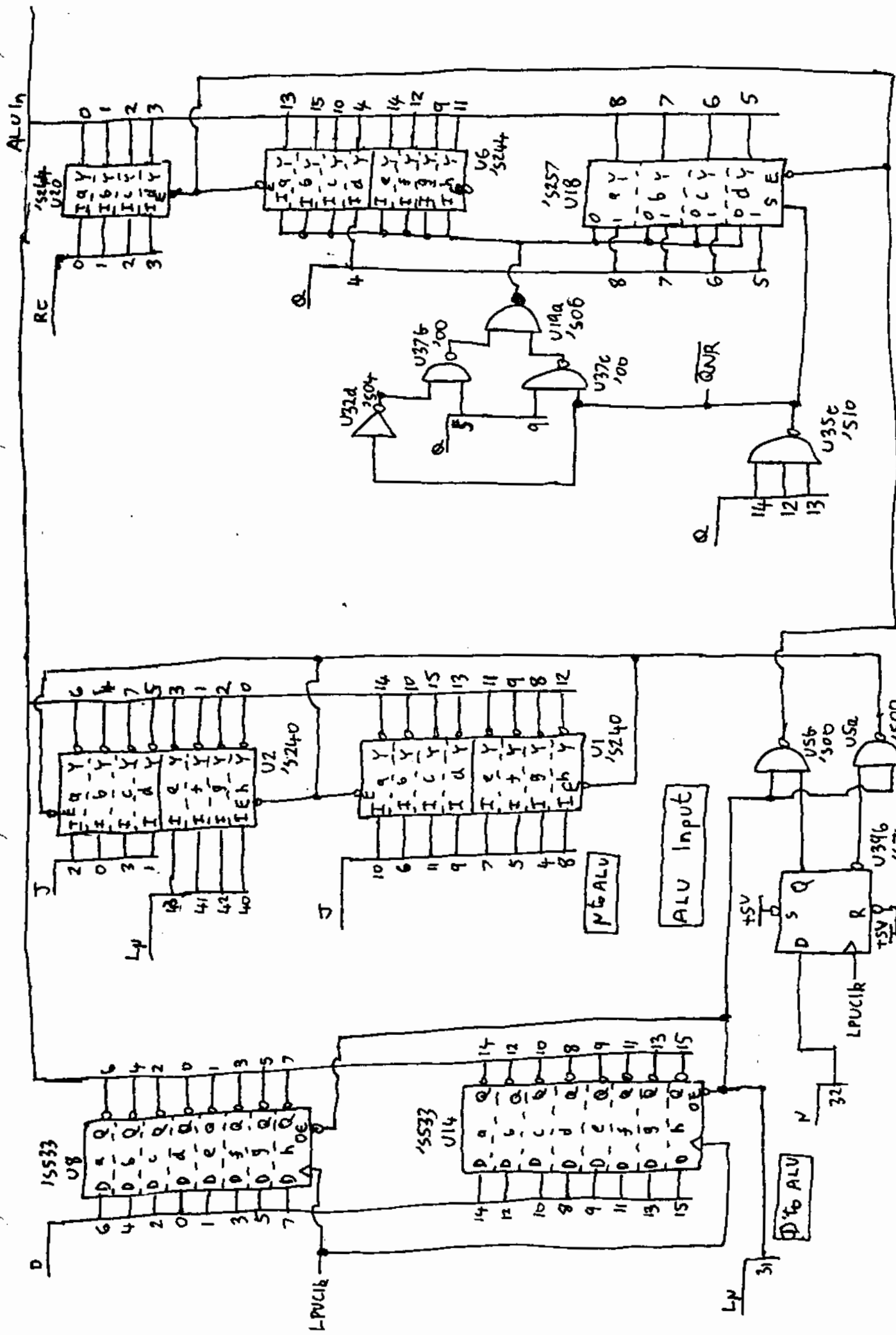
Rear
RHS



P2
(Rear Connector)

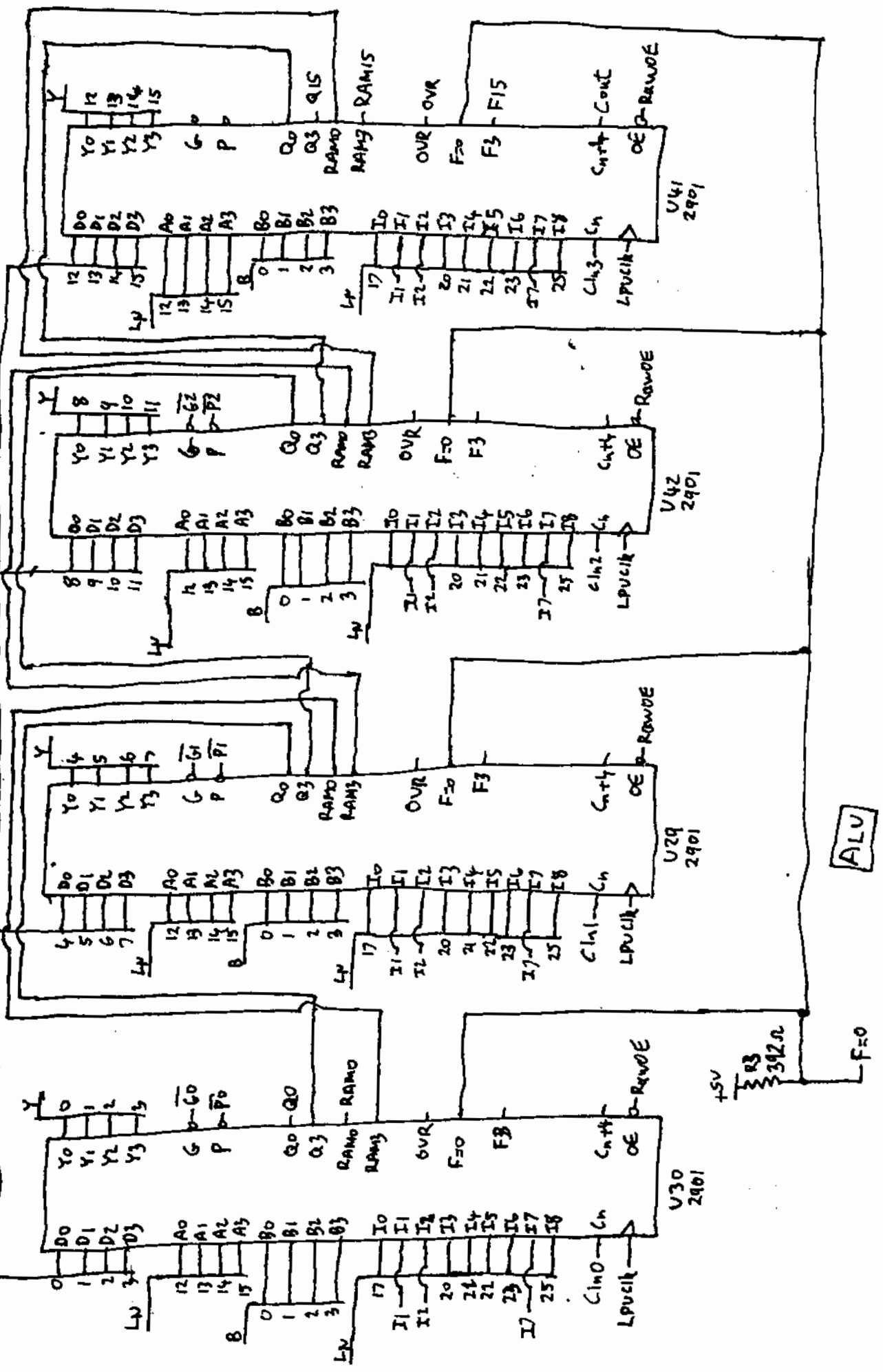
P1
(Front Connector)

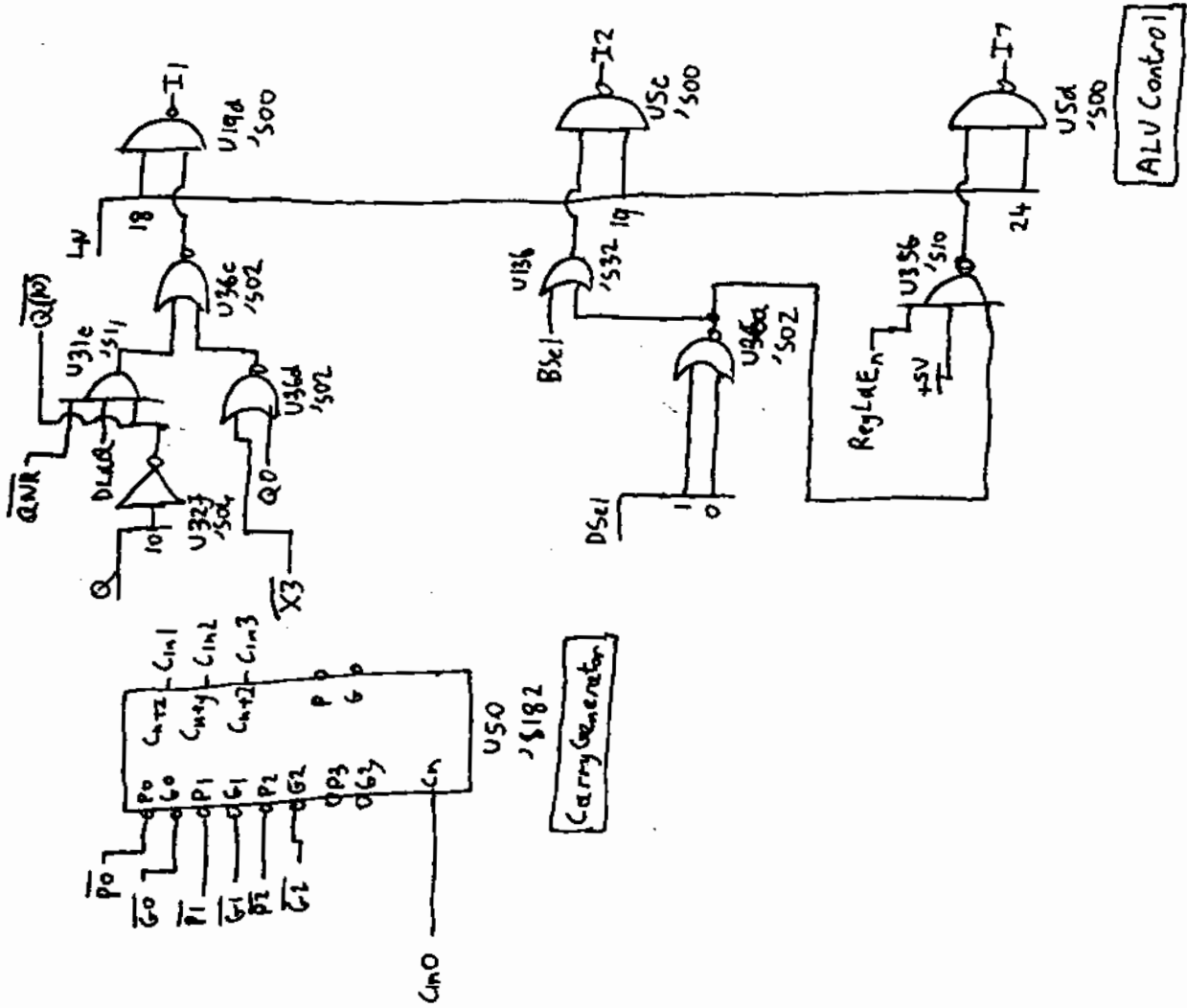




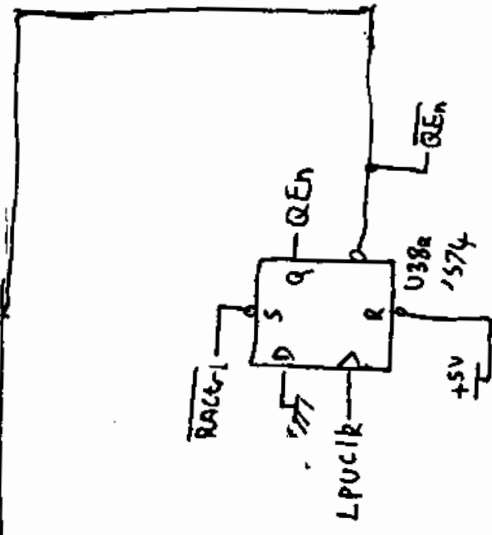
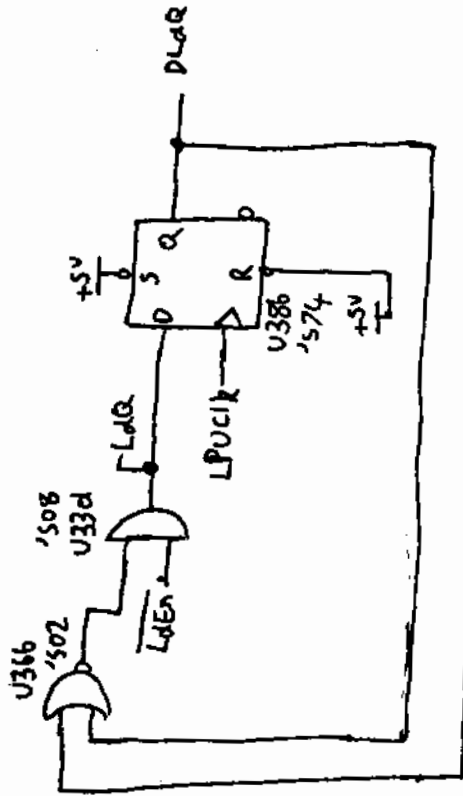
MP9845 High Speed Language Processor Data Path PCB Sheet 2 09845-66537

ALU_{in}

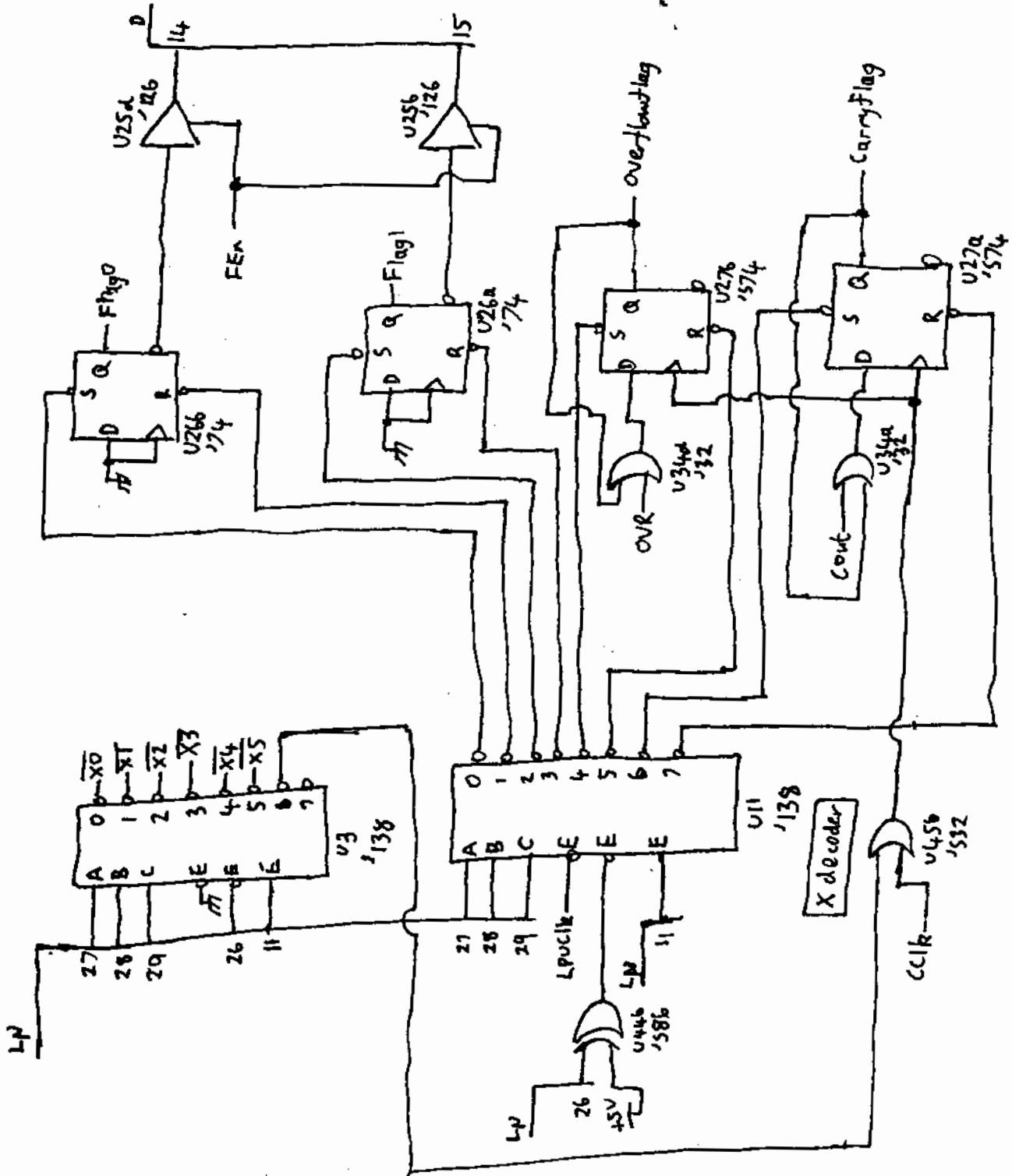


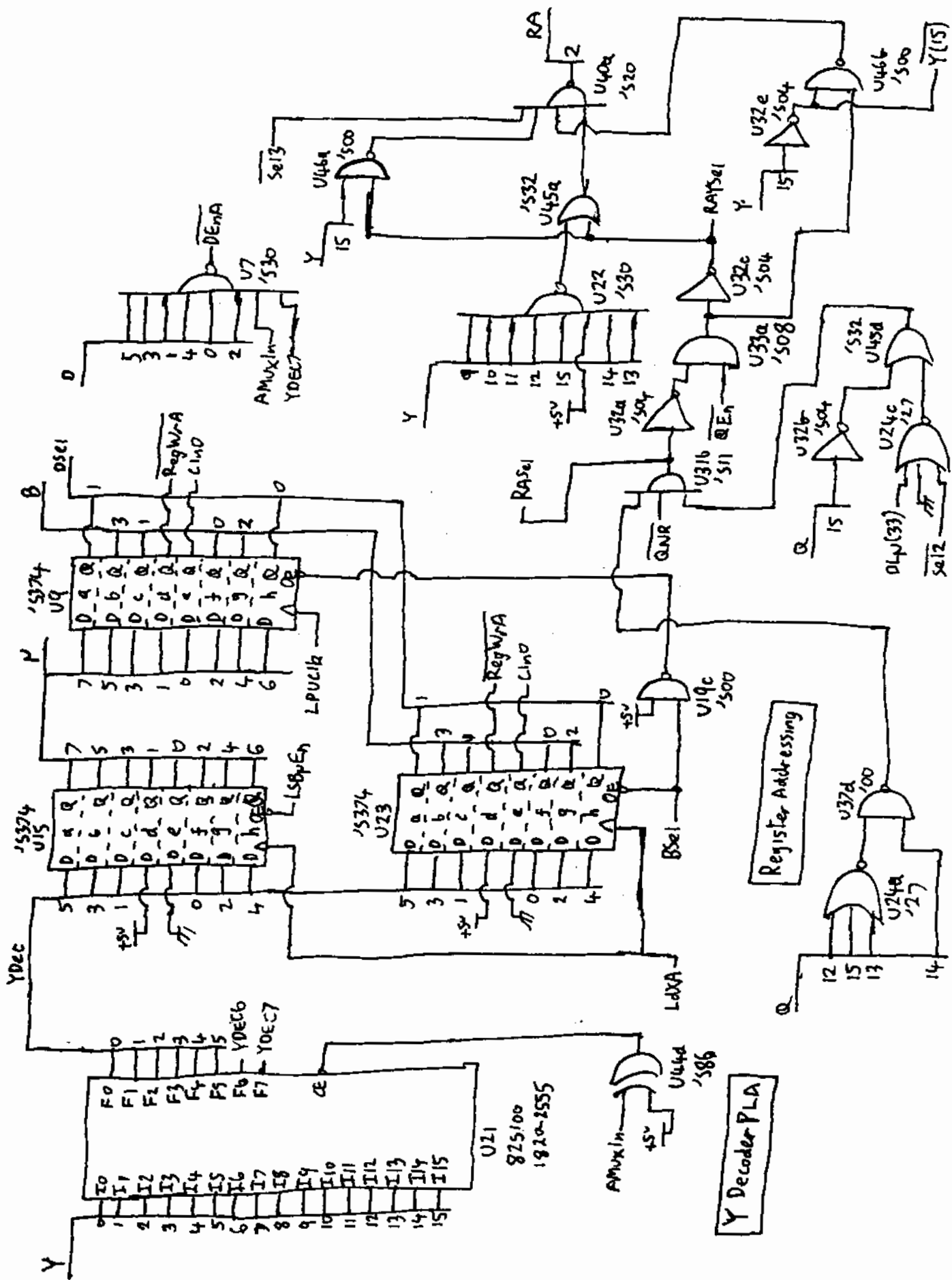


ALU Control

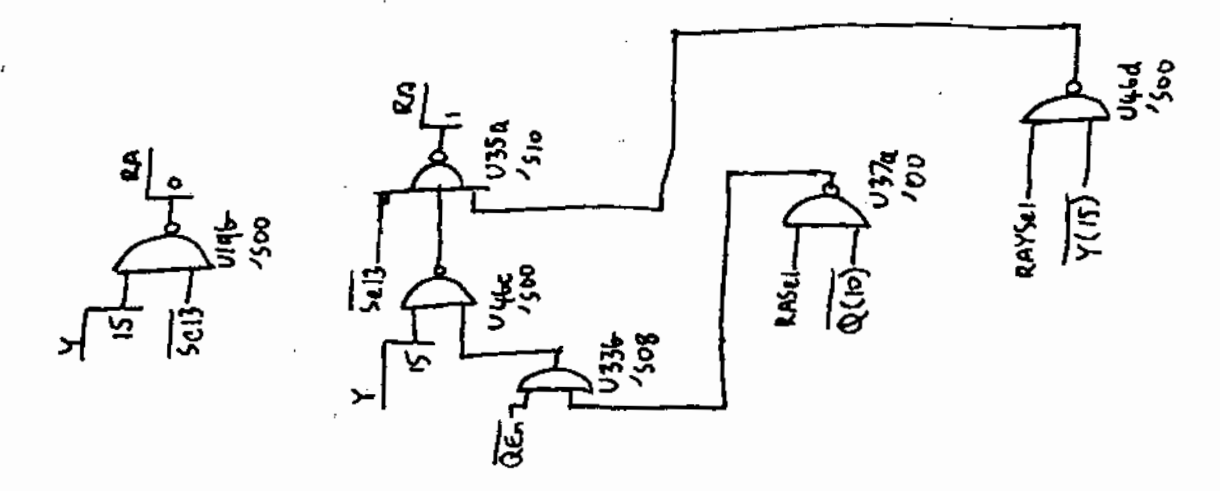
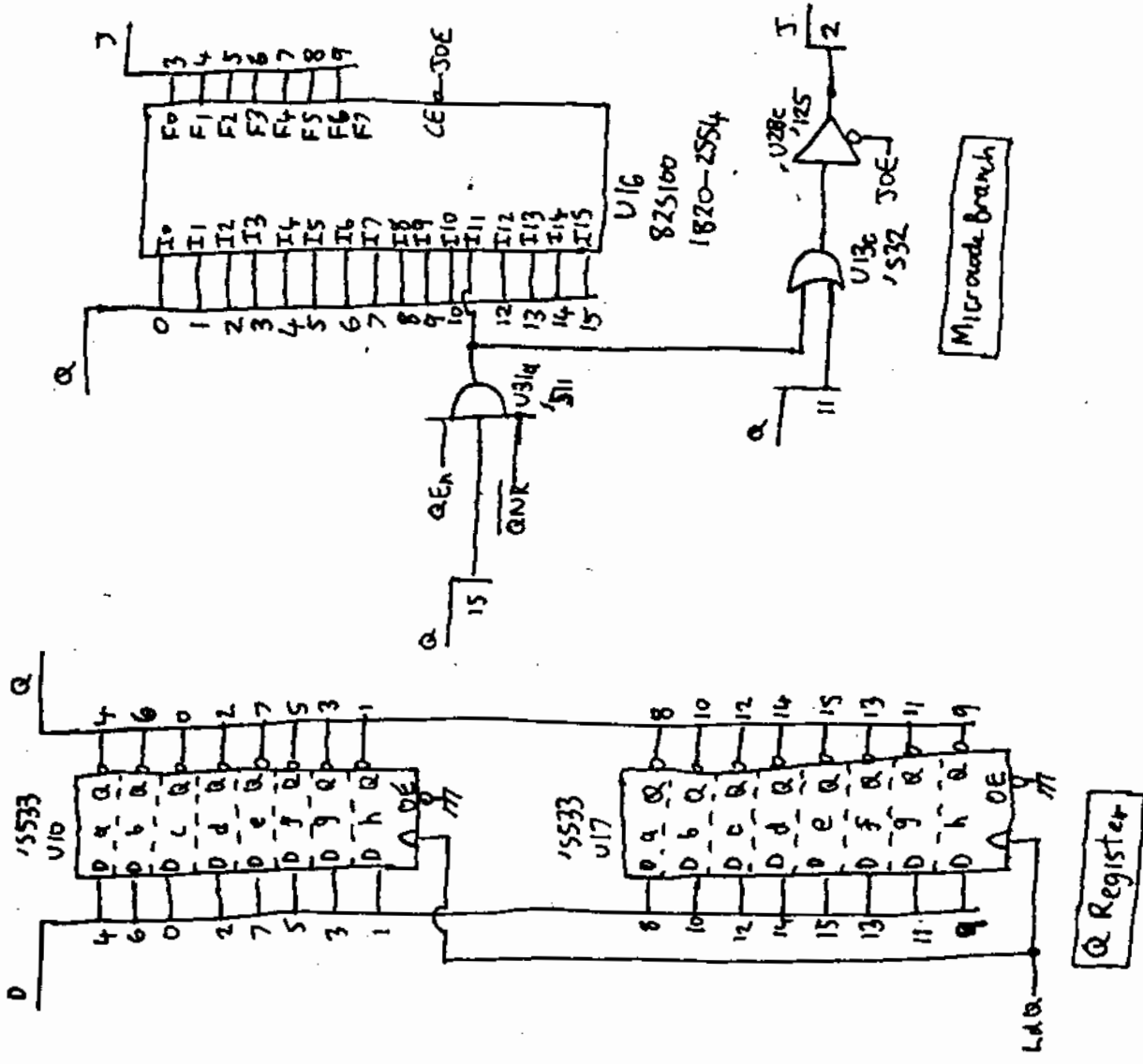


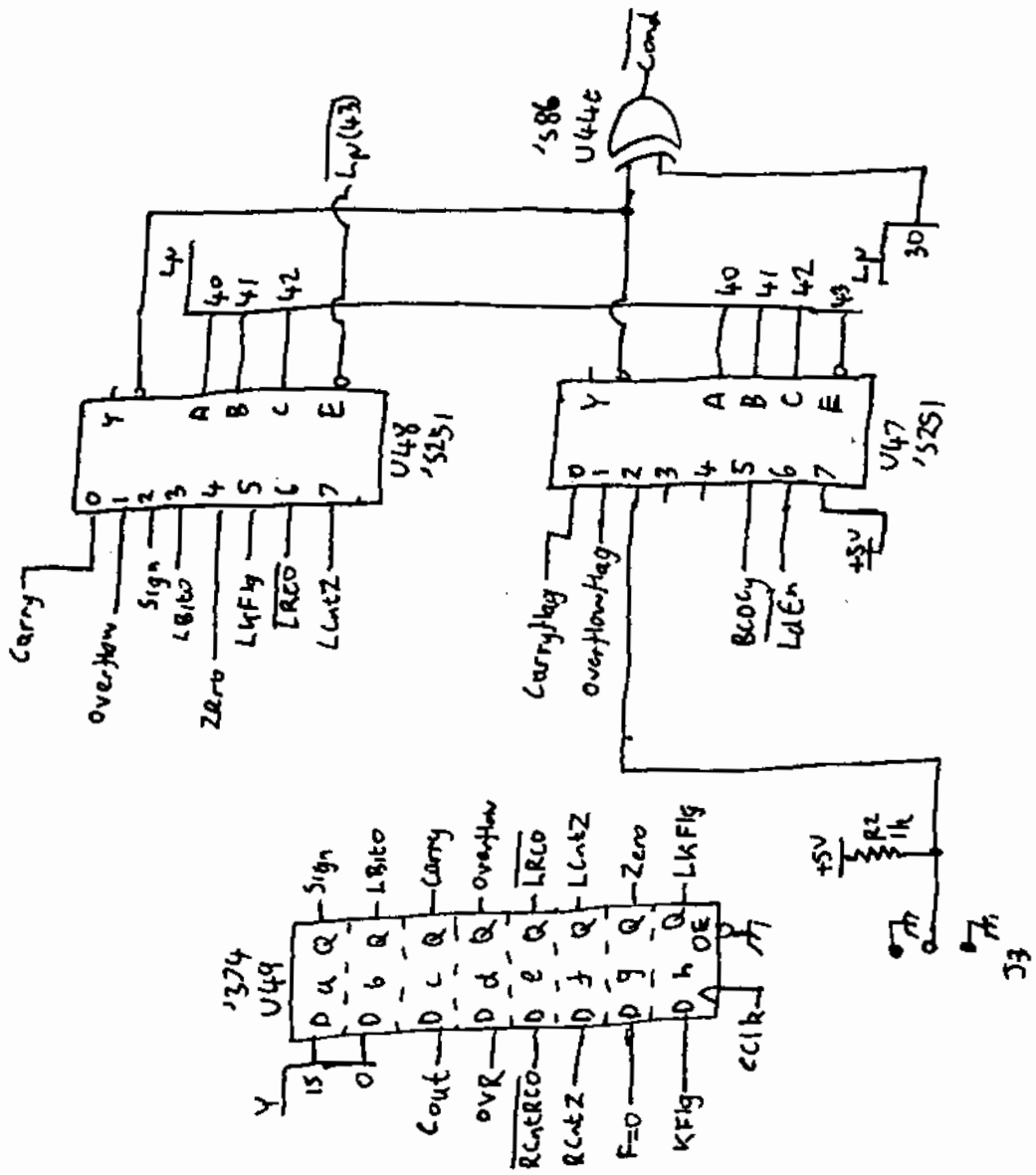
Q Load





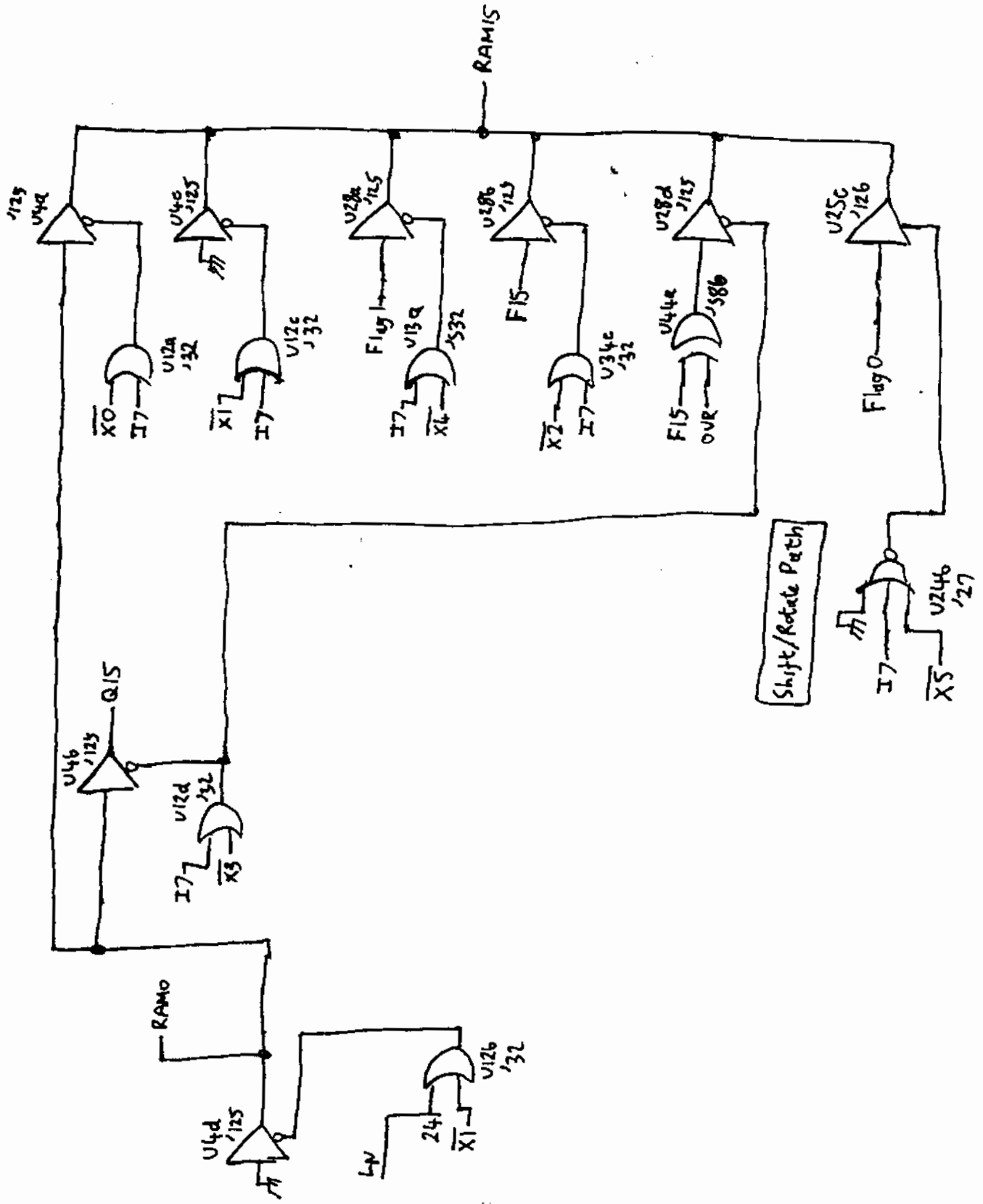
HP9845 High Speed Language Processor, Data Path PCB Sheet 6 09845-66537

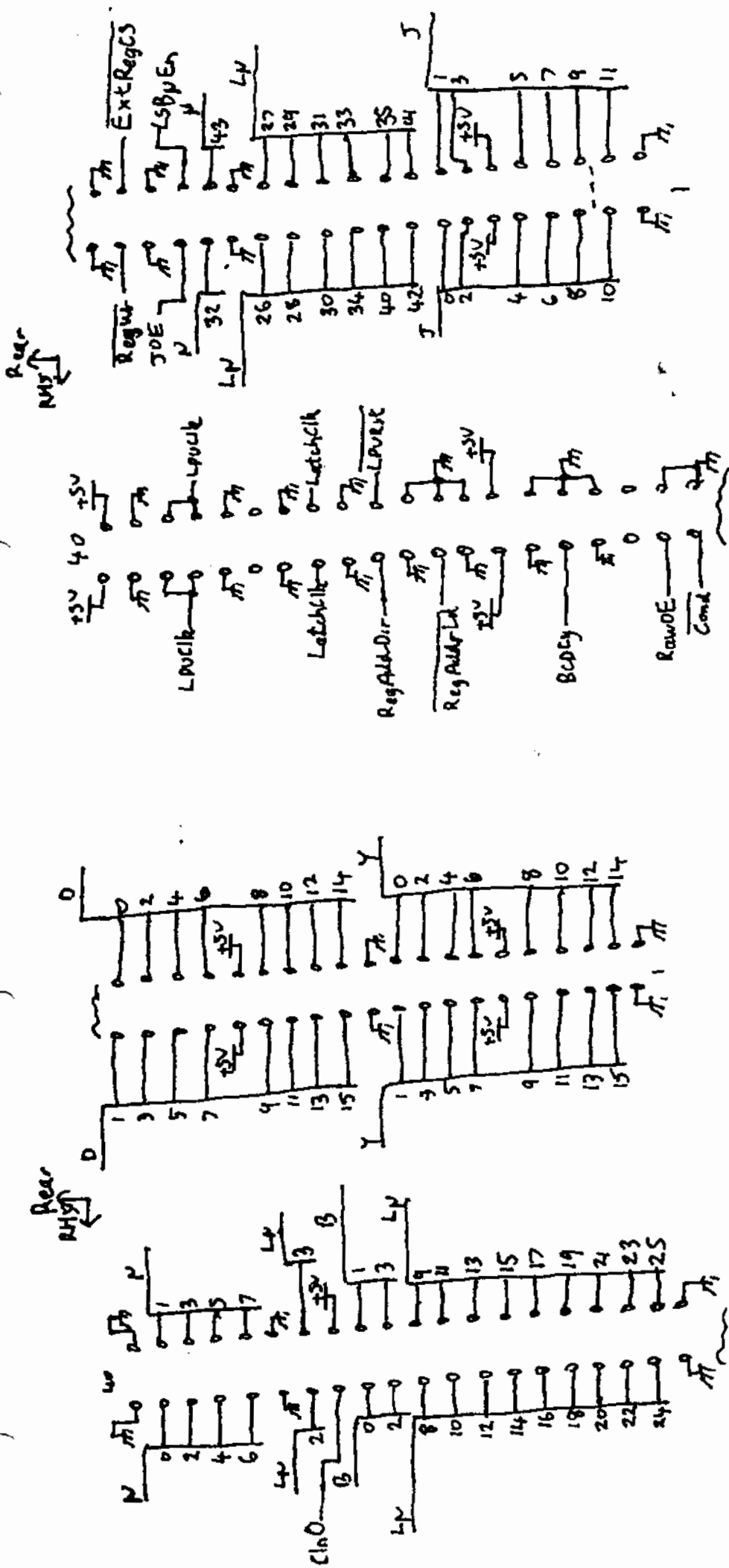




Memory Byte Select

Branch Condition

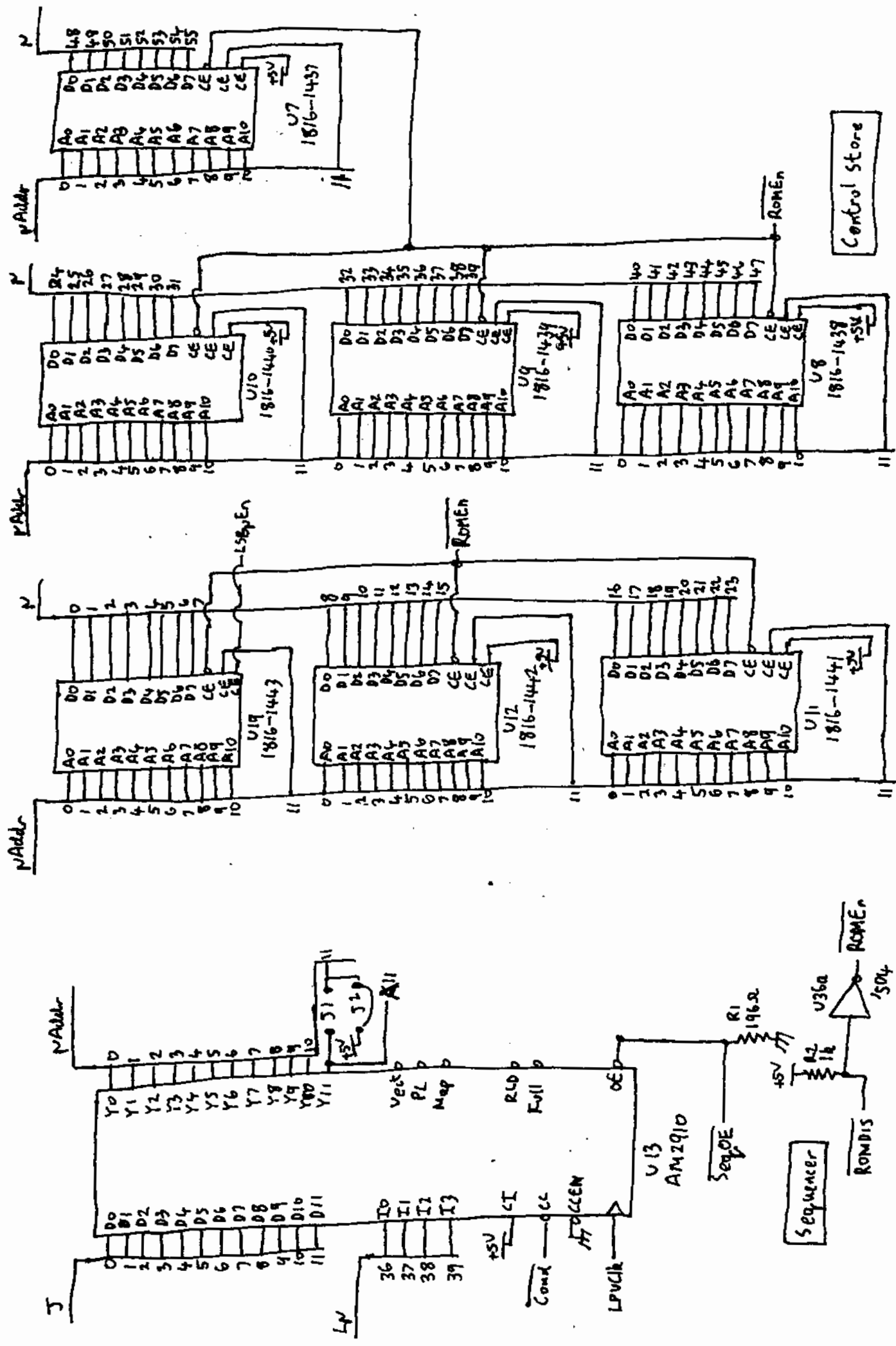


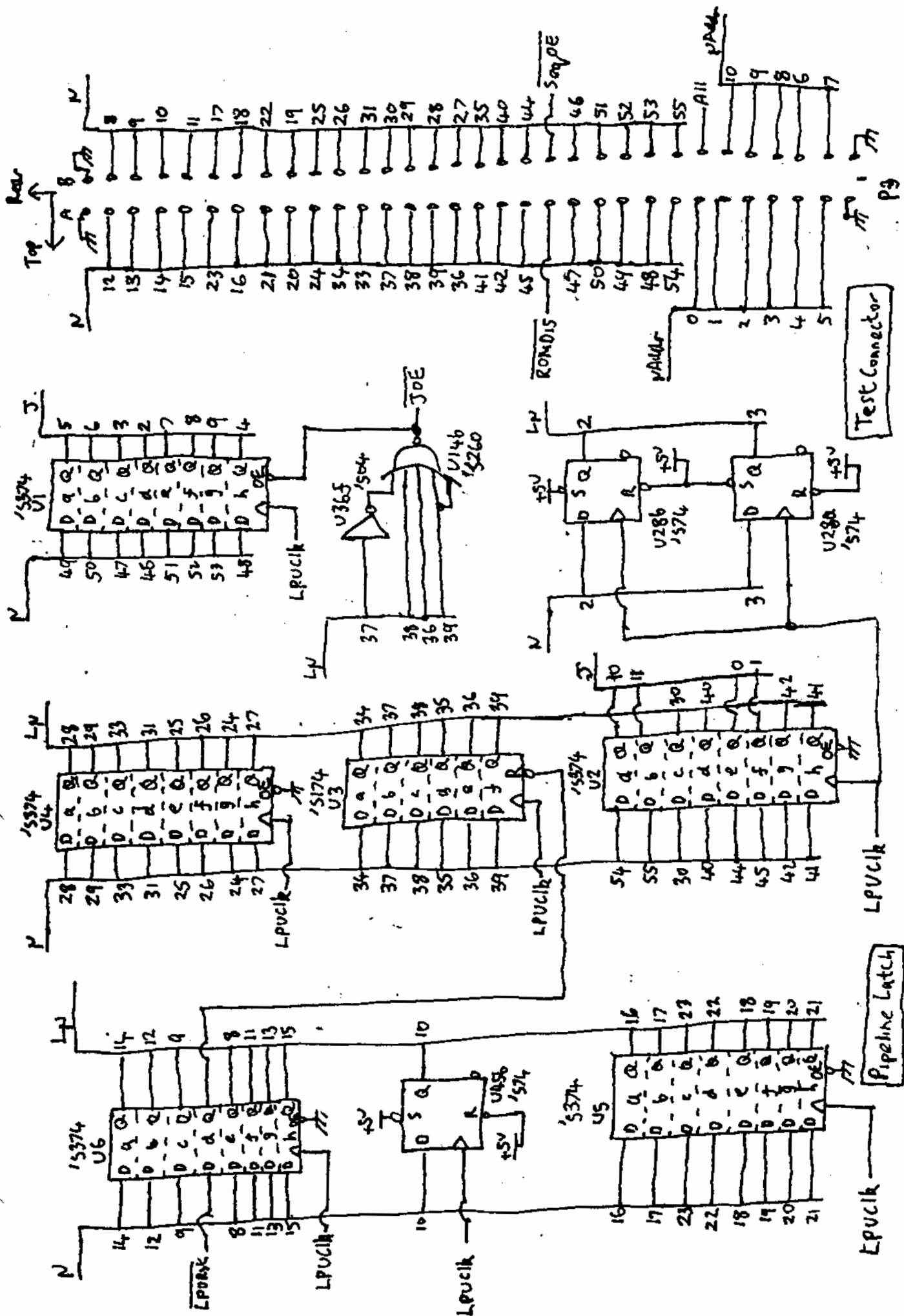


P1
(Front Connector)

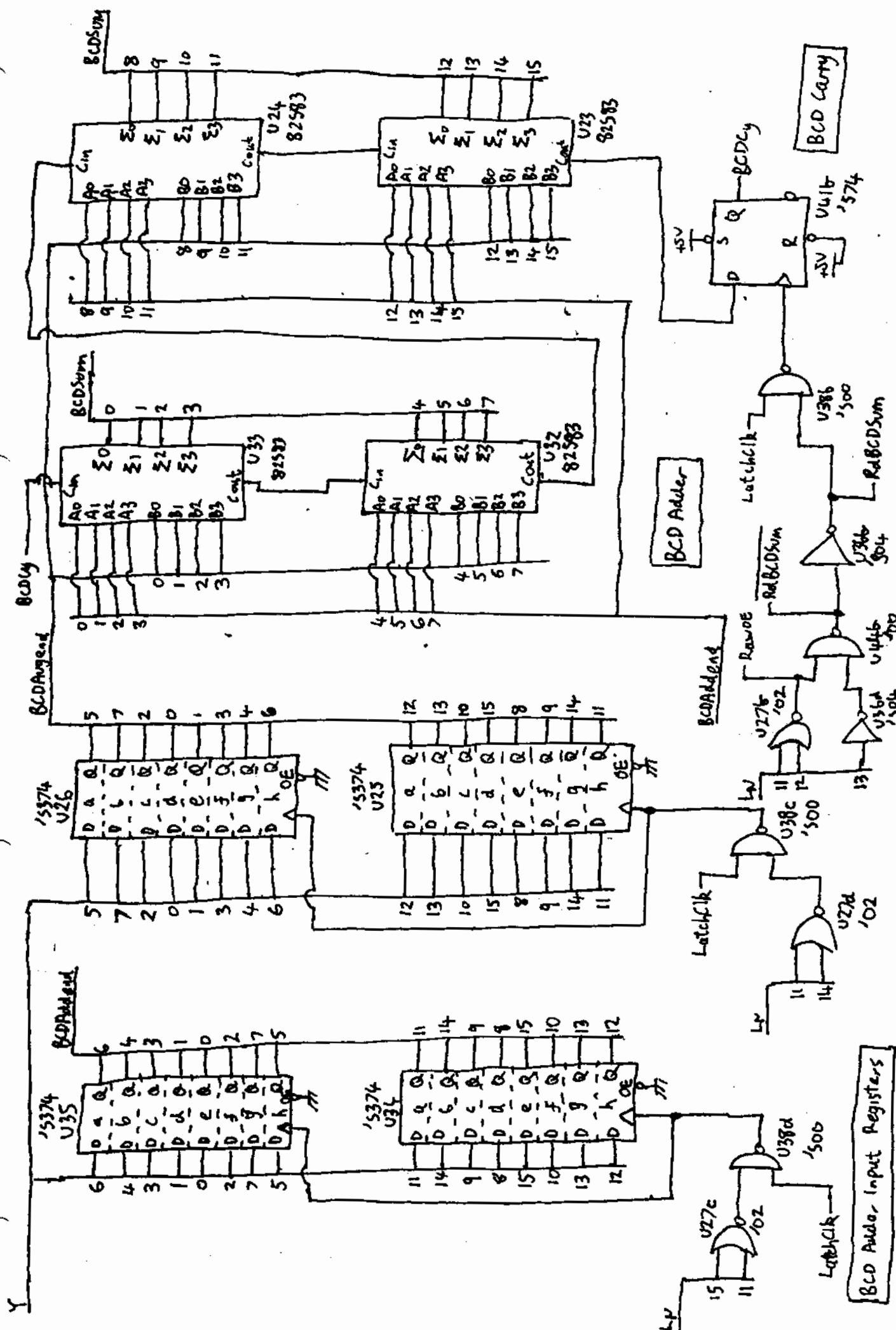
+5V
100µF

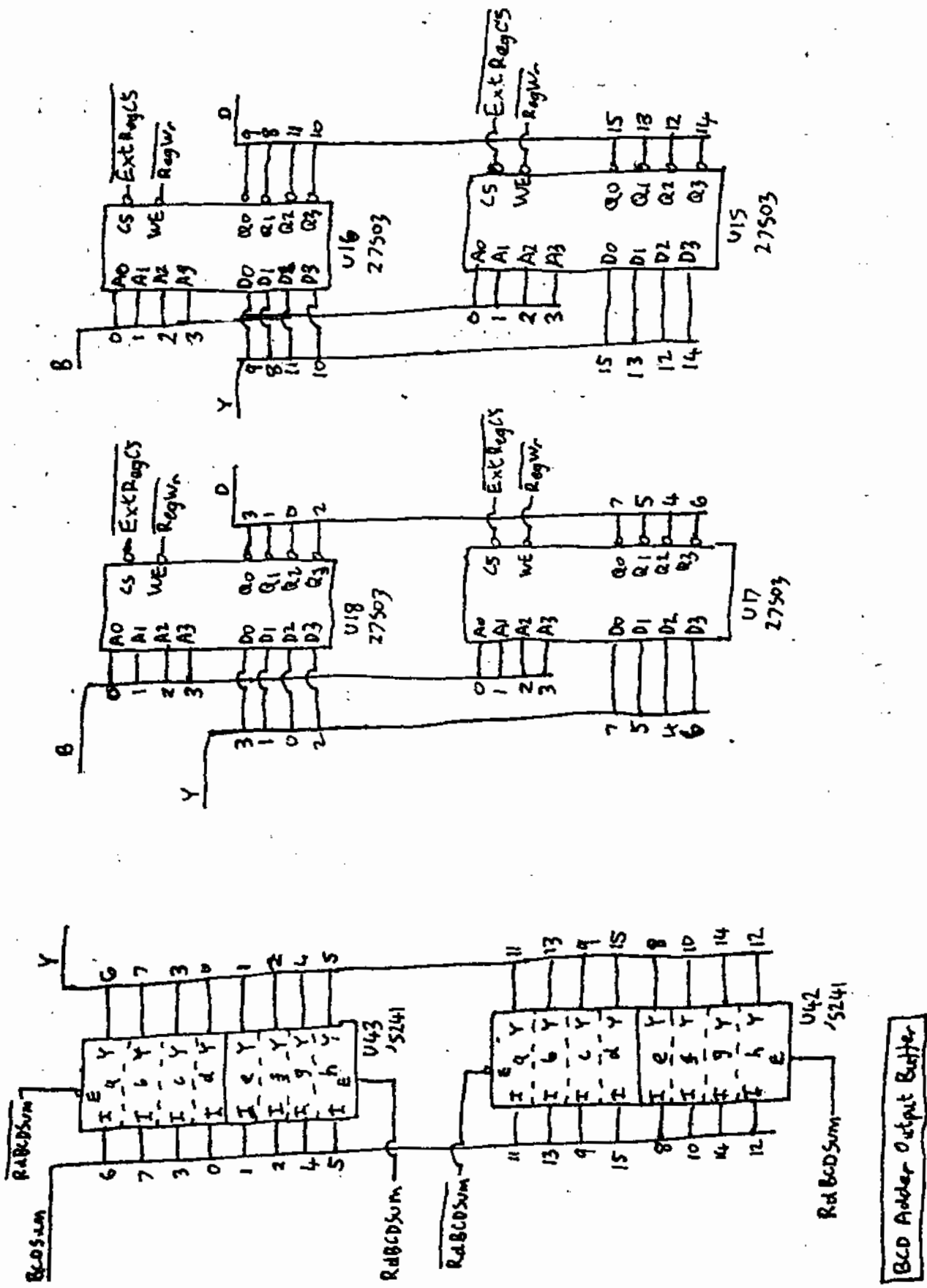
P2
(Rear Connector)

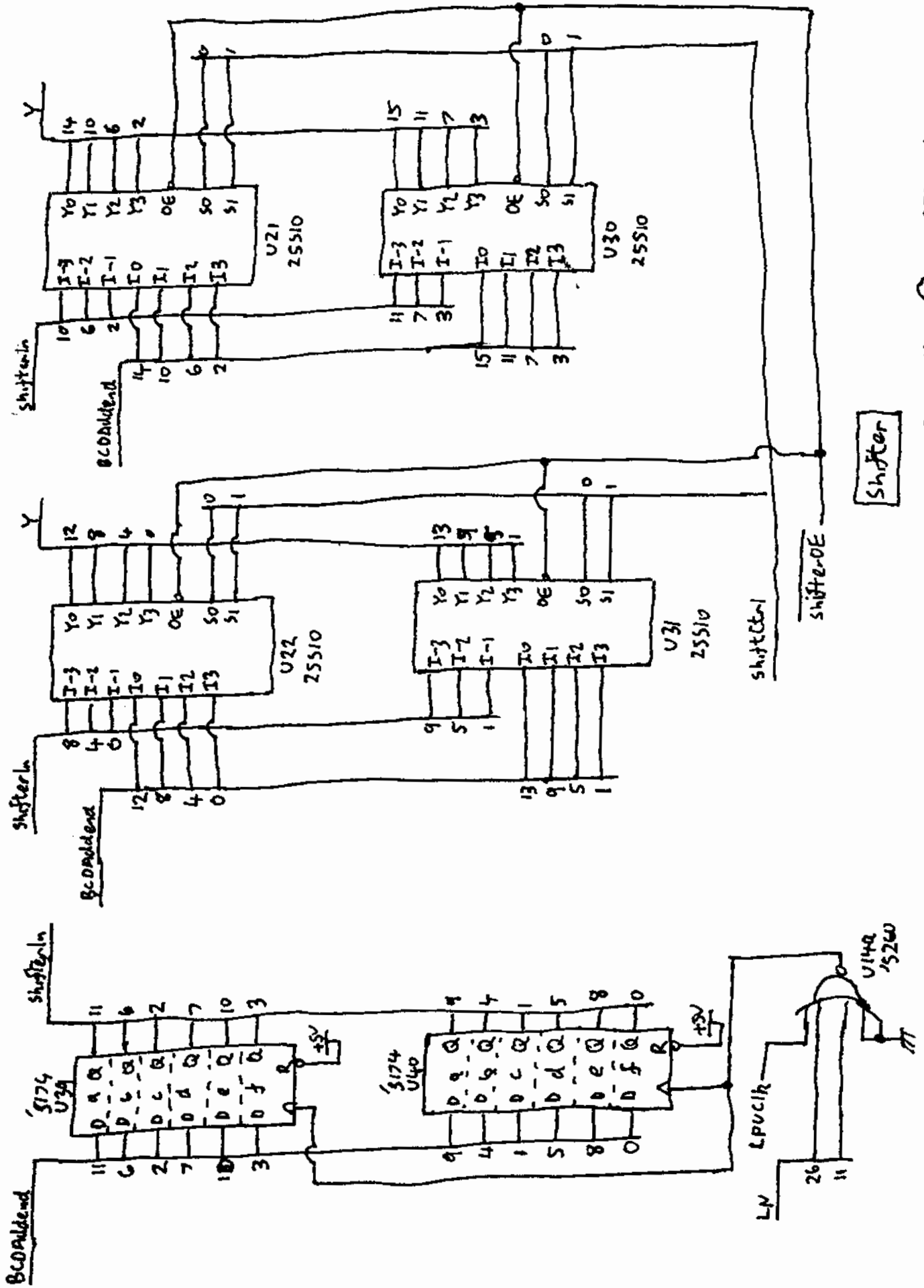


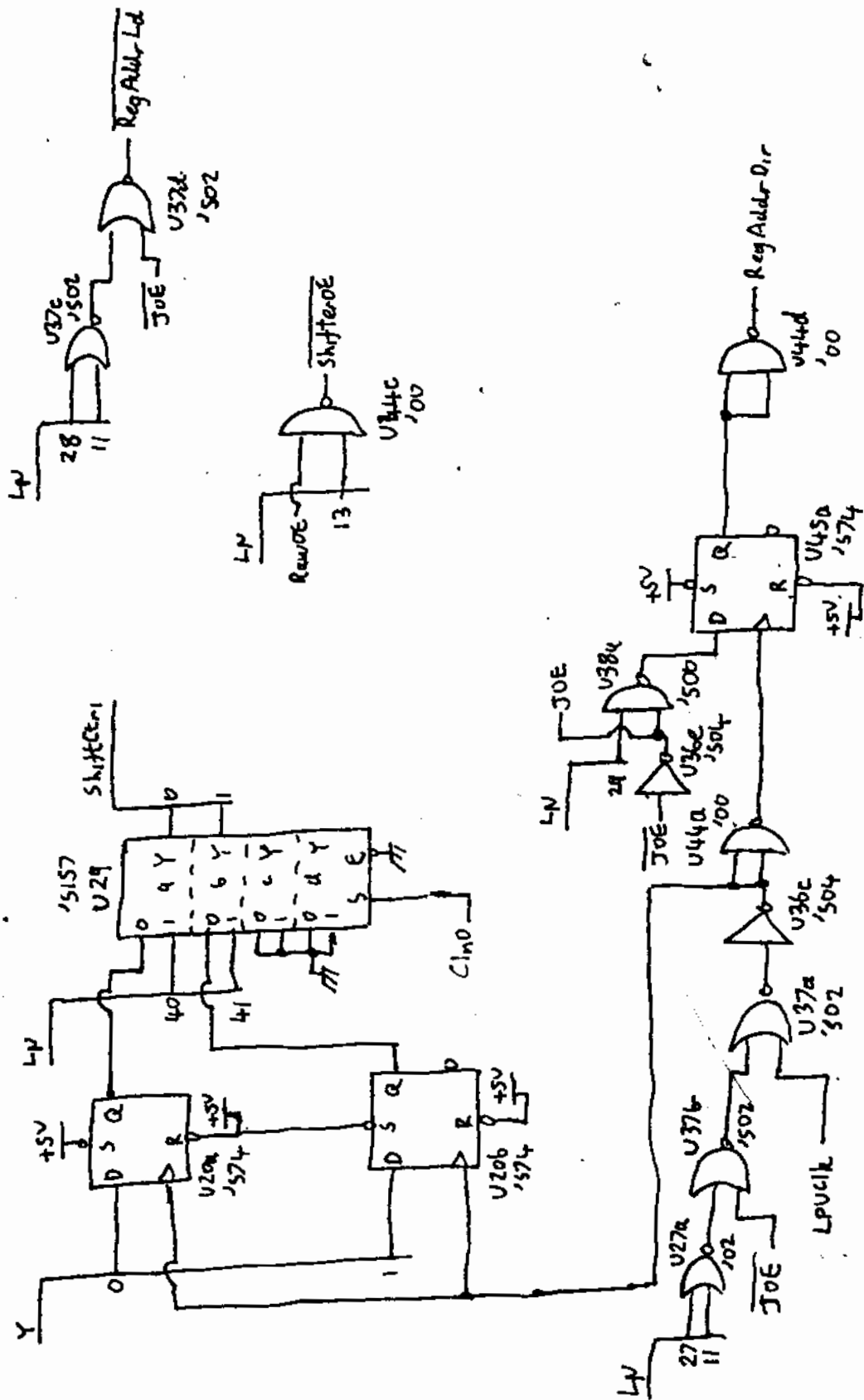


HP9845 High Speed Language Processor Control PCB Sheet 5 09845-66538

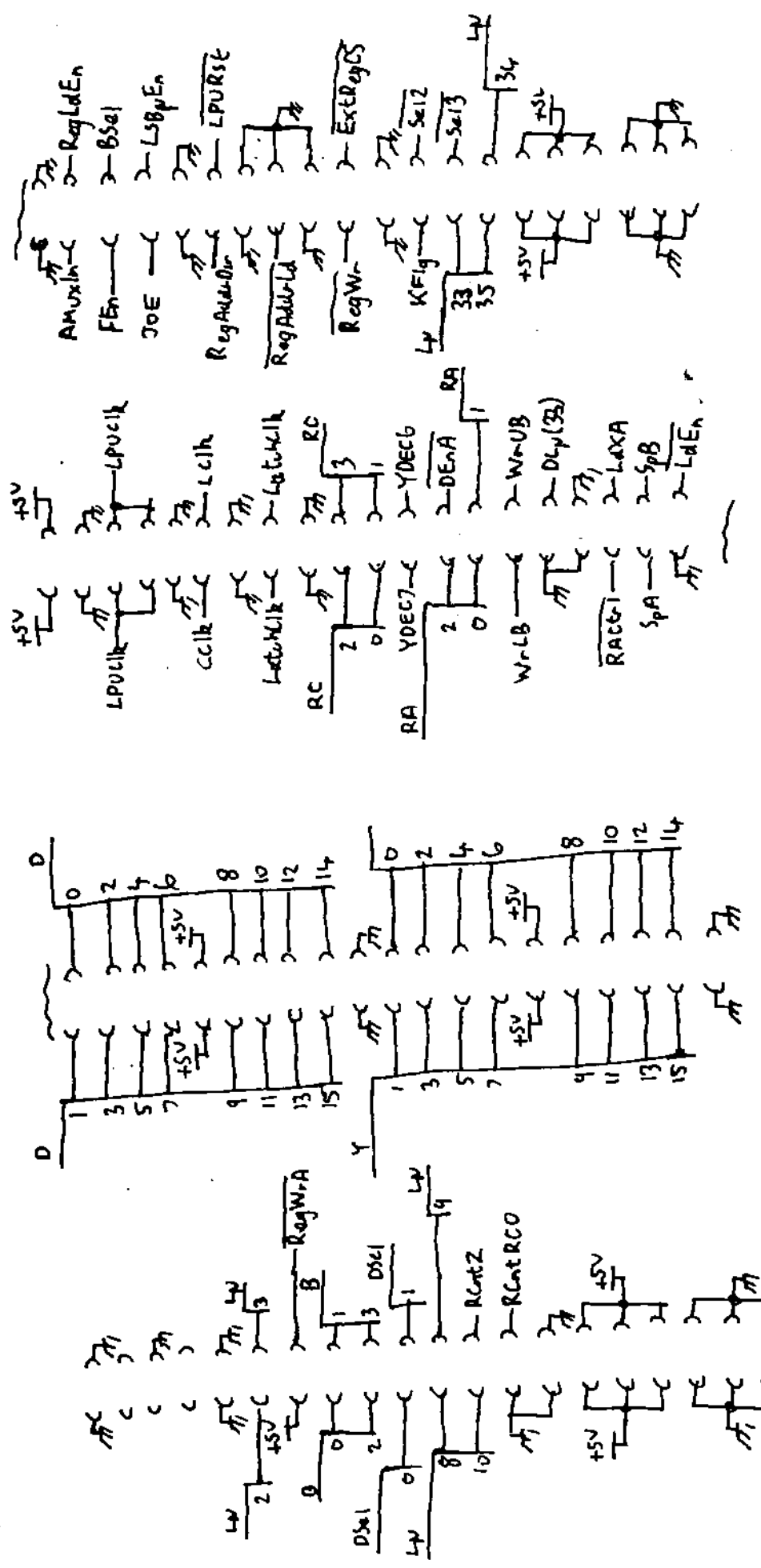






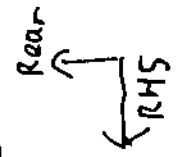


Shifter Control

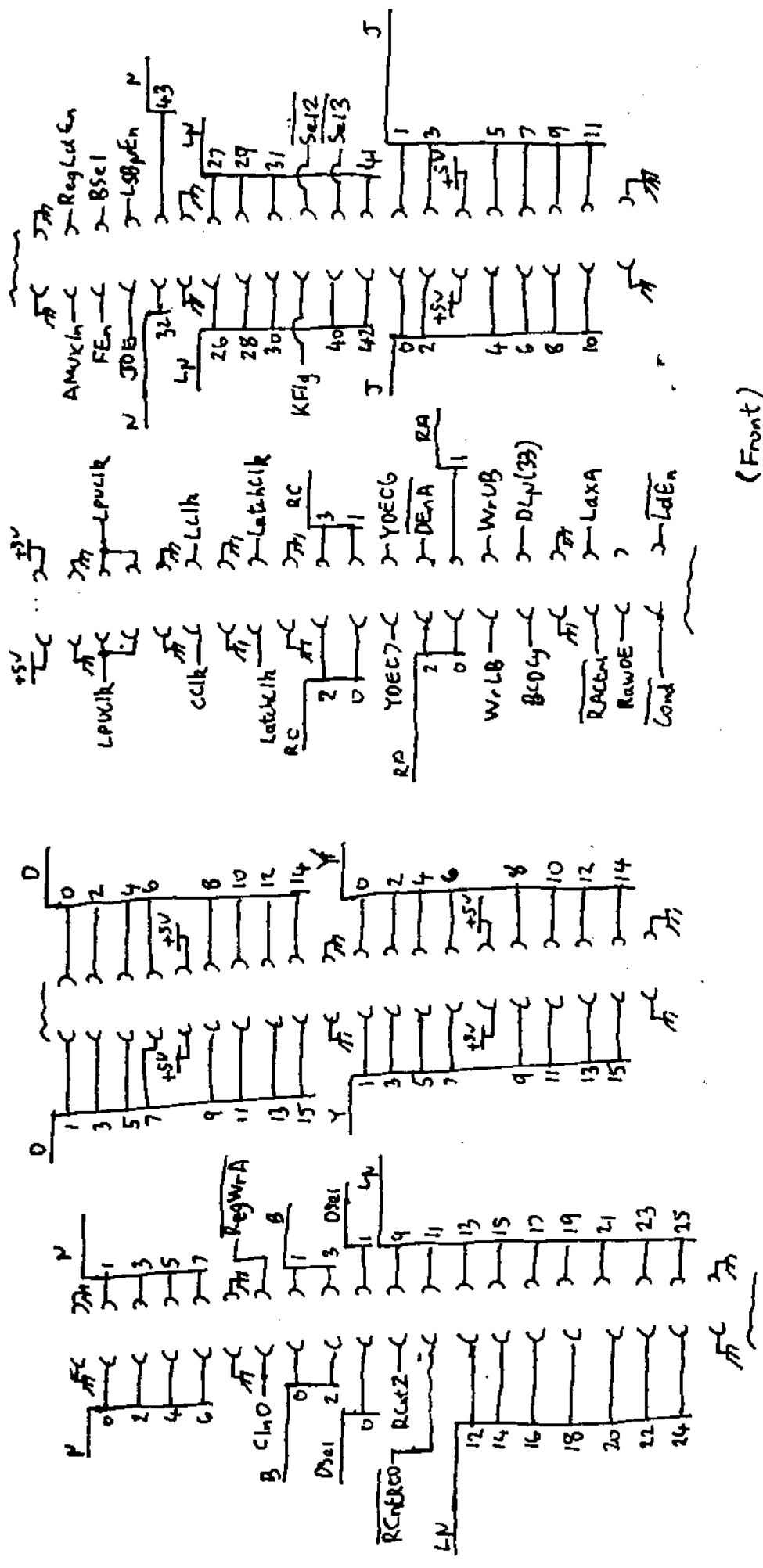


Interface PCB Connectors

(09845-66536)



(Front)



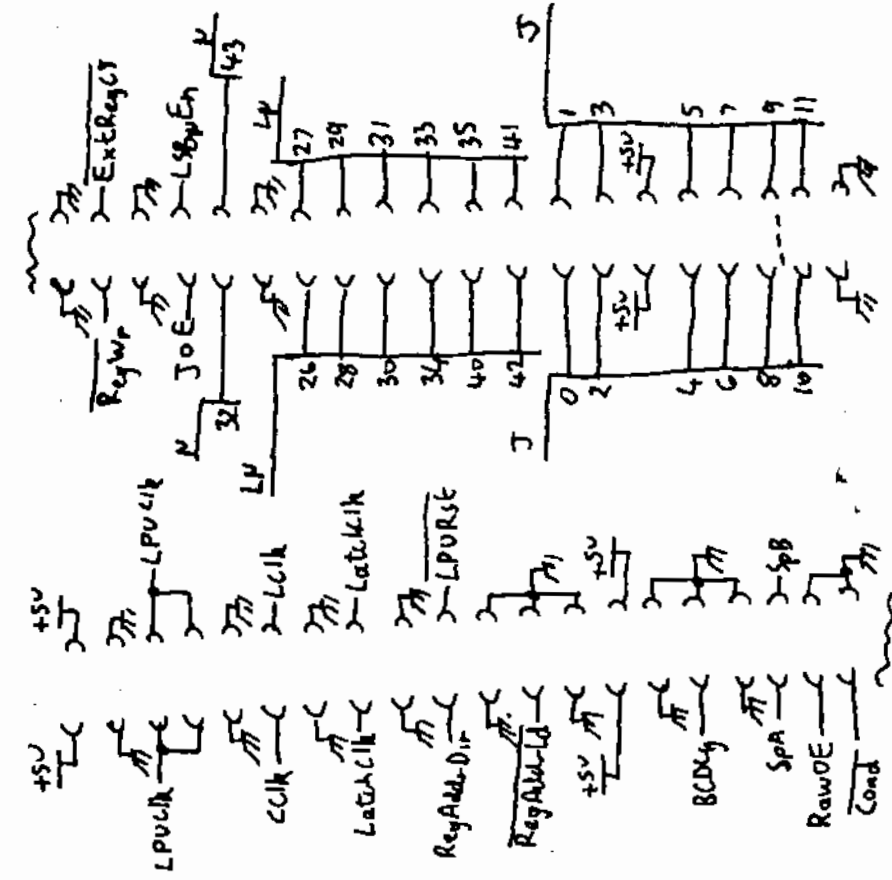
(Front)

(Rear)

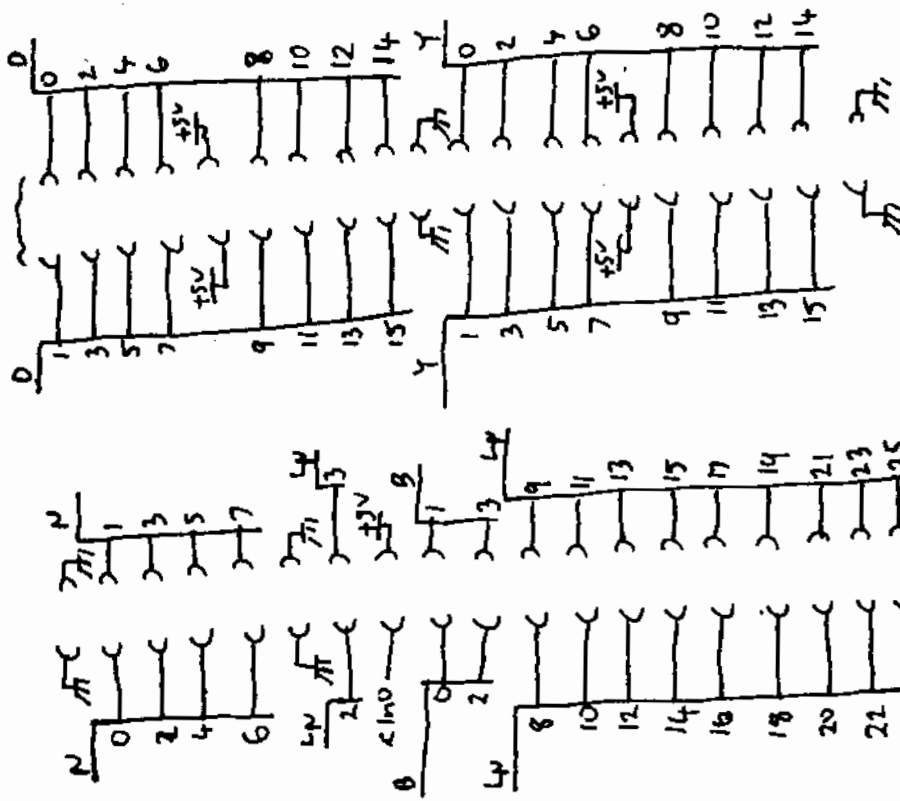
Data Path PCB Connectors

(09845-66537)





(Front)

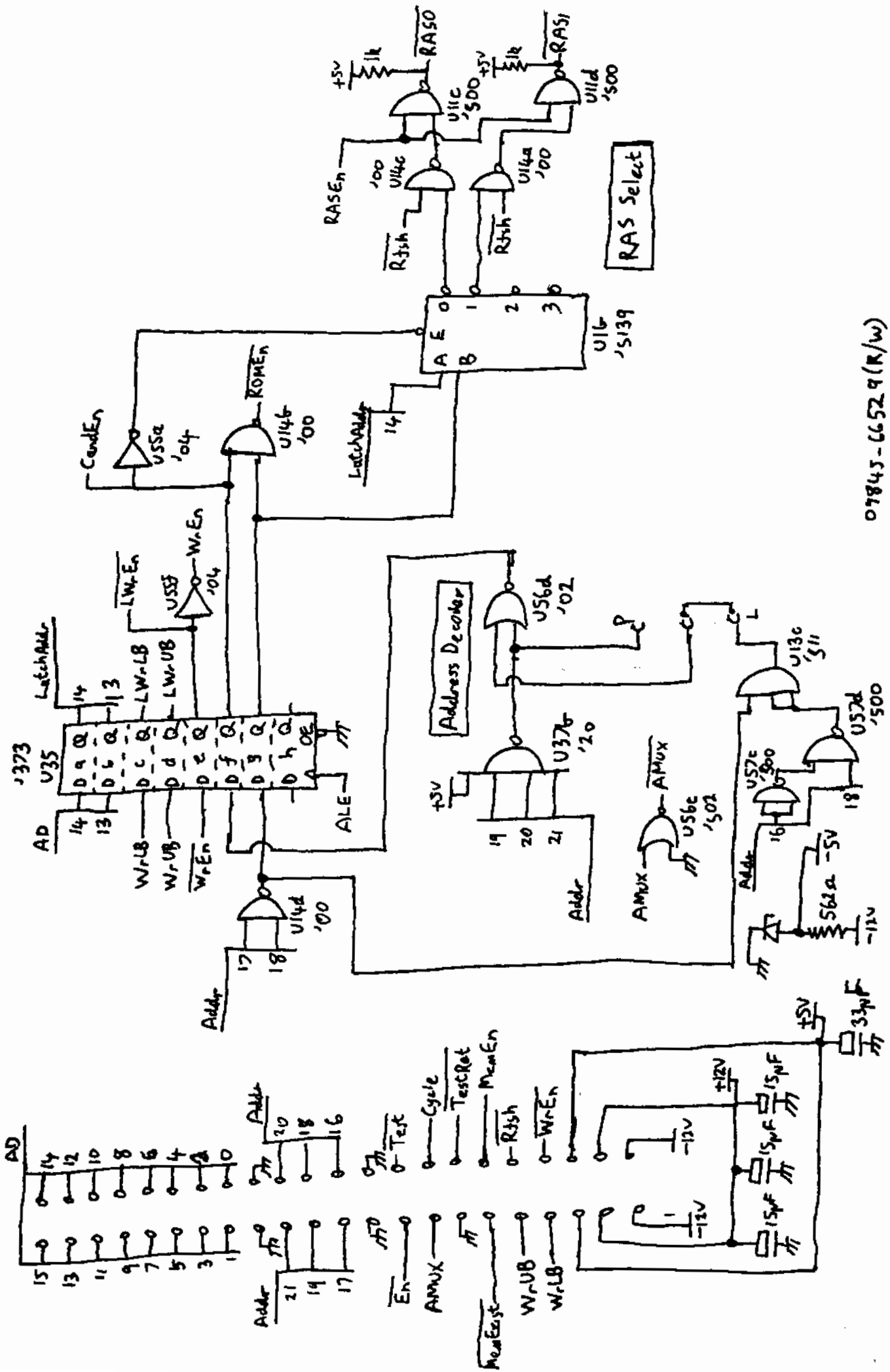


(Rear)

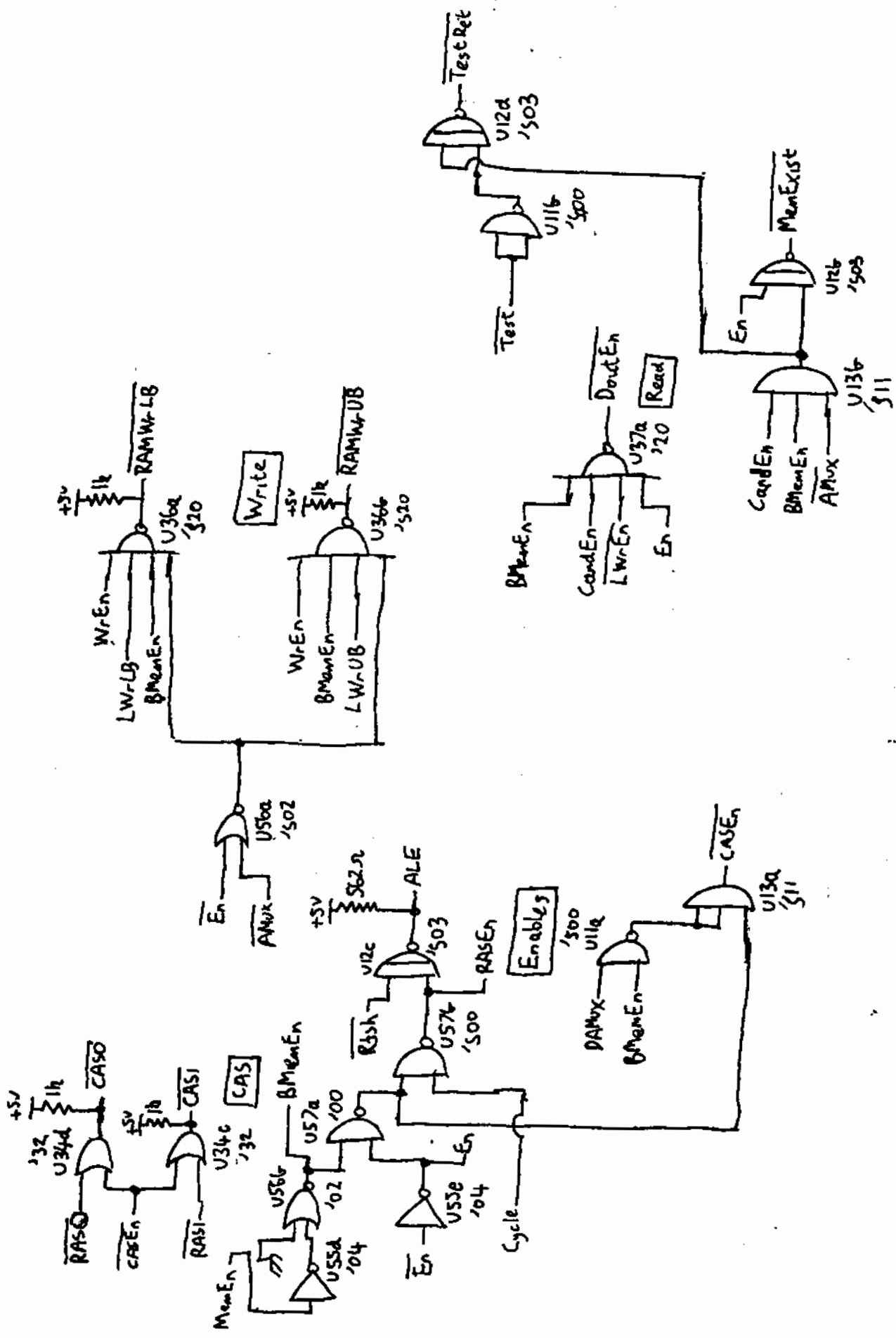
Control PCB Connectors

(09845-66538)

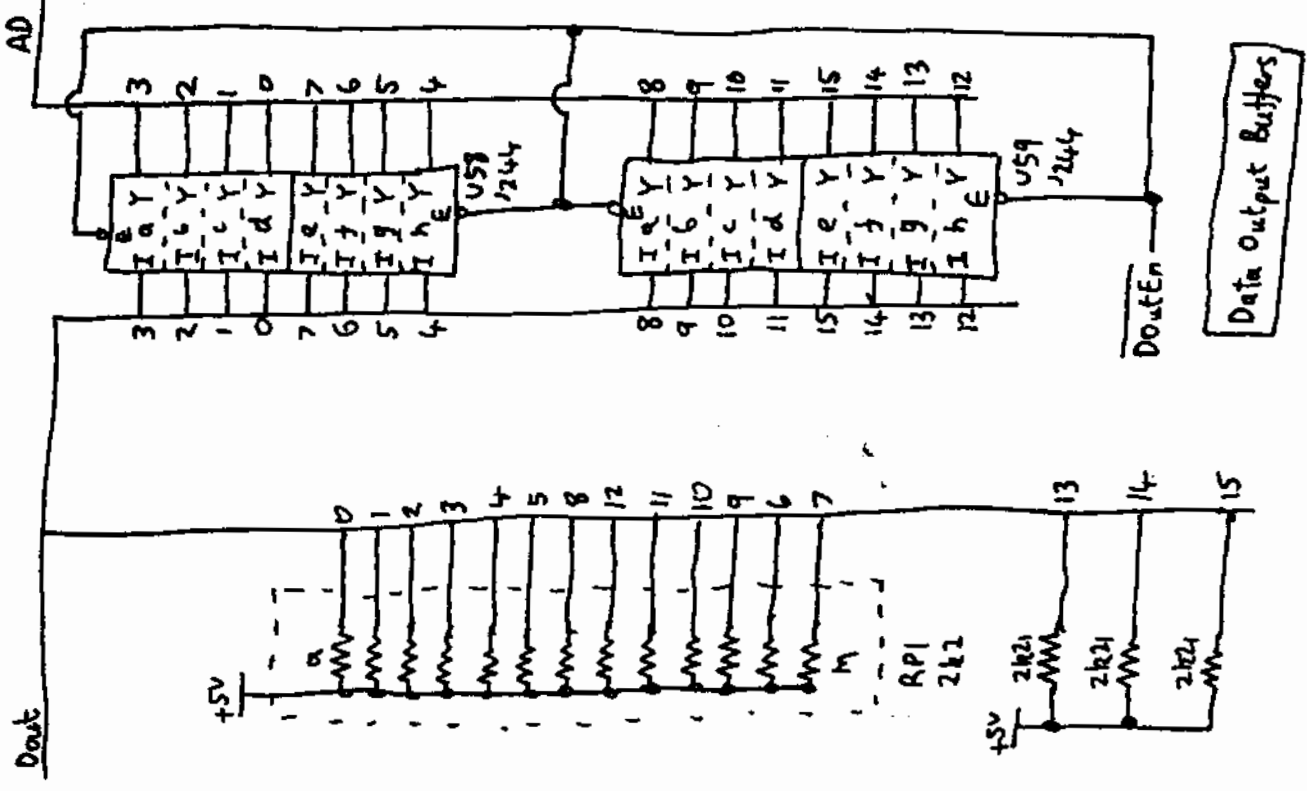




07845-66529(R/W)
 04845-66546(Y/B)

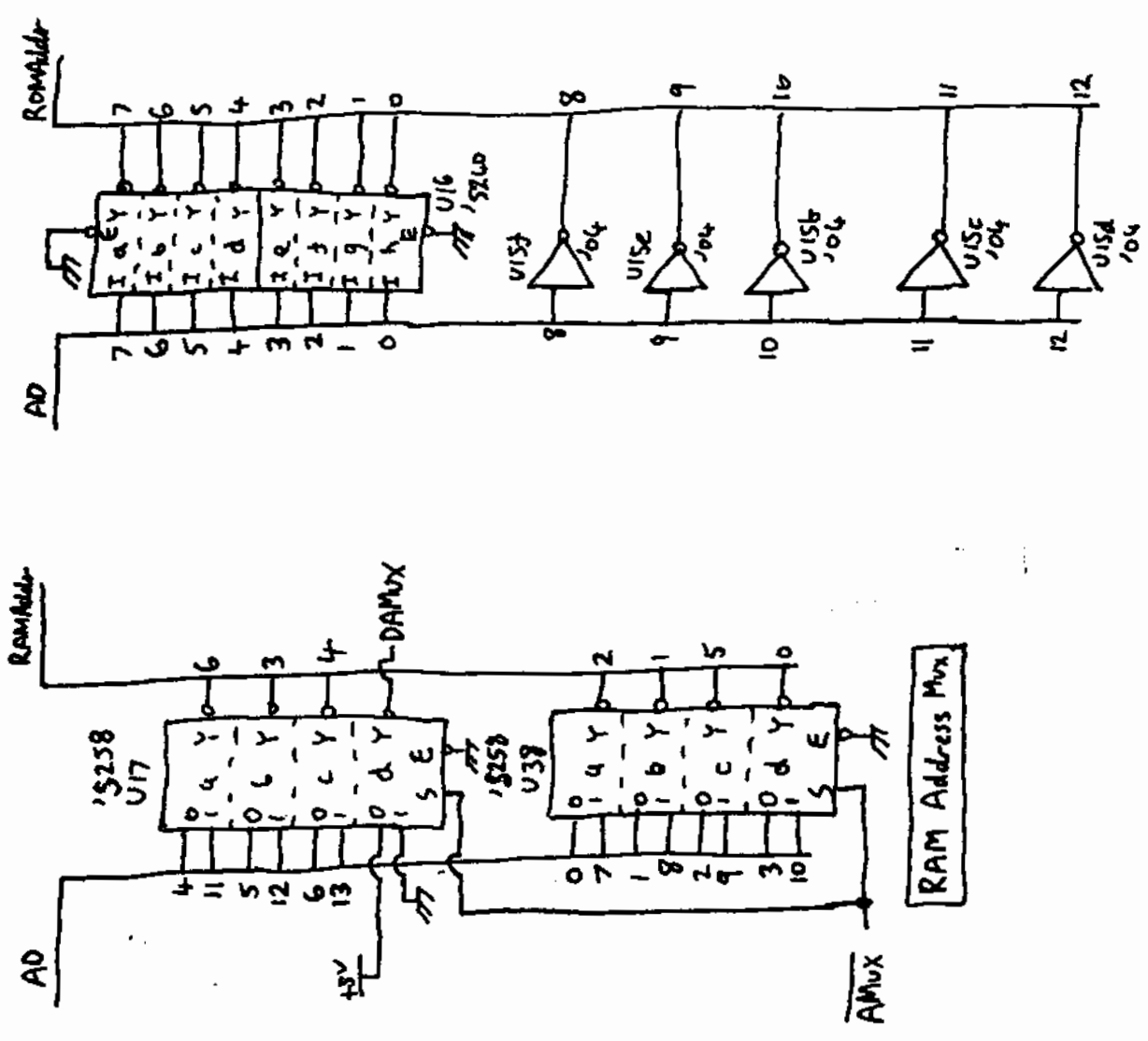


09845-66529 (RW)
 09845-66546 (Y/BU)



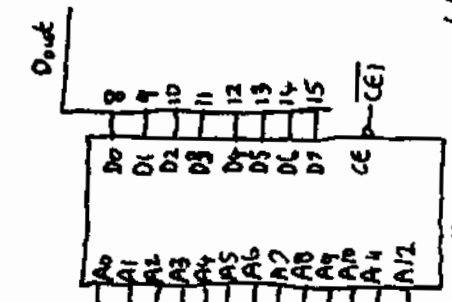
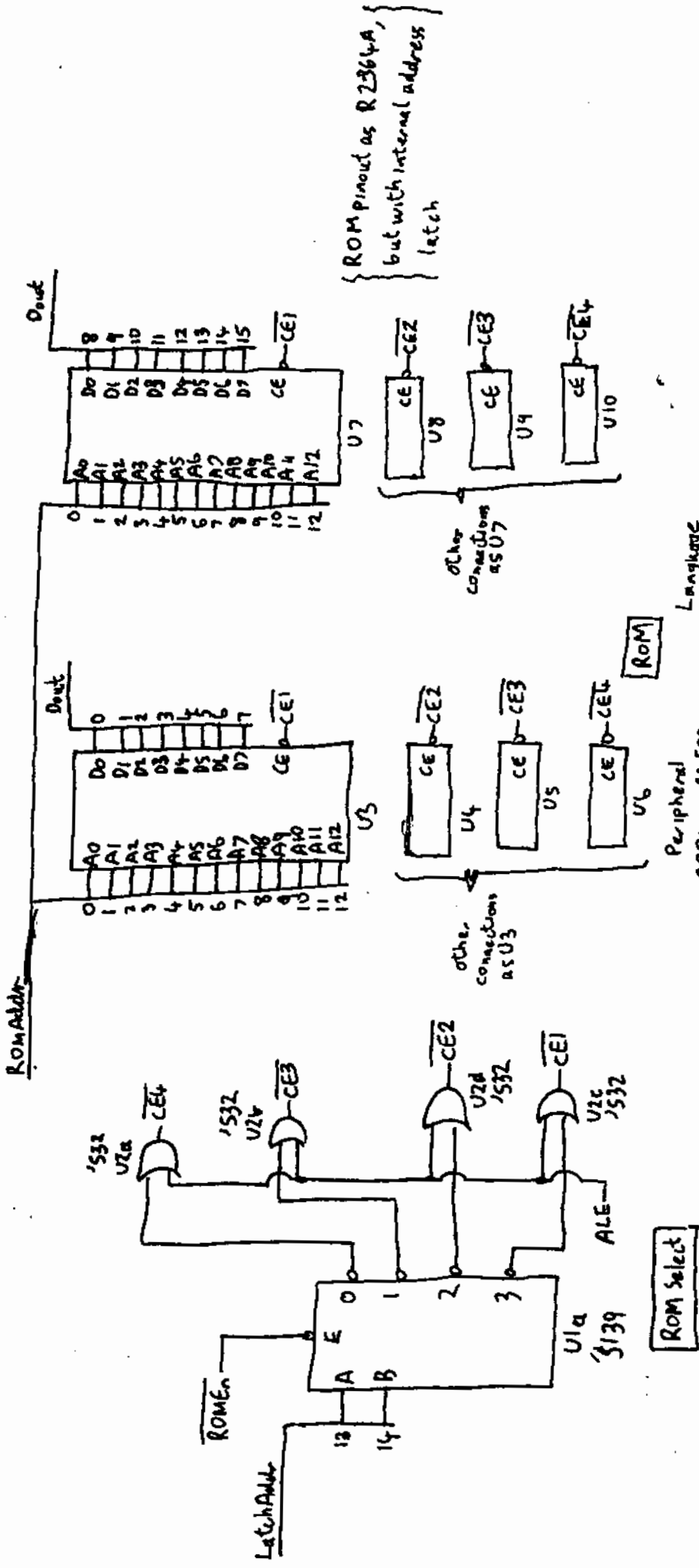
Data Output Buffers

09845-66529 (R/W)
09845-66546 (Y/Bu)

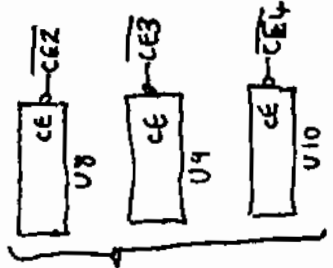


RAM Address Buffers

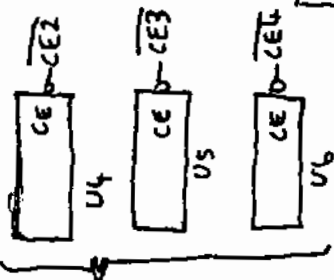
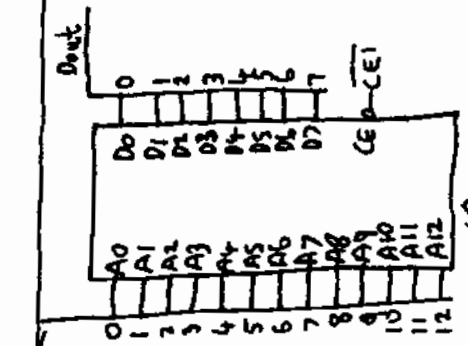
HP9845 ROM/RAM PCB Sheet ③



ROM pinout as R2364A,
but with internal address
latch



Other connections as U7



Other connections as U3

Language
09845-66546

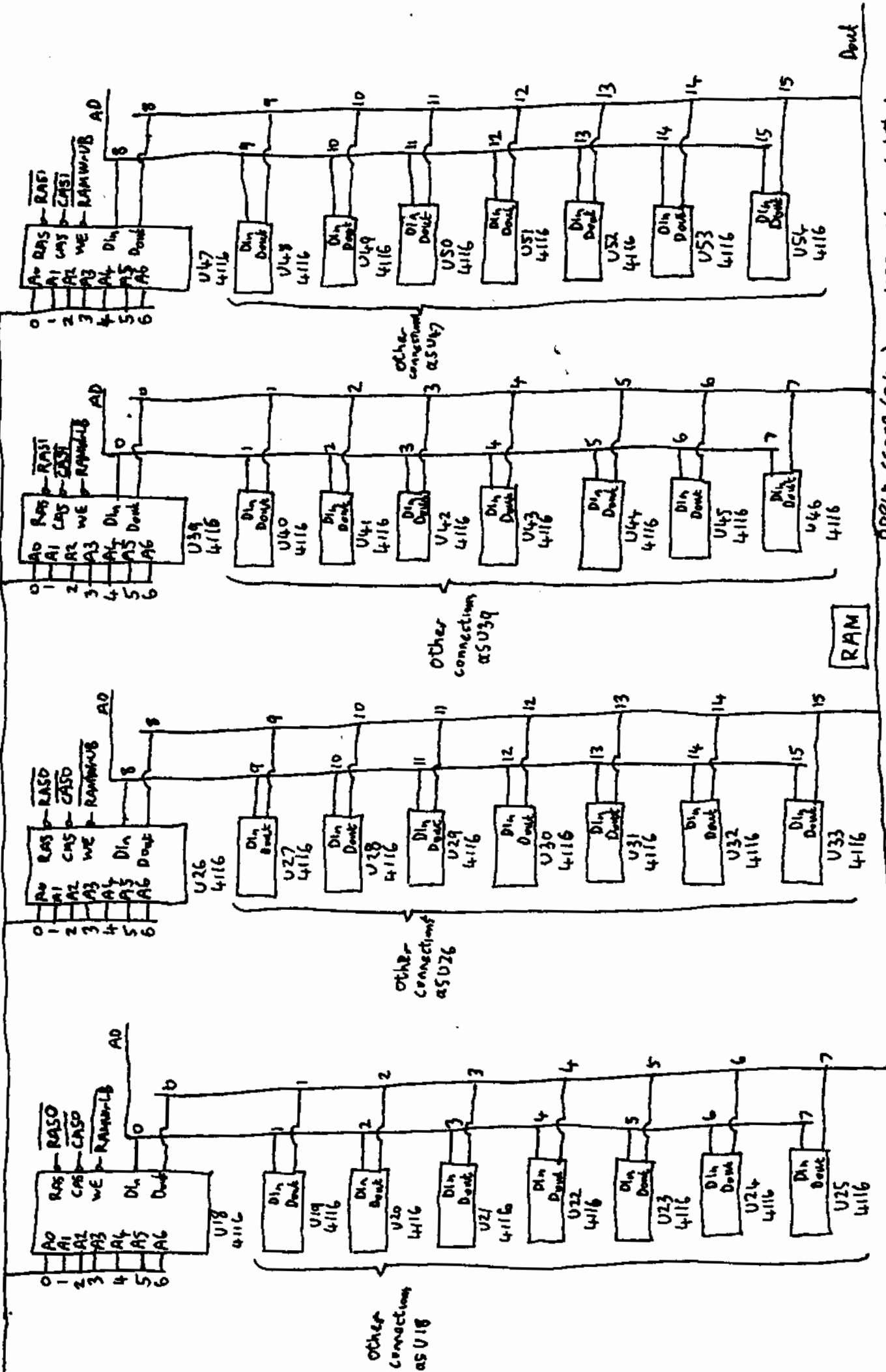
- 1818-1506
- 1818-1507
- 1818-1508
- 1818-1509
- 1818-1502
- 1818-1503
- 1818-1504
- 1818-1505

Peripheral
09845-66529

- U3 1818-1591
- U4 1818-0836
- U5 1818-0837
- U6 1818-1898
- U7 1818-1592
- U8 1818-0832
- U9 1818-0833
- U10 1818-1819

09845-66529 (RAM)
09845-66546 (Y/Bu)

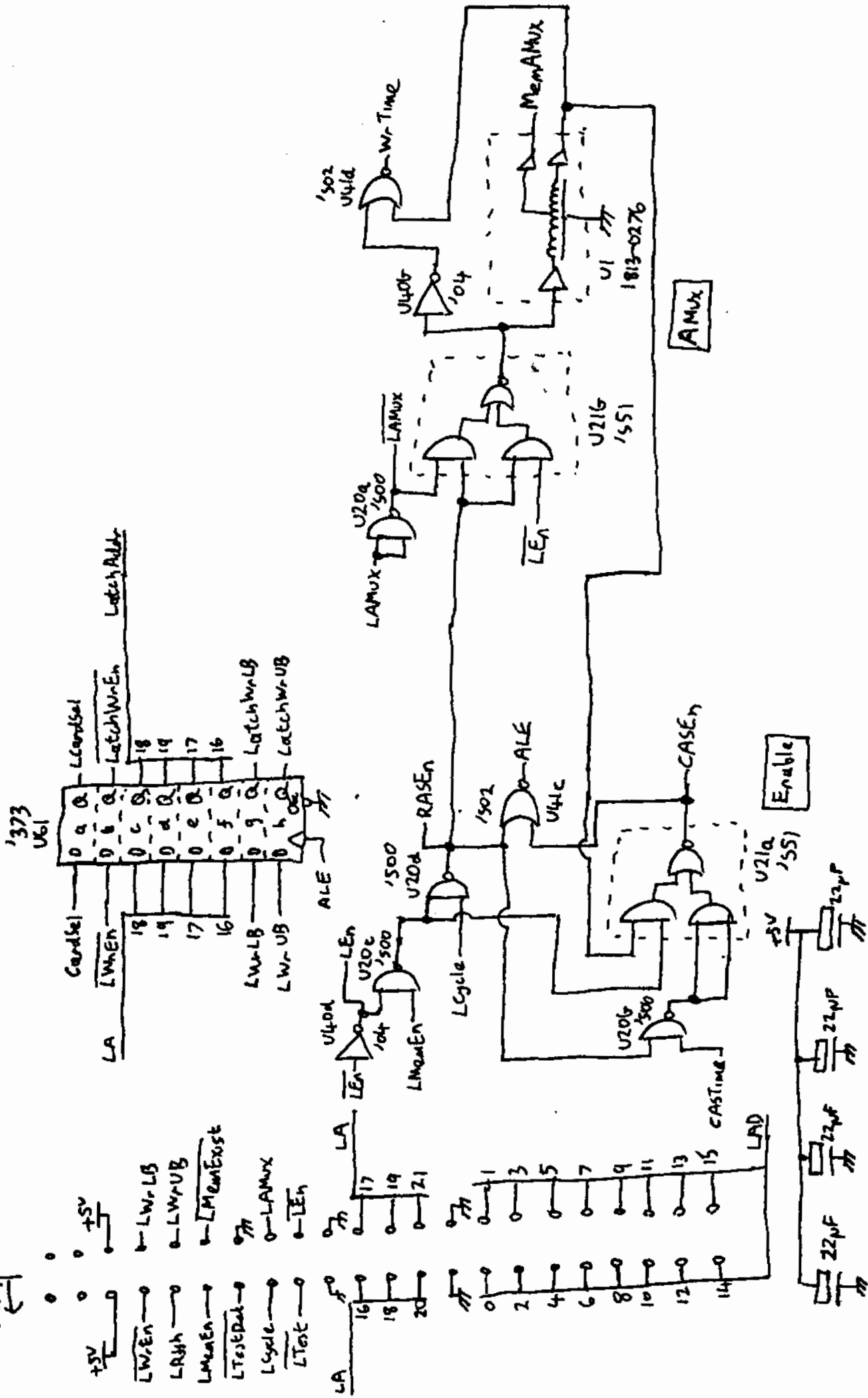
RAMAddr

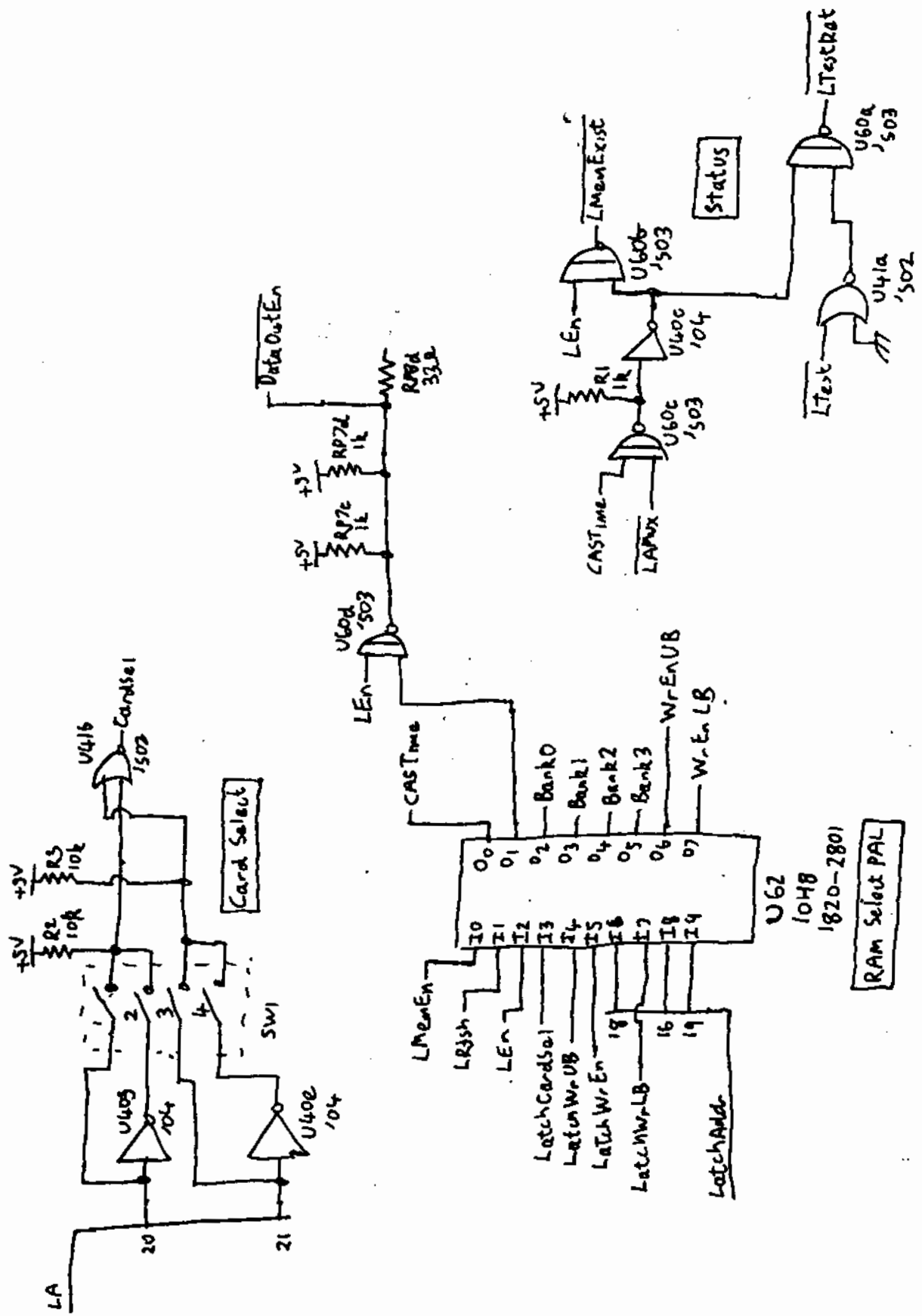


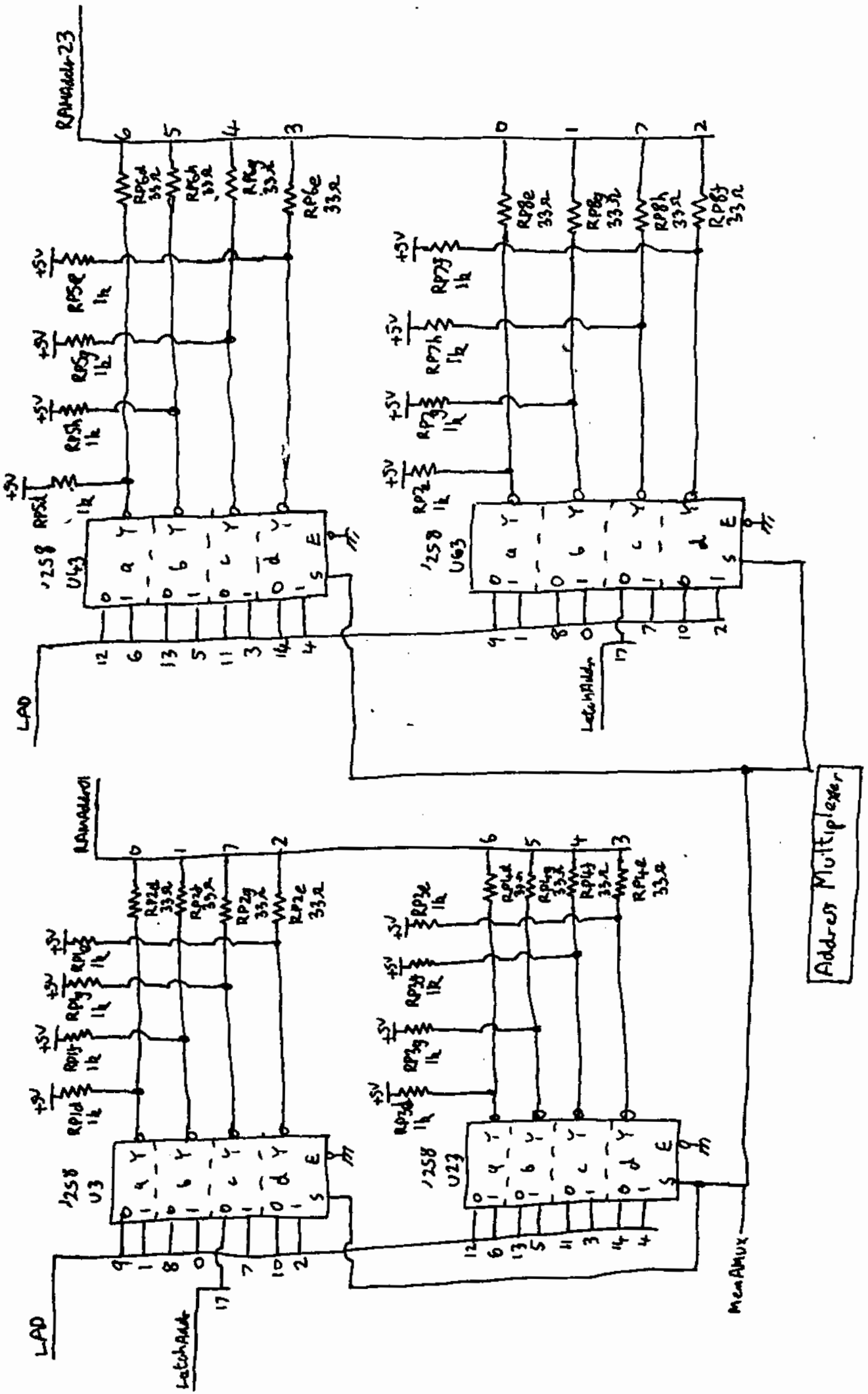
09845-66529 (R/W)
09845-66546 (Y/Bu)

U39m U47 not fitted
on 09845-66529

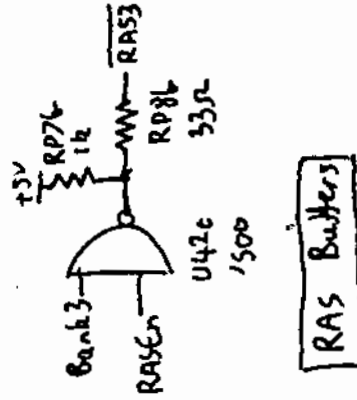
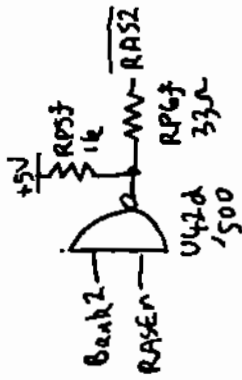
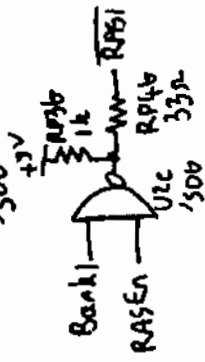
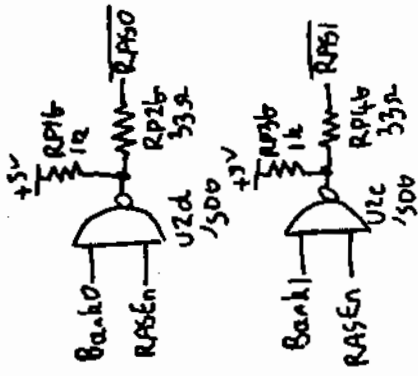
Rear
LHS ↑



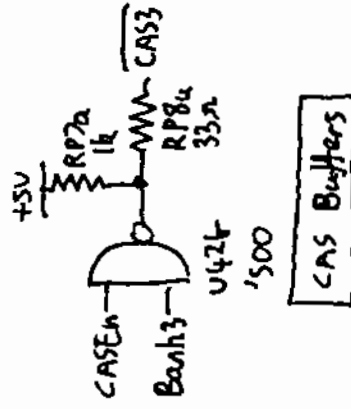
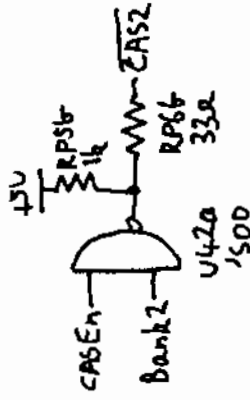
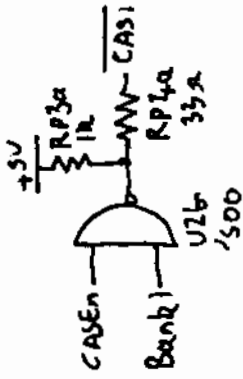
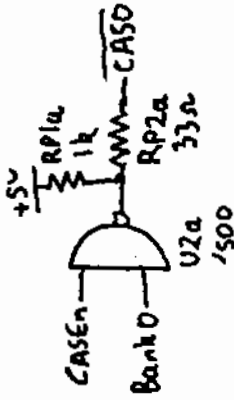




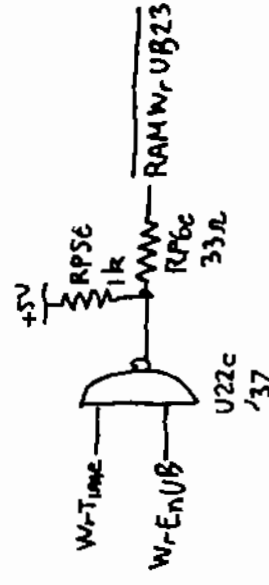
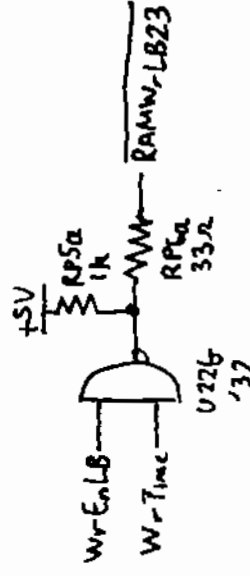
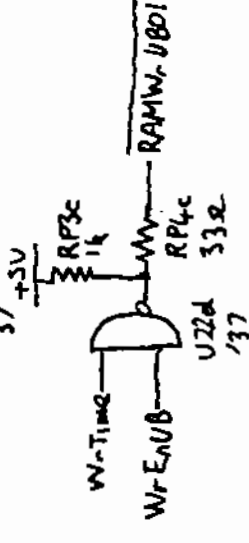
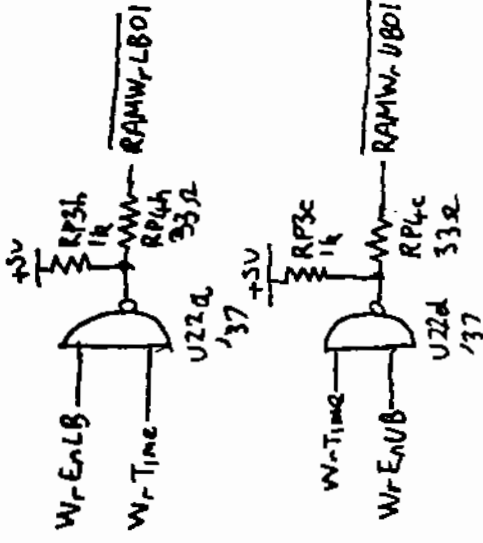
HP9845 256K RAM PCB Sheet ③ 09845-66590 (w/8k)



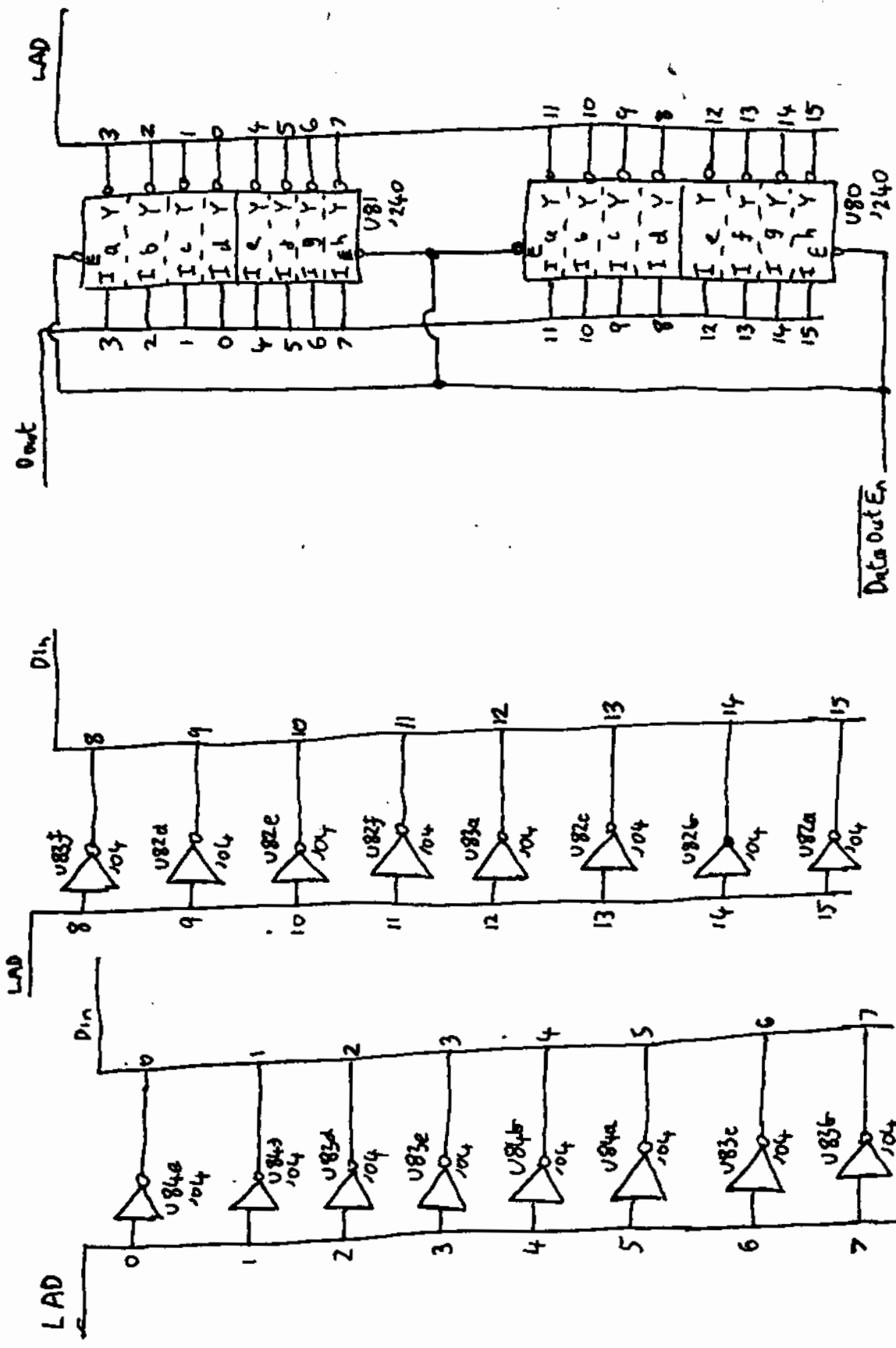
RAS Buffers



CAS Buffers



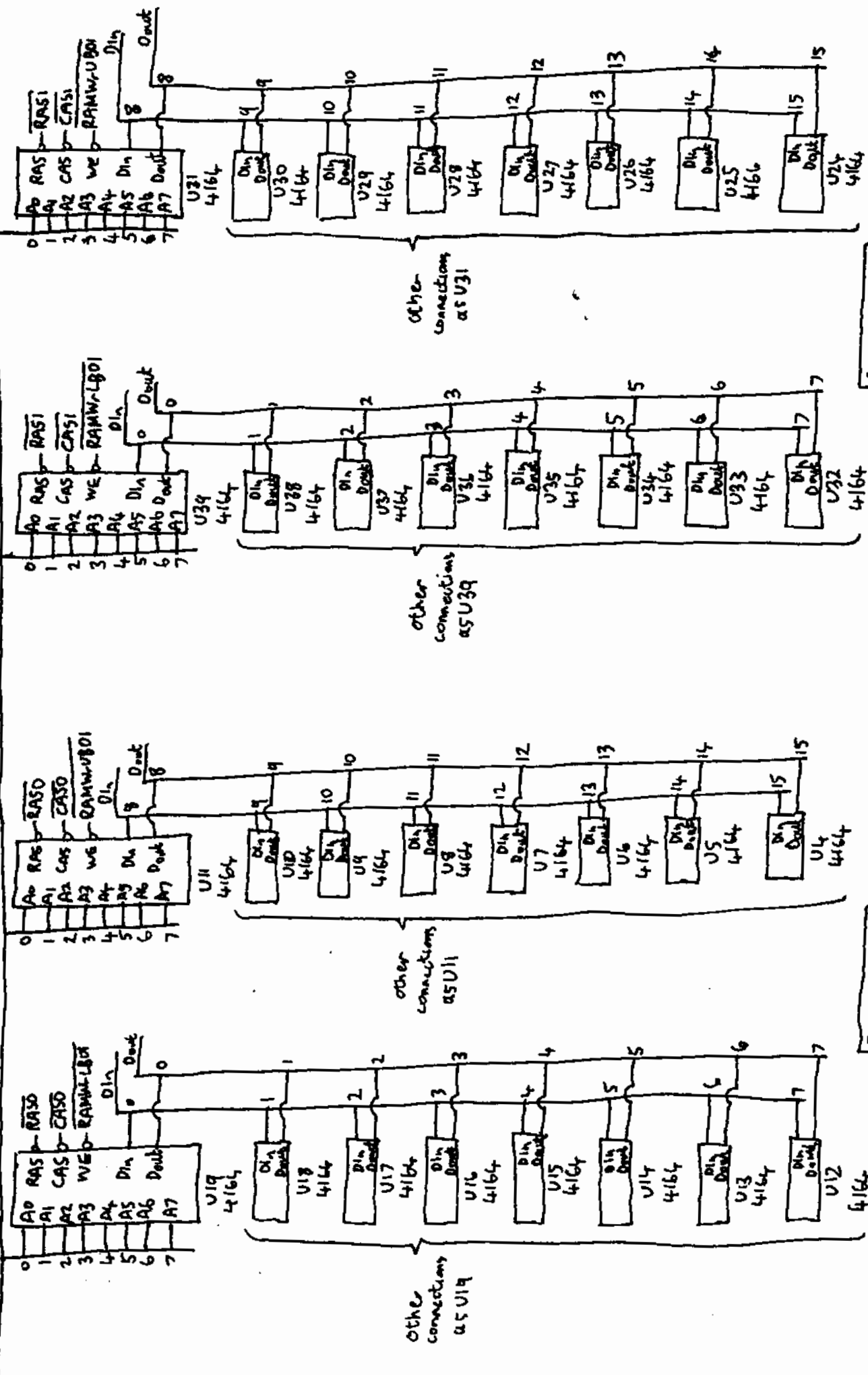
RAM Write Buffers



Data Output Buffers

Data Input Buffers

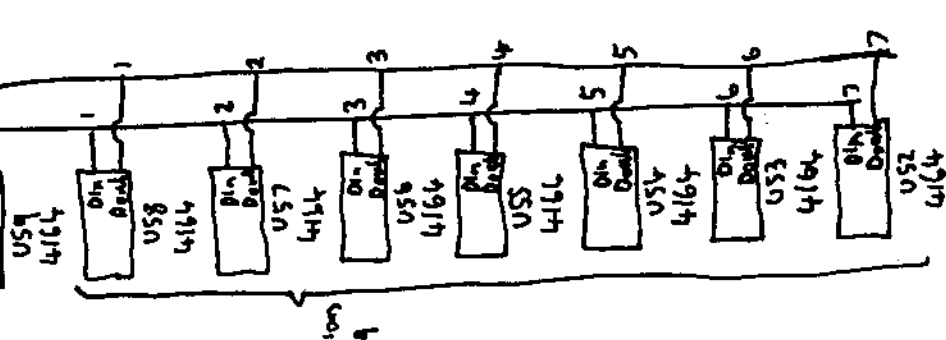
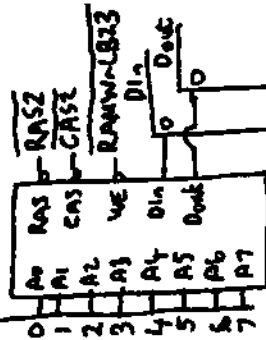
RAM0000-01



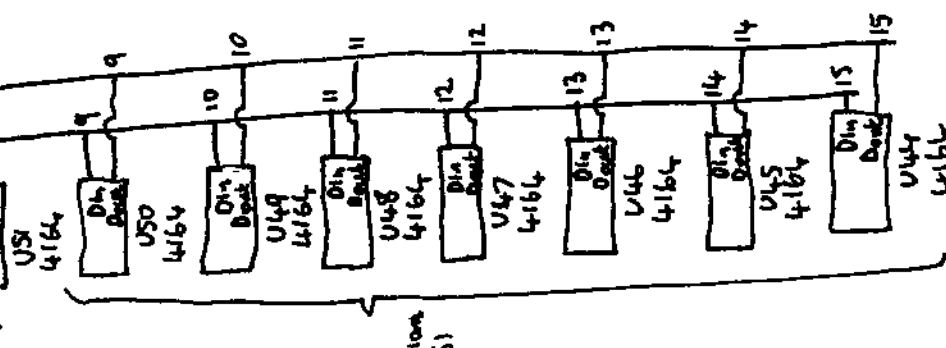
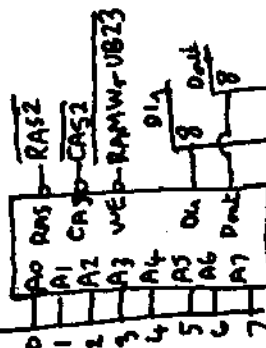
RAM Bank 0

RAM Bank 1

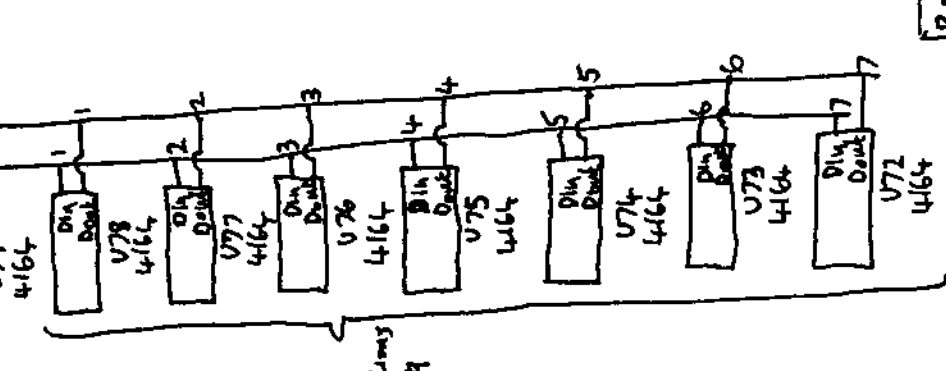
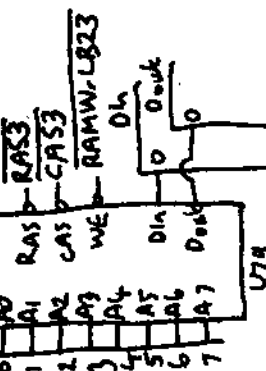
RAMA6-23



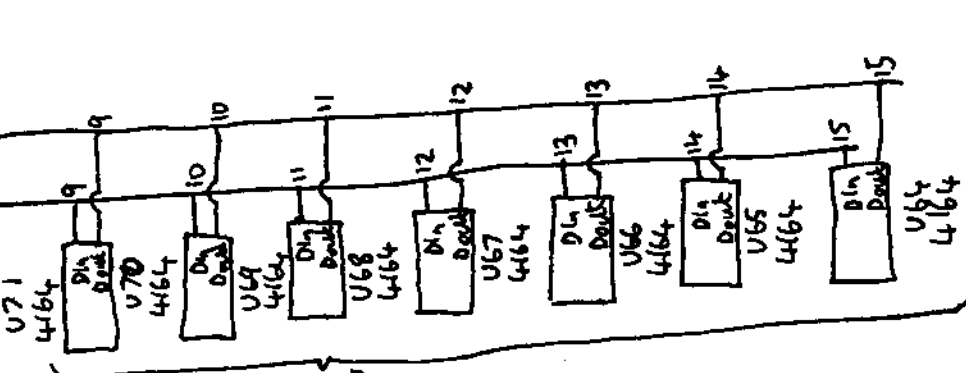
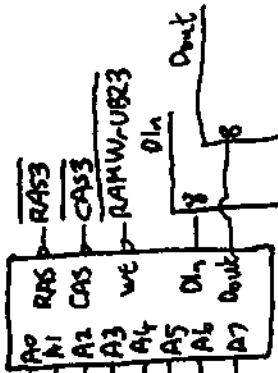
RAM Bank 2



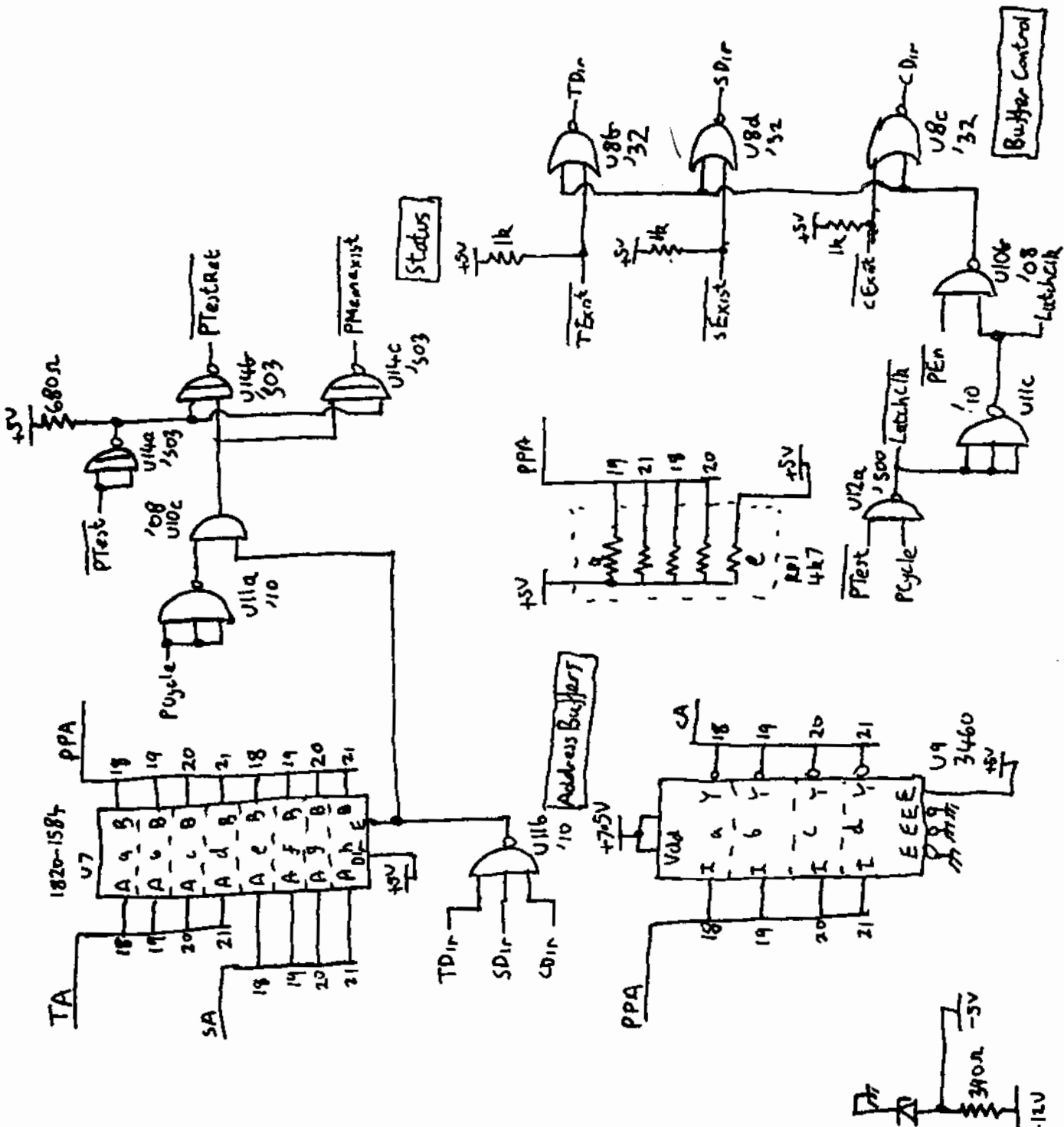
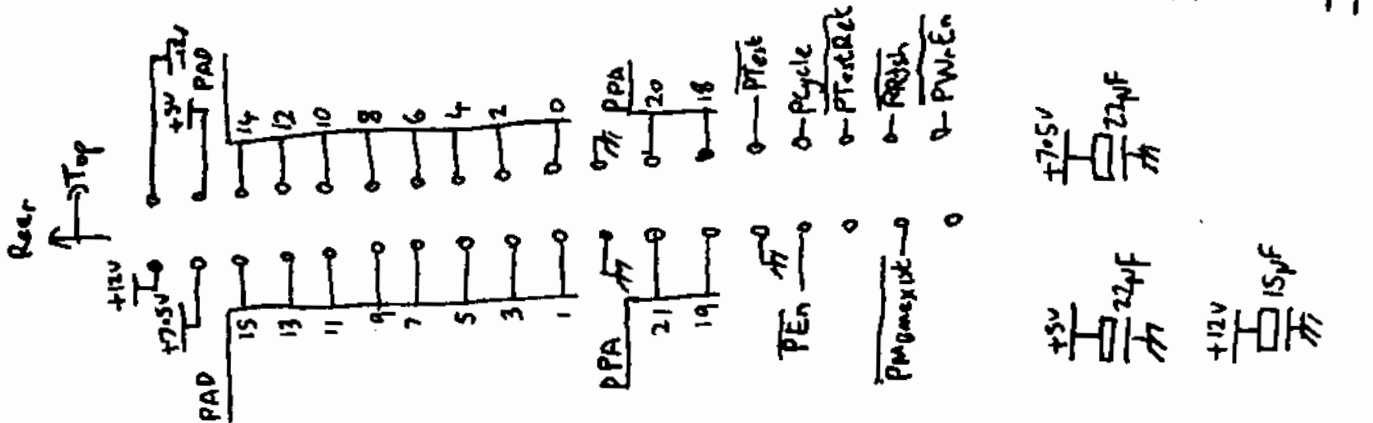
RAM Bank 1



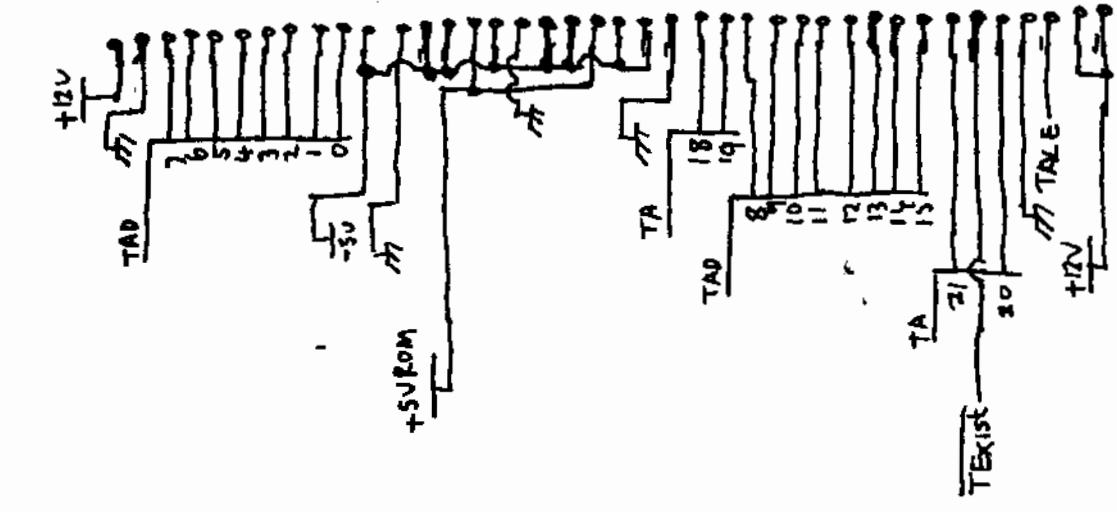
RAM Bank 3



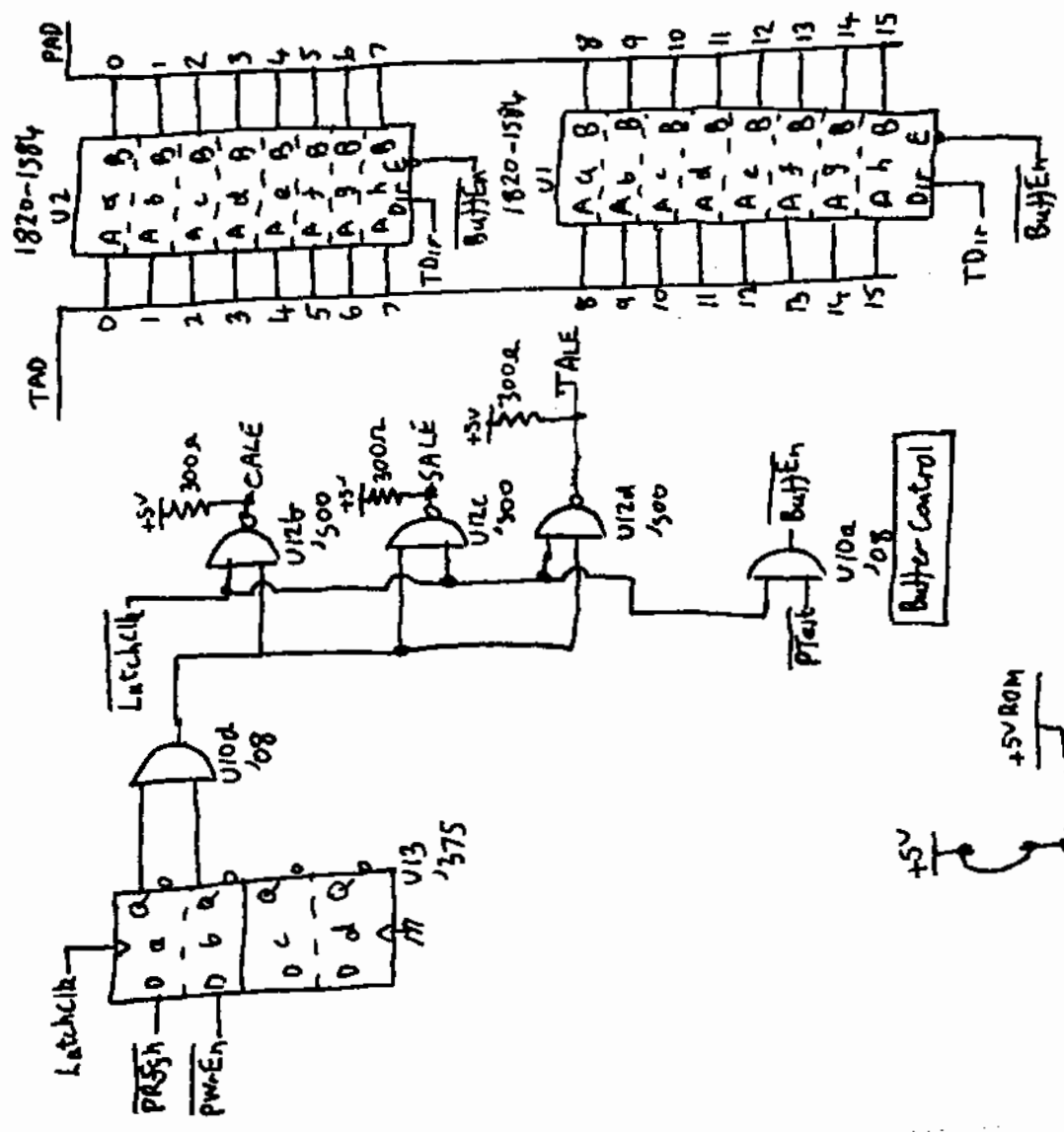
Other connections as U71

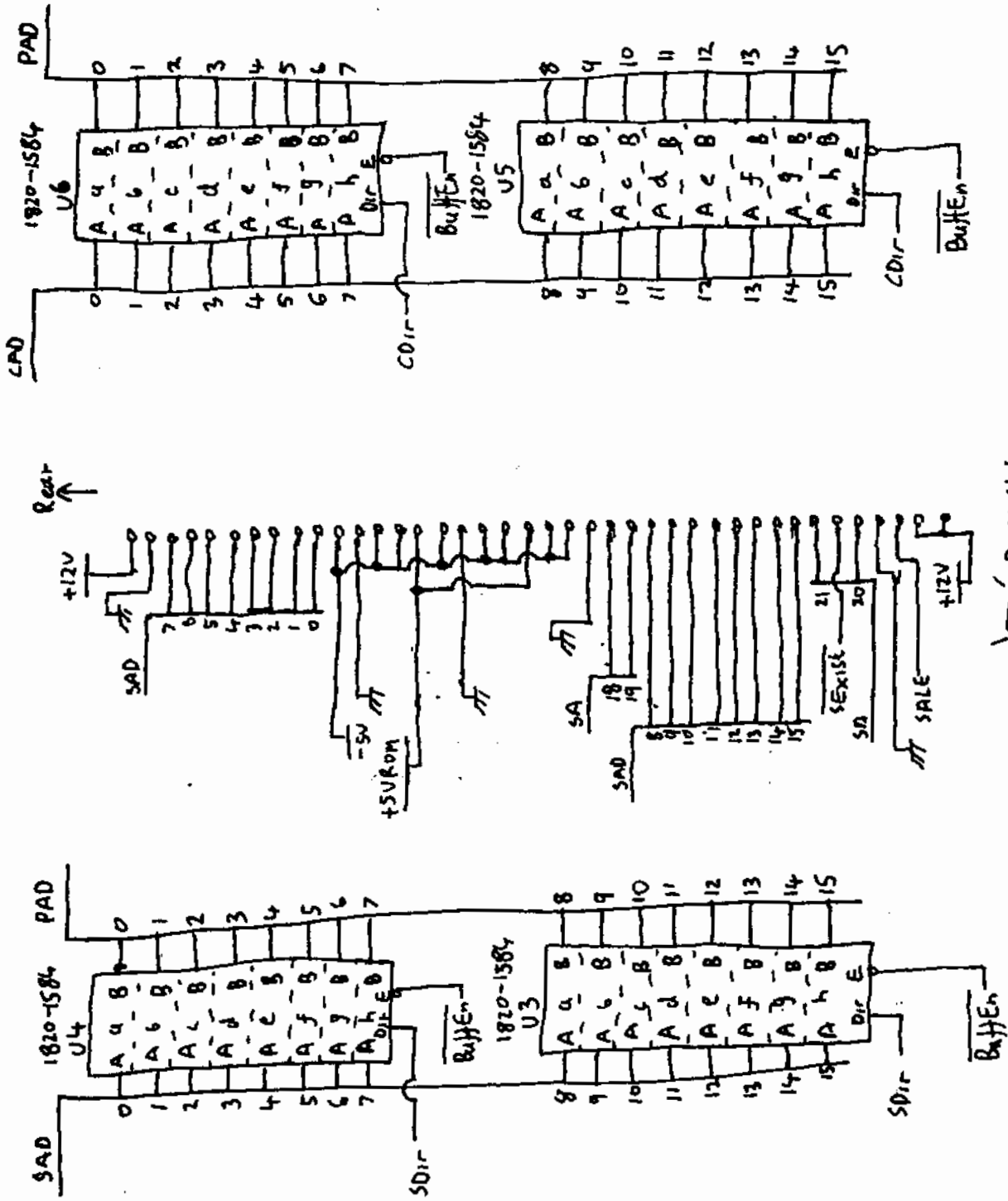


Rear ↑

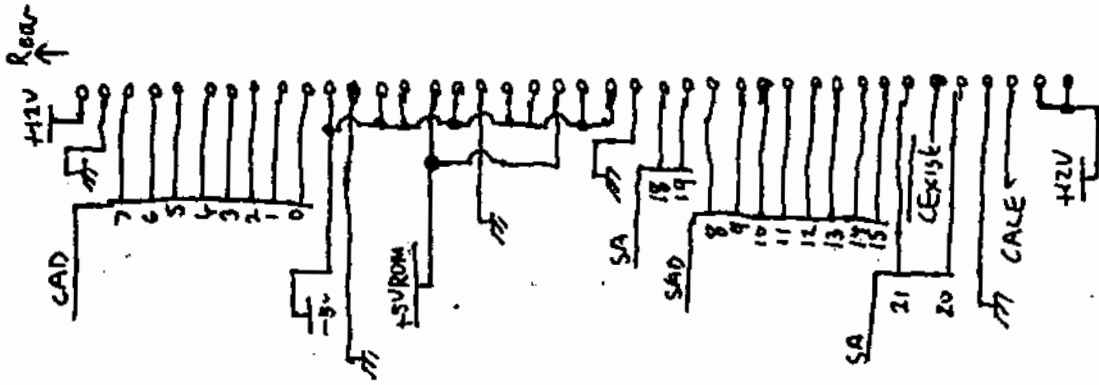


△ Rom slot
(Typical of 3)

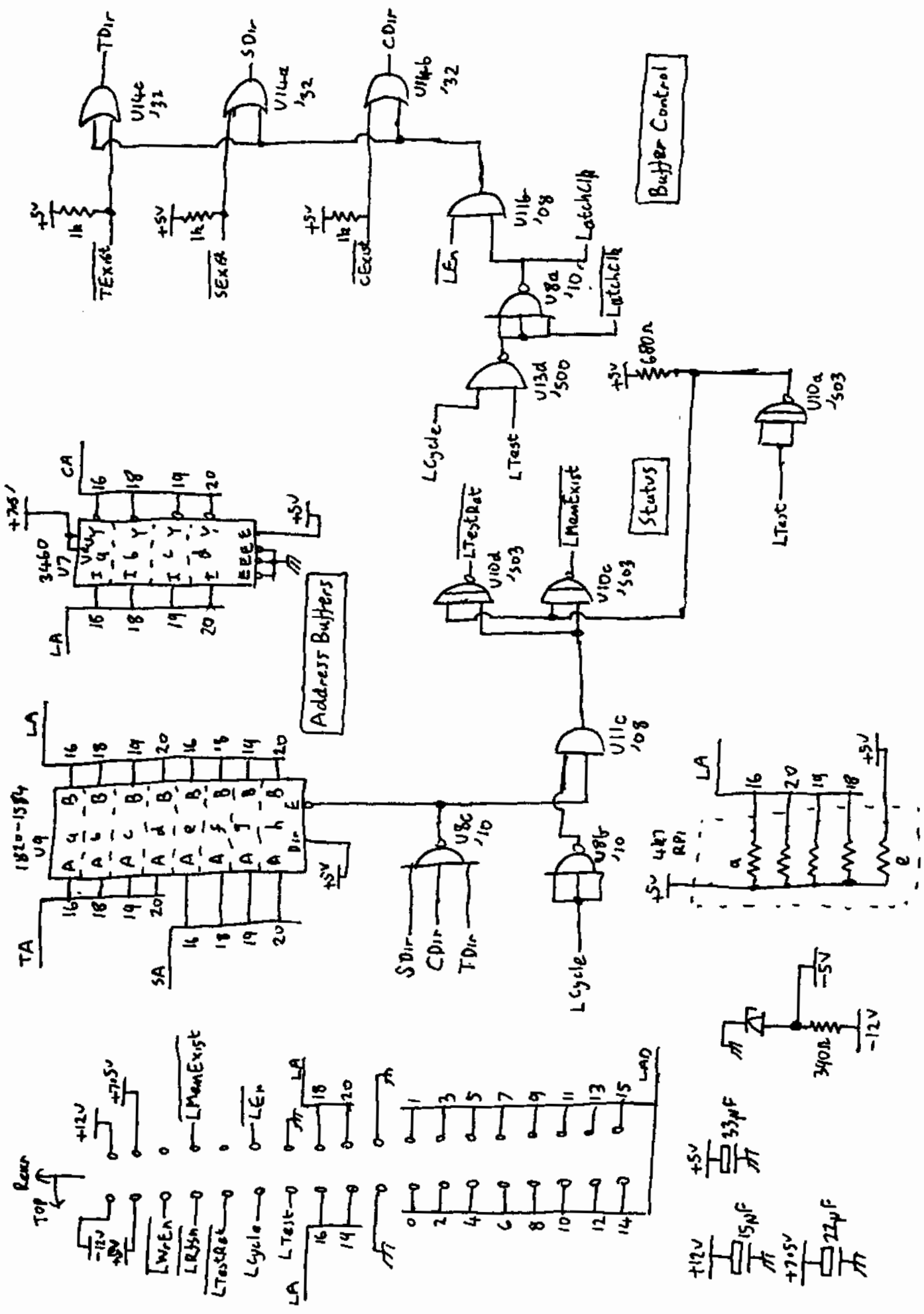




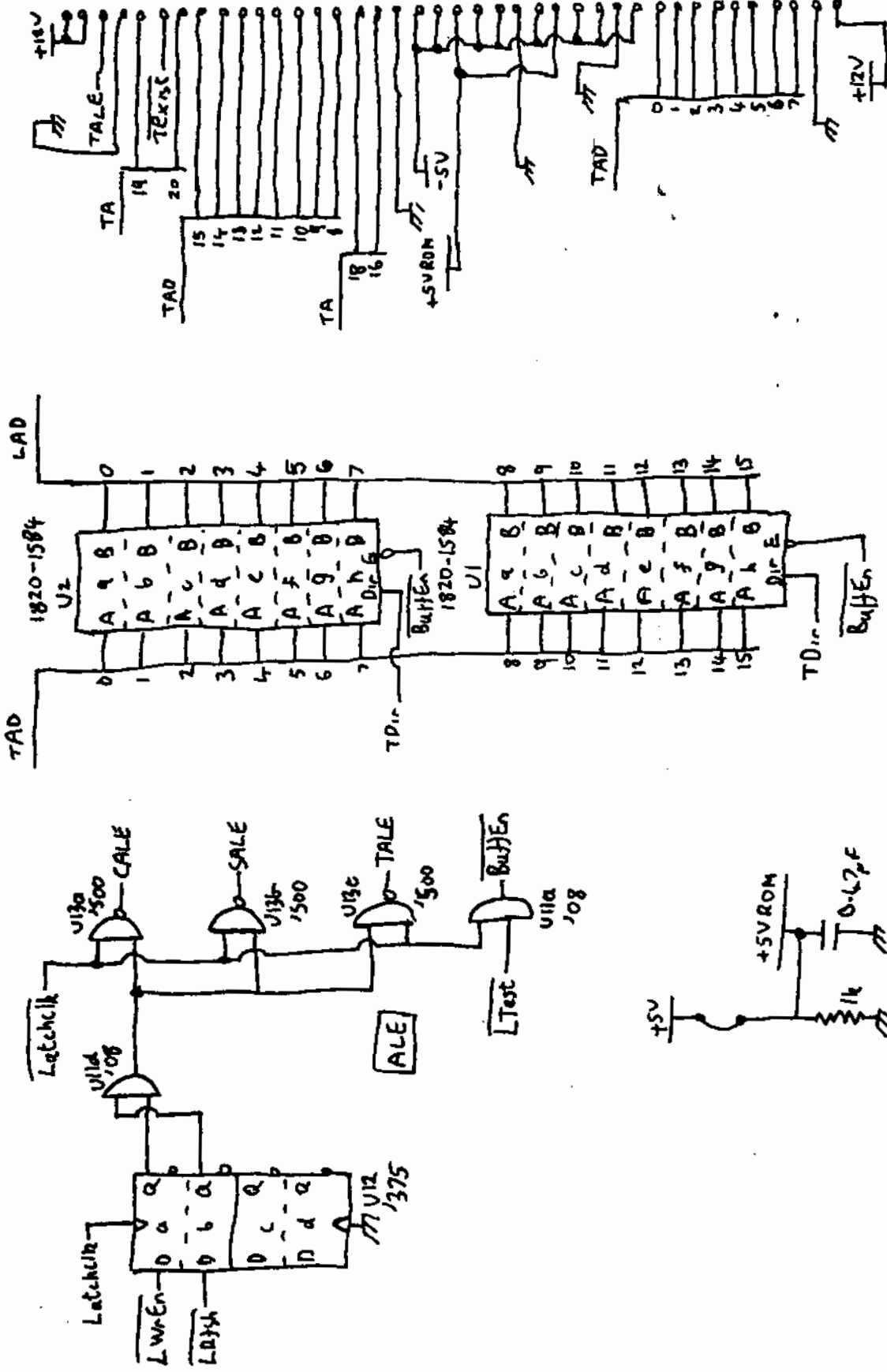
ROM slot
(Typical of 2)



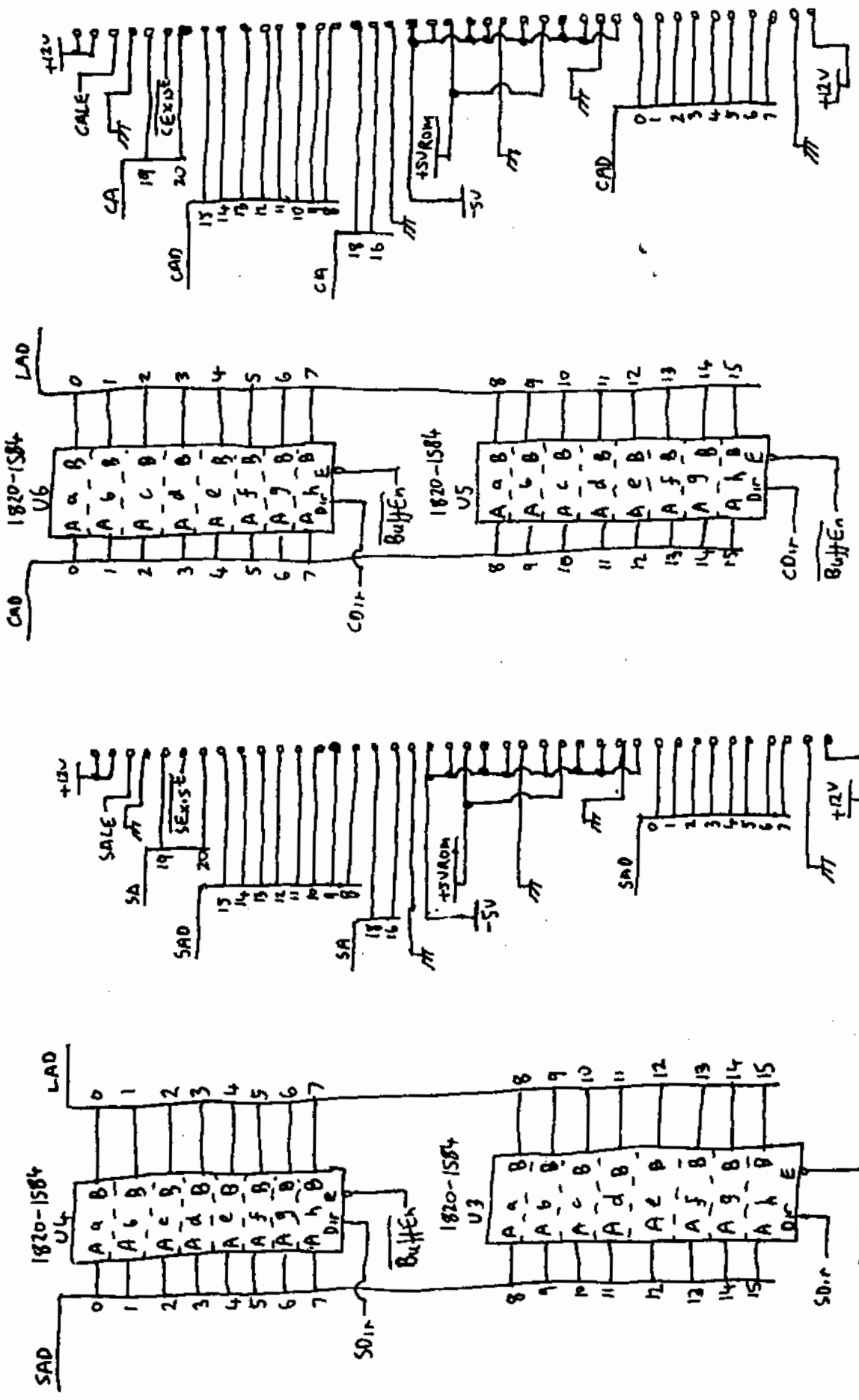
ROM slot
(Typical of 3)



Rear
↑

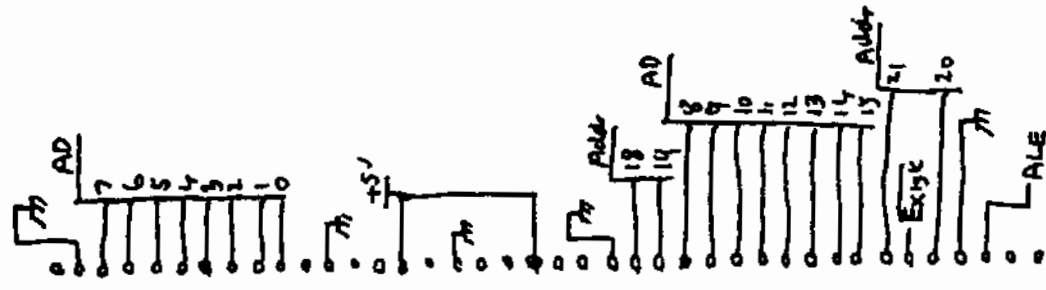
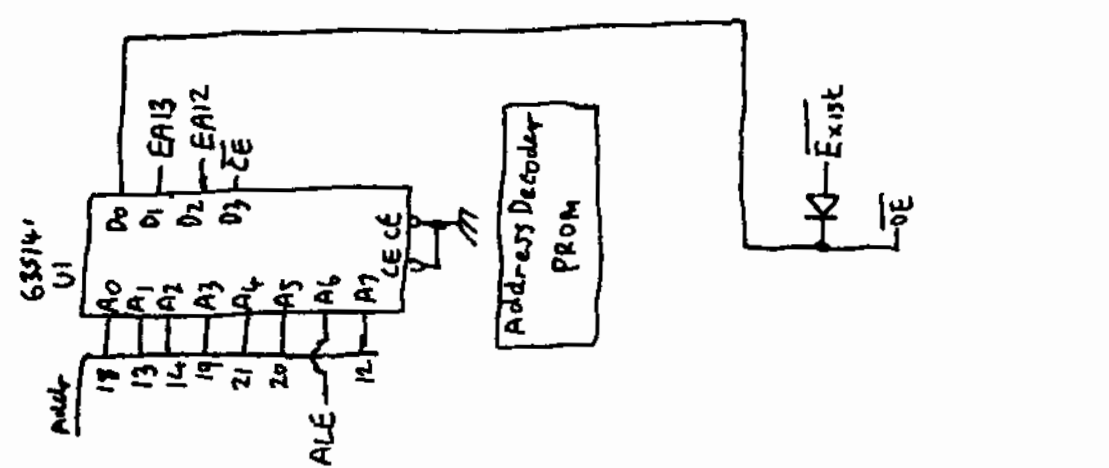
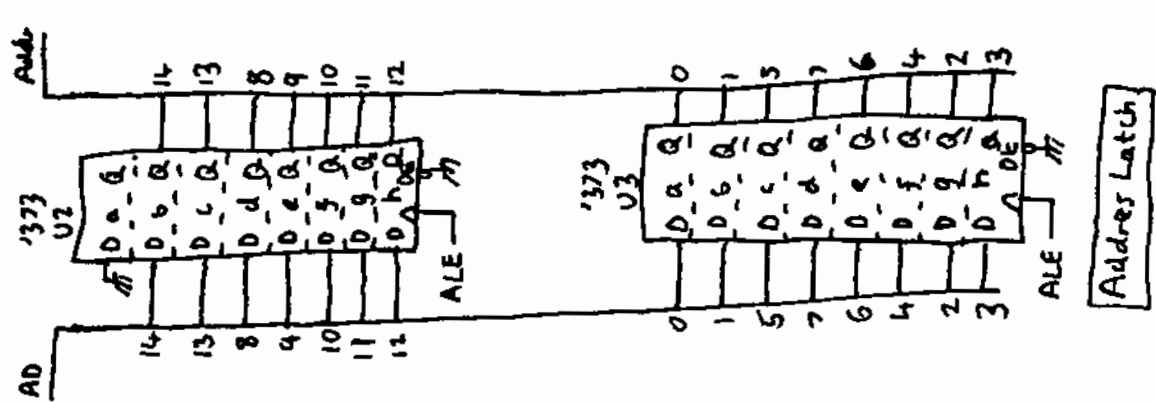
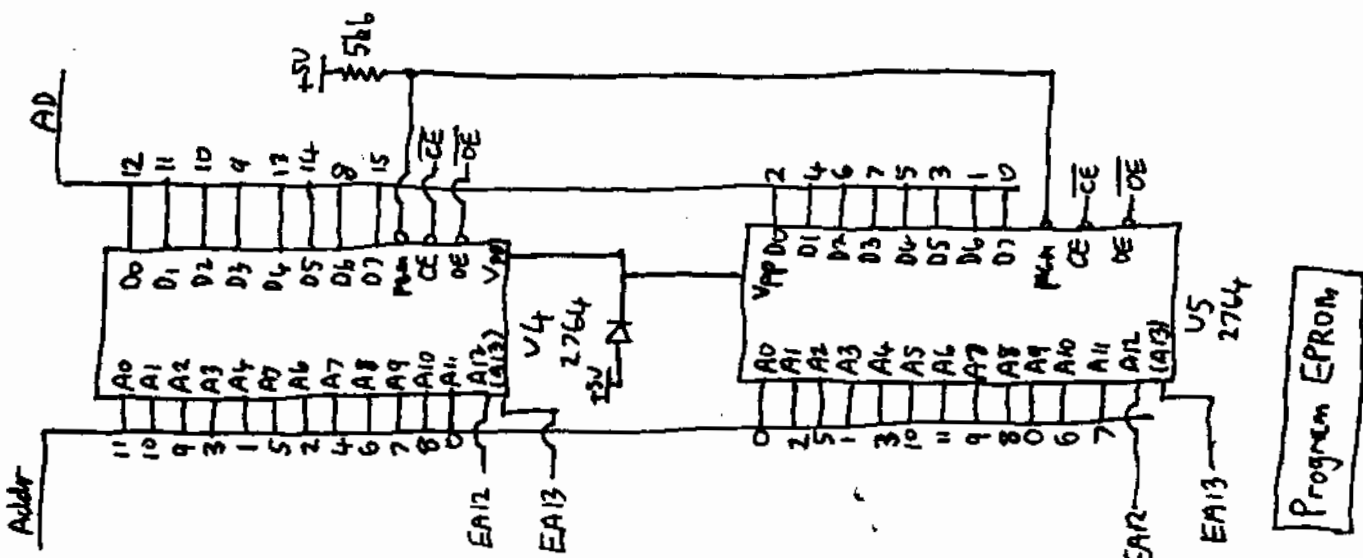


△ ROM slot
(Typical of 3)

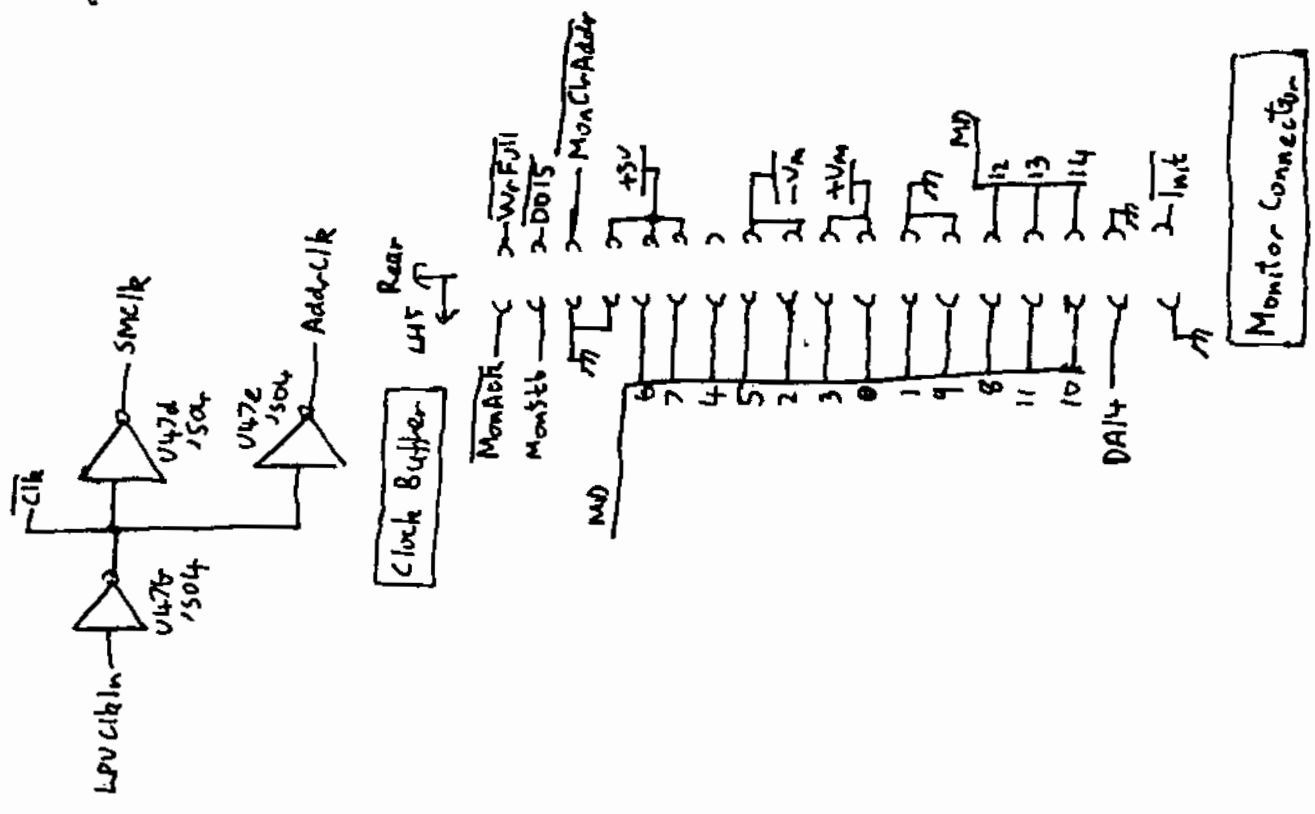
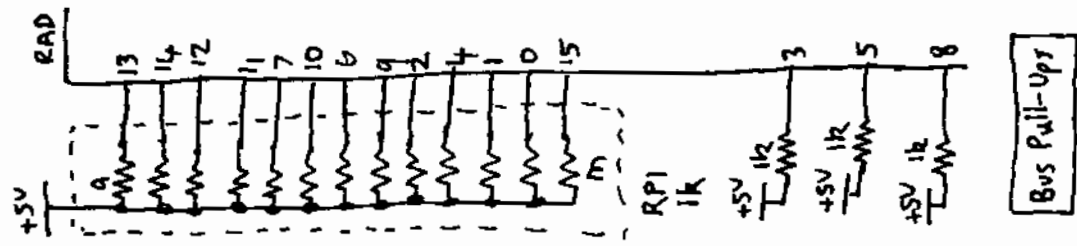
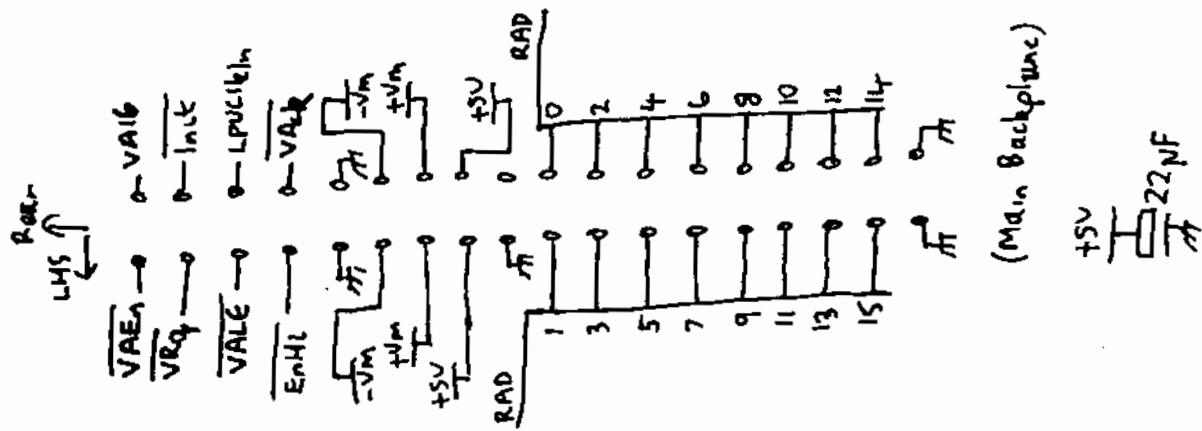


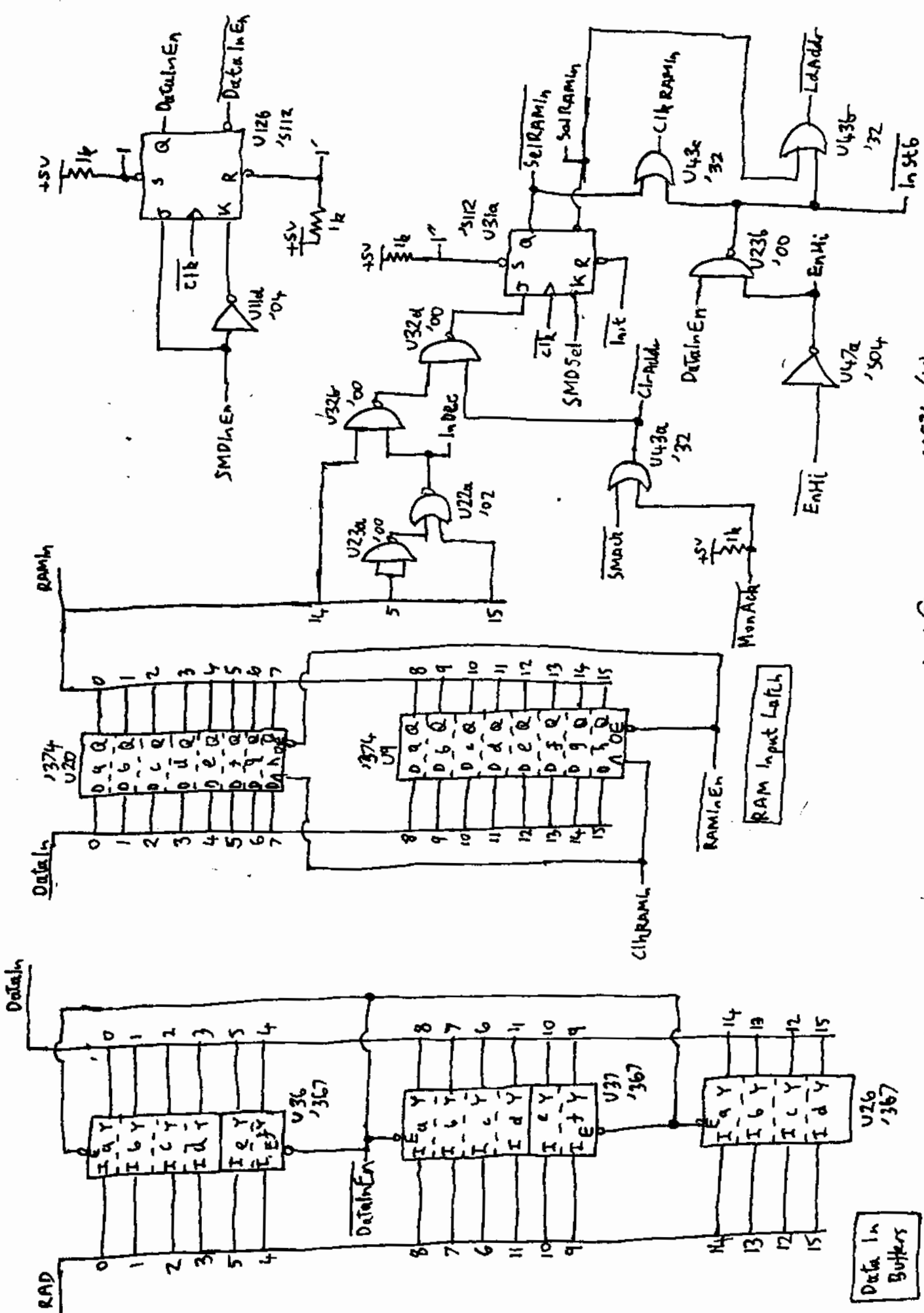
□ ROM Slot
(Typical of 2)

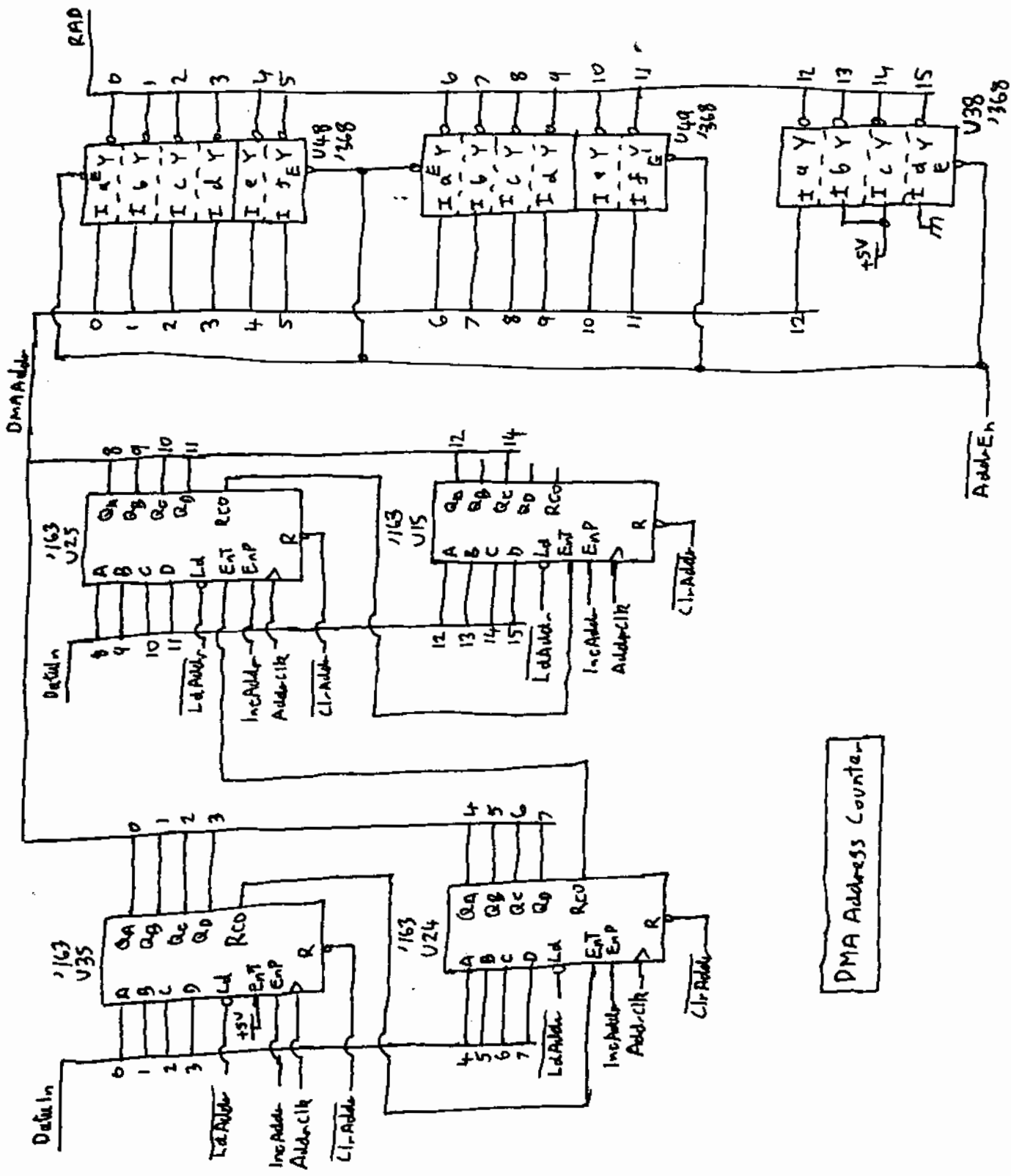
○ ROM slot
(Typical of 3)



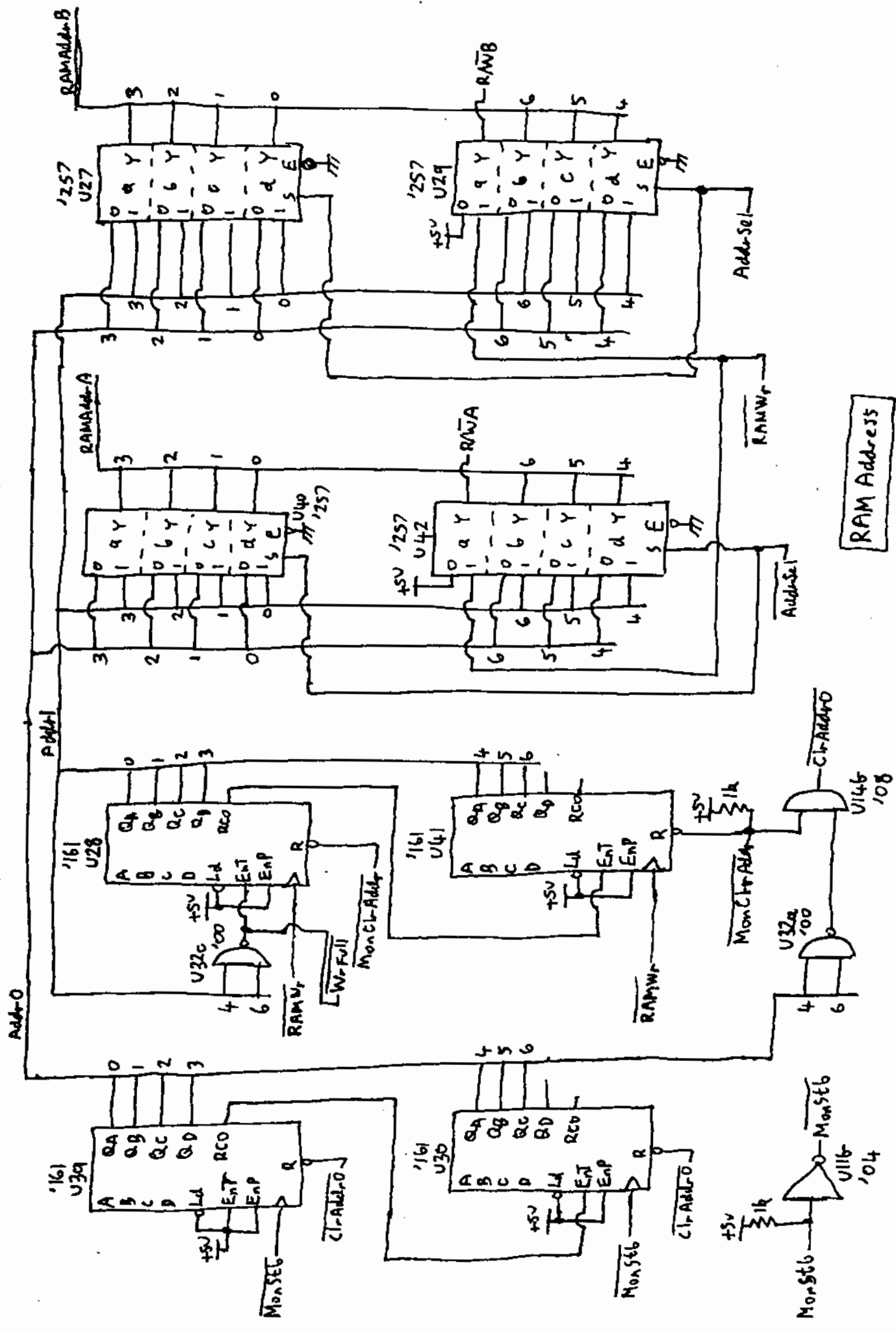
Structured Software Systems Mass Storage Rom (for HP98650)



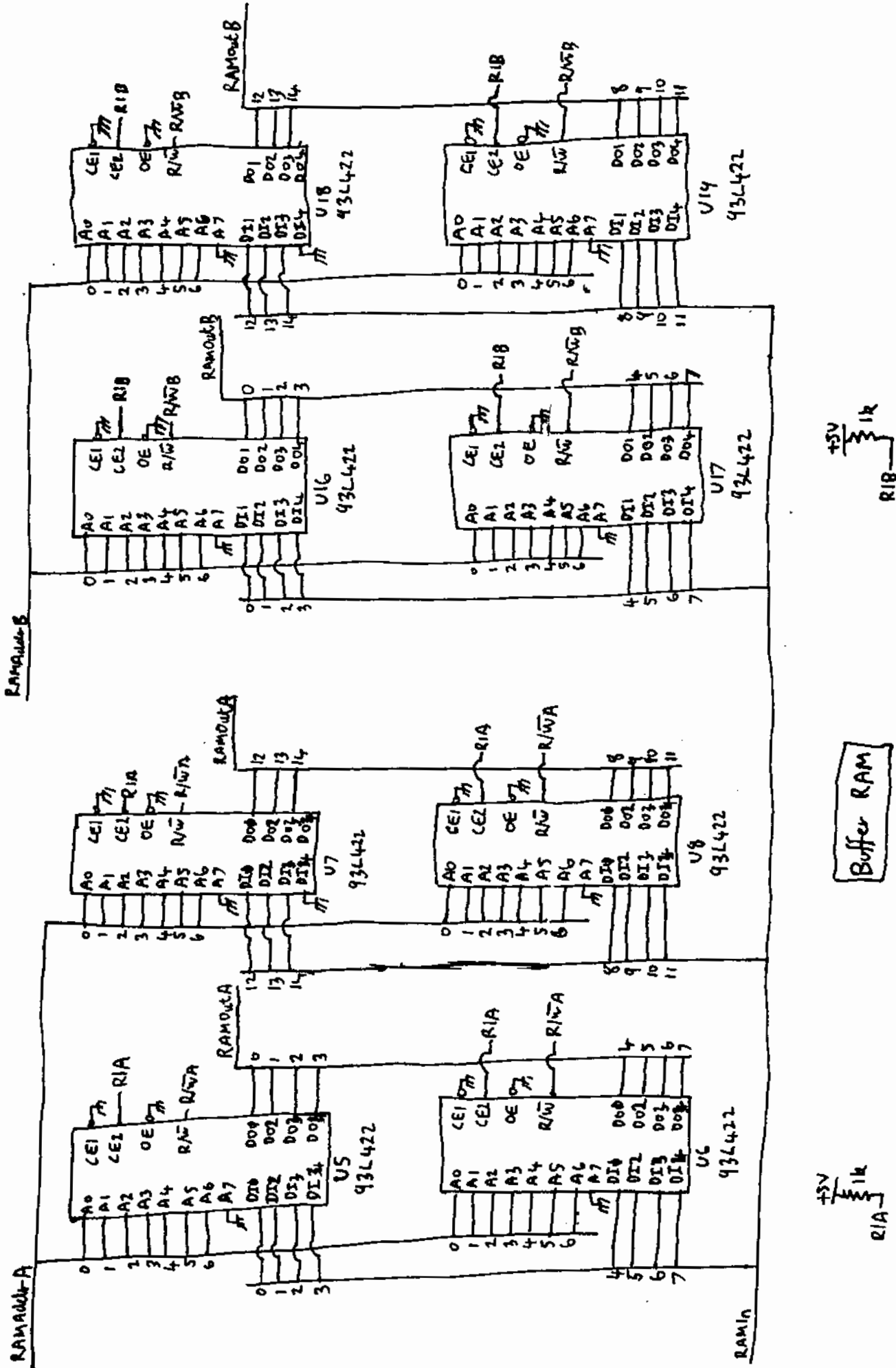




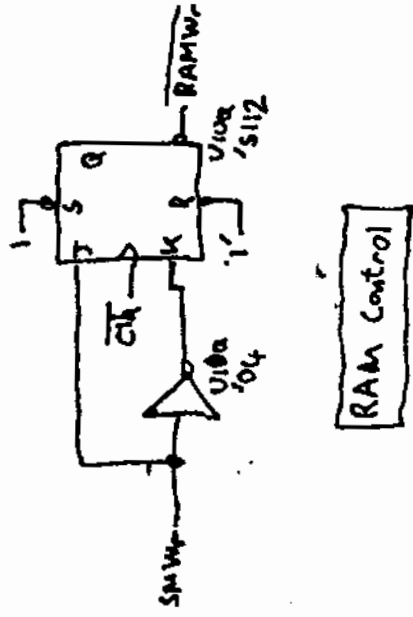
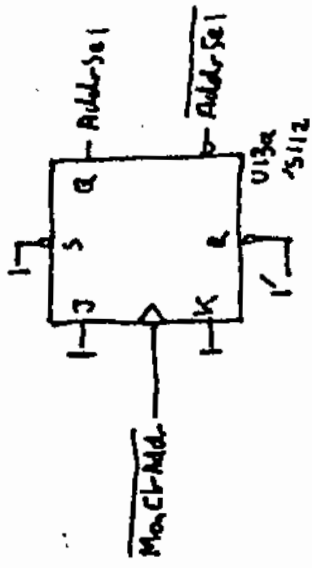
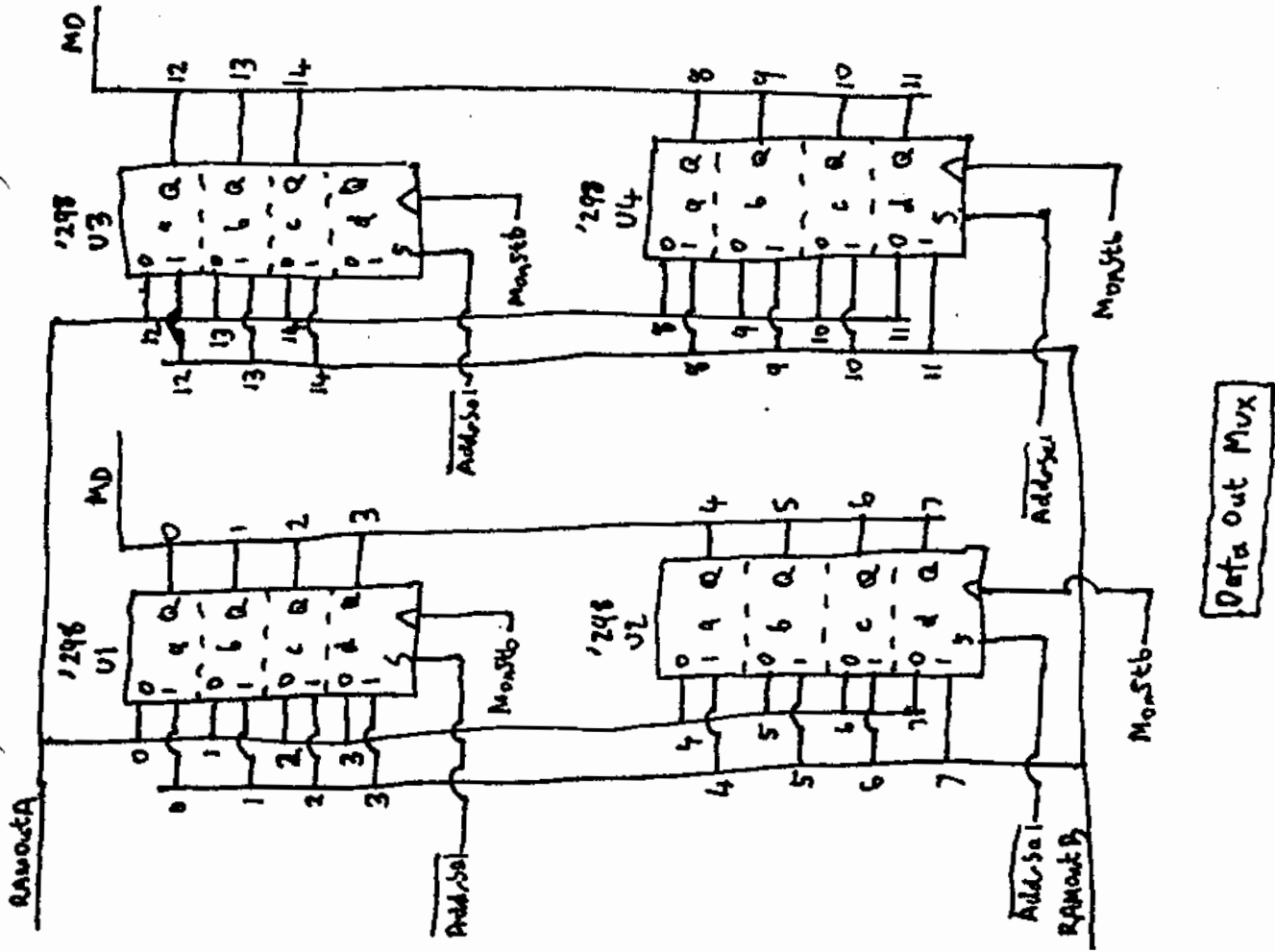
DMA Address Counter

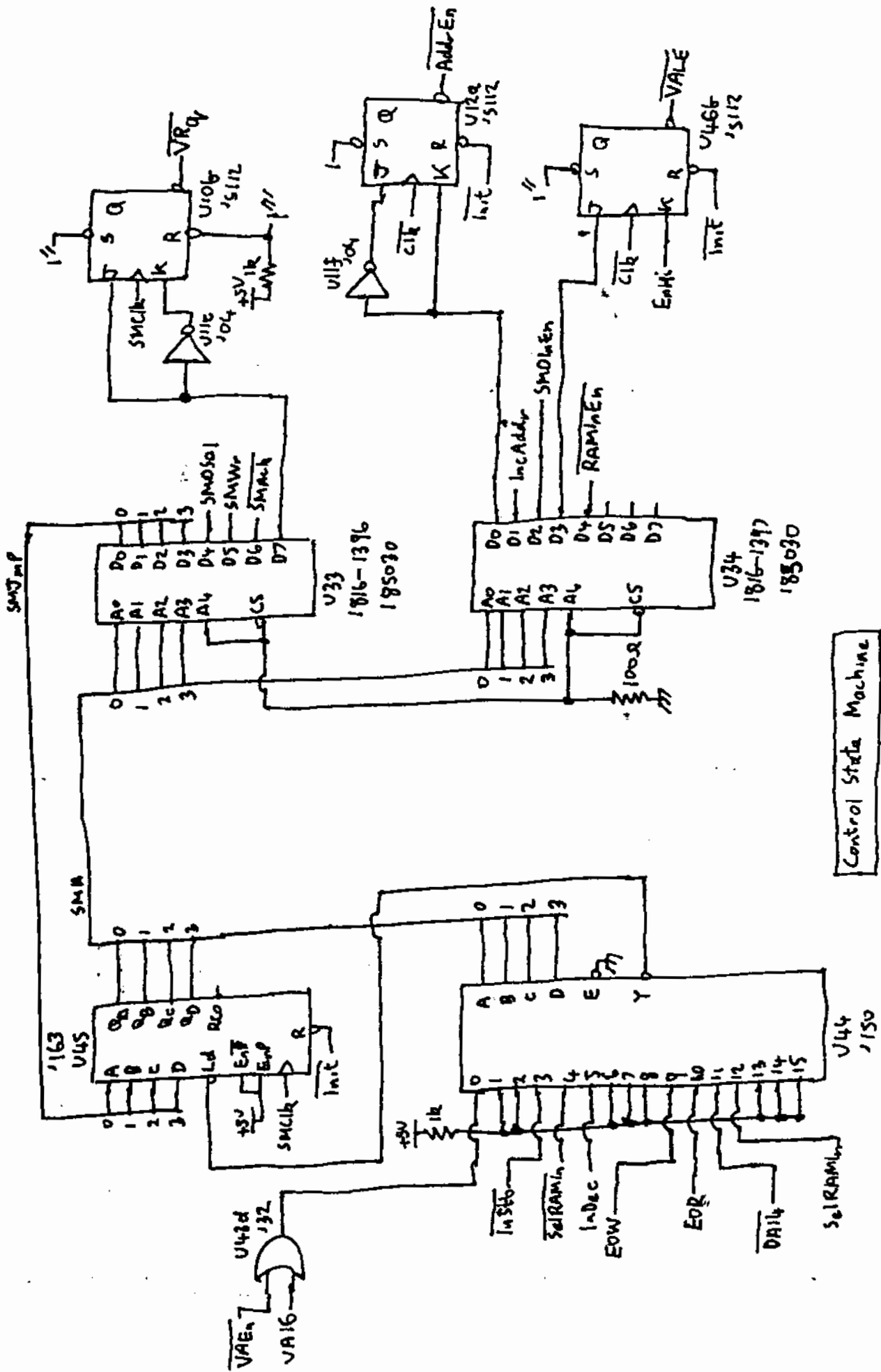


MP9845 Video Interface PCB Sheet (4) 98770-6634 (Y)

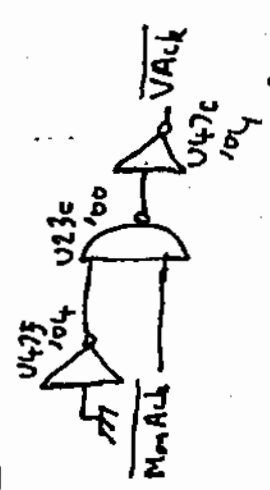
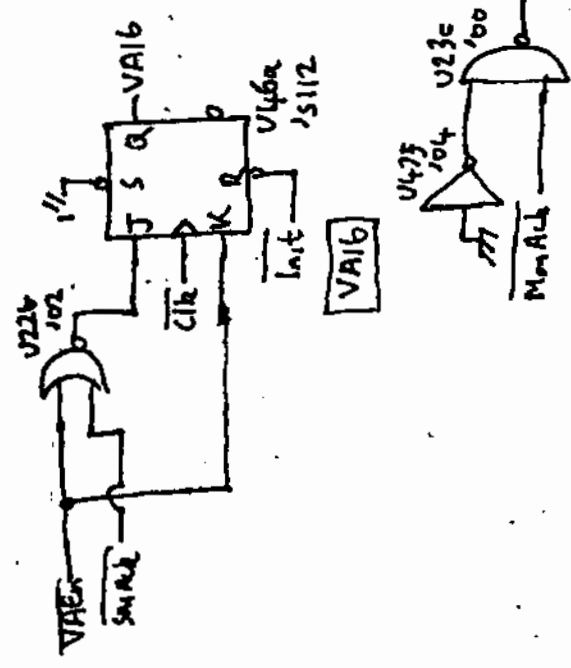
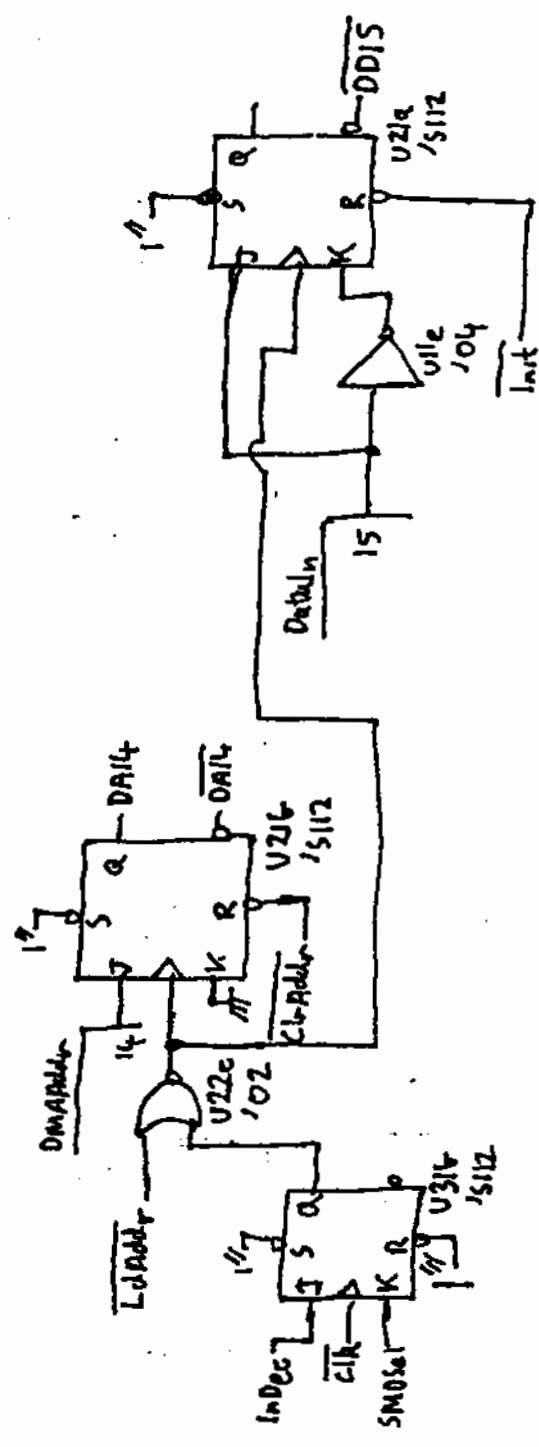
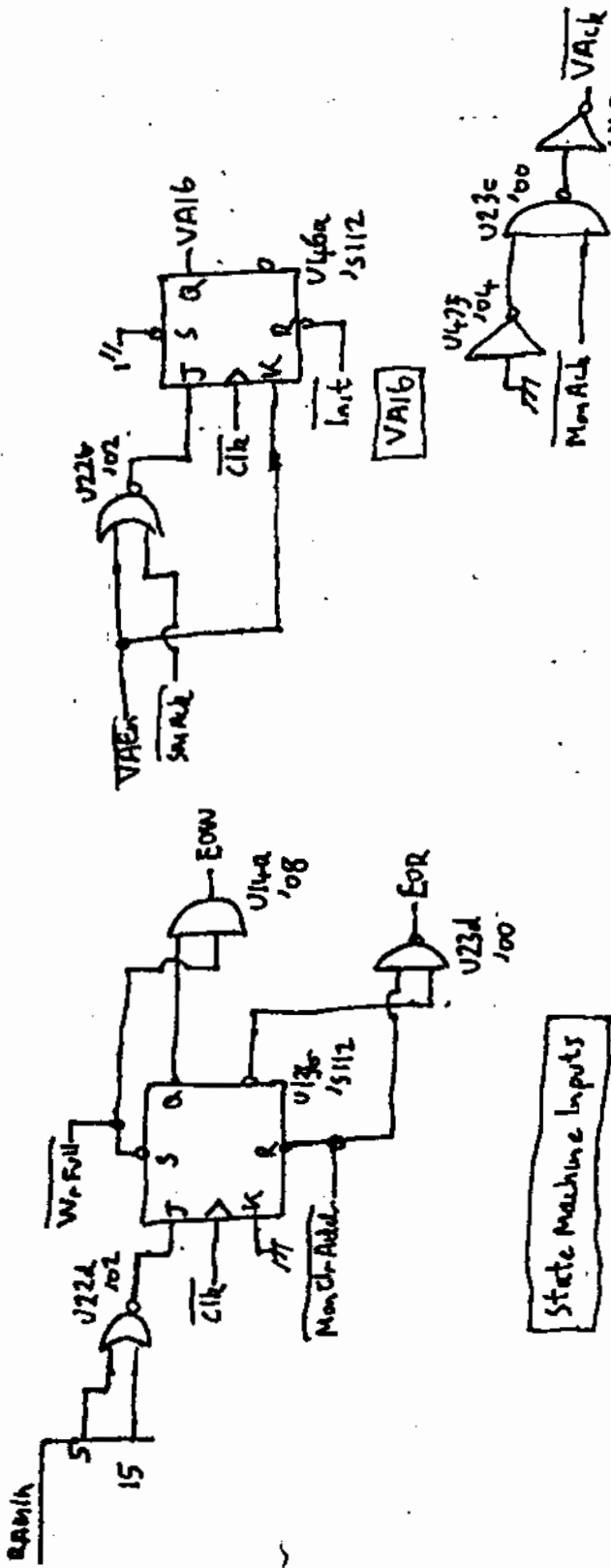


Buffer RAM

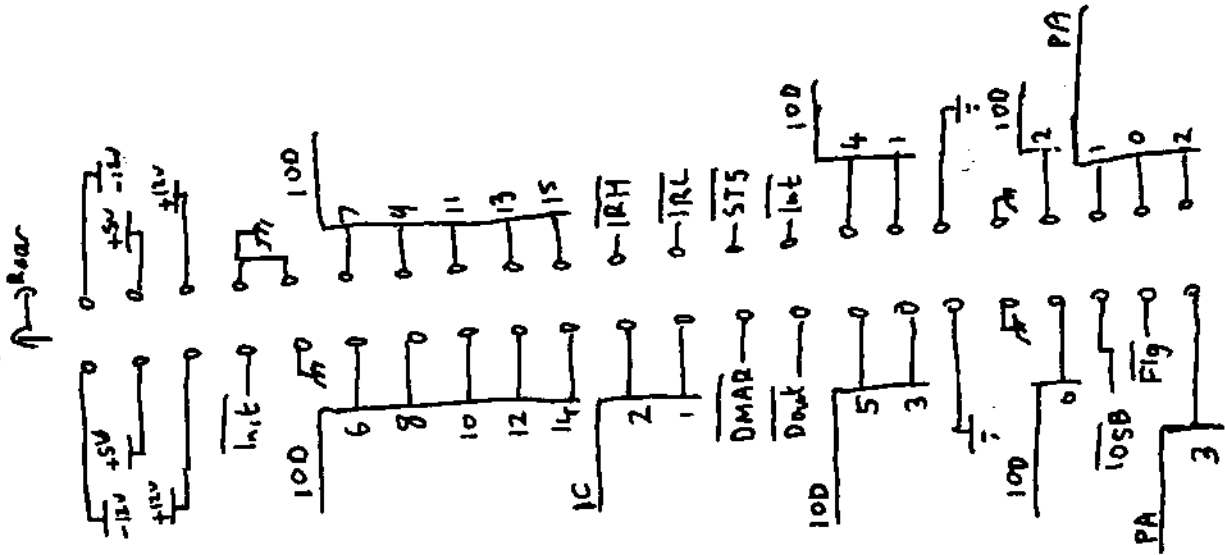




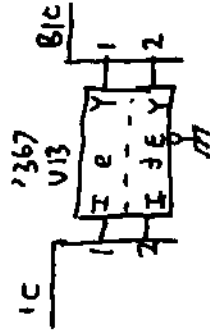
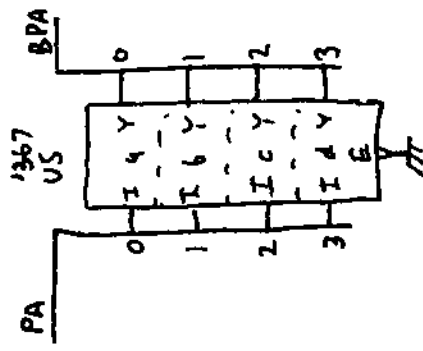
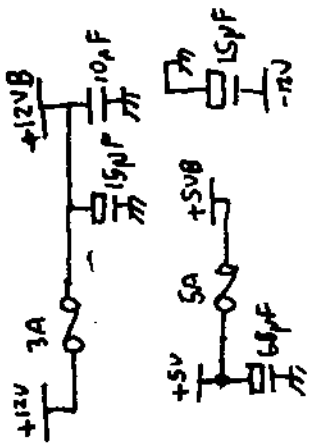
Control State Machine



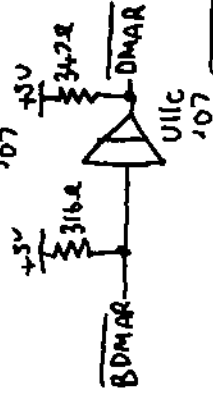
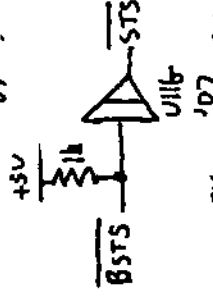
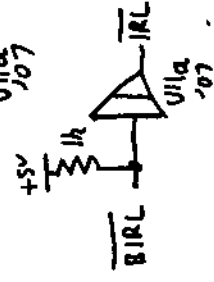
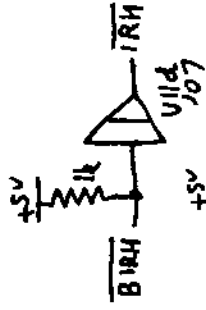
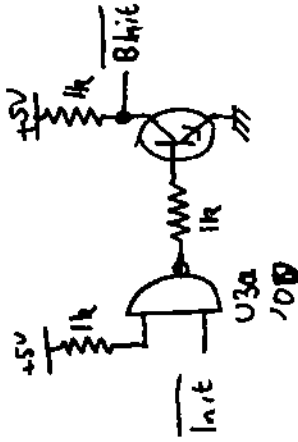
LMS



(Main Backplane)

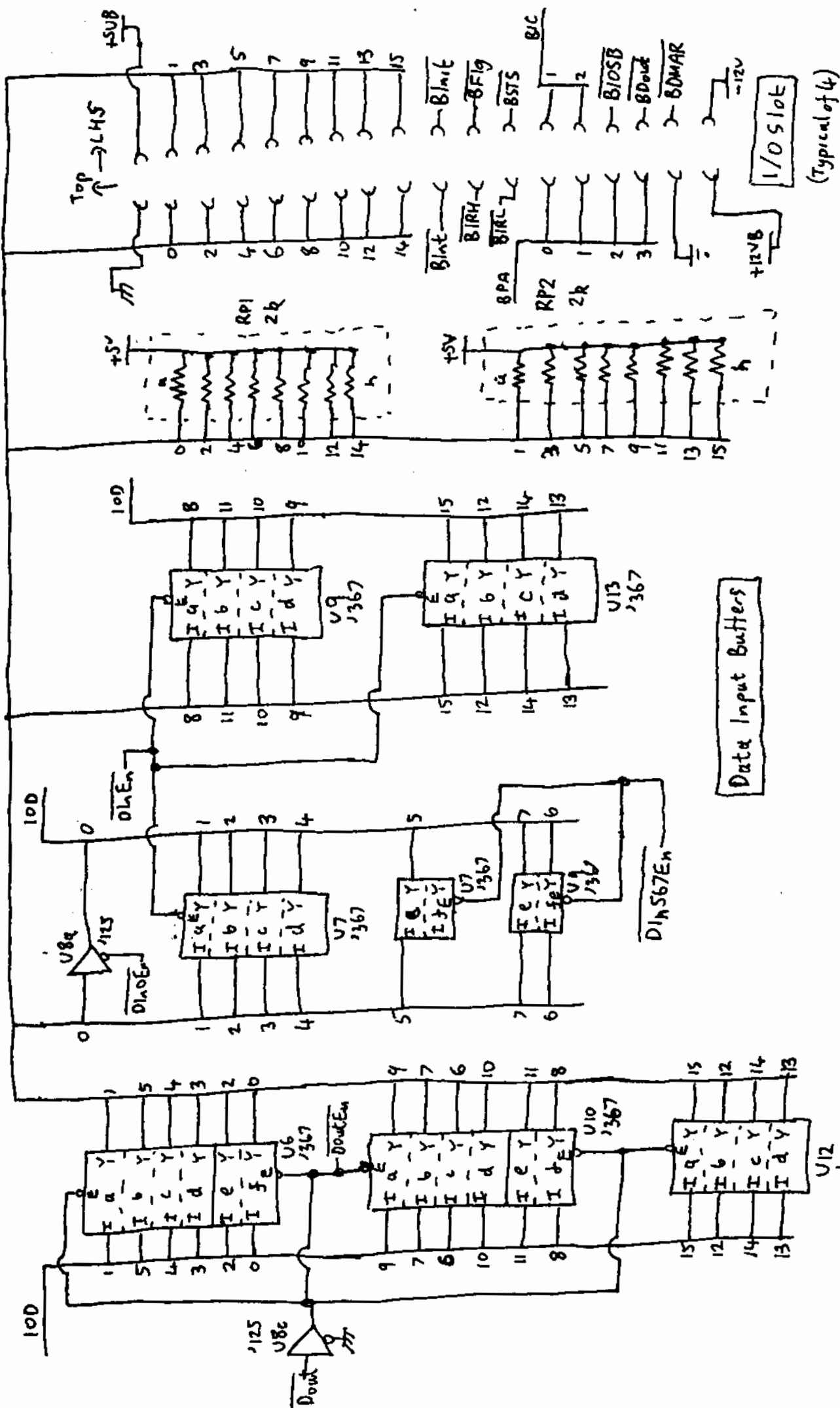


Control Output Buffers



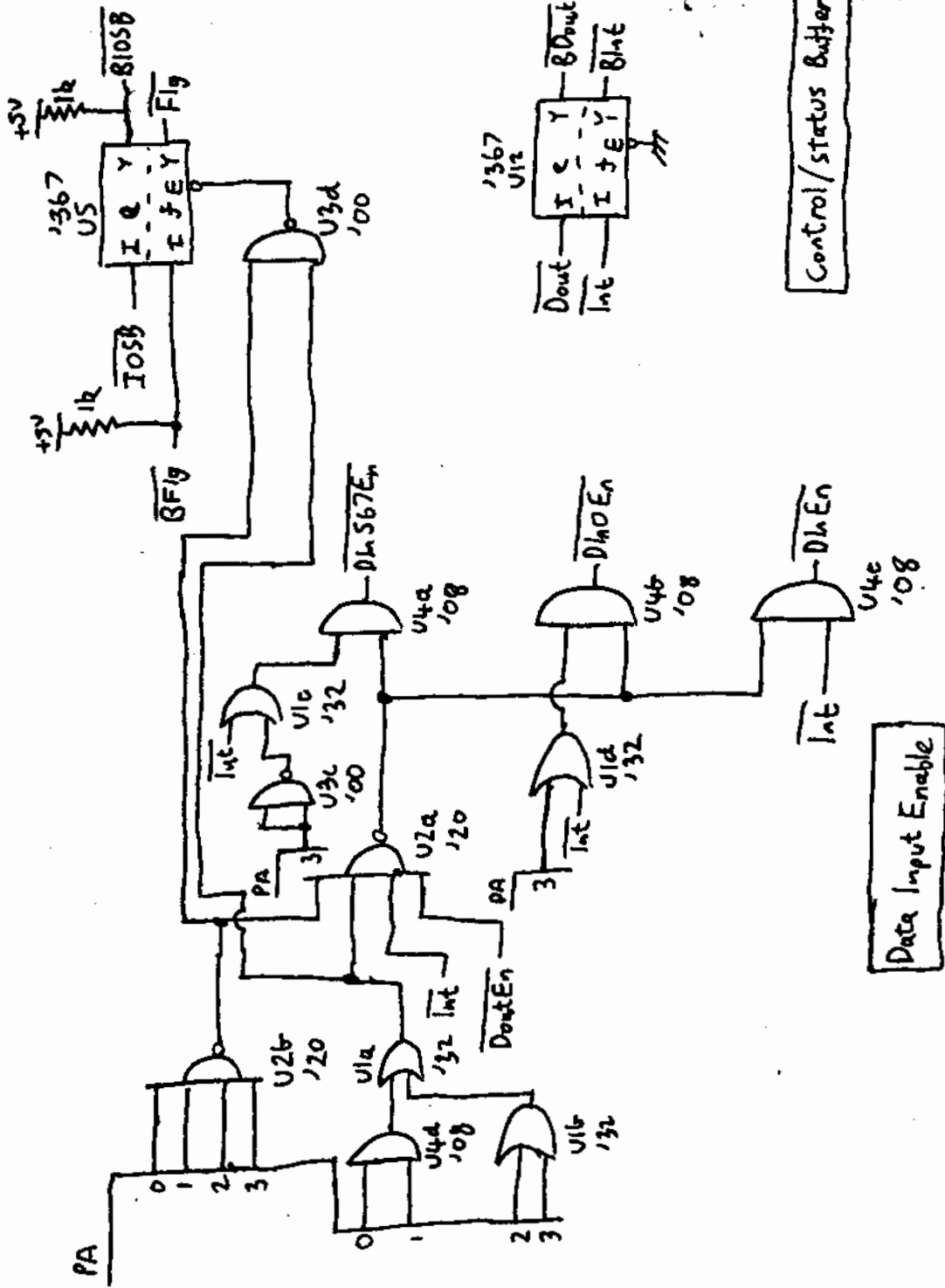
Status Buffers

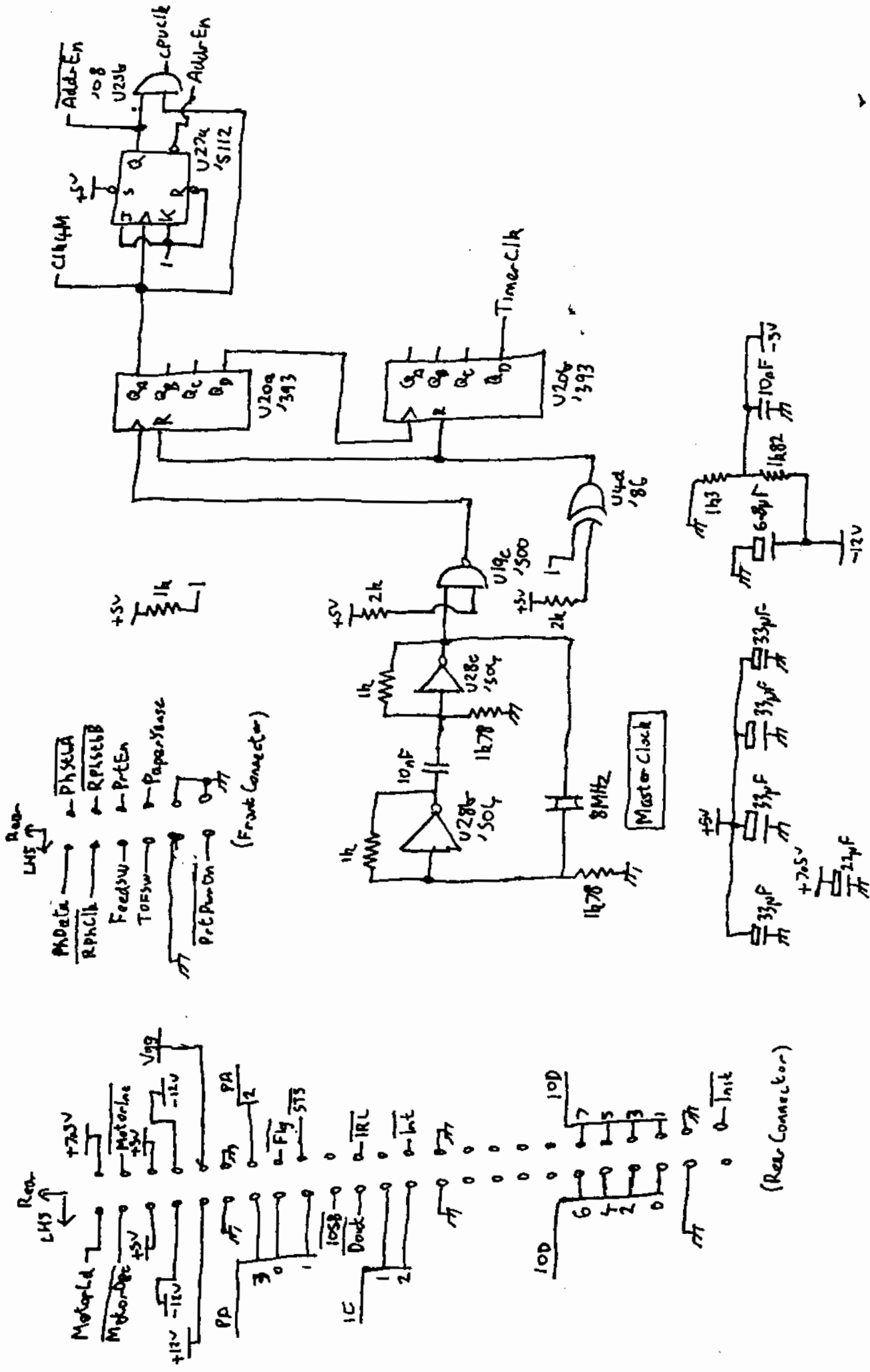
810D



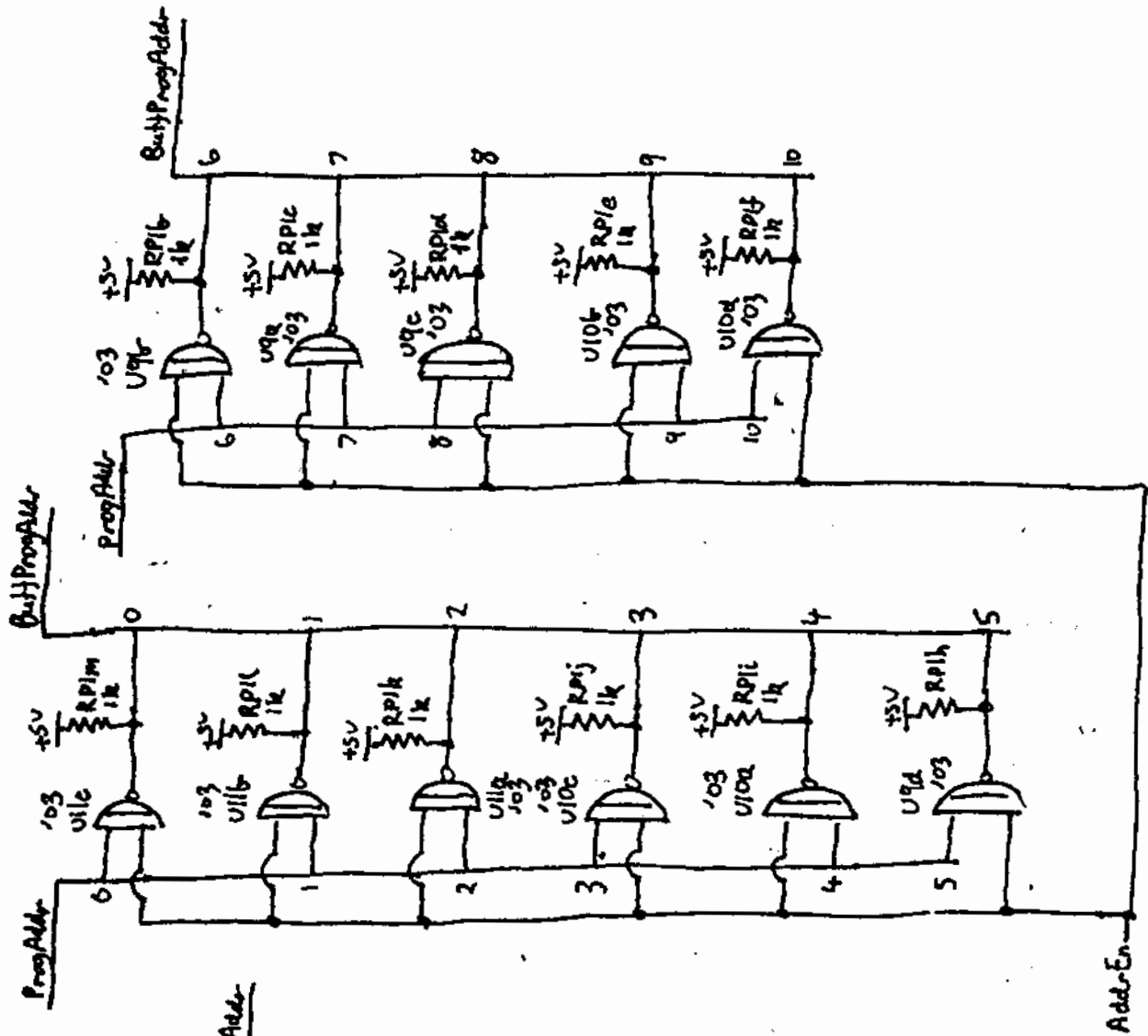
09845-6650Z (8h/R)

HP9845 I/O Backplane Sheet 2

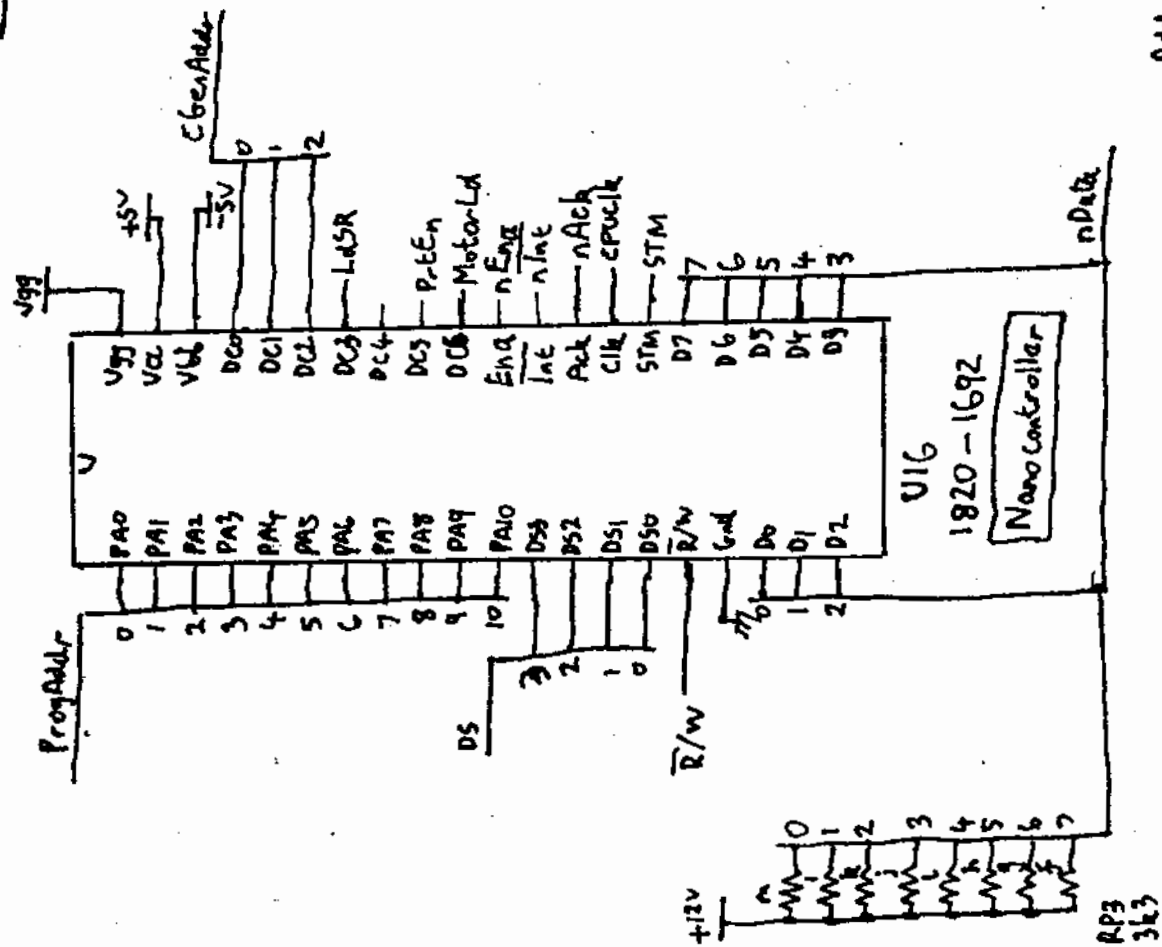


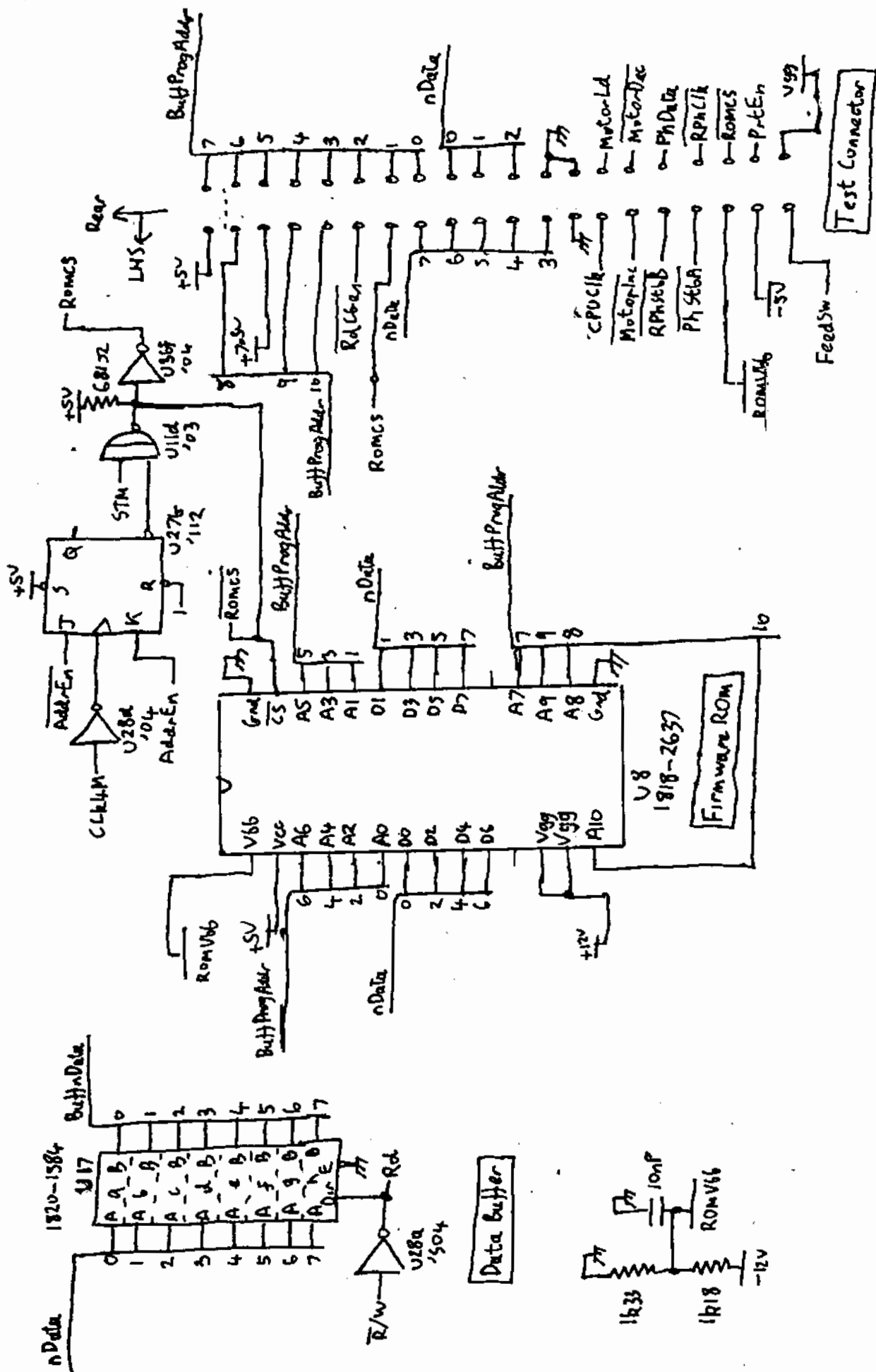


HP 9845 Printer Interface PCB Sheet ① 09845-66551 (6m/Br)

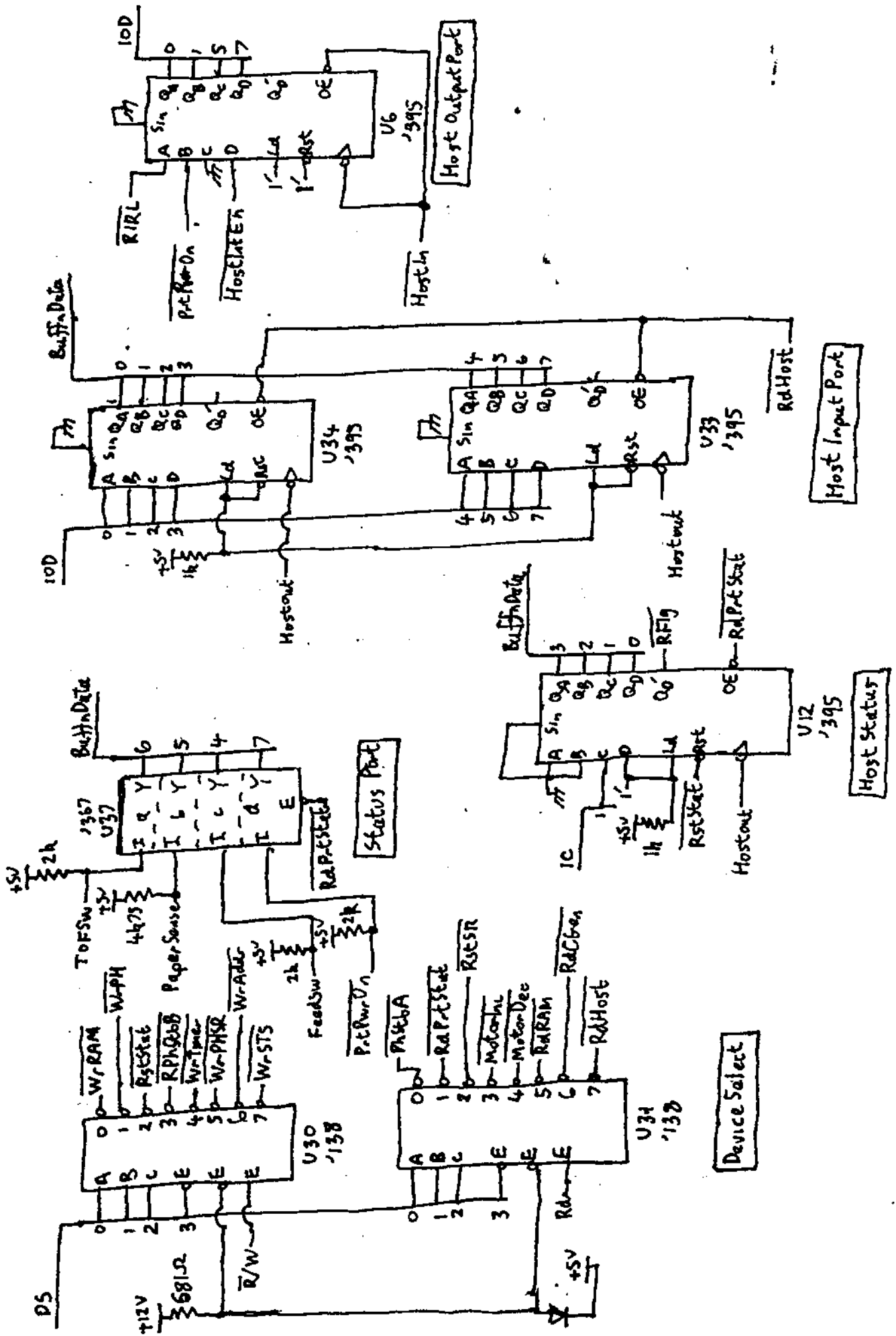


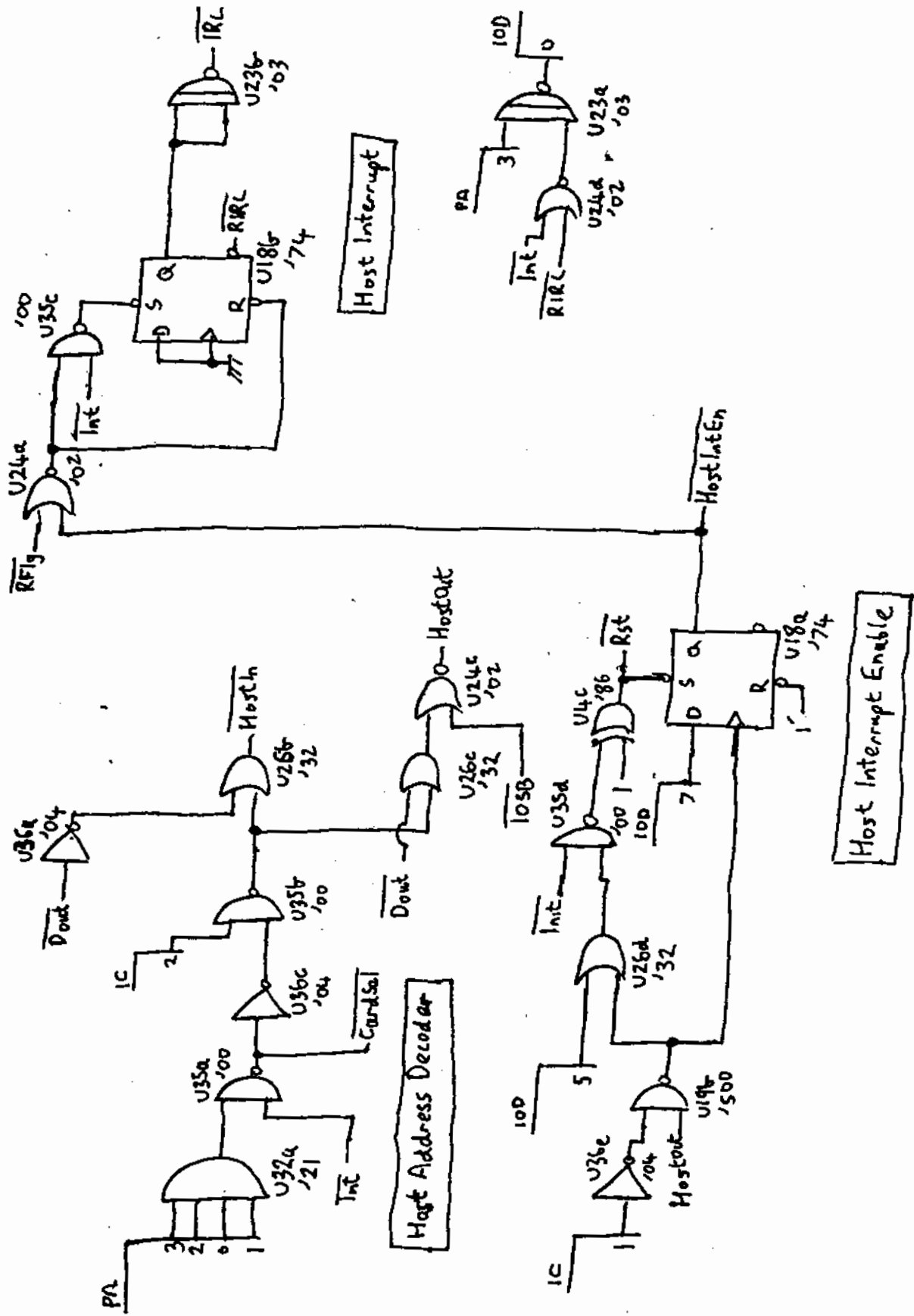
Address Buffers

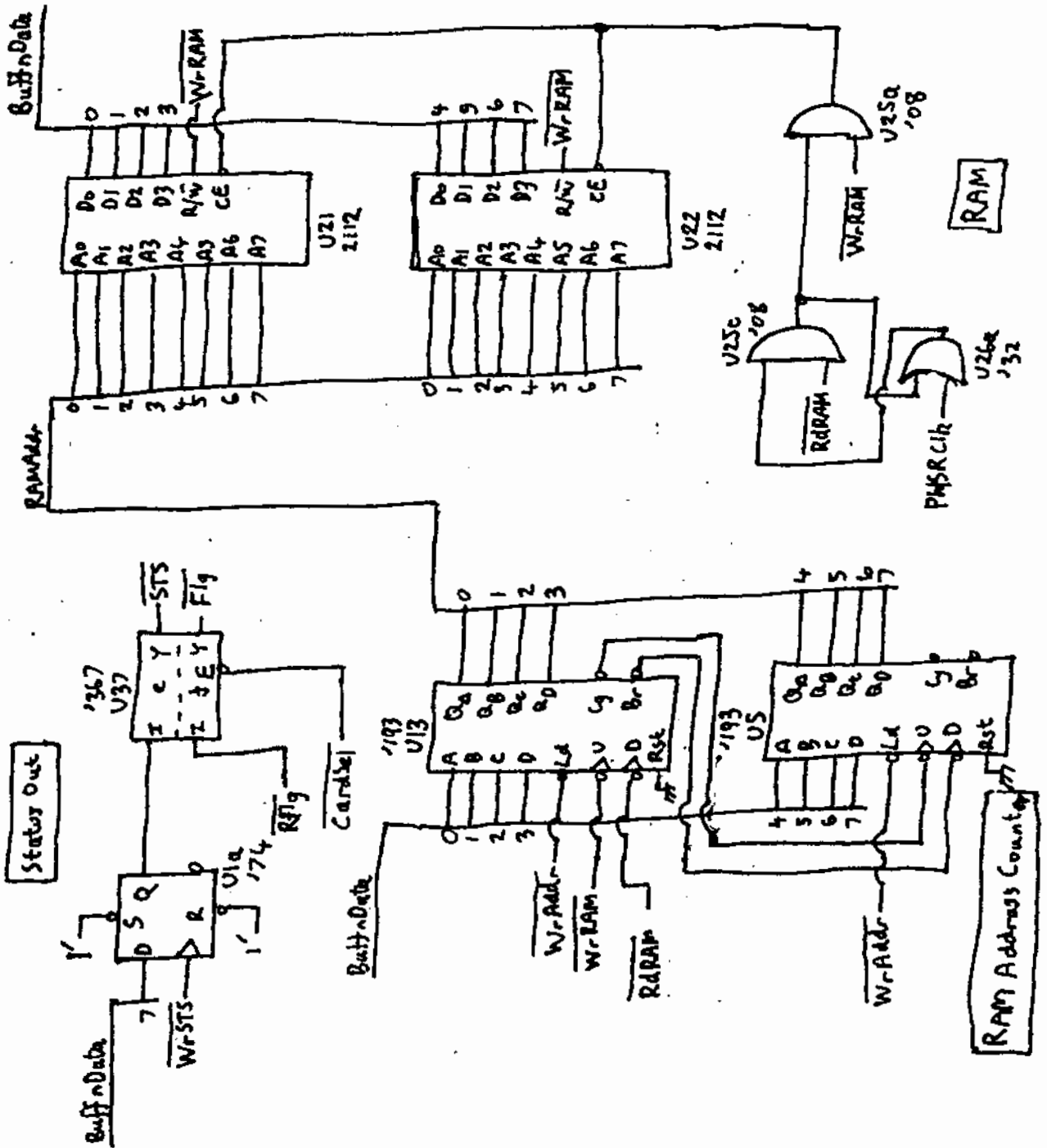


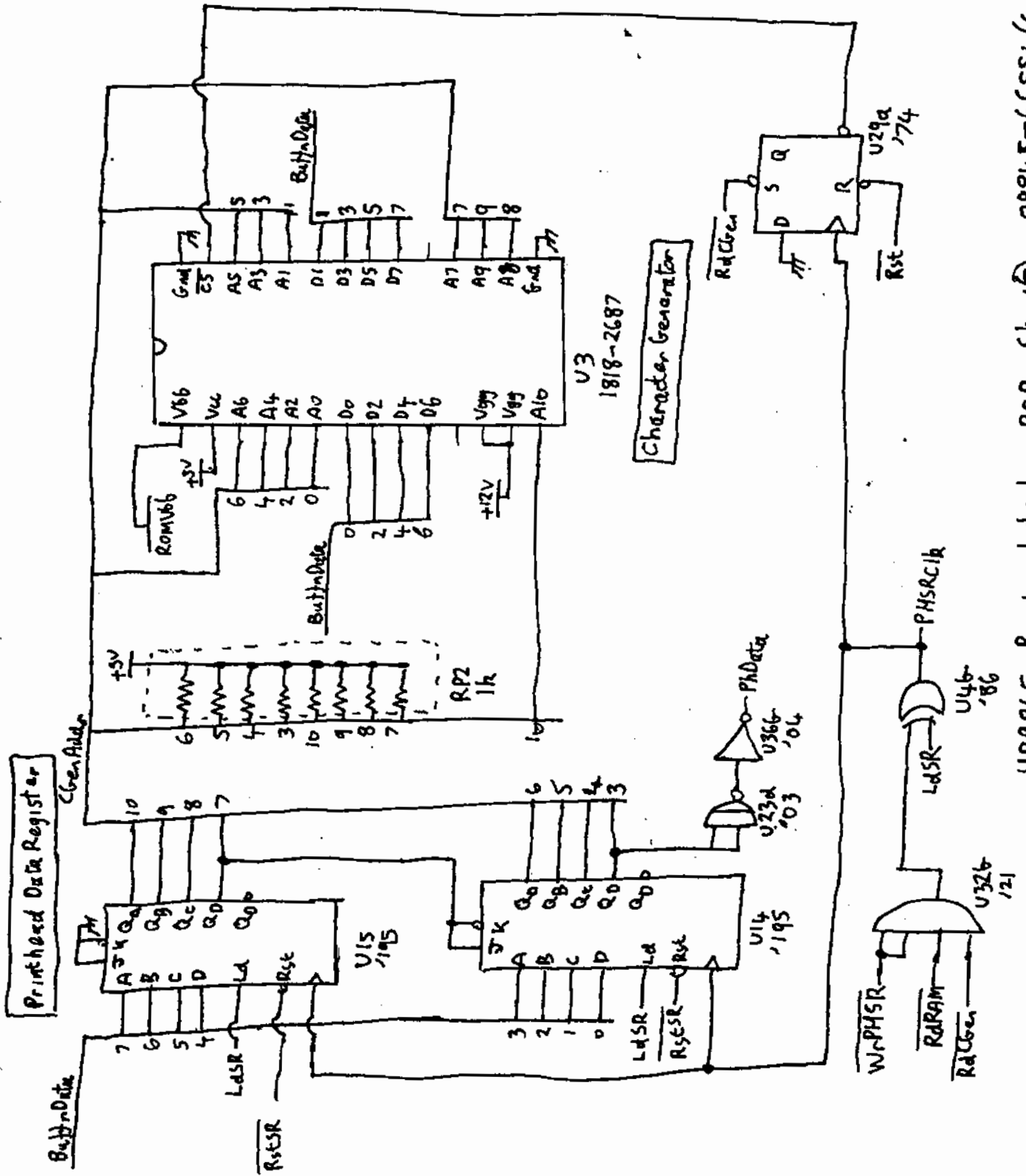


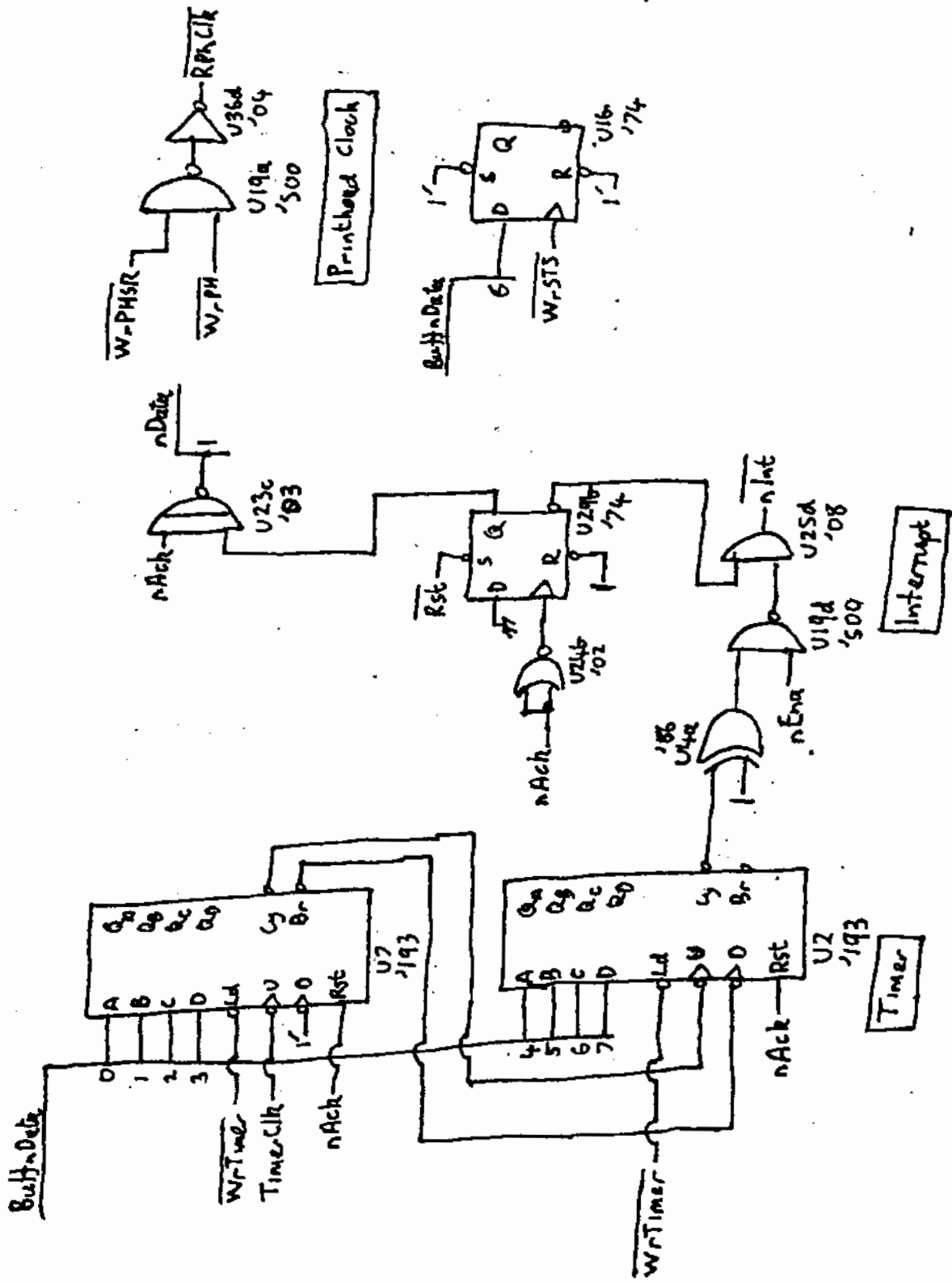
HP 9845 Printer Interface PCB sheet (3) 09845-6655 (6n/B)

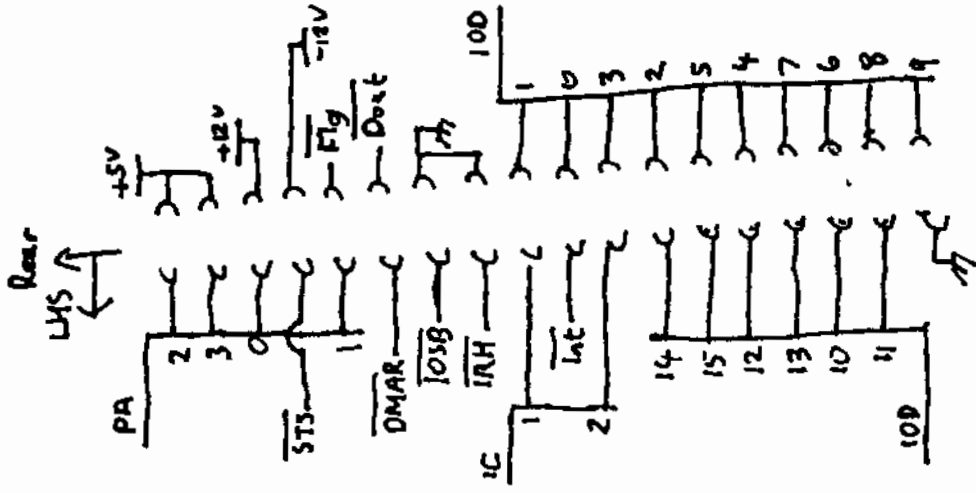
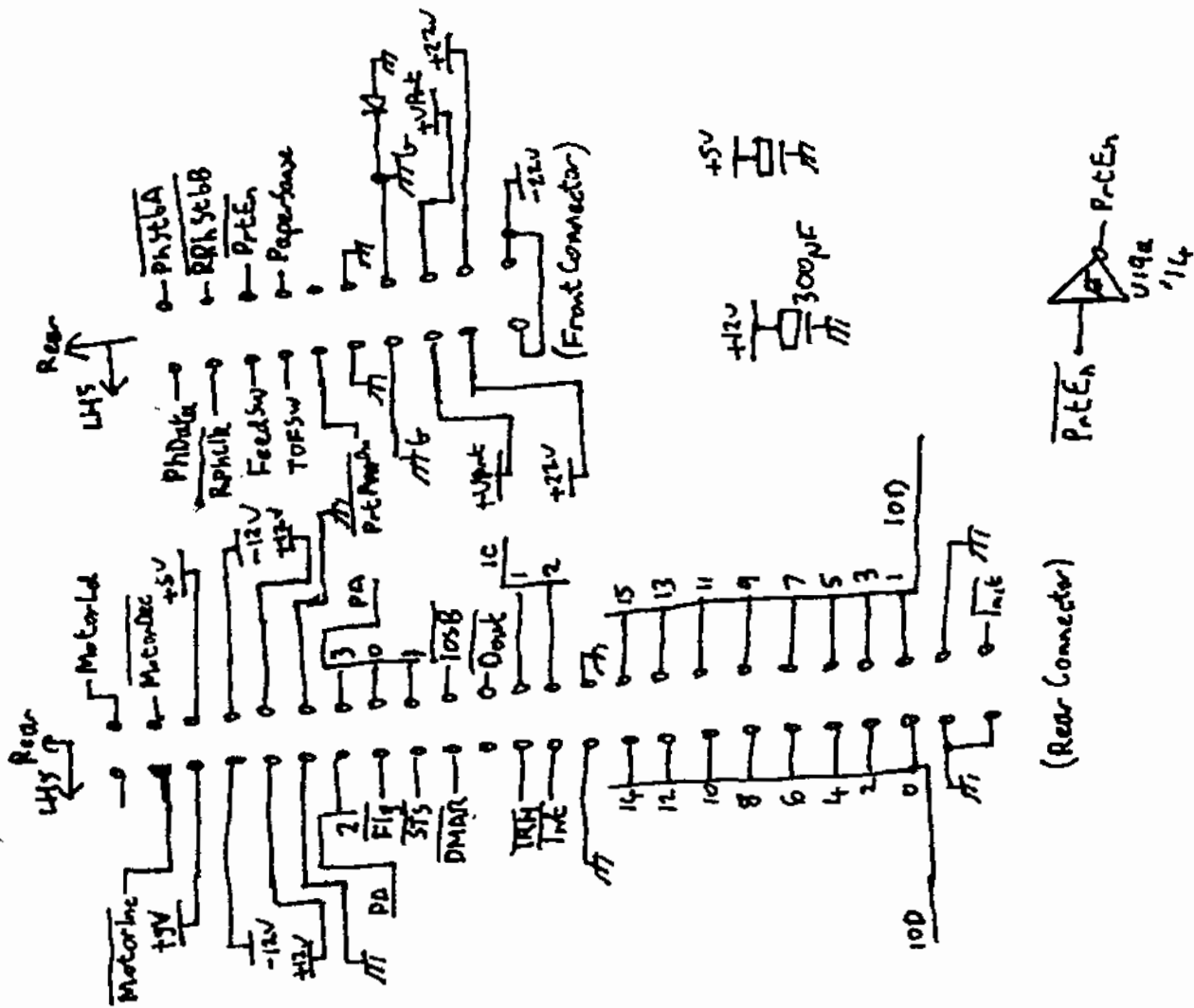






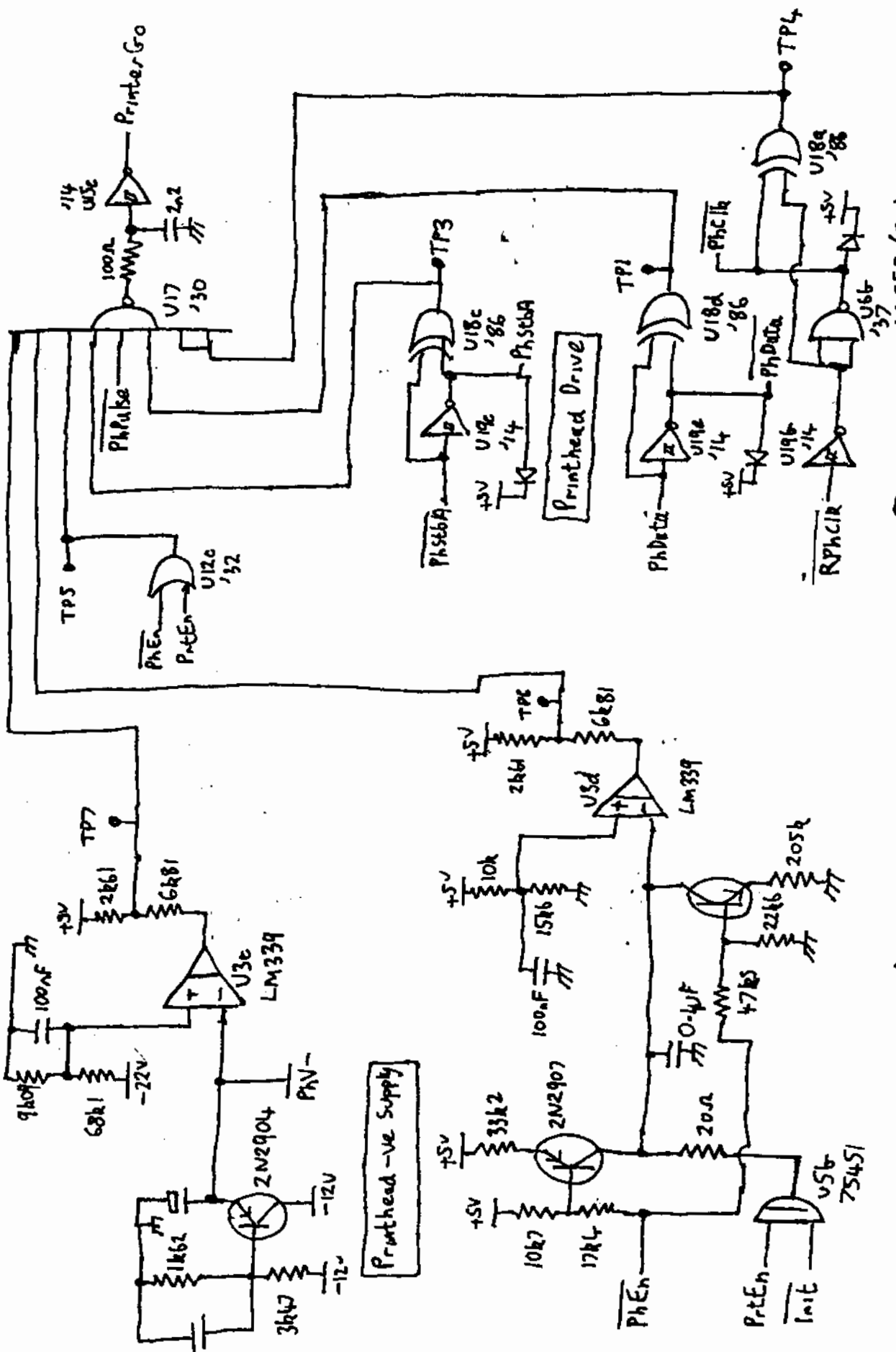




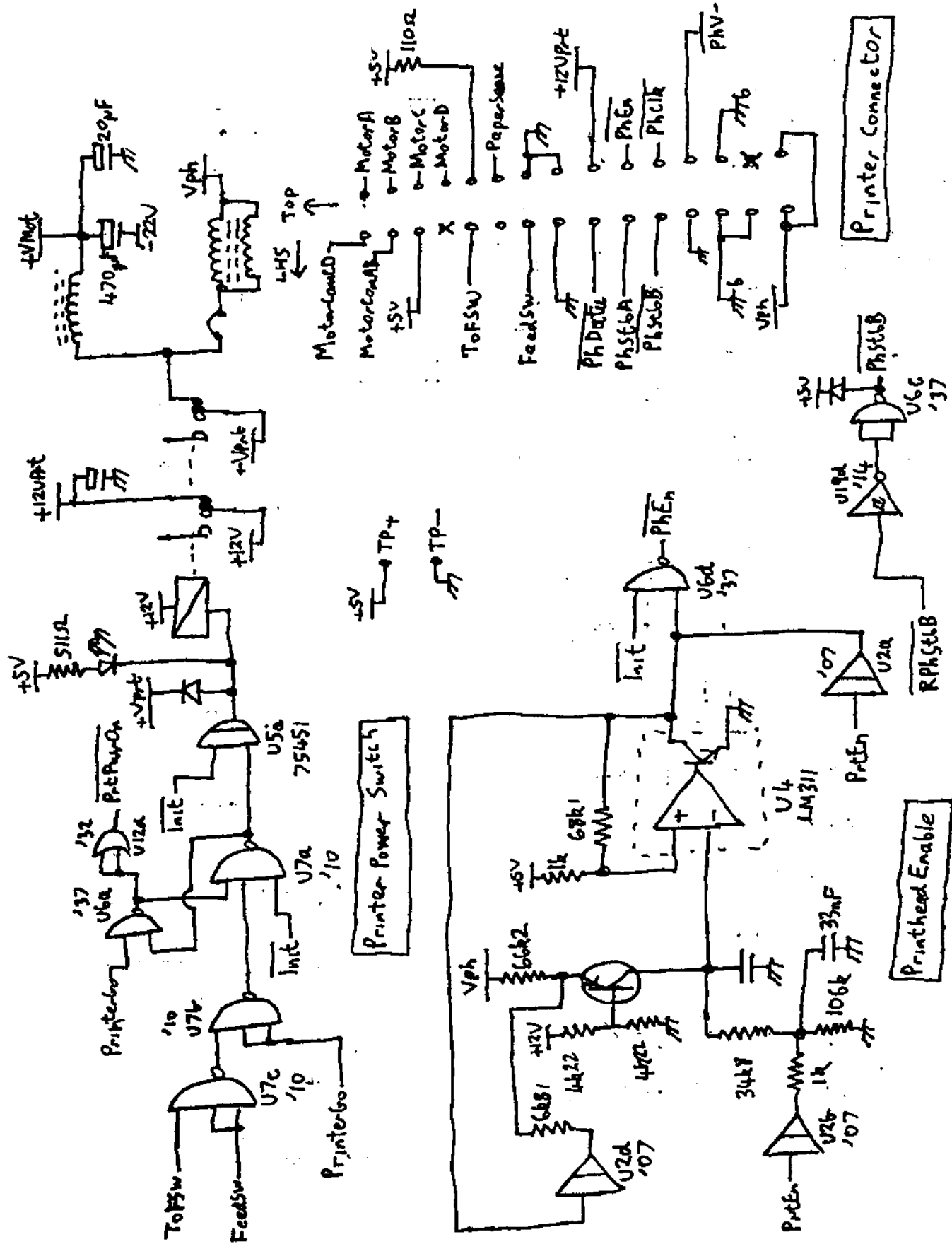


09845 - 69555 (6m)

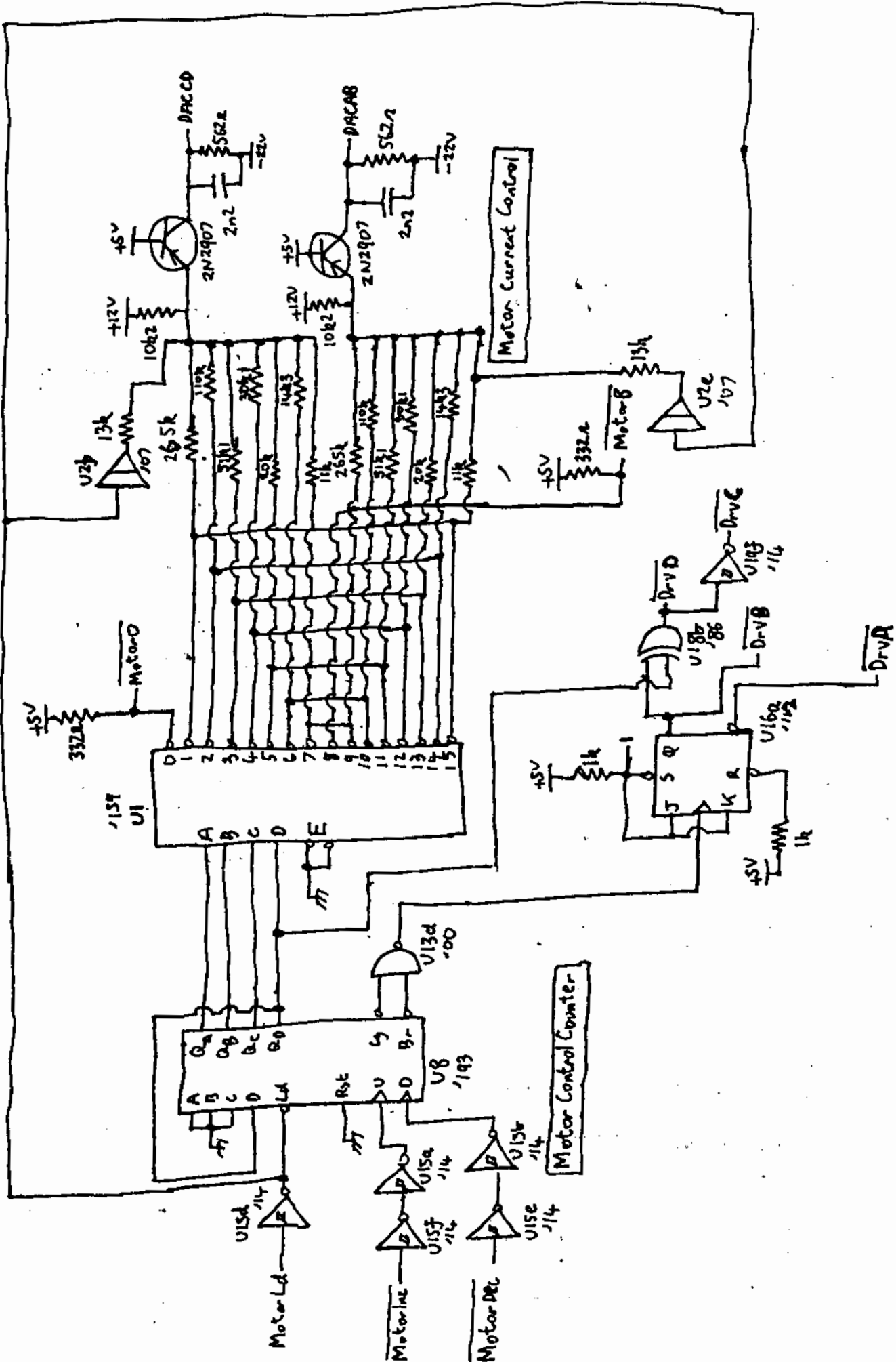
HP 9845 Printer Driver PCB Sheet 1



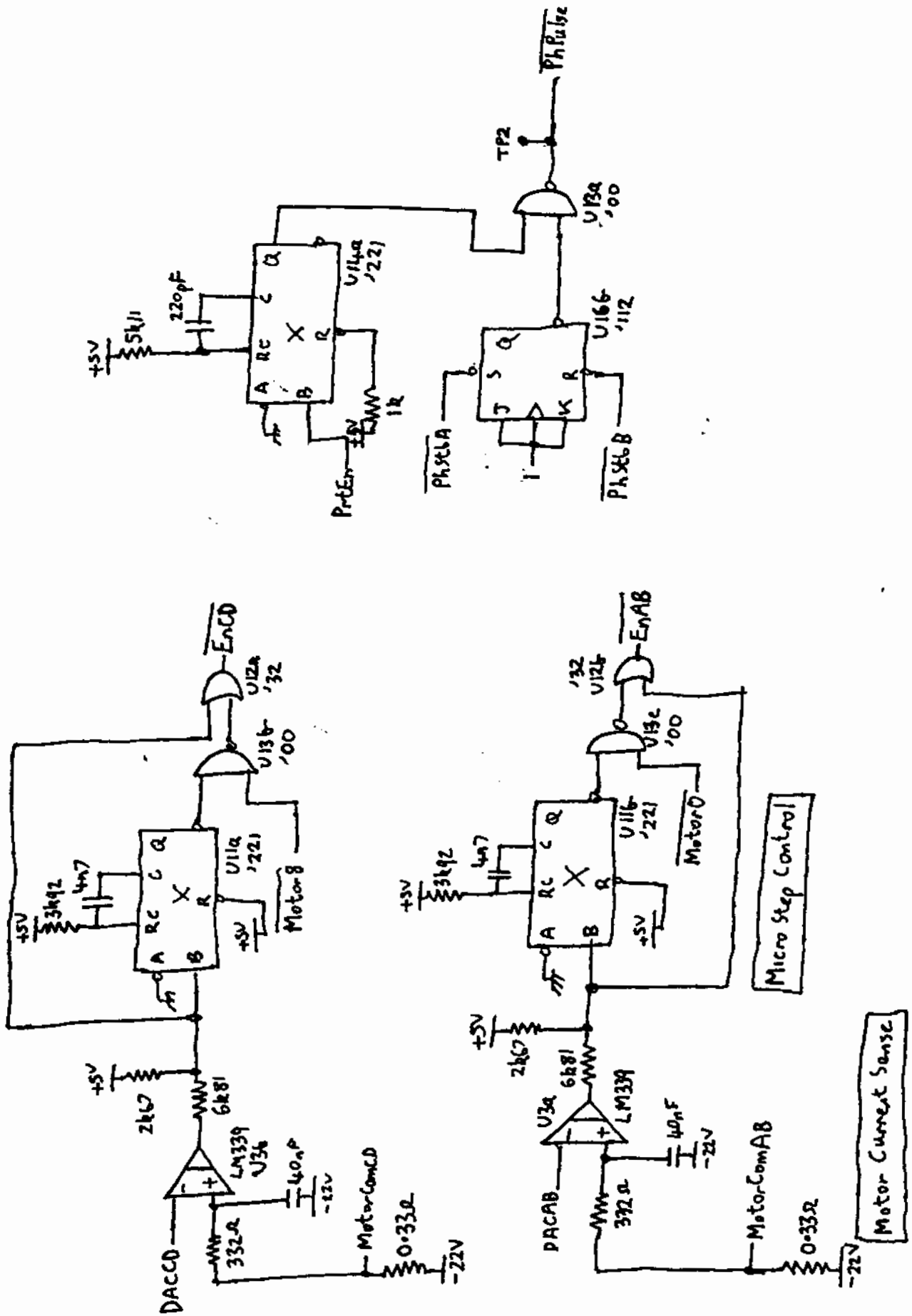
HP9845 Printer Driver PCB Sheet ② 09845-69555 (Gr)

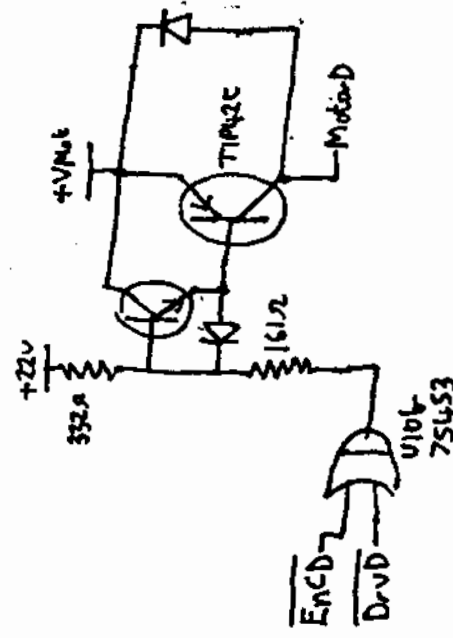
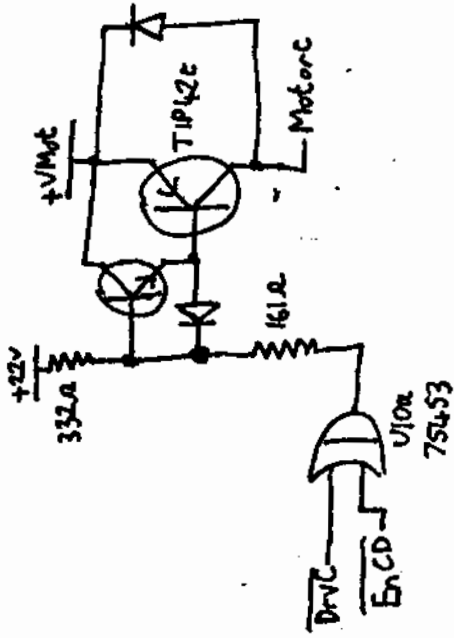


HP9845 Printer Driver PCB Sheet ③ 09845-69555 (6n)

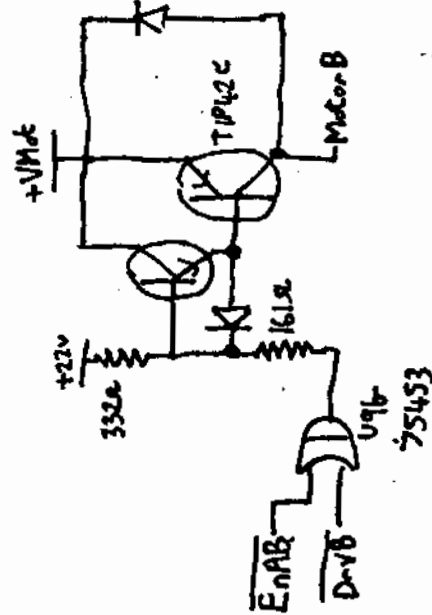
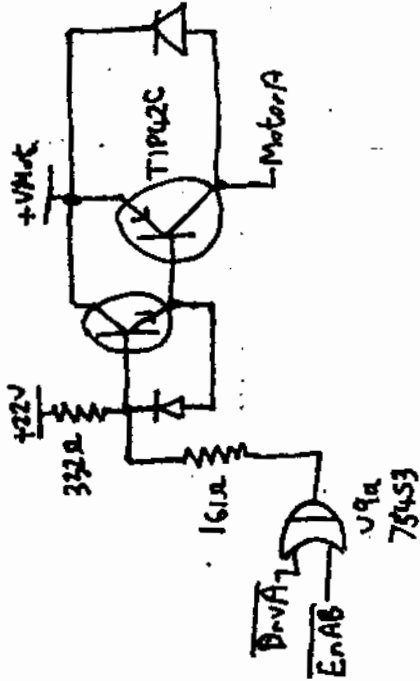


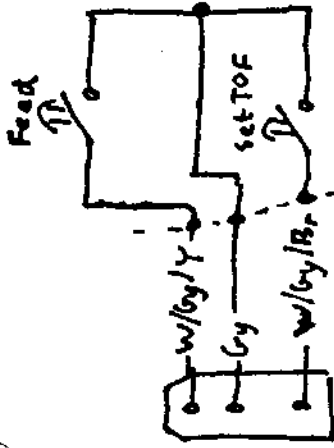
HP9845 Printer Driver PCB Sheet (4) 09845-69555 (6m)





Motor Drivers

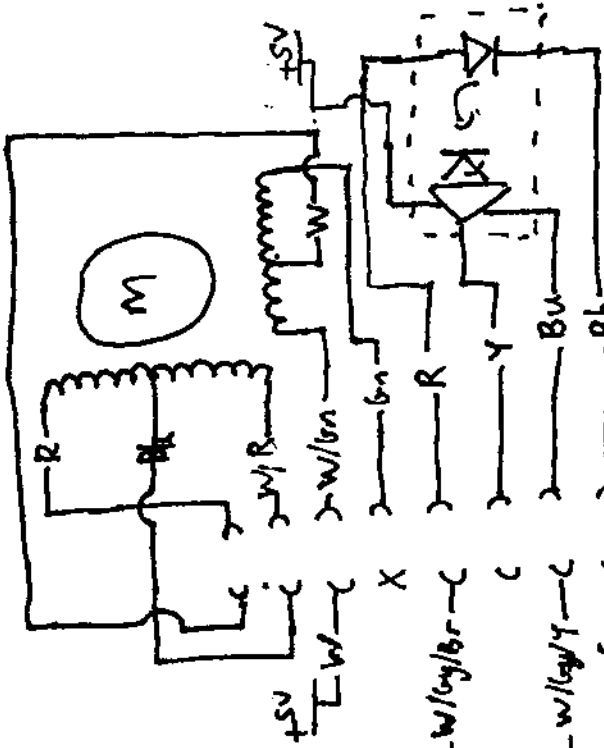




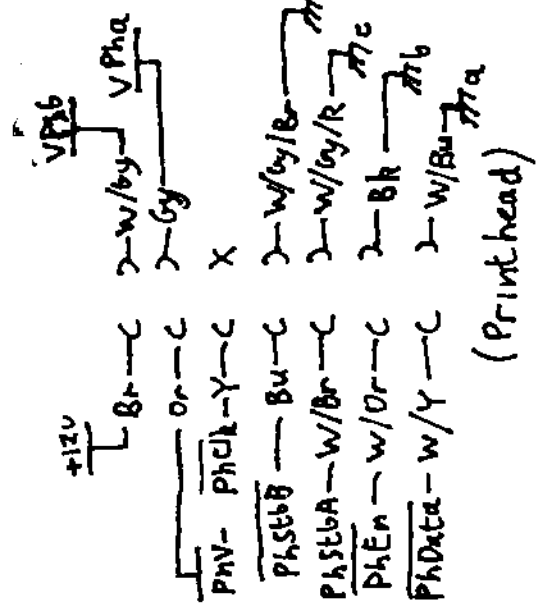
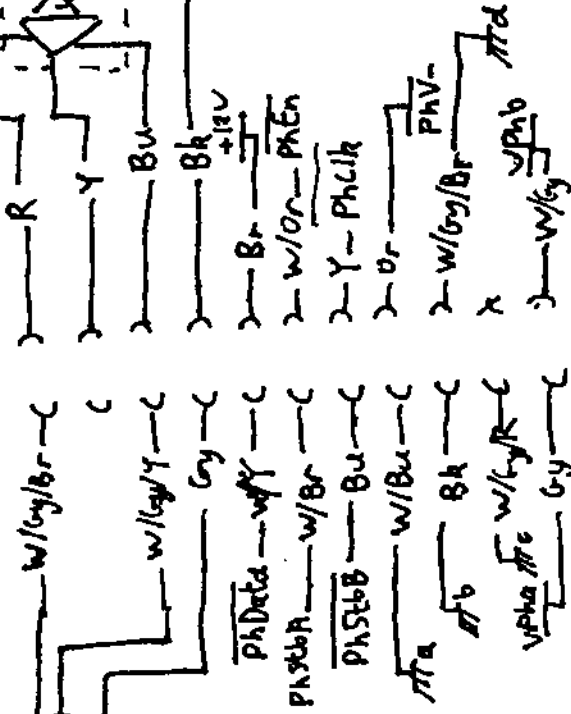
09845-66554 PCB

Printer Switch Assembly (On Keyboard)

Paper Sensor



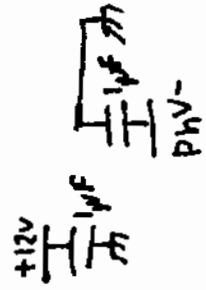
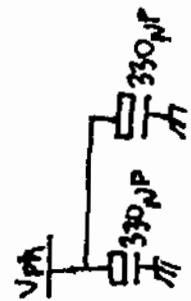
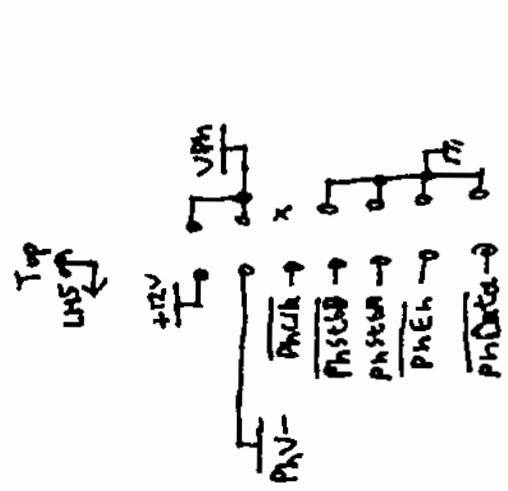
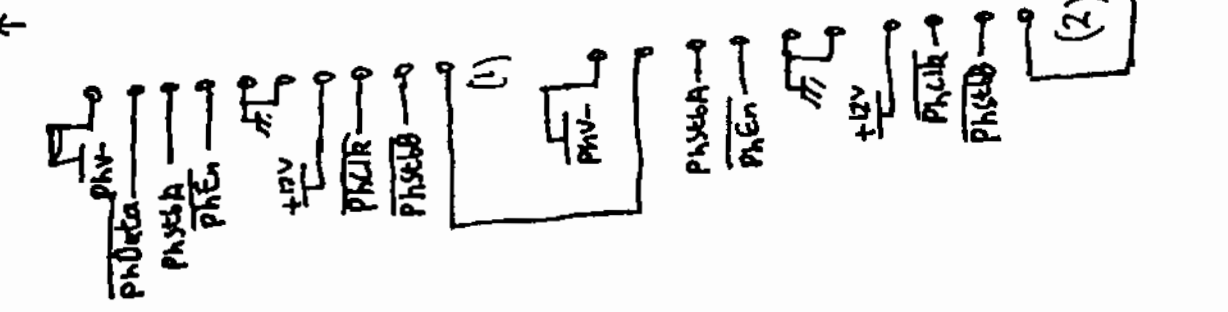
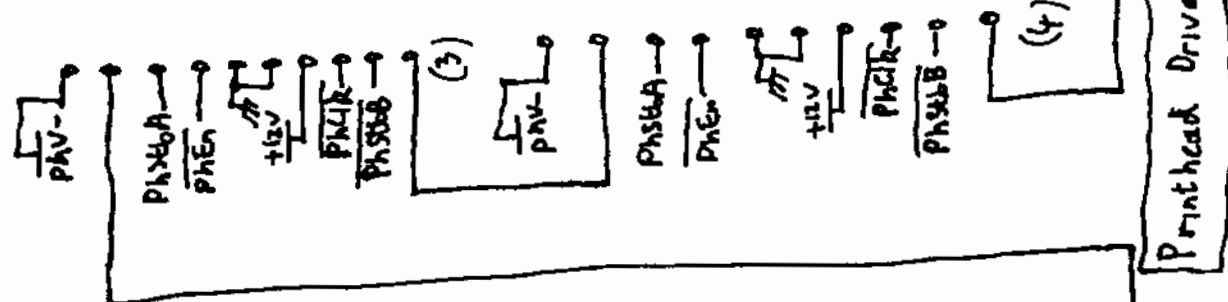
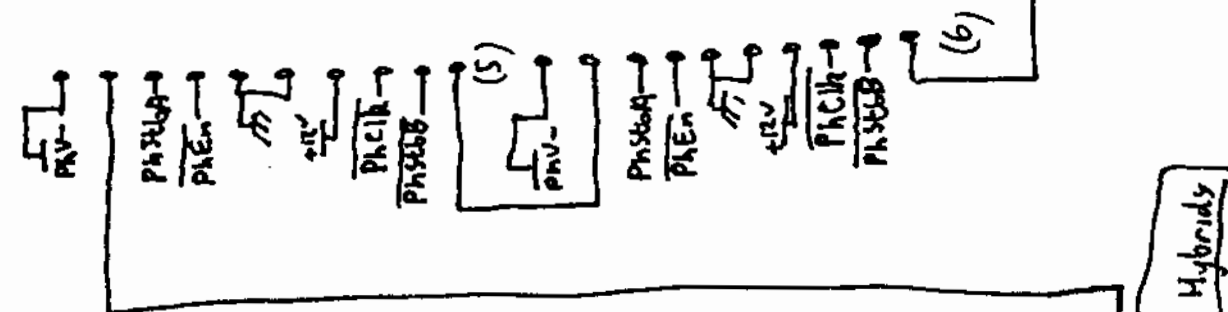
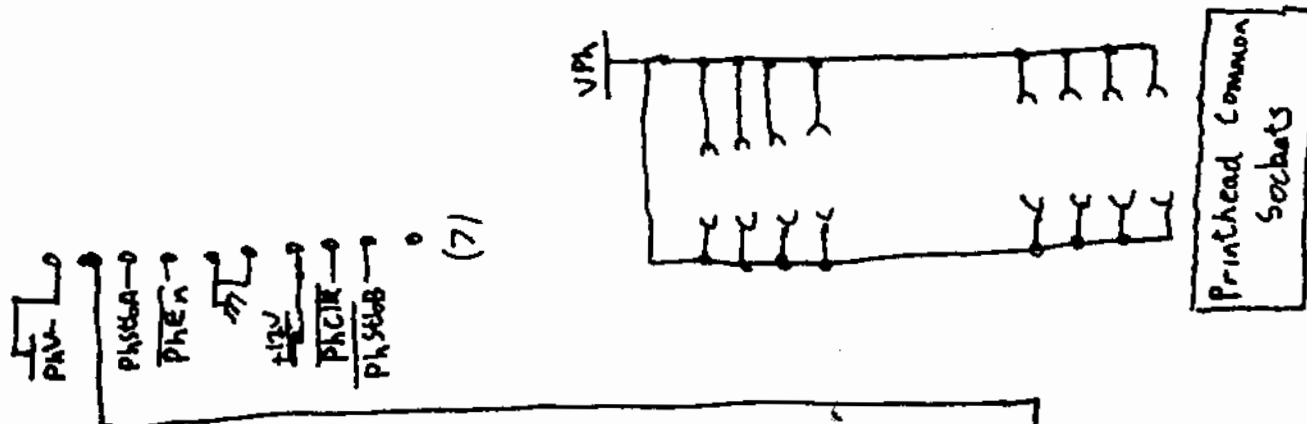
(Switch Connector)

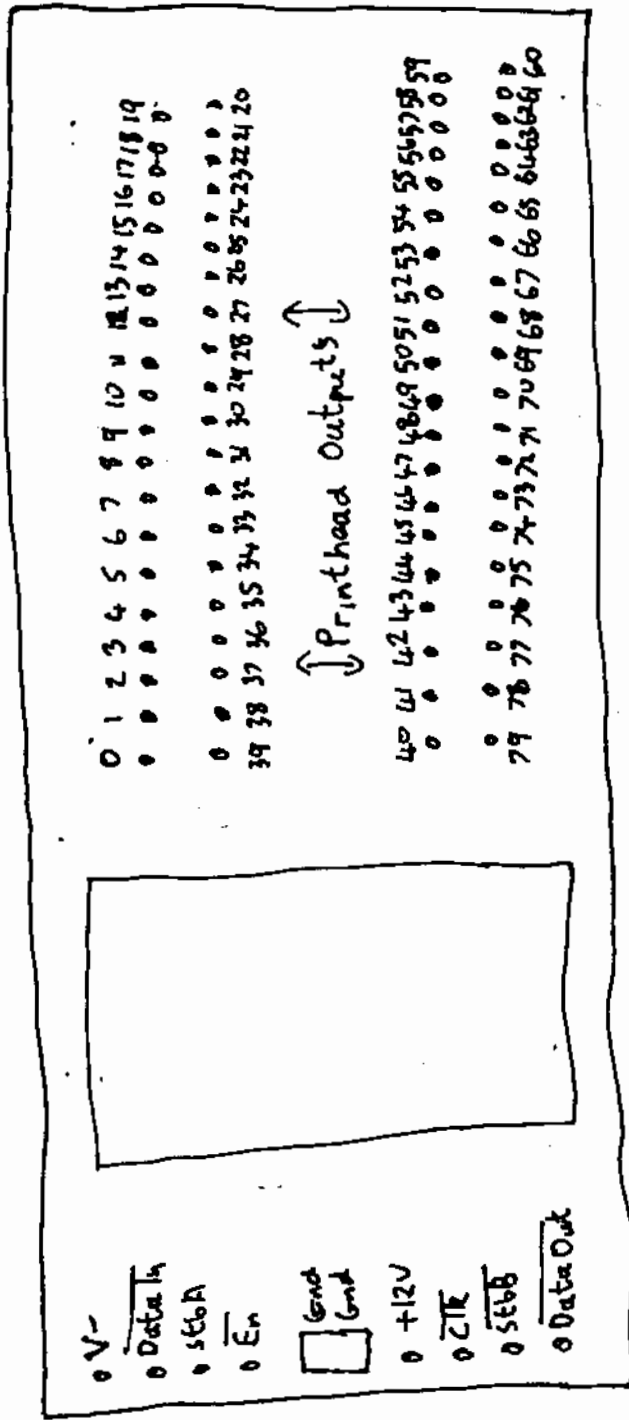


HP9845 Printer Wiring

(Printhead)

LMS ↑





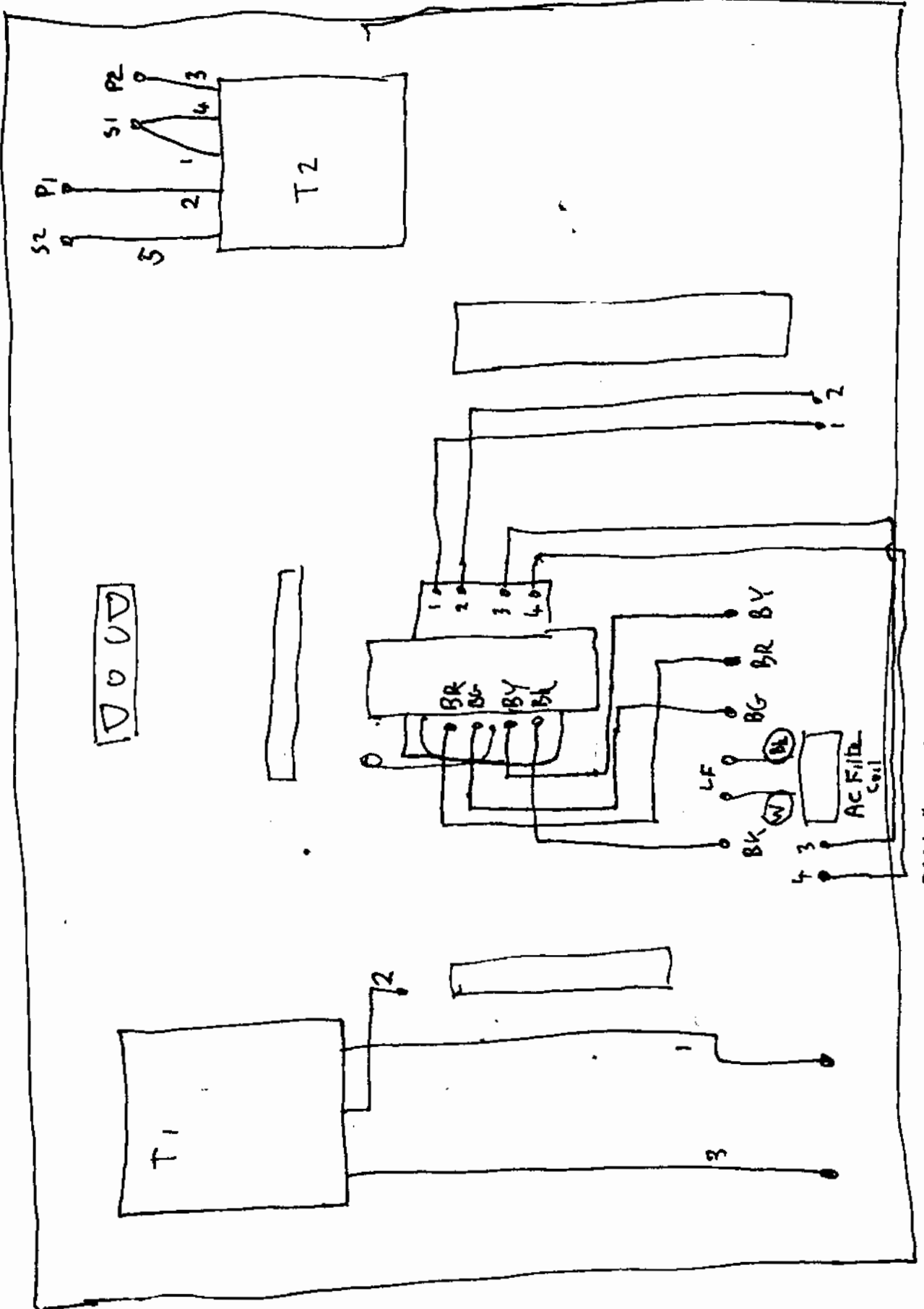
0	1	2	3	4	5	6	7	8	9	10	11	12	13	14	15	16	17	18	19
0	0	0	0	0	0	0	0	0	0	0	0	0	0	0	0	0	0	0	0
0	0	0	0	0	0	0	0	0	0	0	0	0	0	0	0	0	0	0	0
39	38	37	36	35	34	33	32	31	30	29	28	27	26	25	24	23	22	21	20

↑ Printhead Outputs ↓

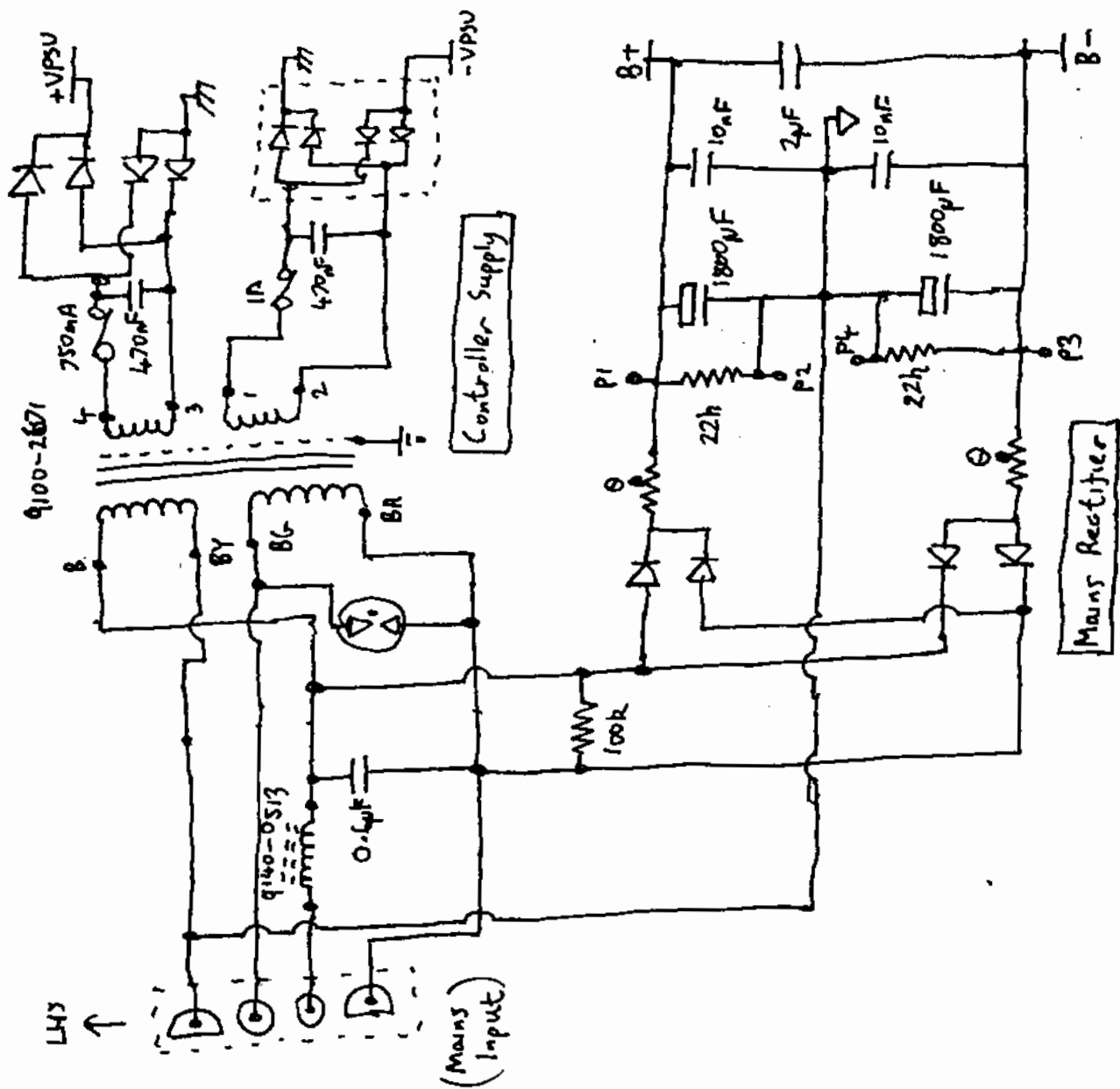
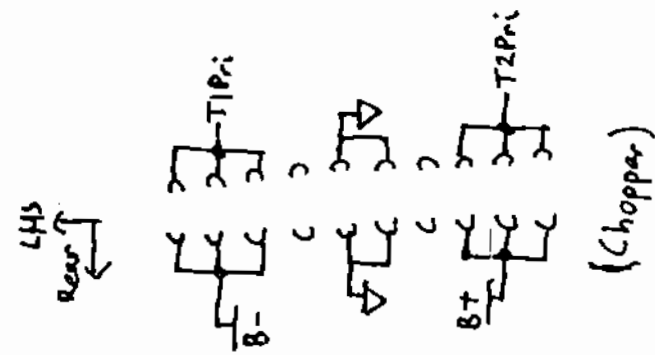
40	41	42	43	44	45	46	47	48	49	50	51	52	53	54	55	56	57	58	59
0	0	0	0	0	0	0	0	0	0	0	0	0	0	0	0	0	0	0	0
0	0	0	0	0	0	0	0	0	0	0	0	0	0	0	0	0	0	0	0
79	78	77	76	75	74	73	72	71	70	69	68	67	66	65	64	63	62	61	60

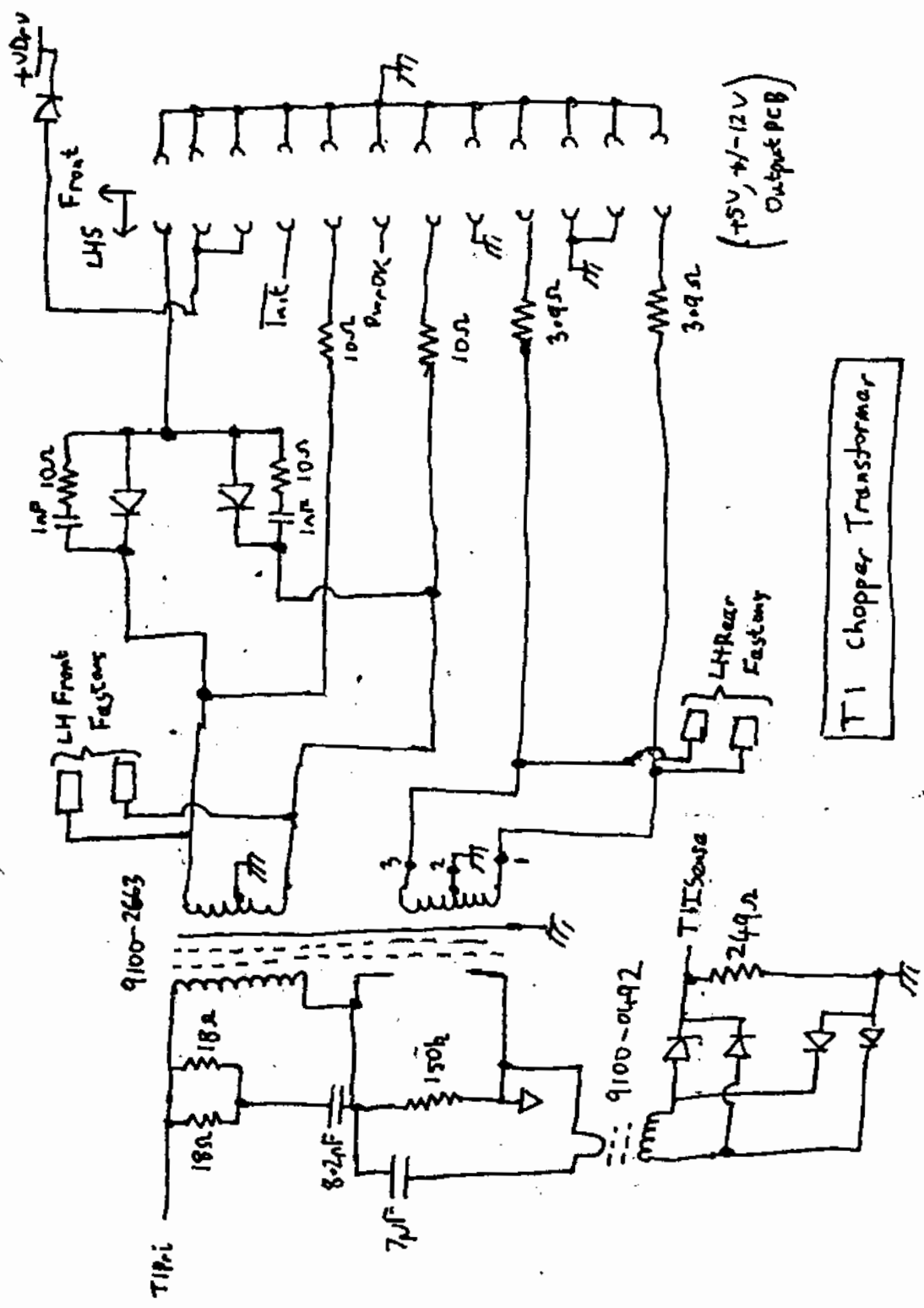
5061-3020
Printhead Driver Hybrid

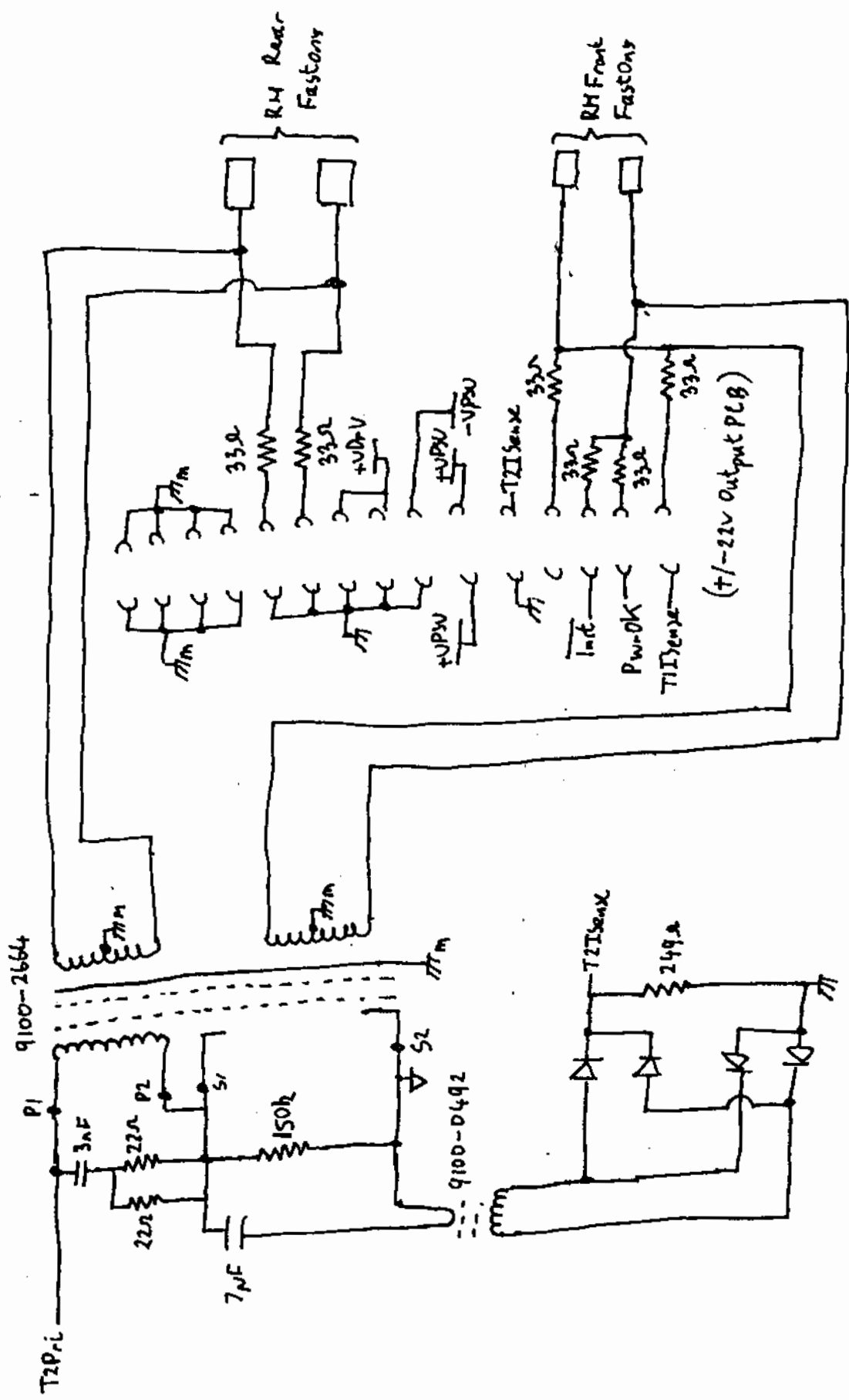
Printhead Assistance : 11072



PSU Mainboard

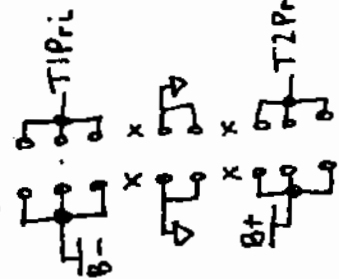






T2 Chopper Transformer

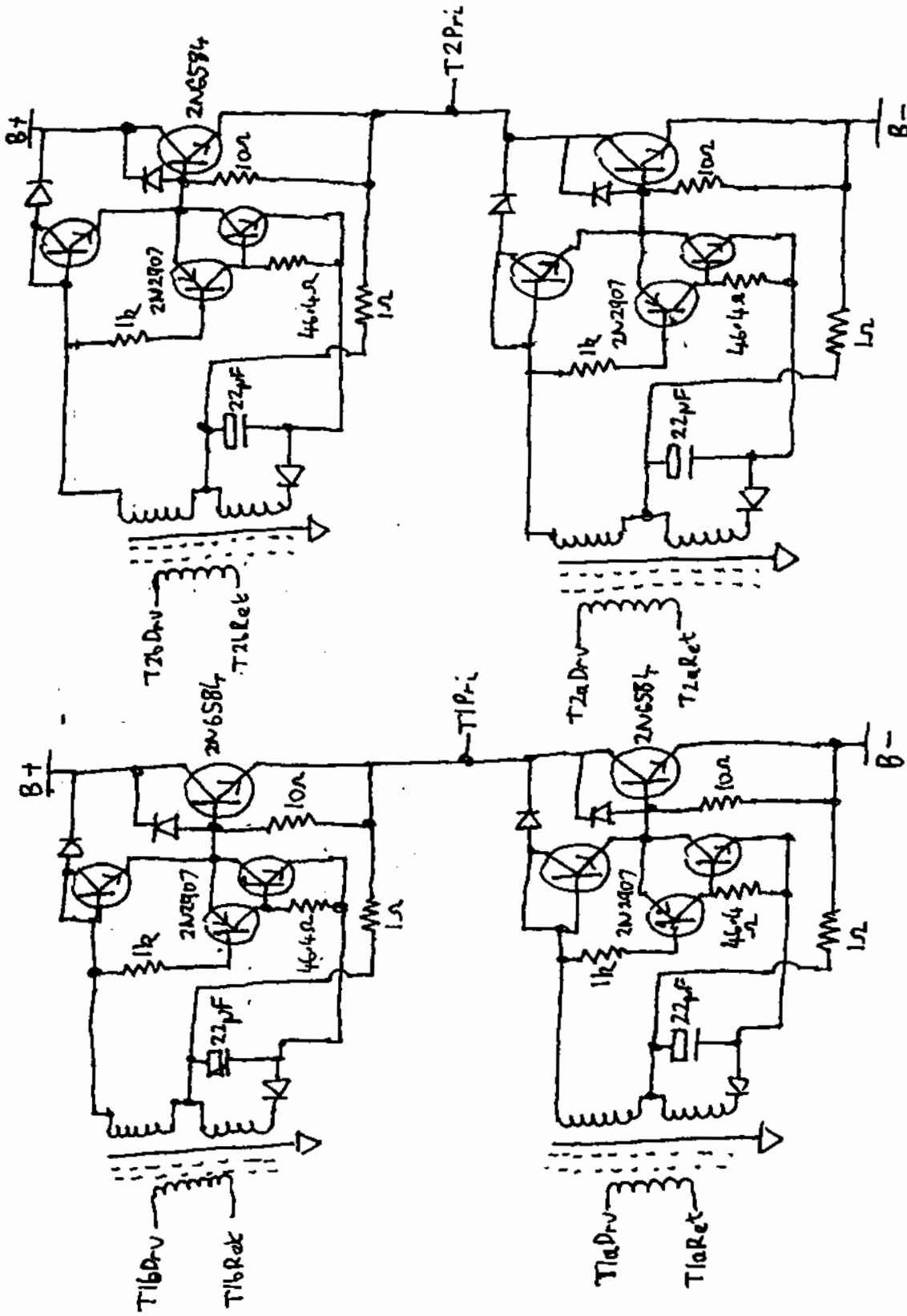
Recr
LHS

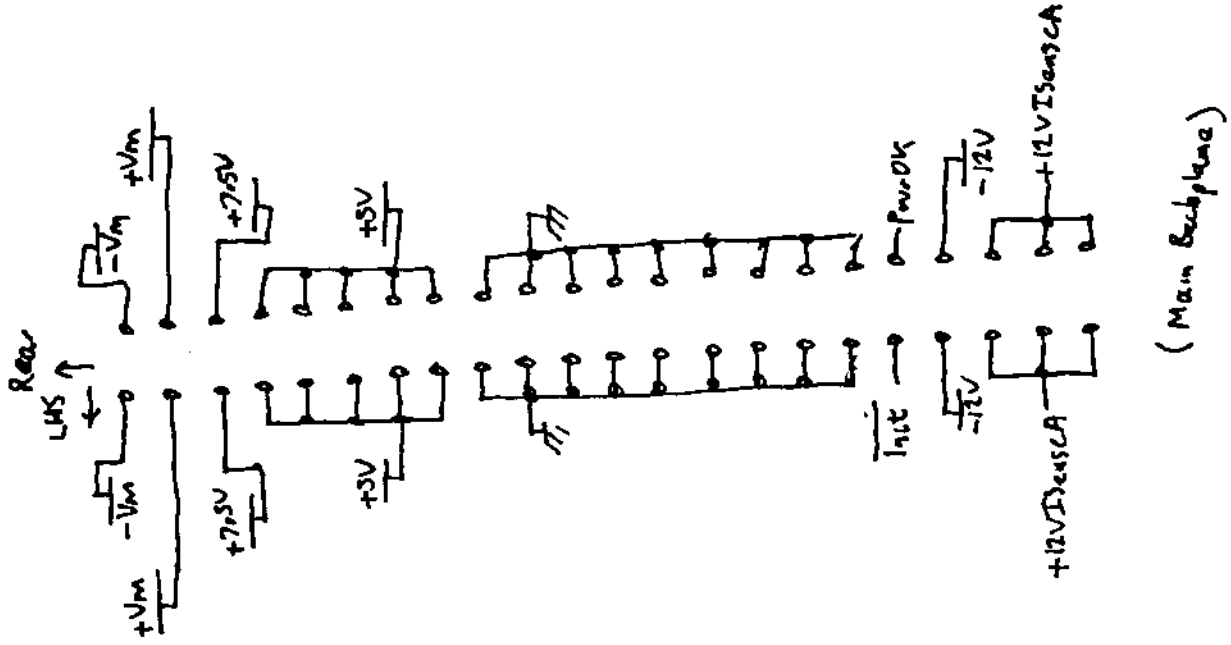
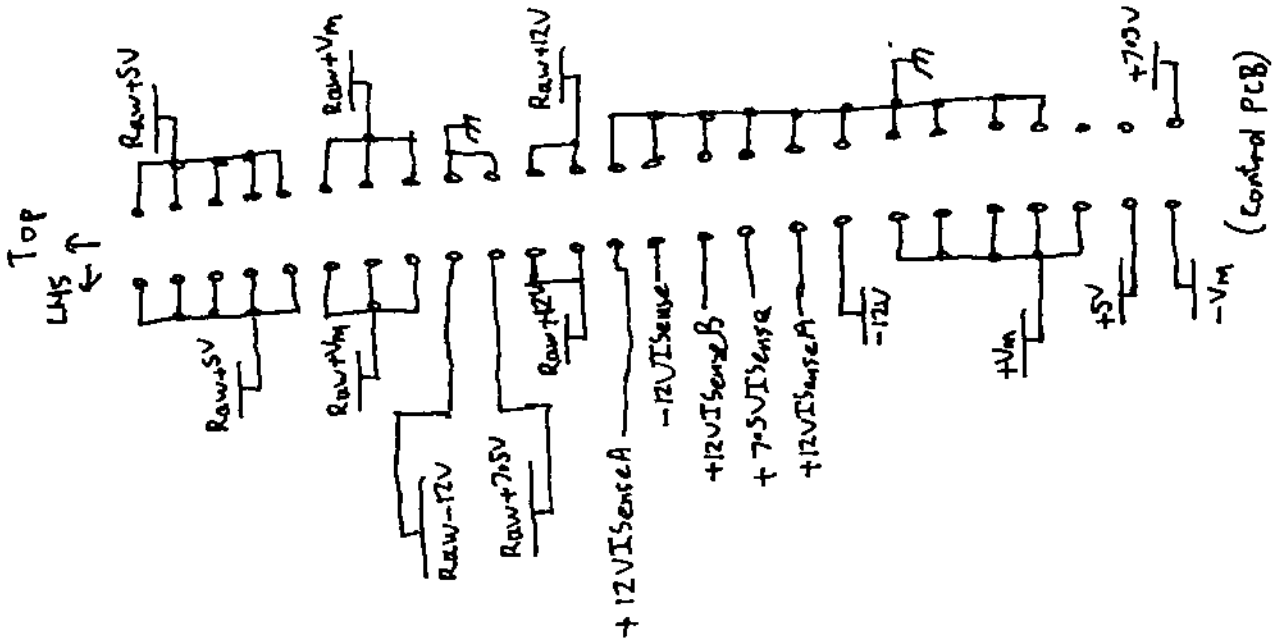
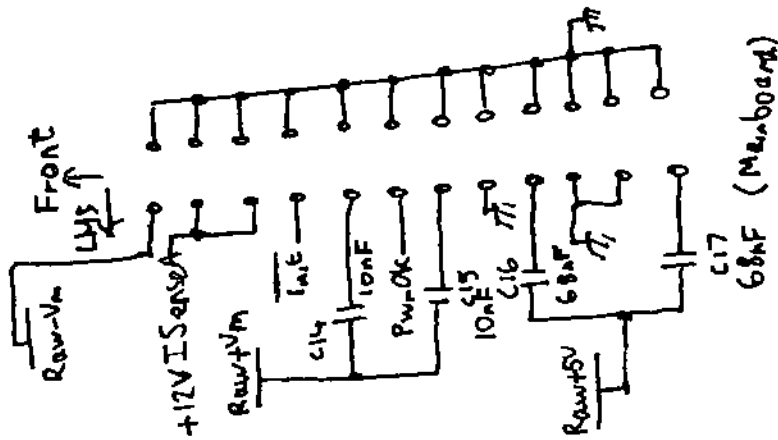


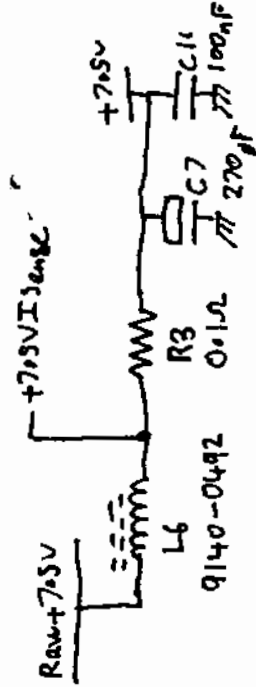
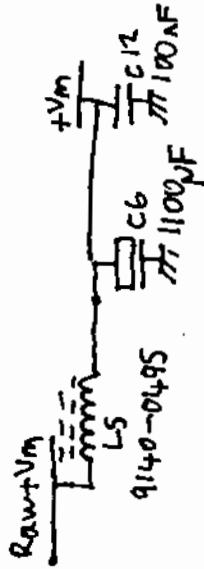
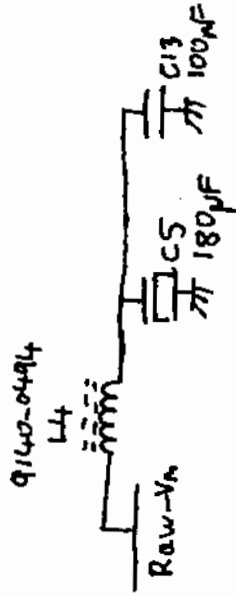
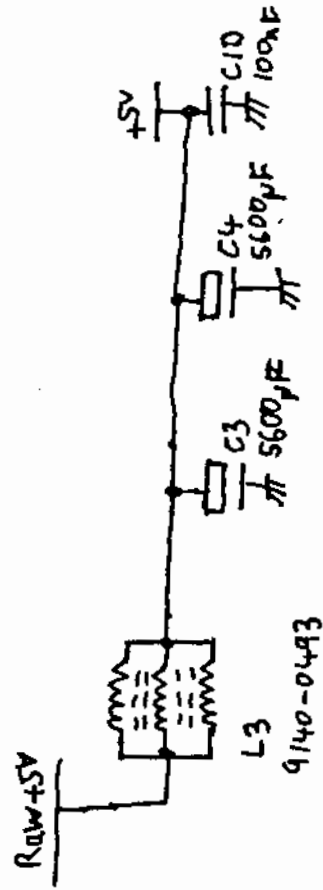
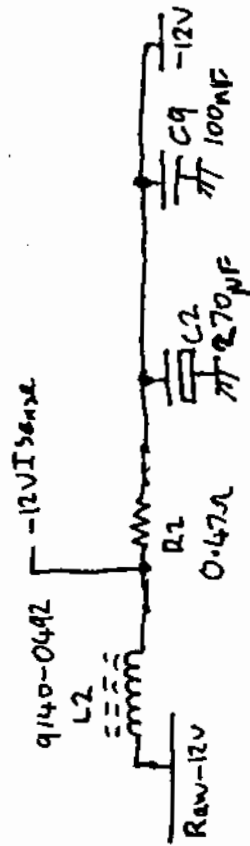
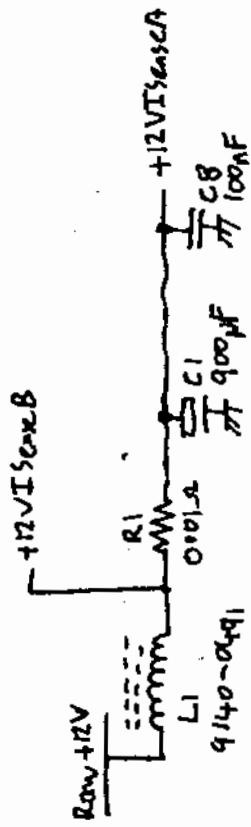
(mainboard)

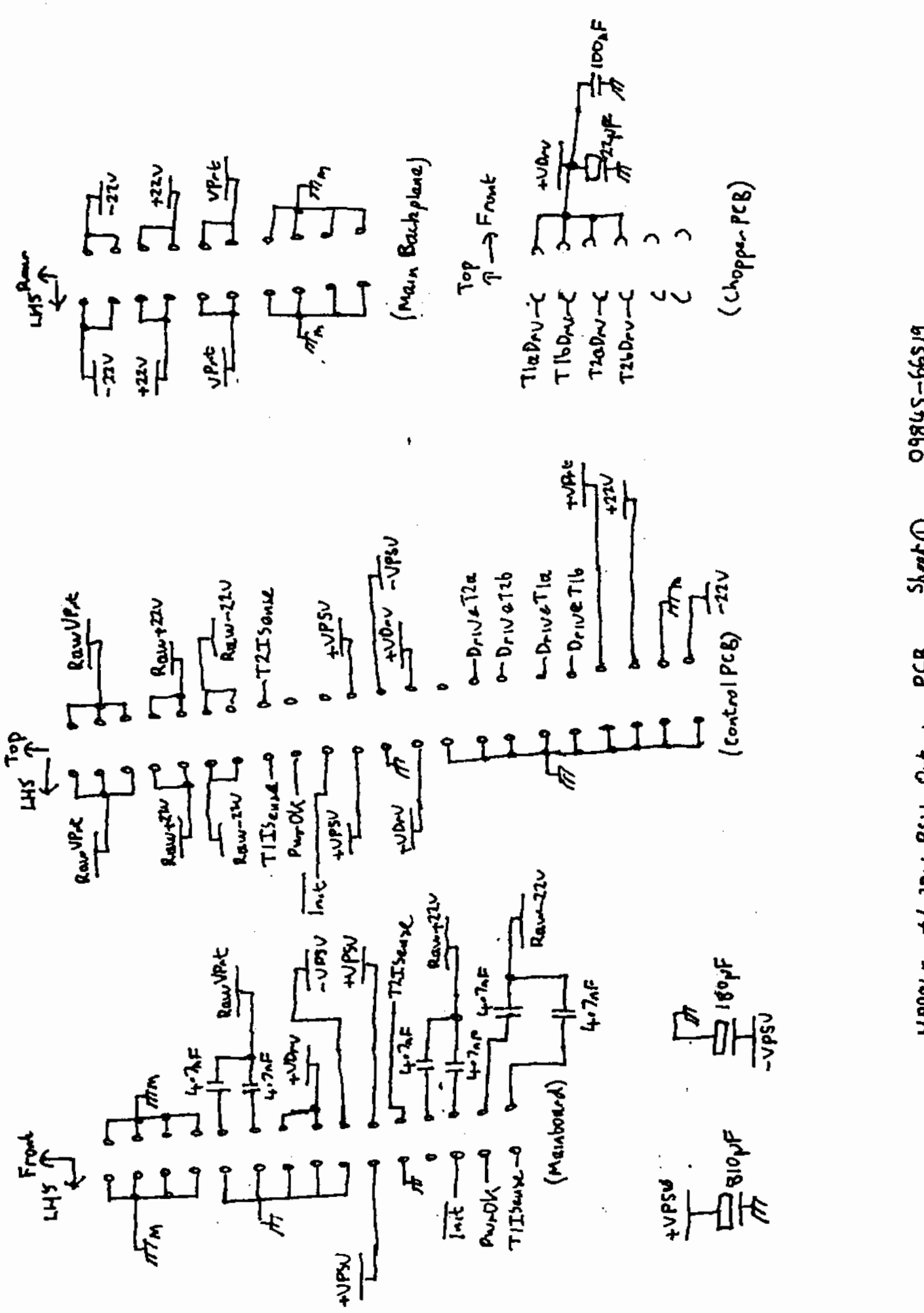
- T1aDrv → o-T1aRet
- T1bDrv → o-T1bRet
- T2aDrv → o-T2aRet
- T2bDrv → o-T2bRet
- X X
- X X

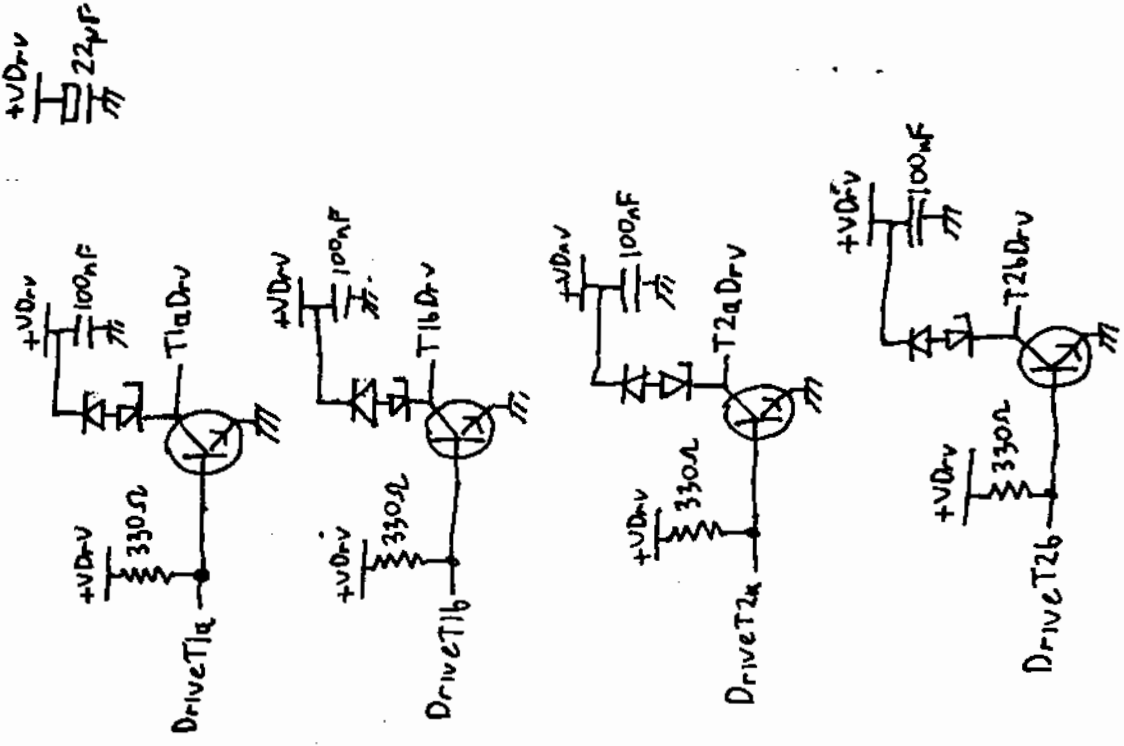
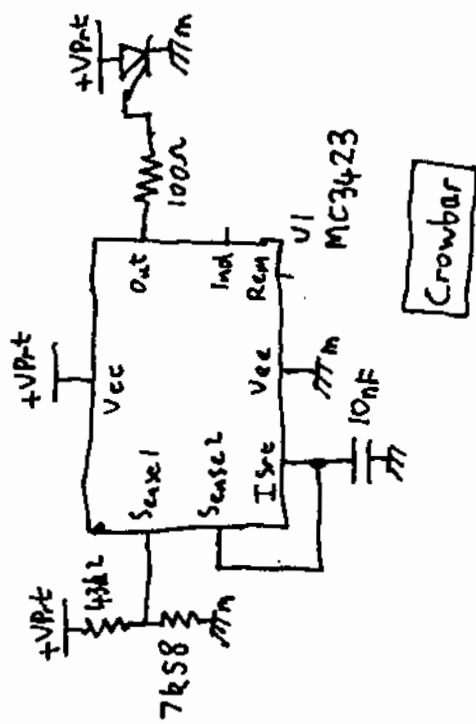
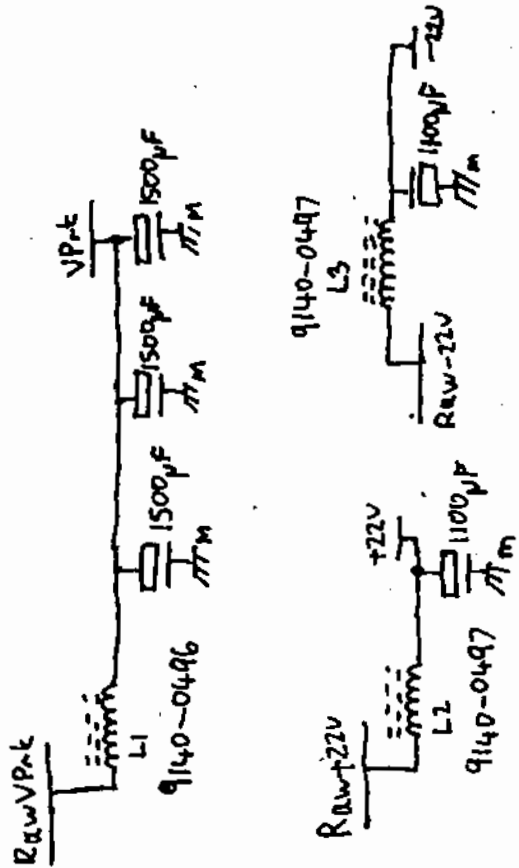
(+/-22V output)

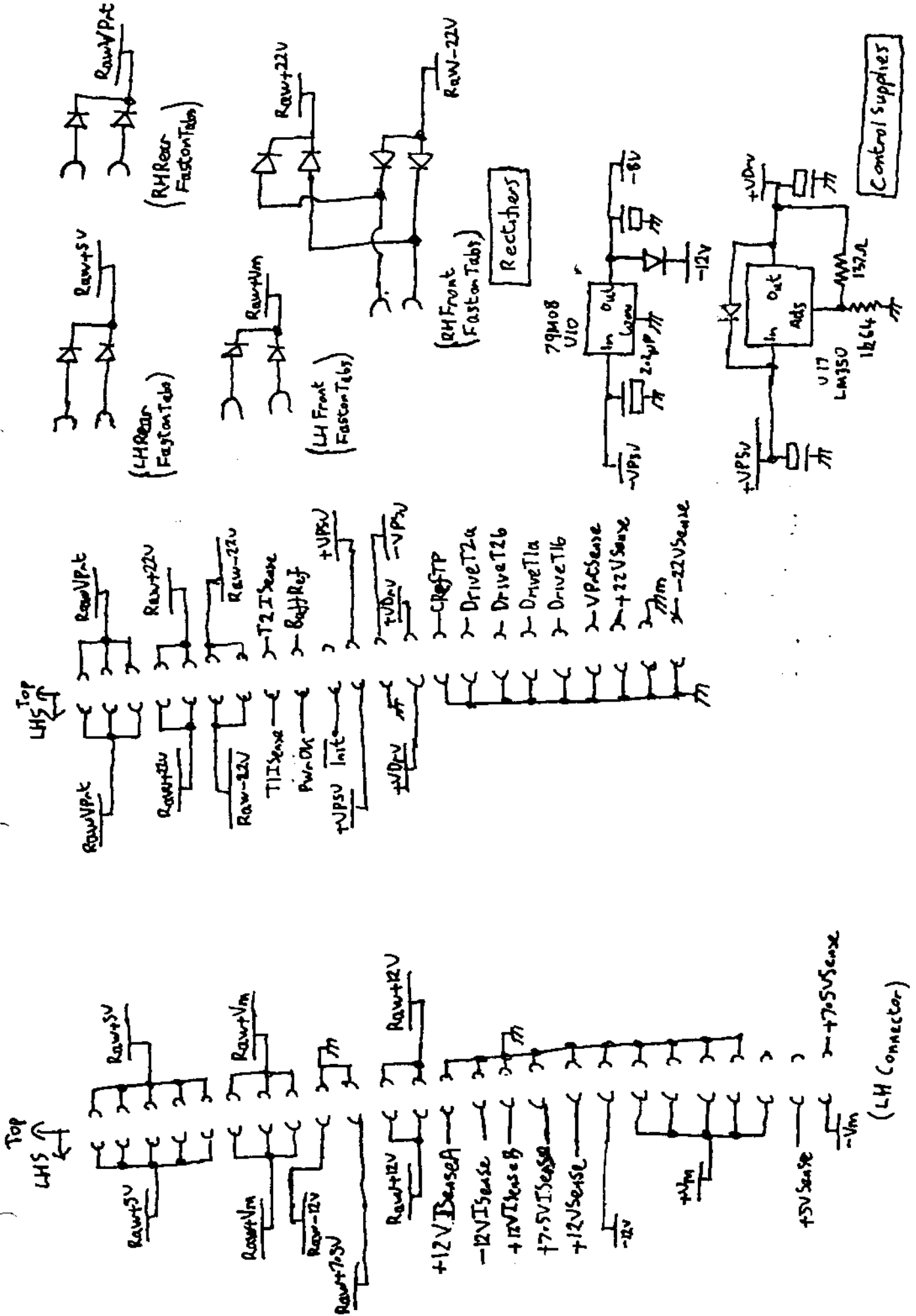


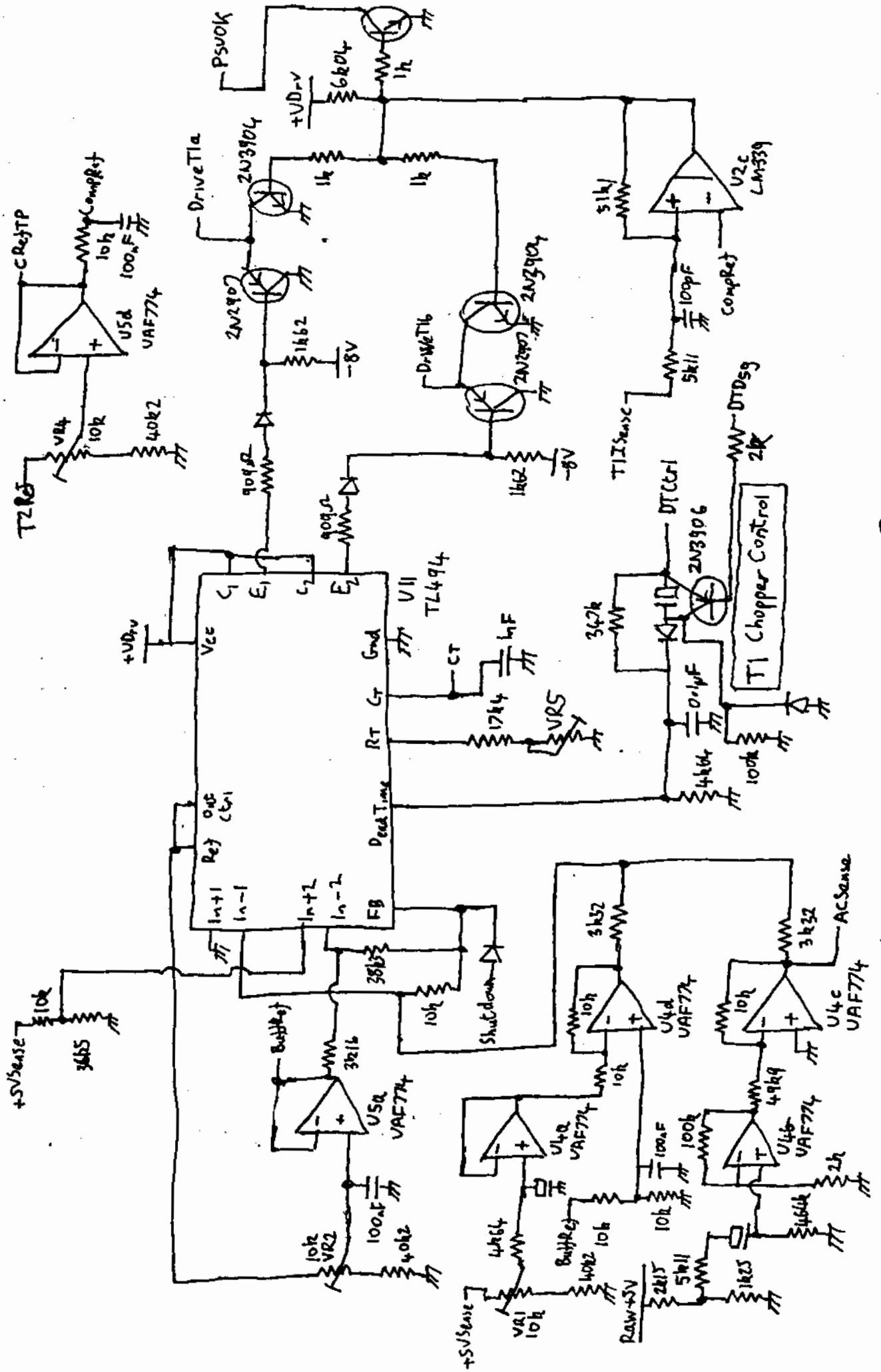


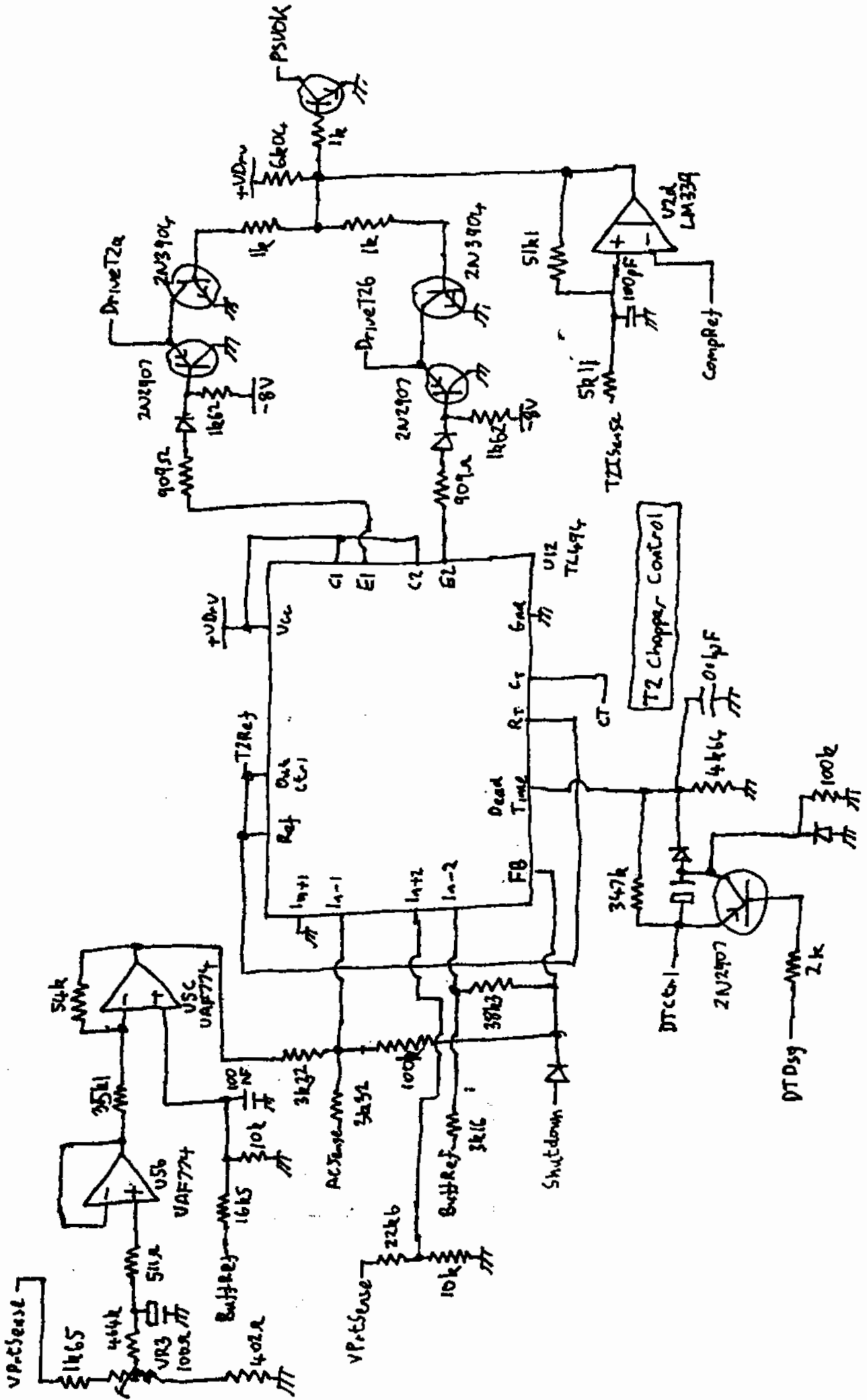


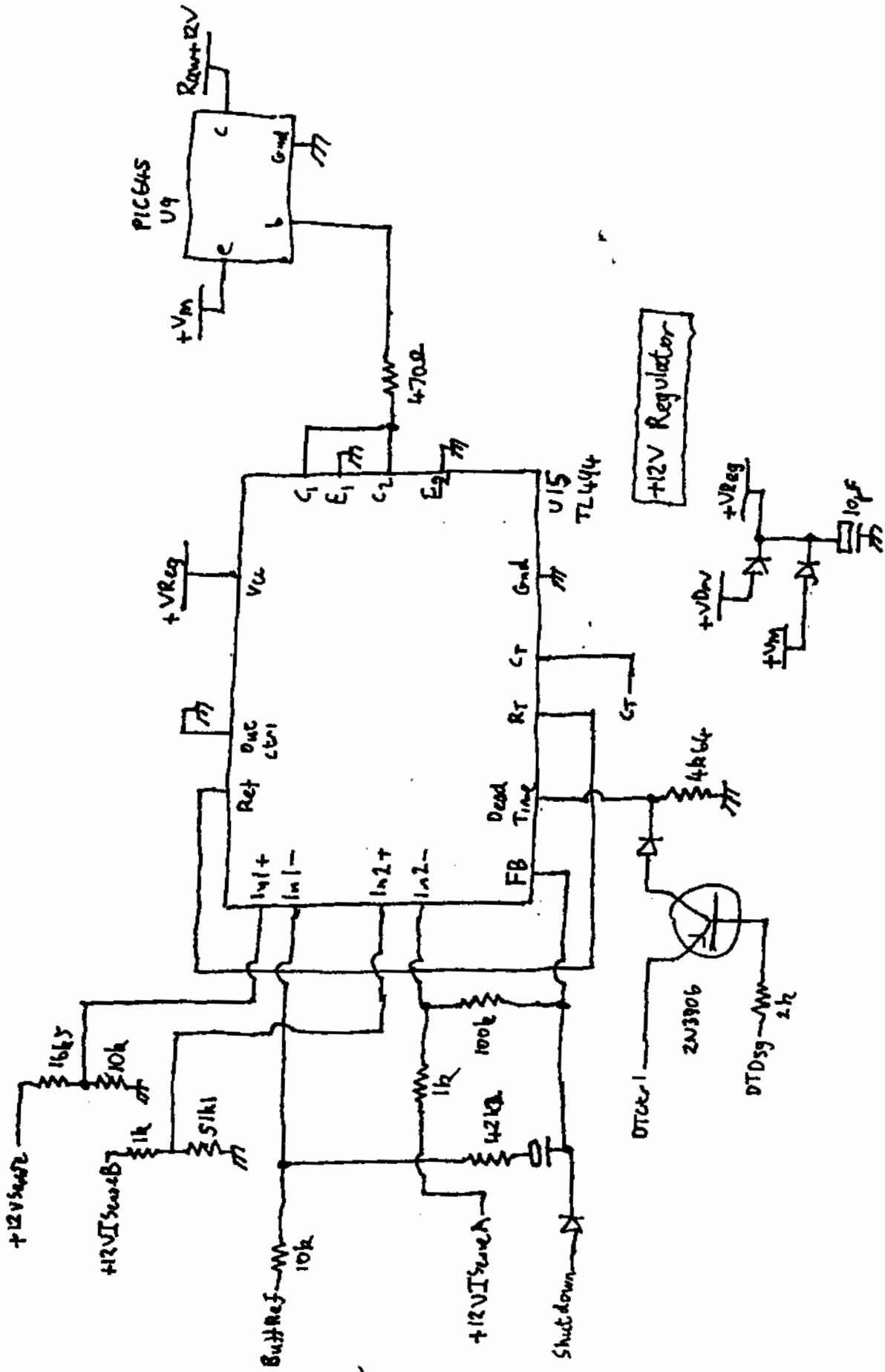




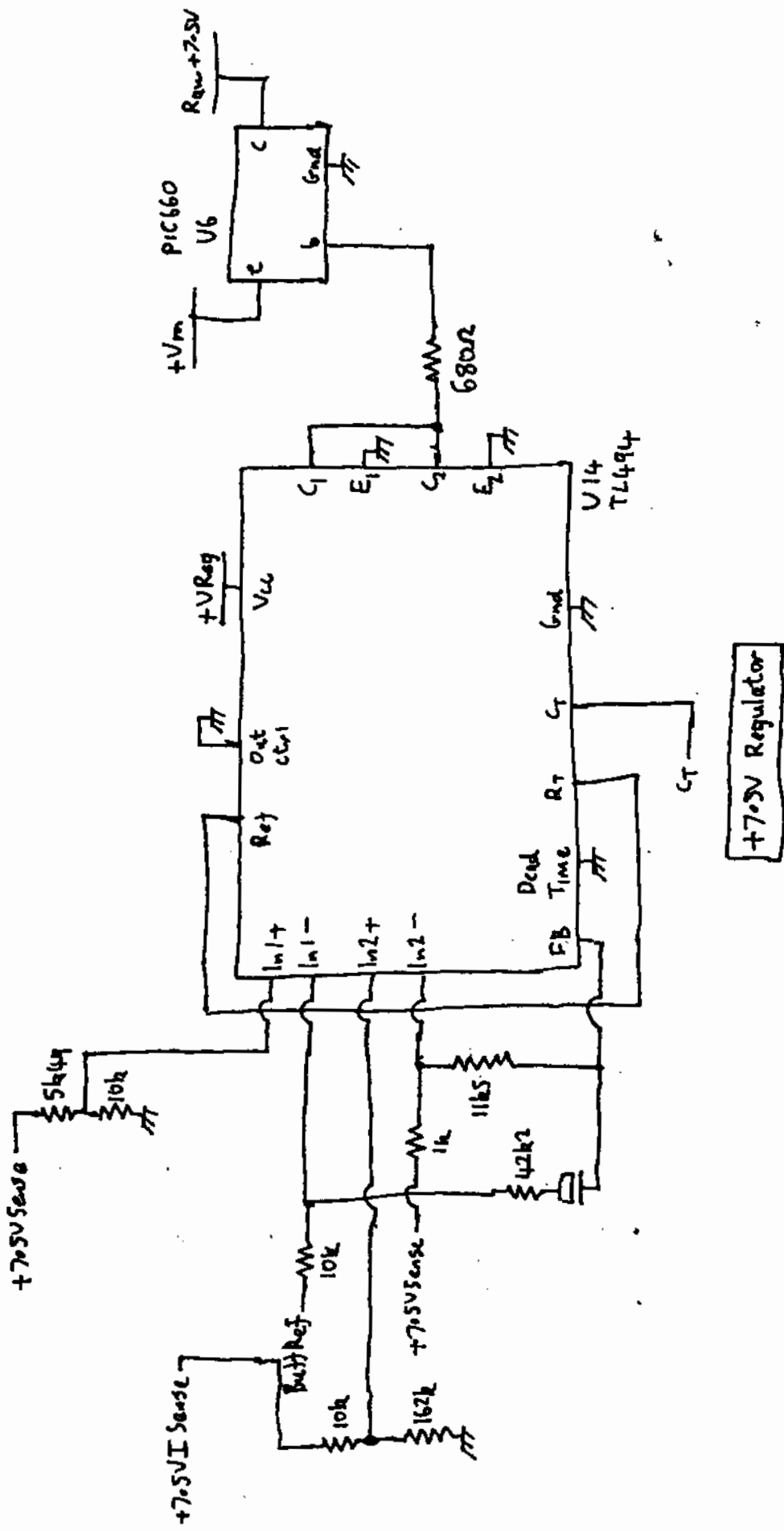




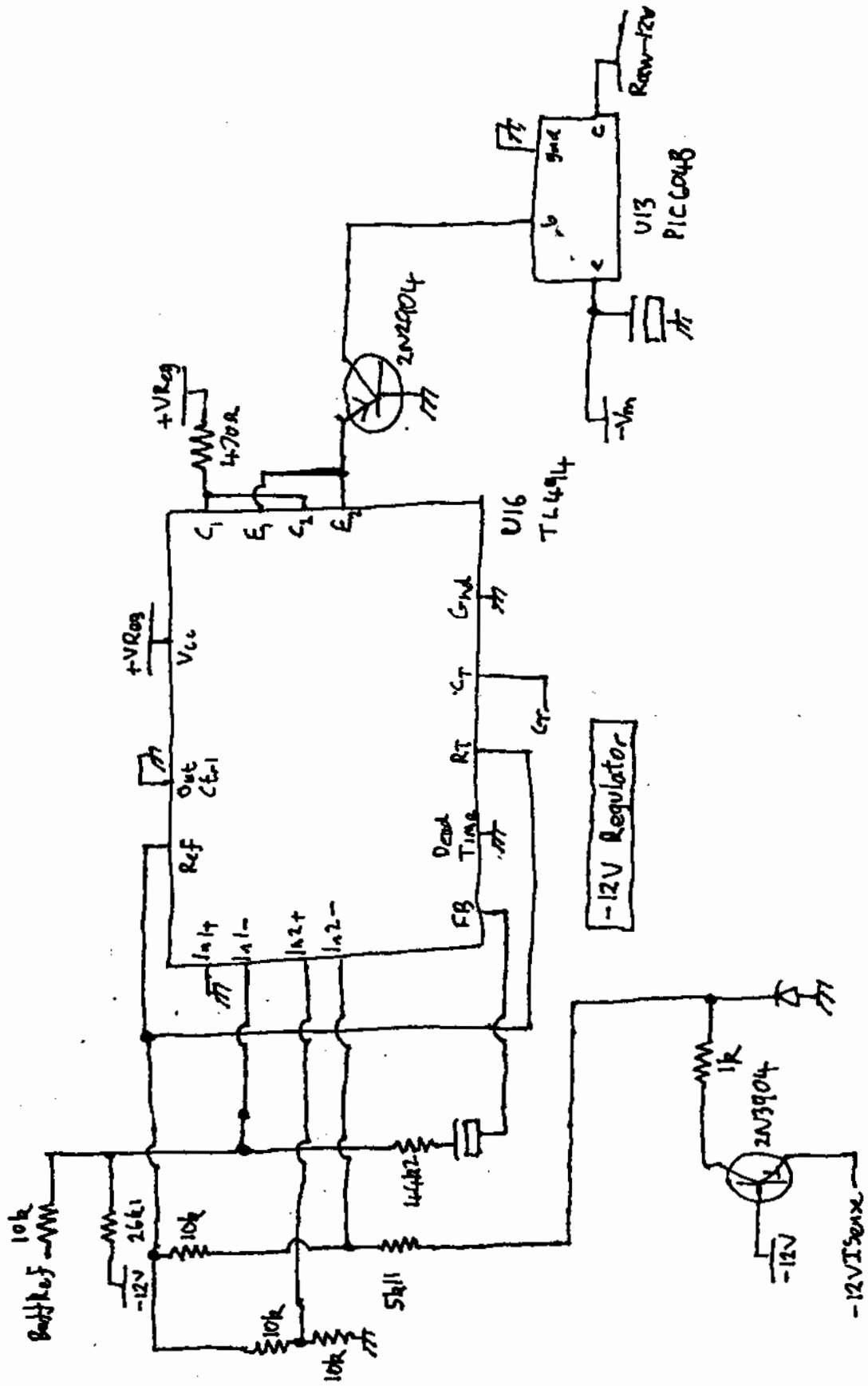


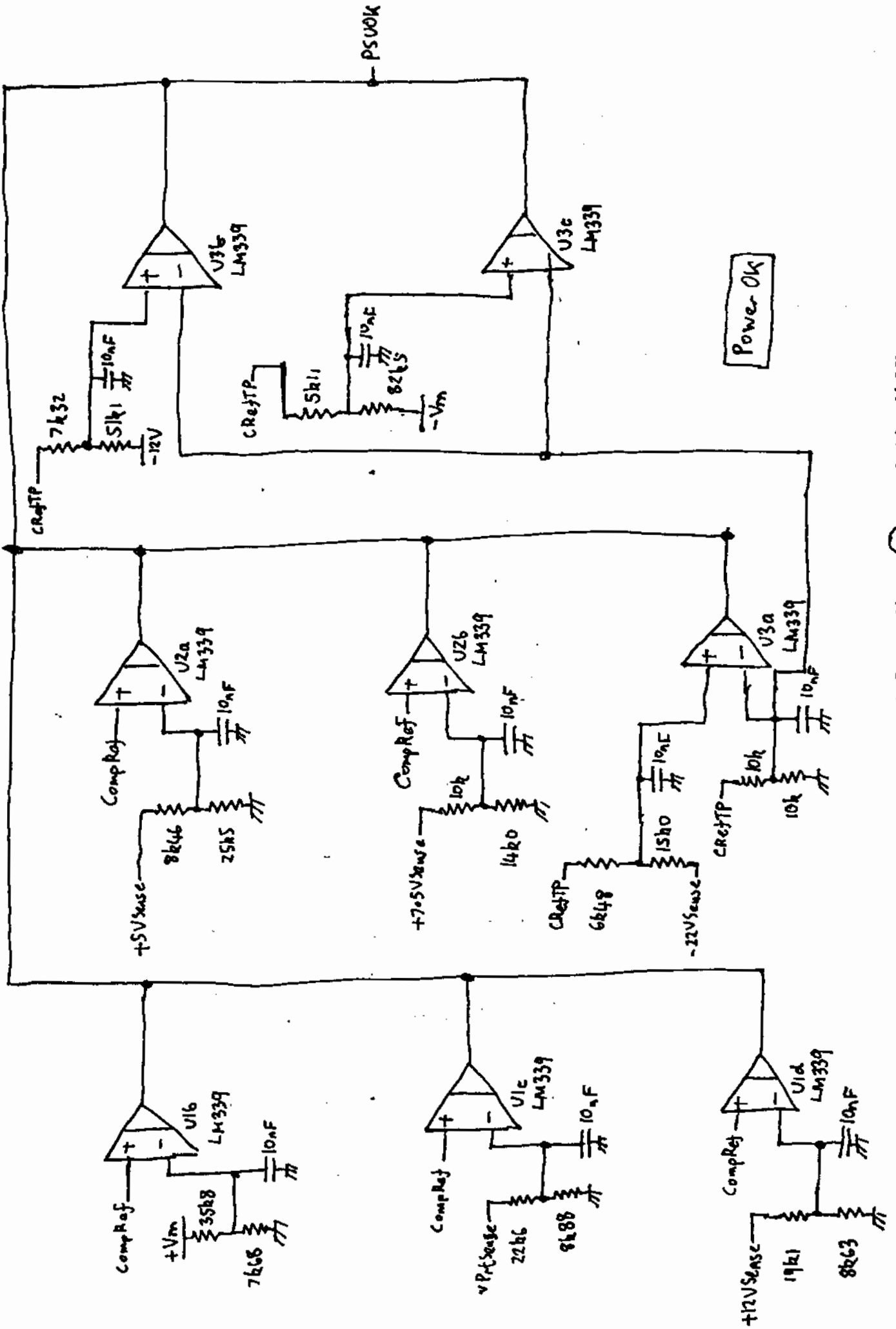


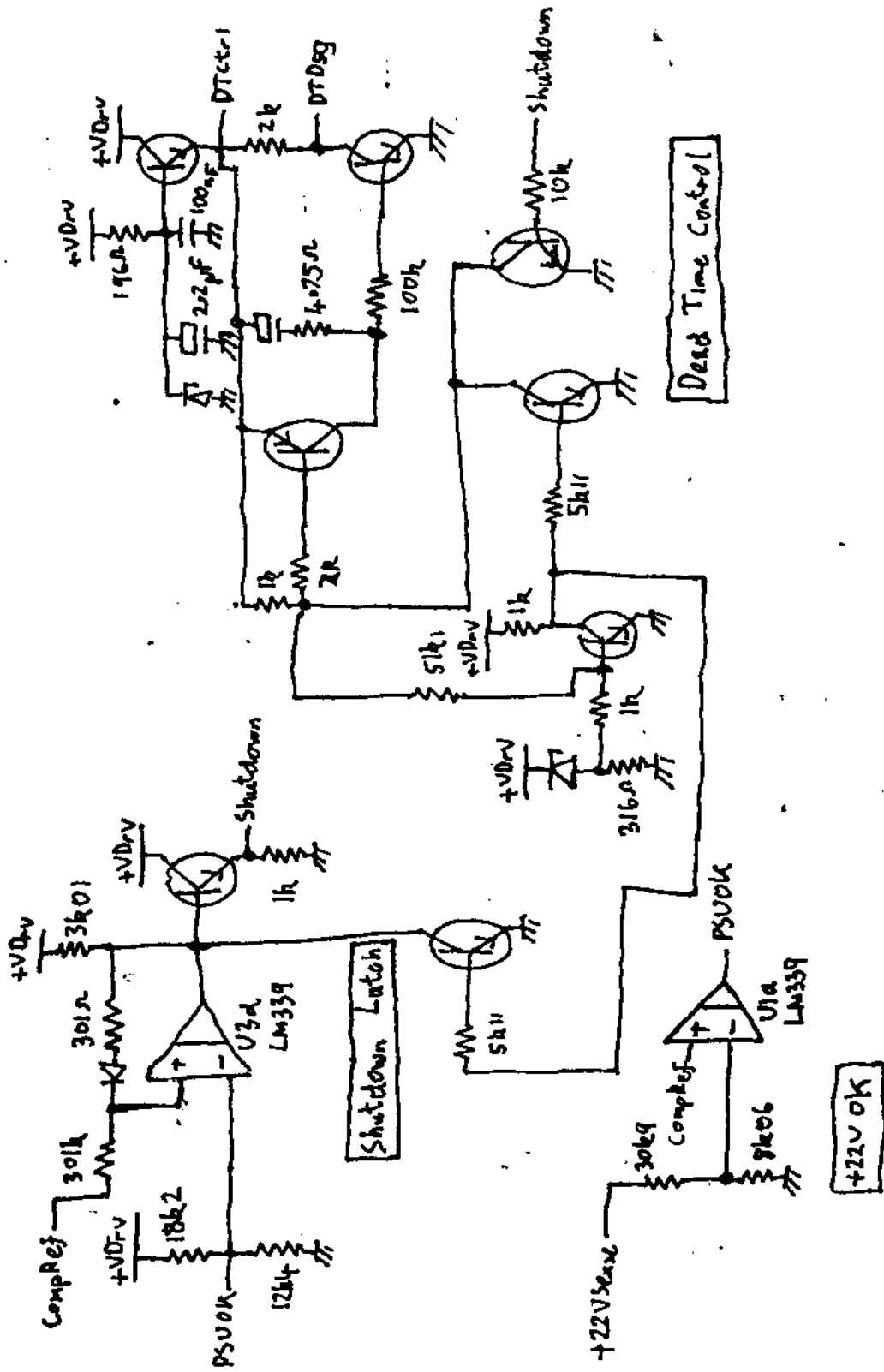
HP9845 PSU Control PCB Sheet (4) 09845-66534

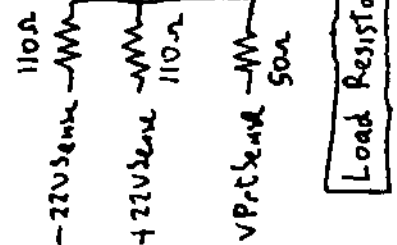
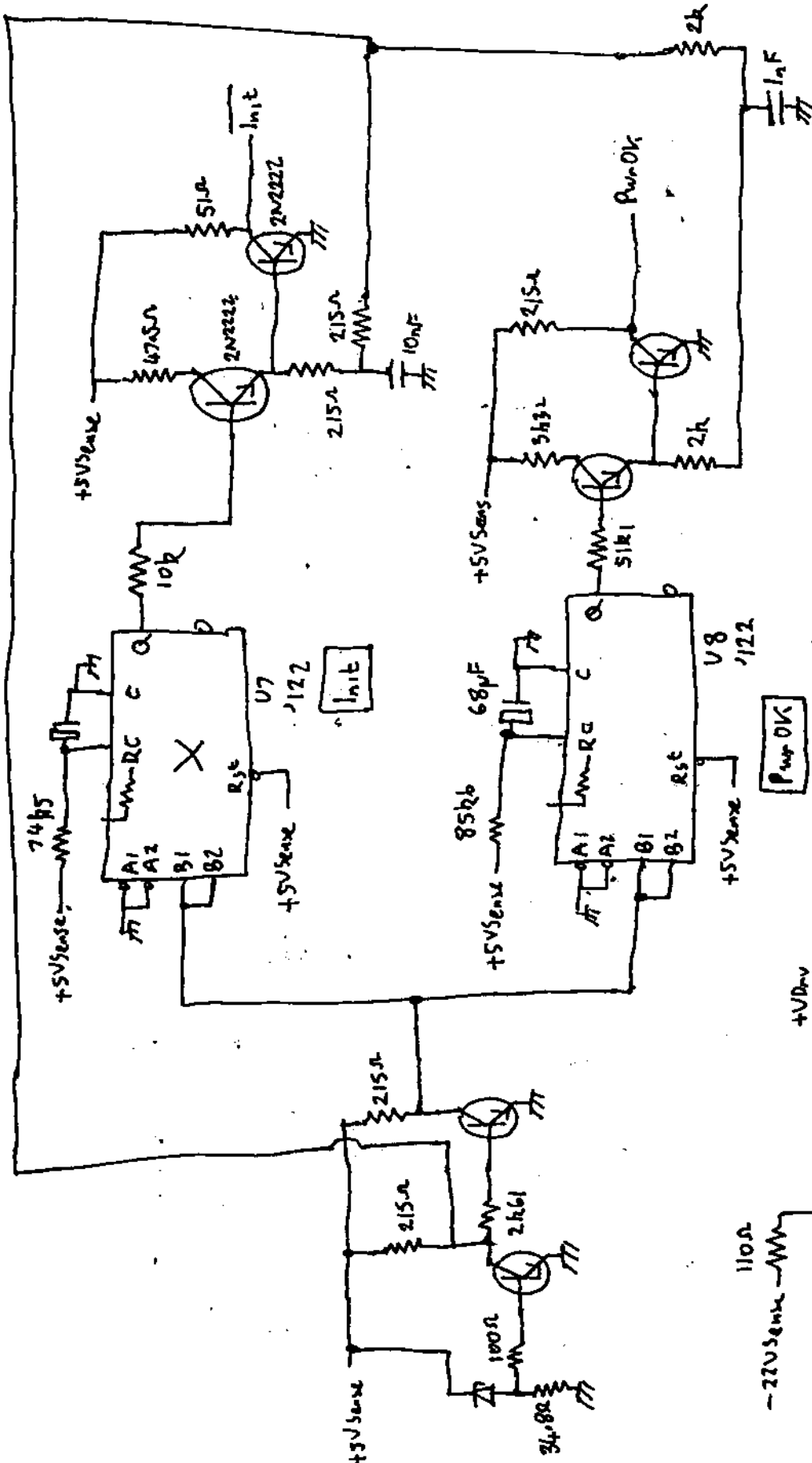


+7.5V Regulator

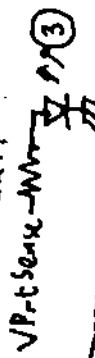
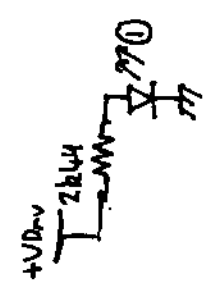






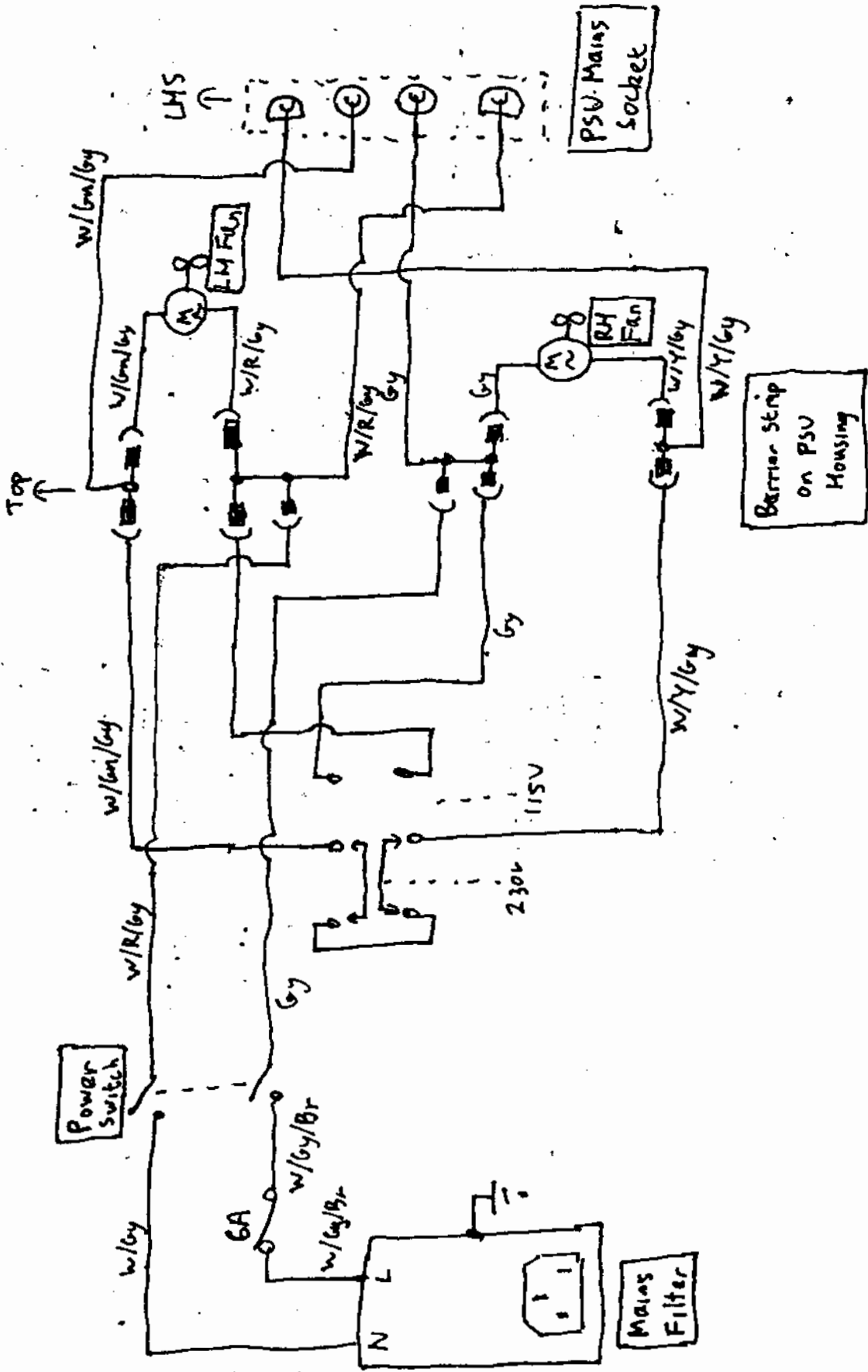


Load Resistors

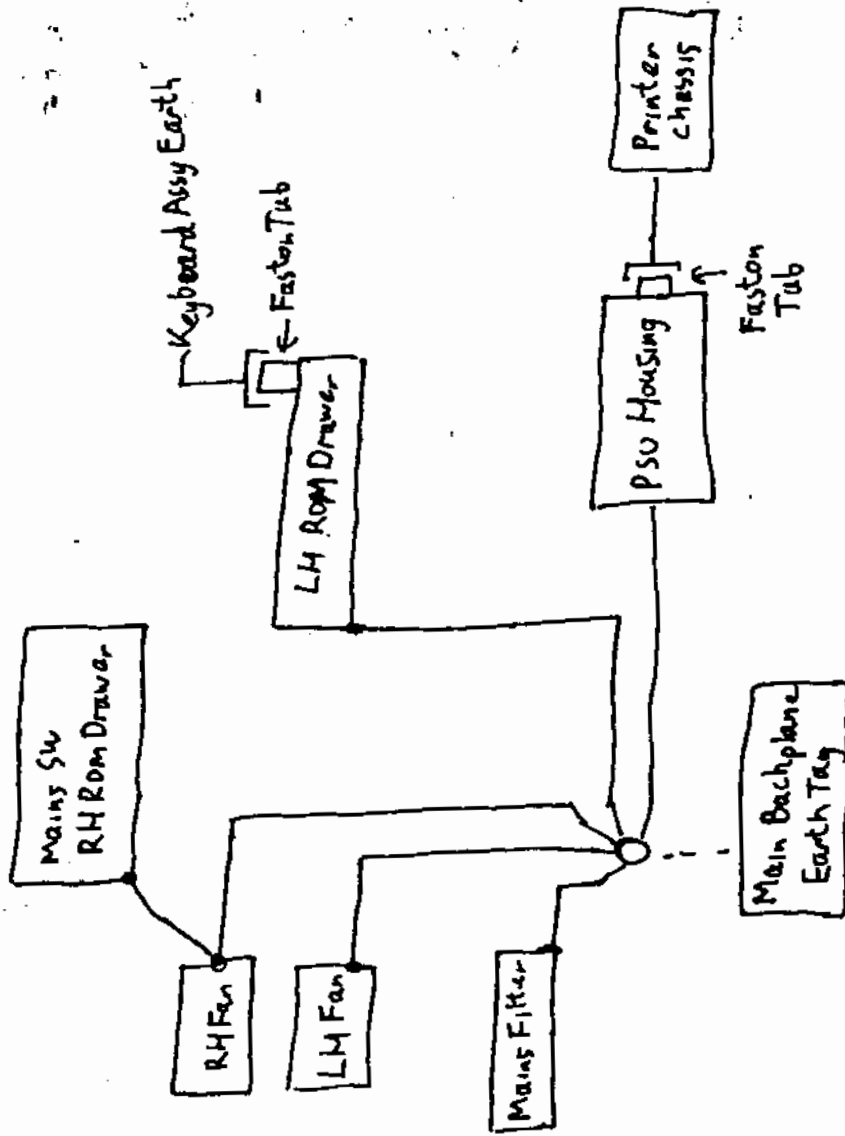


Monitor LEDs





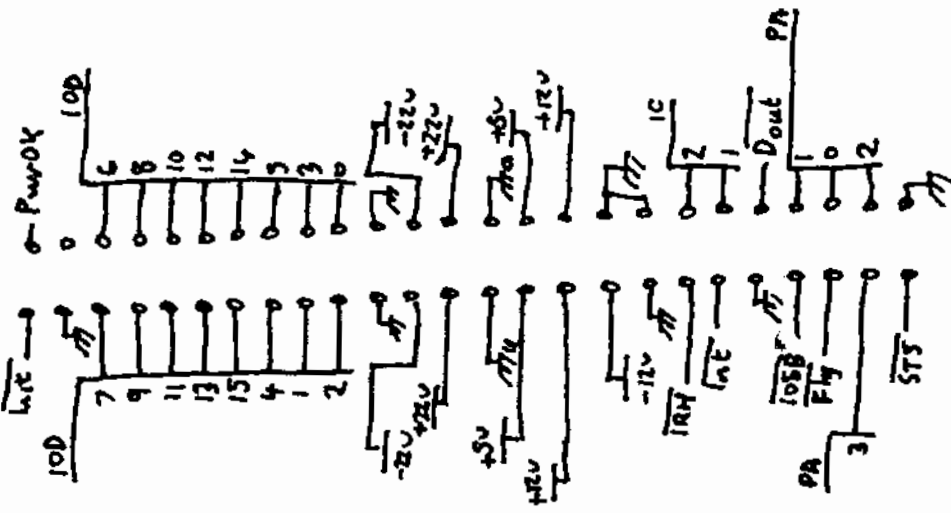
HP9845 Mains Wiring



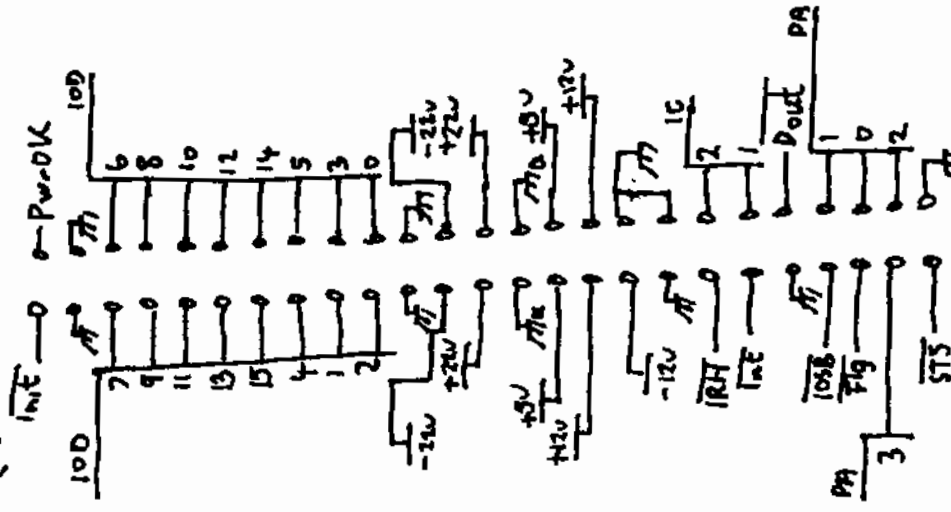
HP 9845 Rear Chassis Earth Wiring

LHS

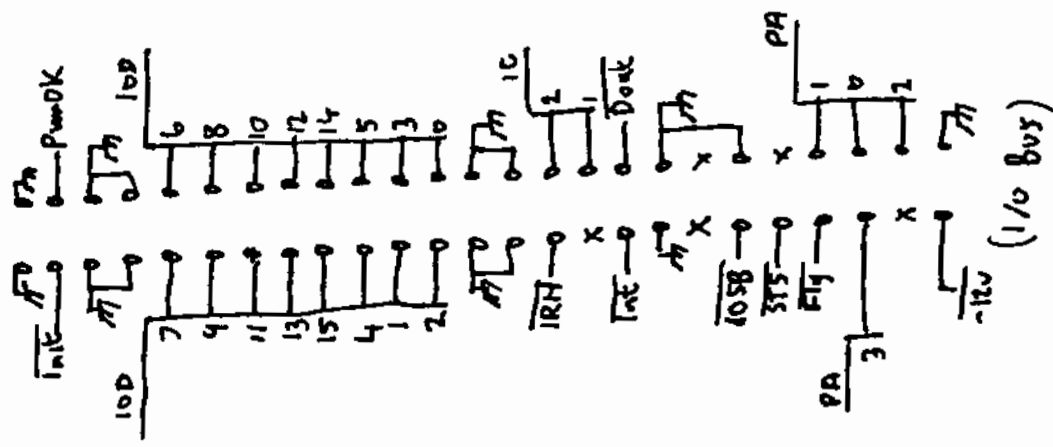
Top ↑



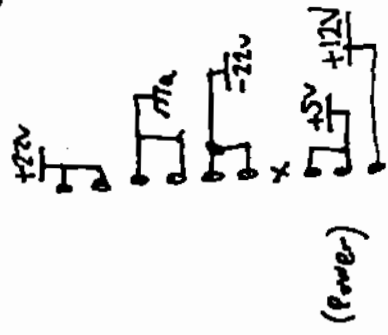
(RH Tape Controller)



(LH Tape Controller)

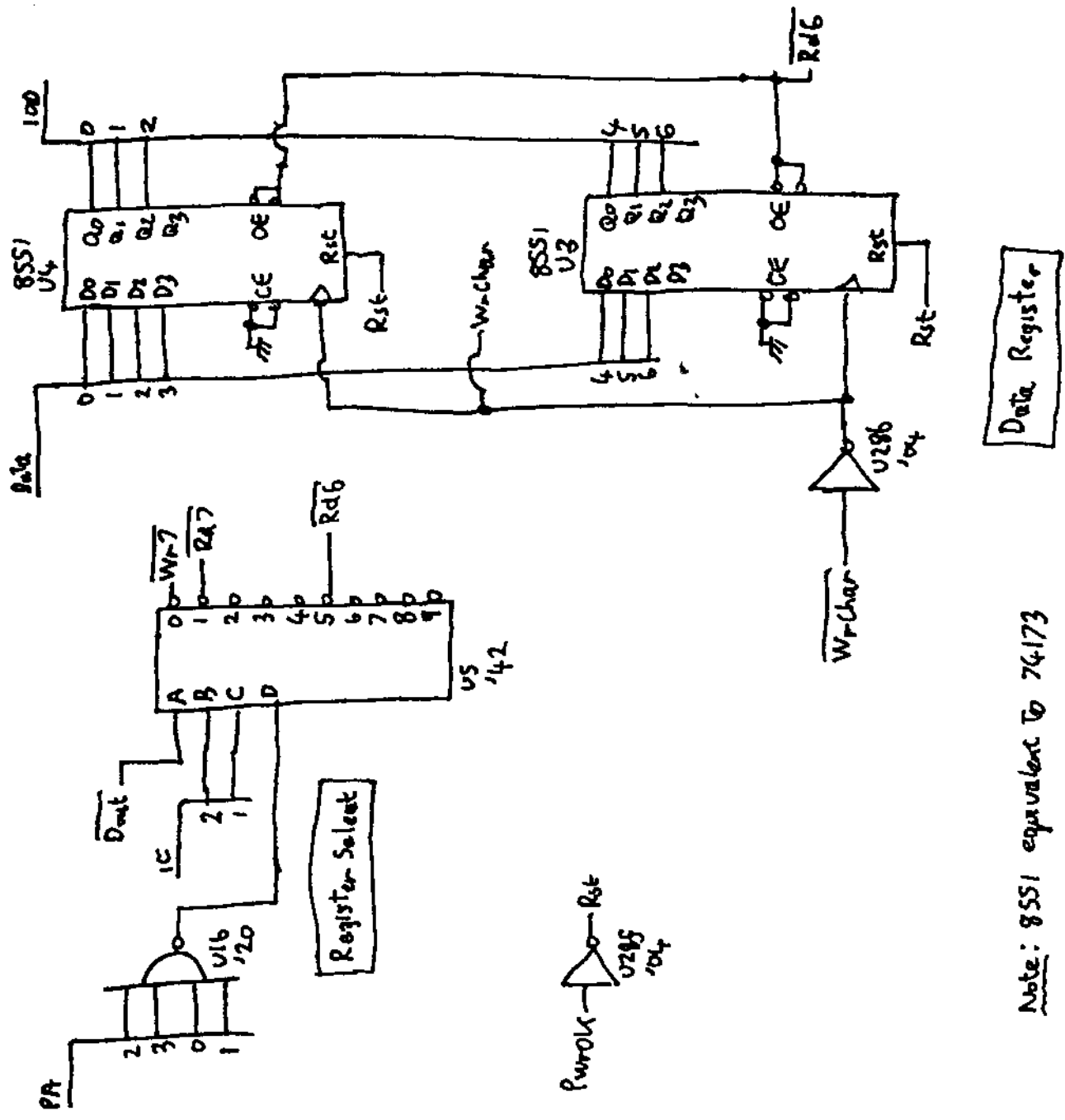
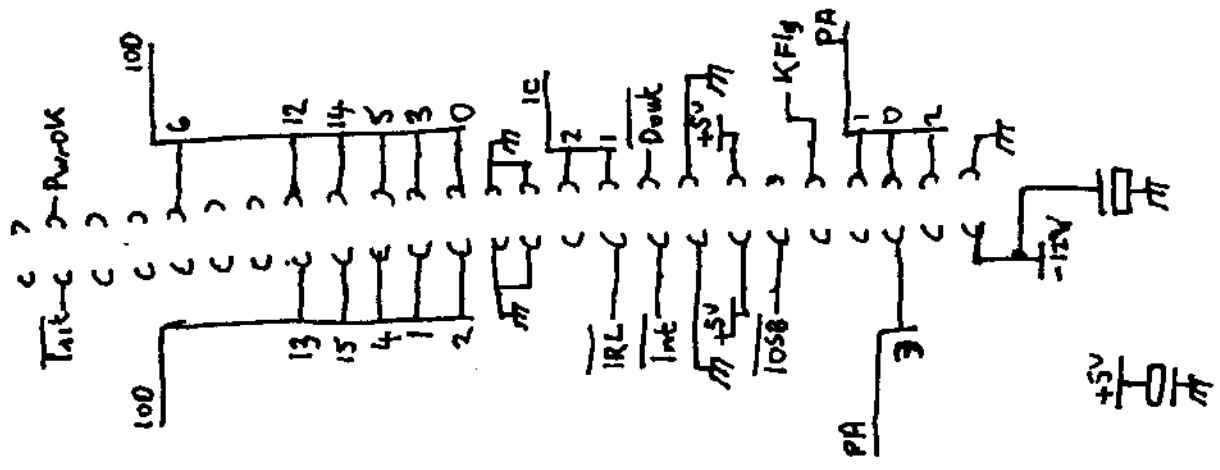


(I/O Bus)



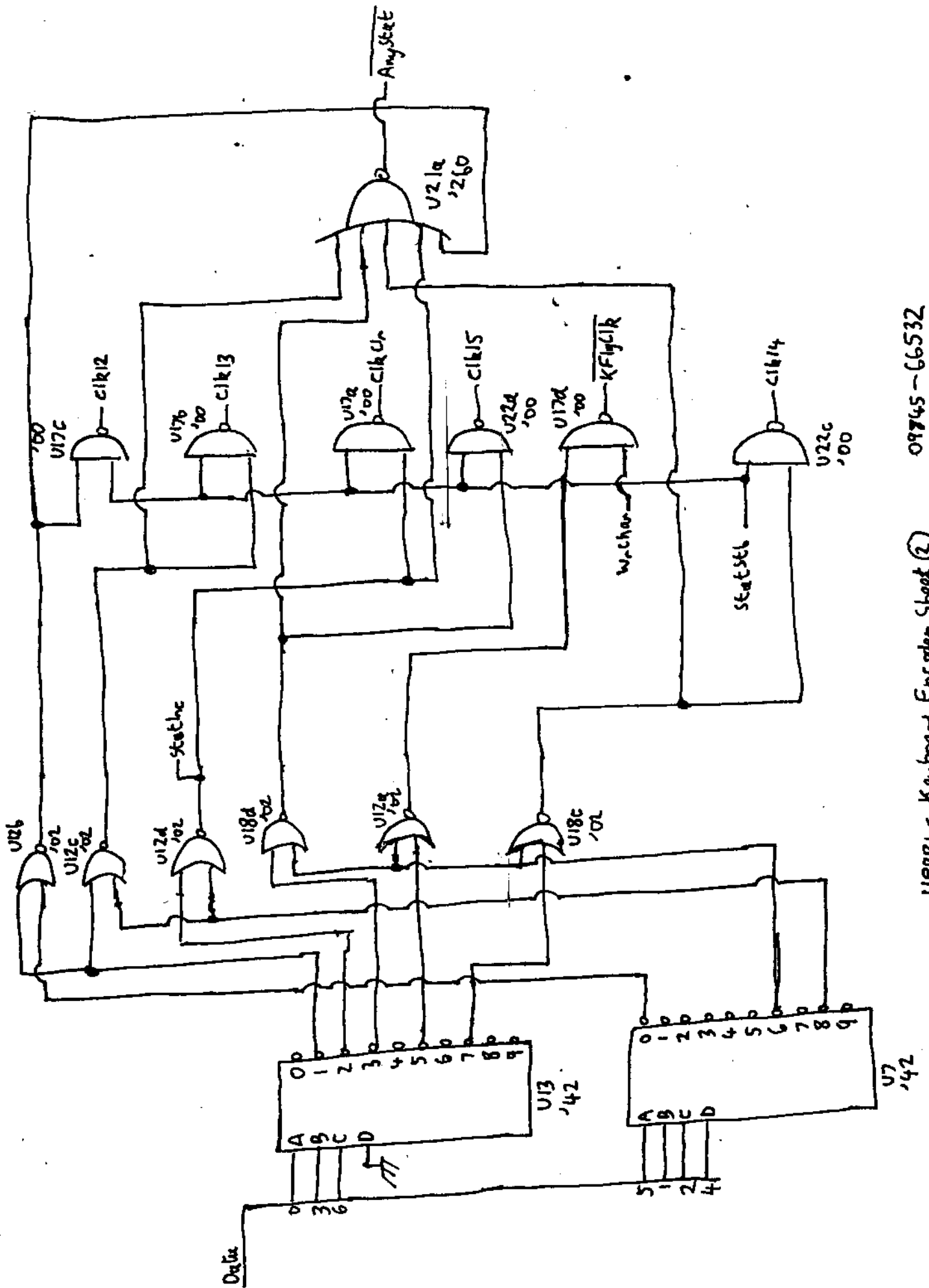
(Power)

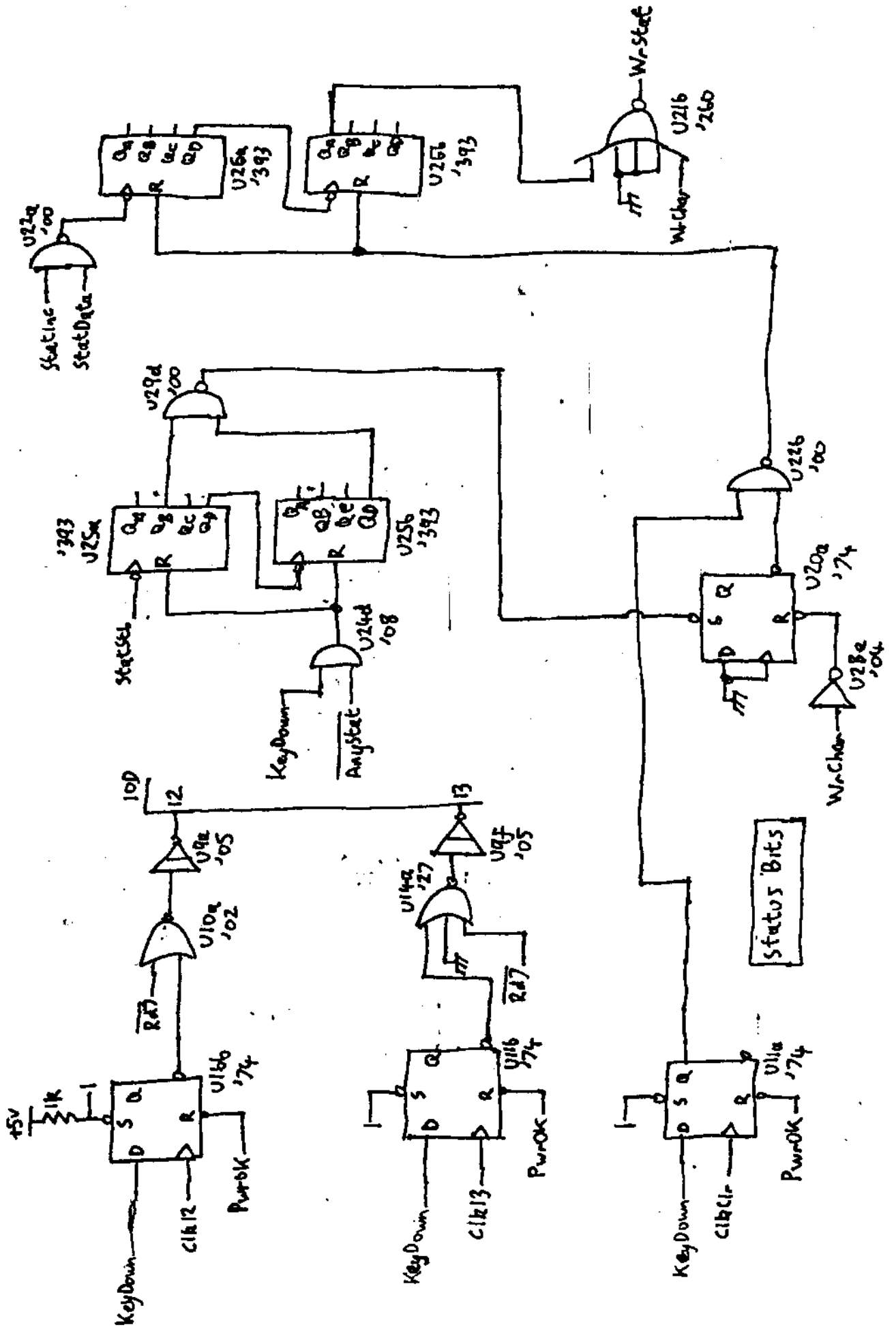
LMS
Top

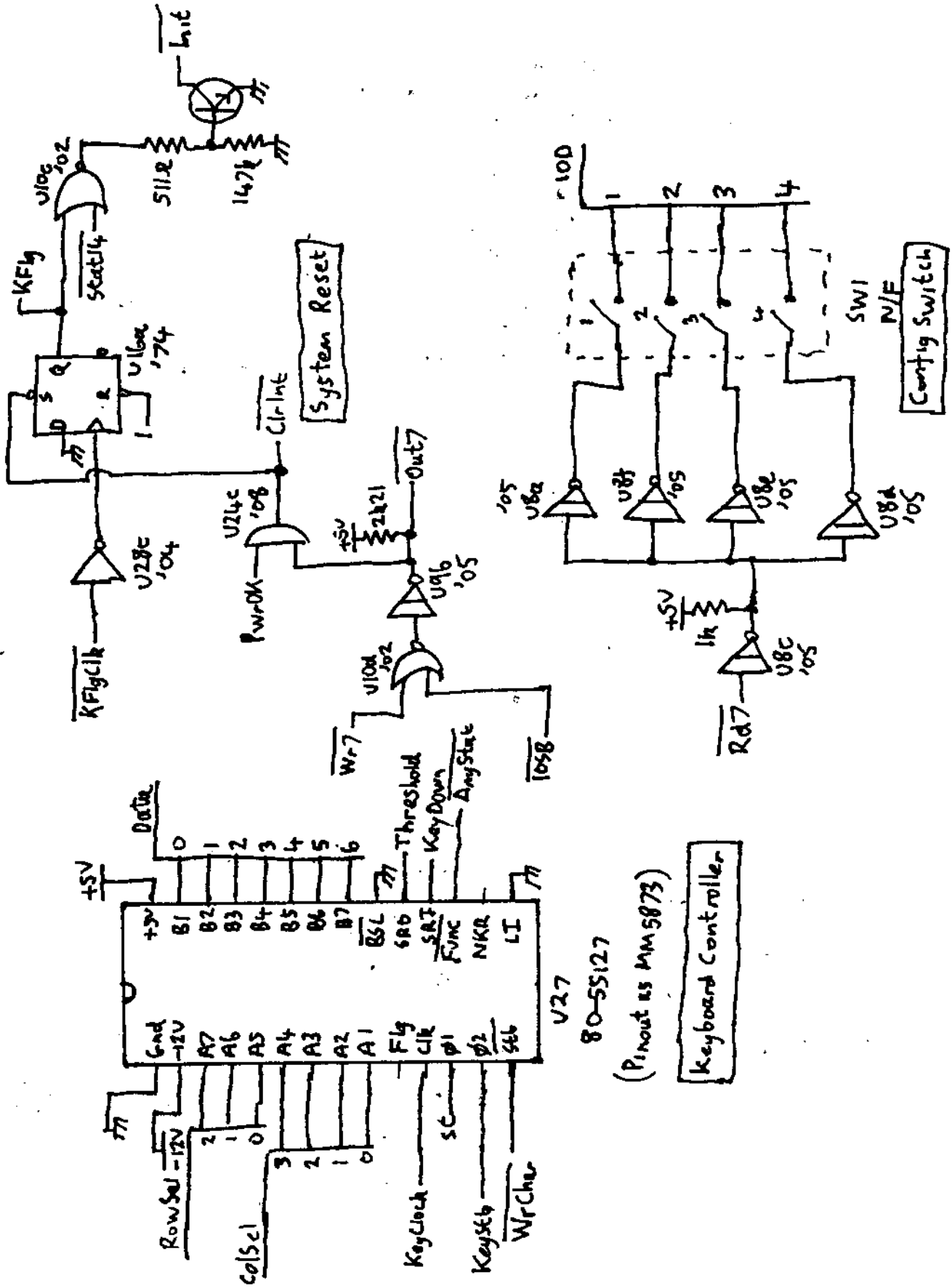


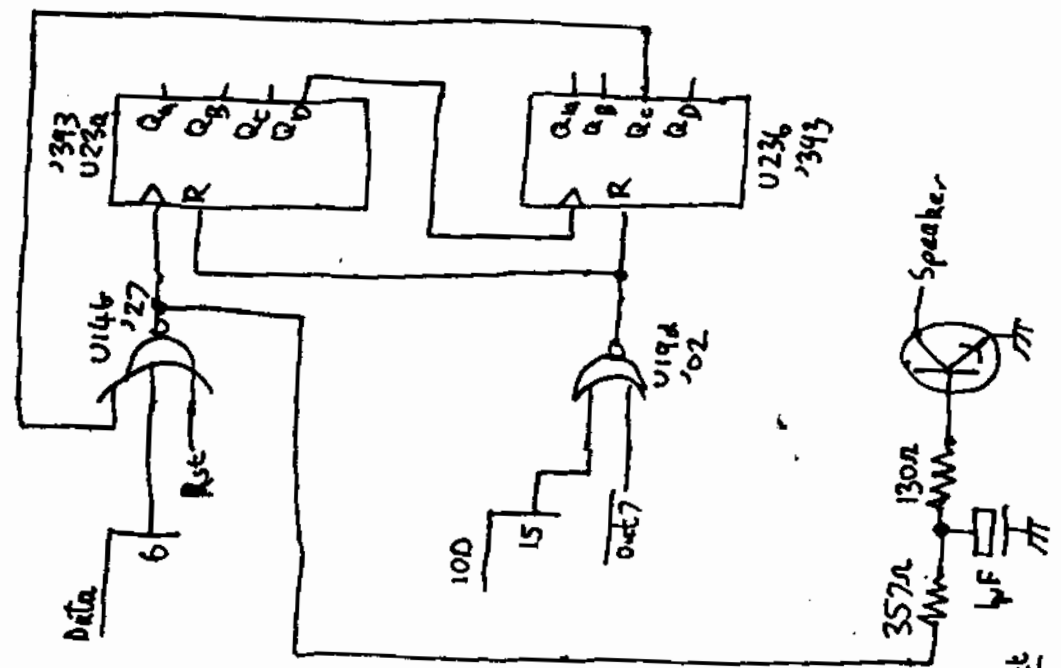
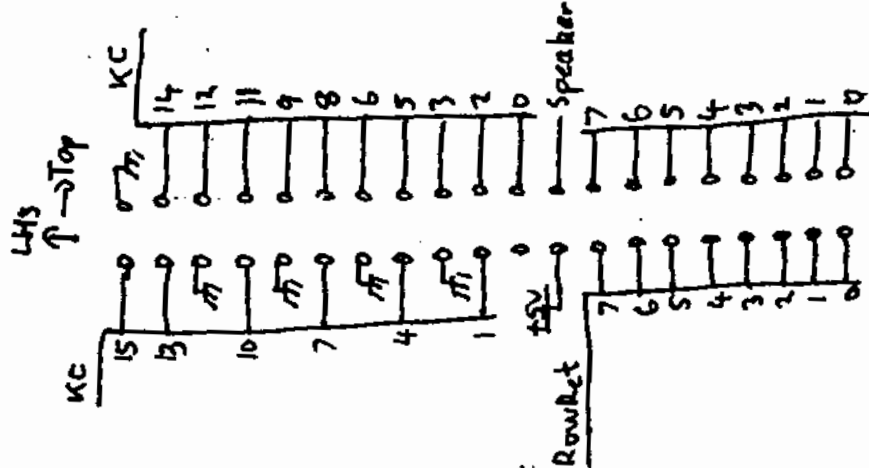
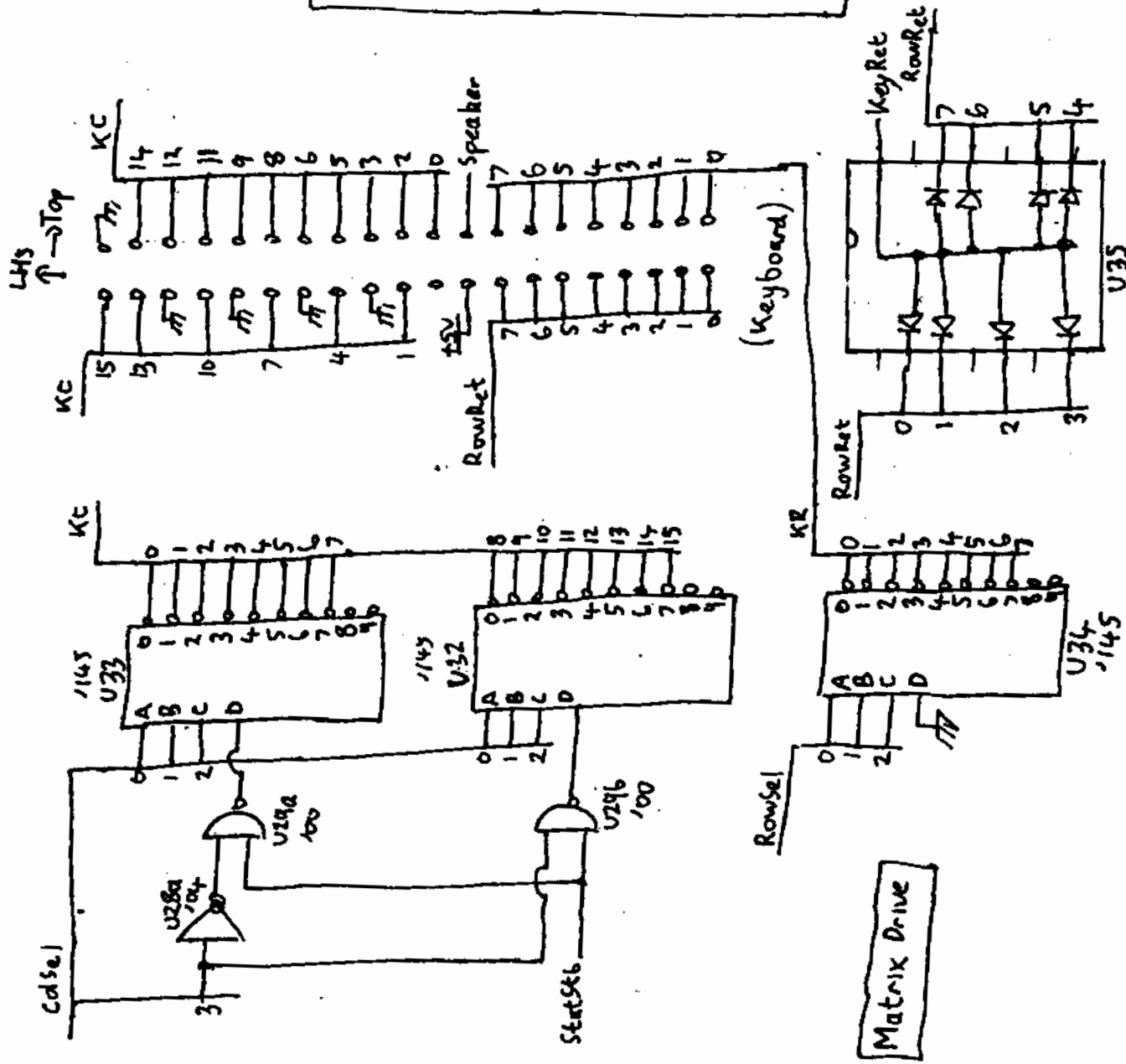
Data Register

Note: 8551 equivalent to 74173









HP9845 Keyboard Encoder sheet (6)

09845-66532

Clear	Clear End
-------	-----------

←	Home	→
---	------	---

Stop	Del Ln	Ins Ln	Prt All
------	--------	--------	---------

Rollf ↓	Rollf
---------	-------

Rollf Del chr	Ins chr	Auto SE
---------------	---------	---------

Tab Del	Typwr
---------	-------

k0	k1	k2	k3	k4	k5	k6	k7
----	----	----	----	----	----	----	----

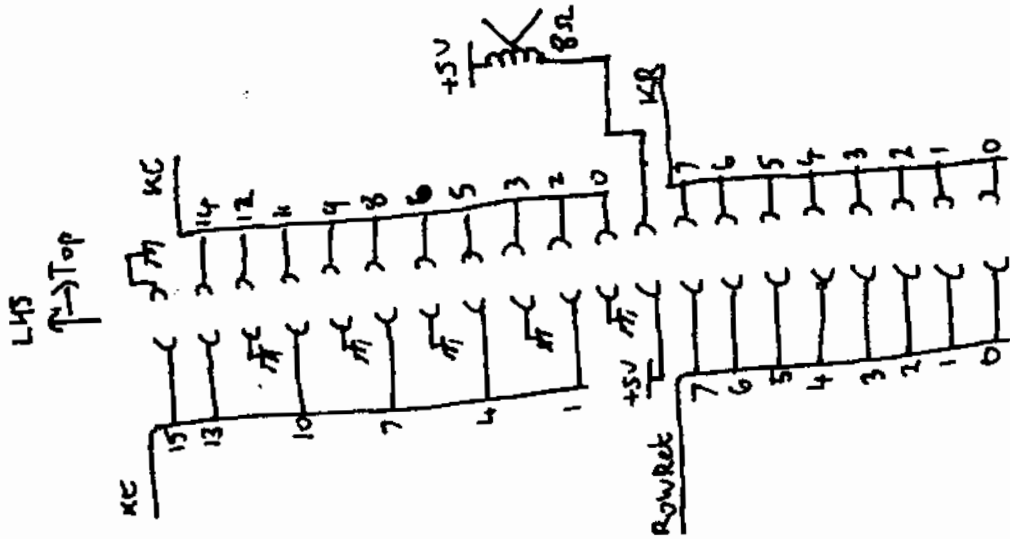
k8	k9	k10	k11	k12	k13	k14	k15
----	----	-----	-----	-----	-----	-----	-----

TAB	1	2	3	4	5	6	7	8	9	0	+	=	BACK SPACE
Control	Q	W	E	R	T	Y	U	I	O	P	[]	~
Shift a Lock	A	S	D	F	G	H	J	K	L	;	'	store	
Shift	Z	X	C	V	B	N	M	<	>	,	.	Shift Repede	
Space Bar													

Stop	Clear Line	E	()	^
Run	Result	7	8	9	/
PAUSE	=	4	5	6	*
CONT	EXECUTE	1	2	3	-
			.	,	+

a: latching switch
b: 3 state switch

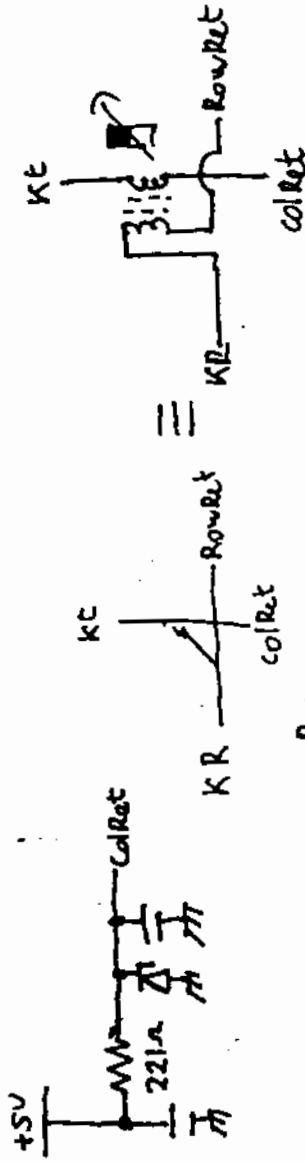
HP9845B Keypads



(Encoder PCB)

Notes:

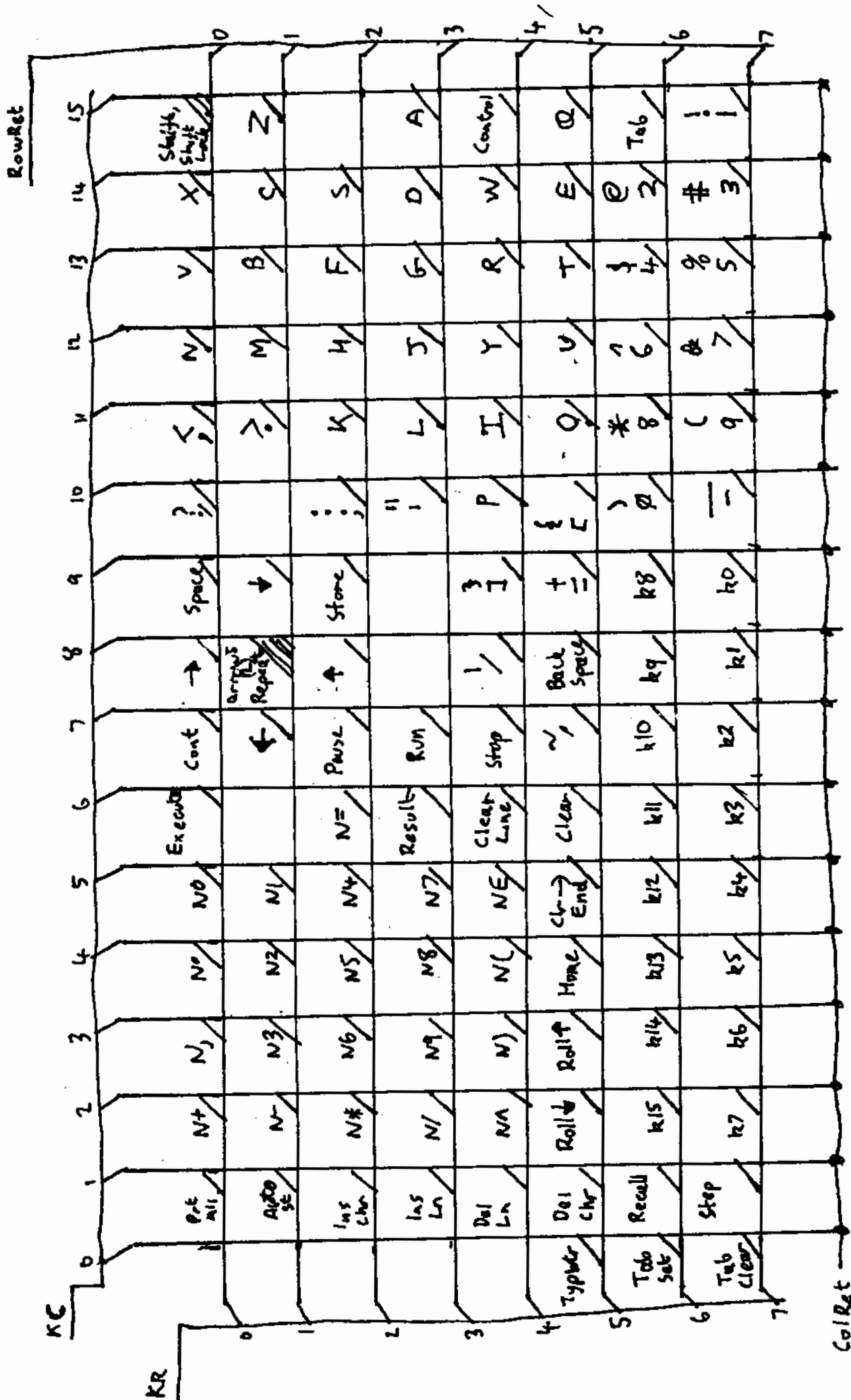
- 1) Matrix Diagram does not show electrical order of drive / sense loops
- 2) Shift lock and both shifts wired in series at (15,0)
- 3) Lower loop of all arrows and repeat wired in series at (8,1)
- 4) 120 keytops, 118 Matrix locations used

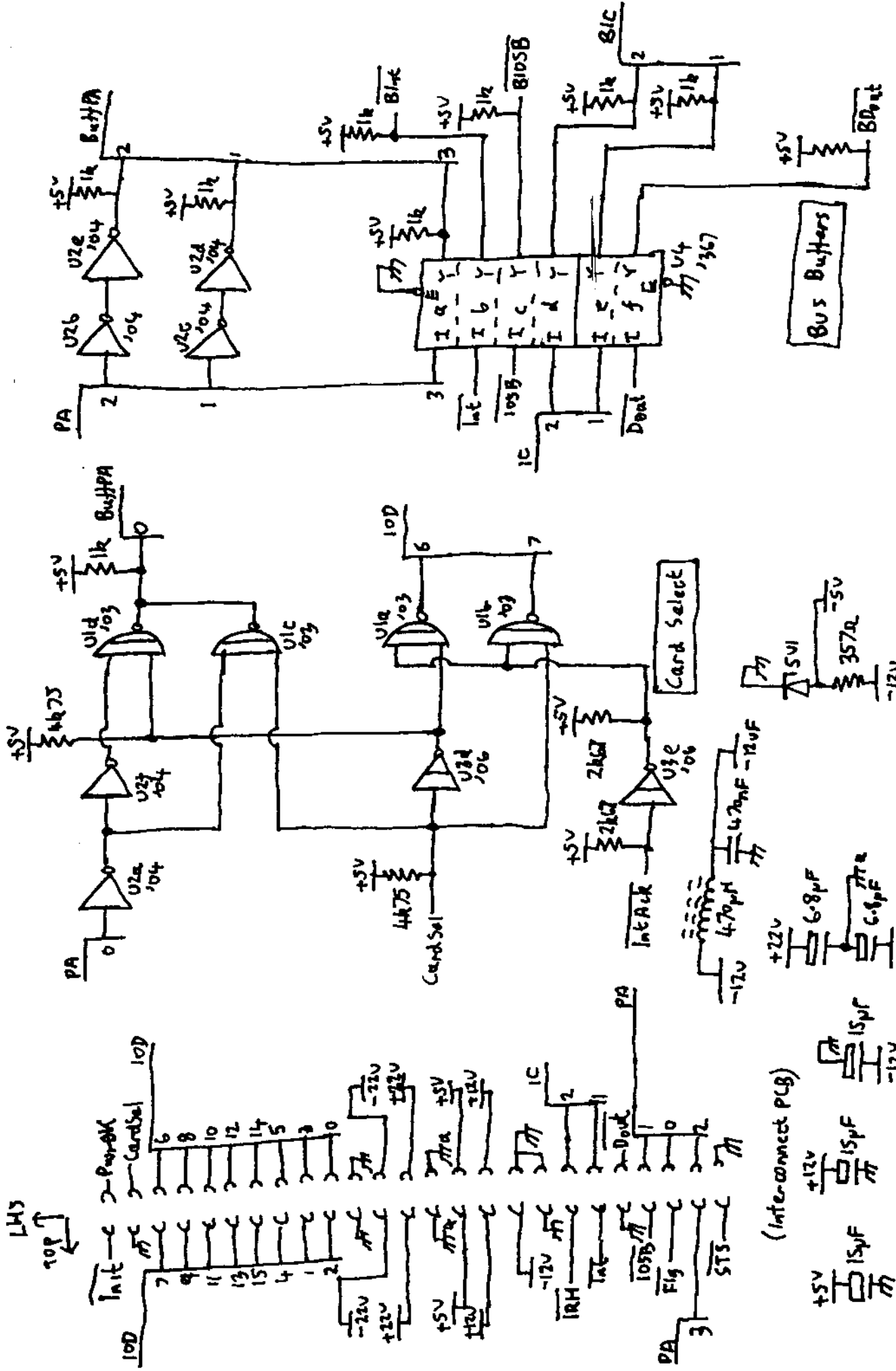


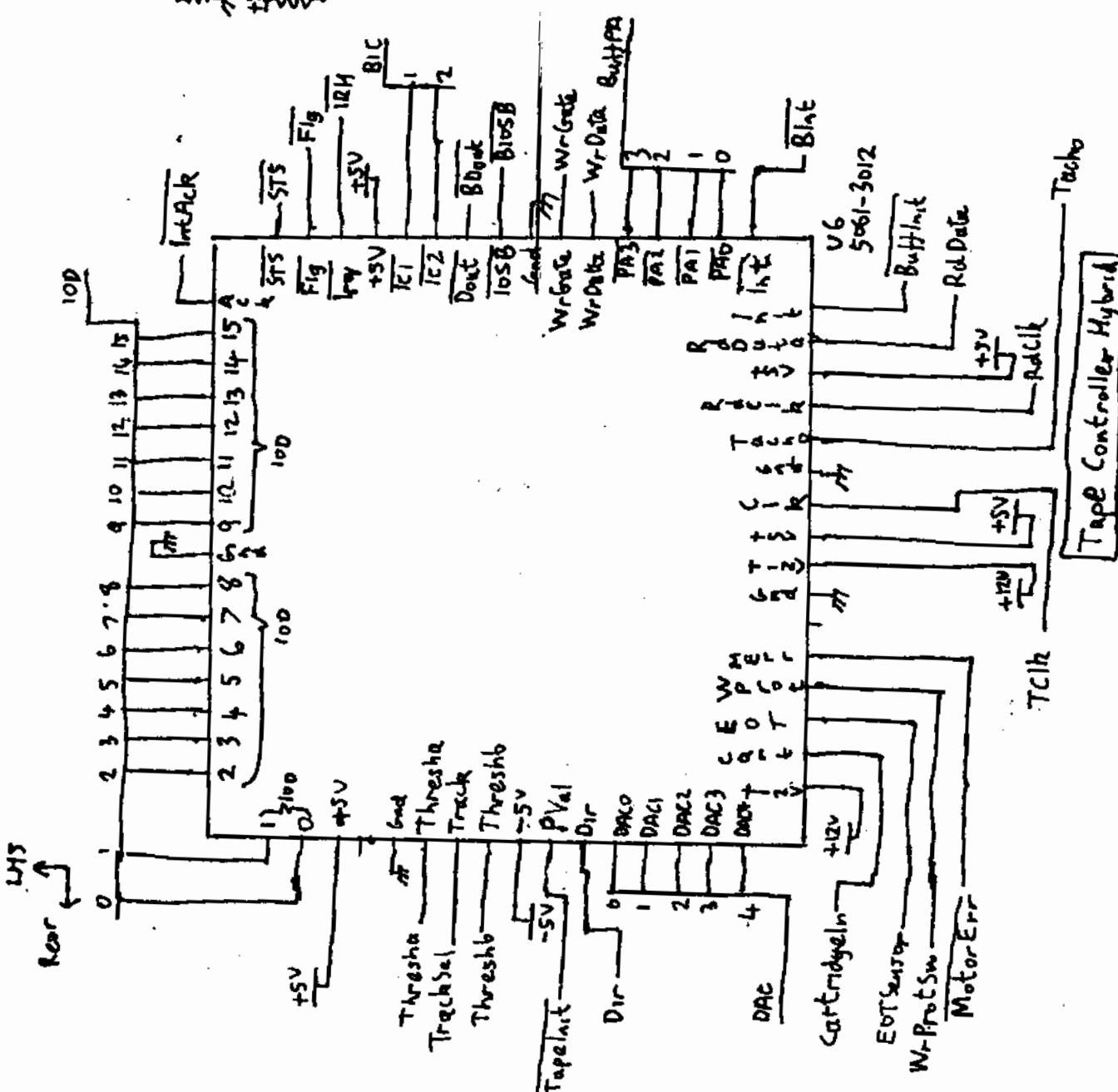
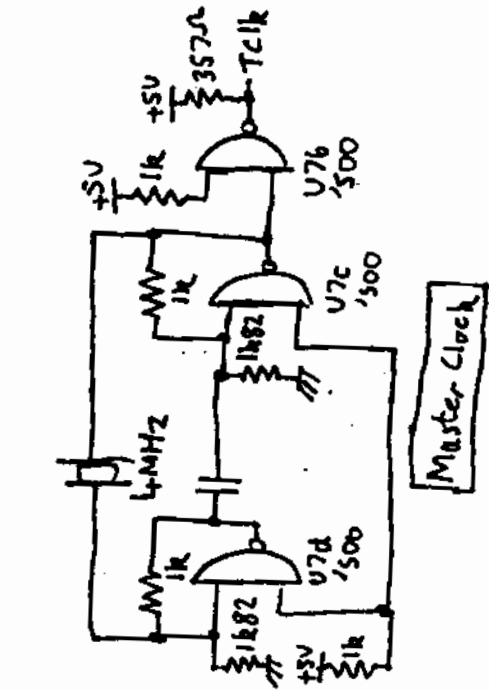
- Rear ↑
- LH
- KC(6) → 0
 - KR(5) → 0
 - KC(8) → 0
 - KC(5) → 0
 - KC(7) → 0
 - KC(4) → 0
 - KC(9) → 0
 - KC(3) → 0
 - KR(0) → 0
 - KR(0) → 0
 - KR(1) → 0
 - KC(2) → 0
- RB ↓
- 0 → KC(5)
 - 0 → KC(6)
 - 0 → KC(7)
 - 0 → KC(8)
 - 0 → KR(1)
 - 0 → KR(2)
 - 0 → KR(2)
 - 0 → KC(4)
 - 0 → KC(9)
 - 0 → KC(3)
 - 0 → KC(2)
 - 0 → KR(5)

Solder Pins to Daughter-board

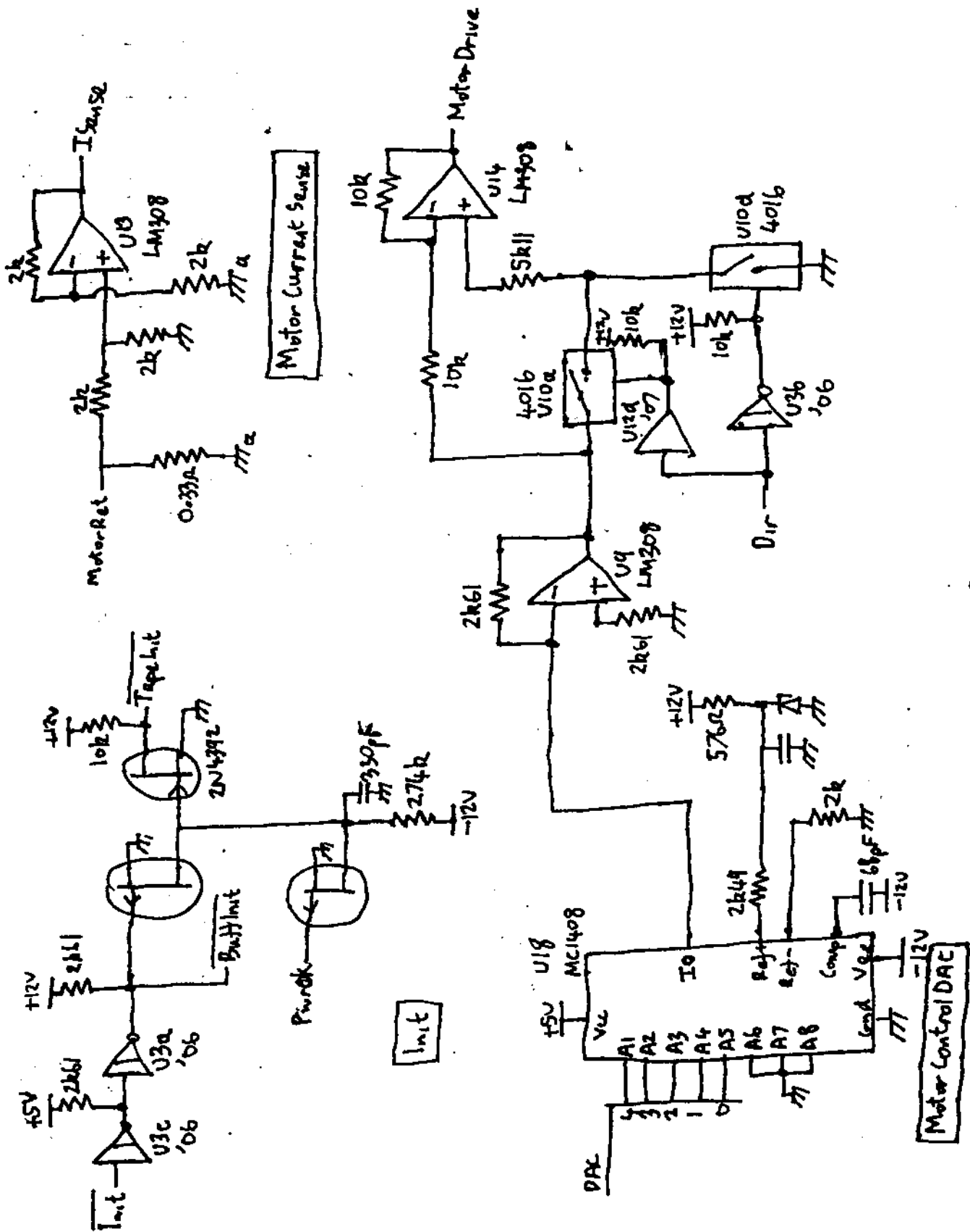
09845-6631



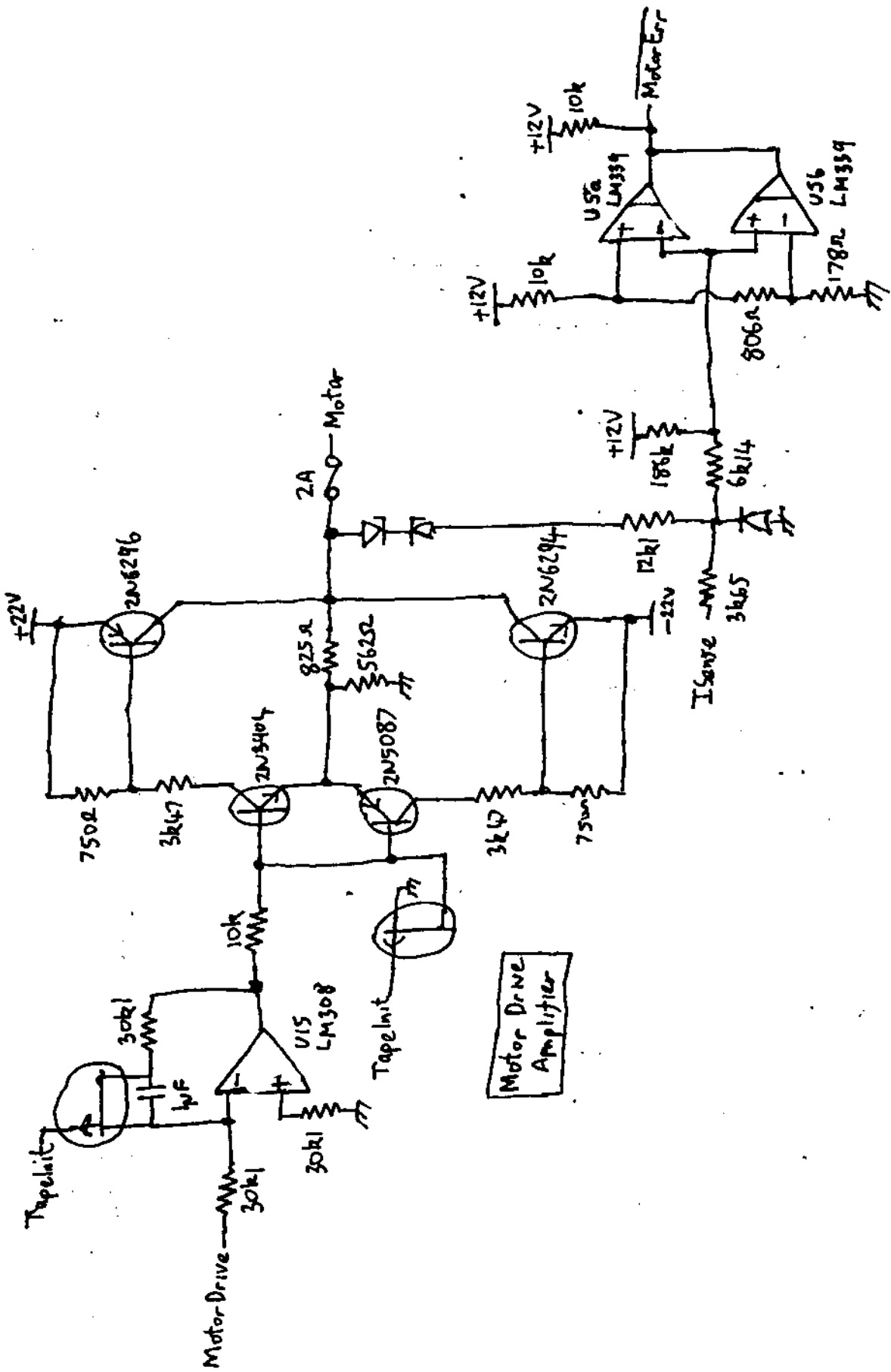




HP9845 Tape Controller sheet 2 09845-66561



HP9845 Tape Controller Sheet (3) 09845-66561



HP9845 Tape Controller sheet 4 09845-66561

