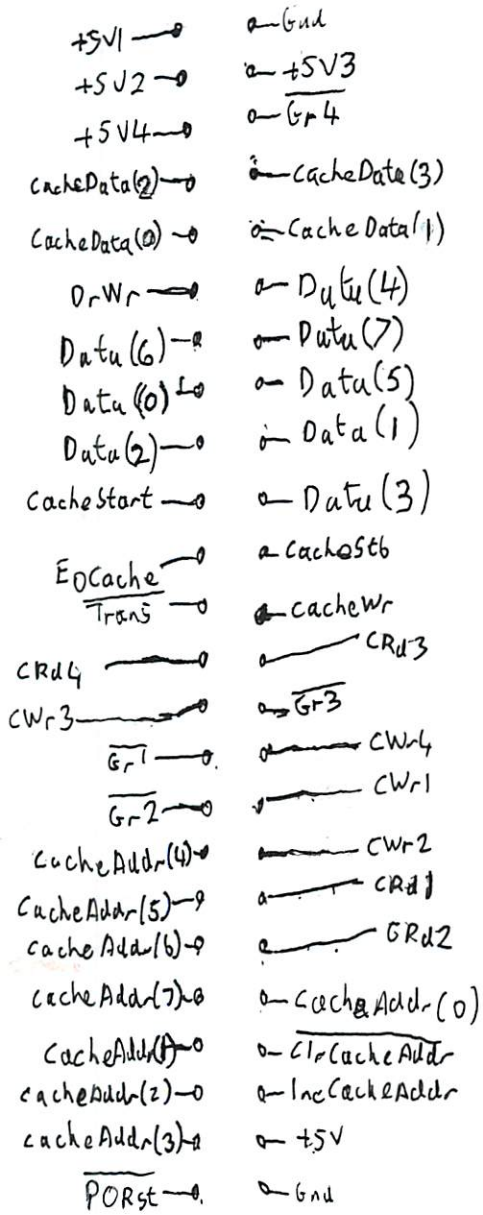


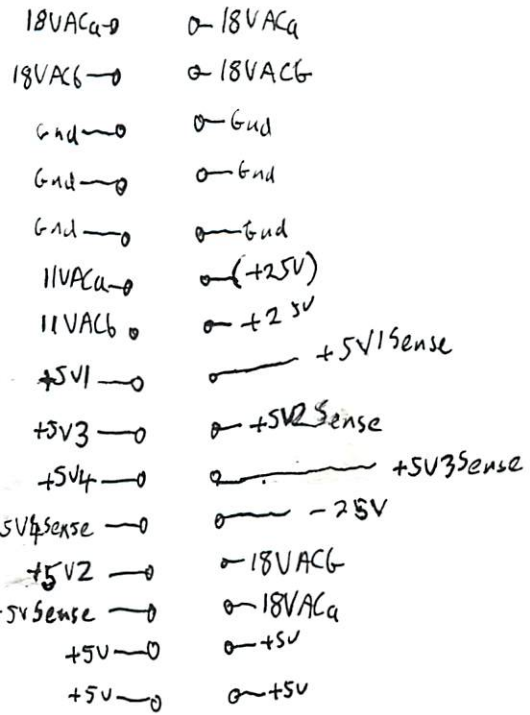
HP11305 Backplane

LN5
 ↳ Rear



11305-66501

Memory Control



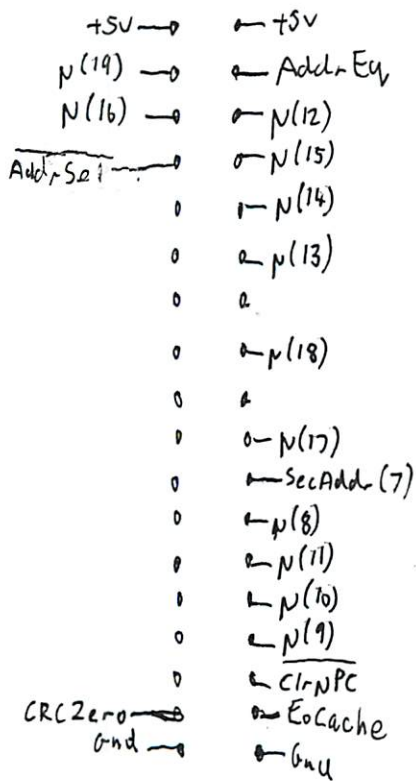
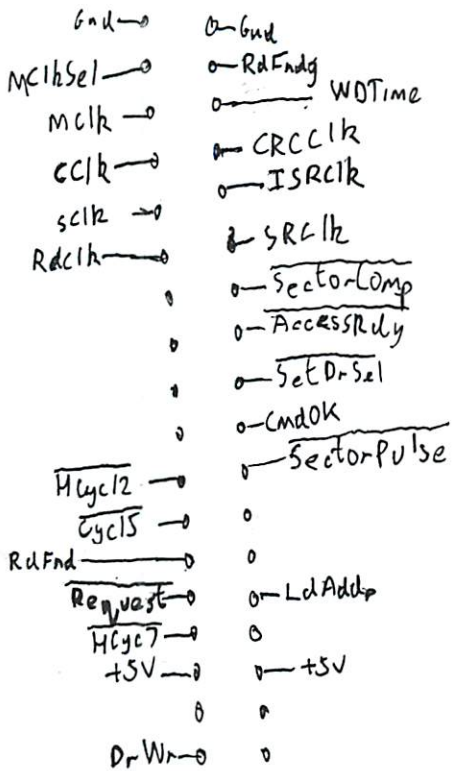
11305-66502

PSU

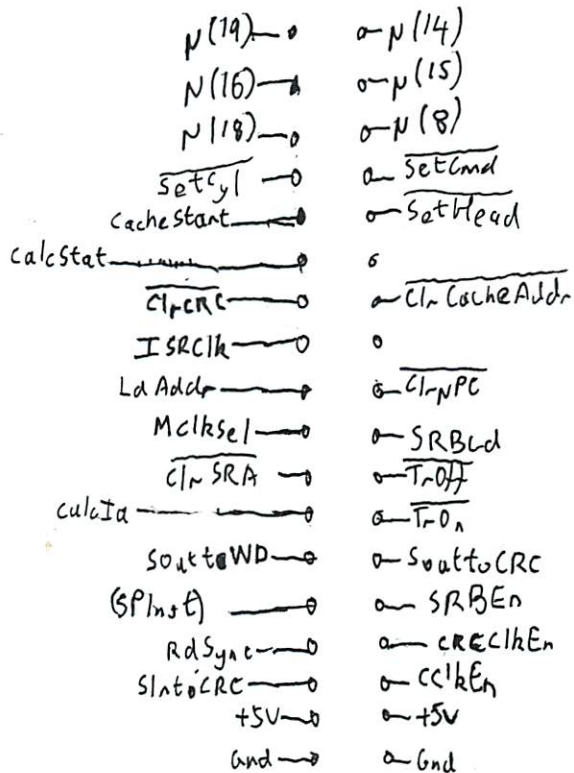
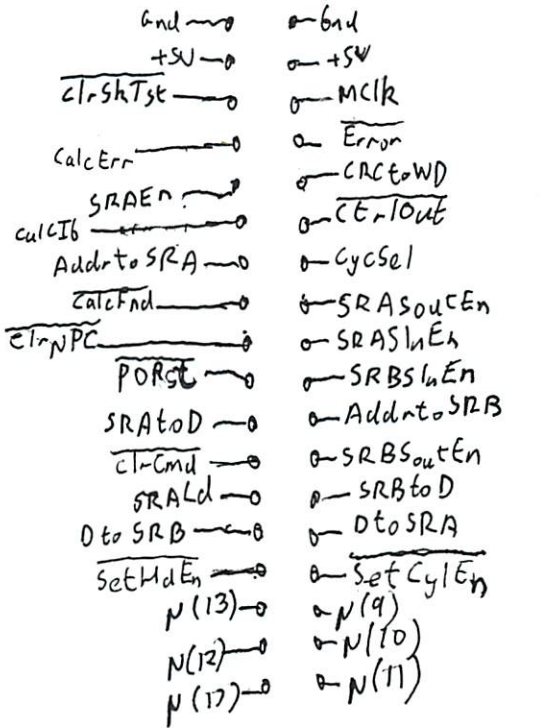
Component side: Front

MP11305 Backplane

LMS
↑
→ Rear



11305-66503
ROM

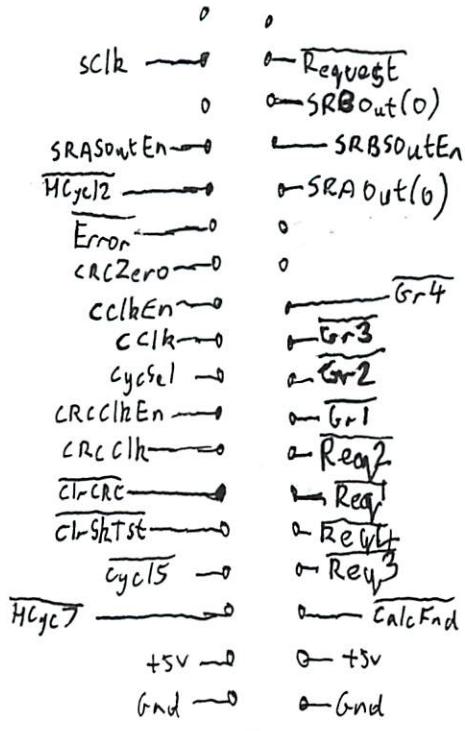
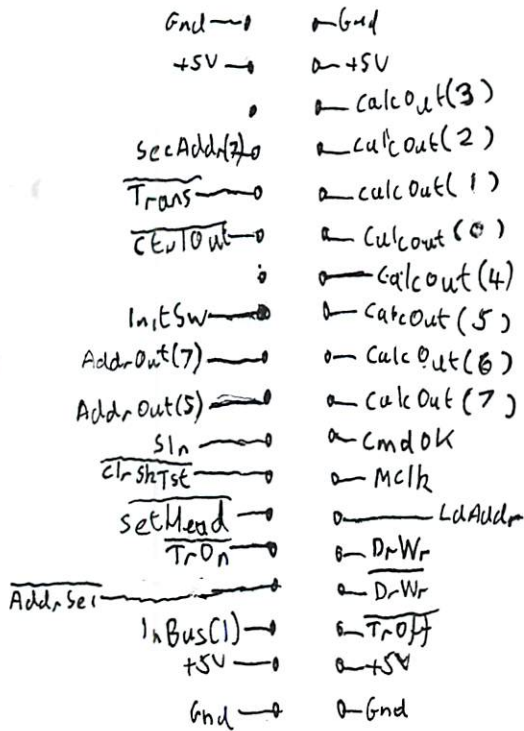
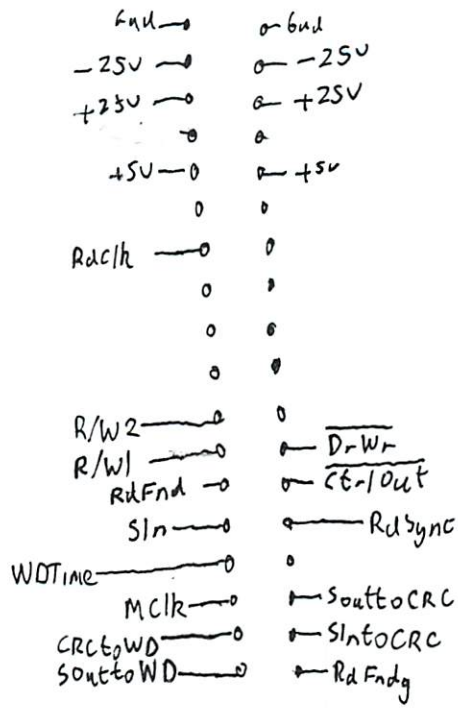
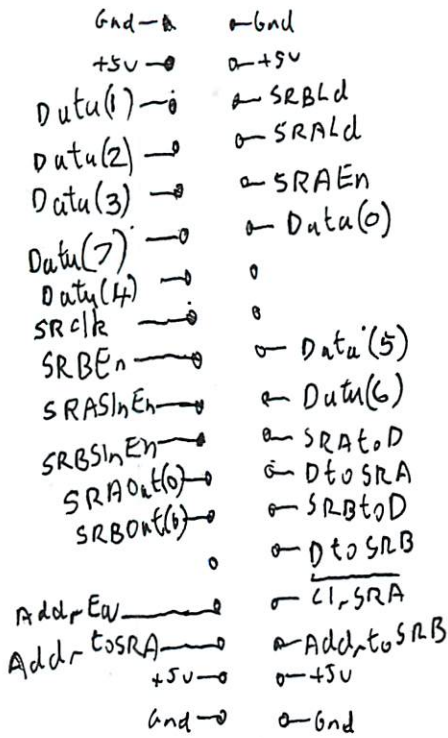


11305-66504
Instruction

Component side: Rear

HP11305 Backplane

L45
↑ → Rear



11303-66565
Data Transfer

11305-66506
Address Control

Component Side: Rear

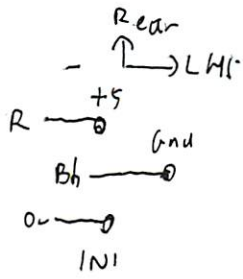
HP11305 Cable Backplane (11305-66507)



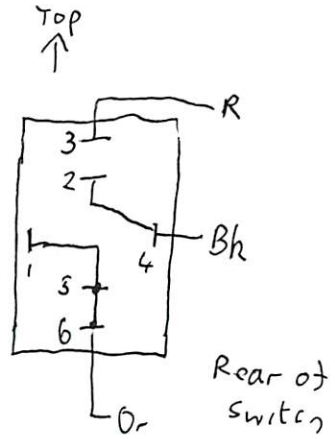
(To Backplane)

* Slot 4 Only

HP11305 Chassis Wiring

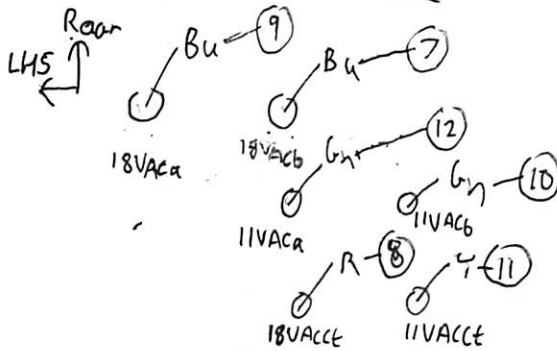


Underside of Backplane



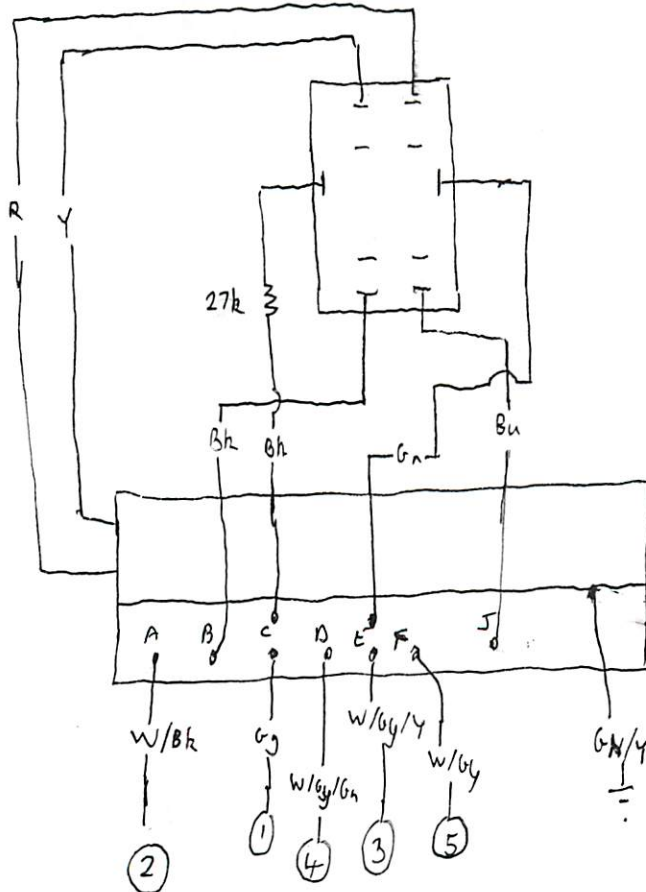
Rear of switch

Initialization Switch

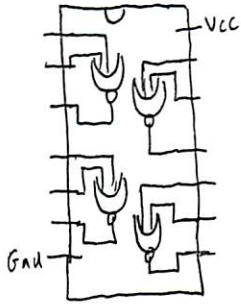


Top of chassis

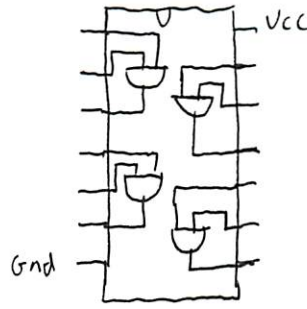
Transformer secondary



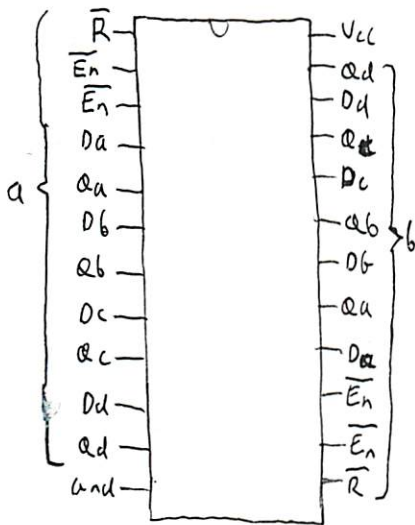
Mains Input Module



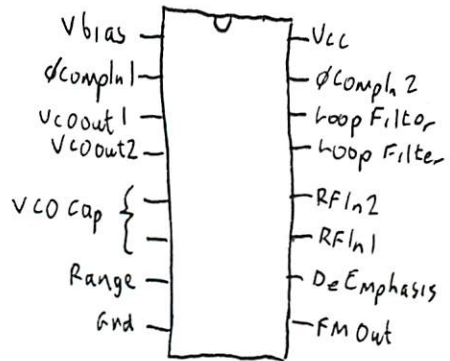
8885
Quad 2-Input
NOR Gate



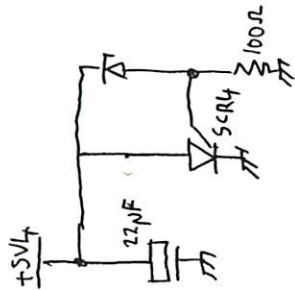
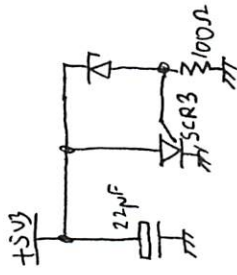
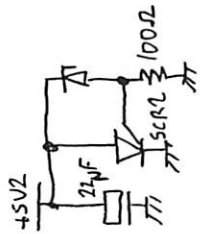
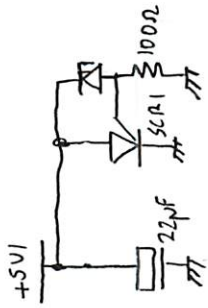
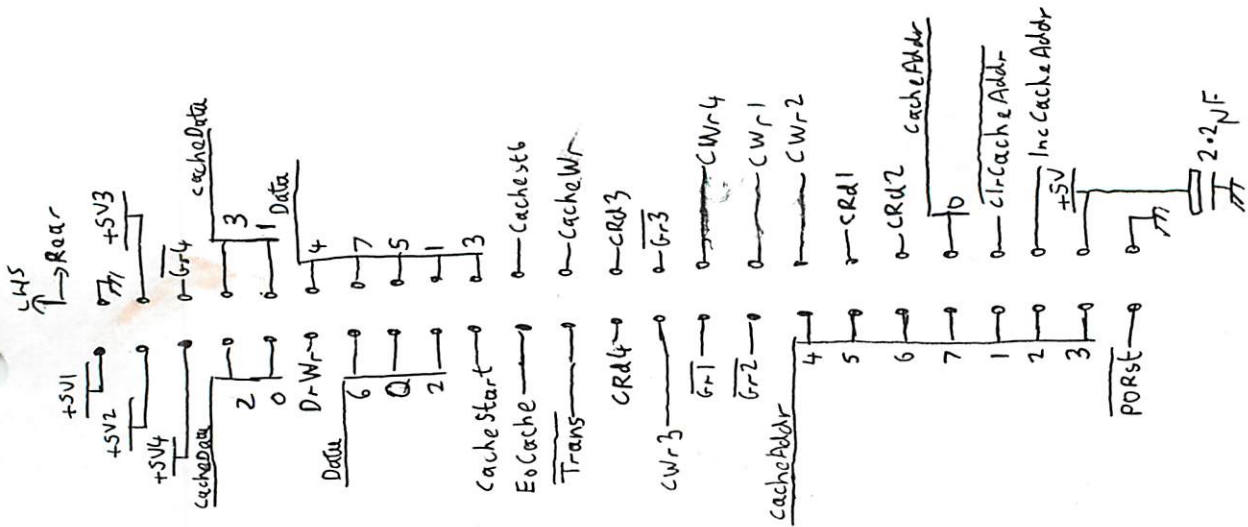
3001
Quad 2-Input
AND Gate (85'08)



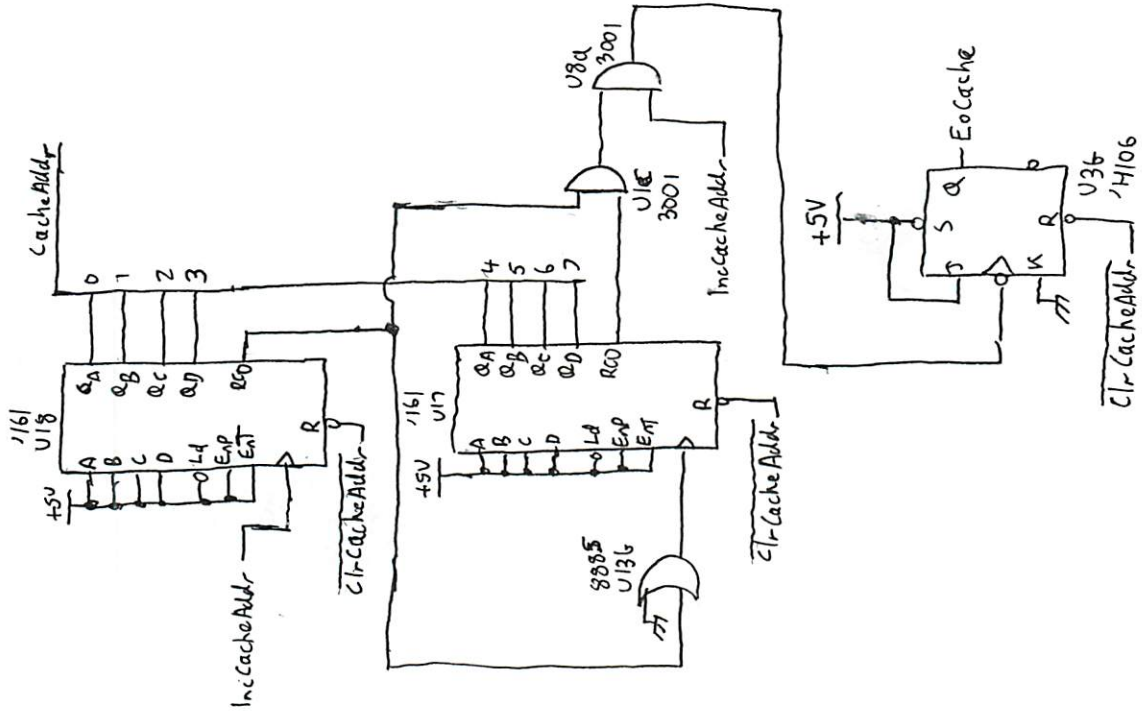
9308
Dual 4-bit
Latch (85'11b)



NES62
Phase-Locked
Loop

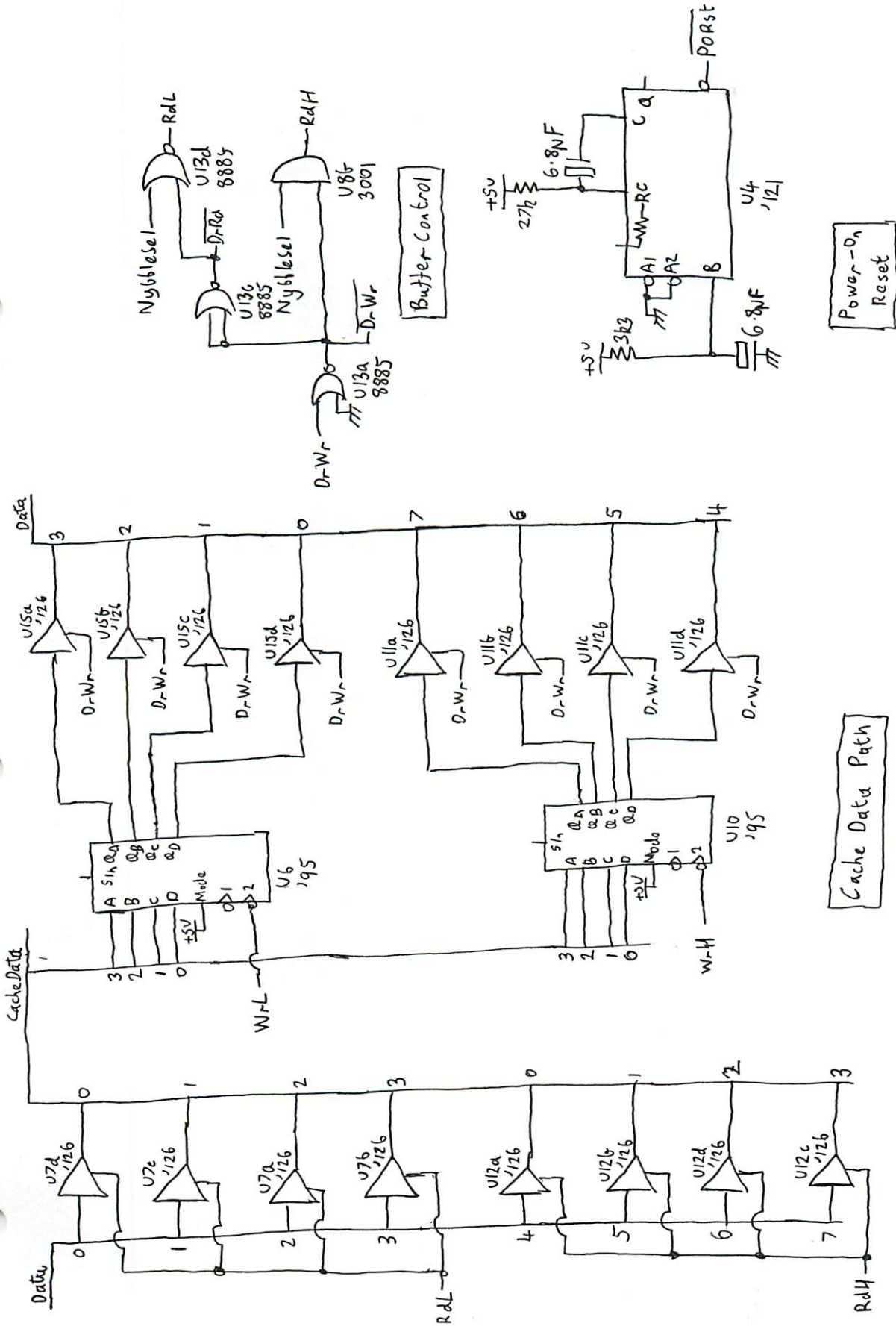


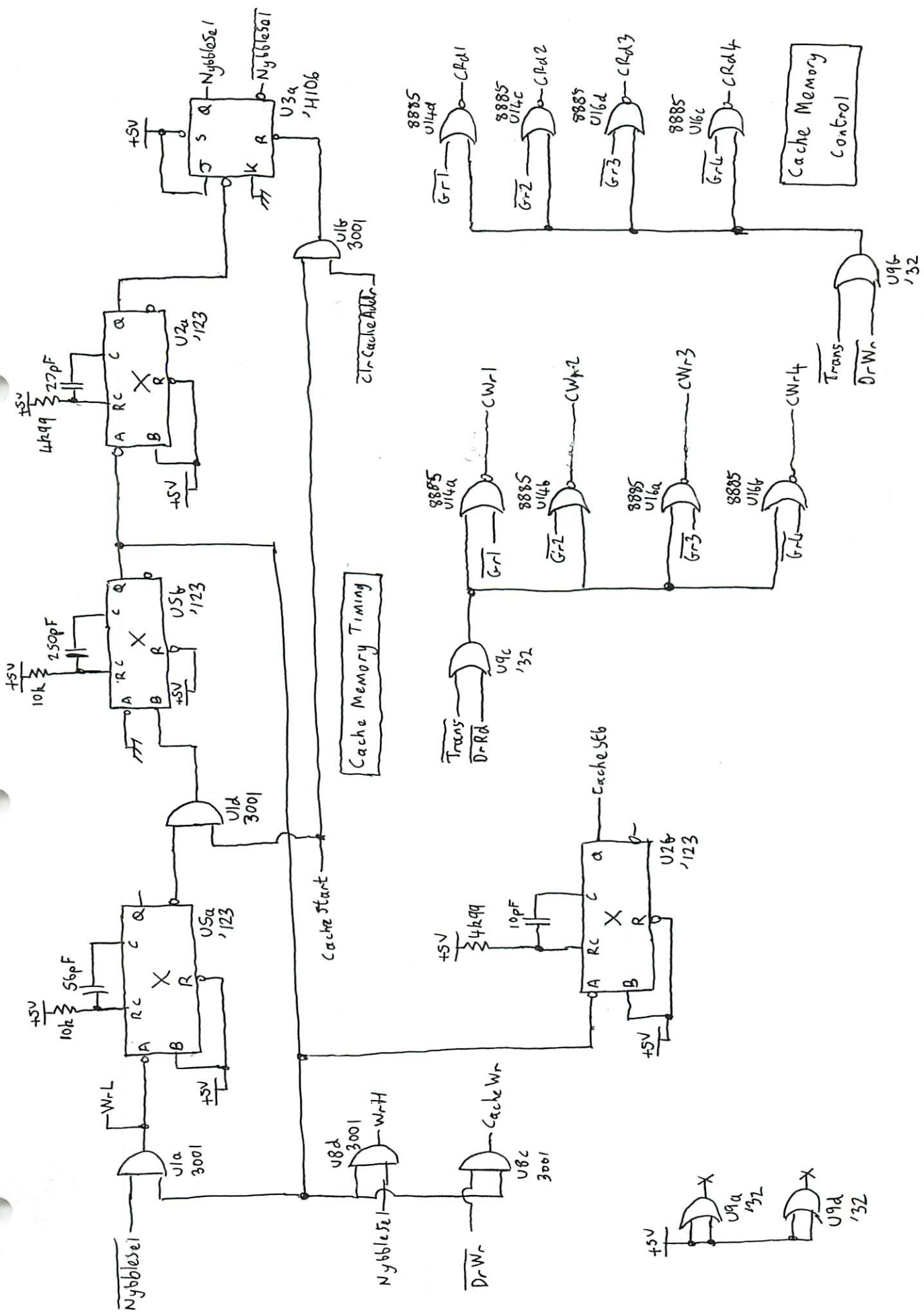
Crowbars

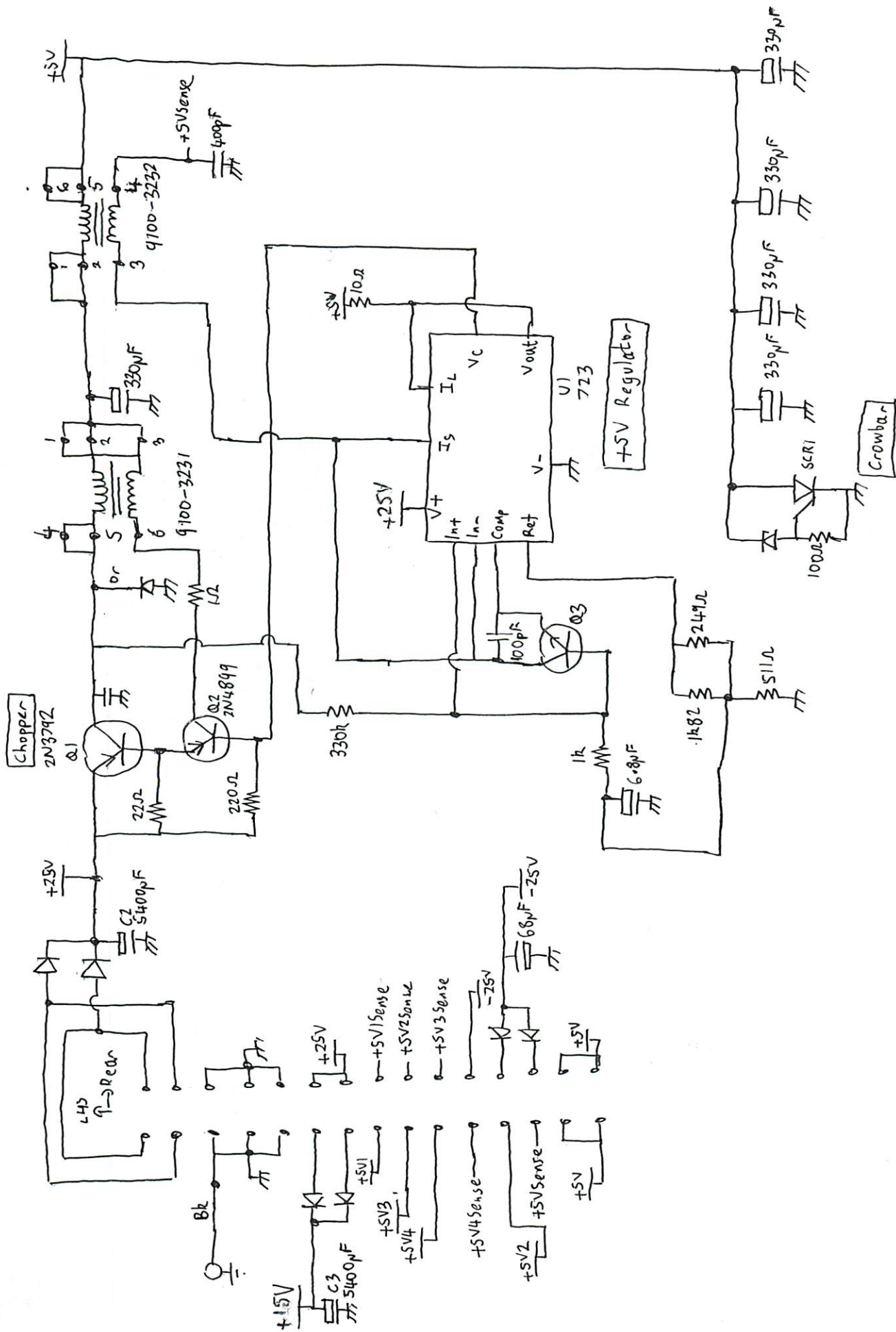


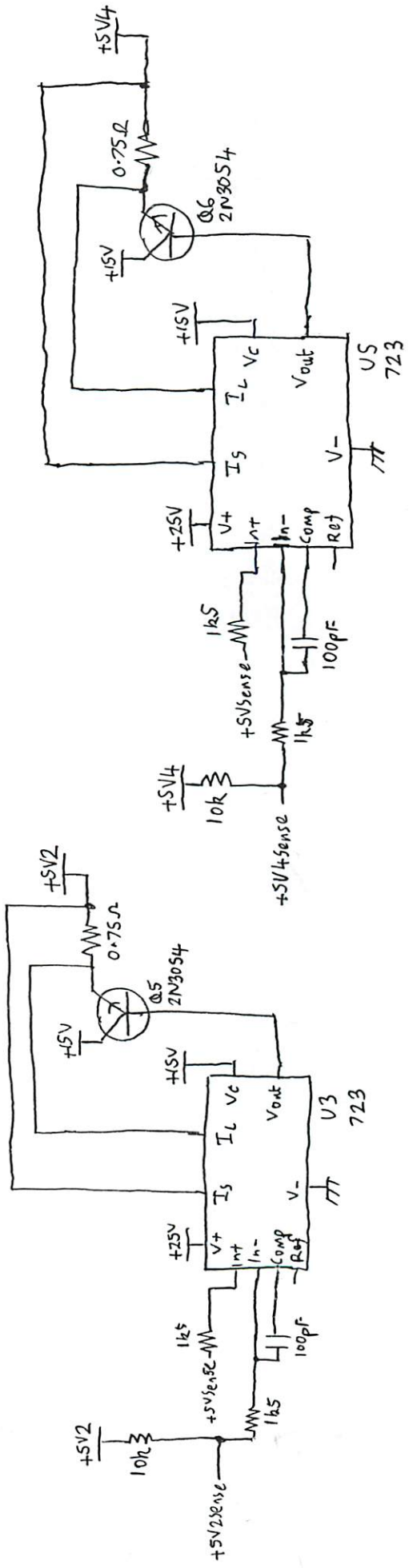
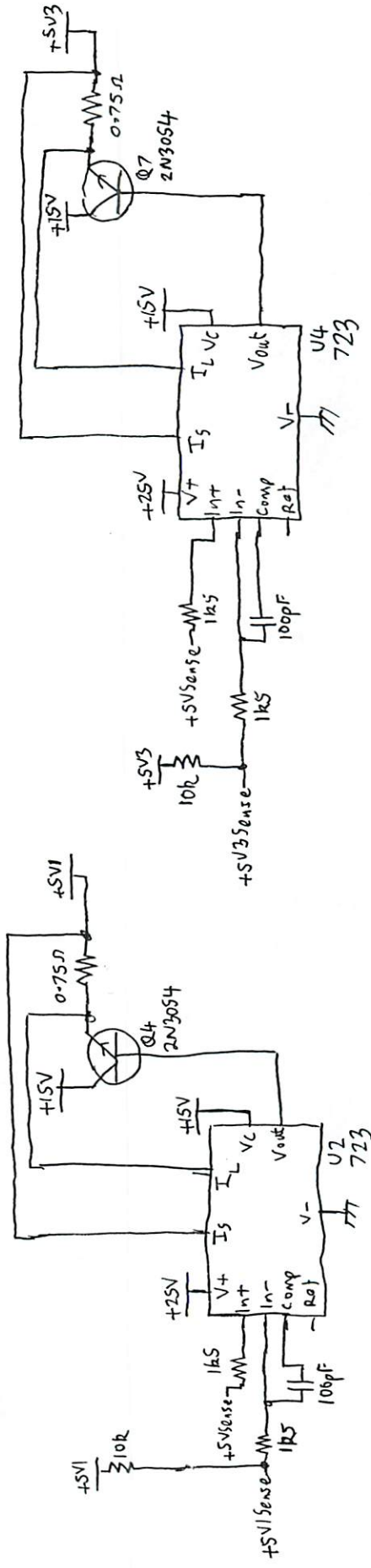
Cache Address Counter

HP11305 - 66501 (Br)

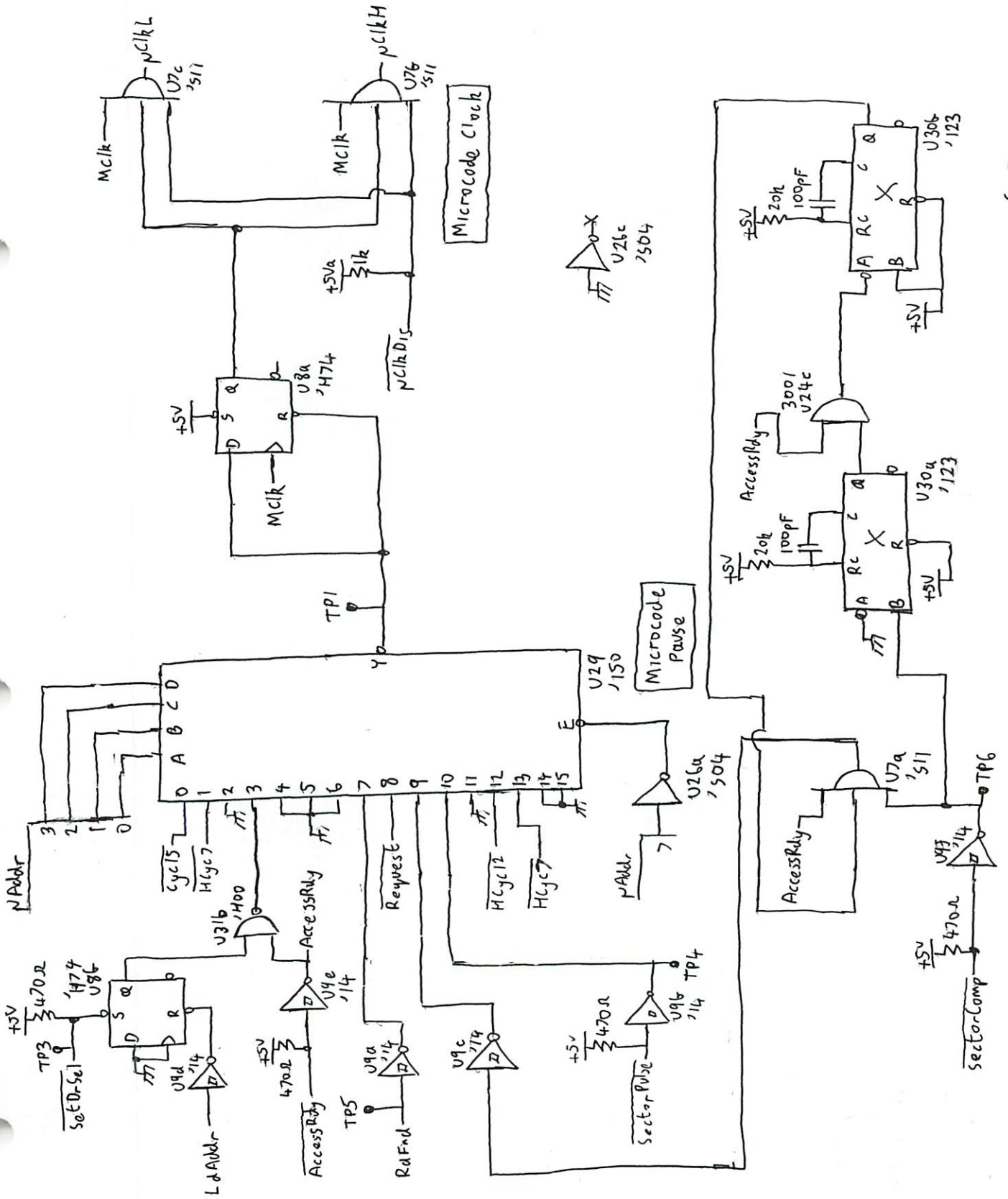


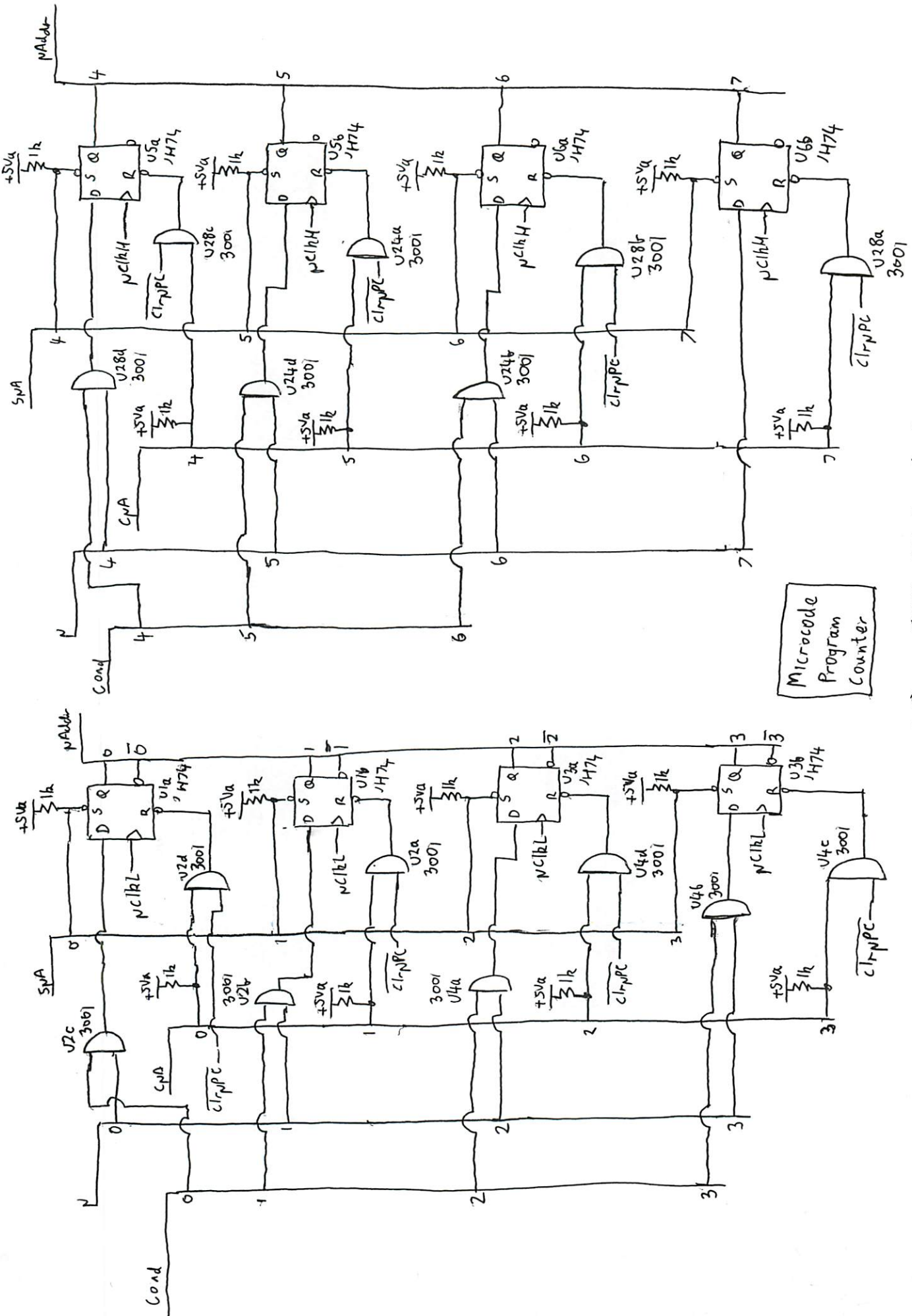


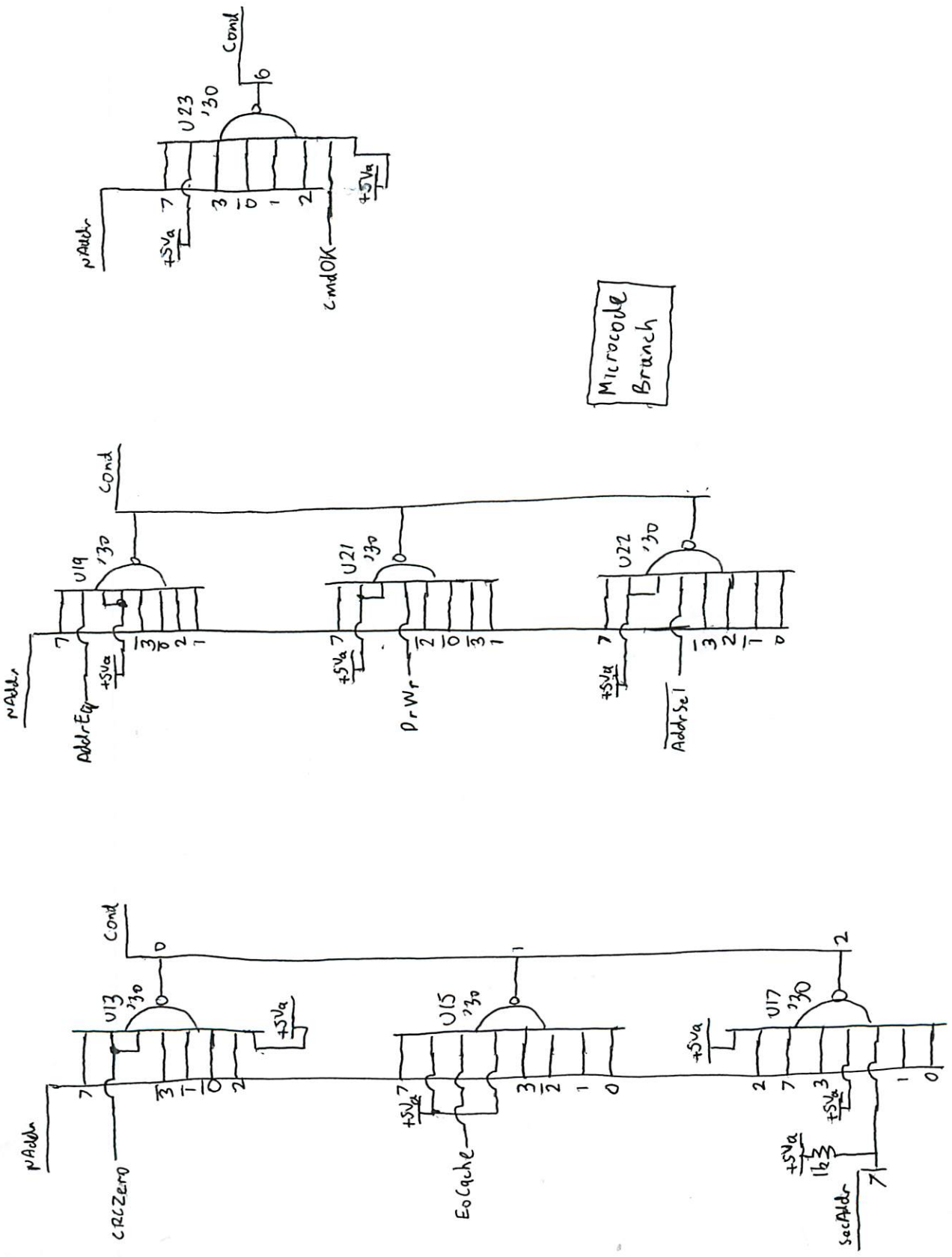




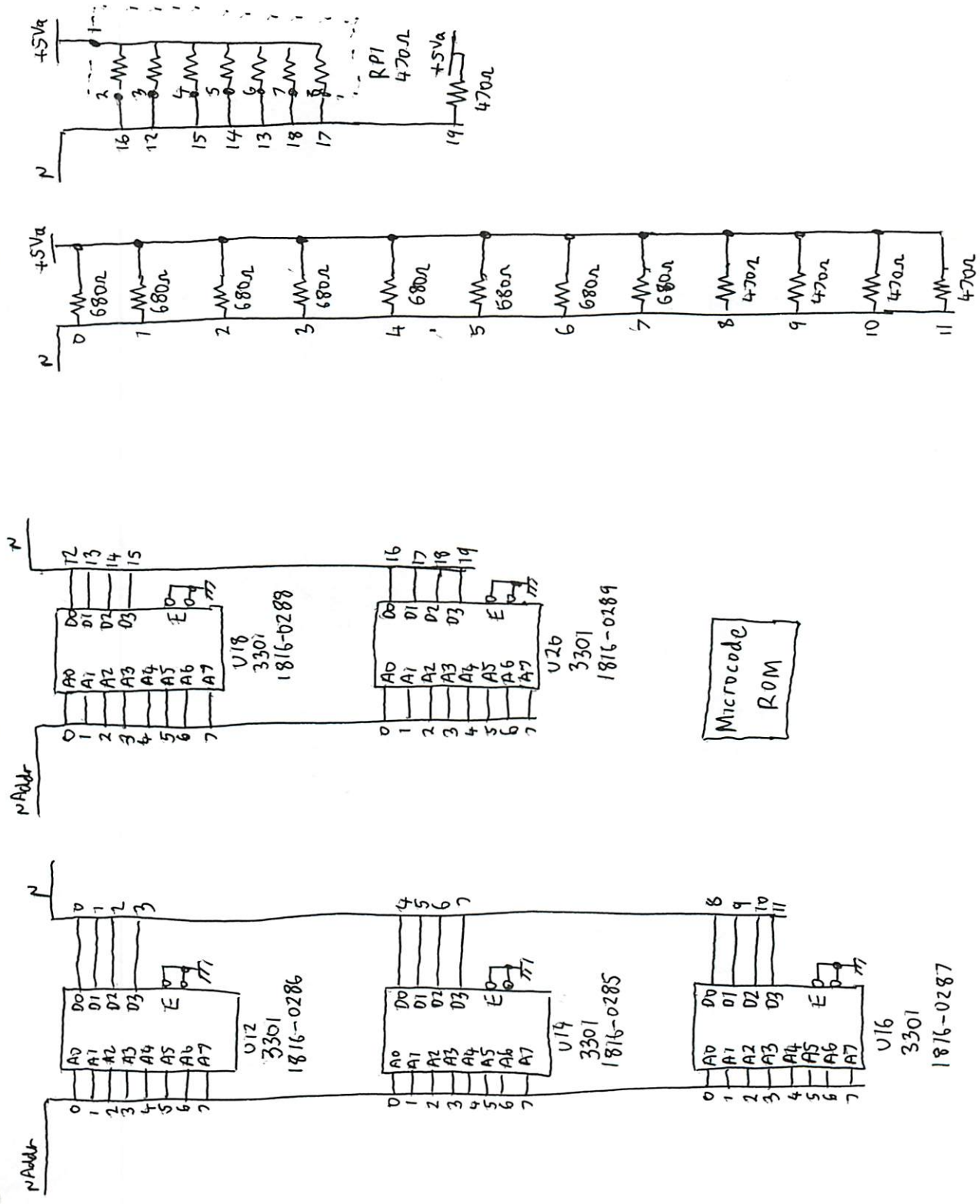
Calculator Cable Supplies







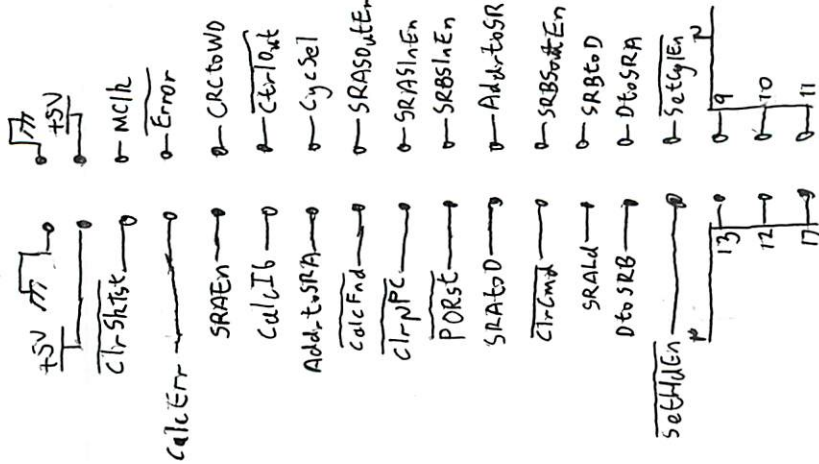
Microcode Branch



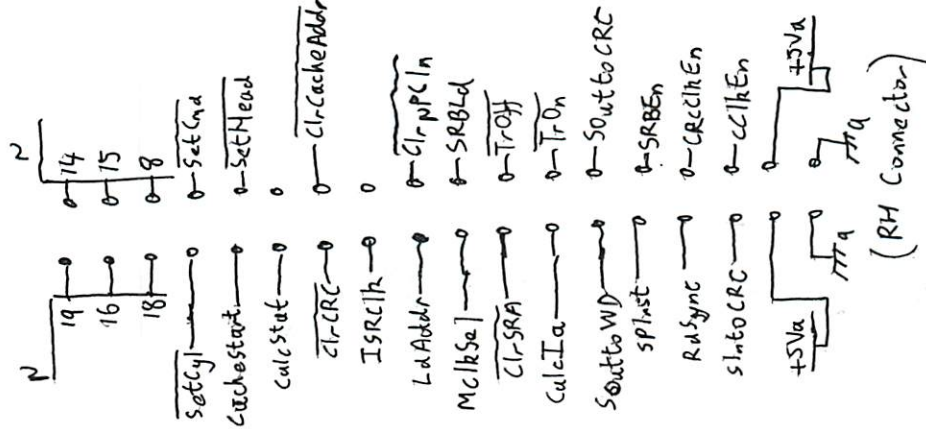
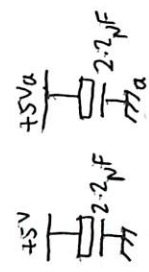
11305-66503 (0r)

HP11305 ROM PCB sheet 6

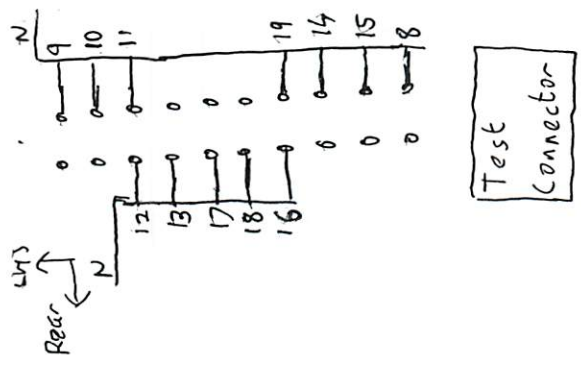
LHS Rear



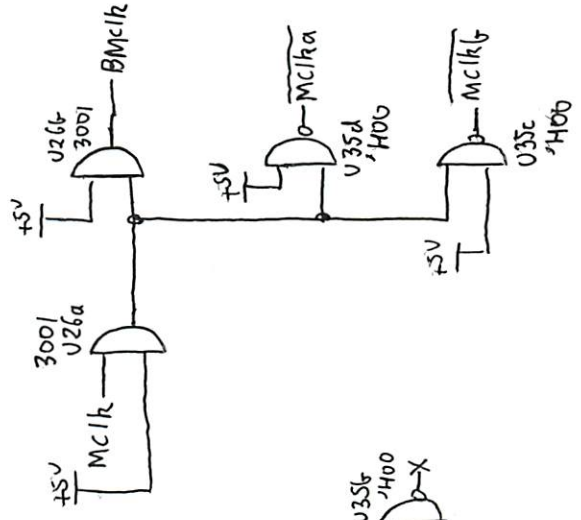
(LH Connector)



(RH Connector)

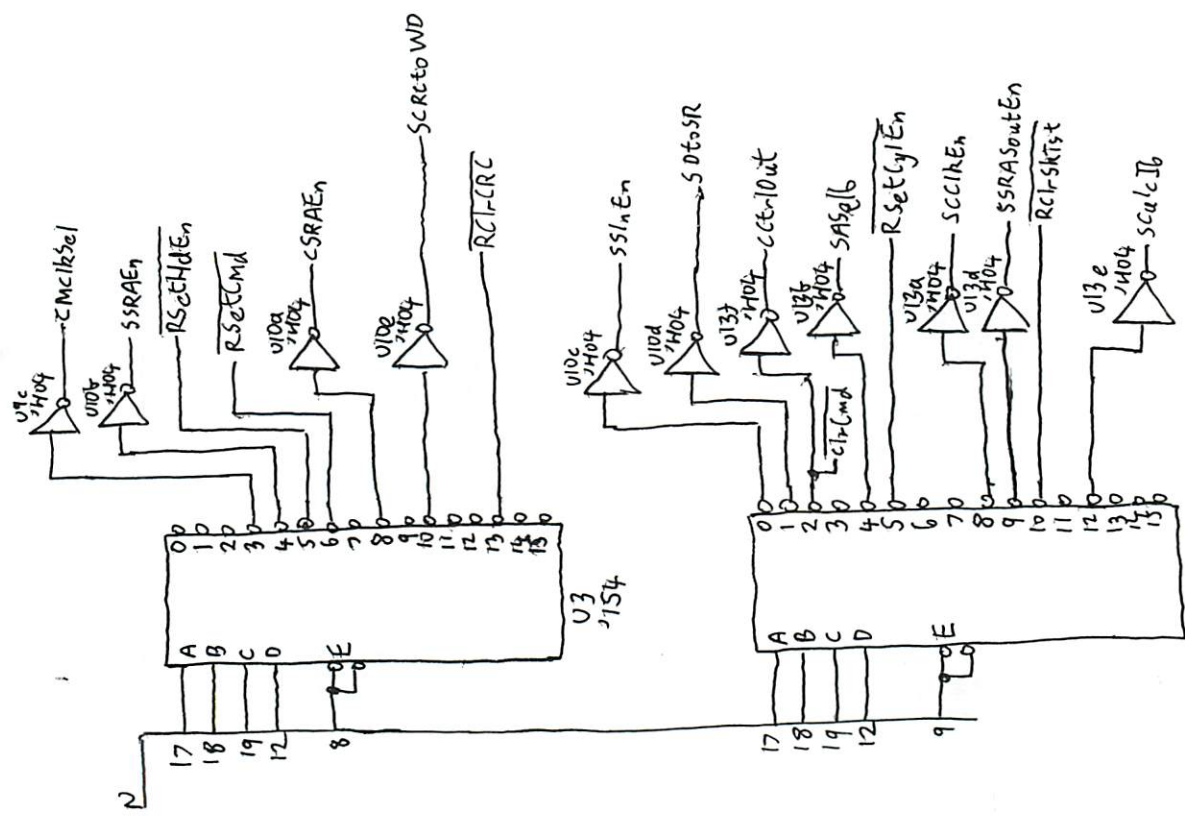


Test Connector



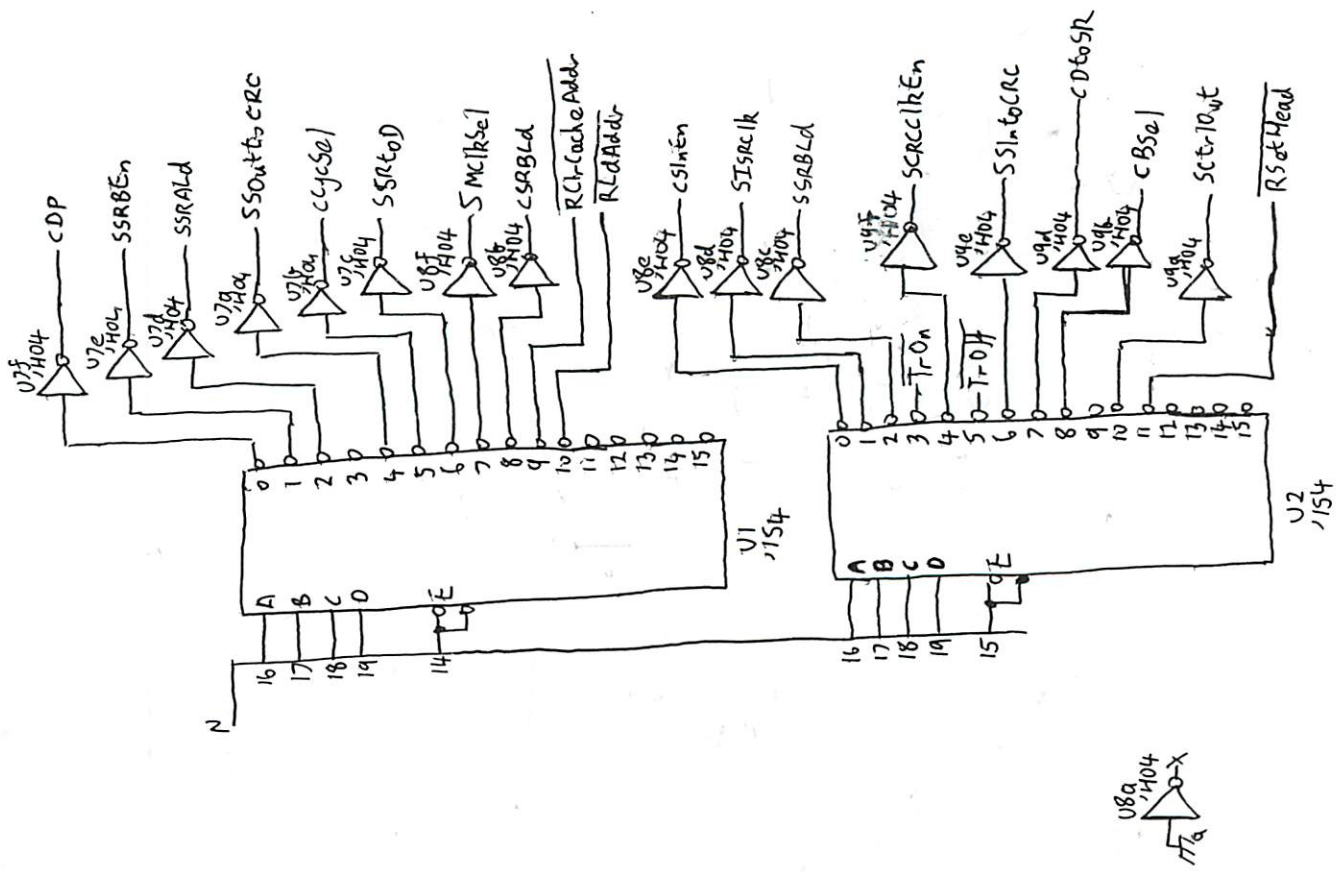
Clock Buffer

11305-66504 (Y)



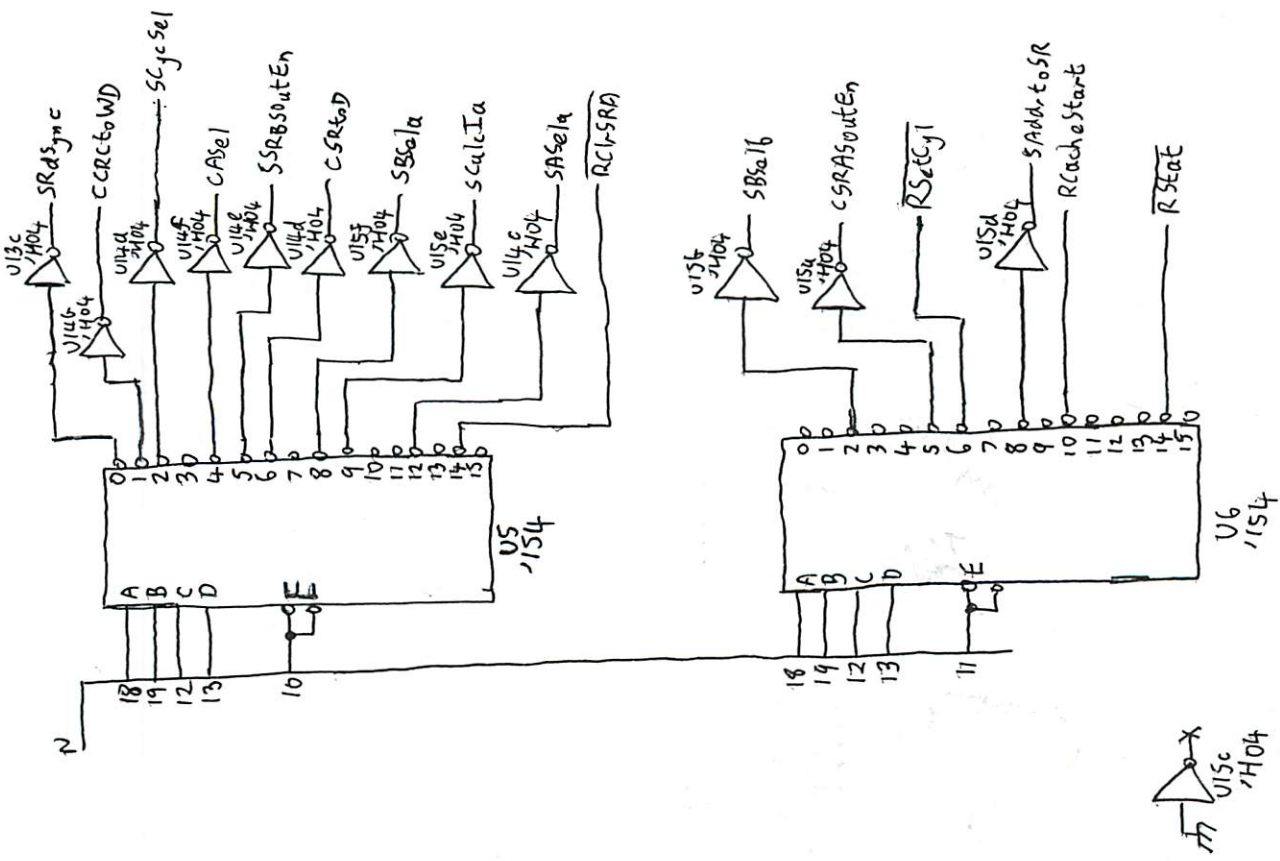
Instruction Decoder

11305-66504 (Y)

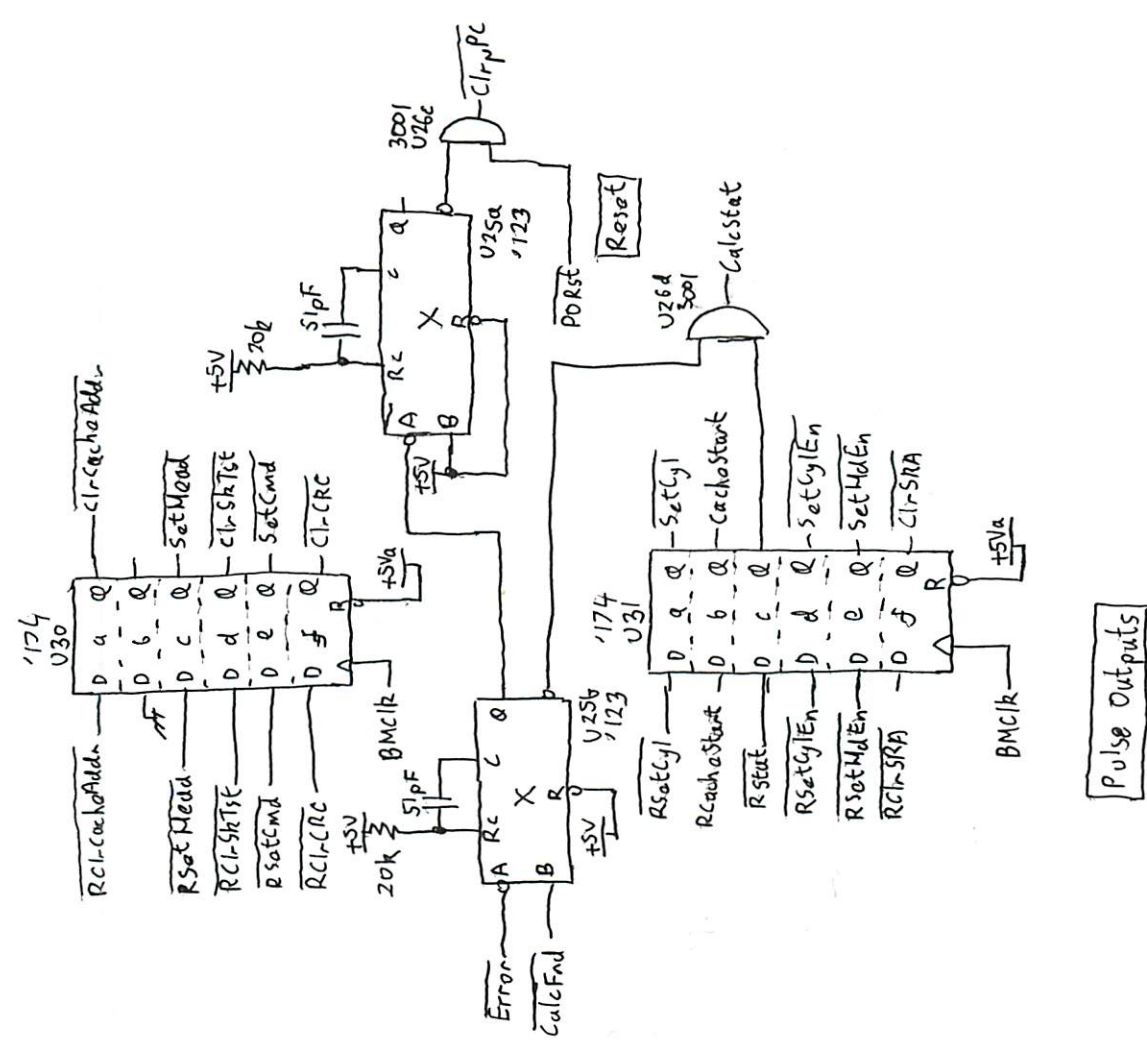


HP11305 Instruction PCB sheet 2

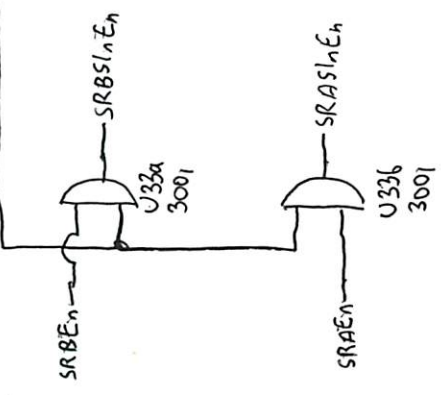
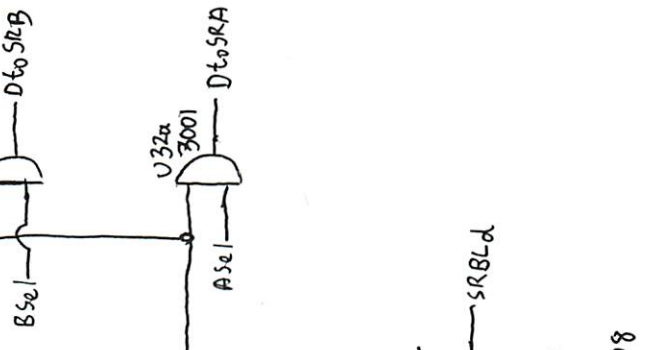
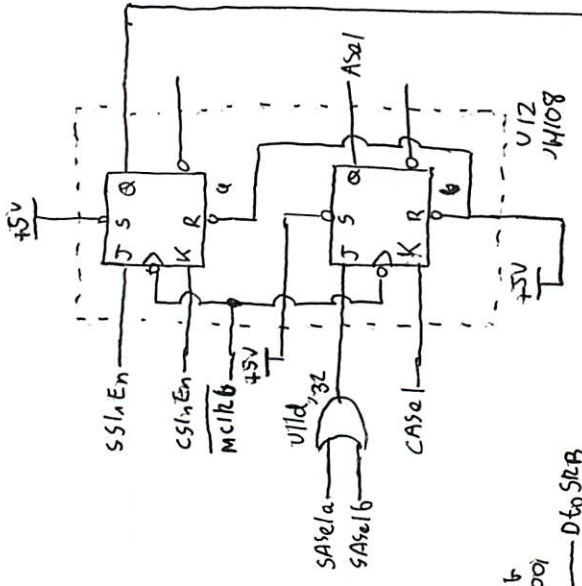
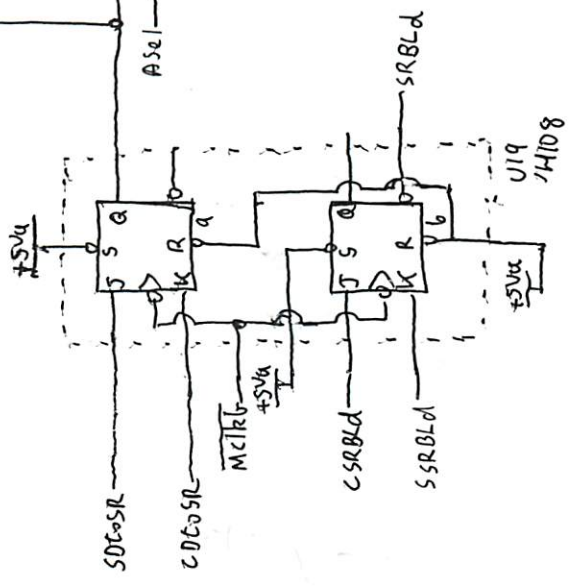
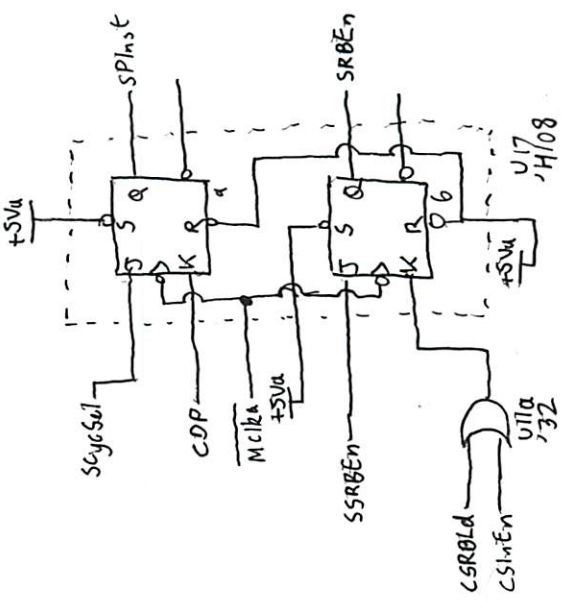
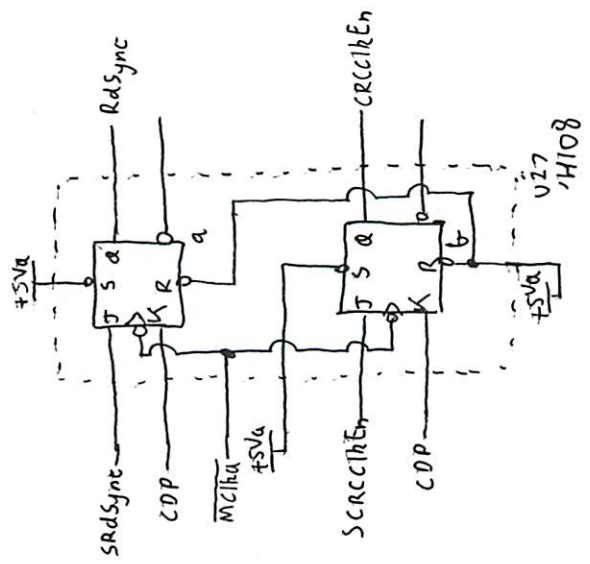
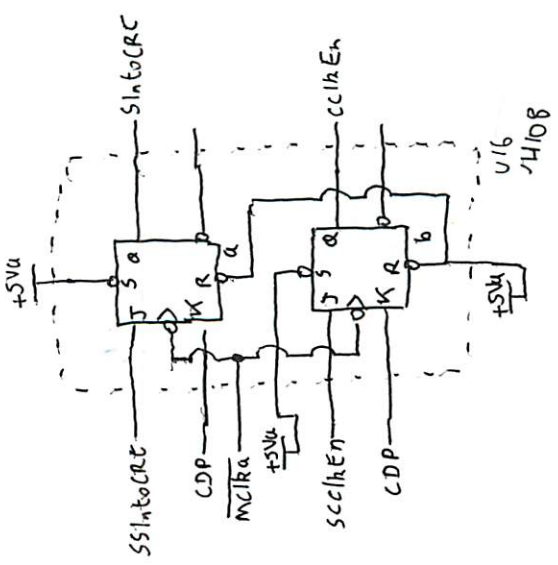




Instruction Decoder

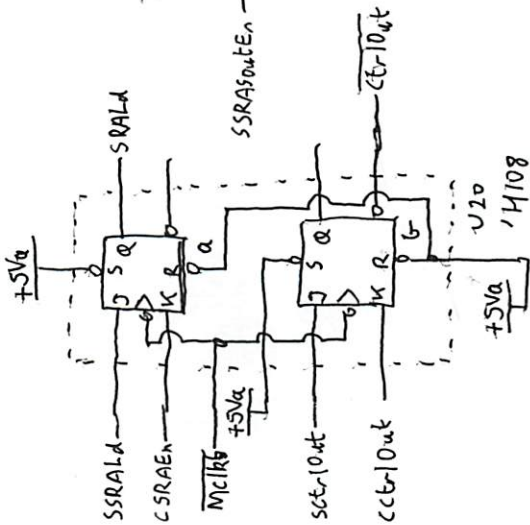
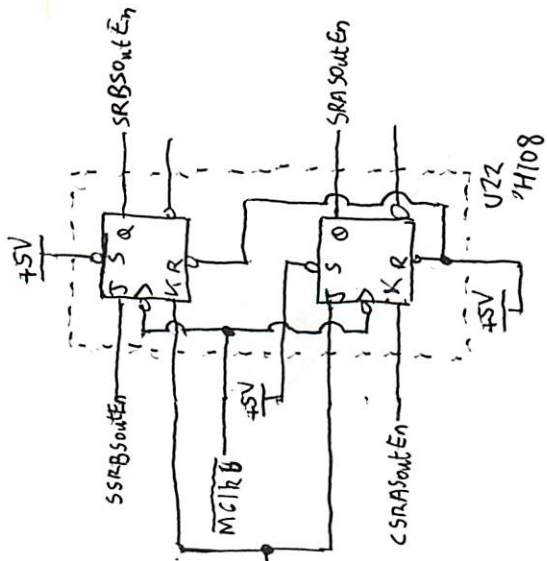
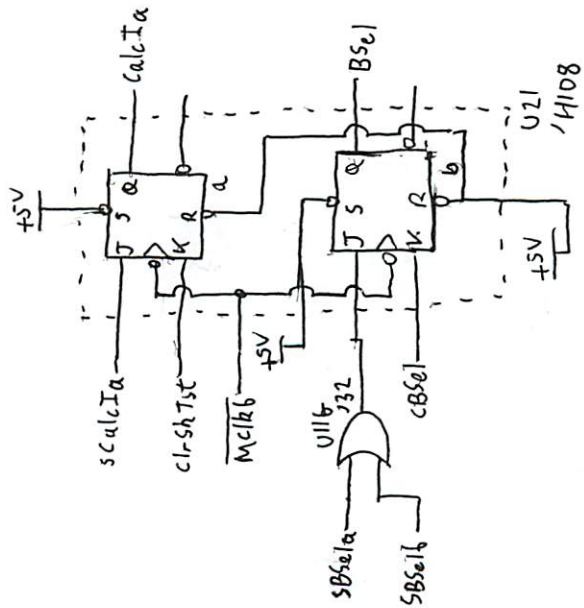
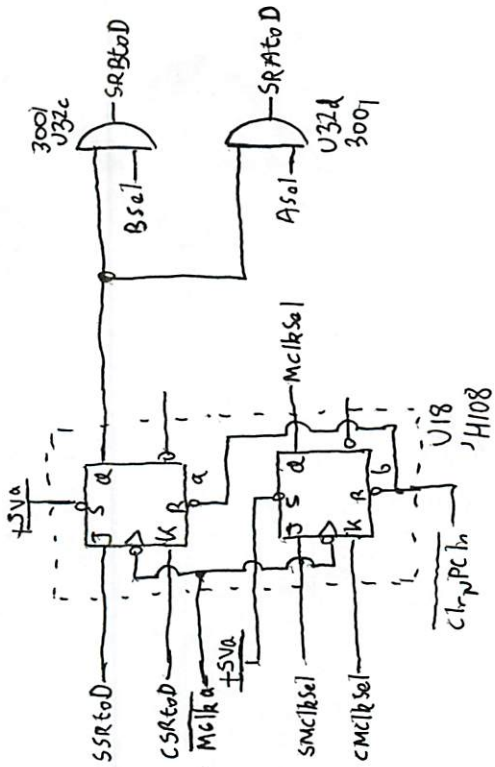
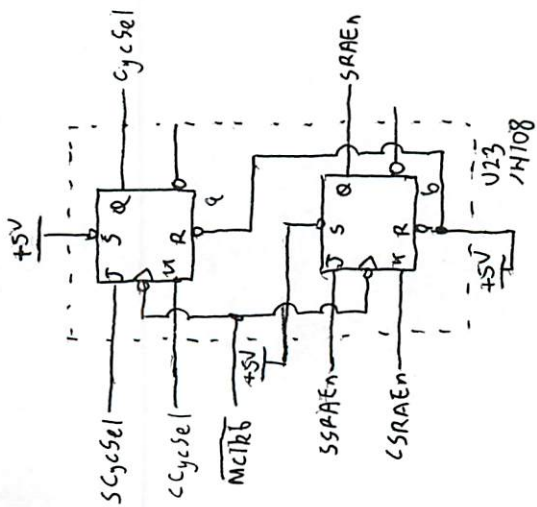


Pulse Outputs

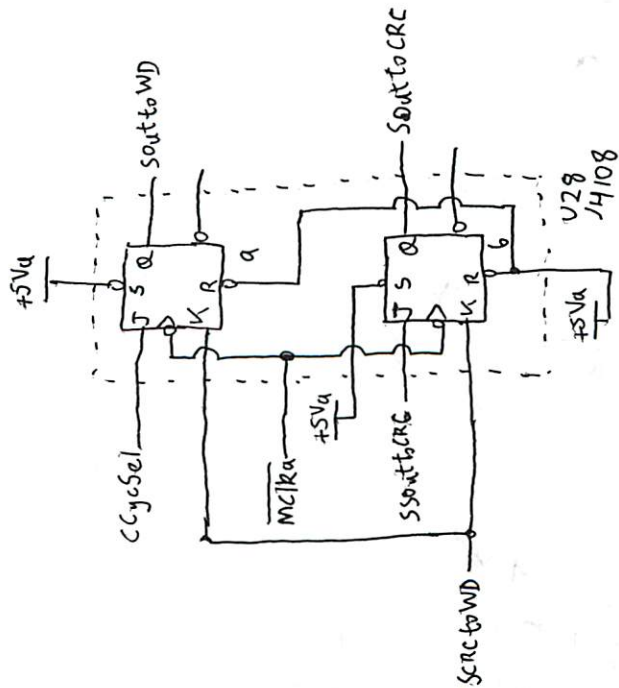
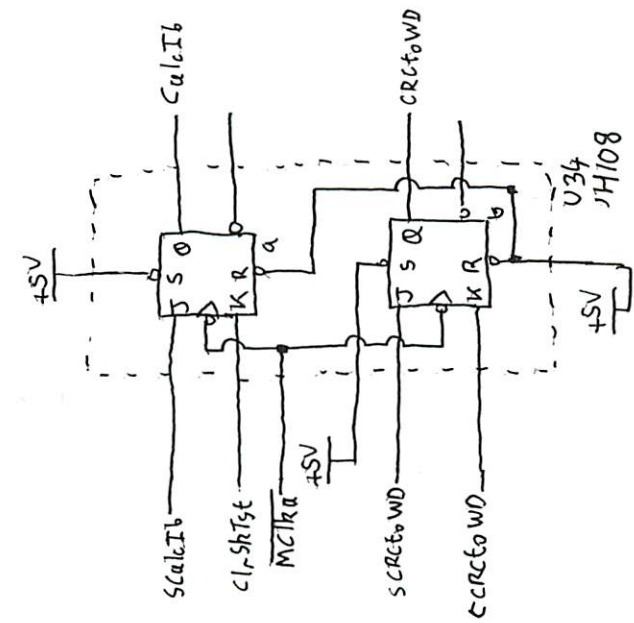
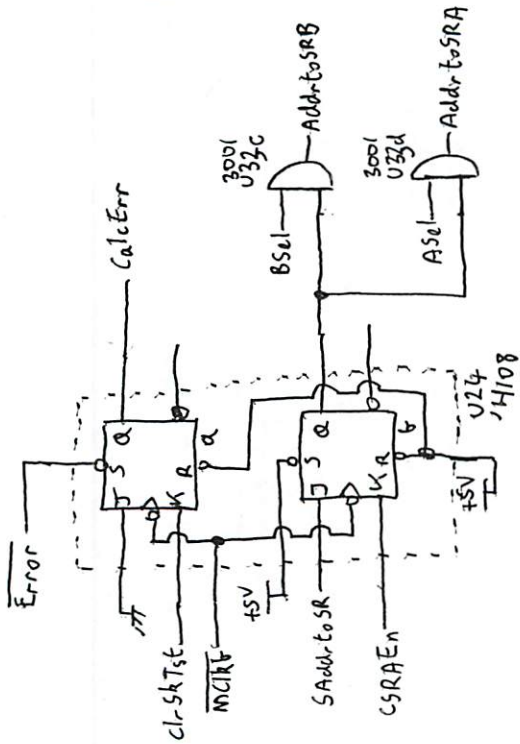
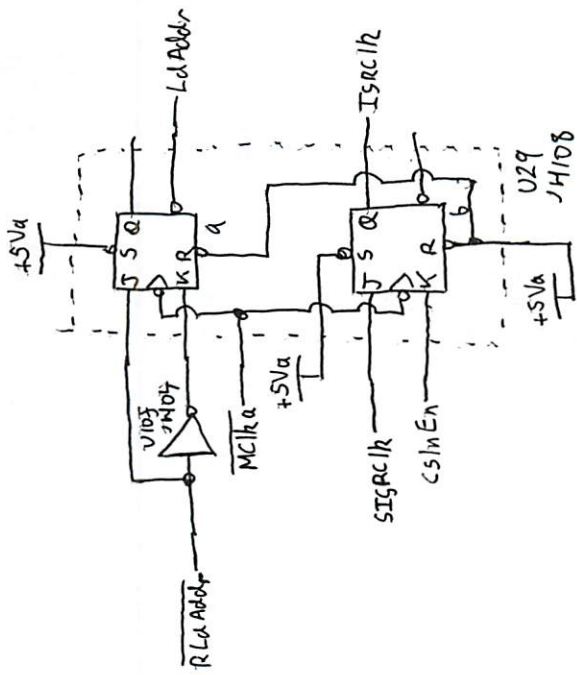


Control Outputs



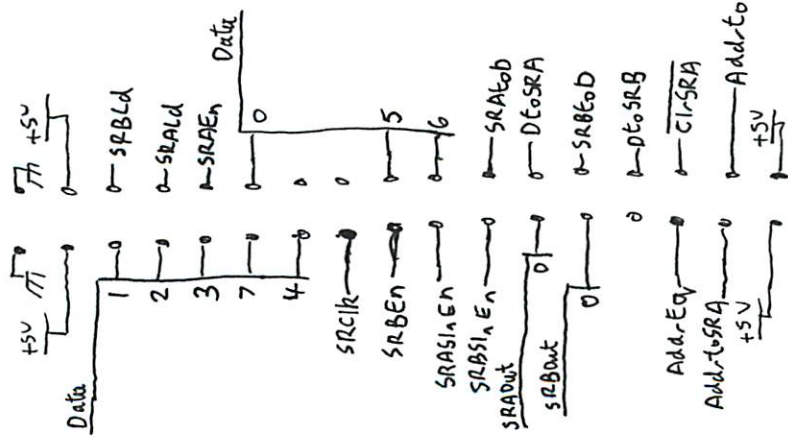


Control Outputs

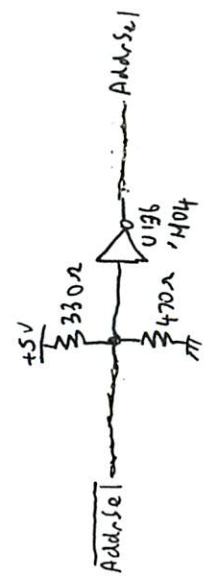
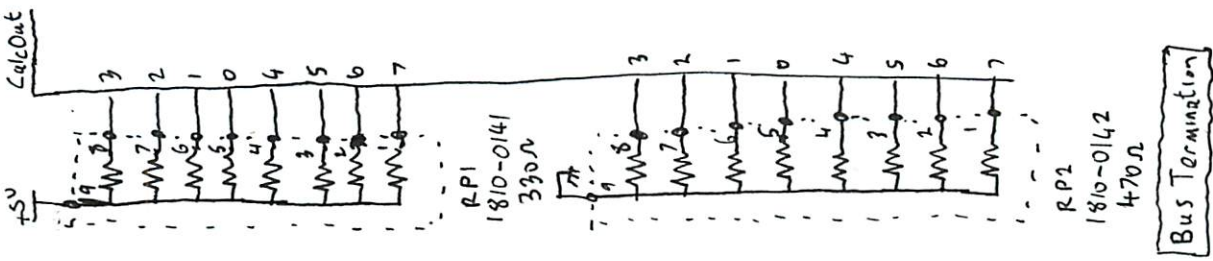
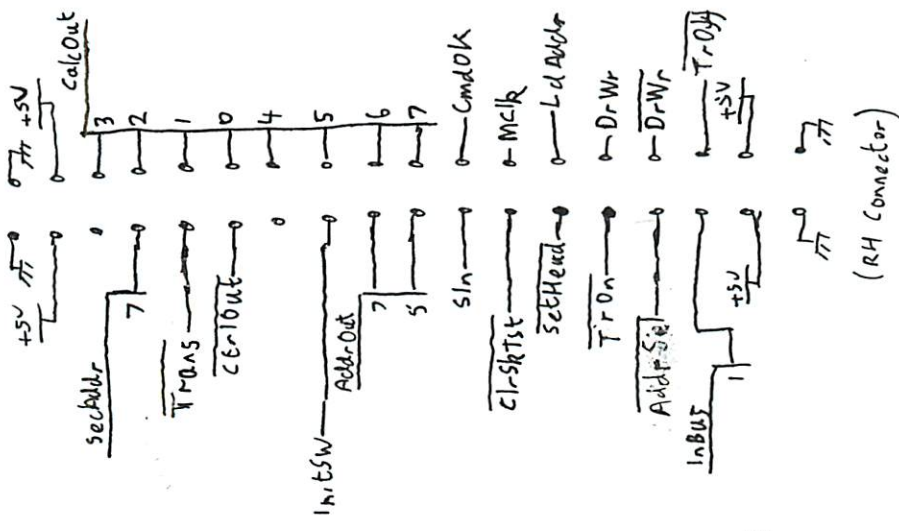


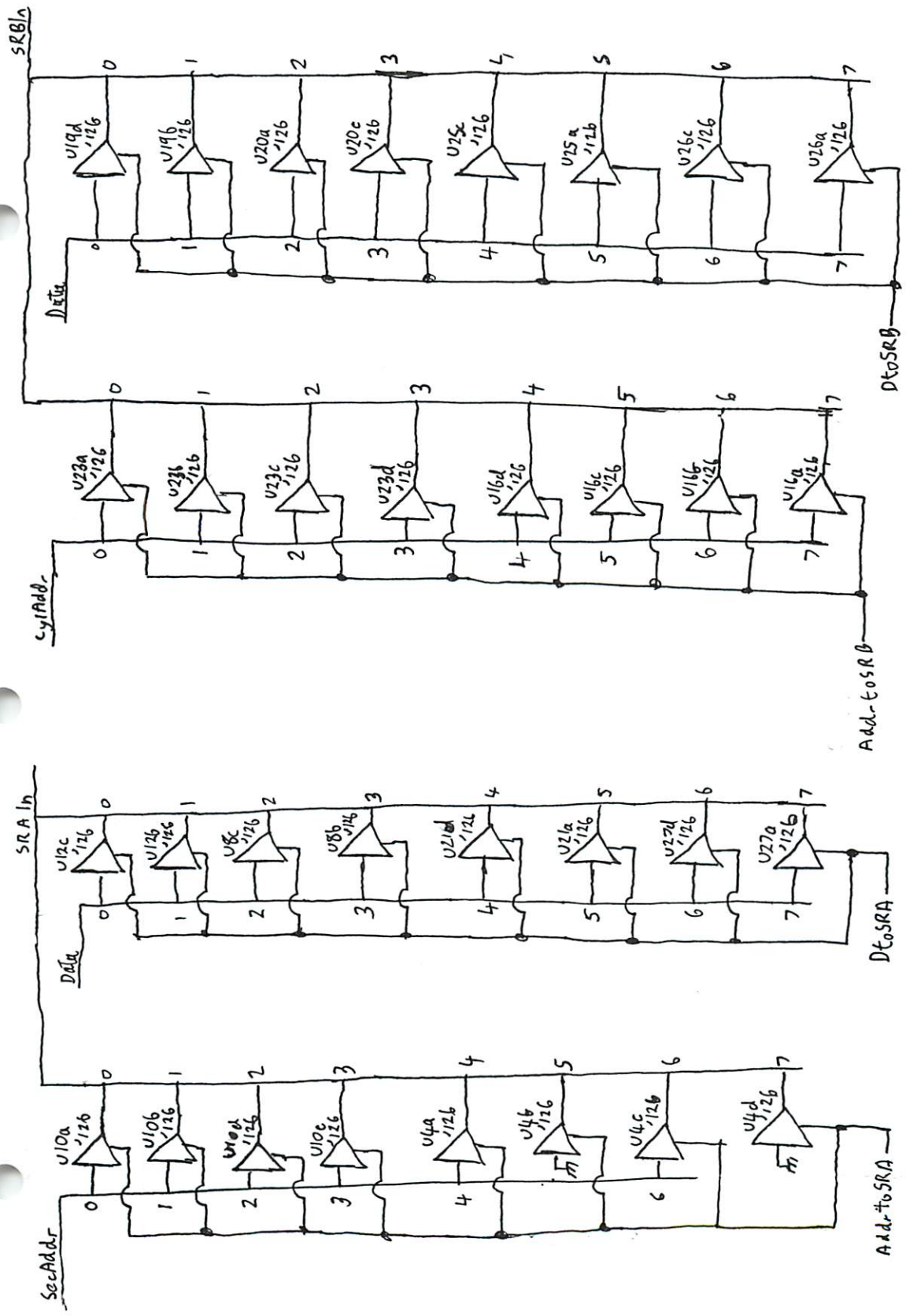
Control Outputs

LMS
 ↗ Rear

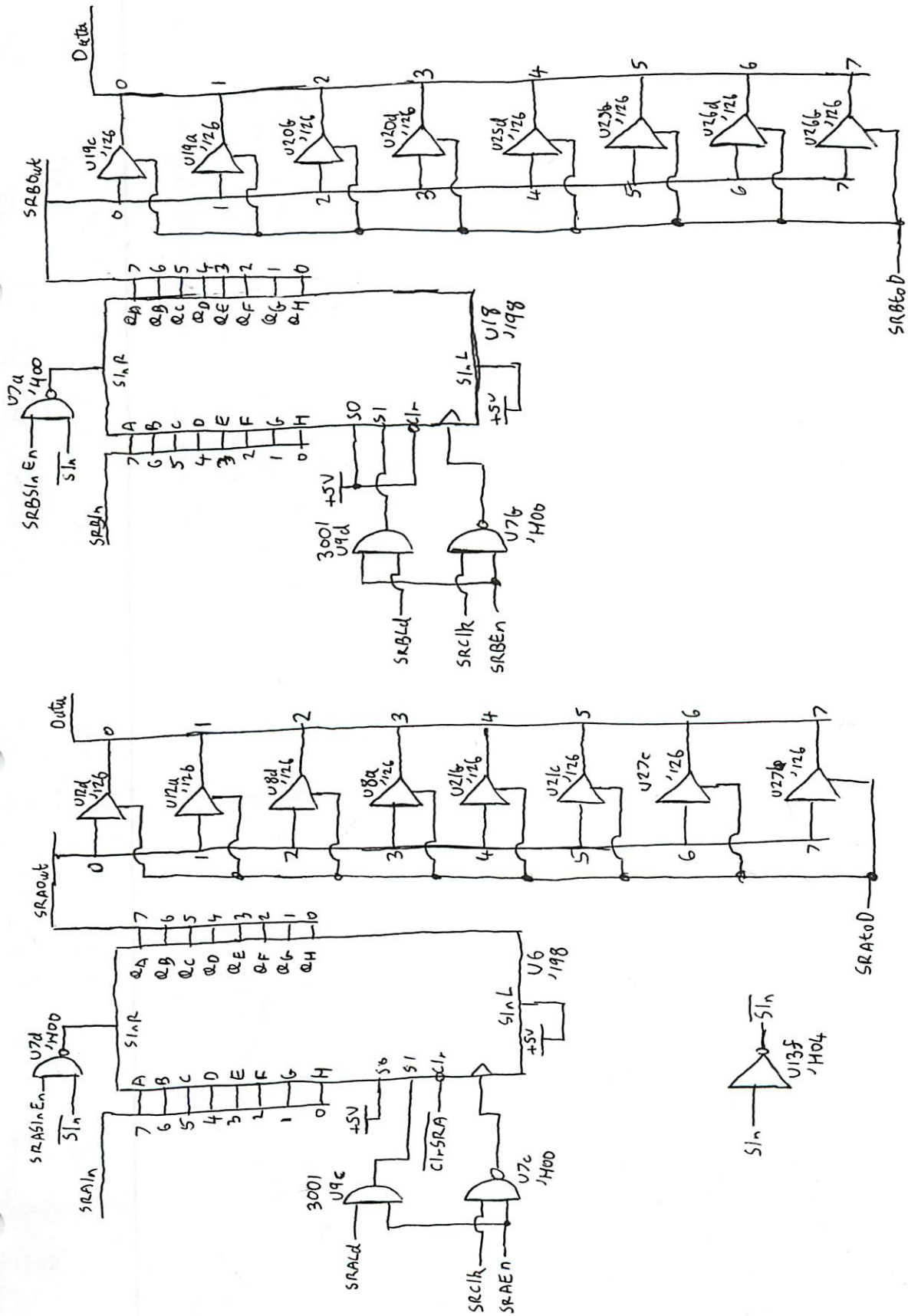


(LH Connector)

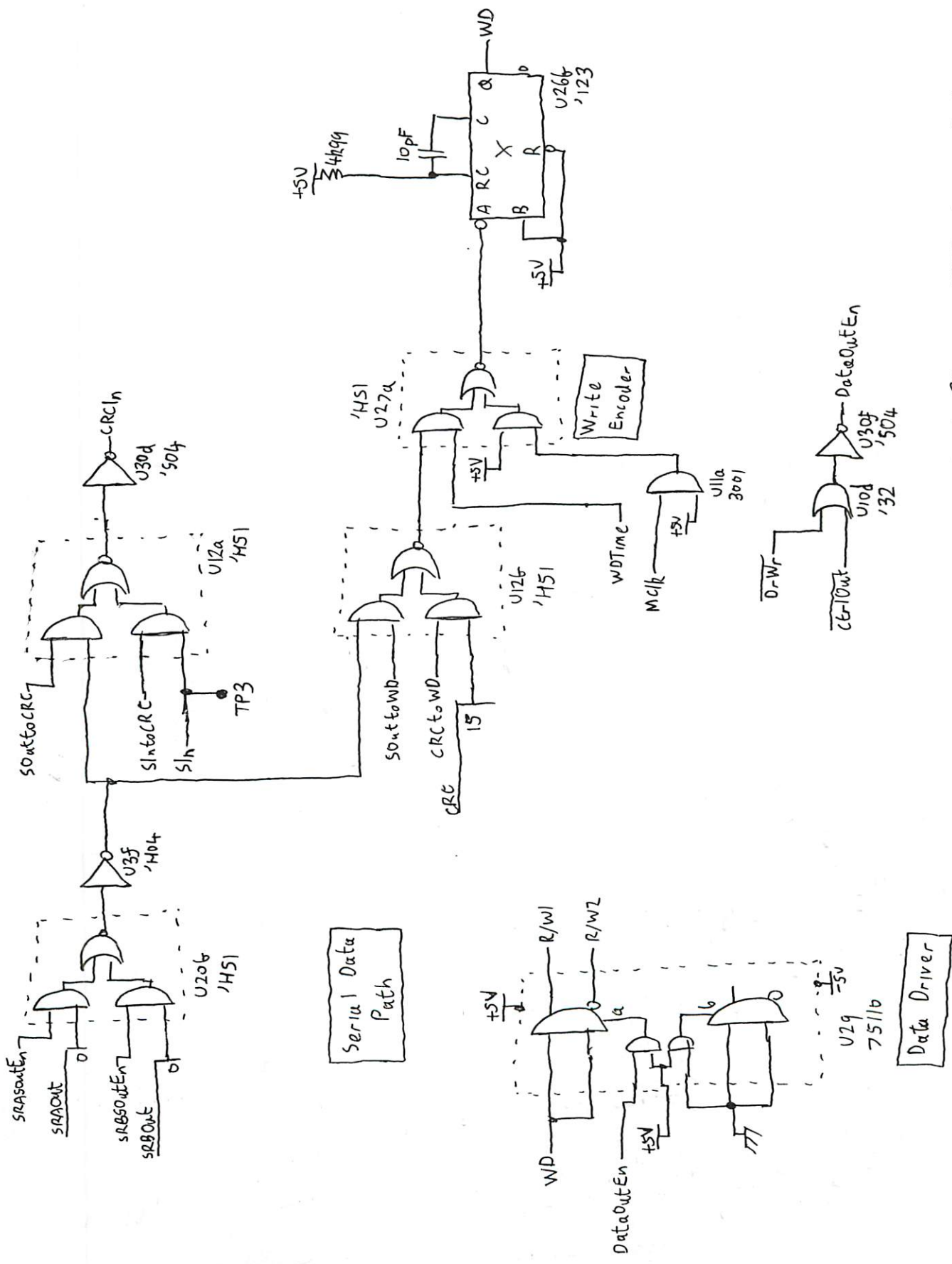


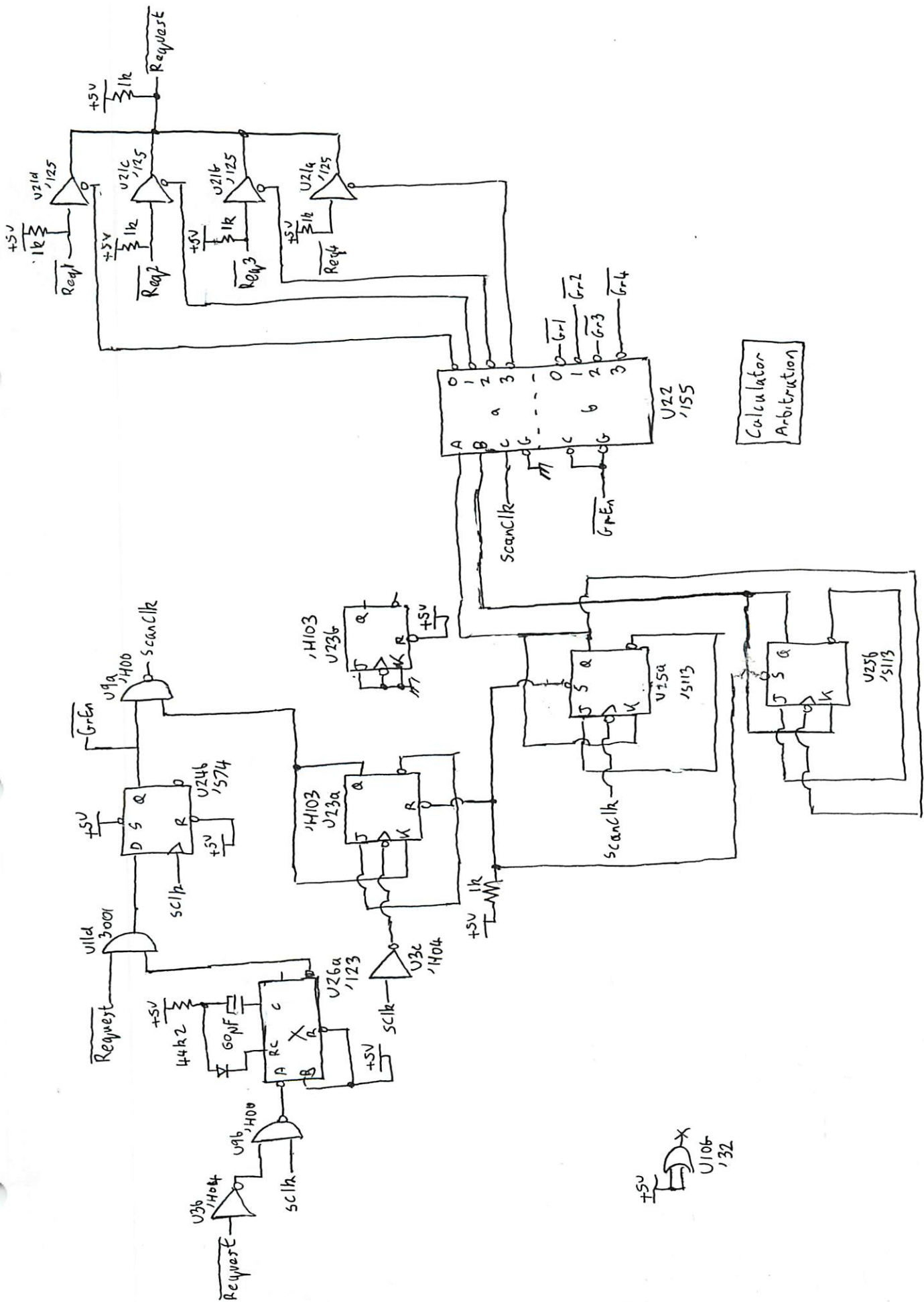


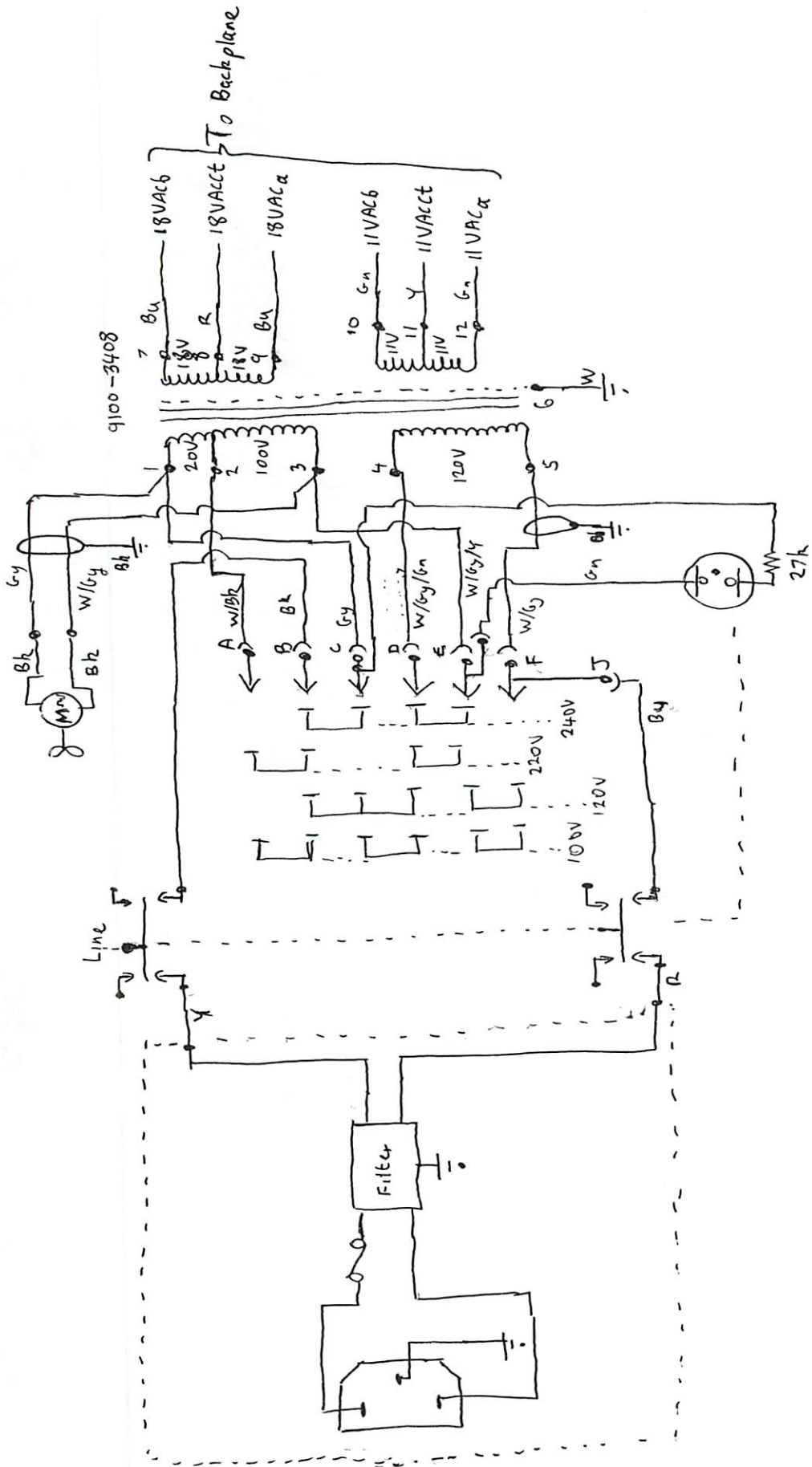
Shift Register Input Multiplexer



Data Shift Register

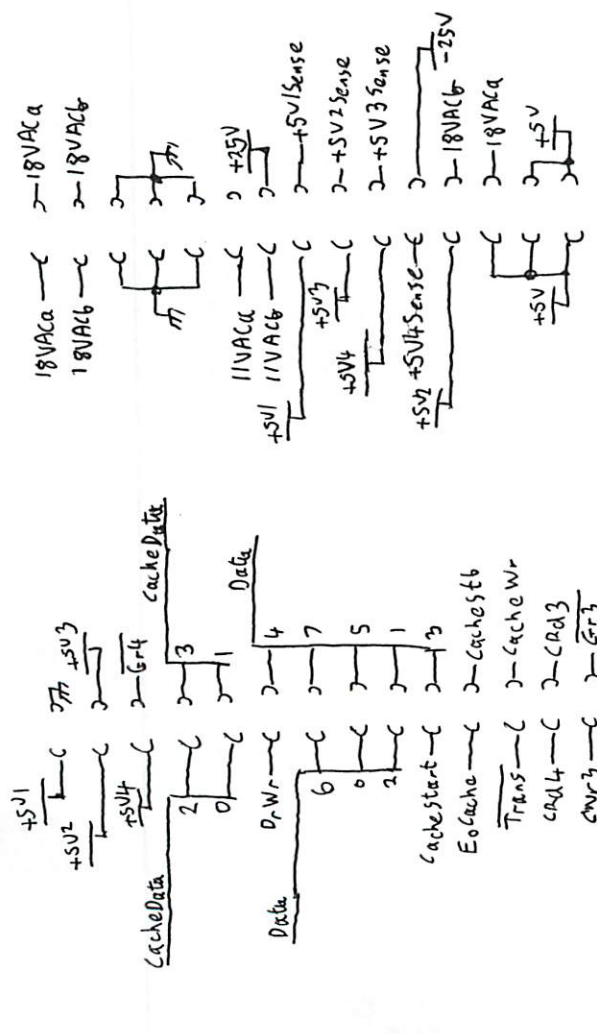




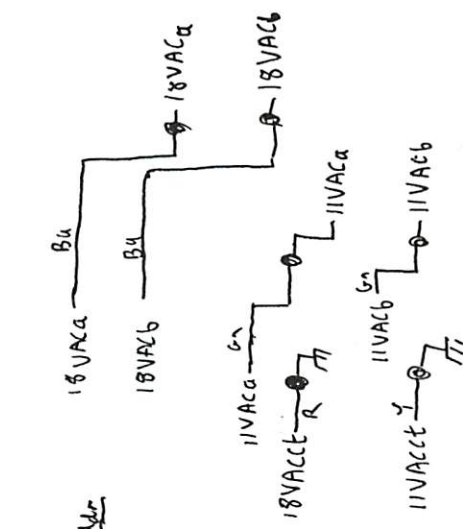


HP11305 Transformer Wiring

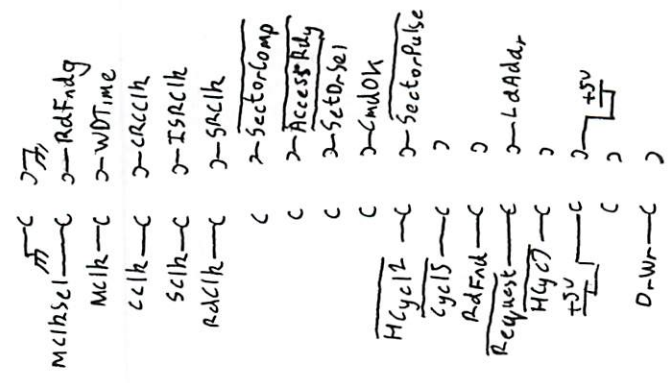
CHS
↑ → Rear



PSU (11305-66501)

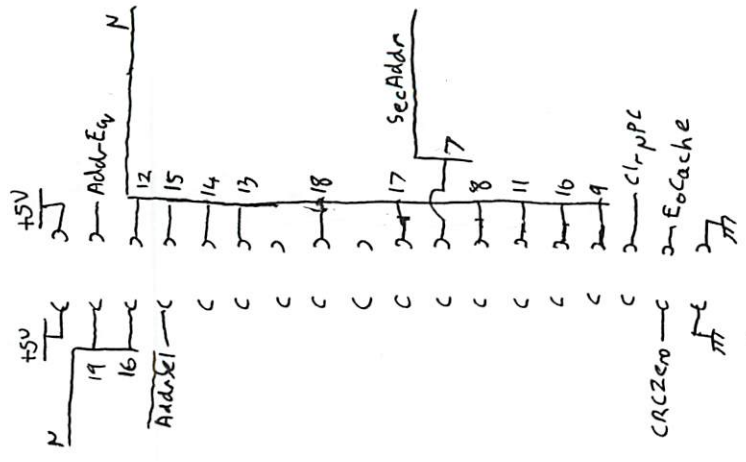


Memory Control (11305-66501)

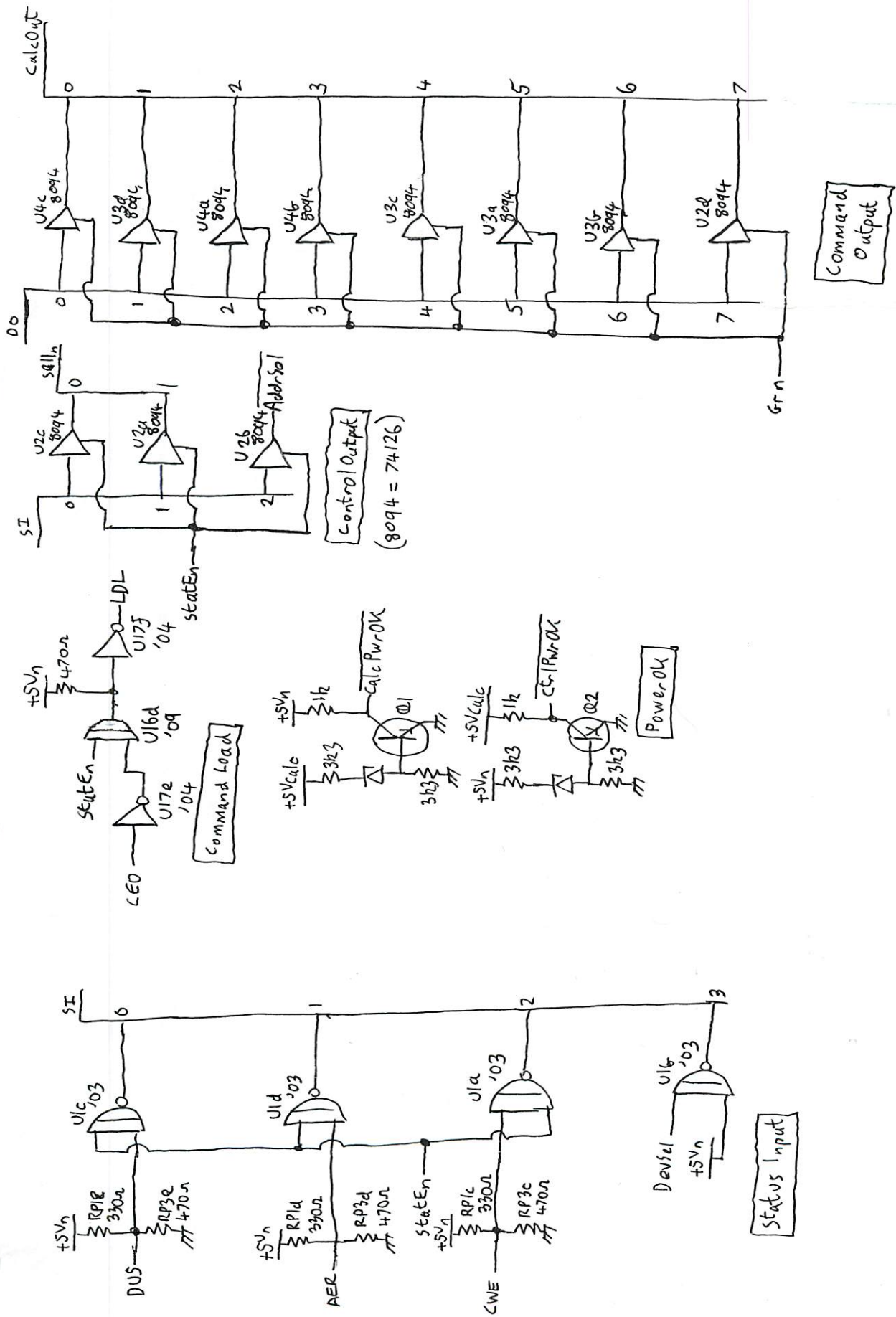


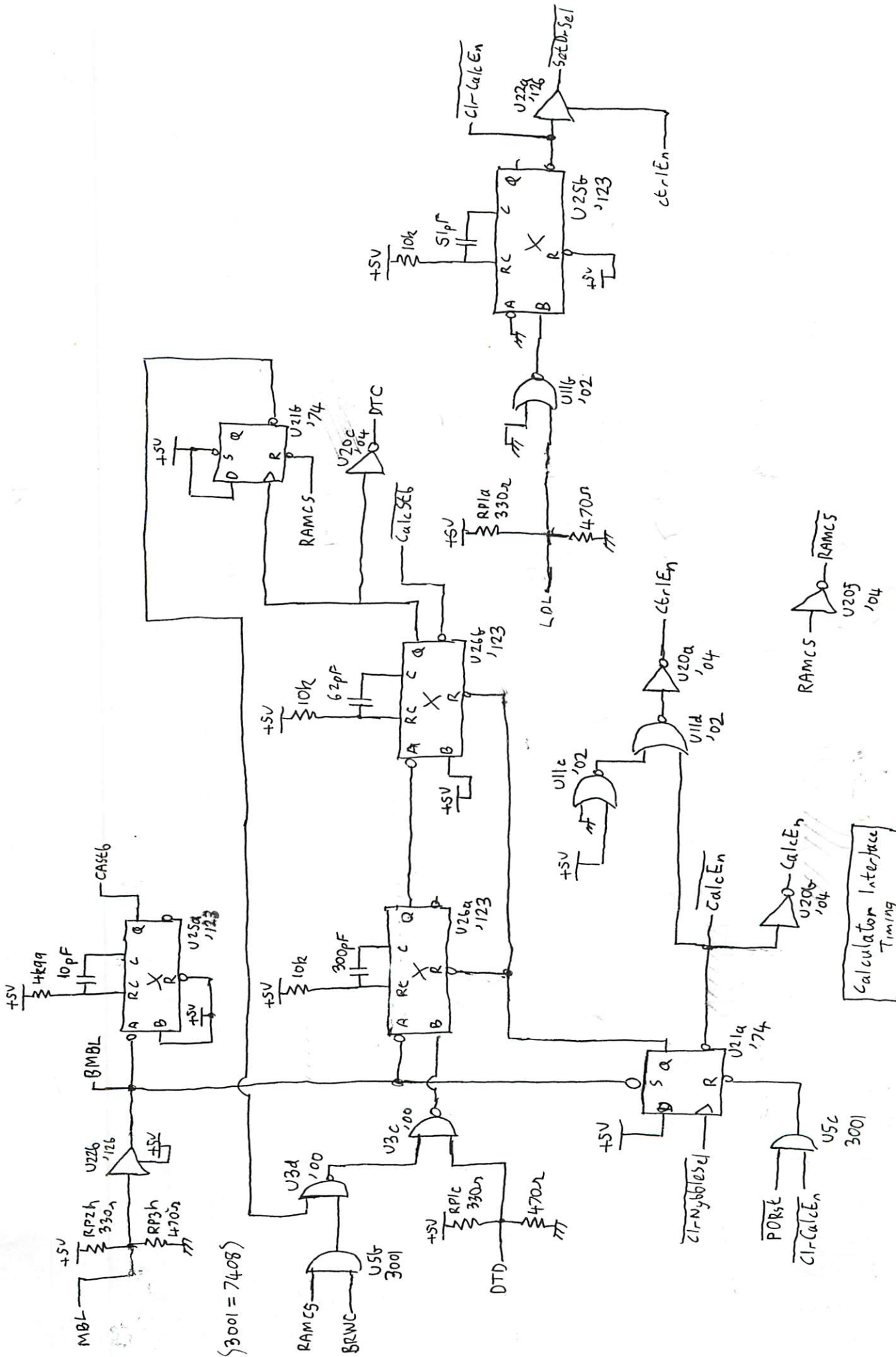
(LH Connector)

ROM

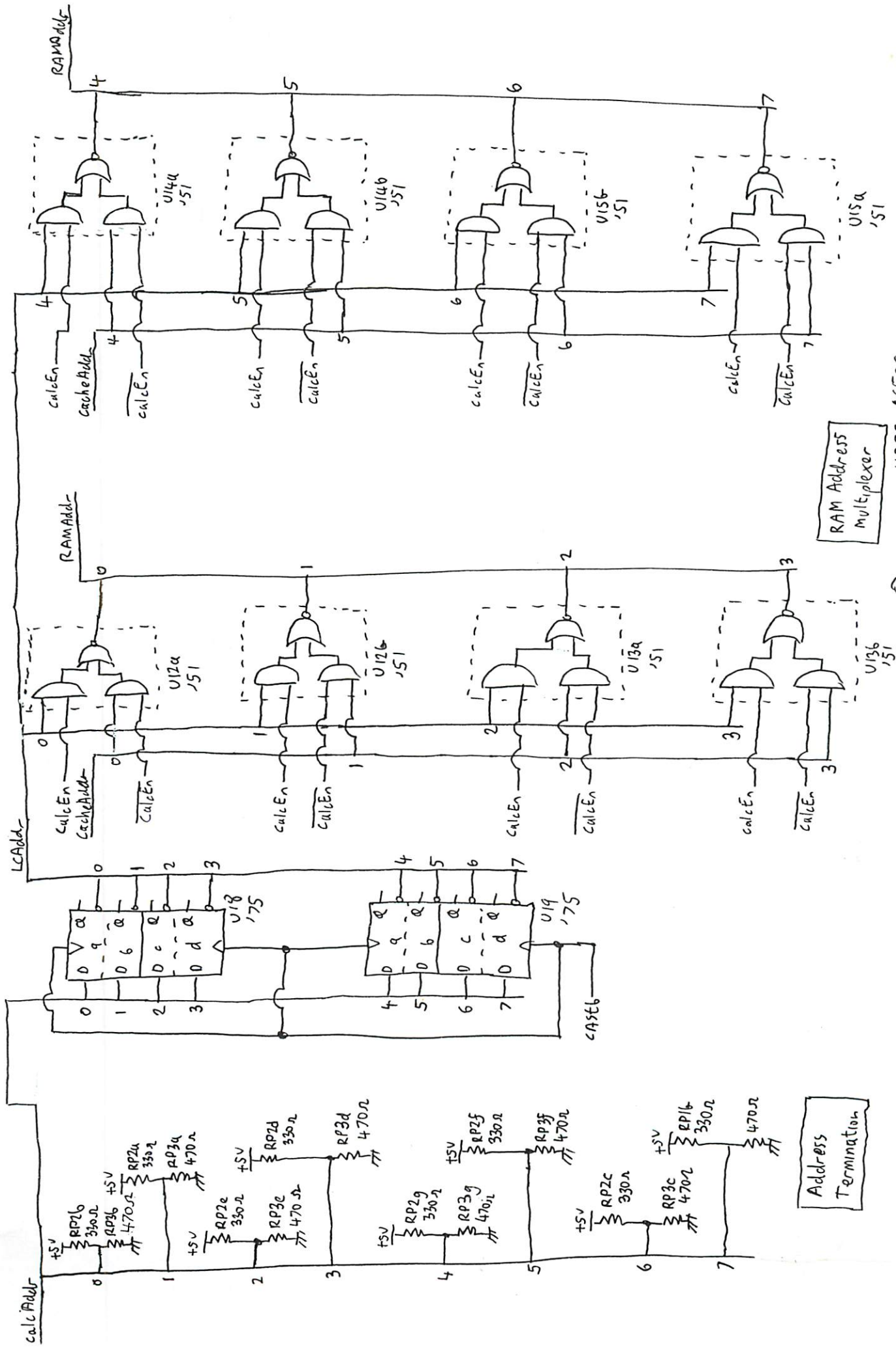


(RH Connector)





Calculator Interface Timing

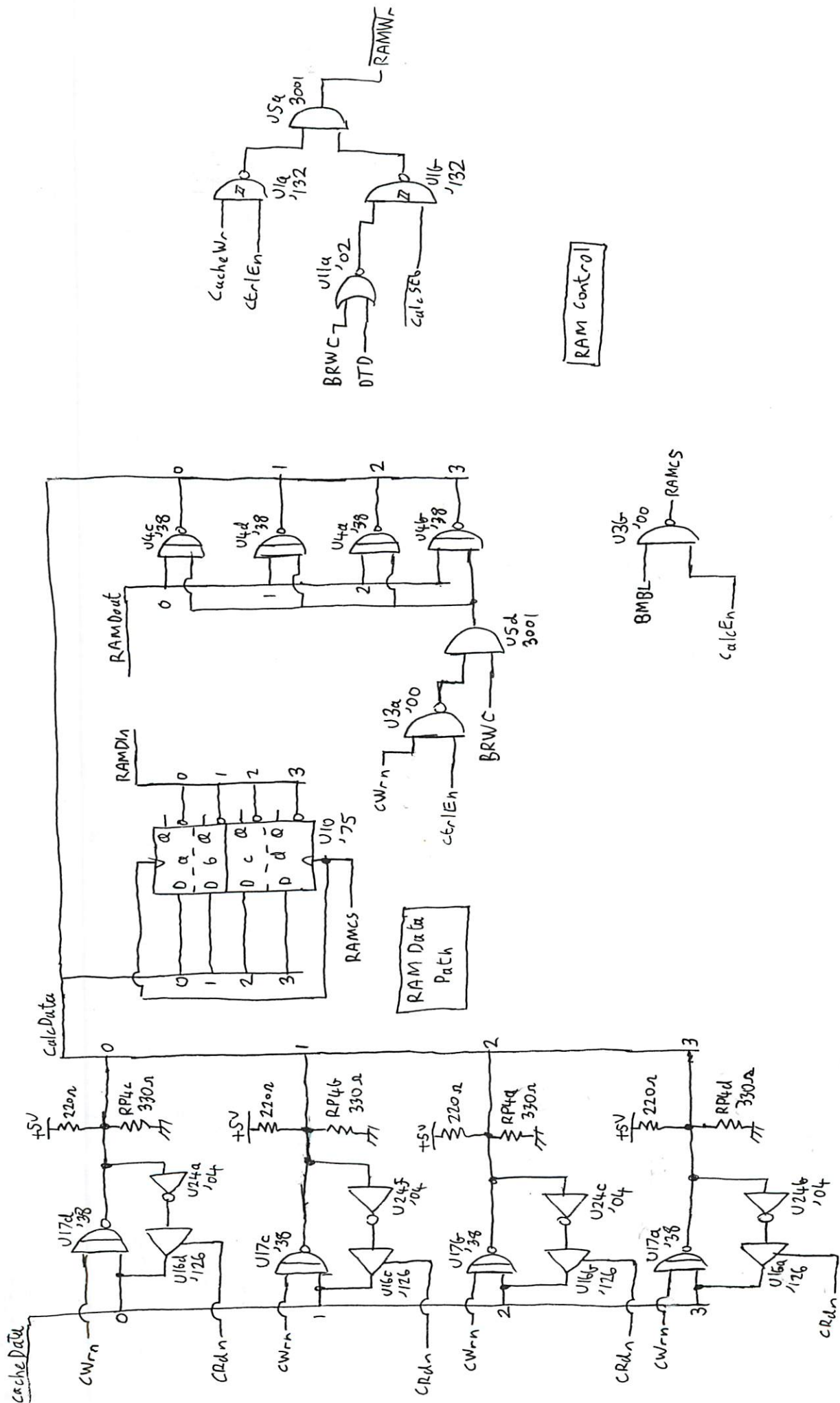


RAM Address Multiplexer

11273-66509

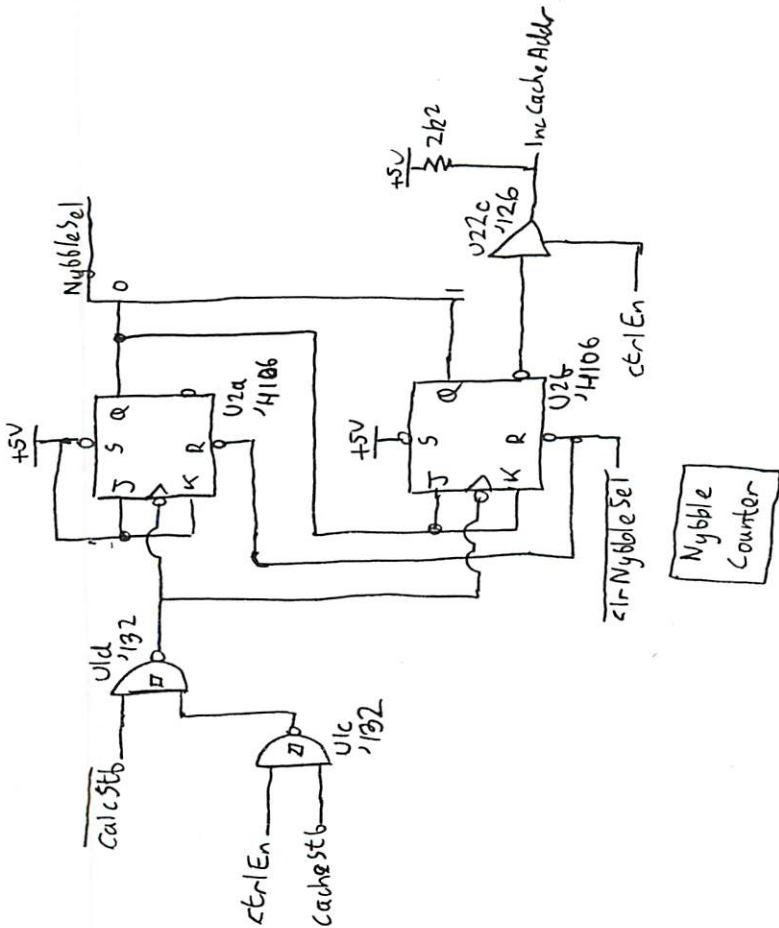
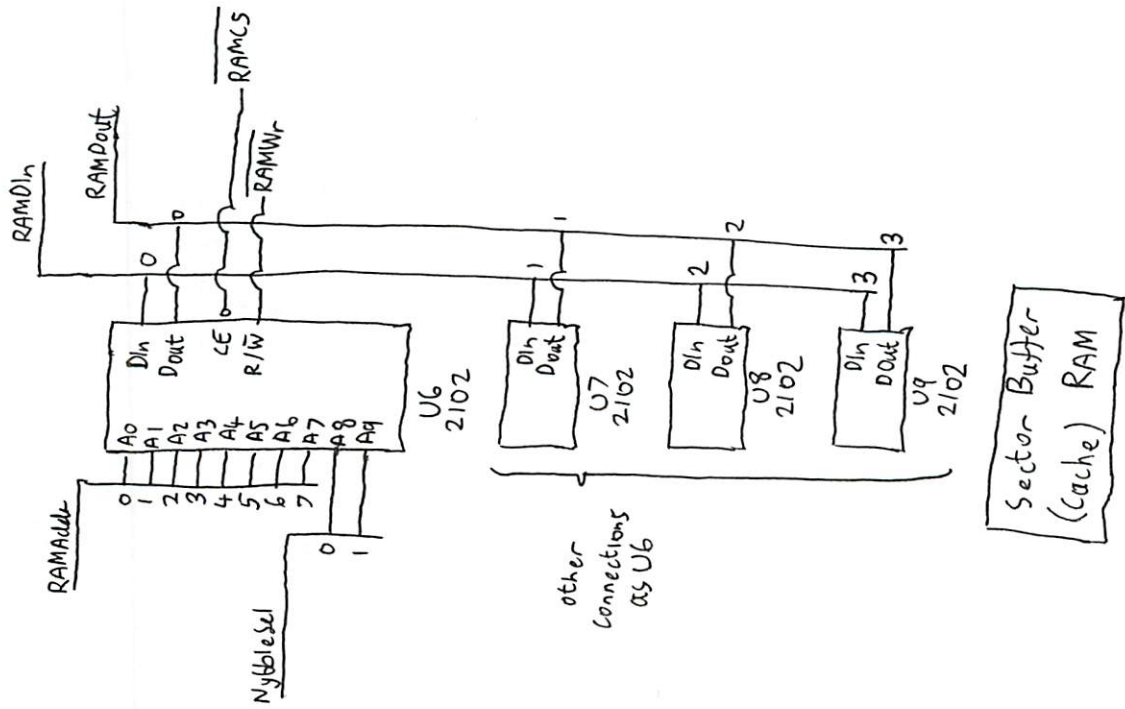
HP11273 Cache Memory PCB Sheet ③

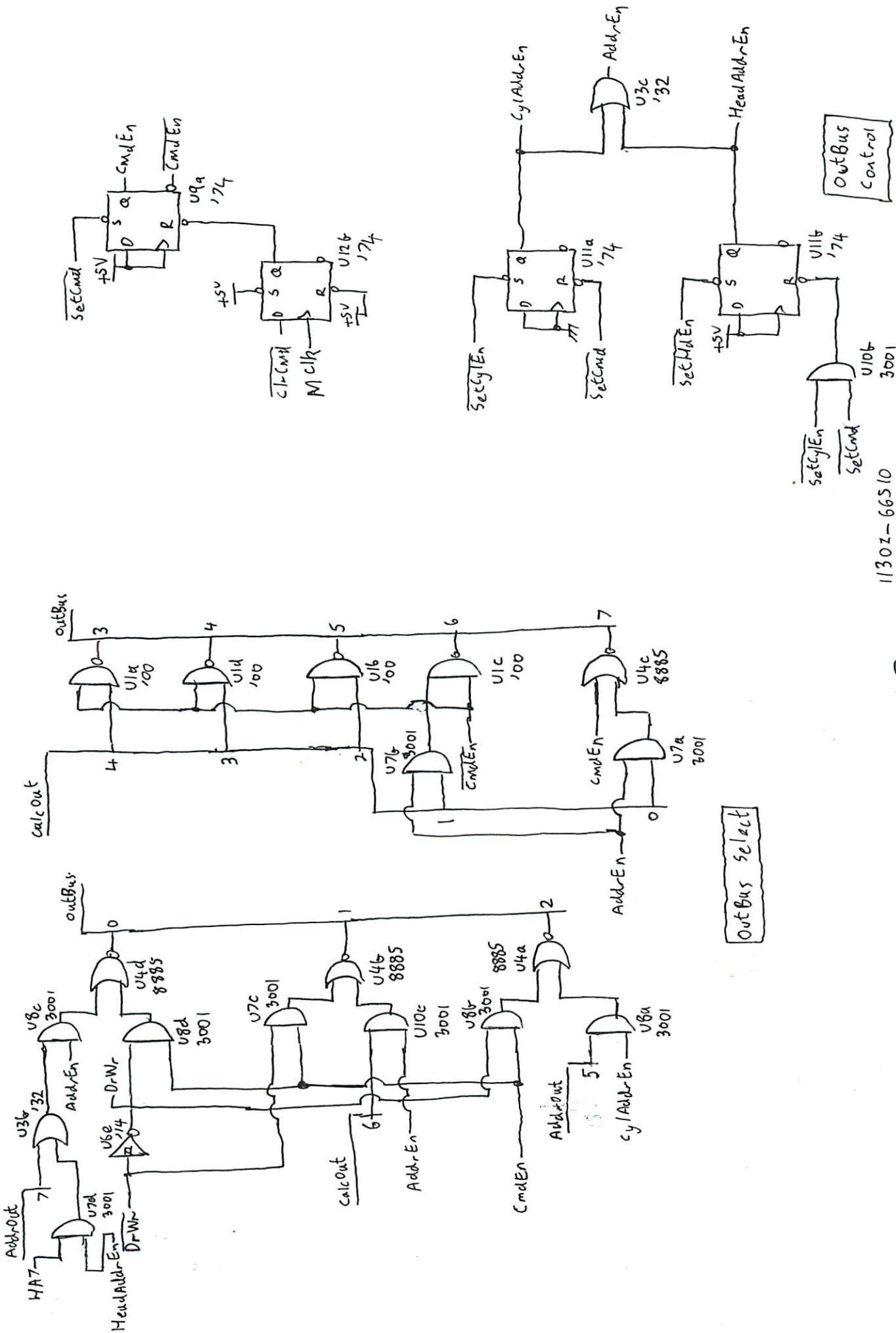
Address Termination



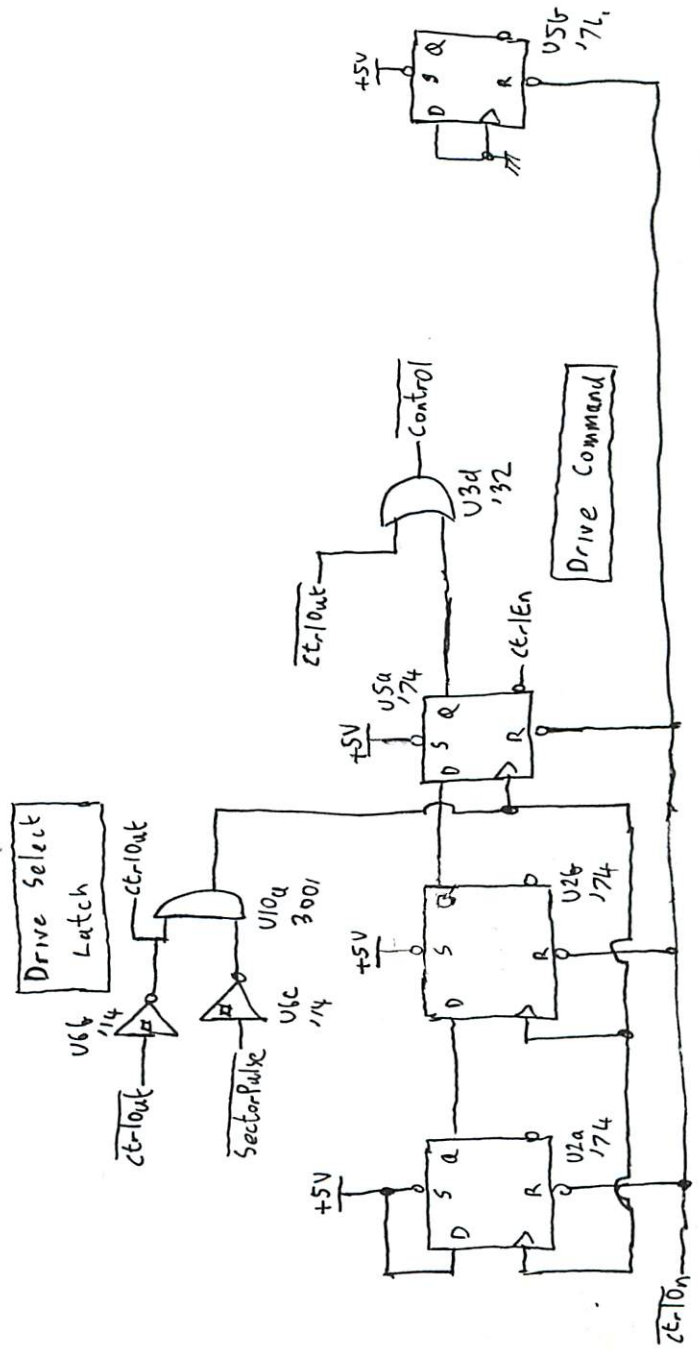
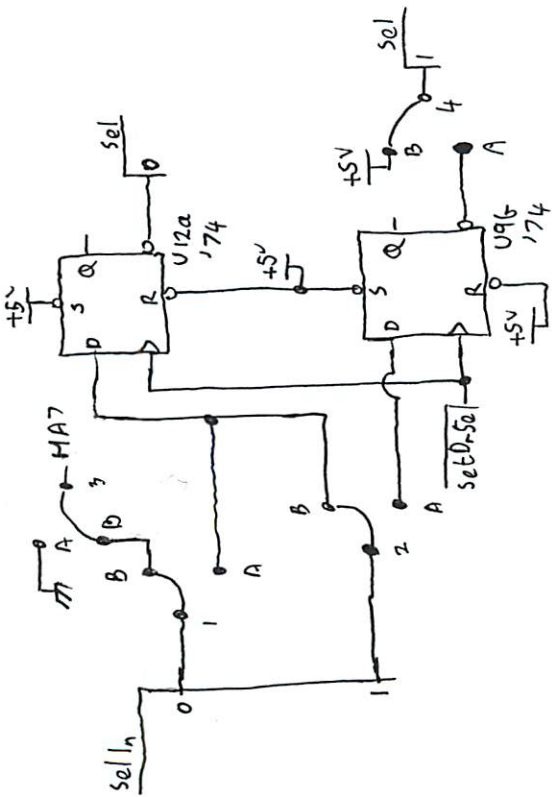
11273 - 66509

HP11273 Cache Memory PCB Sheet 4





1130Z-66510
1130Z-66511



11302-66510
11302-66511

