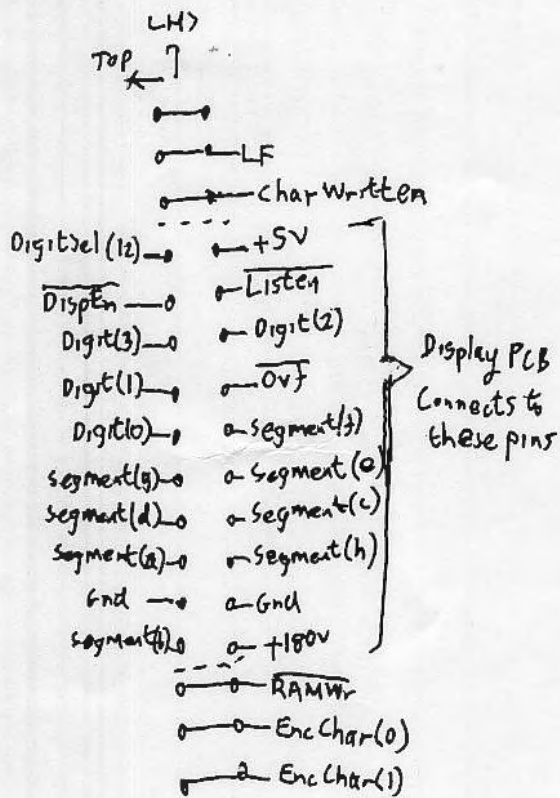
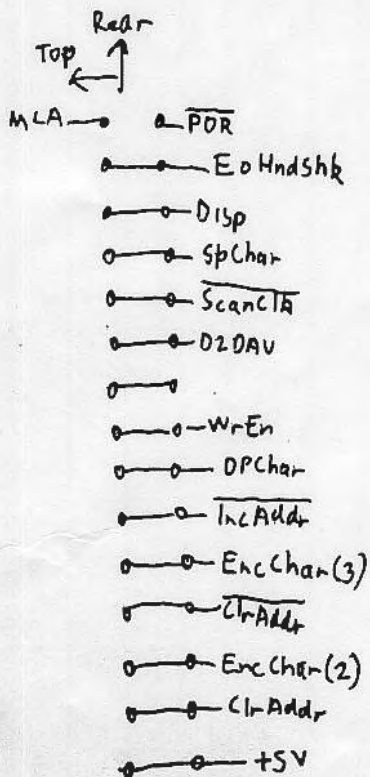


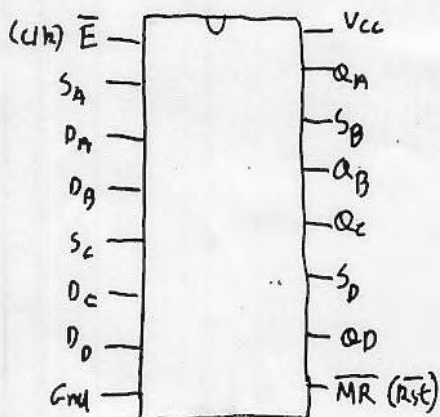
HP59304



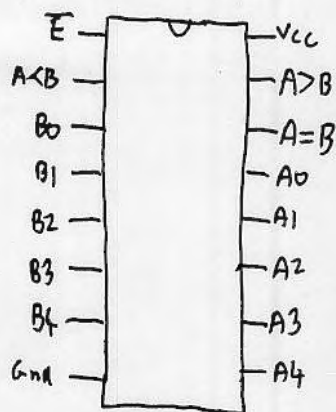
Logic PCB Front Connector



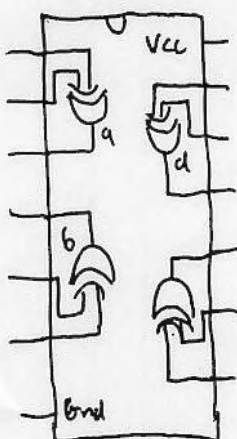
Logic PCB LHS
Test Connector



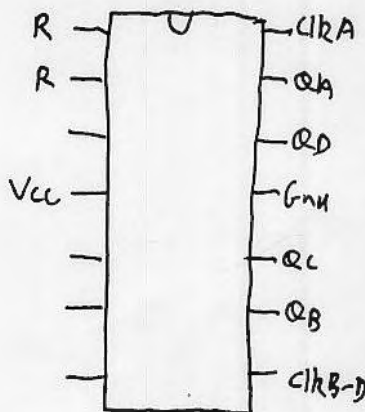
93L14
4-bit Latch



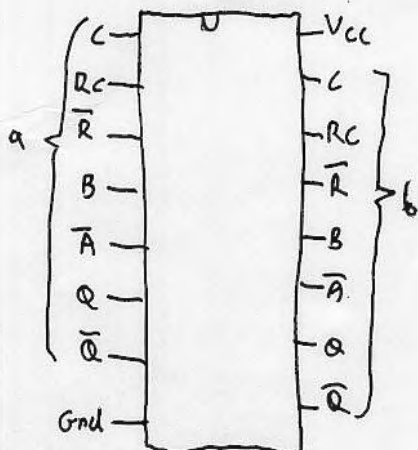
93L24
5-bit Comparator



74L86
Quad XOR Gate



74L93
4-bit Counter



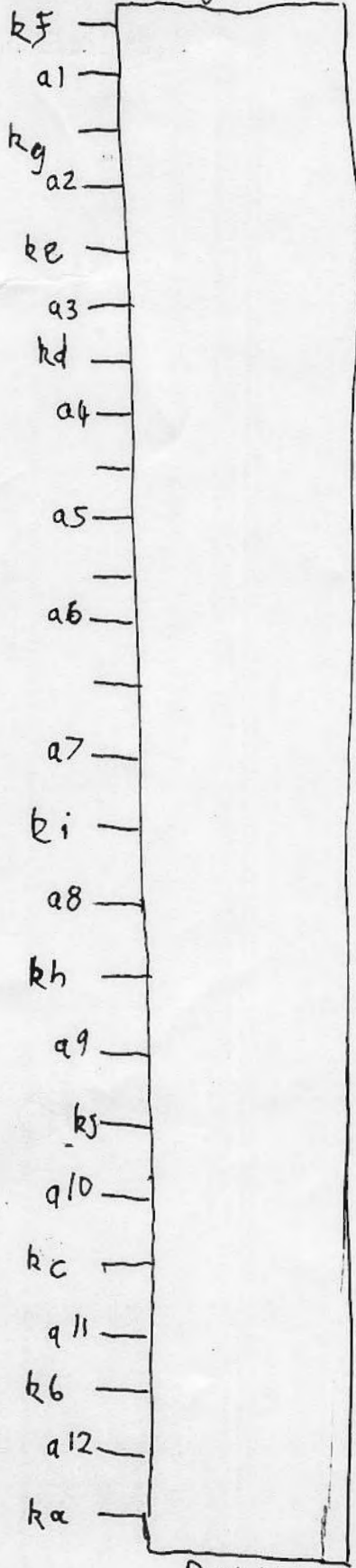
96L02
Dual Monostable

HP59304

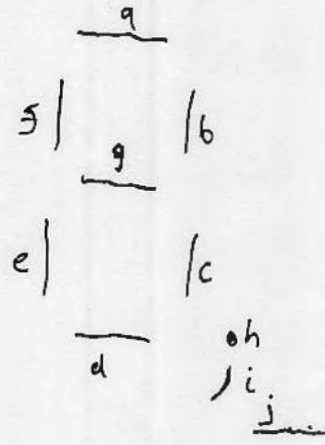
LMS
↑ → Top

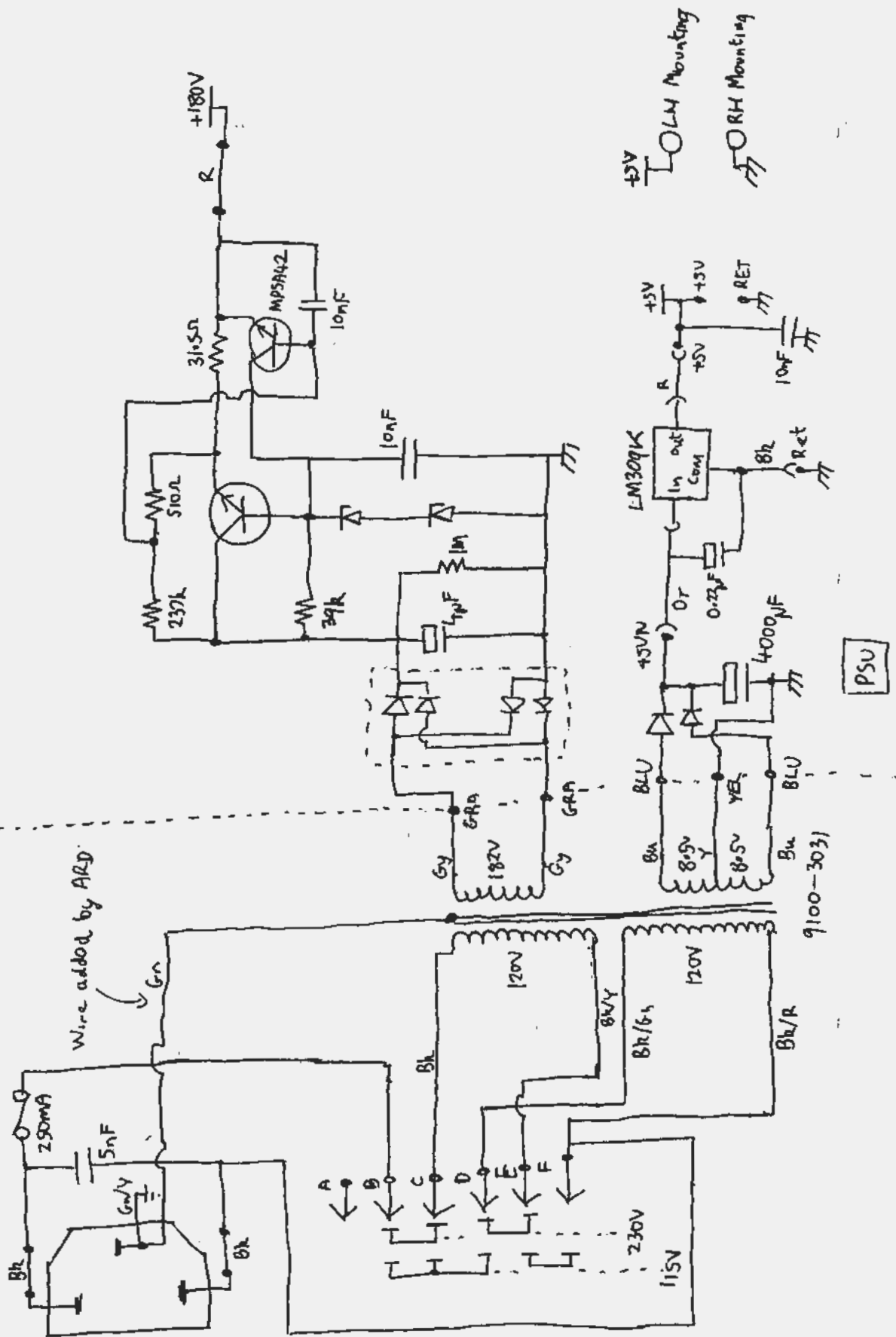
Panaplex Display

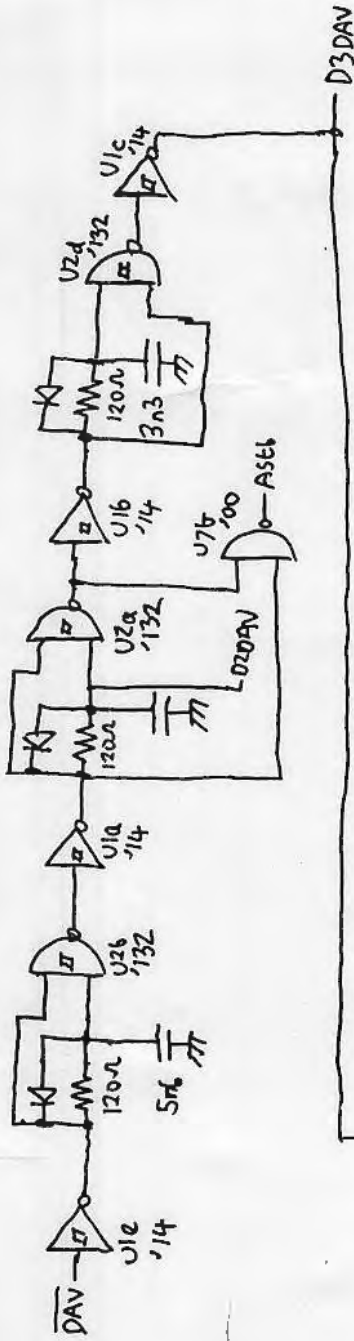
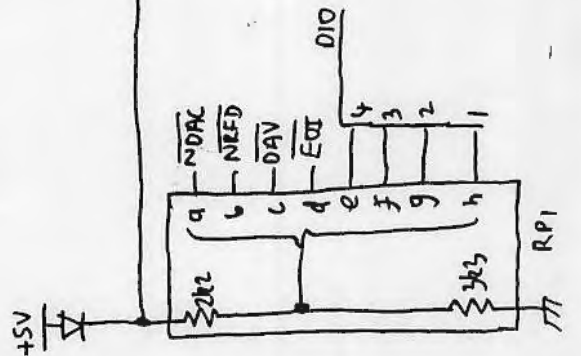
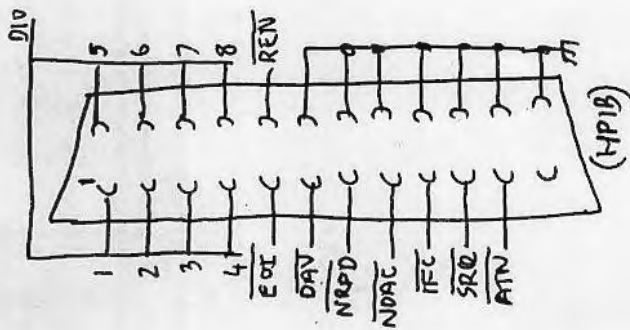
Digit 1



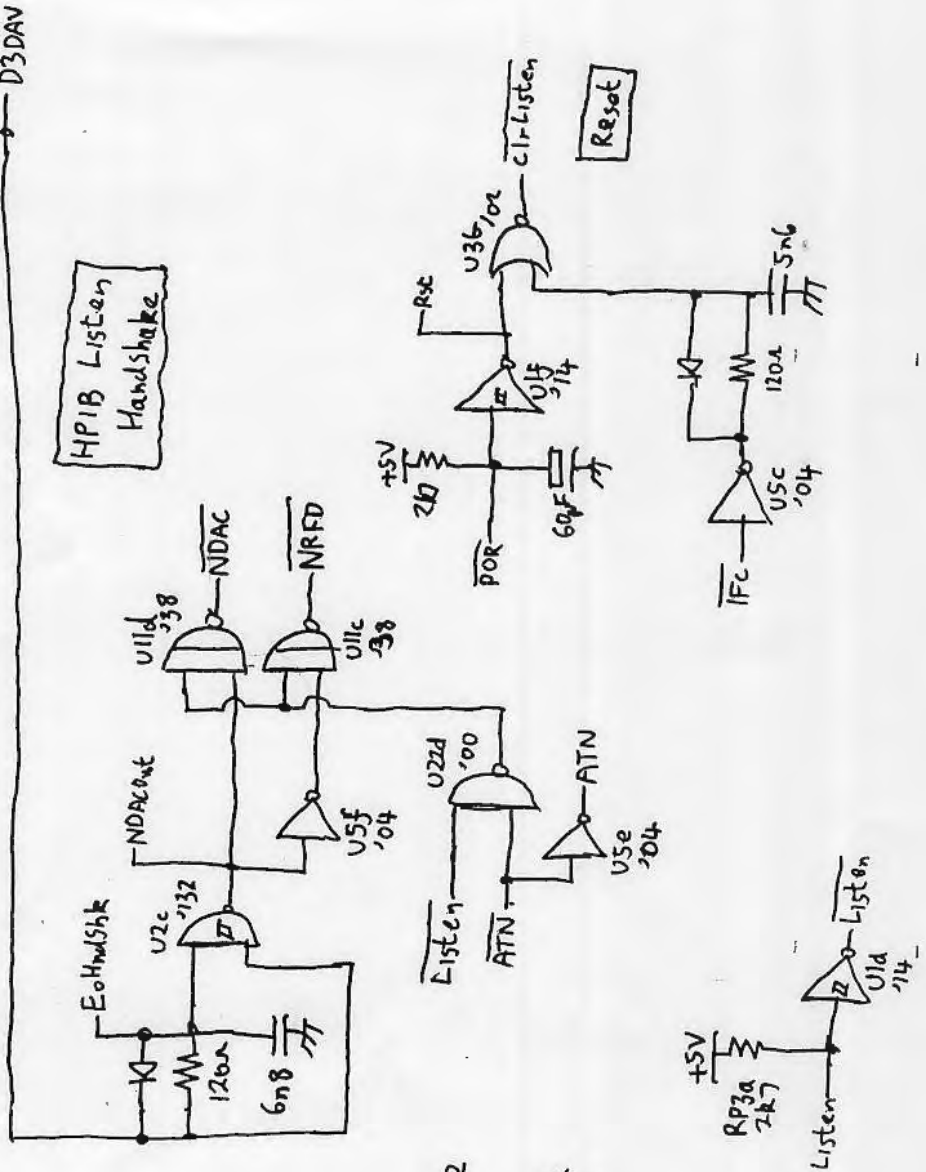
Digit 12

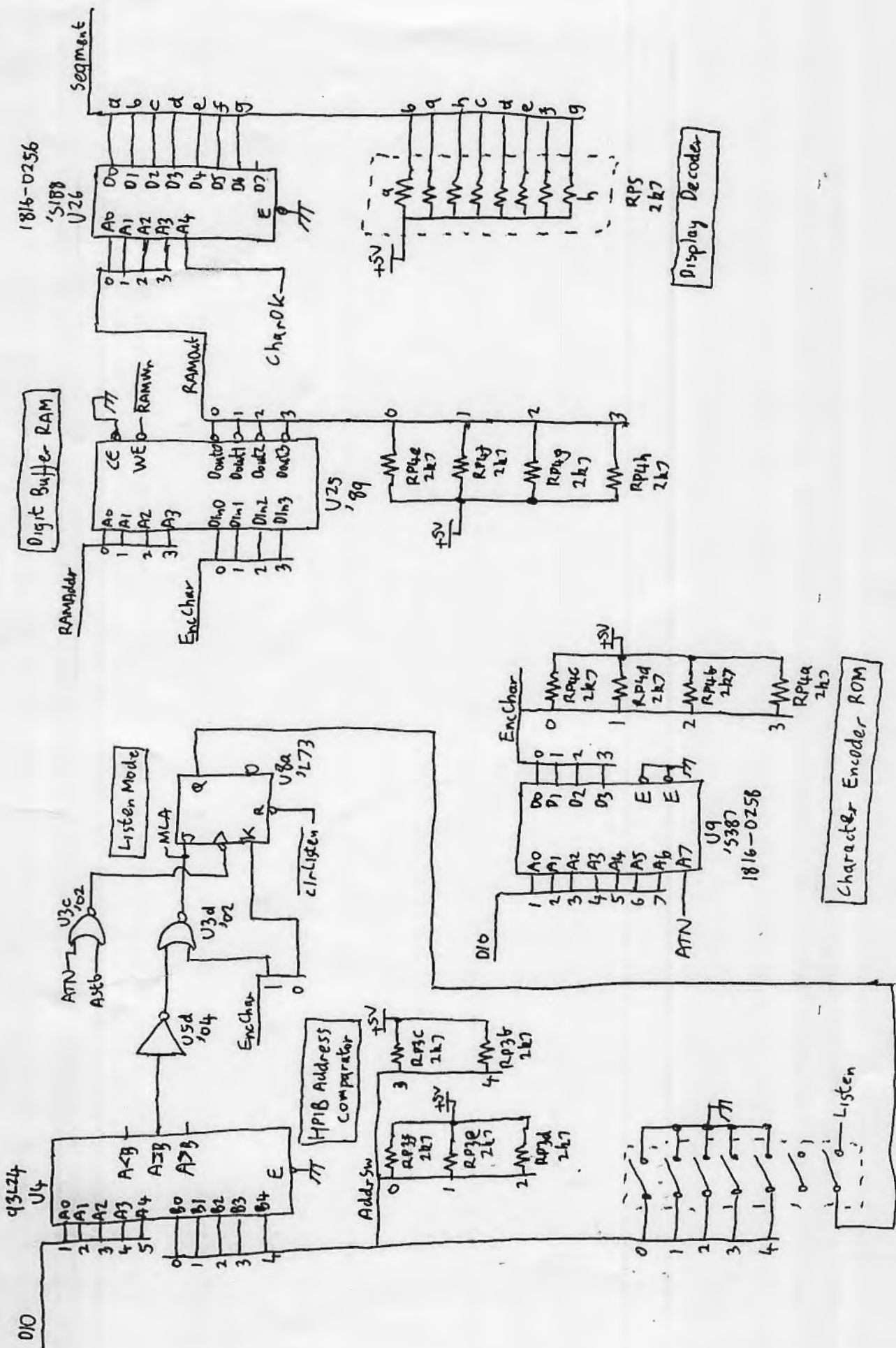


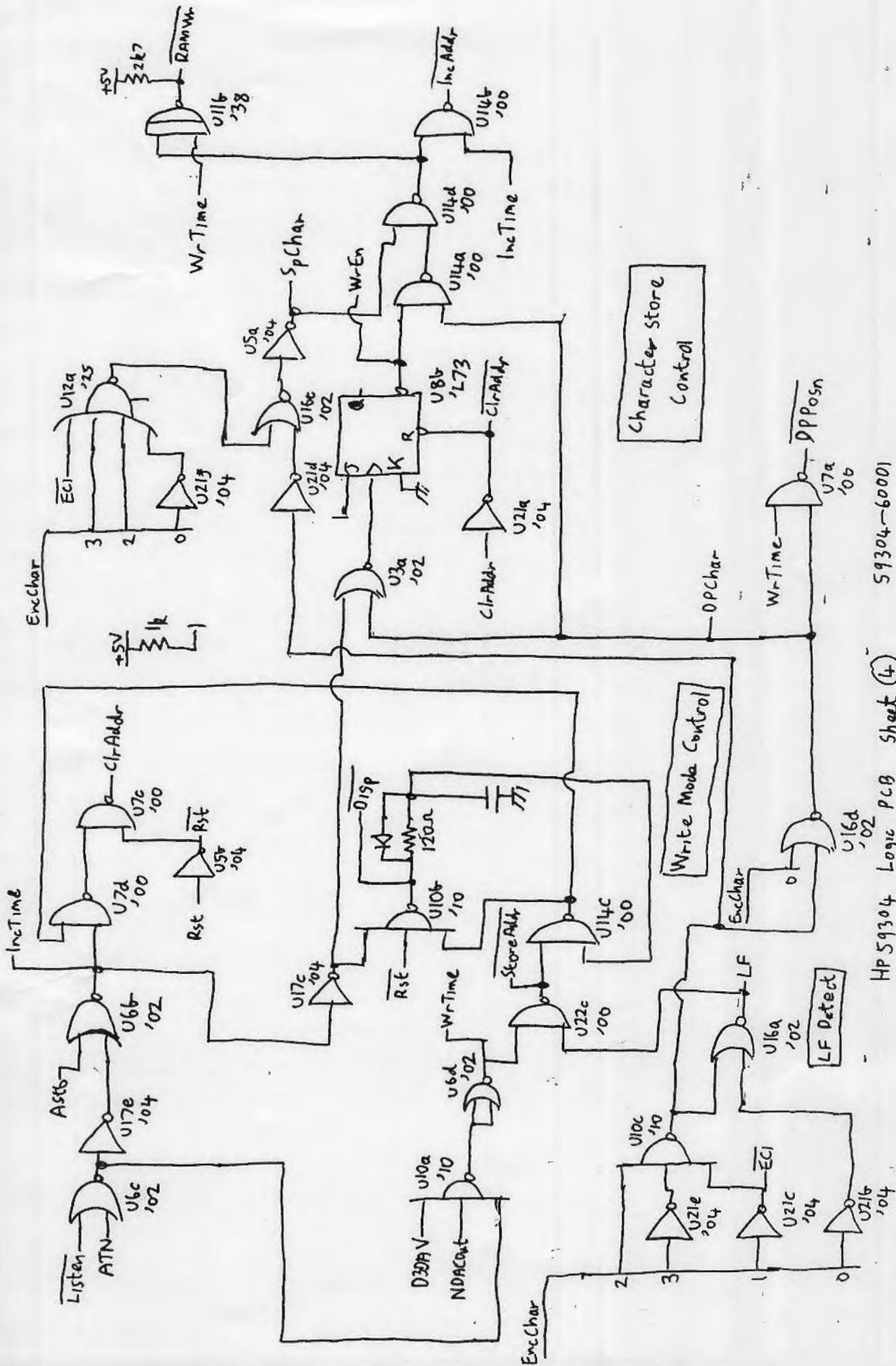


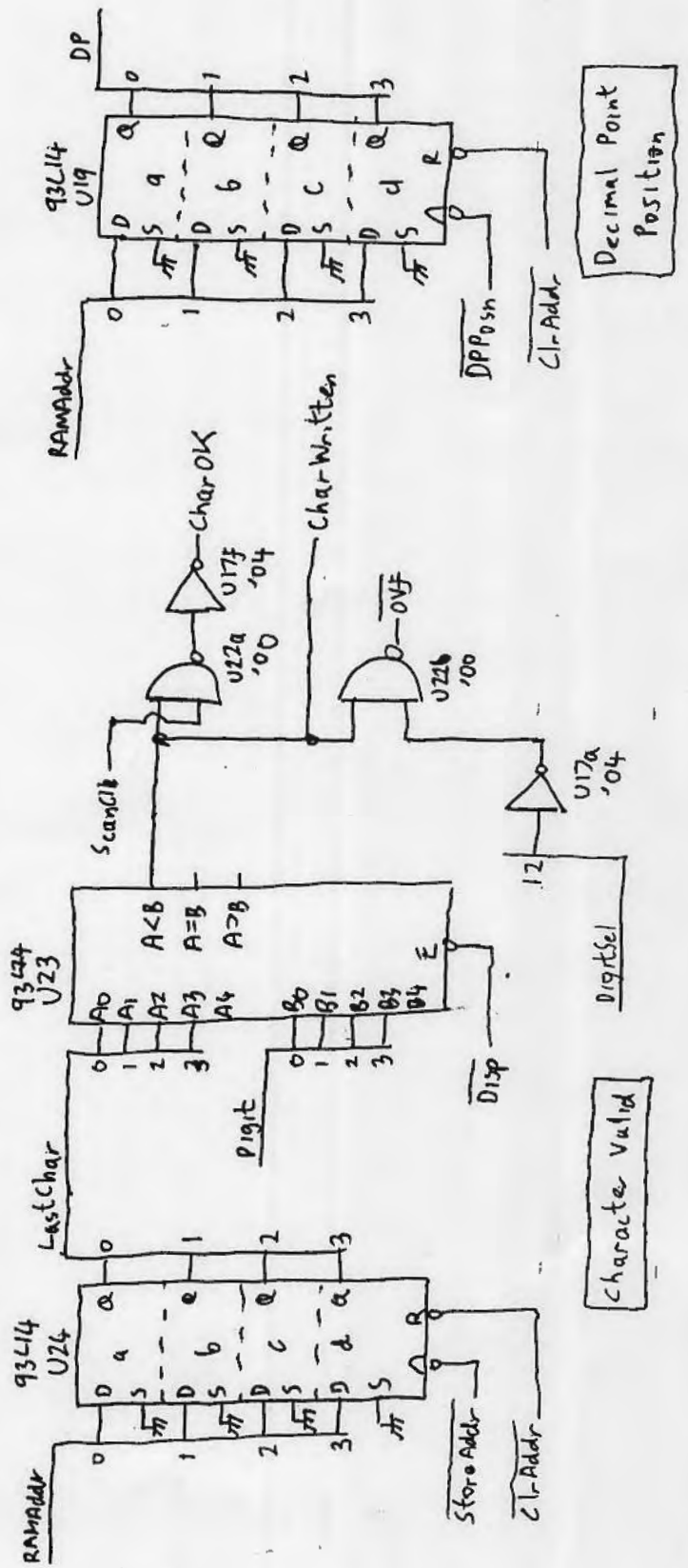
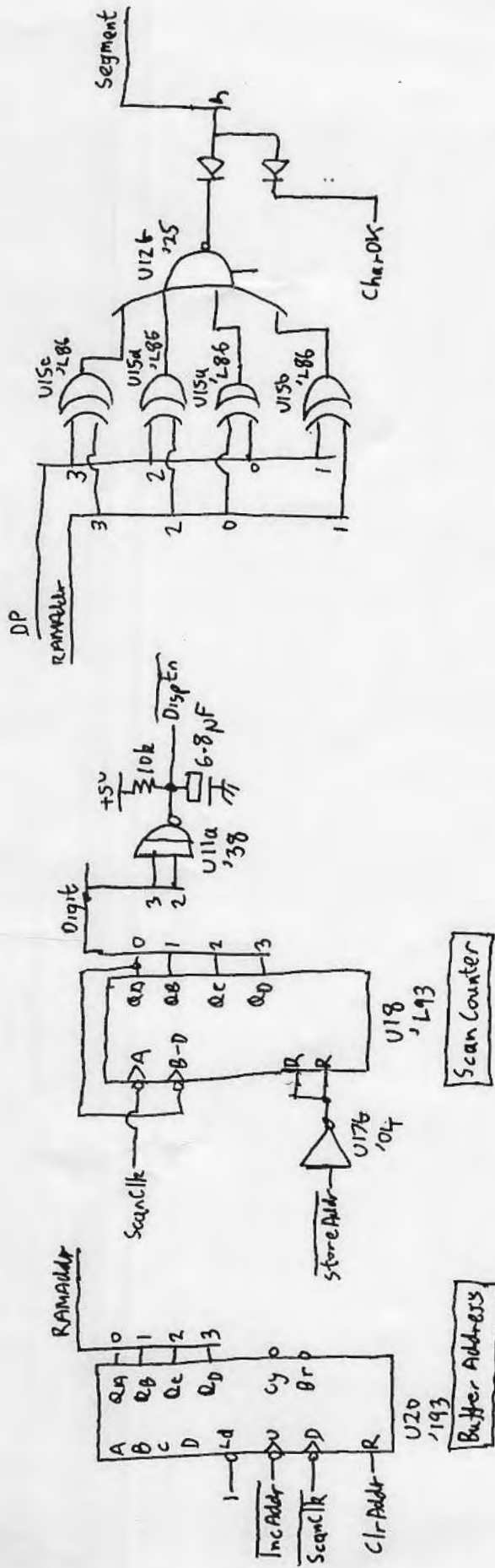


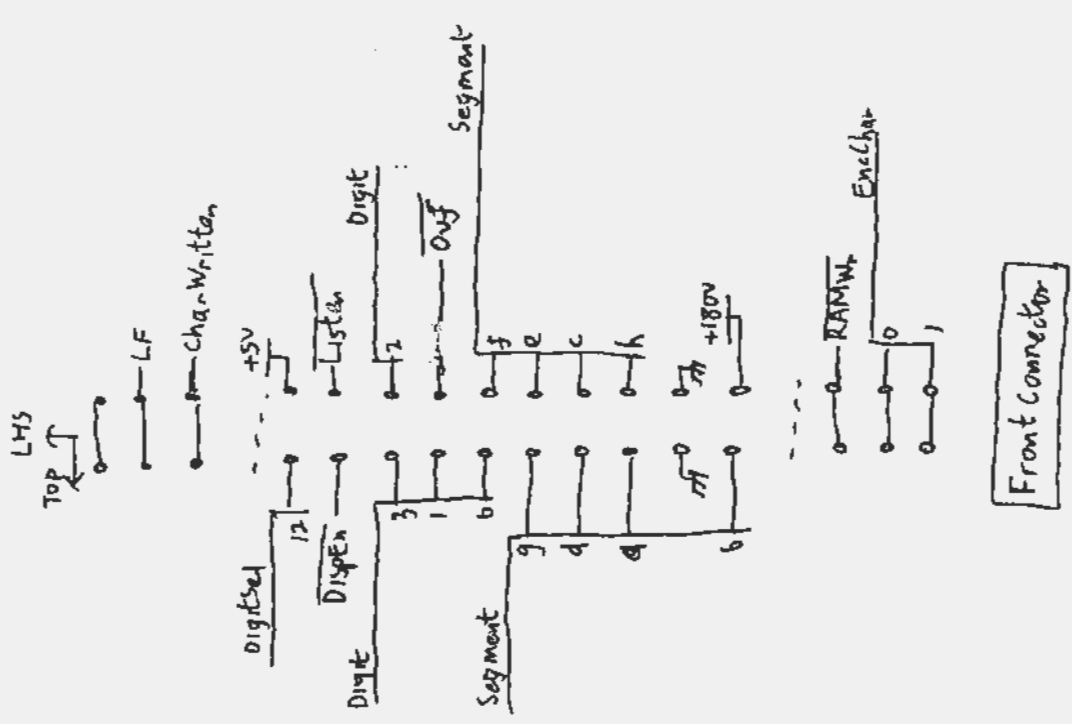
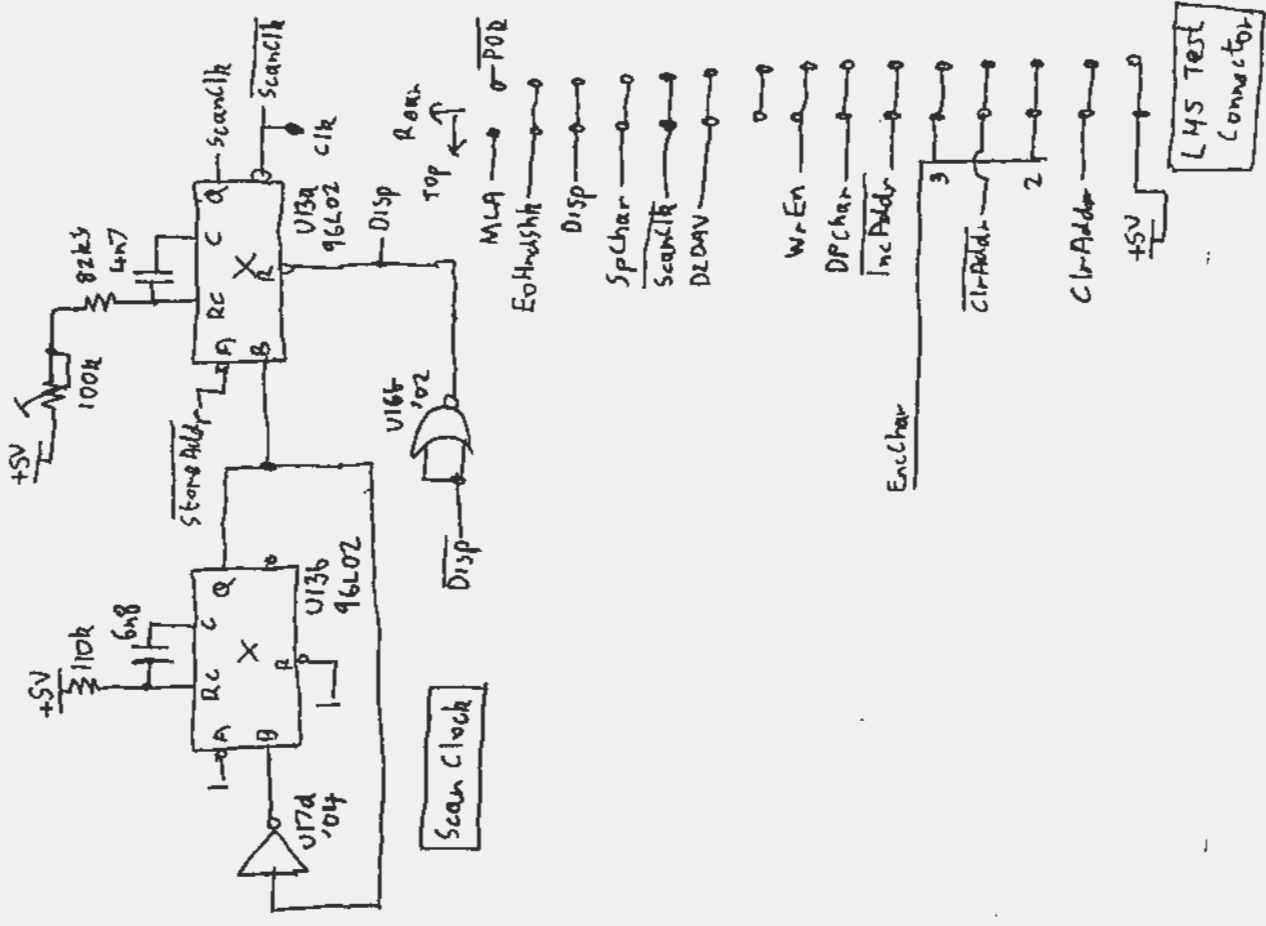
HP1B Listen Handshake

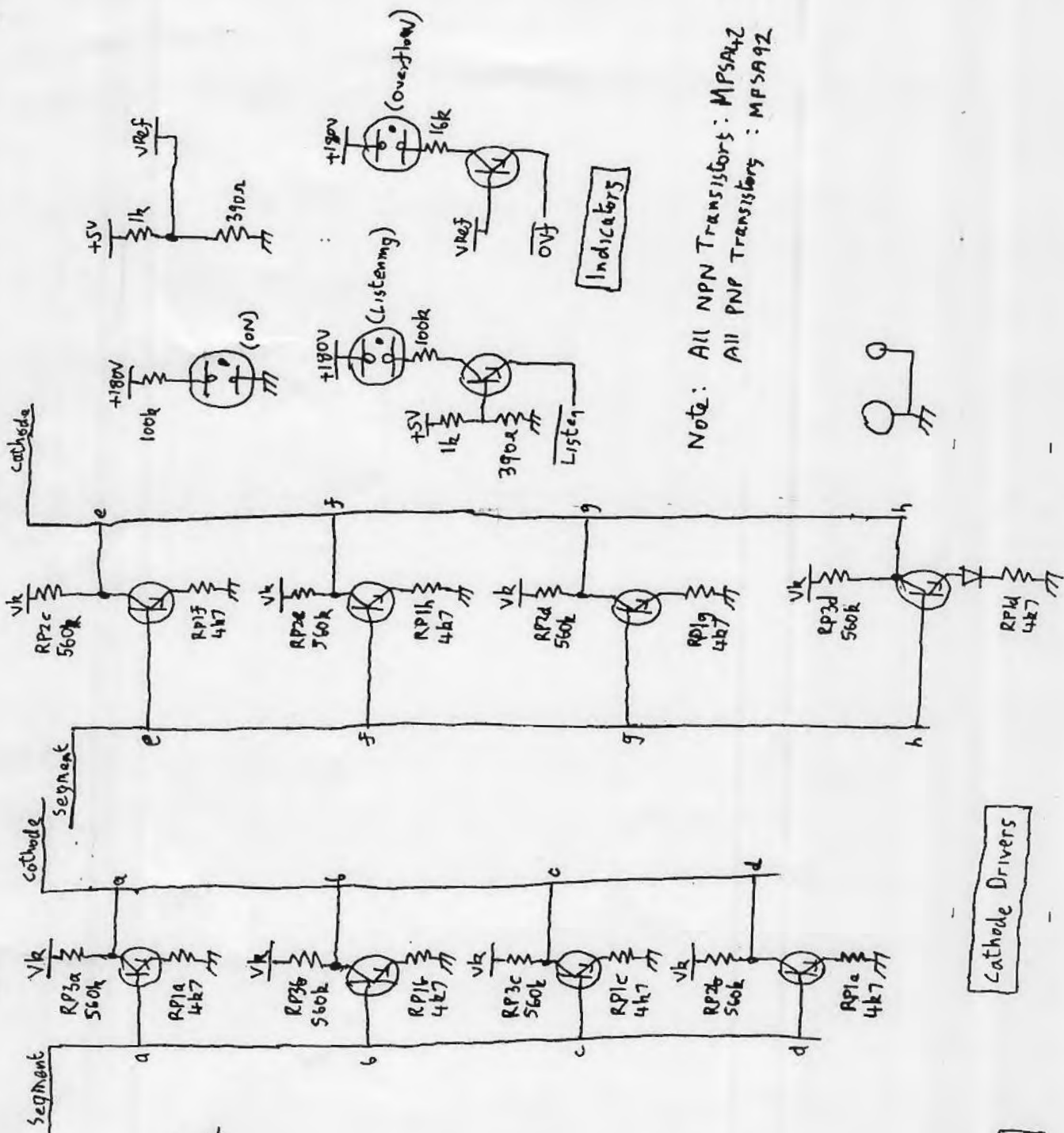








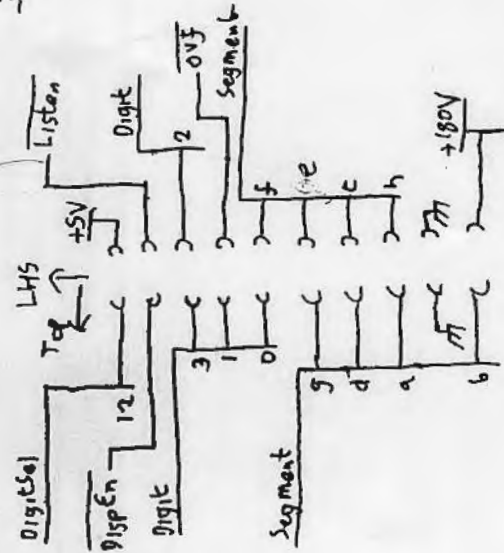




Note: All NPN Transistors: MPSA42
All PNP Transistors: MPSA92

Cathode Drivers

Digit select



(Logic PCB)

