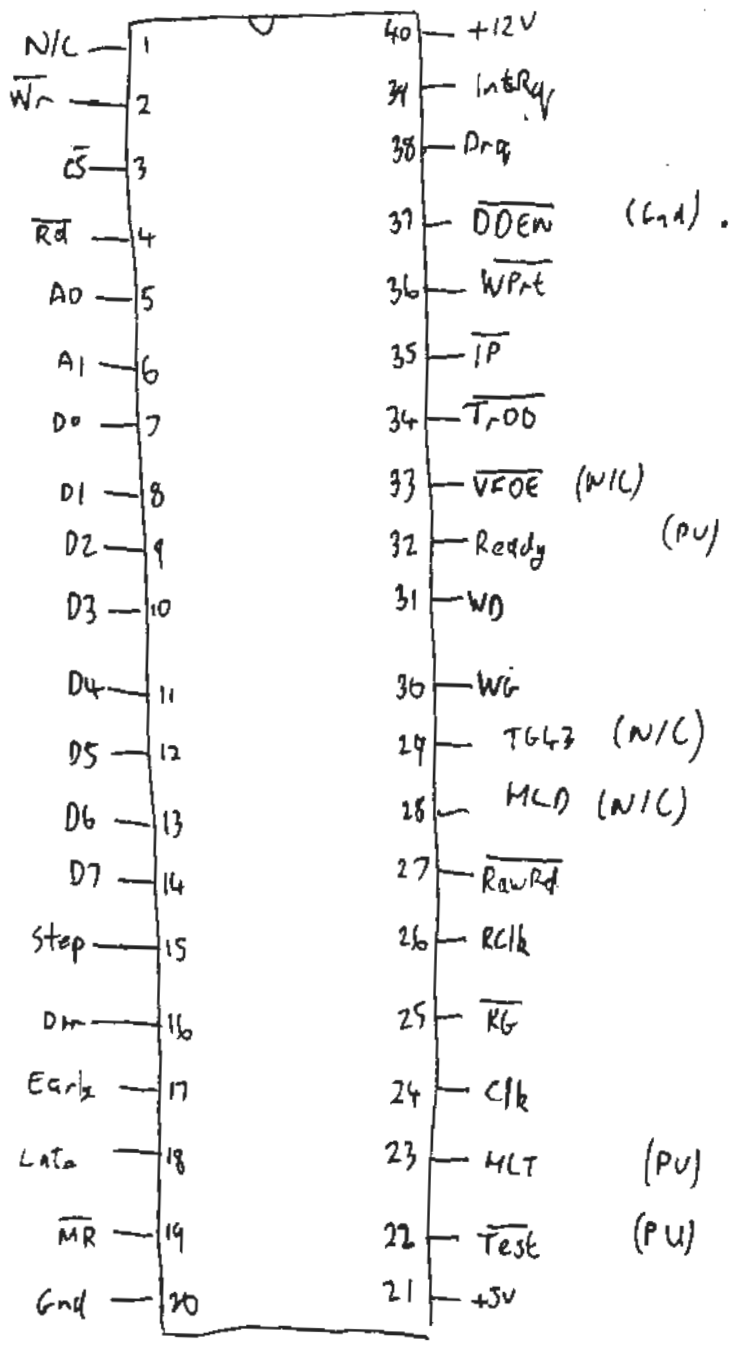
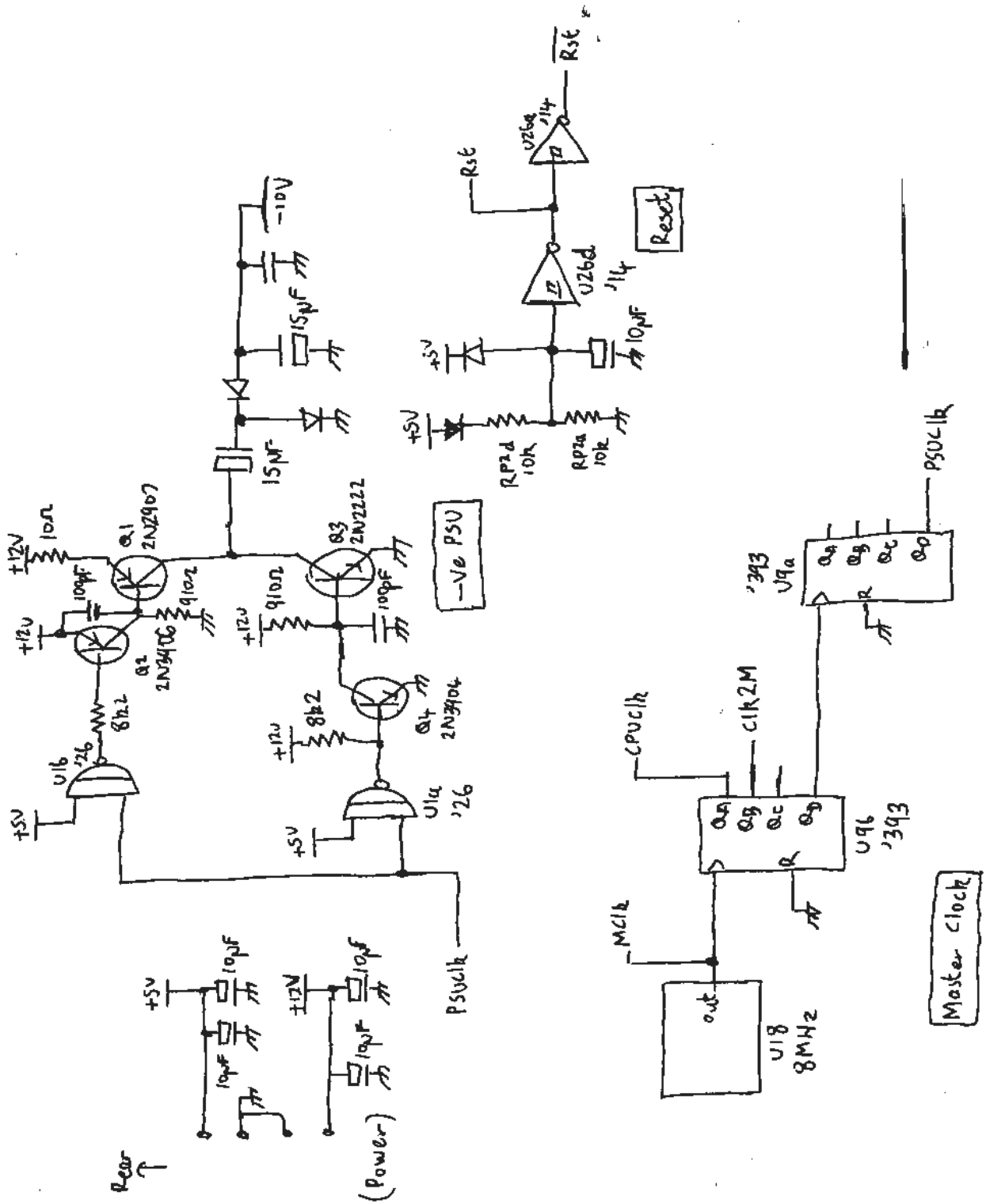
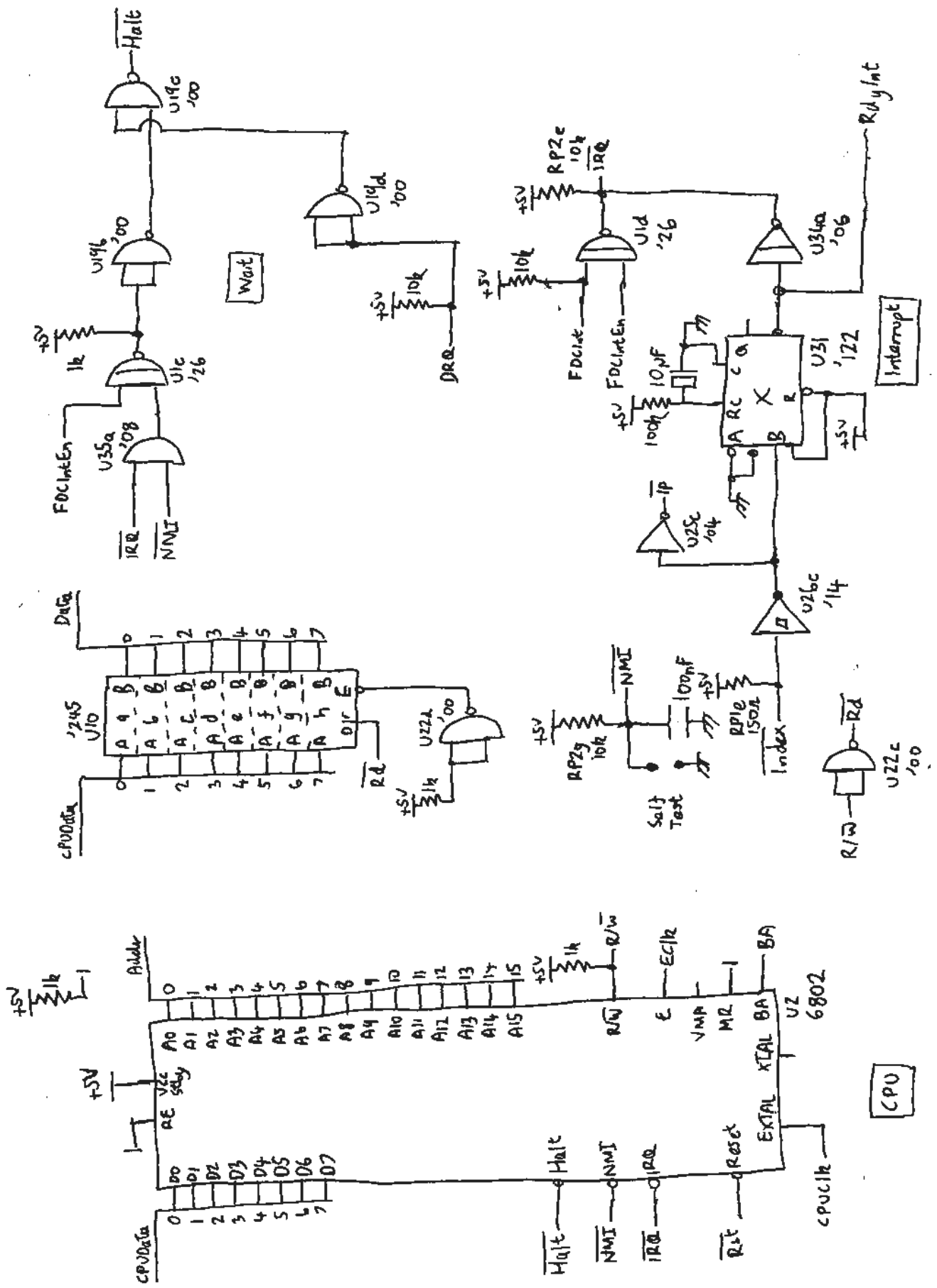
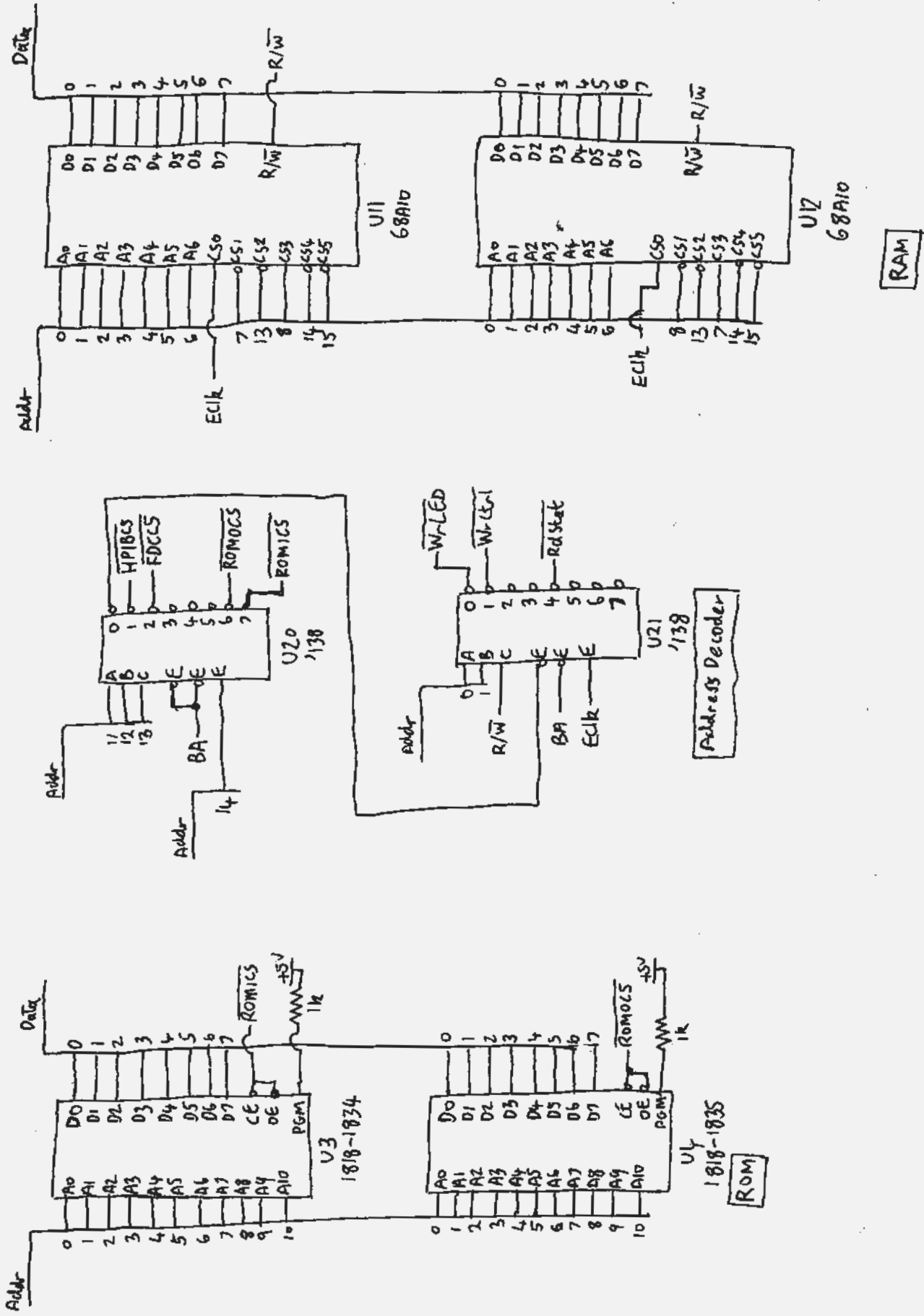


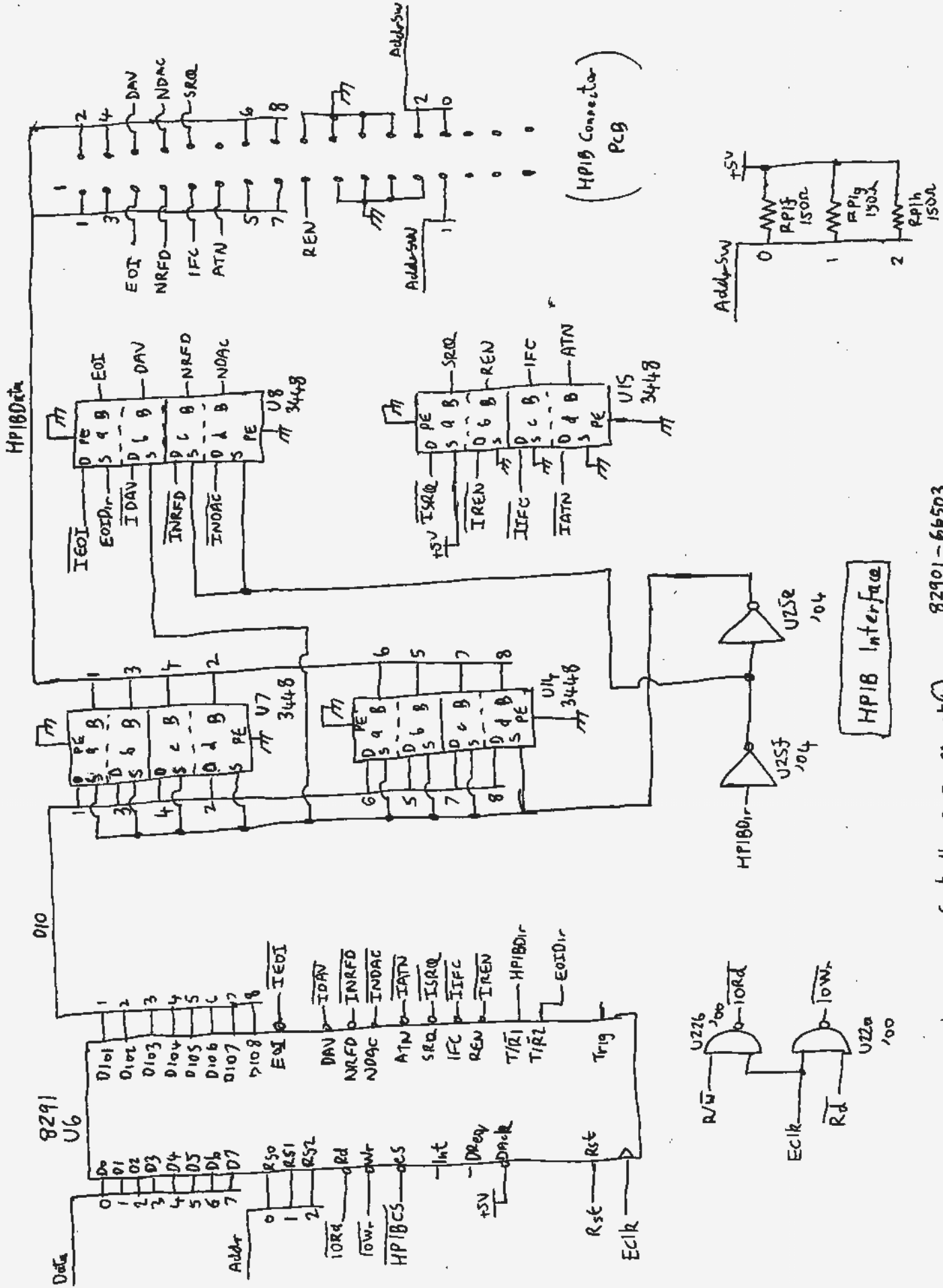
MB8866

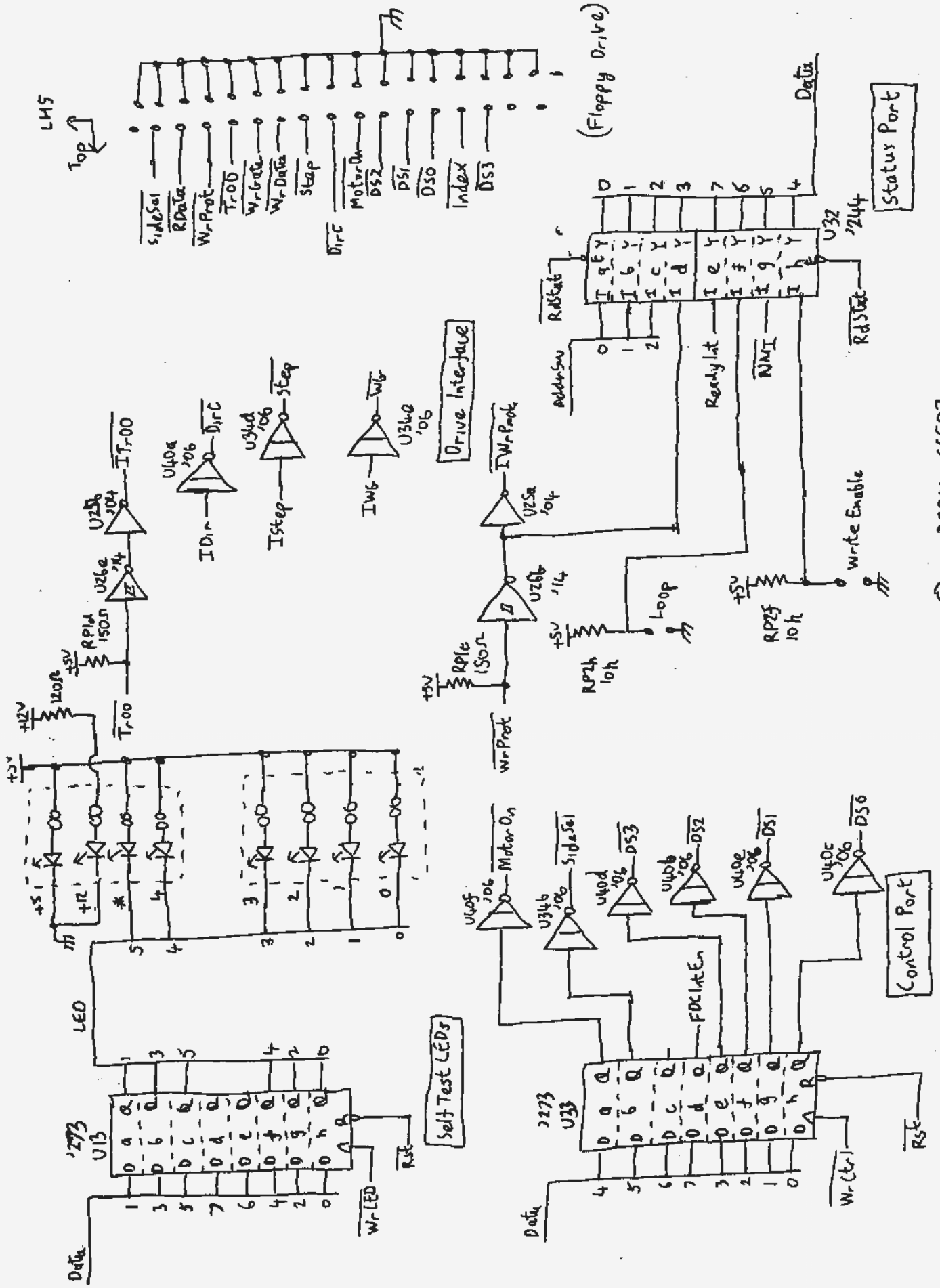


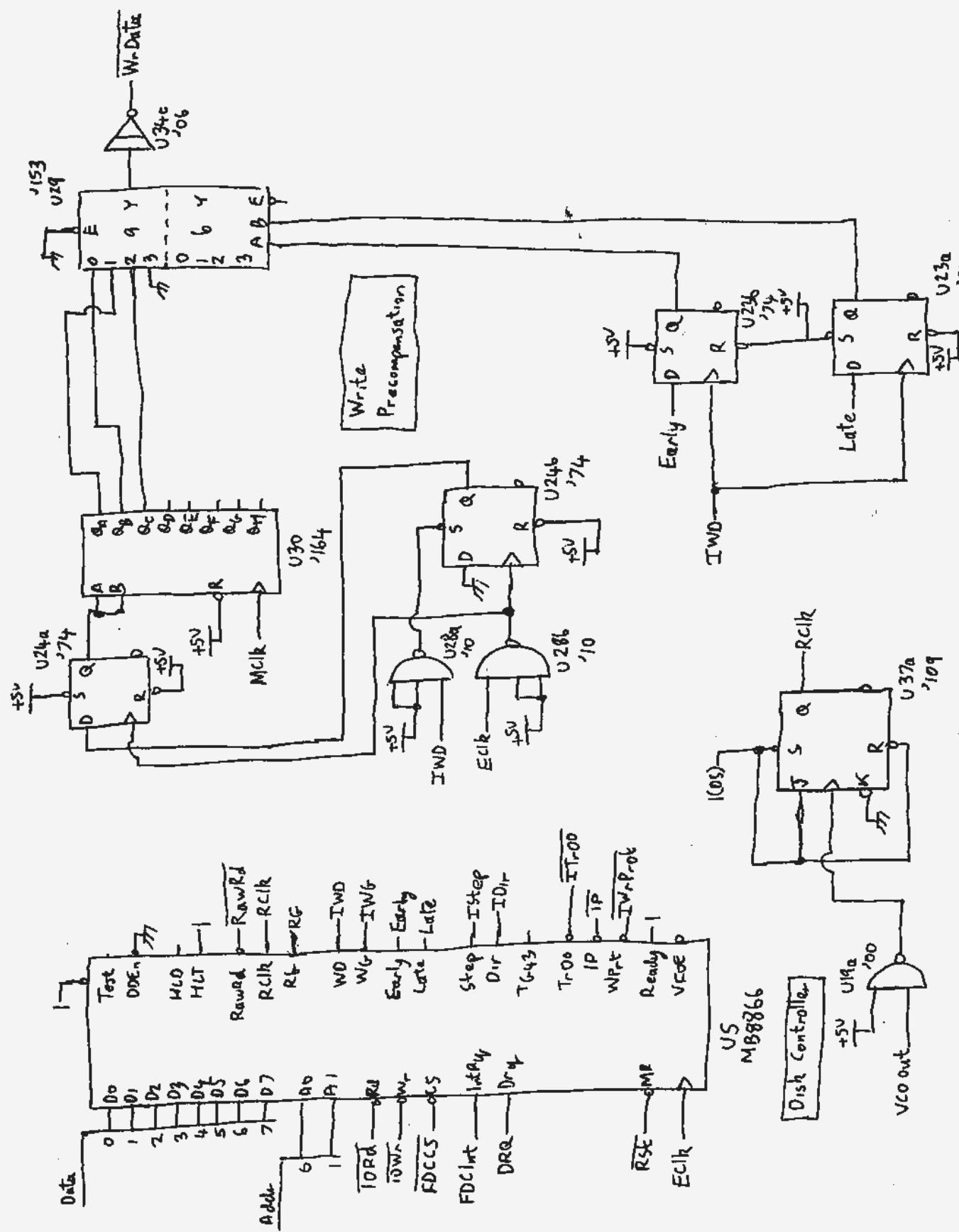


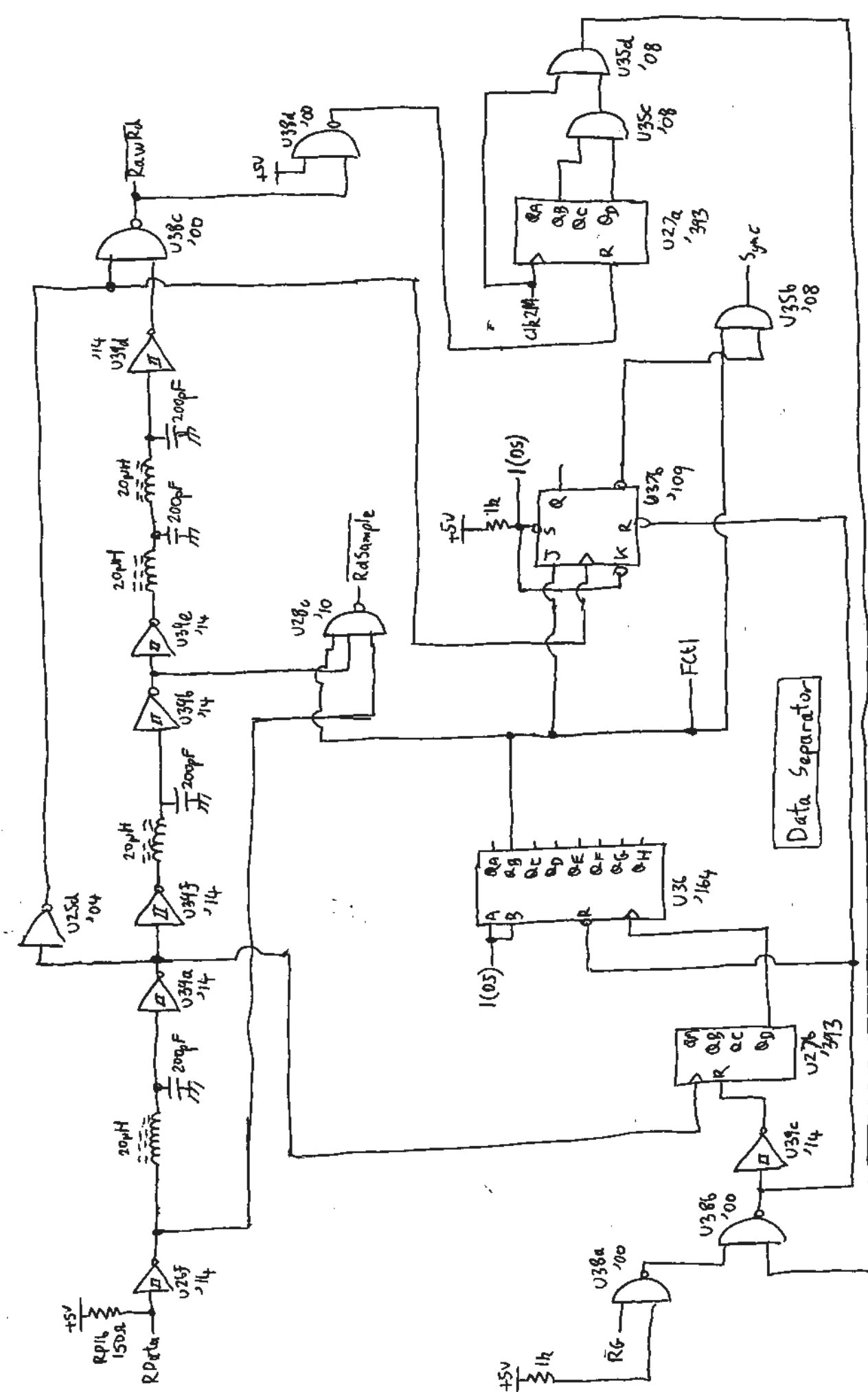


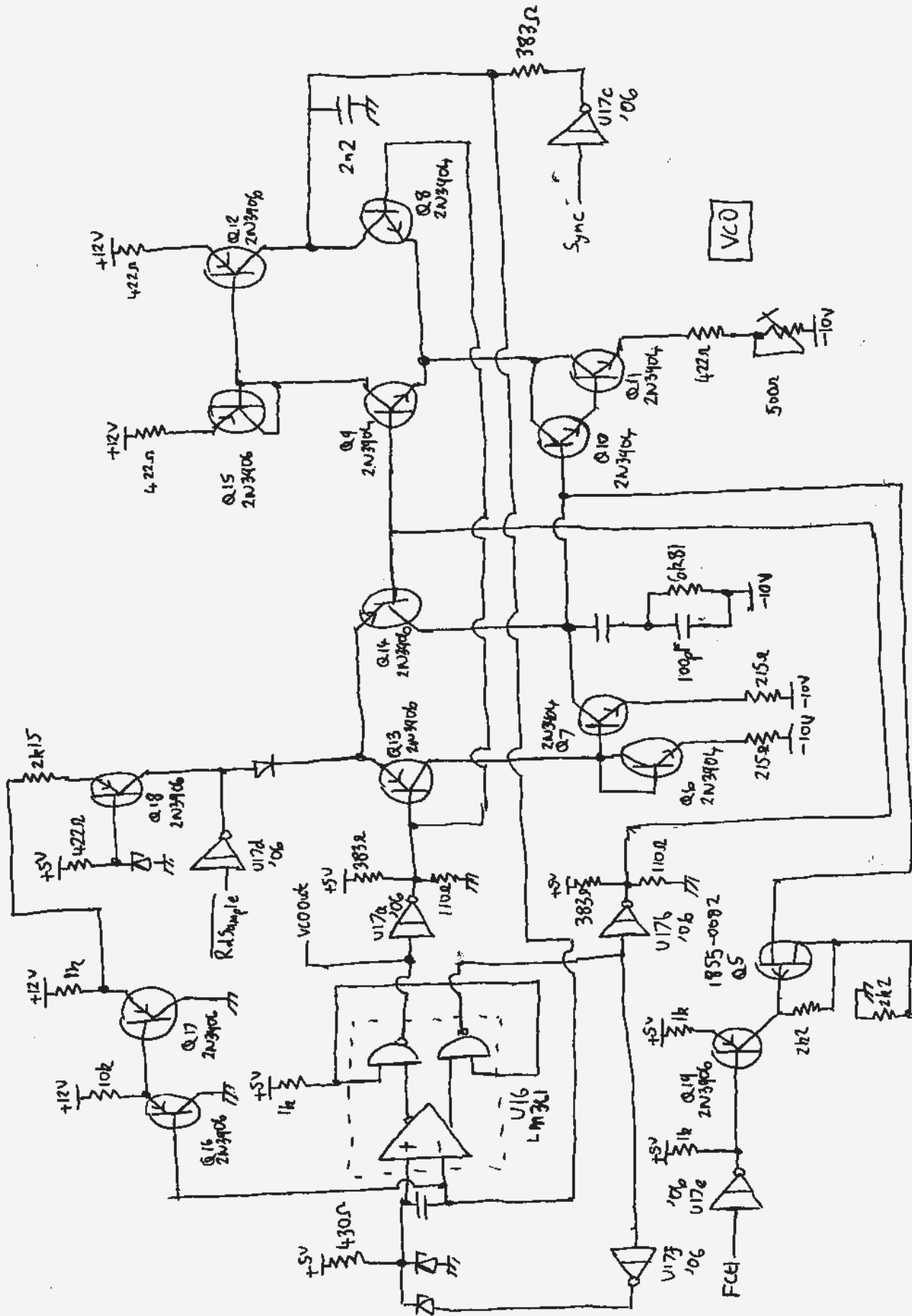








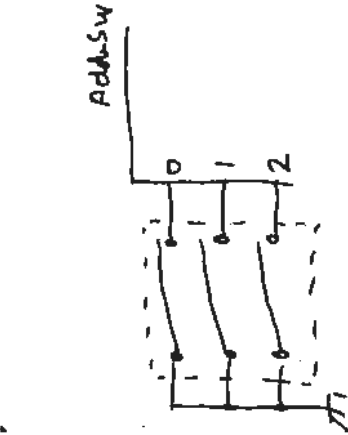
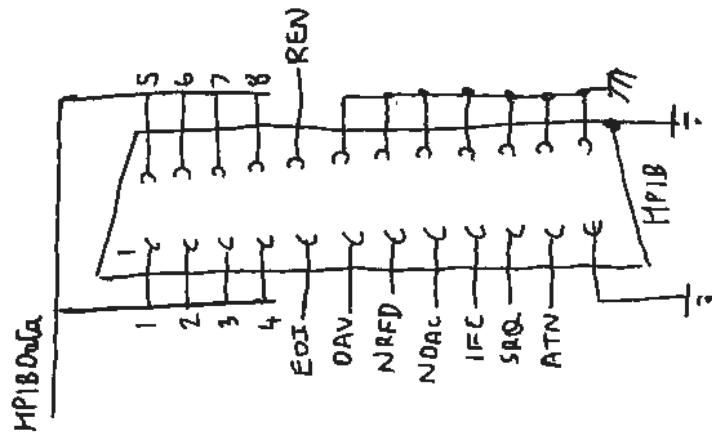
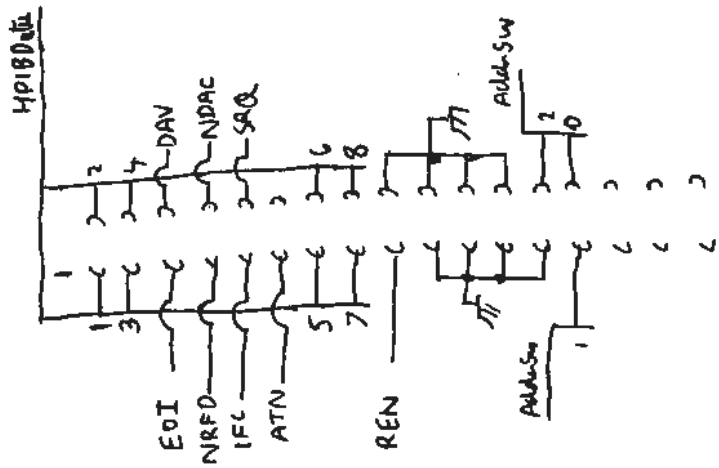


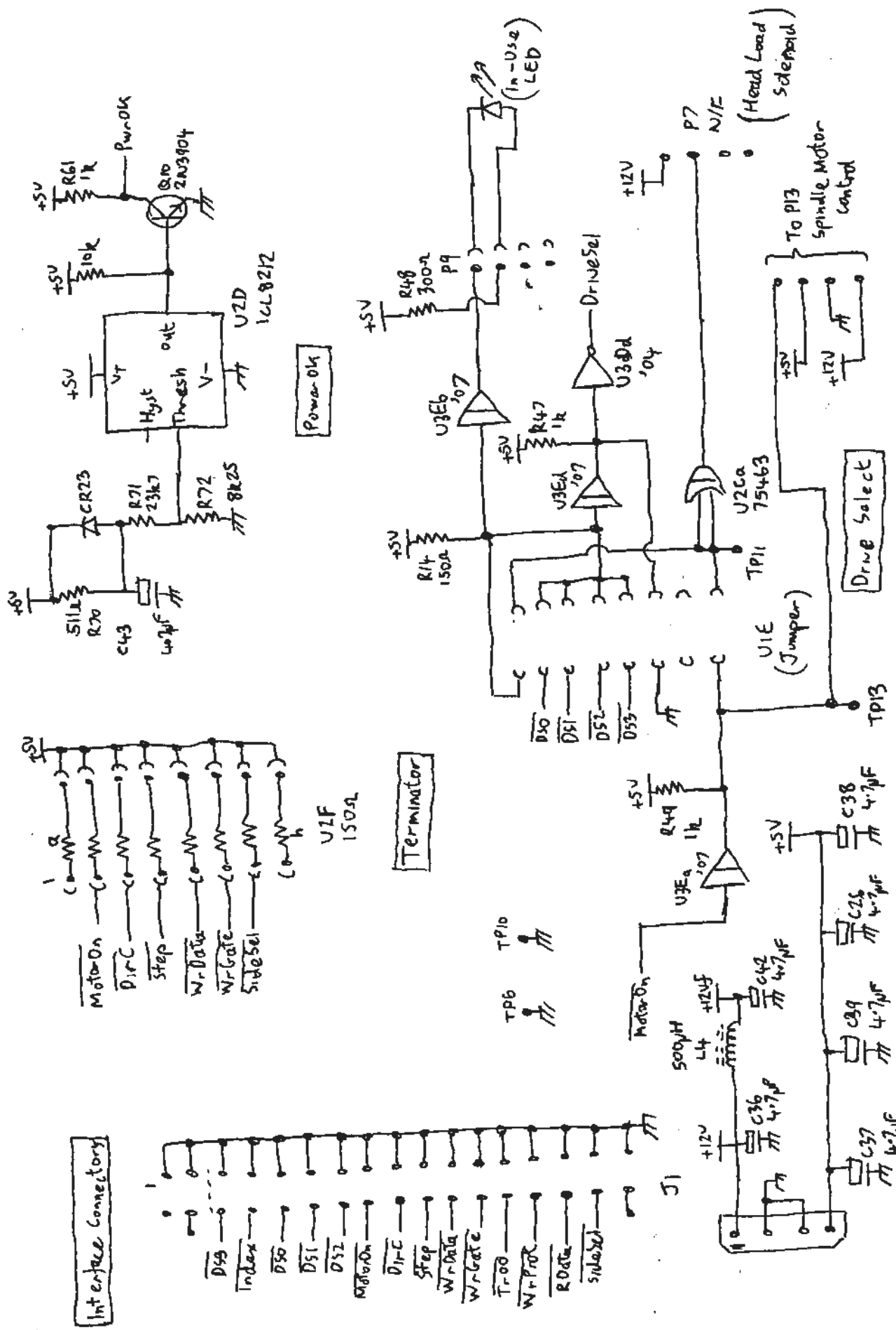


82901-66503

Sheet 8

HP82901 Controller PCB





Interface Connector

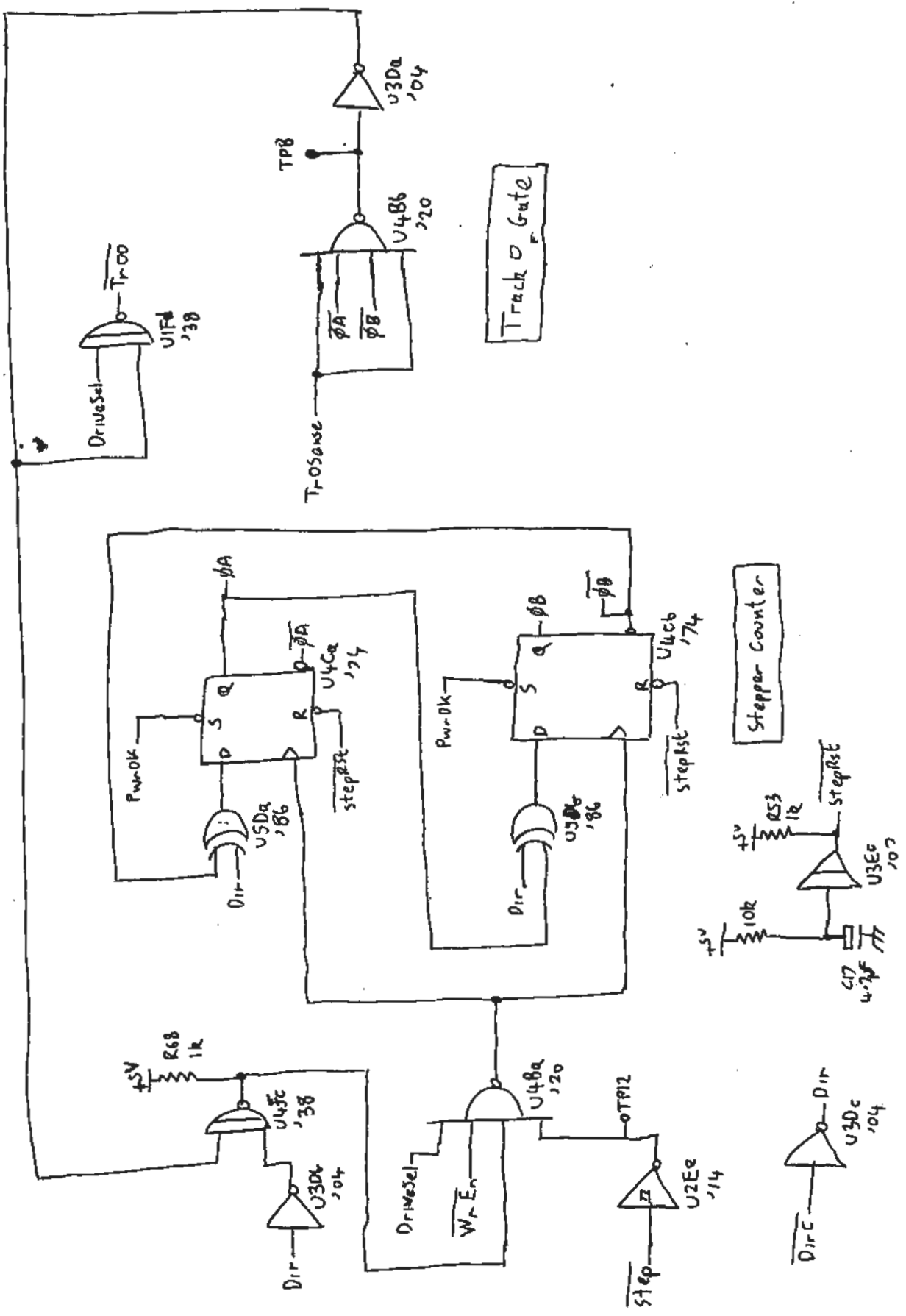
Power-04

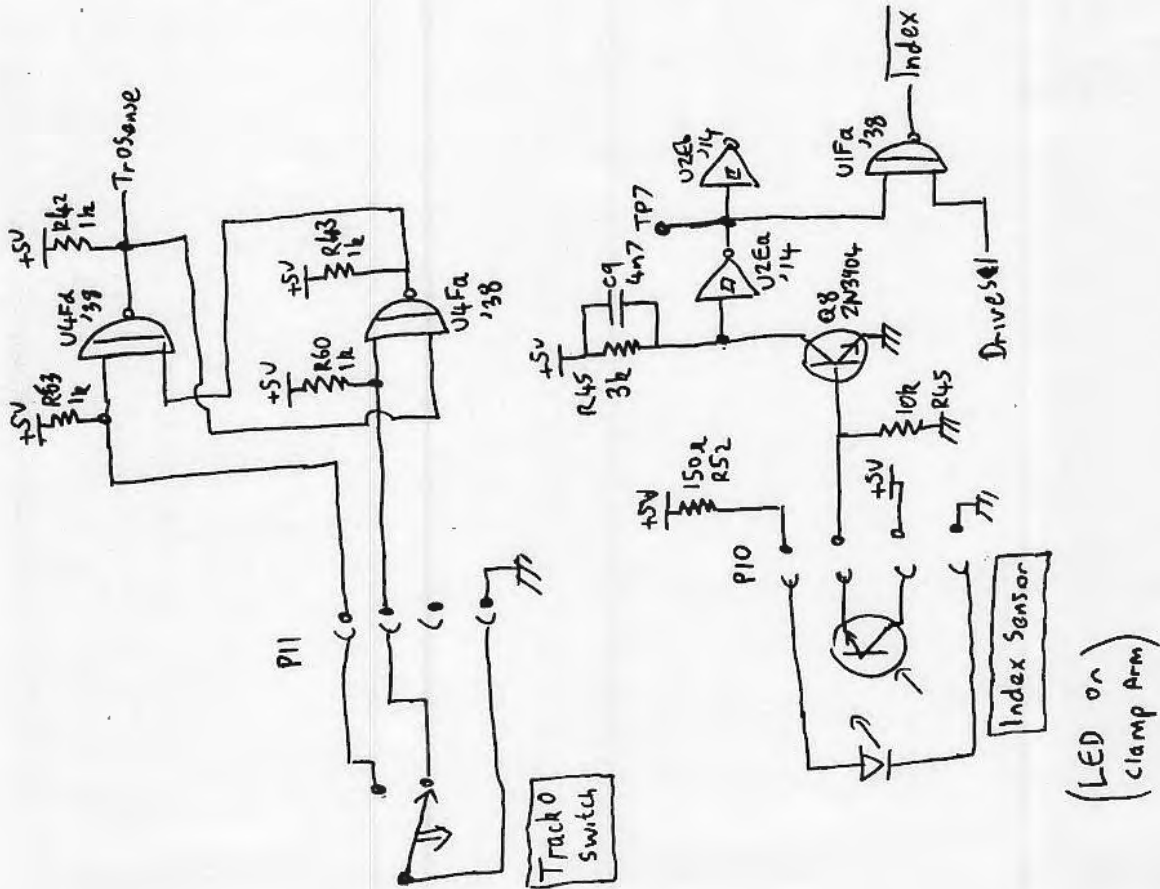
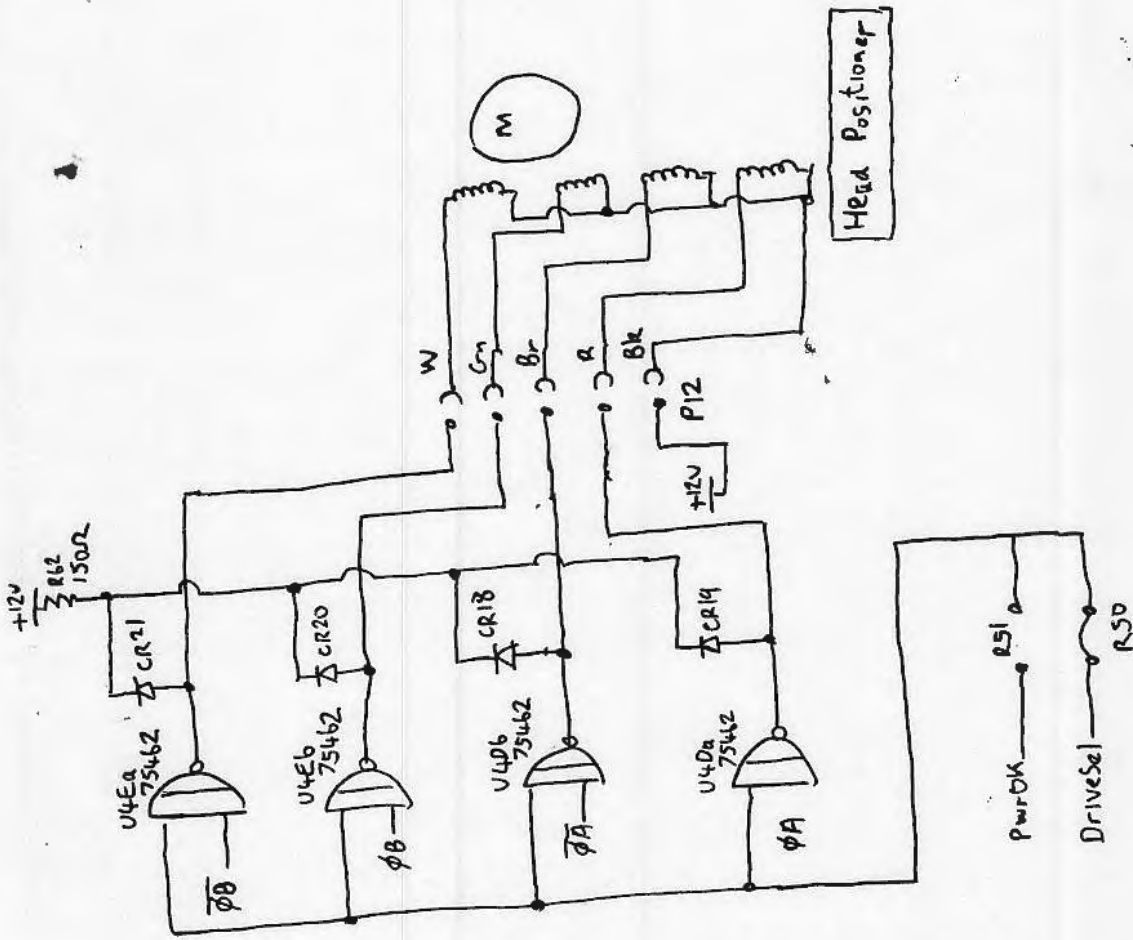
Terminator

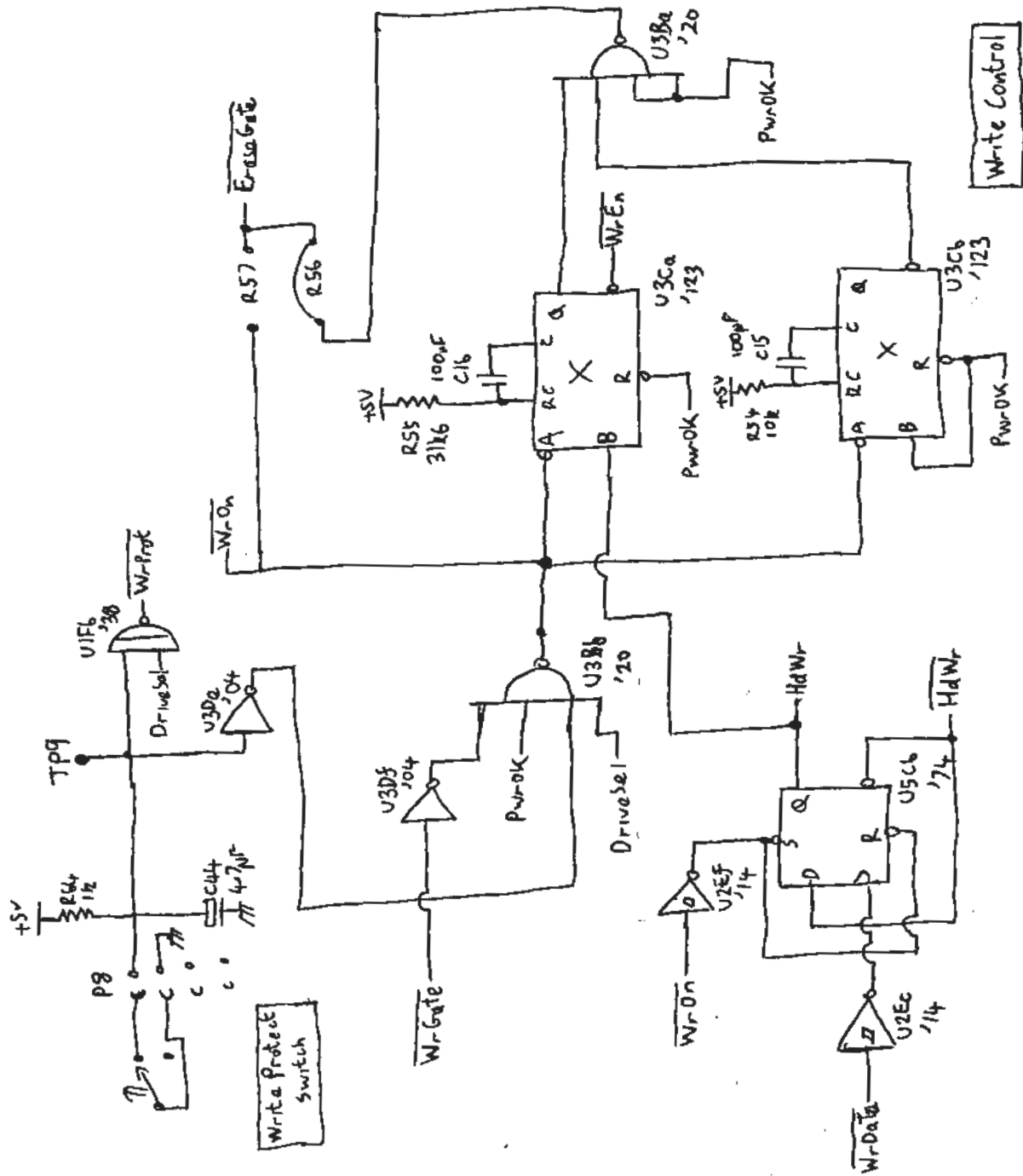
Drive Select

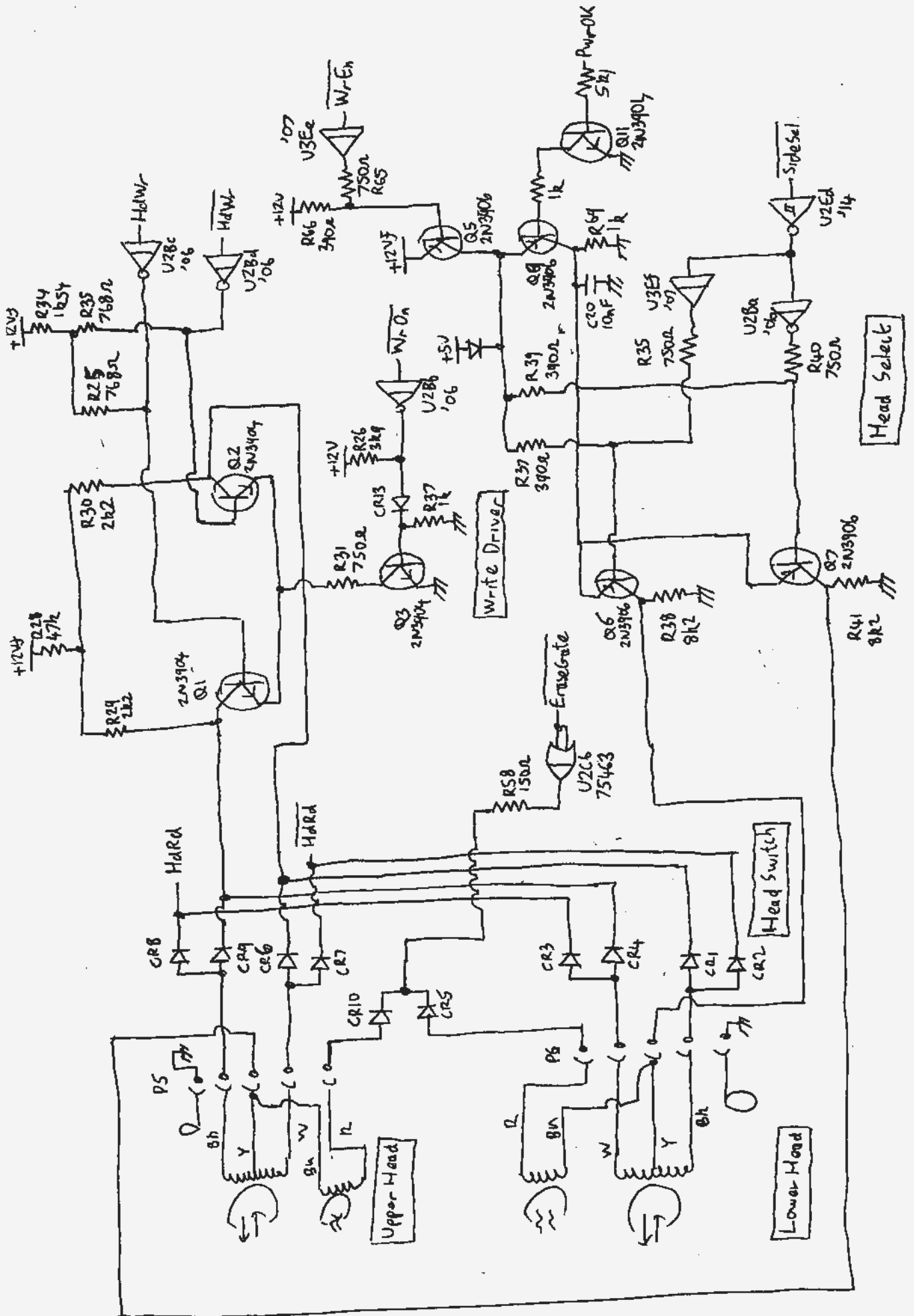
09130-66501

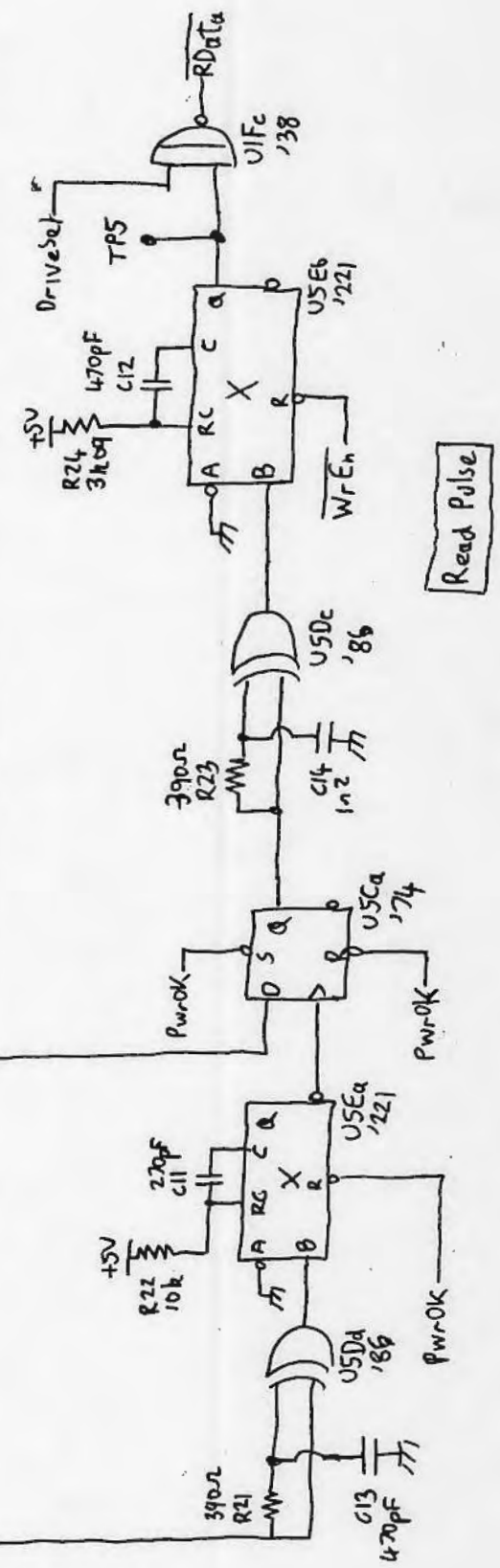
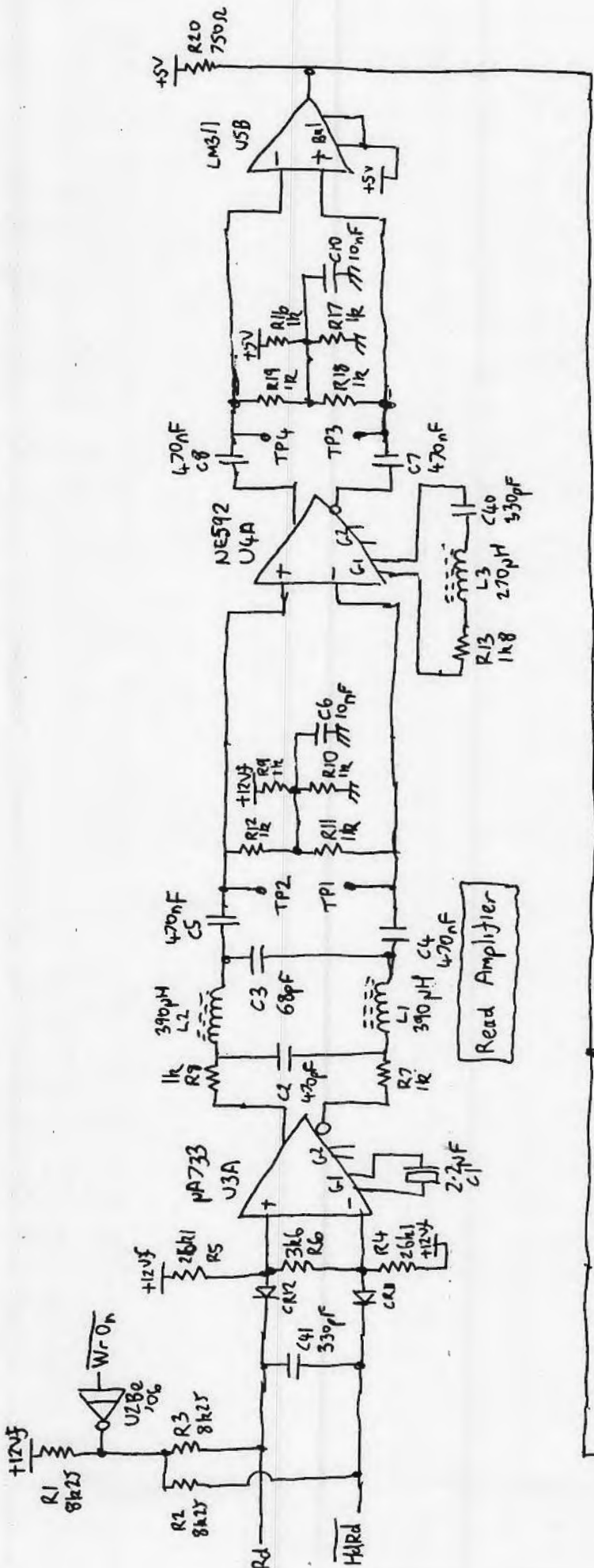
HP9130 Disk Drive Logic PCB Sheet ①

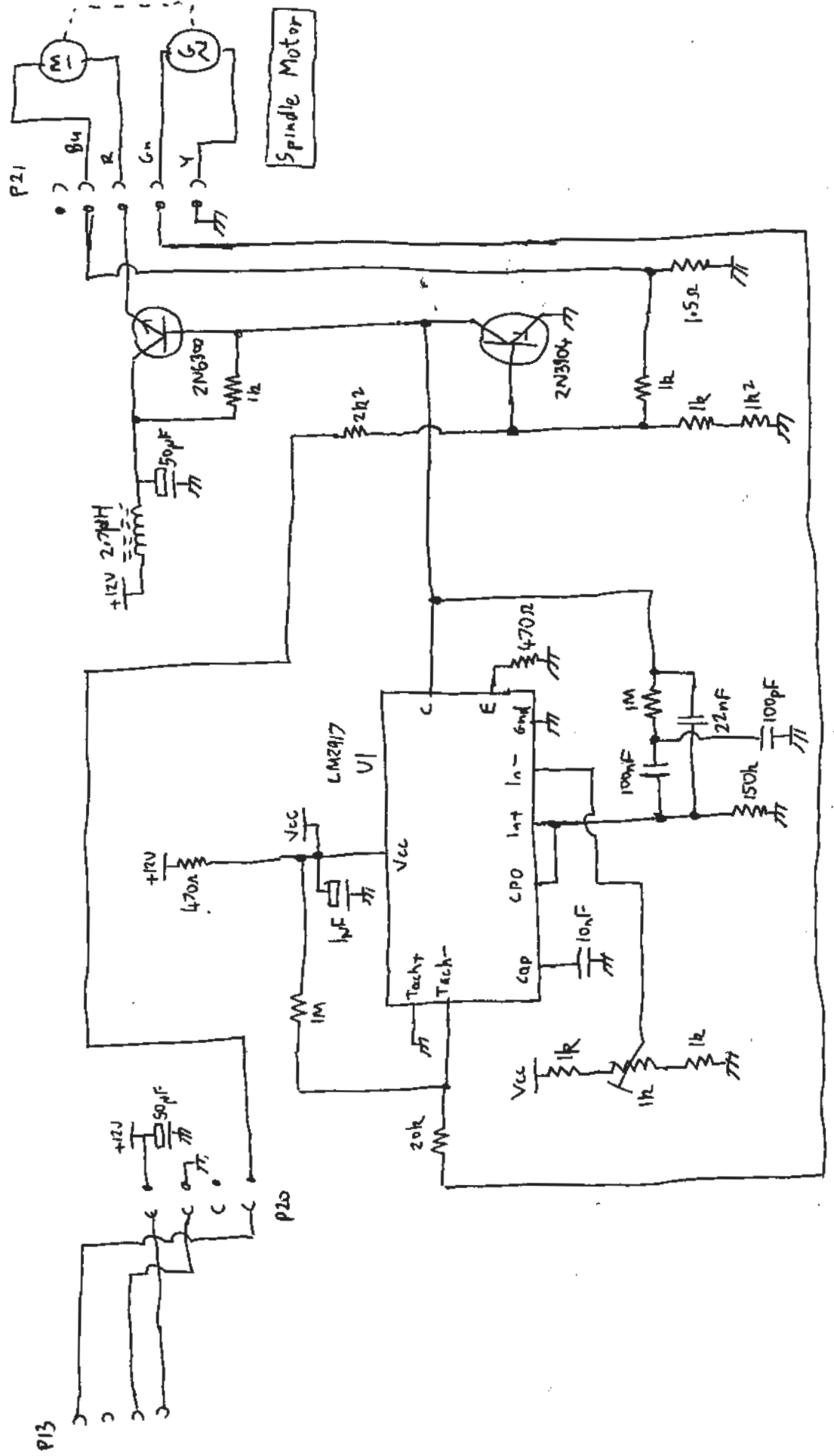












09130-66S00

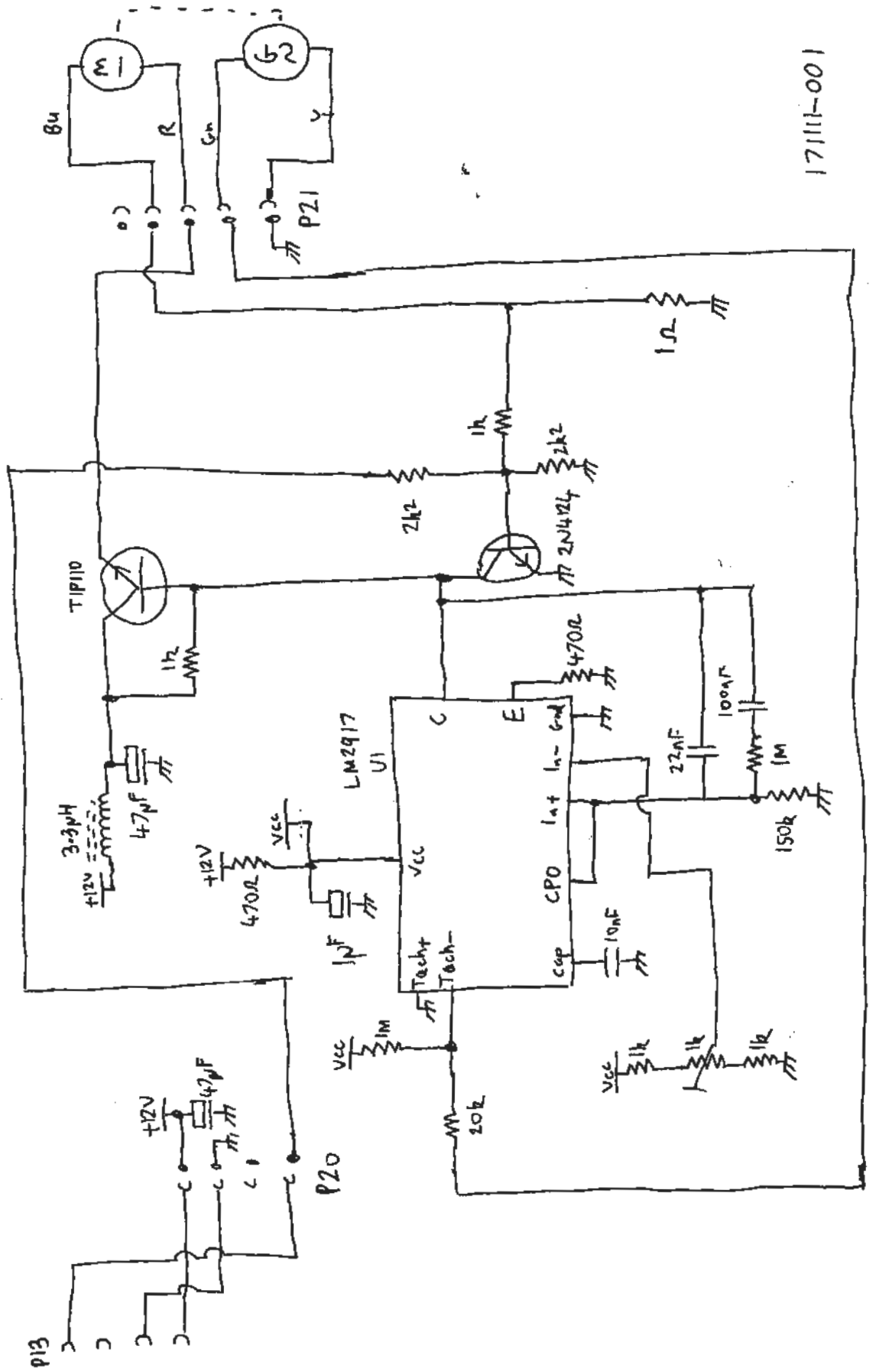
HP9130 Spindle Motor Control PCB

P13

P20

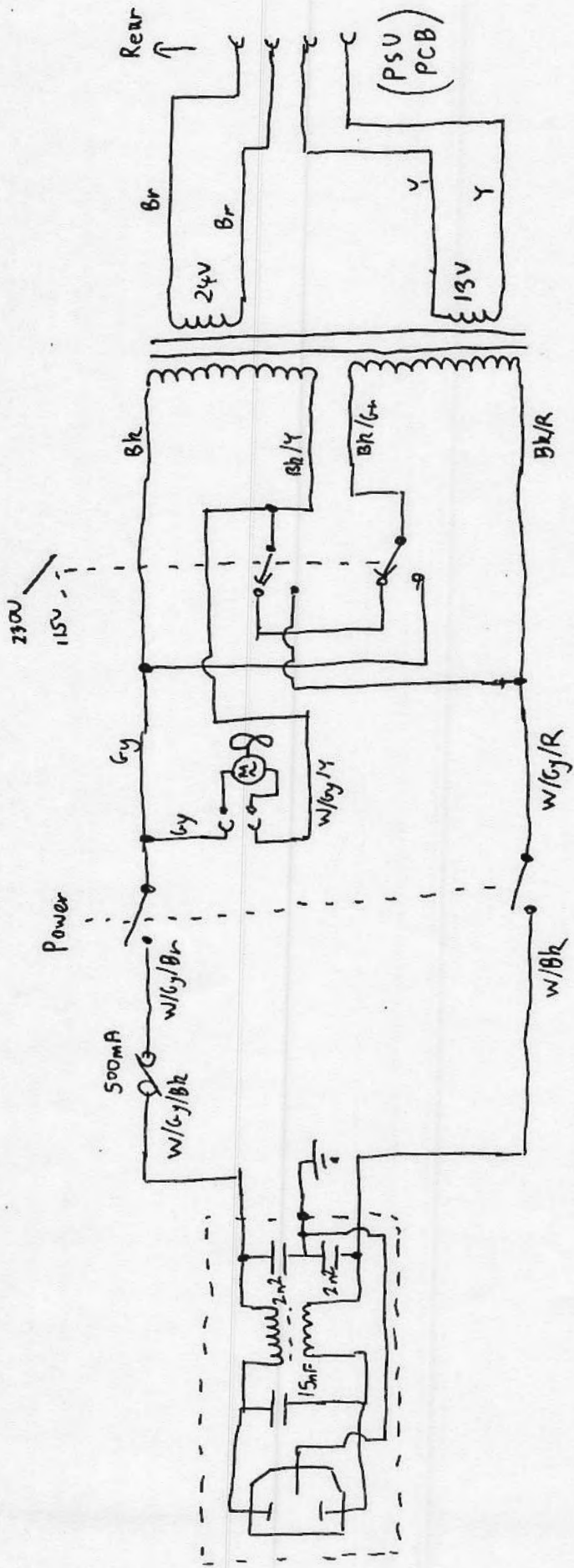
P21

Spindle Motor

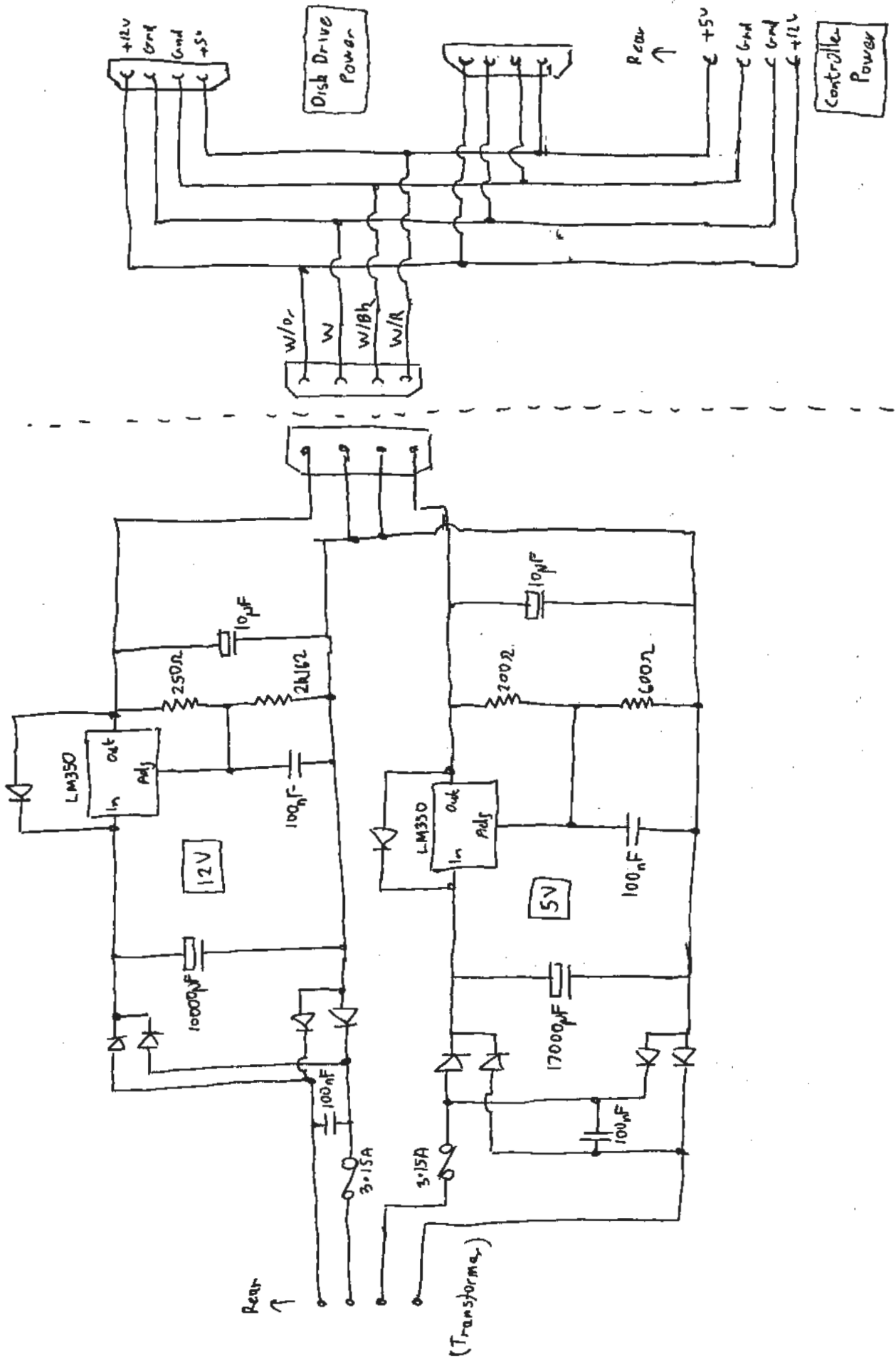


171111-001

HP9130 Spindle Motor Control PCB



HP82901 Transformer wiring.



82901 - 60001

HP82901 PSU PCB