

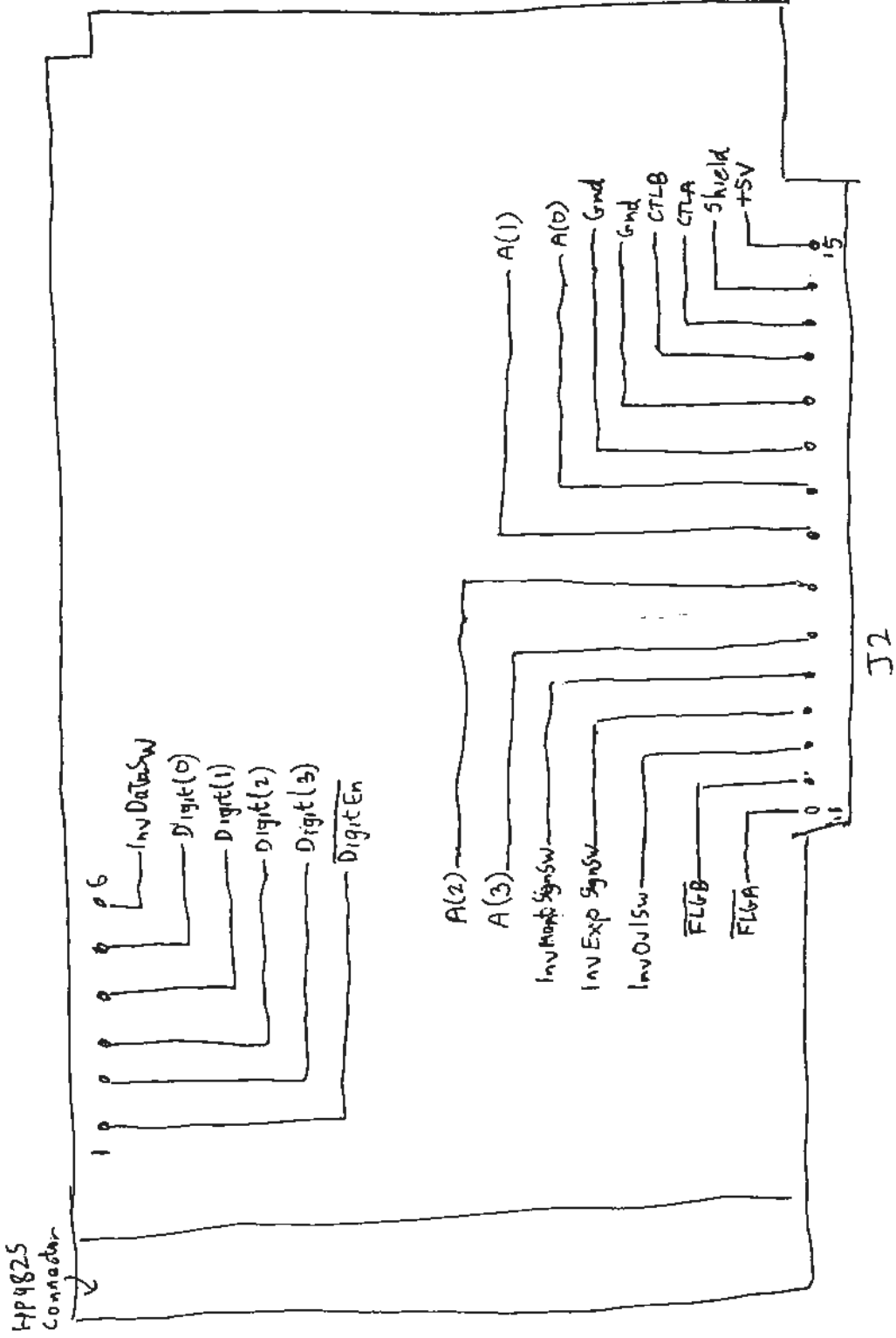
Count	D3	D2	D1	D0	
15	1	$\overline{MS}$	MS	1	Mantissa Sign 1011, 1101
14	D1D	D1C	D1B	D1A	Digit 1
13	D2D	D2C	D2B	D2A	Digit 2
12	D3D	D3C	D3B	D3A	Digit 3
11	D4D	D4C	D4B	D4A	Digit 4
10	D5D	D5C	D5B	D5A	Digit 5
9	D6D	D6C	D6B	D6A	Digit 6
8	D7D	D7C	D7B	D7A	Digit 7
7	D8D	D8C	D8B	D8A	Digit 8
6	1	1	1	0	'E'
5	1	$\overline{ES}$	ES	1	Exp Sign 1011, 1101
4	ExpD	ExpC	ExpB	ExpA	Exp Digit
3	1	1	0	0	'J'
2	0V1	0	0	0	Overflow '8', '0'
1	FD	FC	FB	FA	Function Digit
0	1	0	1	0	LF

98033 Data Mux

Count	Normal				Alternative					
	A3	A2	A1	A0	A3	A2	A1	A0		
15	1	1	1	1	1	1	1	1	15	Mantissa Sign
14	1	1	1	0	1	0	1	1	13	D4
13	1	1	0	1	1	1	0	1	13	D2
12	1	1	0	0	1	0	0	1	9	D6
11	1	0	1	1	0	1	1	1	7	D8
10	1	0	1	0	0	0	1	1	3	'J'
9	1	0	0	1	0	1	0	1	5	Exp Sign
8	1	0	0	0	0	0	0	1	1	Function Digit
7	0	1	1	1	1	1	1	0	14	D1
6	0	1	1	0	1	0	1	0	10	D5
5	0	1	0	1	1	1	0	0	12	D3
4	0	1	0	0	1	0	0	0	8	D7
3	0	0	1	1	0	1	1	0	6	'E'
2	0	0	1	0	0	0	1	0	2	Overflow
1	0	0	0	1	0	1	0	0	4	Exp Digit
0	0	0	0	0	0	0	0	0	0	LF

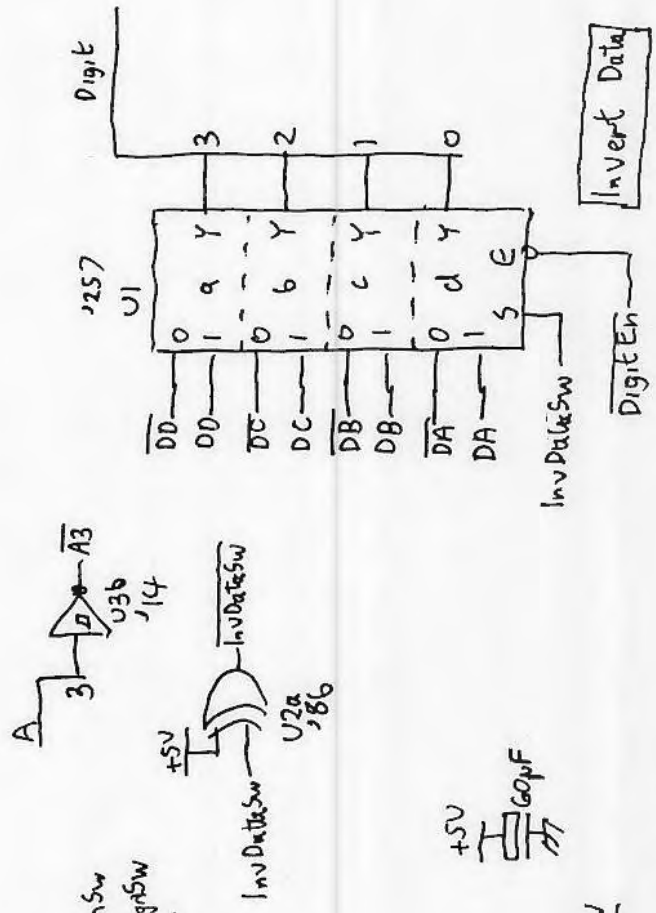
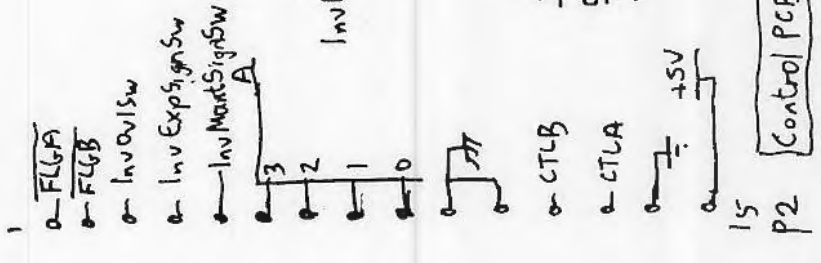
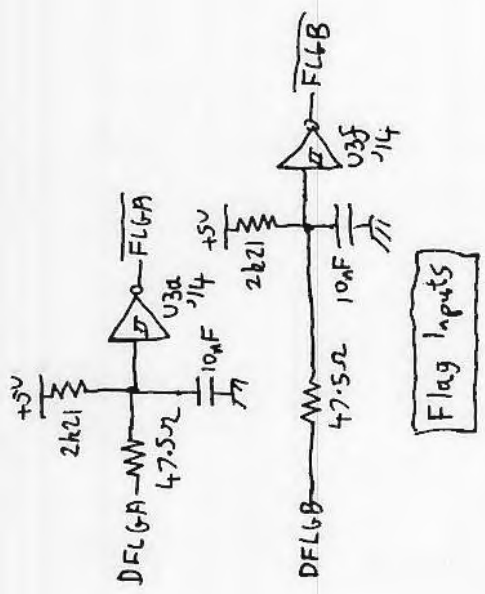
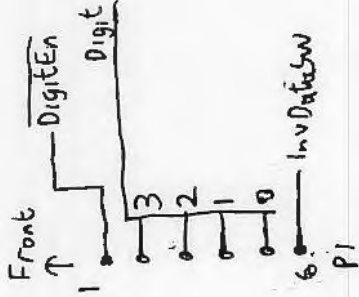
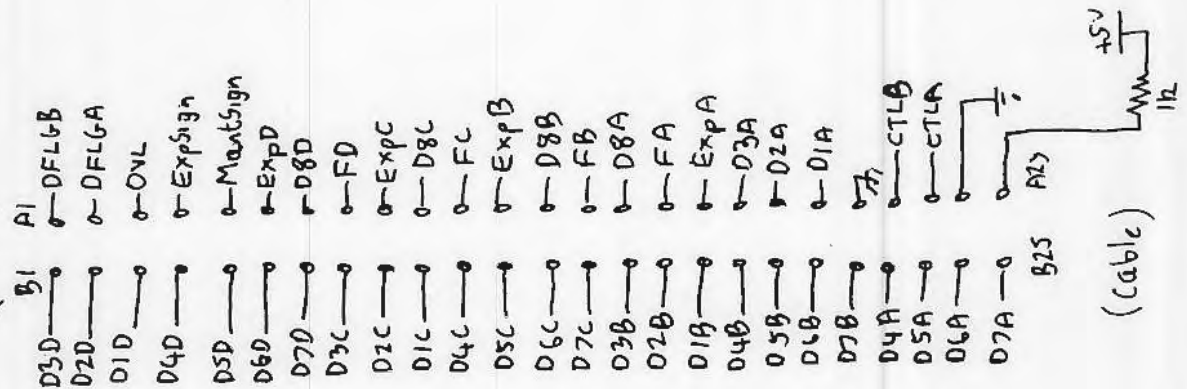
HP 98033 Alternative Data Format

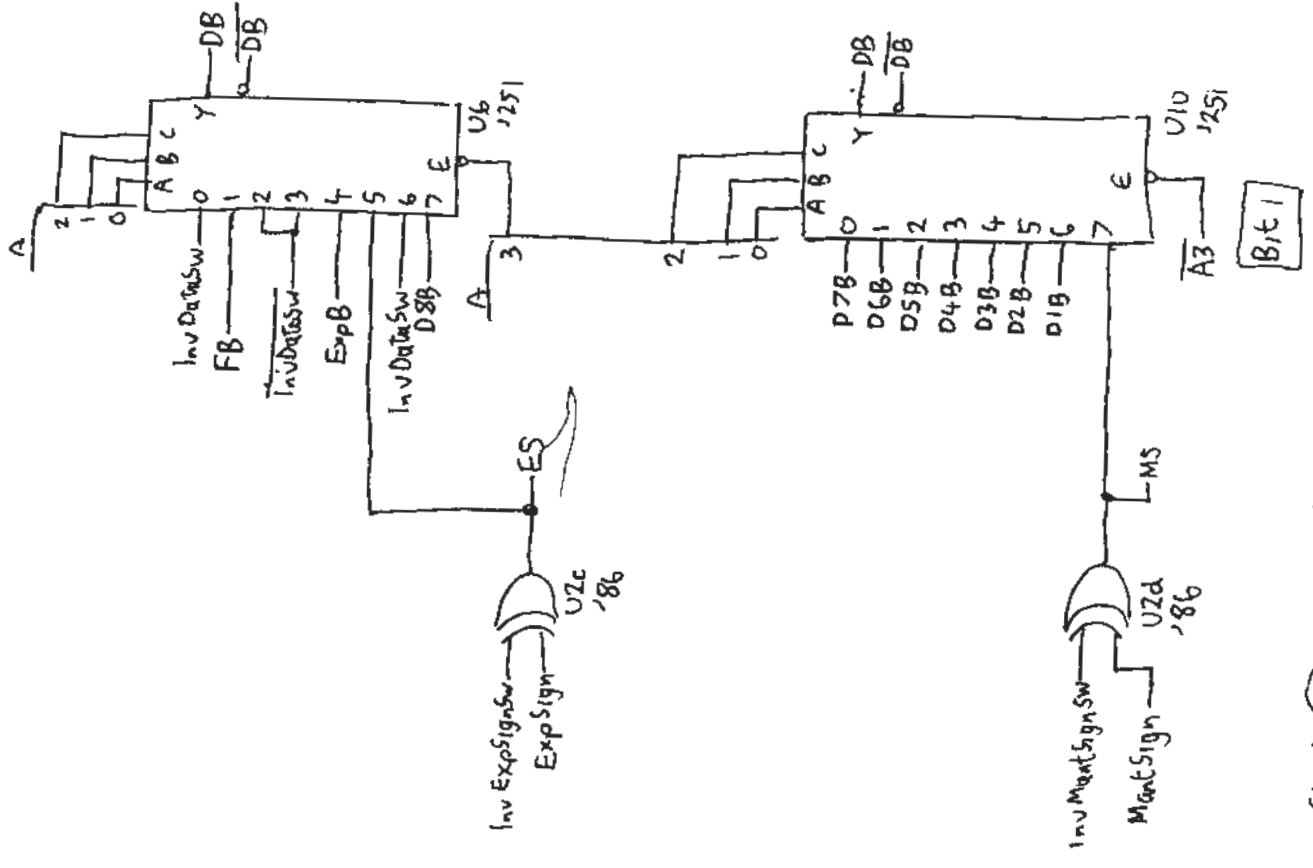
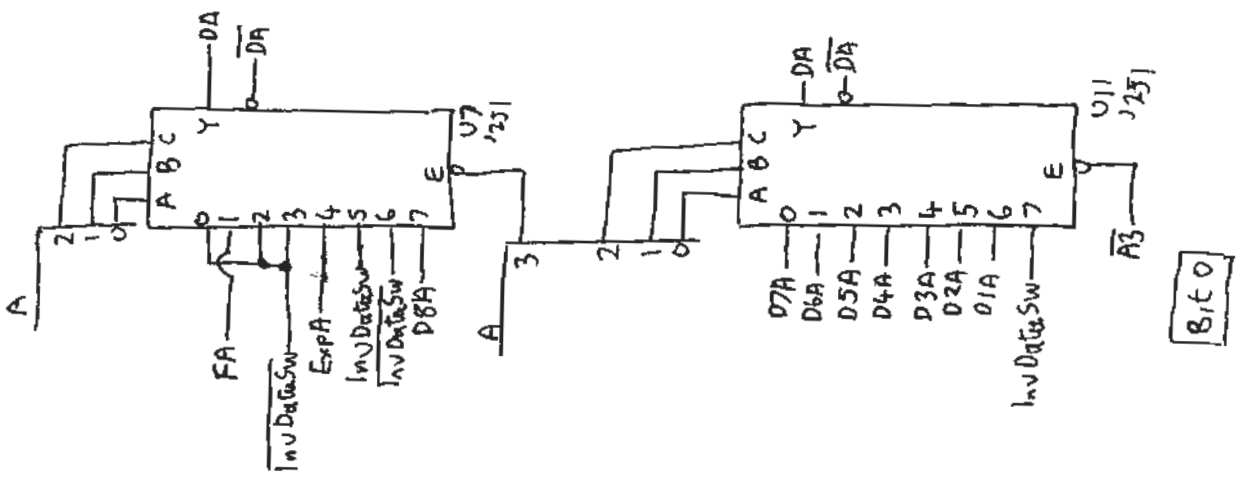
→ Rear



HP98033 Control PCB Connectors

LHS TOP





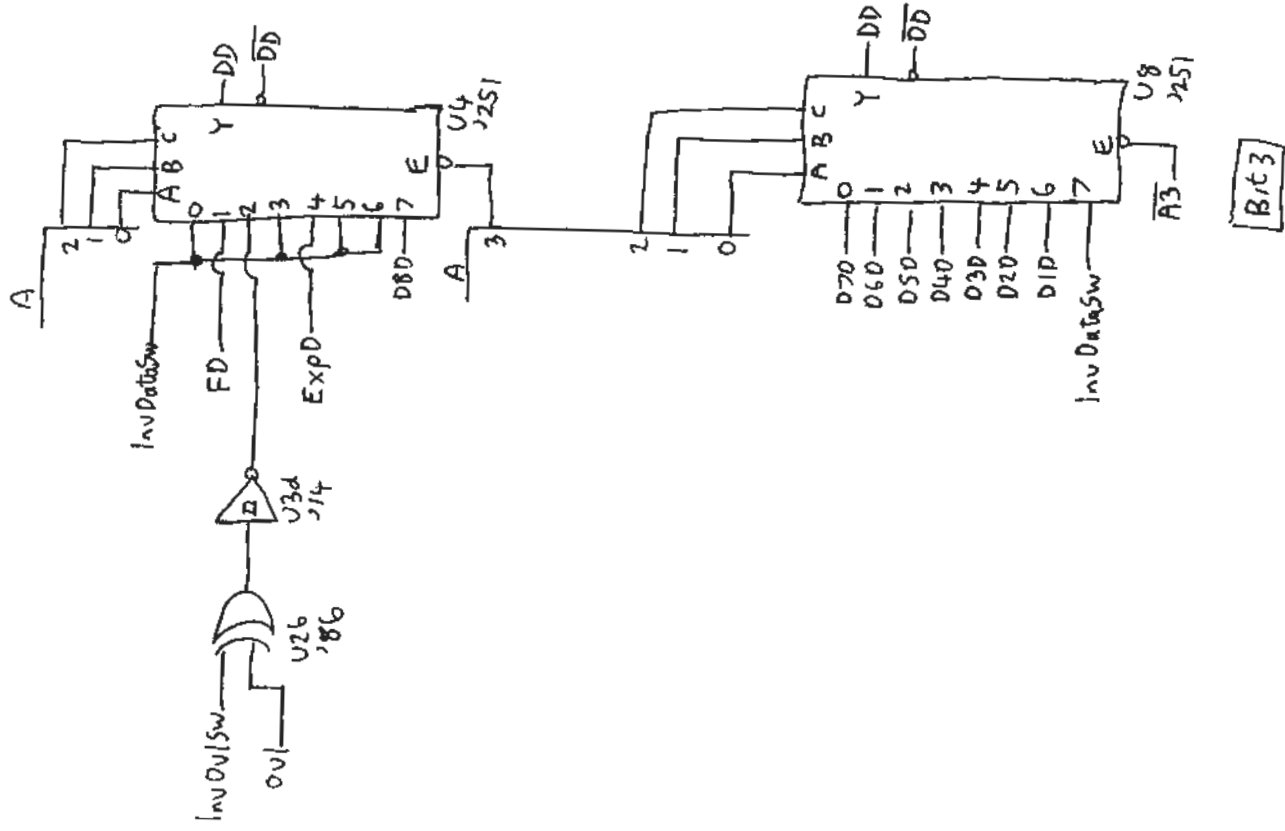
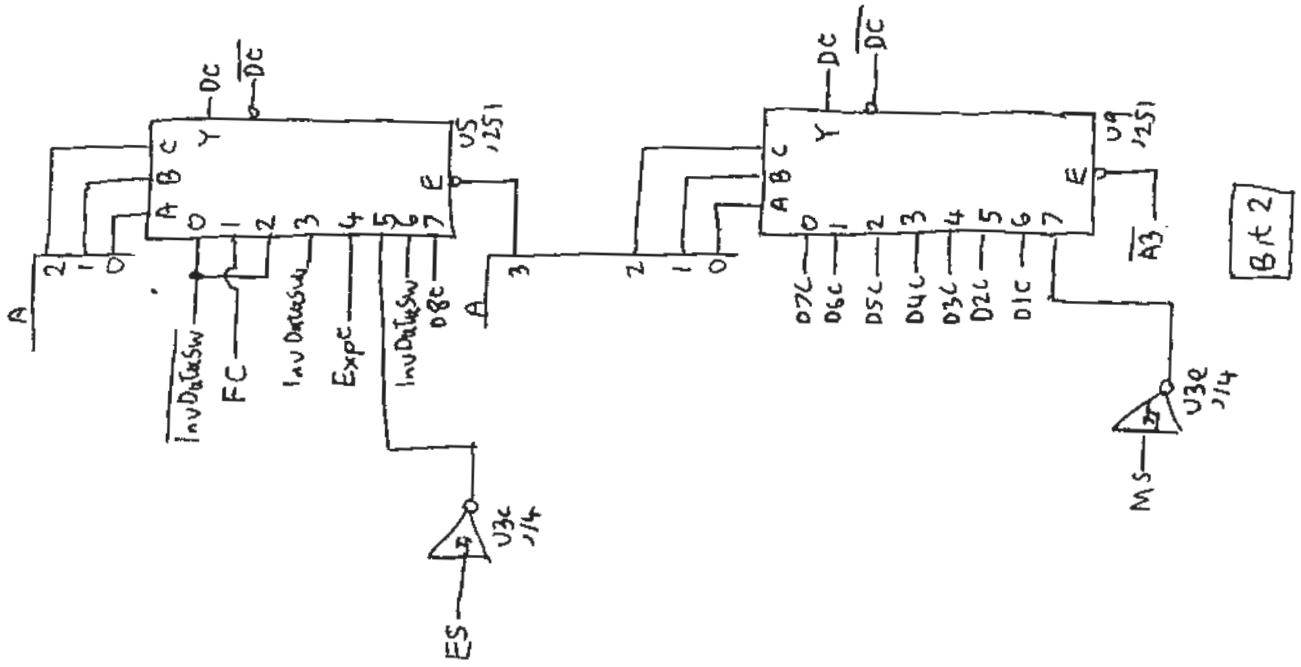
98033-66501

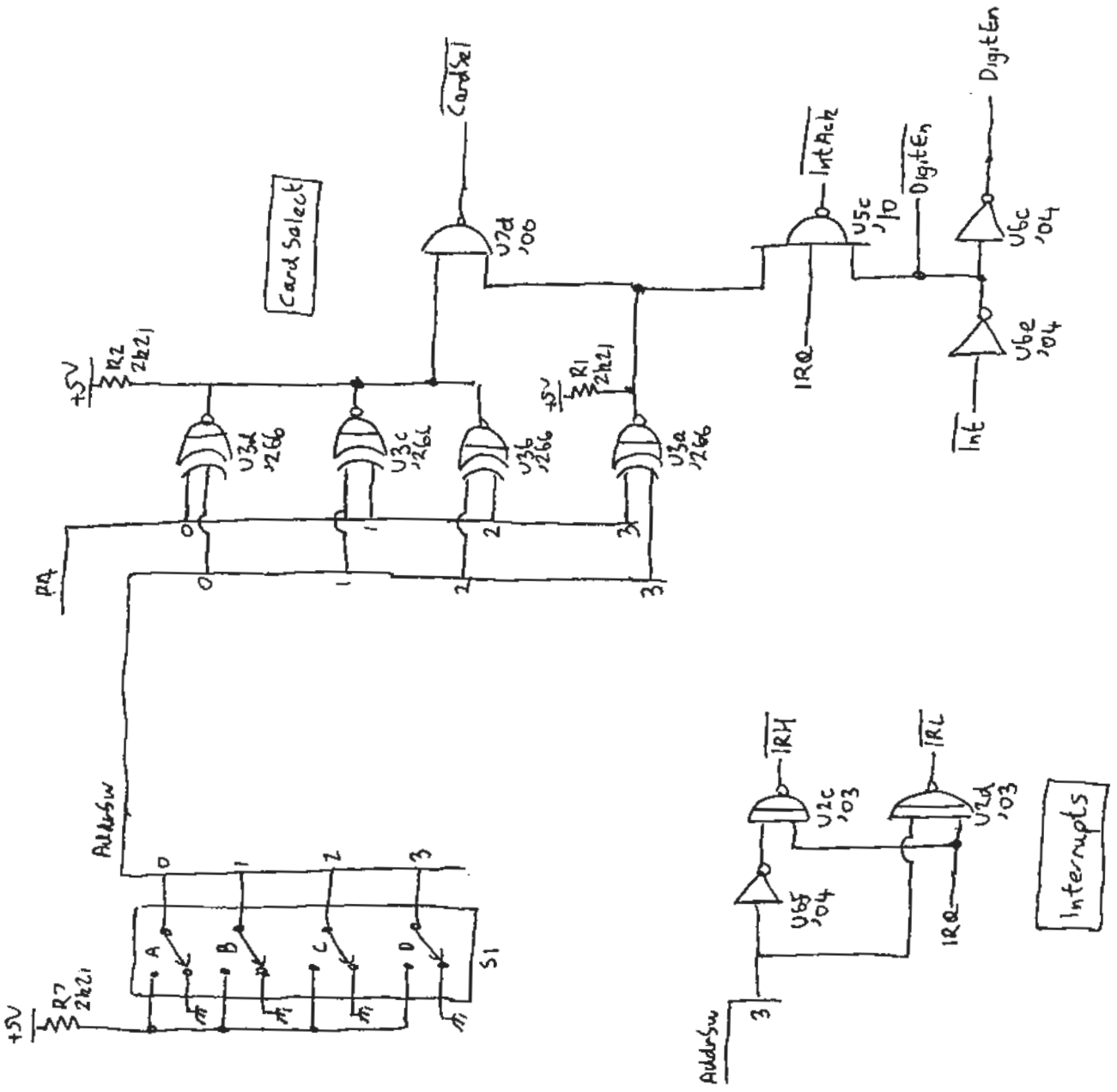
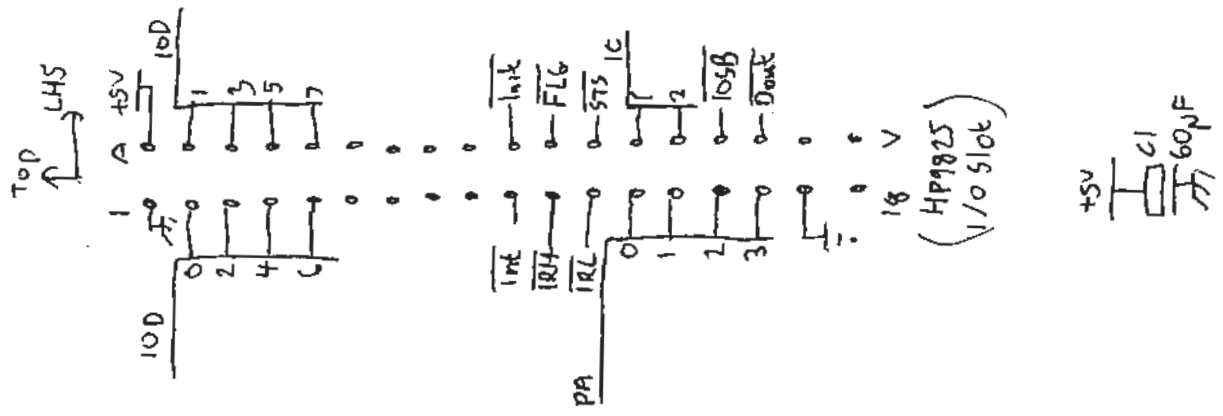
Sheet (2)

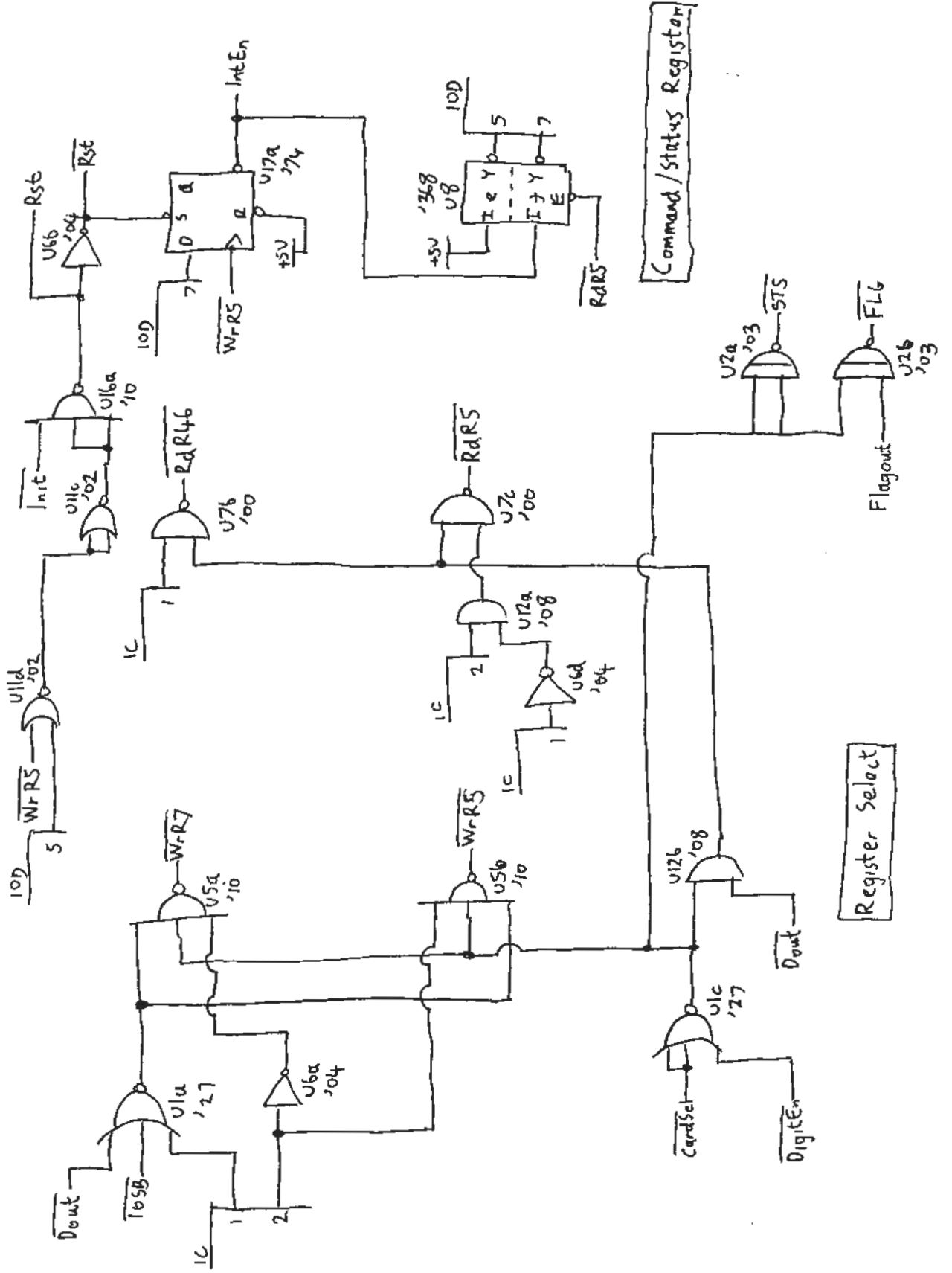
Data PCB

BCD Interface

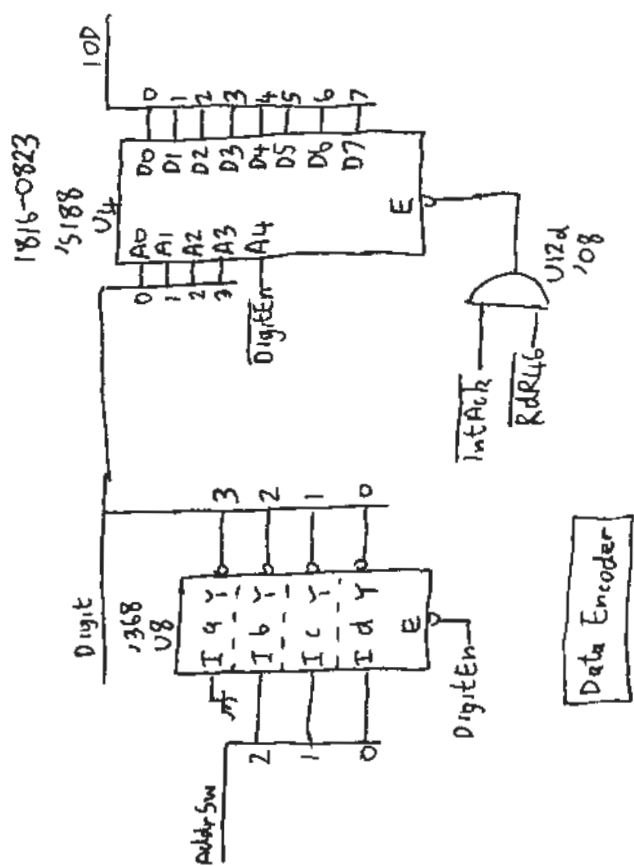
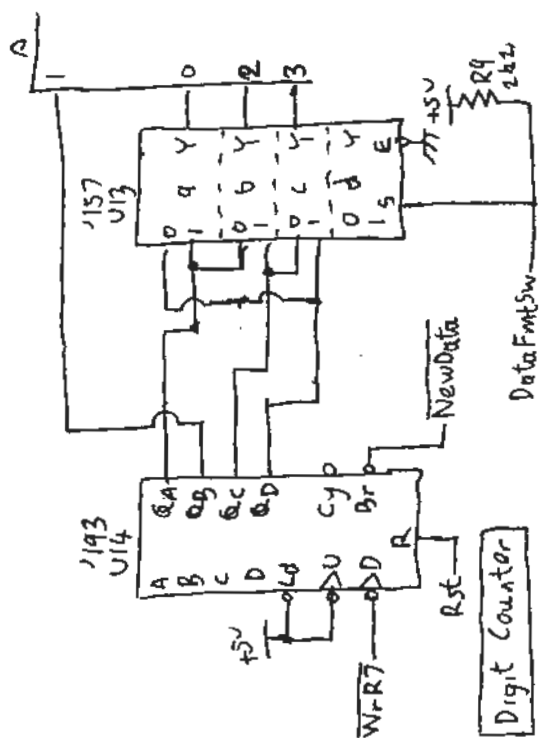
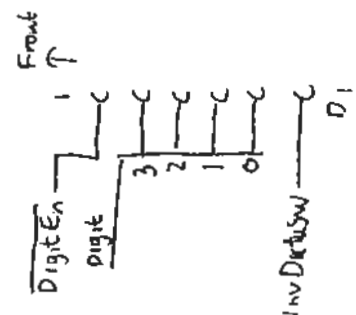
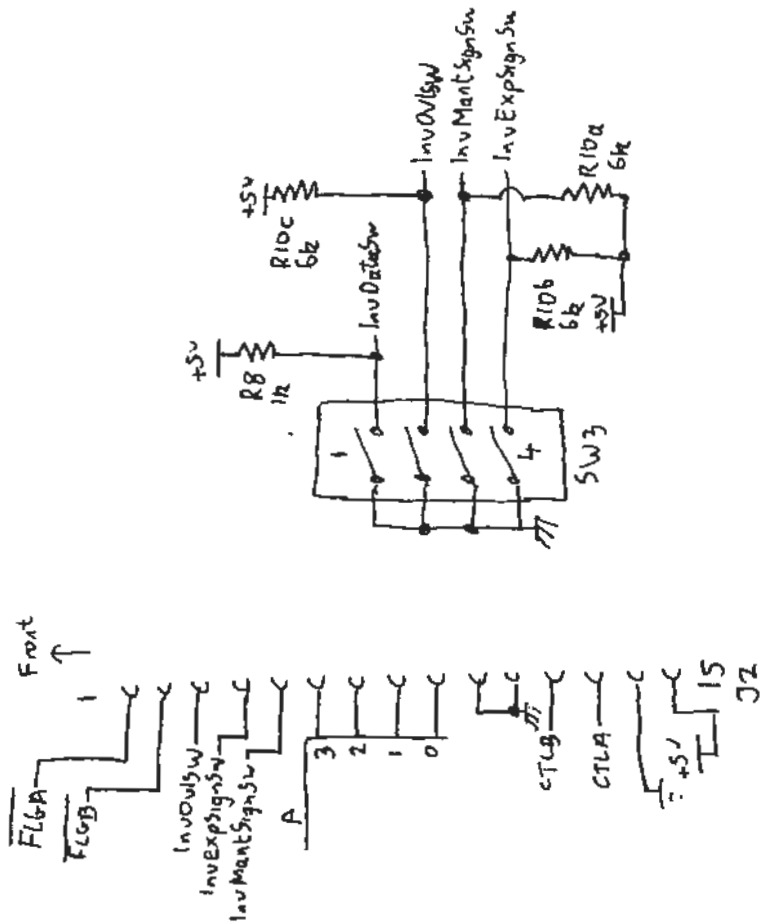
HP98033

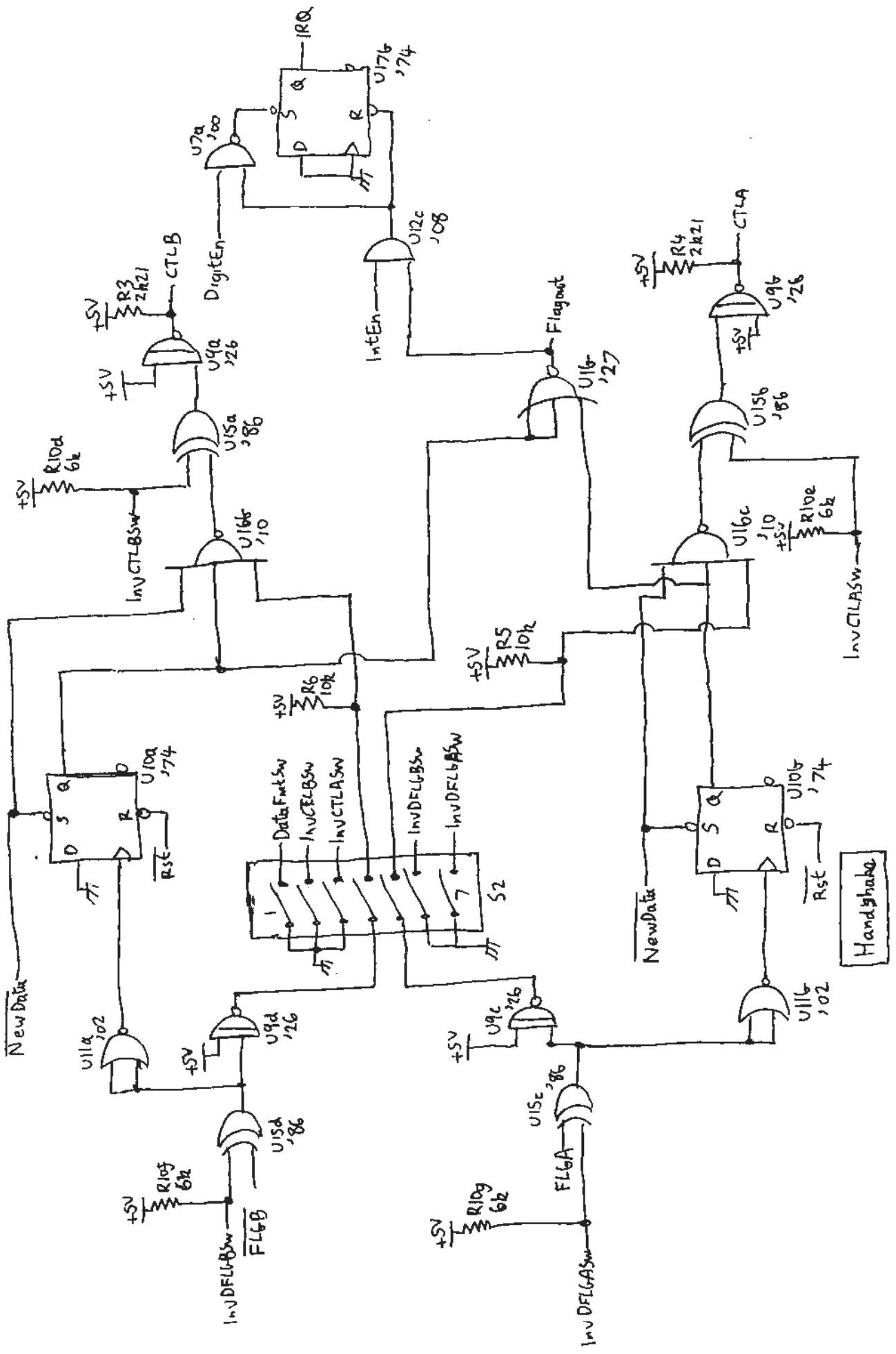


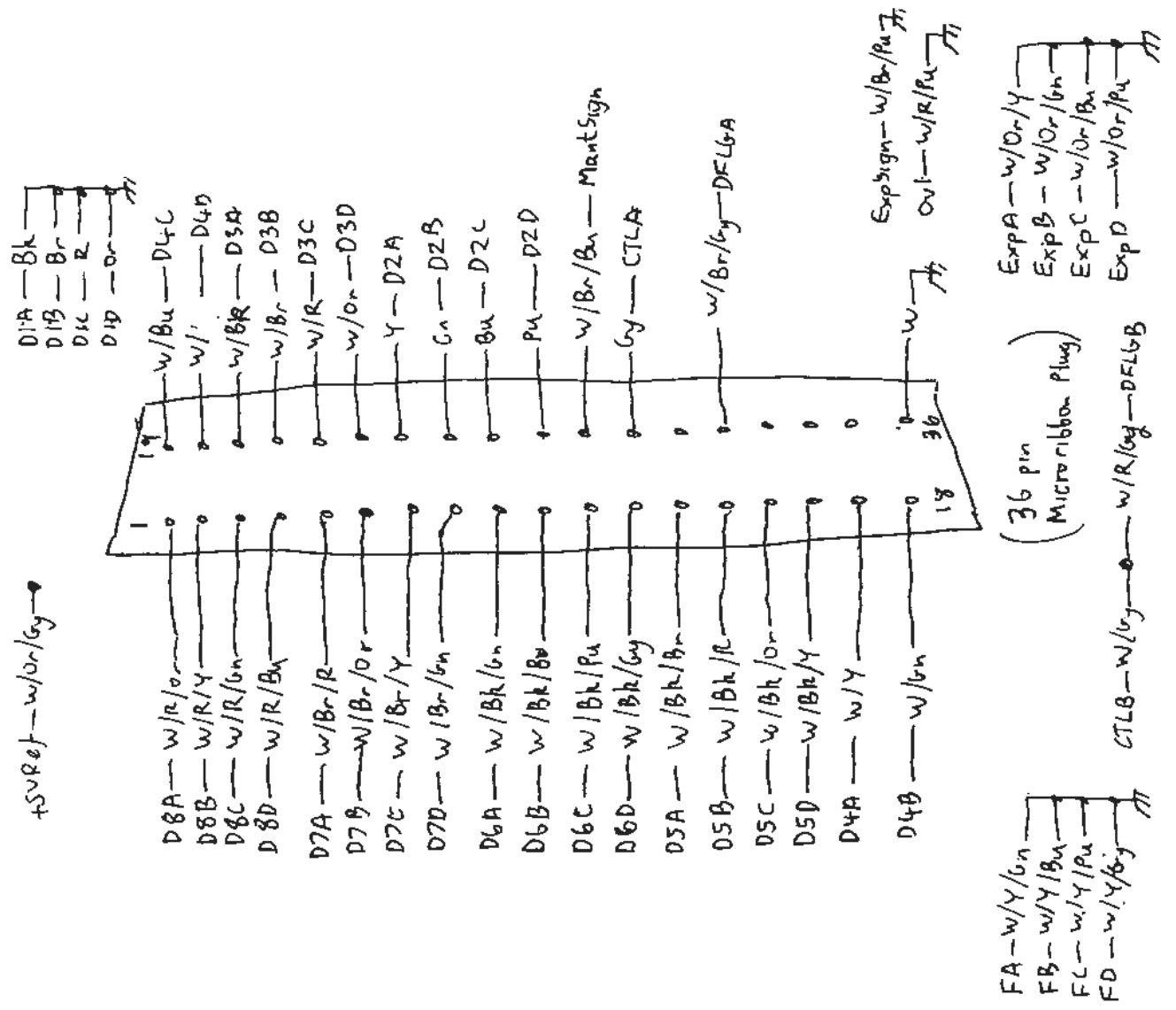
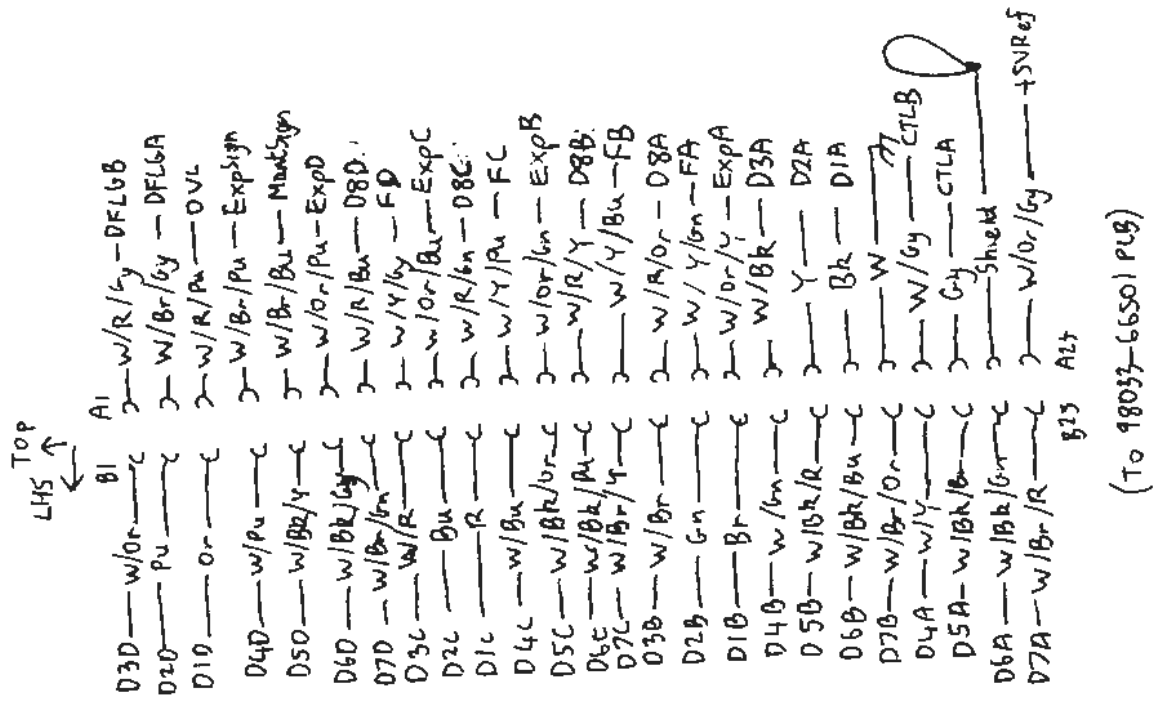












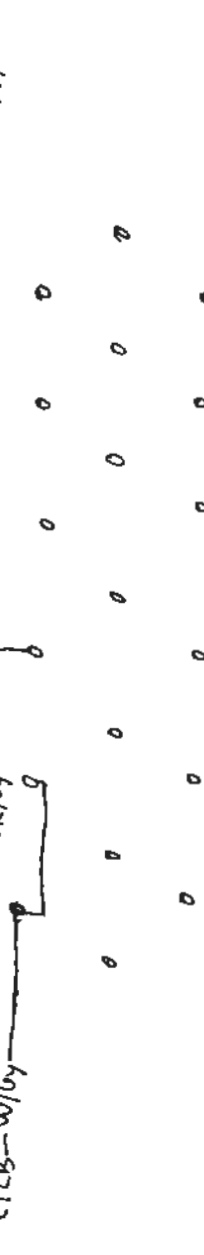
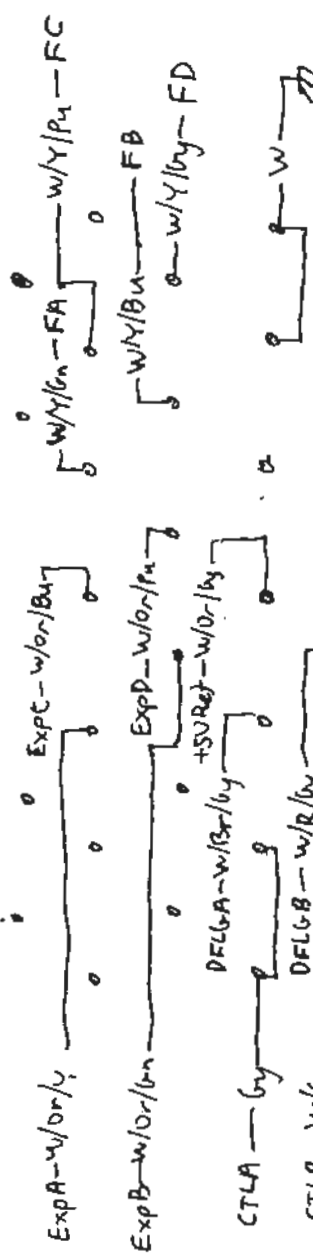
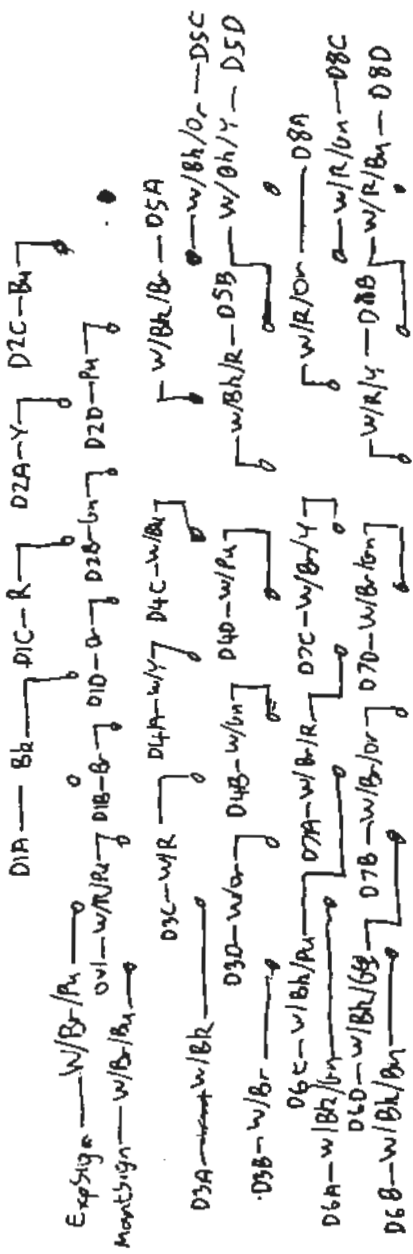
TOP  
←

- B1 A1 D3D-w/or-ly-DFL6B
- D2D-pu-ly-DFL6A
- D1D-or-pu-OVL
- D4D-w/pu-ExpSign
- D5D-w/bl/y-Bu-MastSign
- D6D-w/bl/y-ExpD
- D7D-w/bl/y-Bu-D8D
- D3C-w/r-ly-FD
- D2C-Bu-ExpC
- D1C-R-D8C
- D4C-w/bl/y-pu-FC
- D5C-w/bl/y-ExpB
- D6C-w/bl/y-D8B
- D7C-w/bl/y-Bu-FB
- D3B-w/bl/y-Or-D8A
- D2B-ly-FA
- D1B-ly-ExpA
- D4B-w/bl/y-D3A
- D5B-w/bl/y-D2A
- D6B-w/bl/y-Bu-D1A
- D7B-w/bl/y-CTLB
- D4A-w/y-CTLA
- D5A-w/bl/y-ly-Shield
- D6A-w/bl/y-ly-+SVRef
- D7A-w/bl/y-ly-+SVRef

B25 A25

(TO 98033-66501 PCB)

(Large Key)



(Small Key)

(EDAC 516-90 Plug)

HP48033 BCD Interface Cable (ARD'S wiring)