

HP150

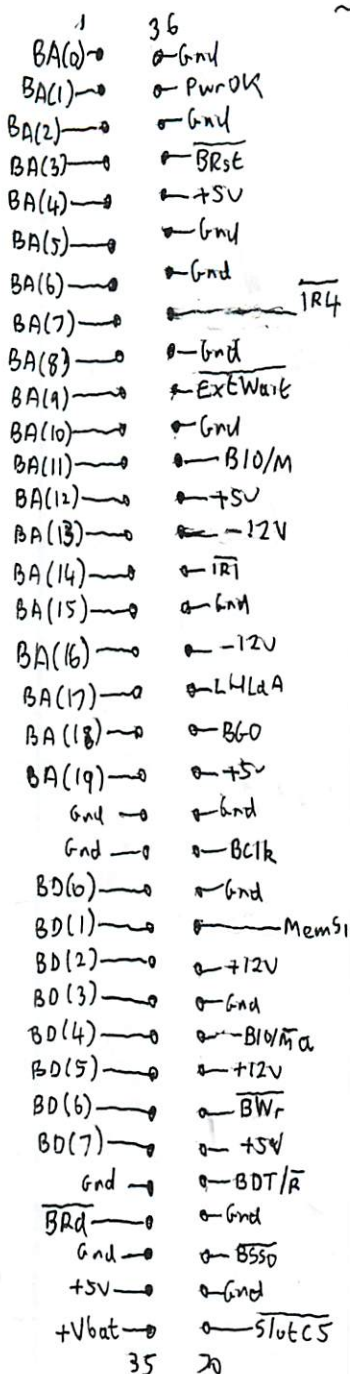
1	33	65
BA(0) →	← PrtWr	← PrtErD
BA(1) →	← PwrOK	← Gnd
BA(2) →	← StOEZCS	← Gnd
BA(3) →	← BRst	← +5V
BA(4) →	← IR4	← Gnd
BA(5) →	← ExtWast	← +5V
BA(6) →	← +5V	← Gnd
BA(7) →	← B10/M	← Gnd
BA(8) →	← -12V	← Gnd
BA(9) →	← IR0	← Gnd
BA(10) →	← -12V	← Gnd
BA(11) →	← BGo	← Gnd
BA(12) →	← Gnd	← Gnd
BA(13) →	← Gnd	← Gnd
BA(14) →	← BClk	← Gnd
BA(15) →	← Gnd	← Gnd
BA(16) →	← Gnd	← Gnd
BA(17) →	← B10/Ma	← Gnd
BA(18) →	← +12V	← Gnd
BA(19) →	← BDT/R	← Gnd
BD(0) →	← +12V	← Gnd
BD(1) →	← LHIdA	← Gnd
BD(2) →	← BWr	← Gnd
BD(3) →	← (N/C)	← +5V
BD(4) →	← BRd	← +5V
BD(5) →	← +5V	← +5V
BD(6) →	← (sp)	← +5V
BD(7) →	← Gnd	← TSData
B550 →	← +5V	← Gnd
StOEZCS →	← Gnd	← IR1
+Vbat →	← (N/C)	← TSSync
+Vbat →	← Memsize	← +5V
32	64	96

LHS
 ↑
 ← Top
 CPU PCB →
 Backplane

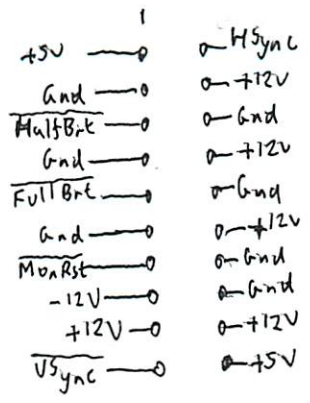
1	36
BA(0) →	← +5V
BA(1) →	← Gnd
BA(2) →	← BRSt
BA(3) →	← Gnd
BA(4) →	← ExtWast
BA(5) →	← +5V
BA(6) →	← B10/M
BA(7) →	← Gnd
BA(8) →	← IR0
BA(9) →	← Gnd
BA(10) →	← BGo
BA(11) →	← Gnd
BA(12) →	← BClk
BA(13) →	← Gnd
BA(14) →	← +5V
BA(15) →	← Gnd
BA(16) →	← B10/Ma
BA(17) →	← Gnd
BA(18) →	← BDT/R
BA(19) →	← (N/C)
BD(0) →	← +5V
BD(1) →	← (N/C)
BD(2) →	← BRd
BD(3) →	← Gnd
BD(4) →	← (sp)
BD(5) →	← Gnd
BD(6) →	← +5V
BD(7) →	← Gnd
+5V →	← VSync
+5V →	← Gnd
+12V →	← HSync
+12V →	← Gnd
+12V →	← FullBrE
+Vbat →	← FullBrE
+Vbat →	← Gnd
35	70

LHS
 Top ↑
 ←
 Video PCB
 → Backplane

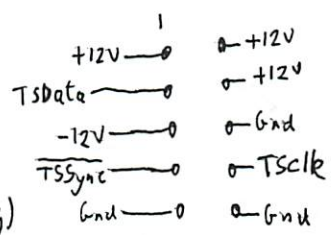
MP150



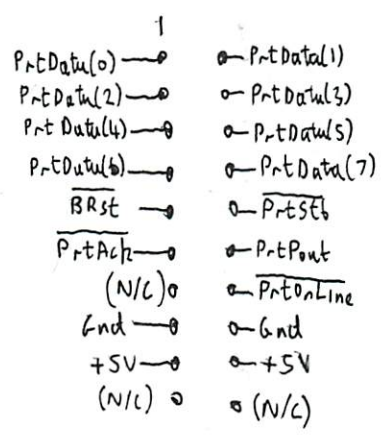
LHS
 ↑
 Top ←
 Expansion PCB



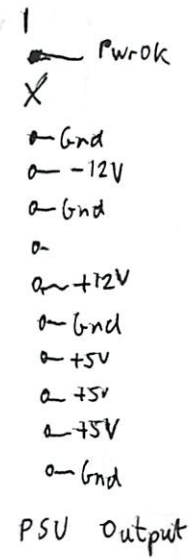
Monitor
PCB



Touchscreen
PCB

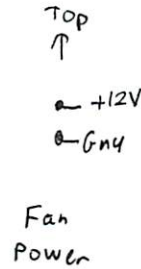
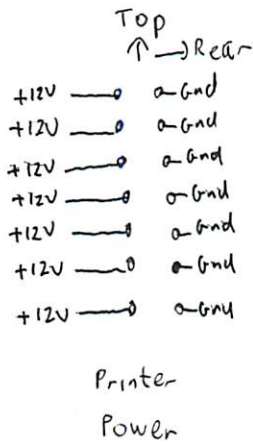
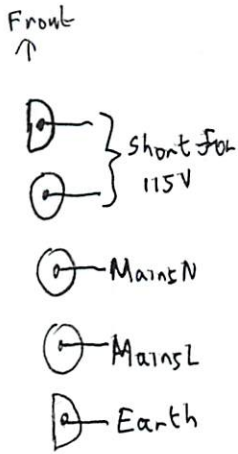


Internal
Printer

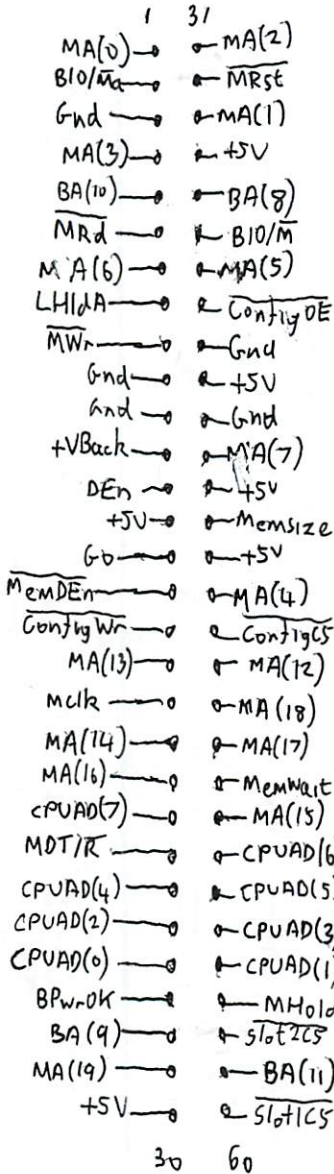


PSU Output

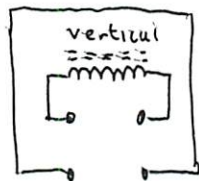
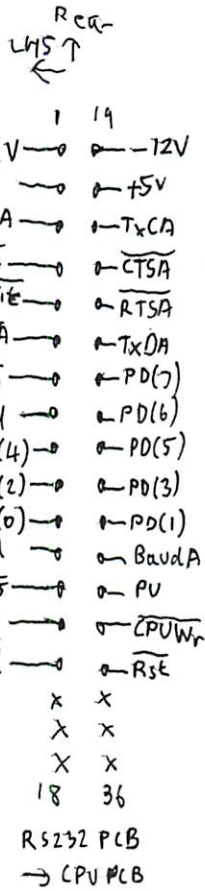
HP150



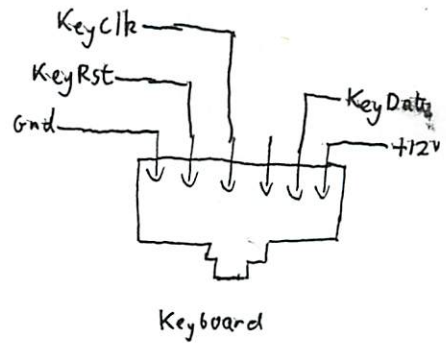
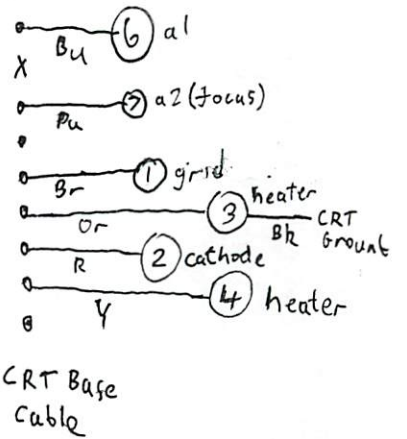
PSU
Mains
LHS Rear ↑



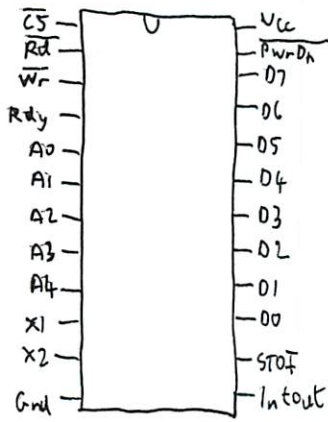
Memory PCB
→ CPU PCB



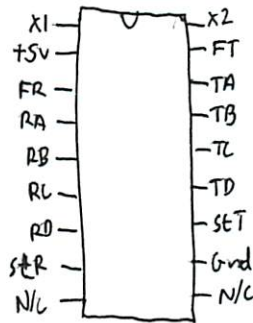
Rear ↑



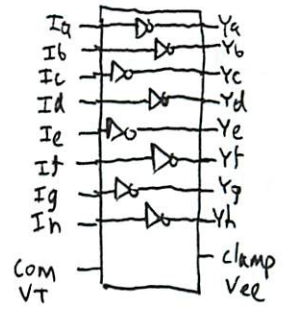
MP150



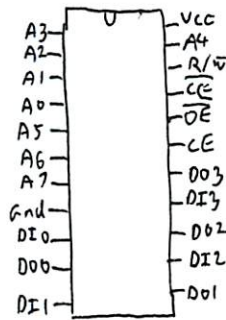
MM58167
Real Time
clock



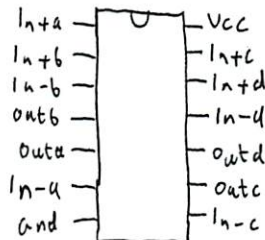
COM8116
Band Rate
Generator



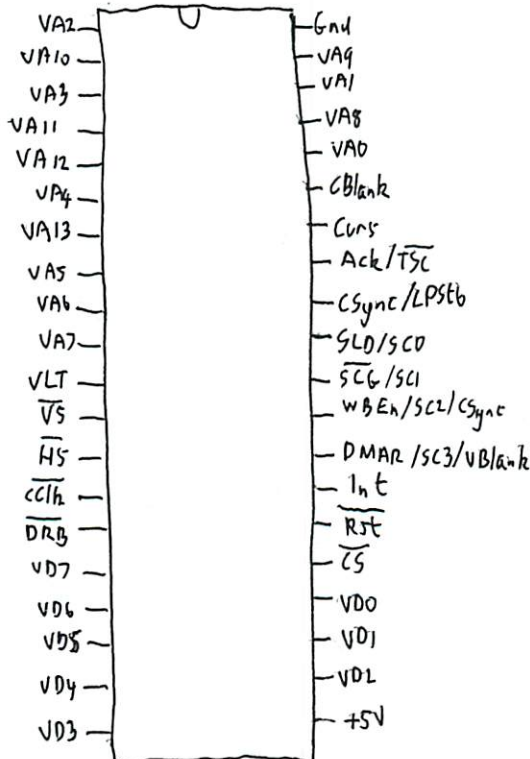
UDN2580
Octal High-side
Driver



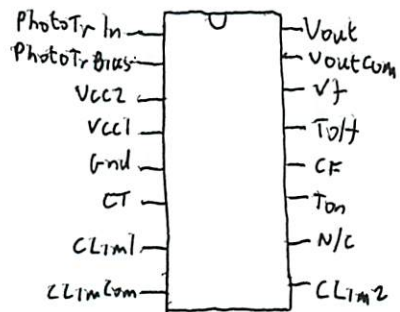
S101
256x4 CMOS
RAM



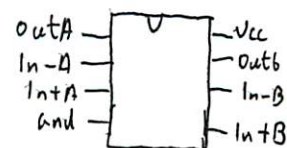
LM3906
Quad Norton
Amplifier



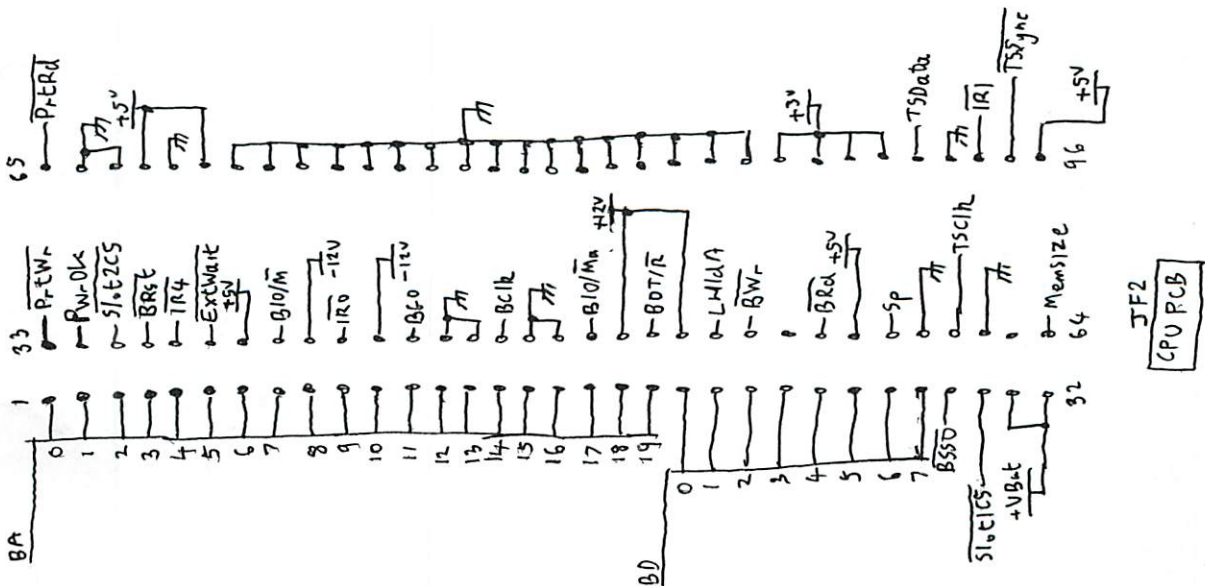
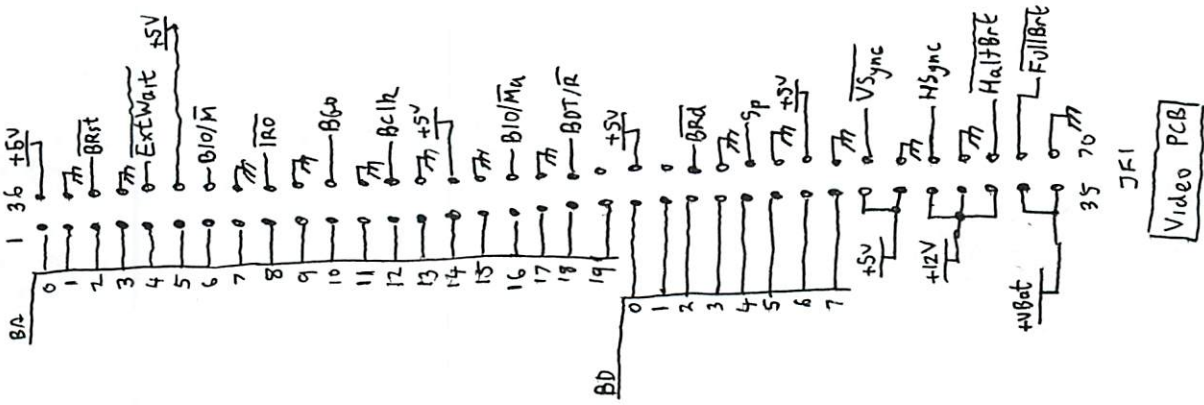
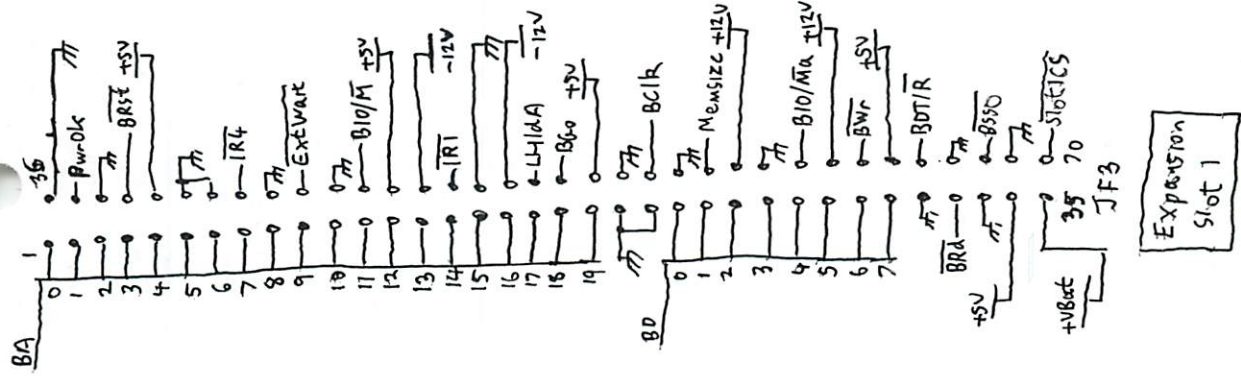
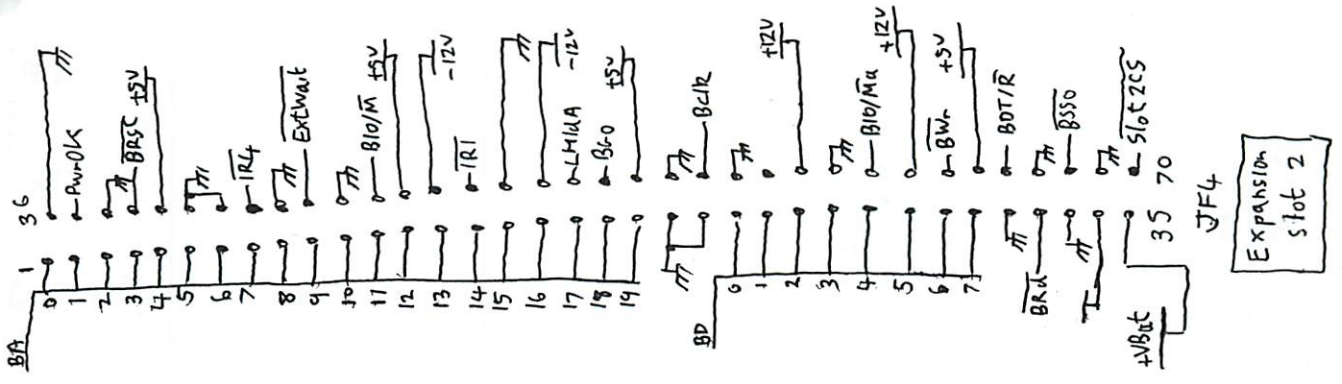
CRT9007
CRT Controller

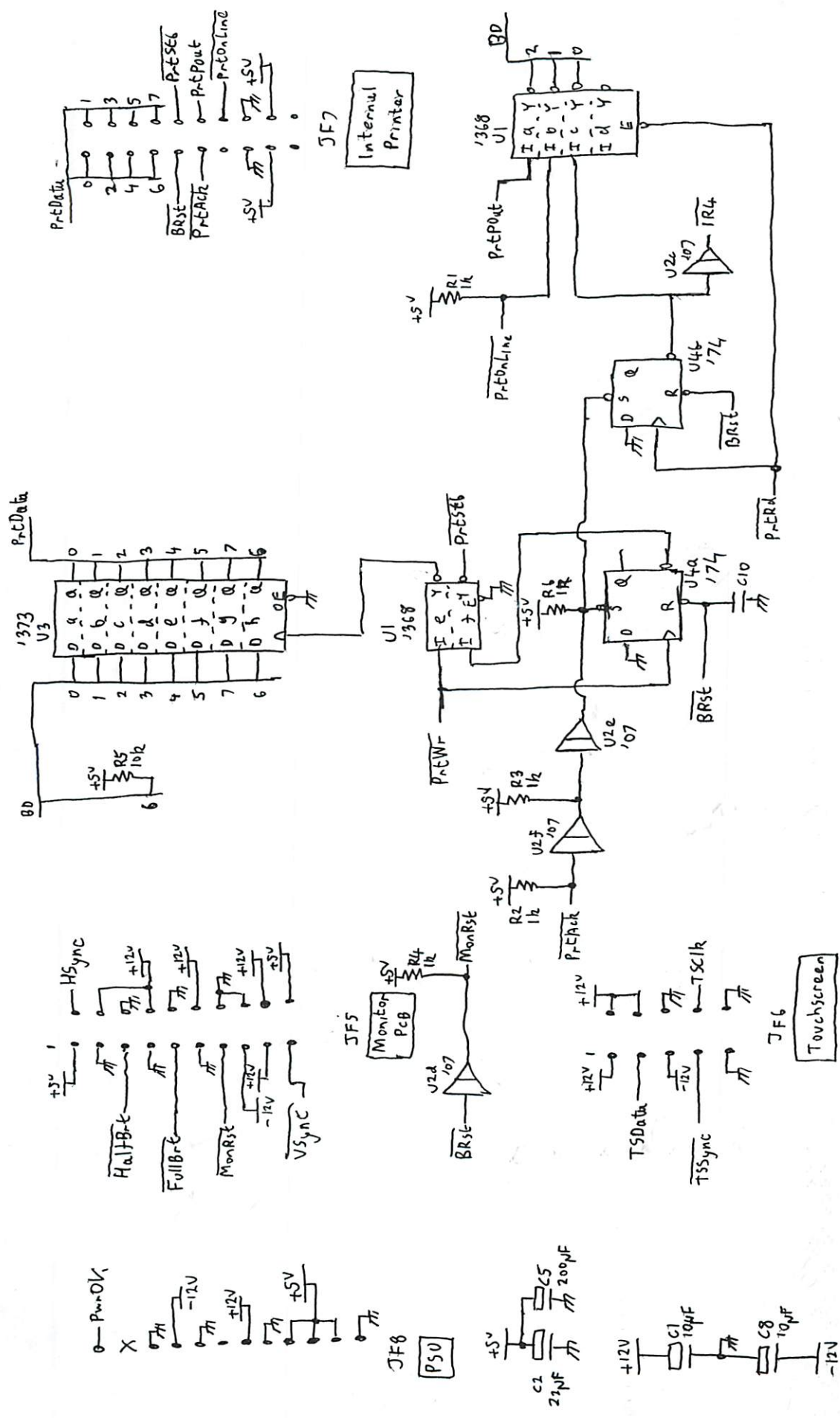


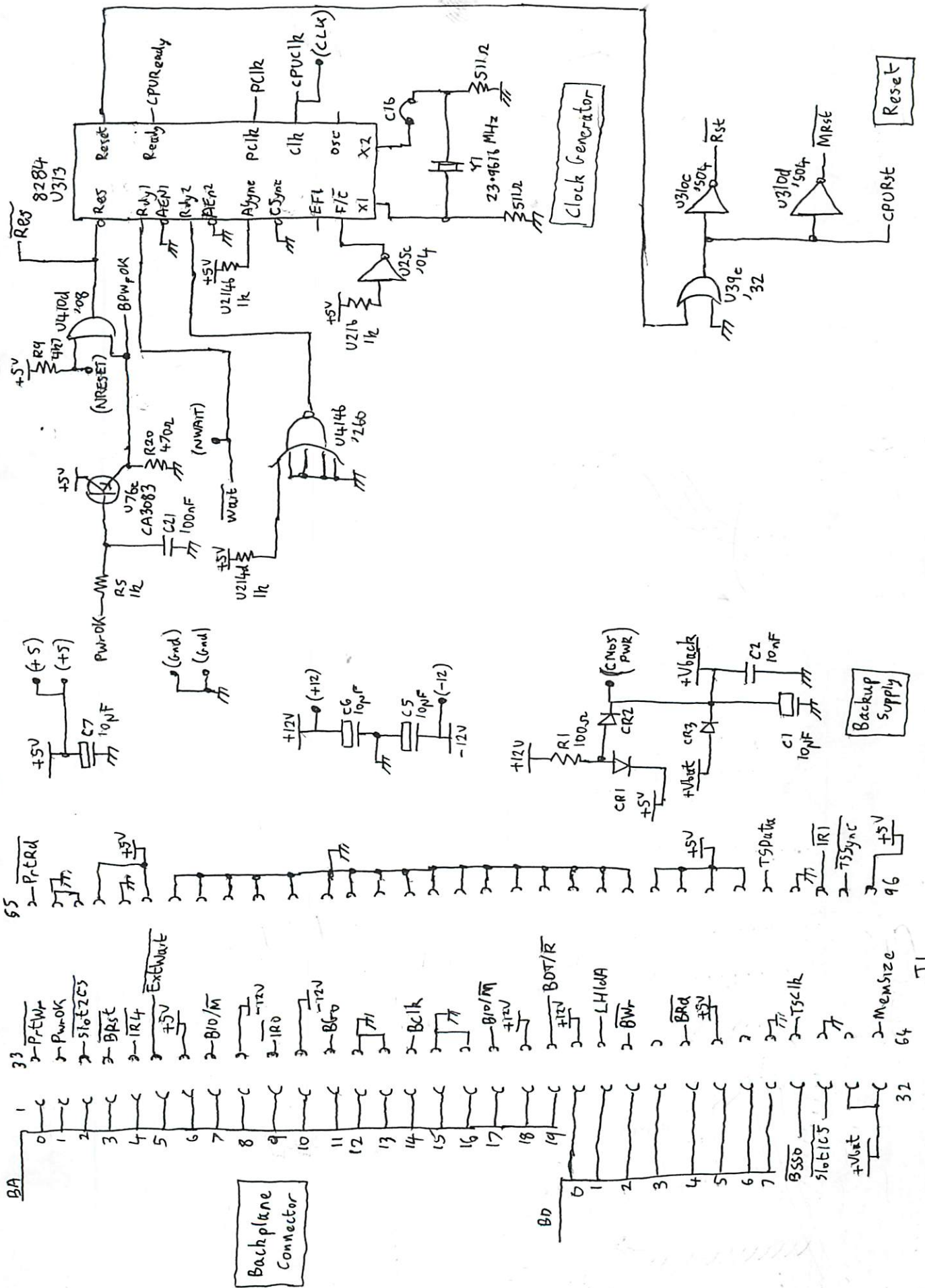
AN6514
Switching Regulator

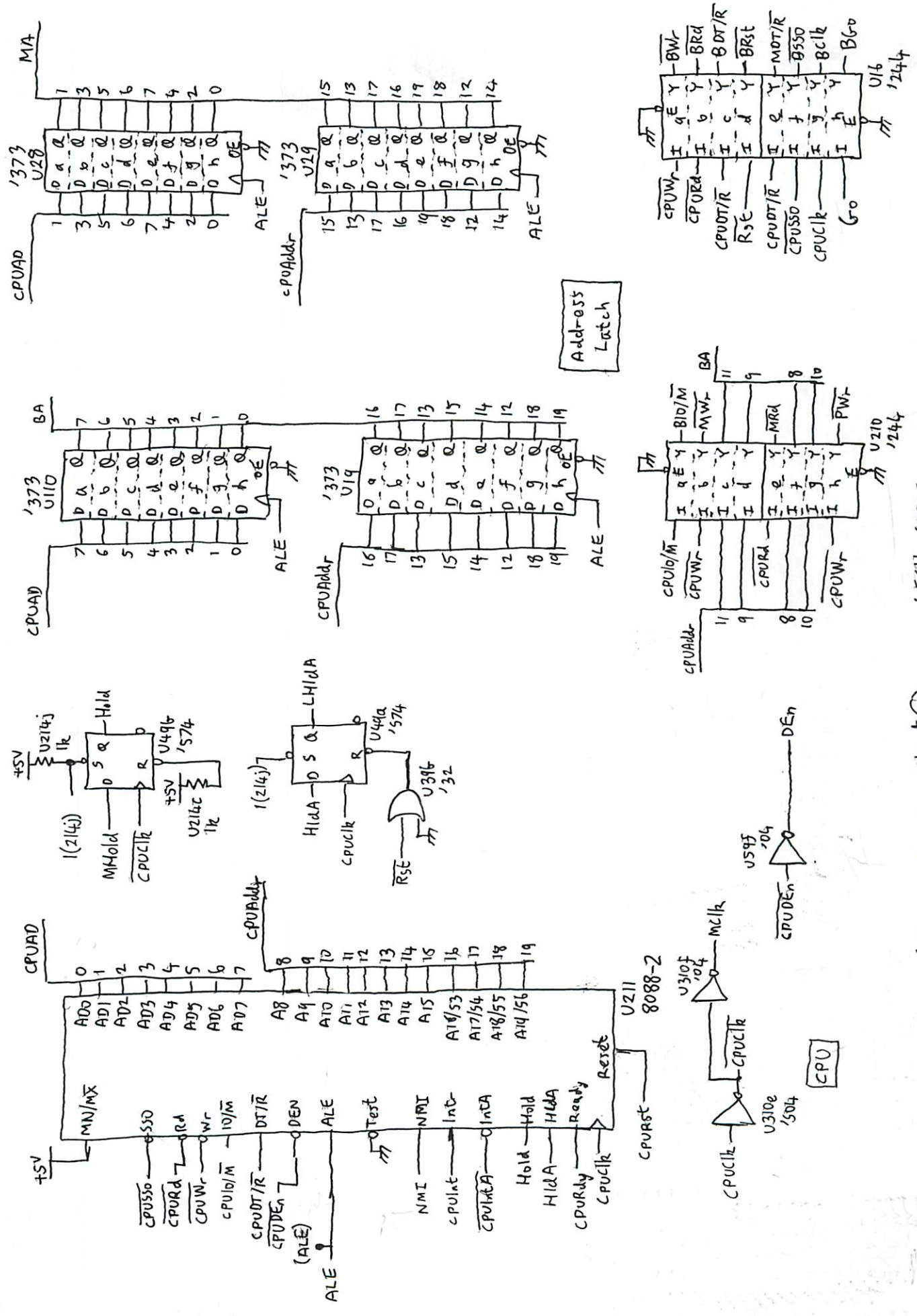


AN6914
Dual Comparator



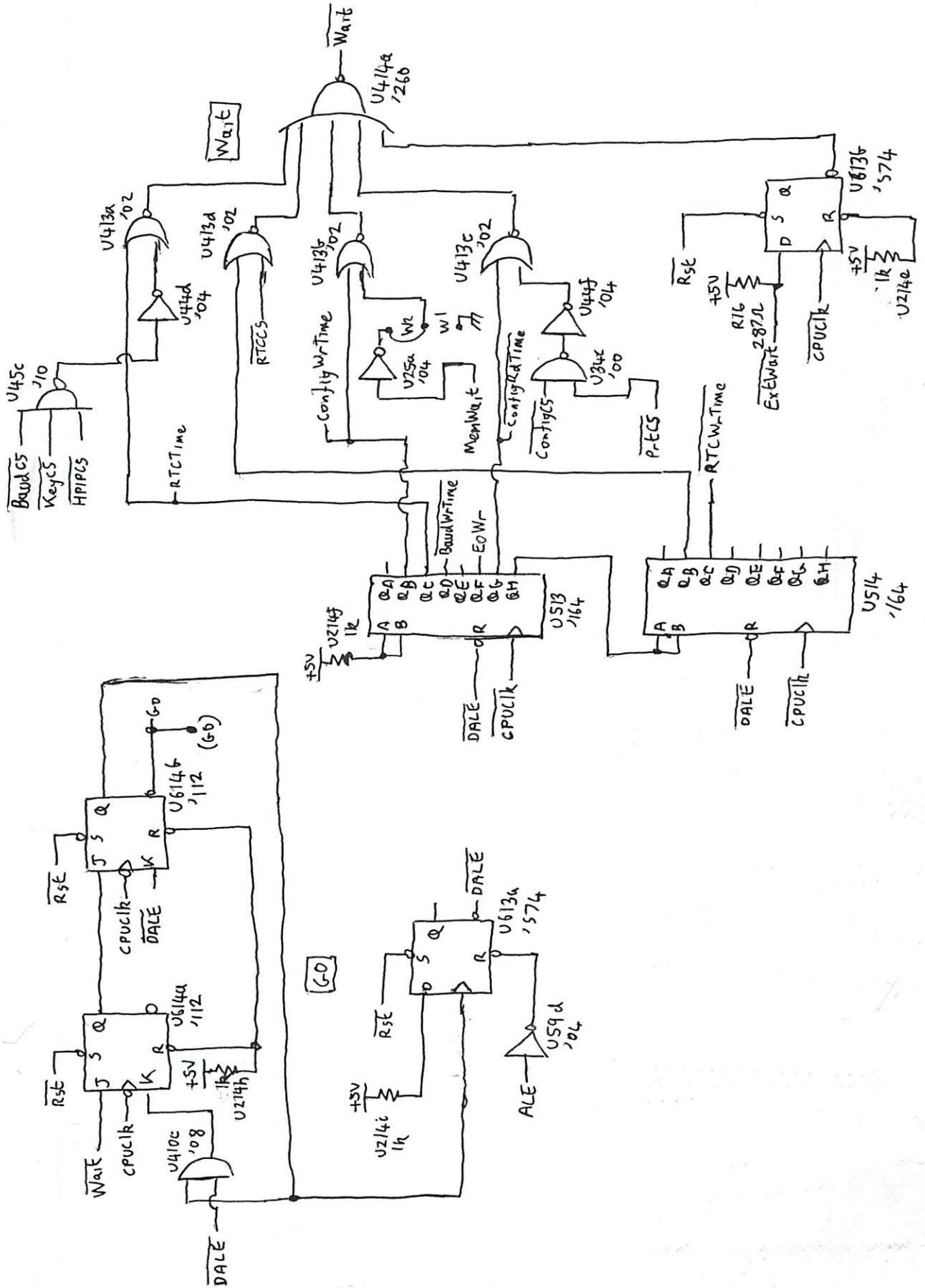


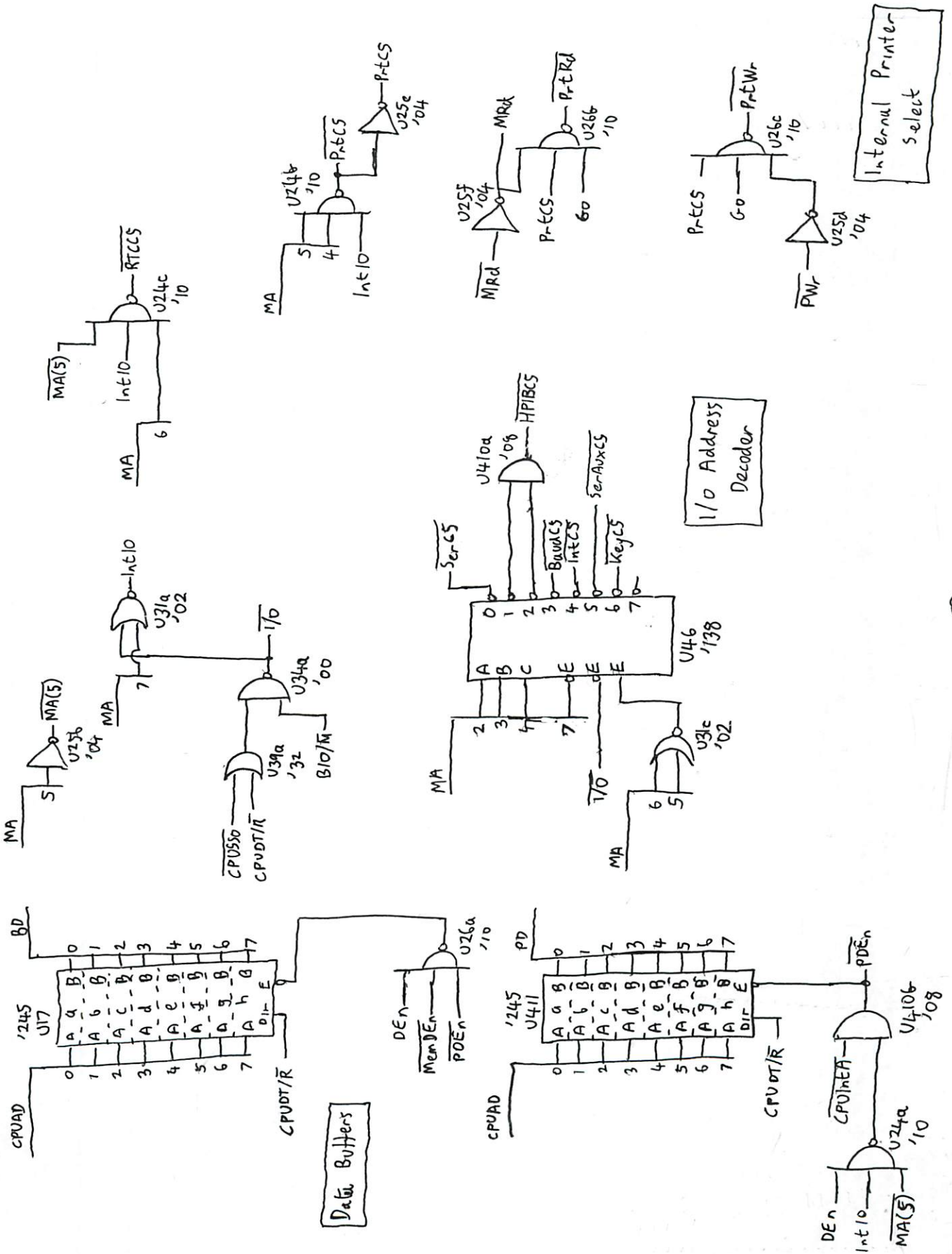


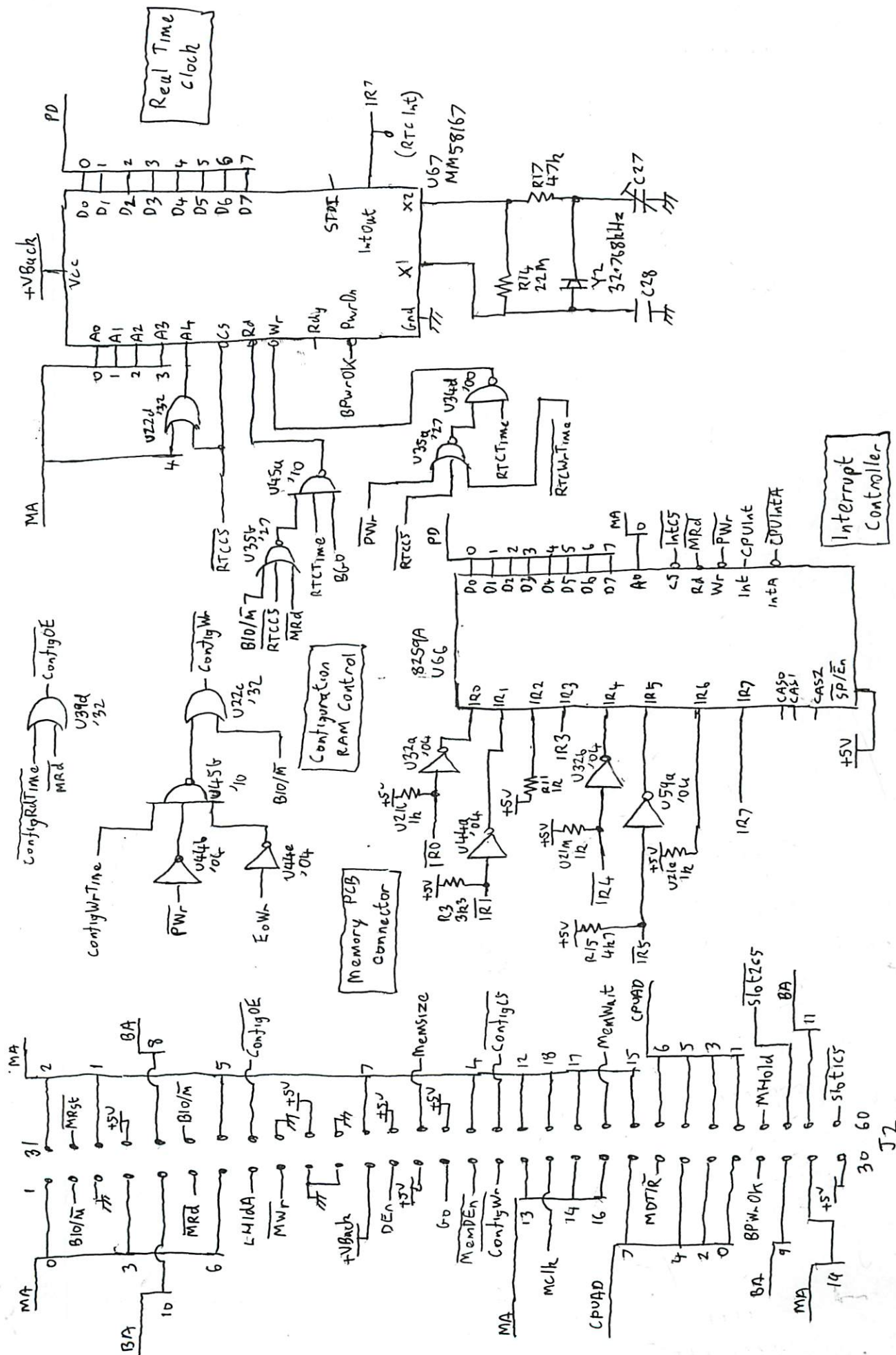


45611-60002

HP150 CPU PCB Sheet (2)



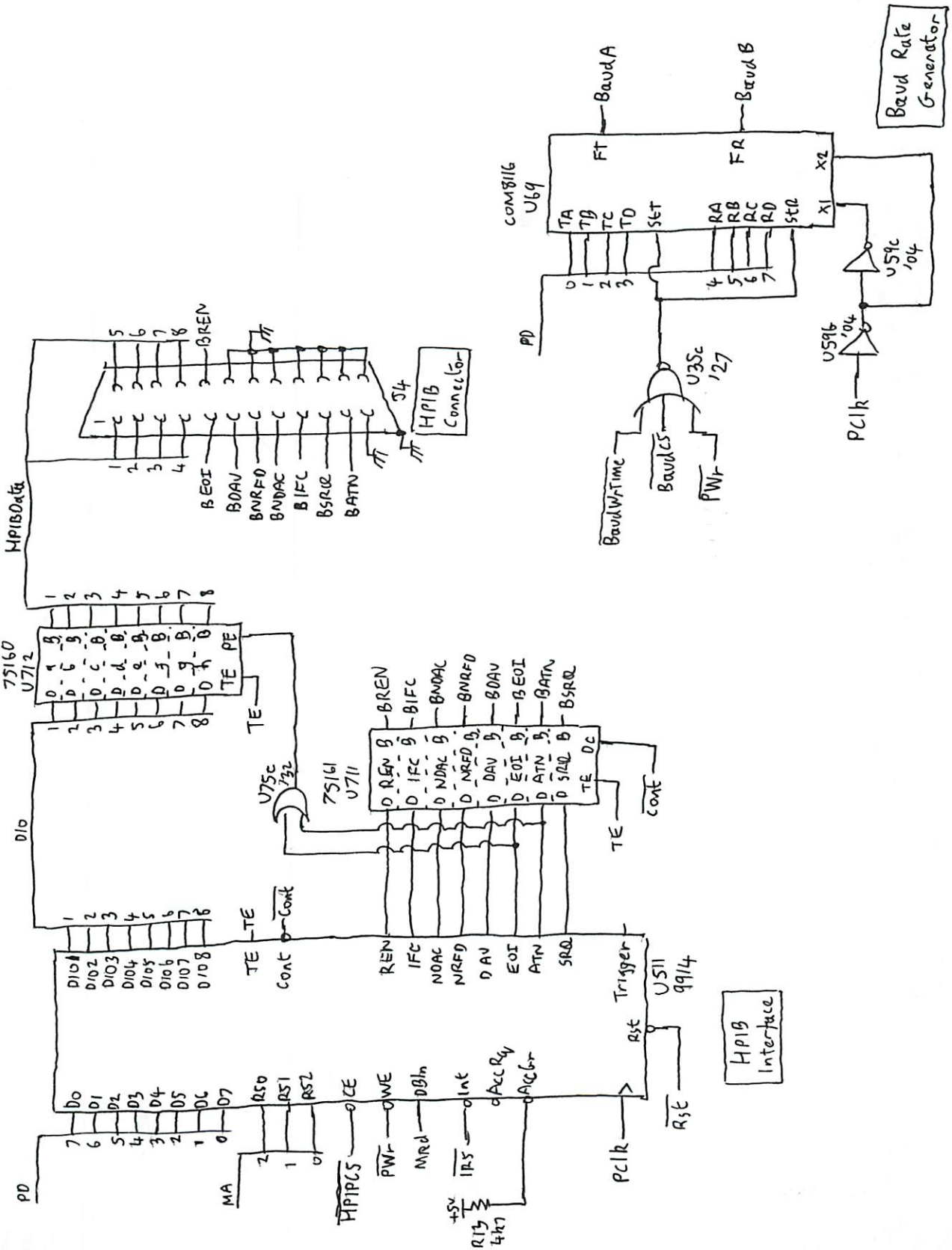


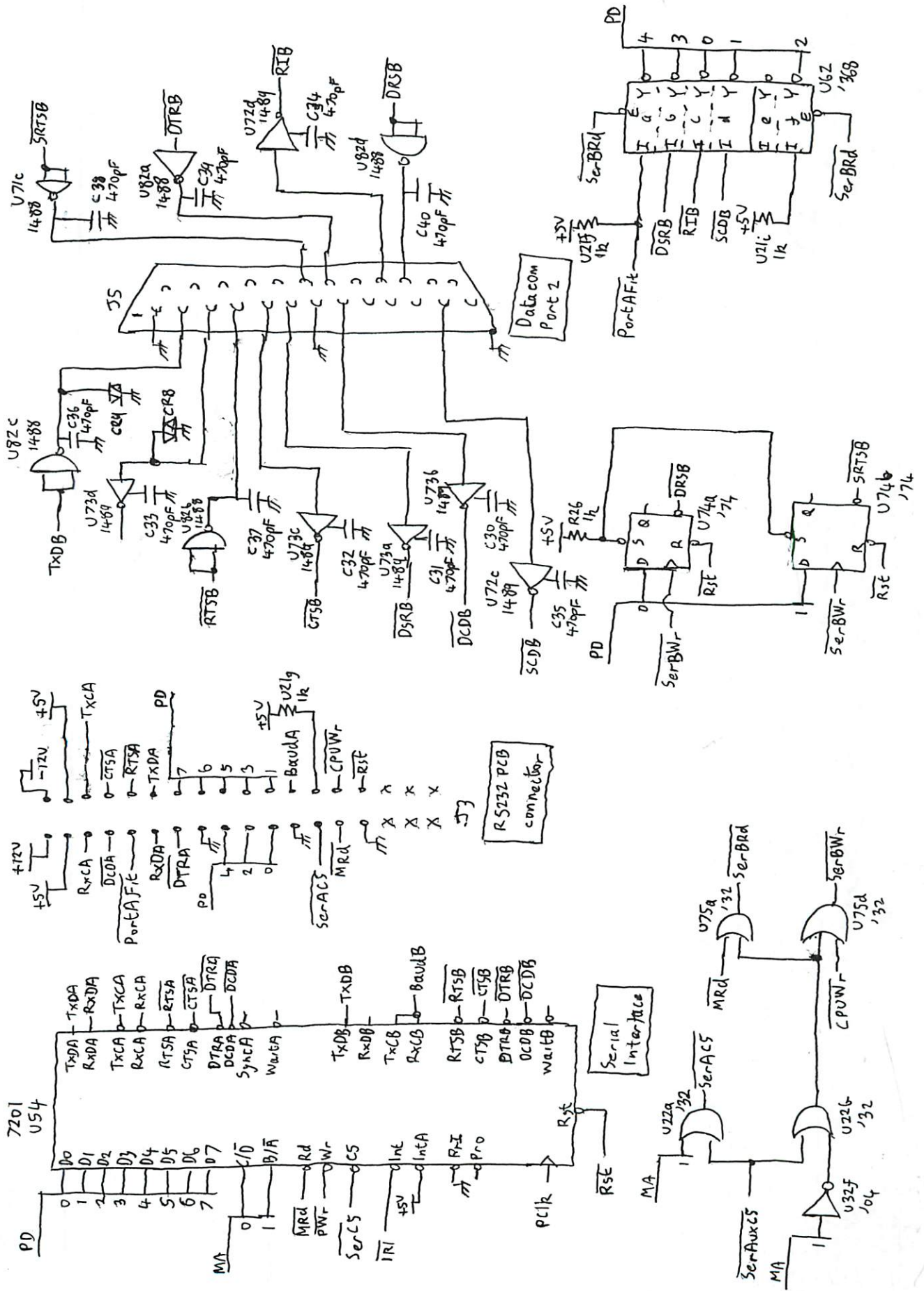


45611-60002

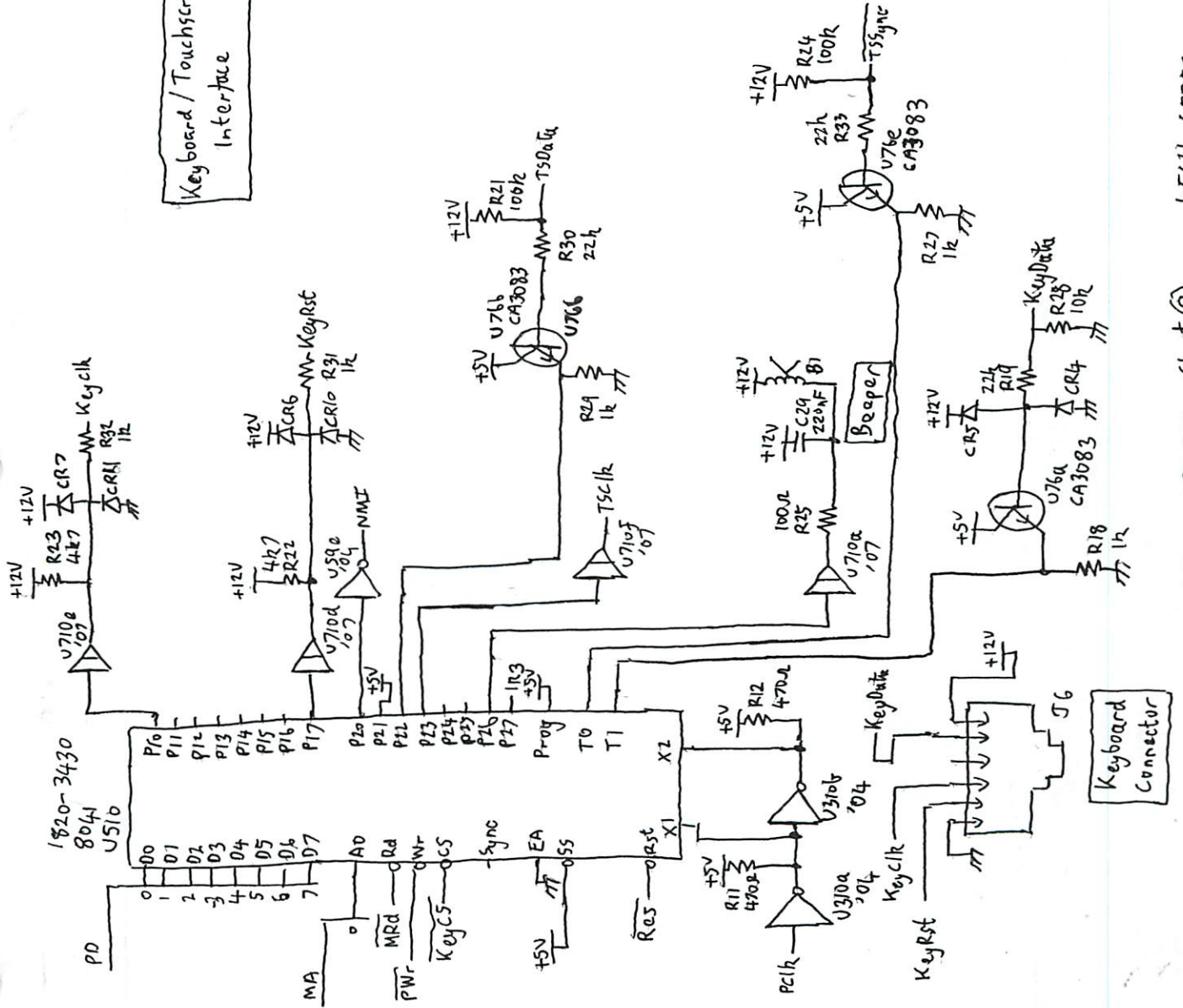
HP150 CPU PCB Sheet 5

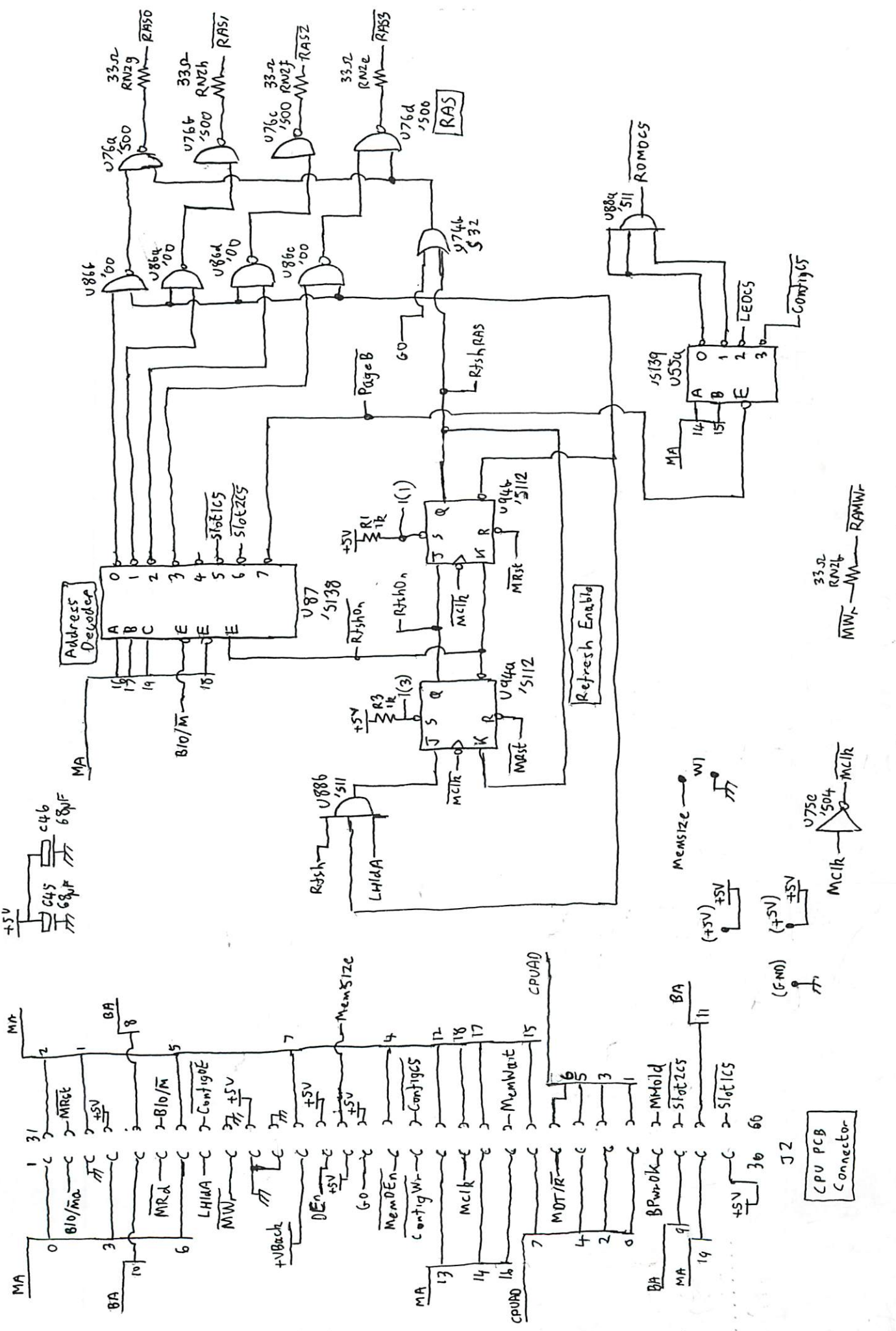
J2





Keyboard / Touchscreen Interface

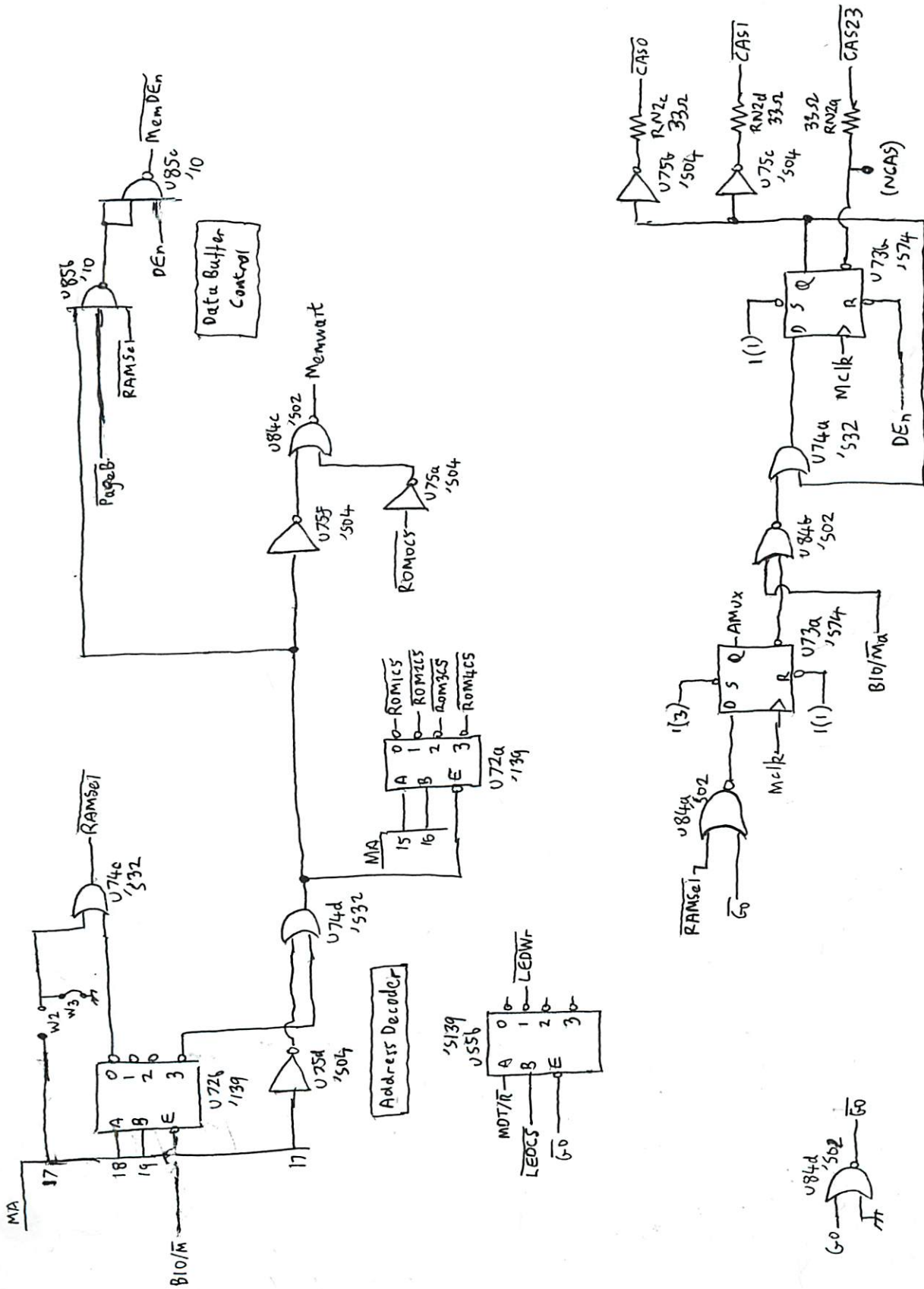


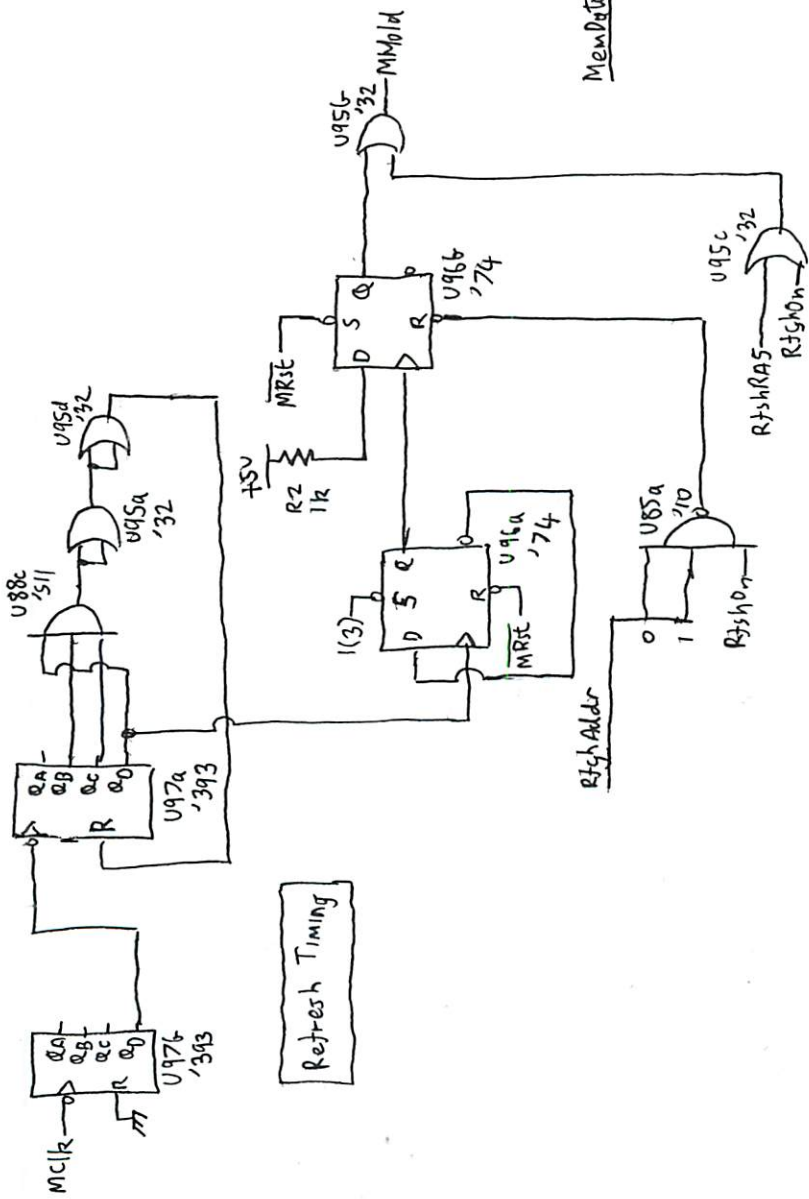
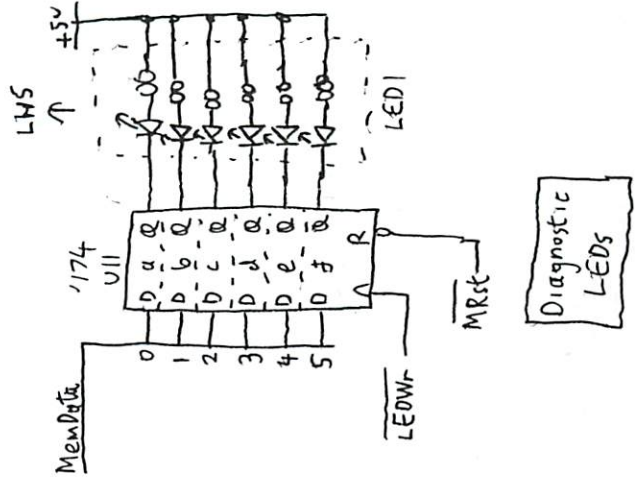
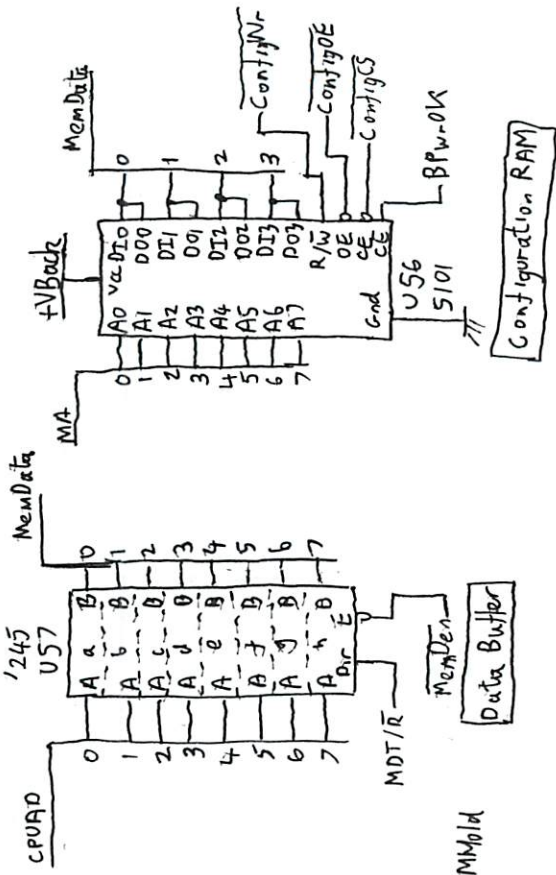


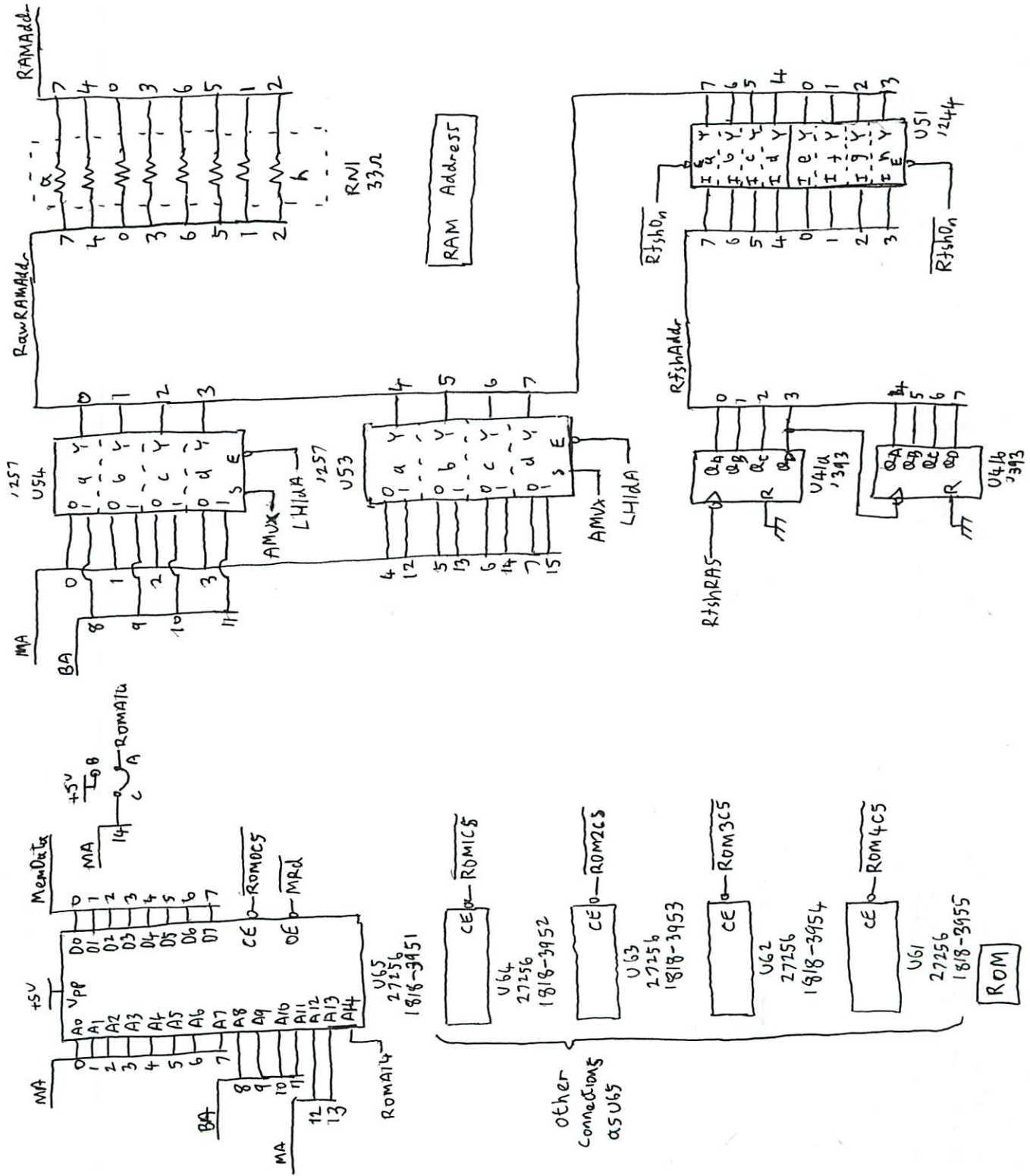
HP150

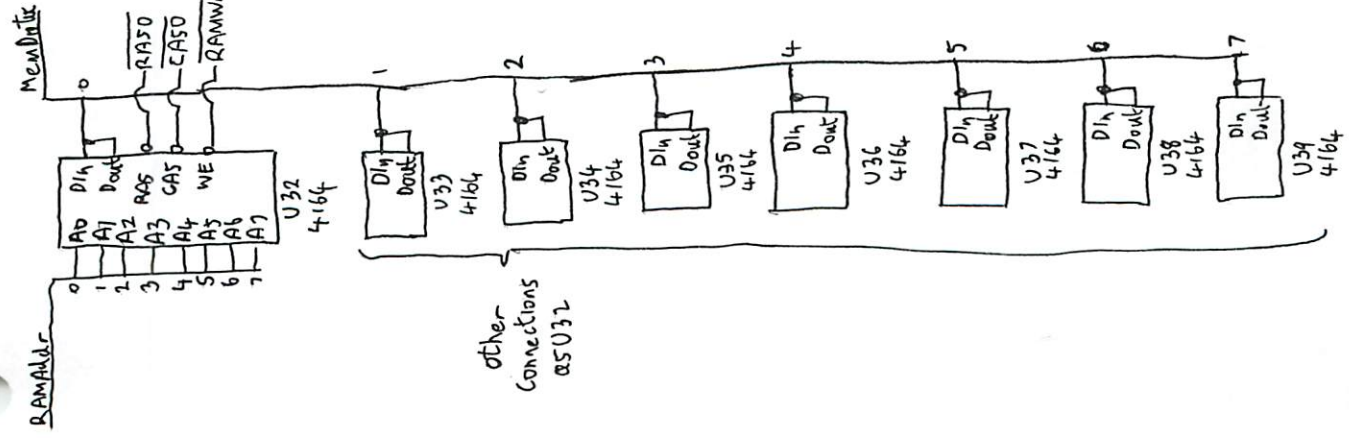
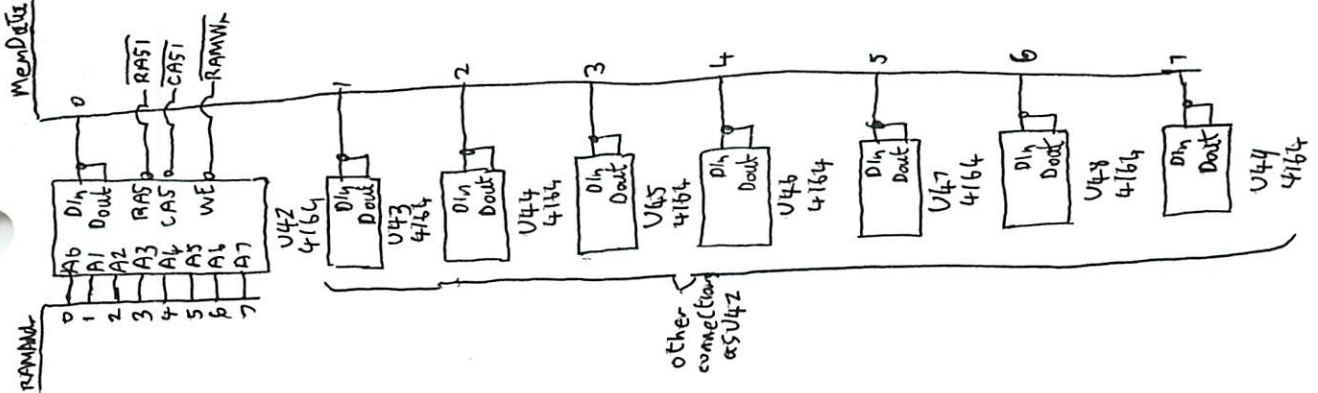
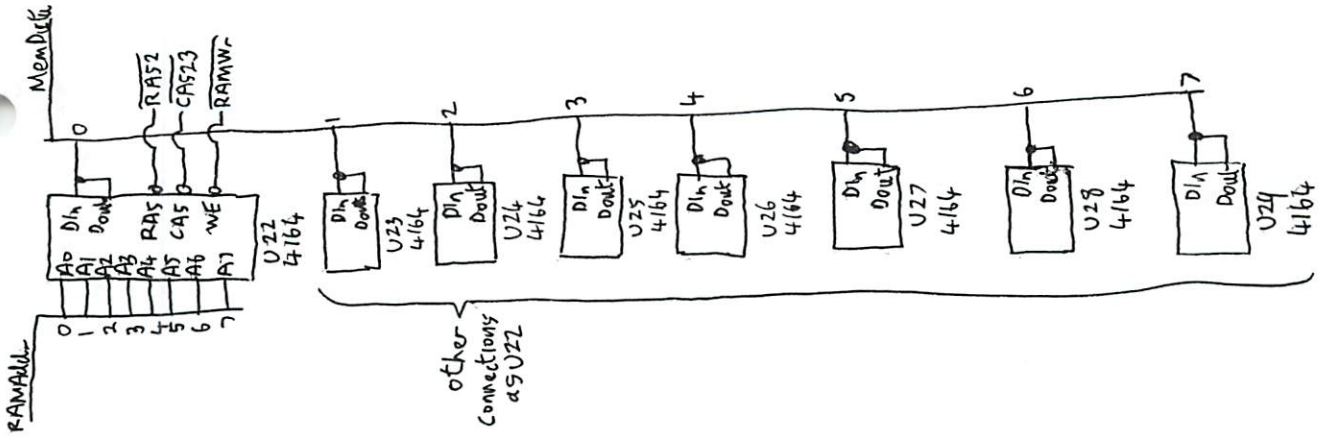
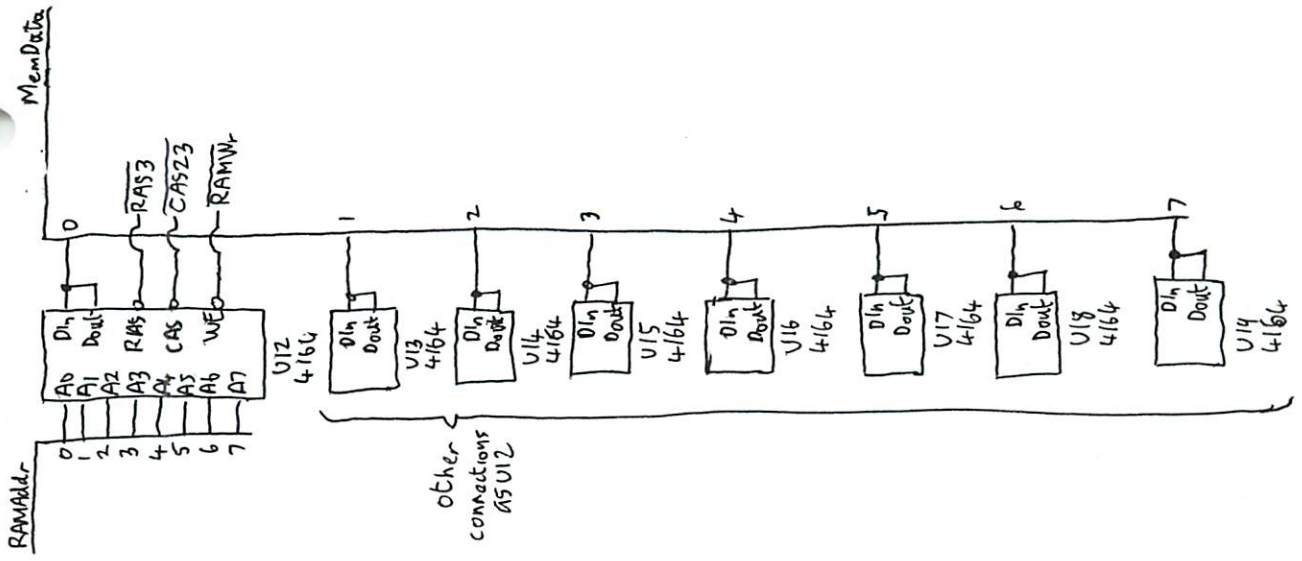
Memory PCB Sheet ①

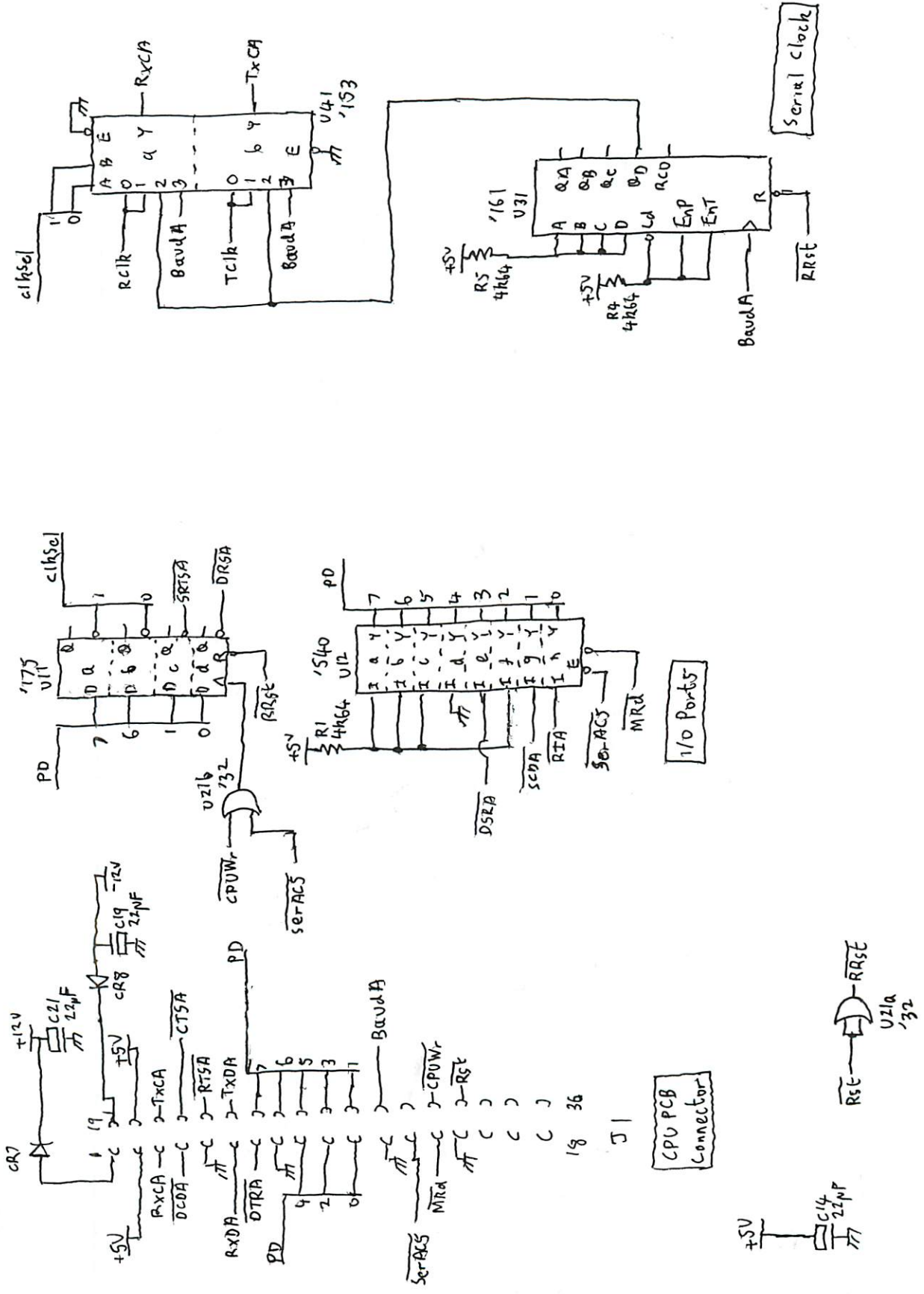
45611-60006

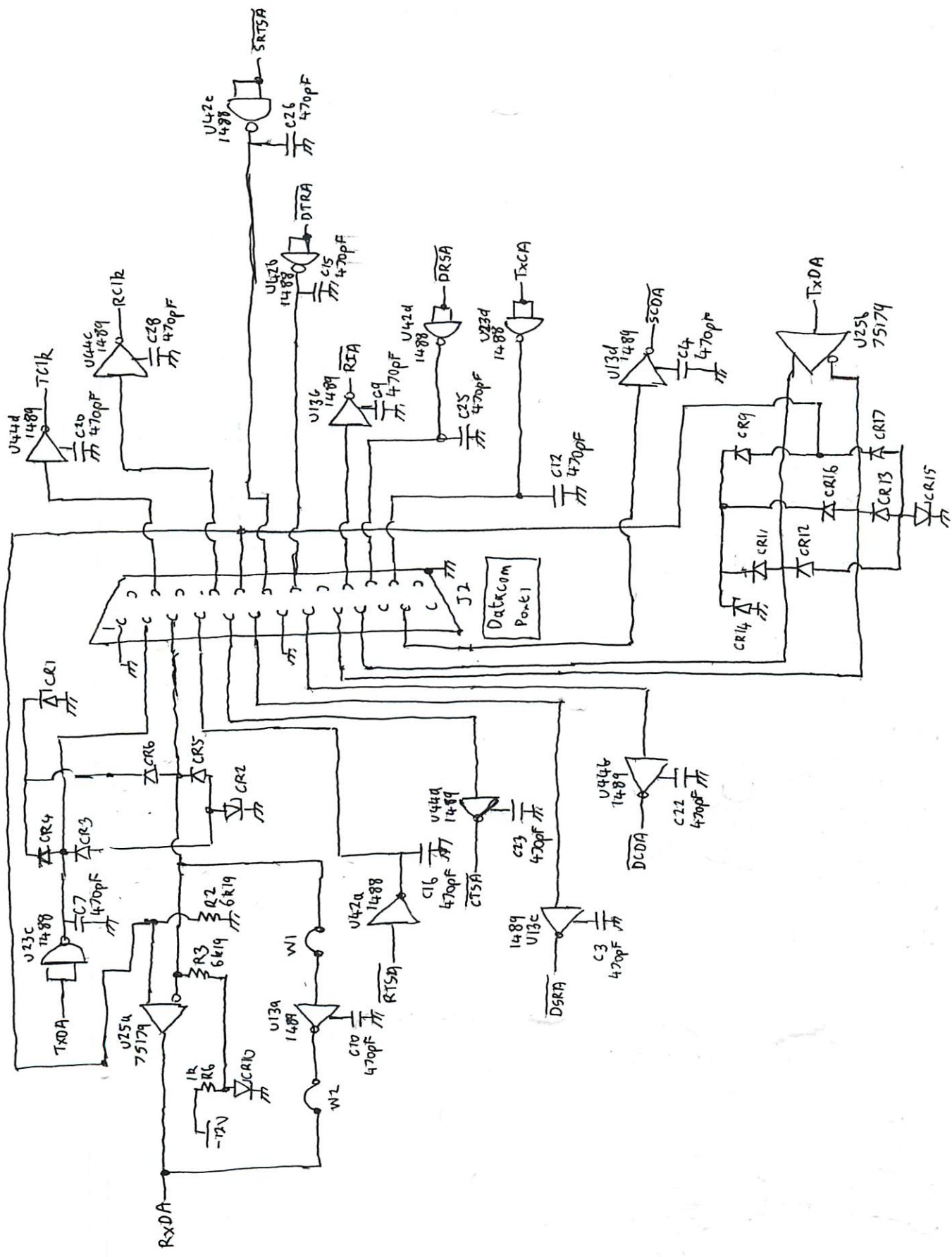


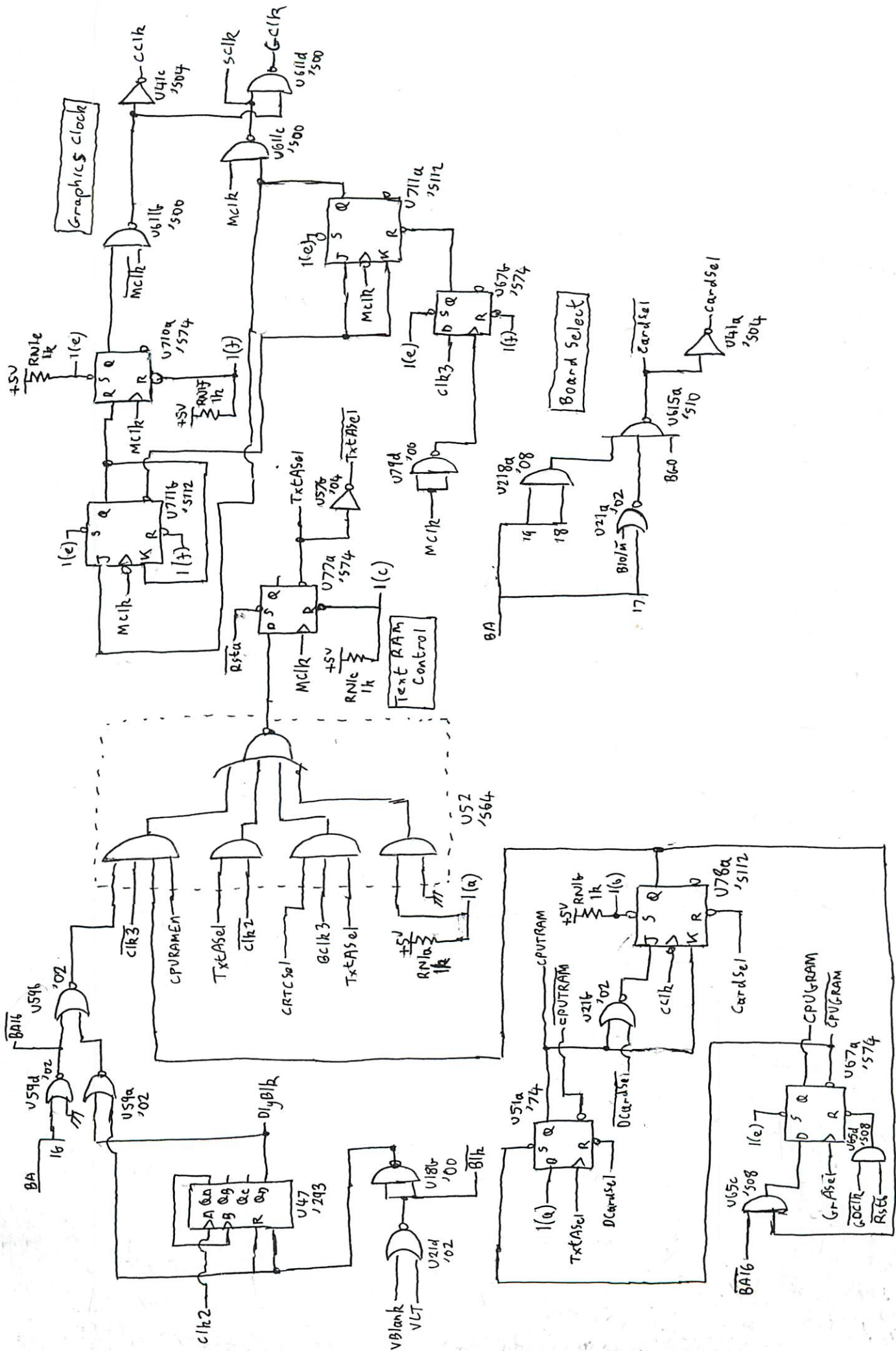


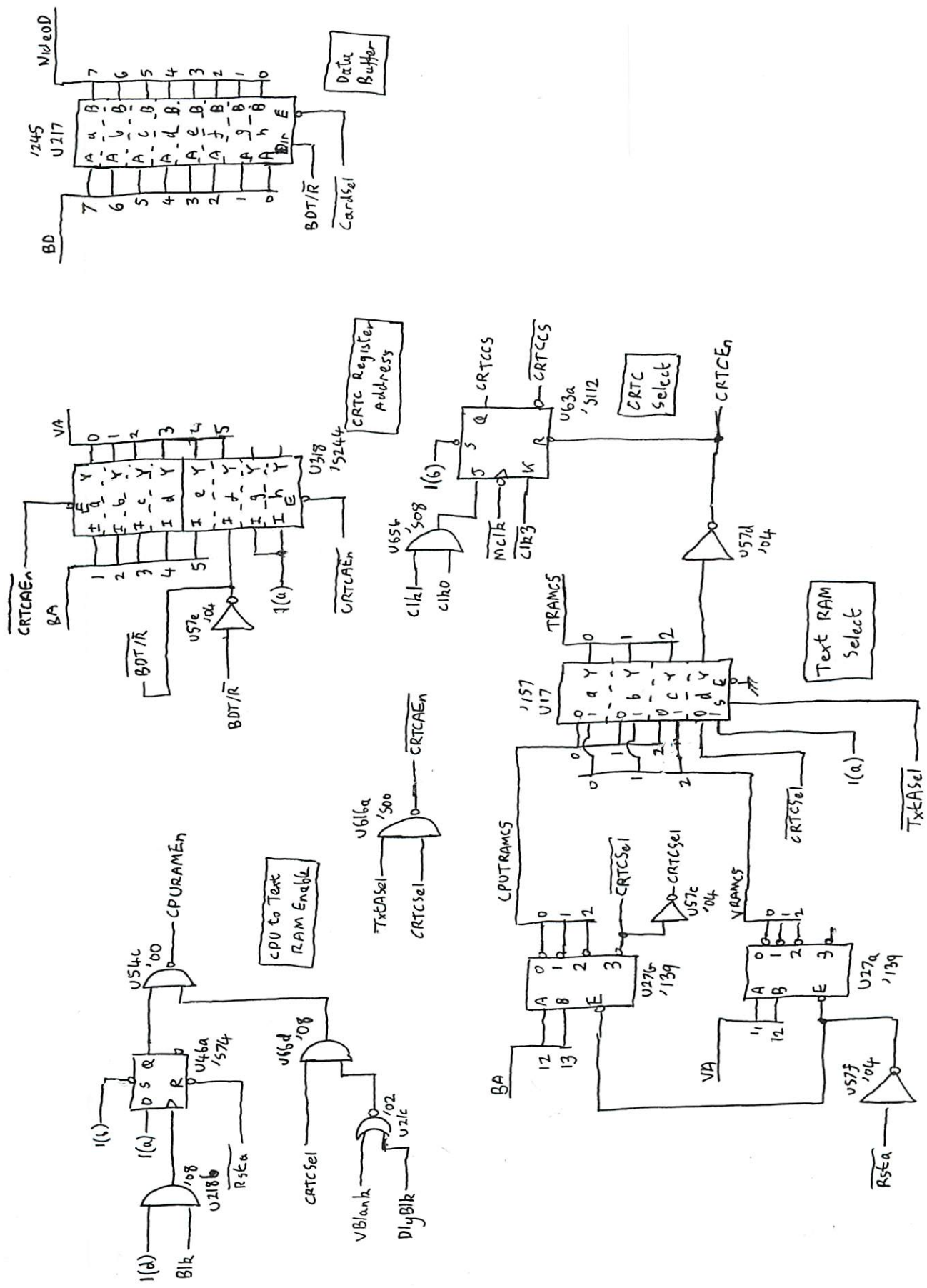


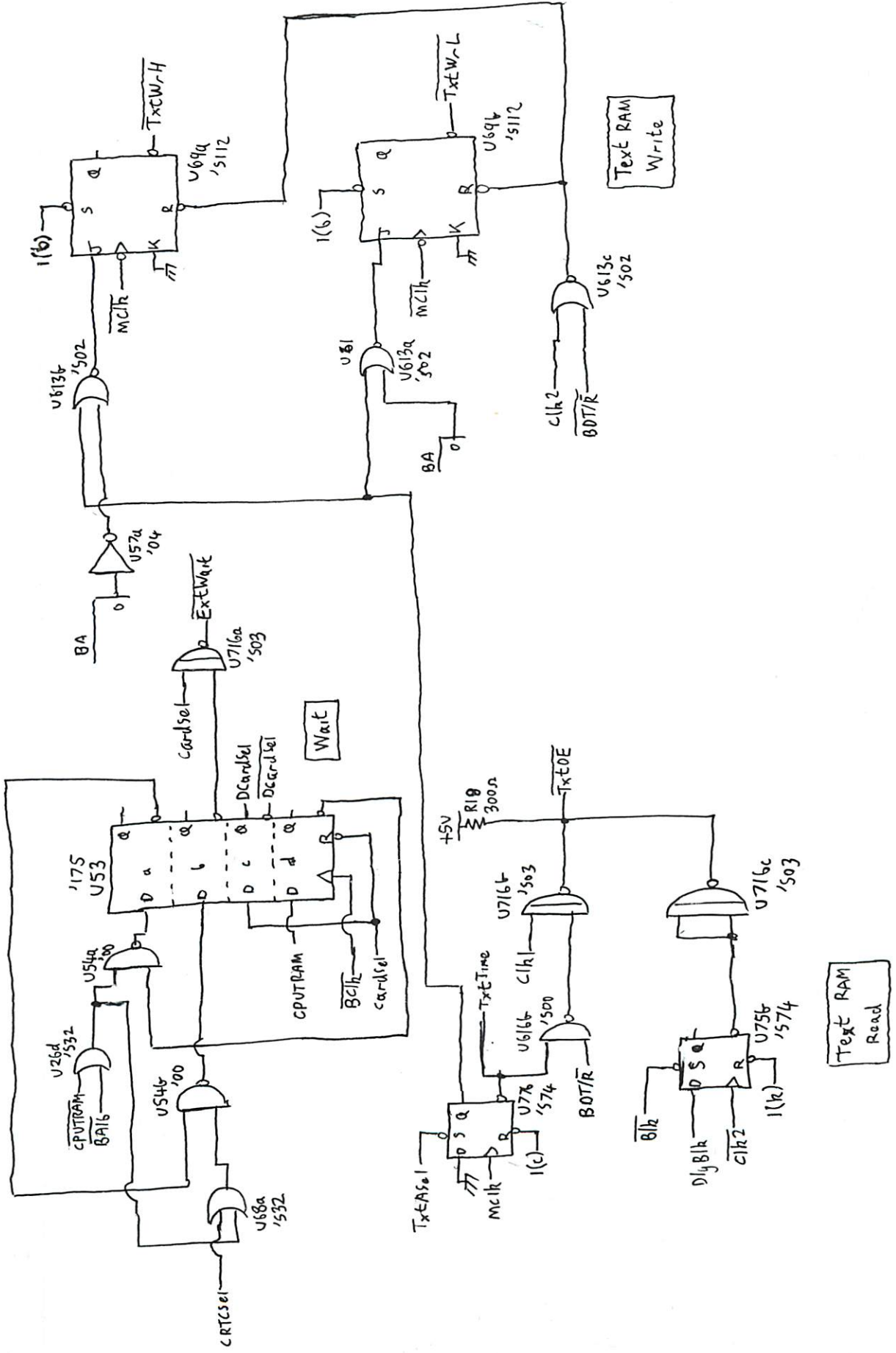


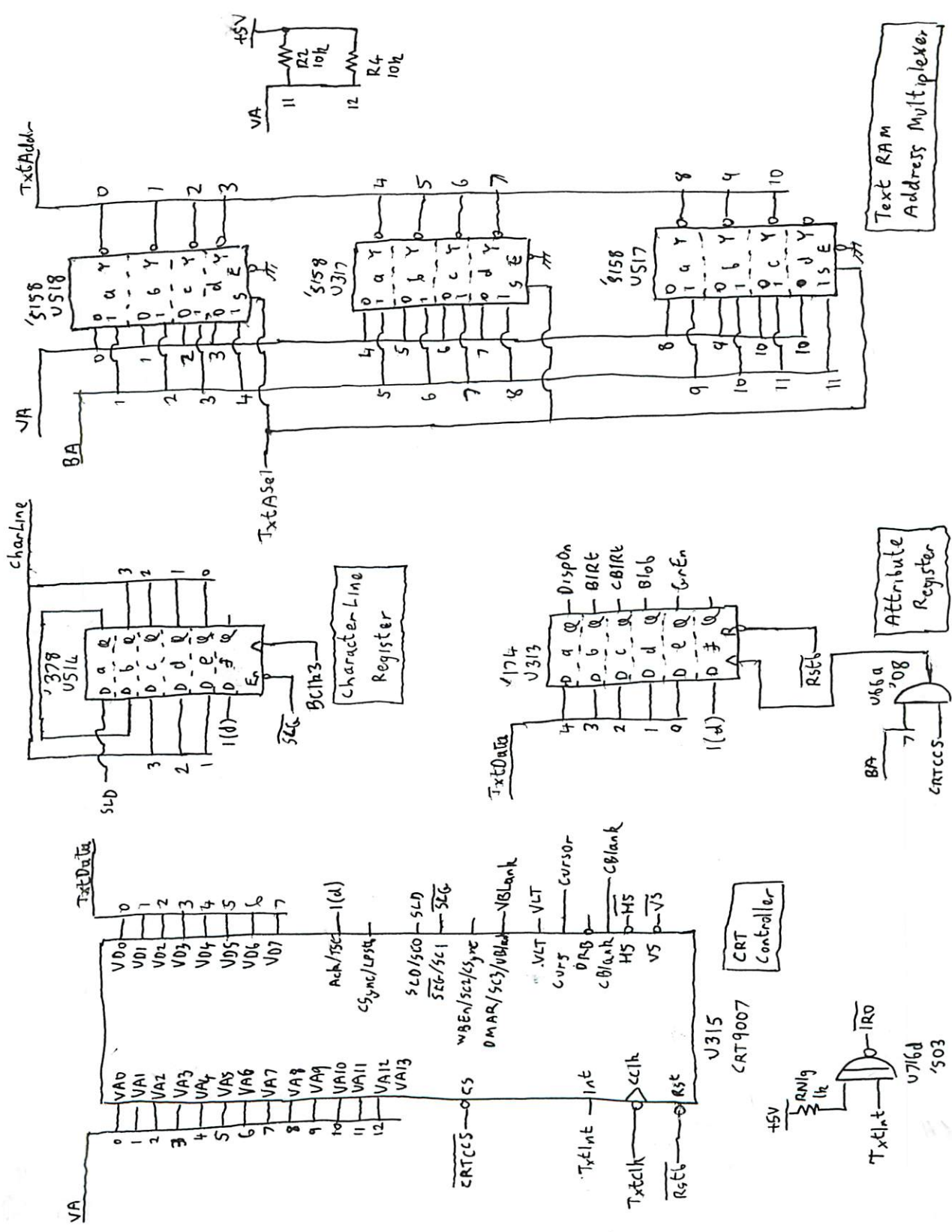


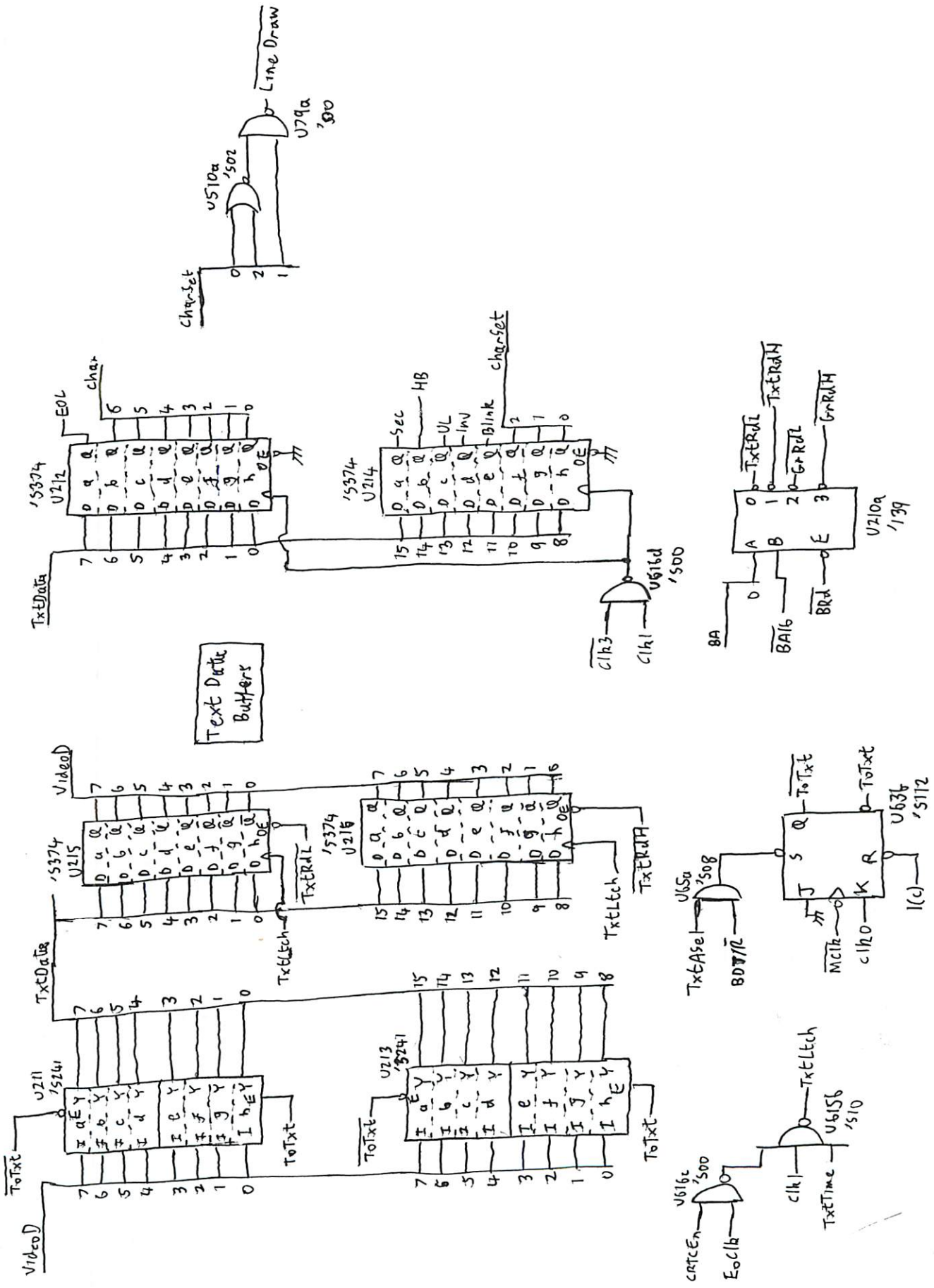


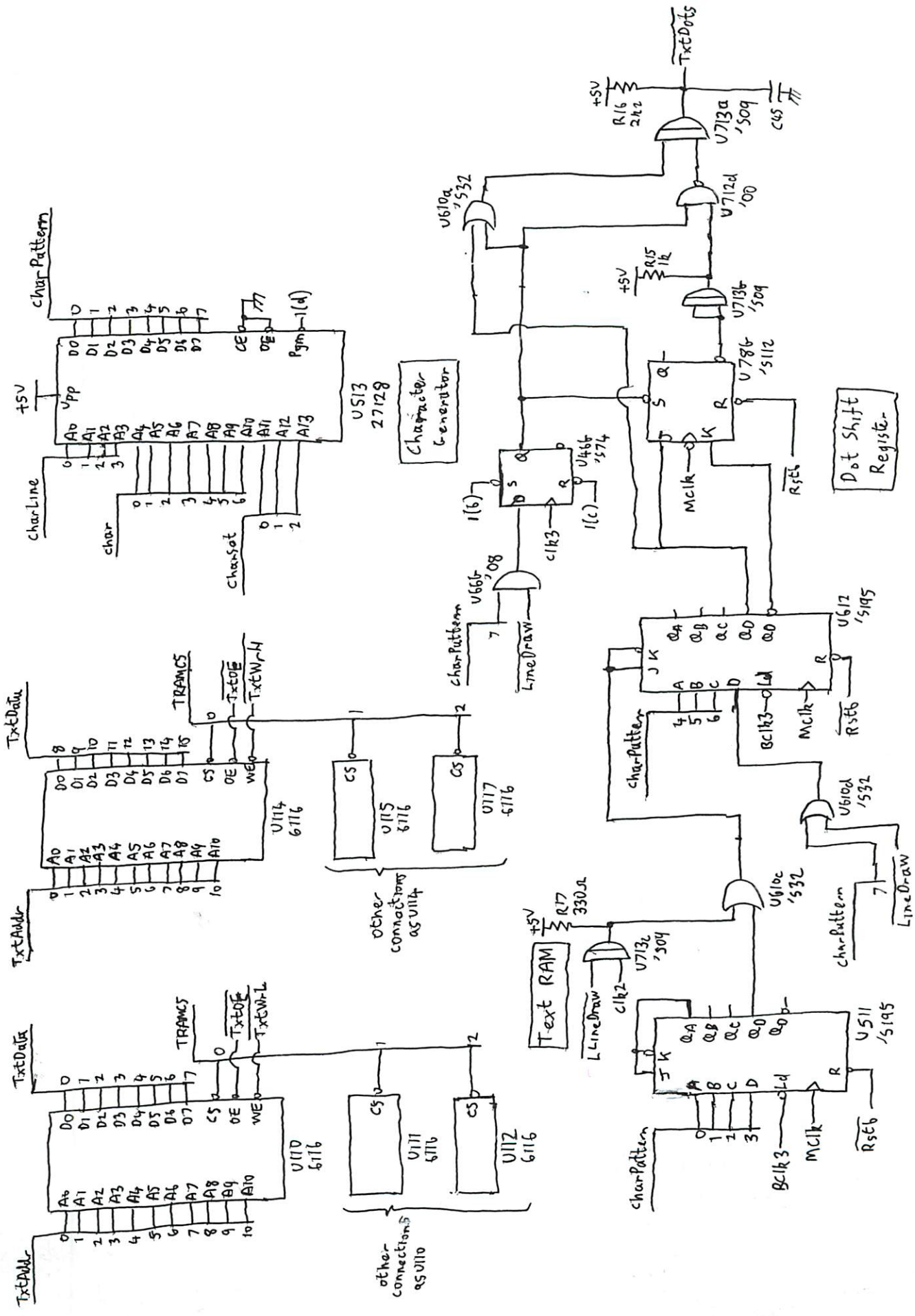


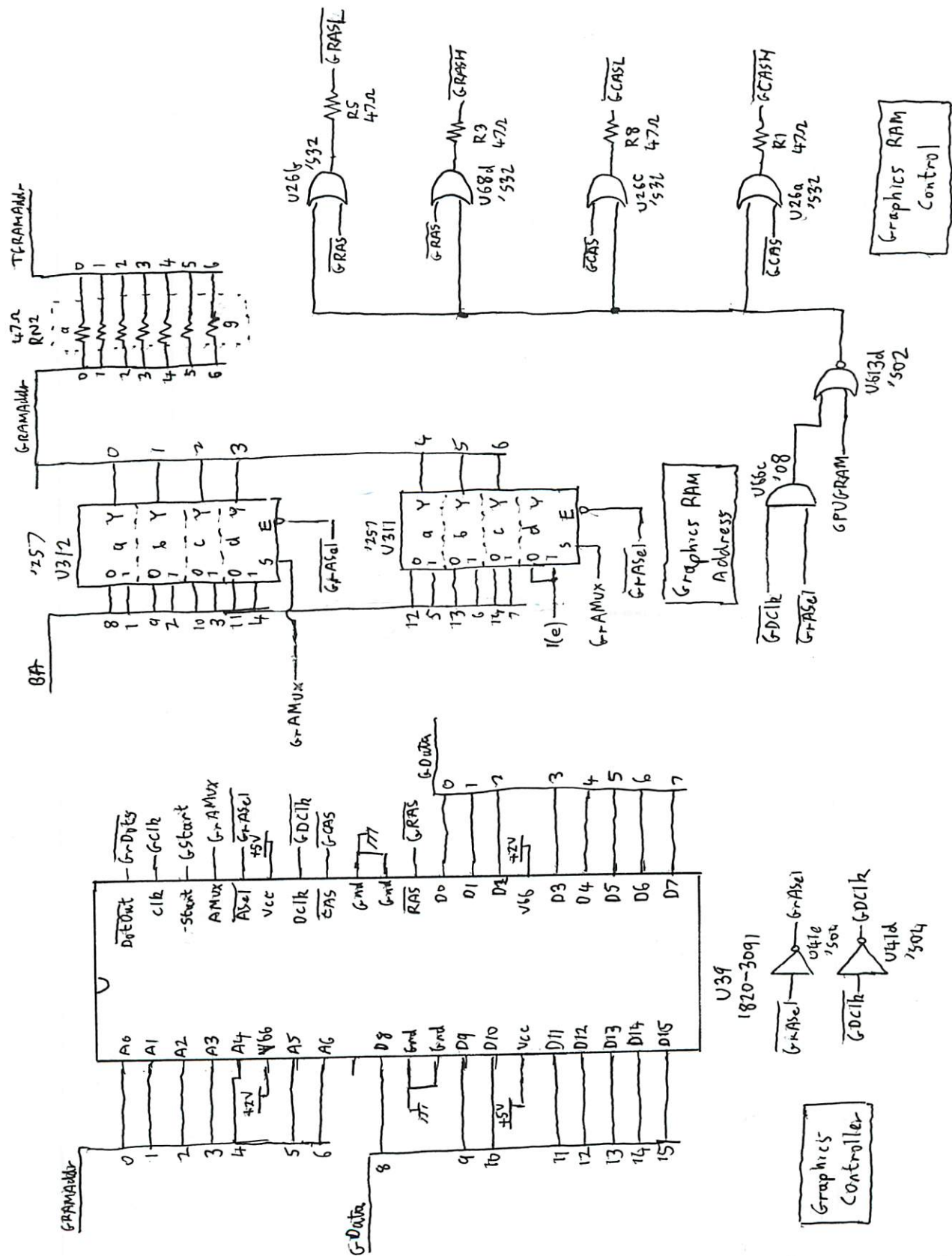


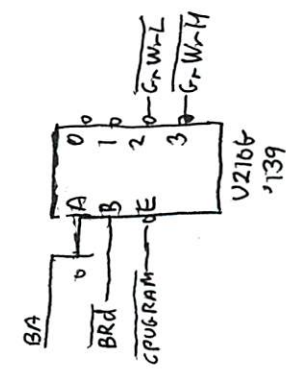
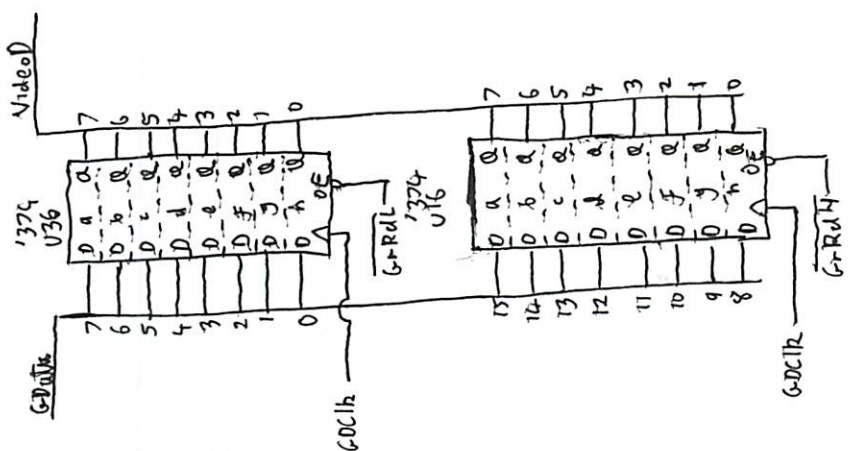
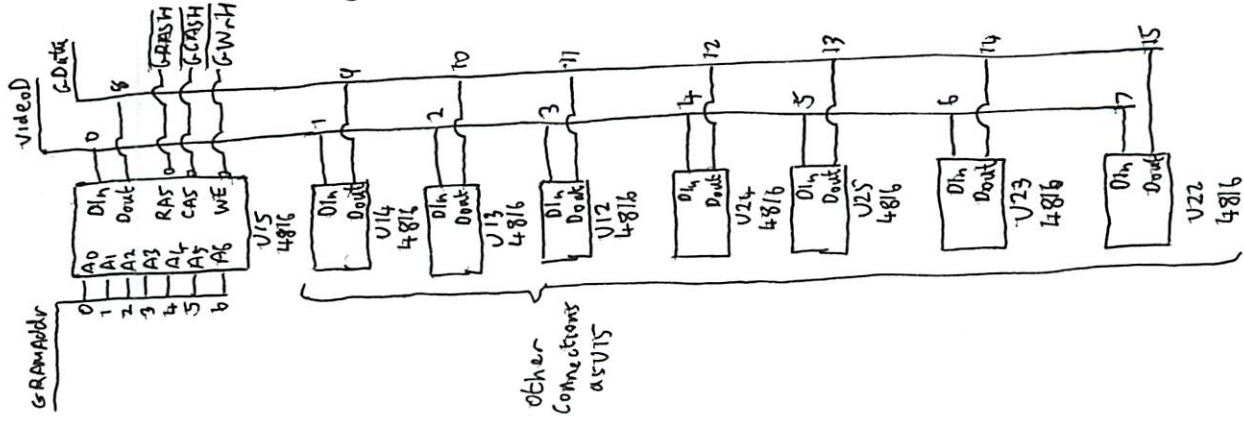
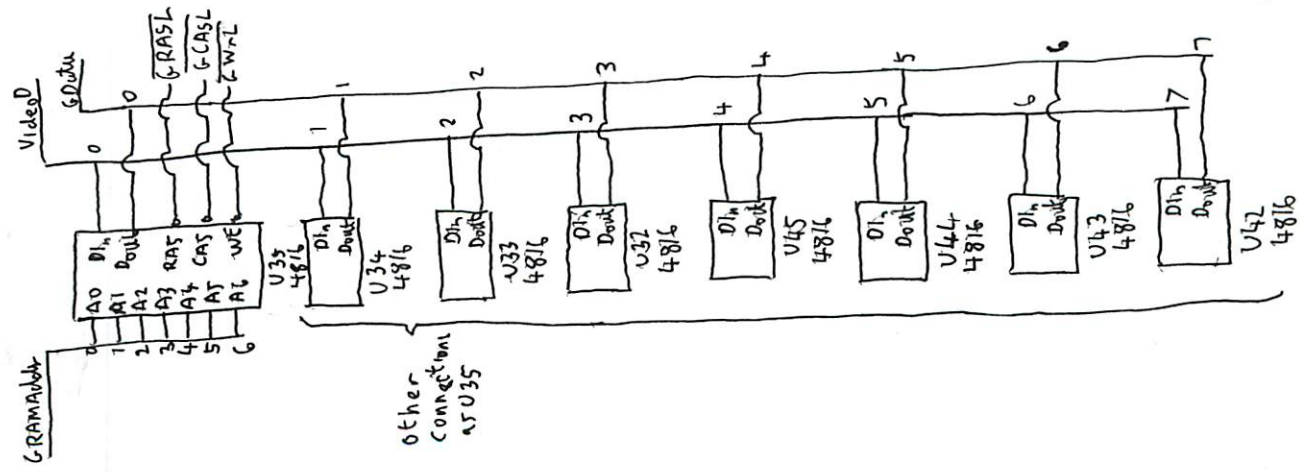




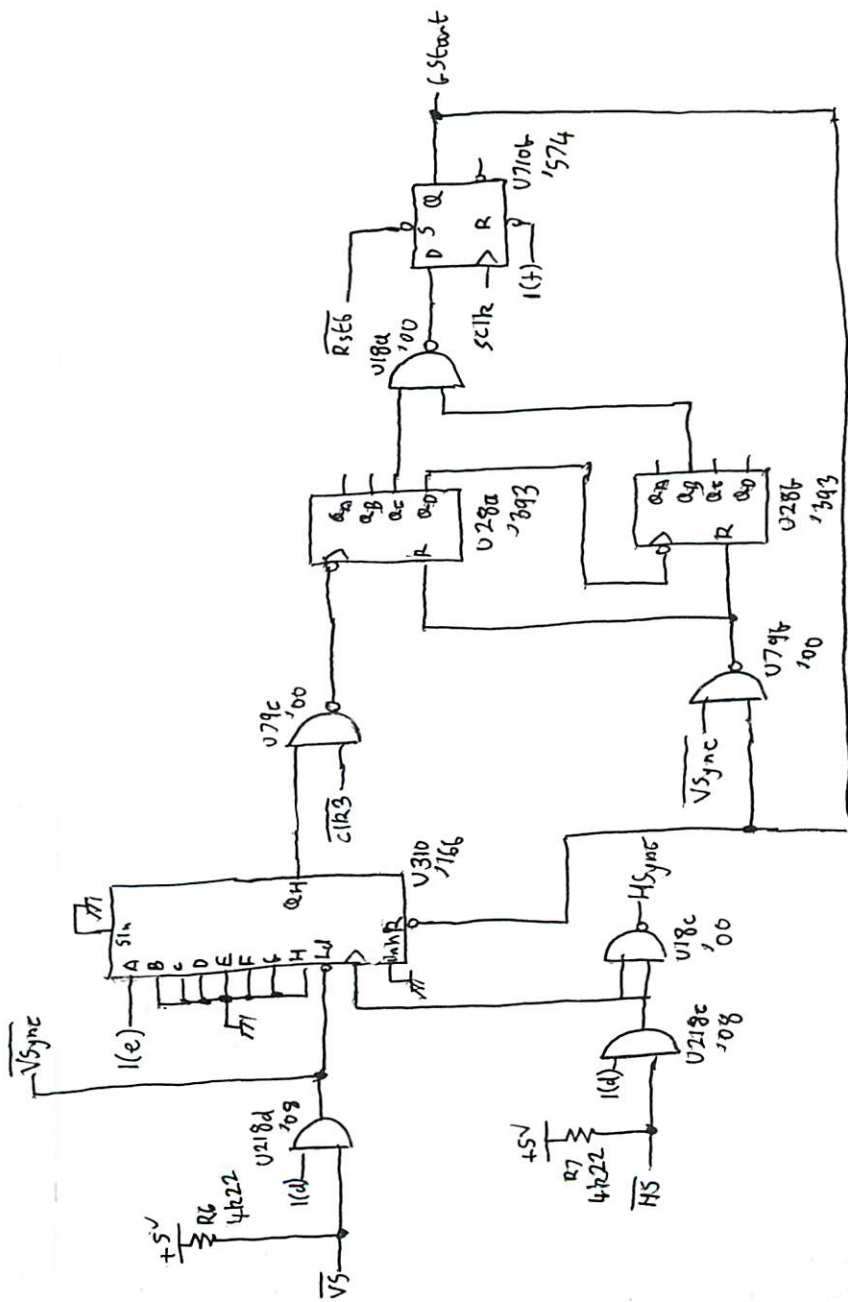




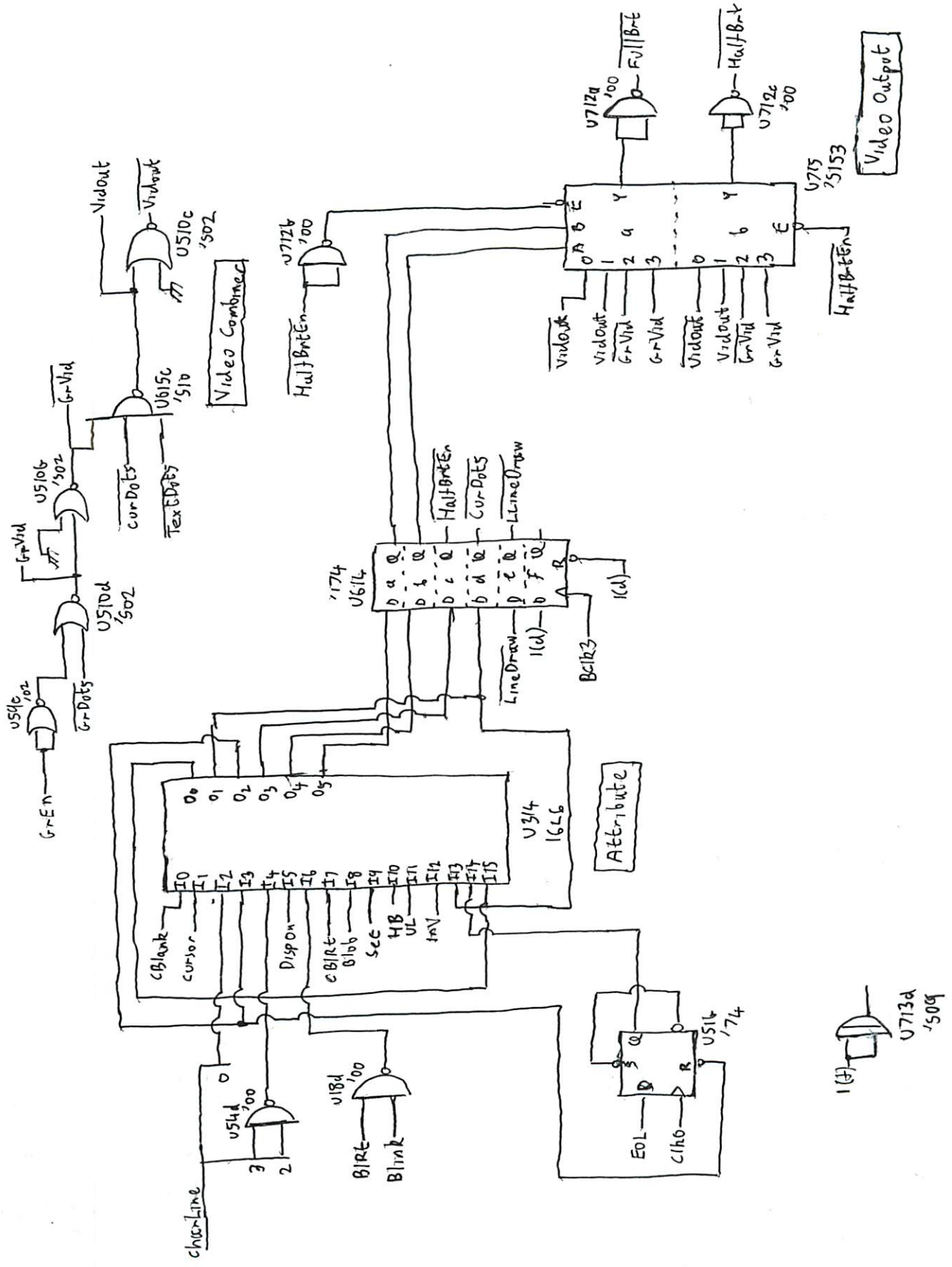


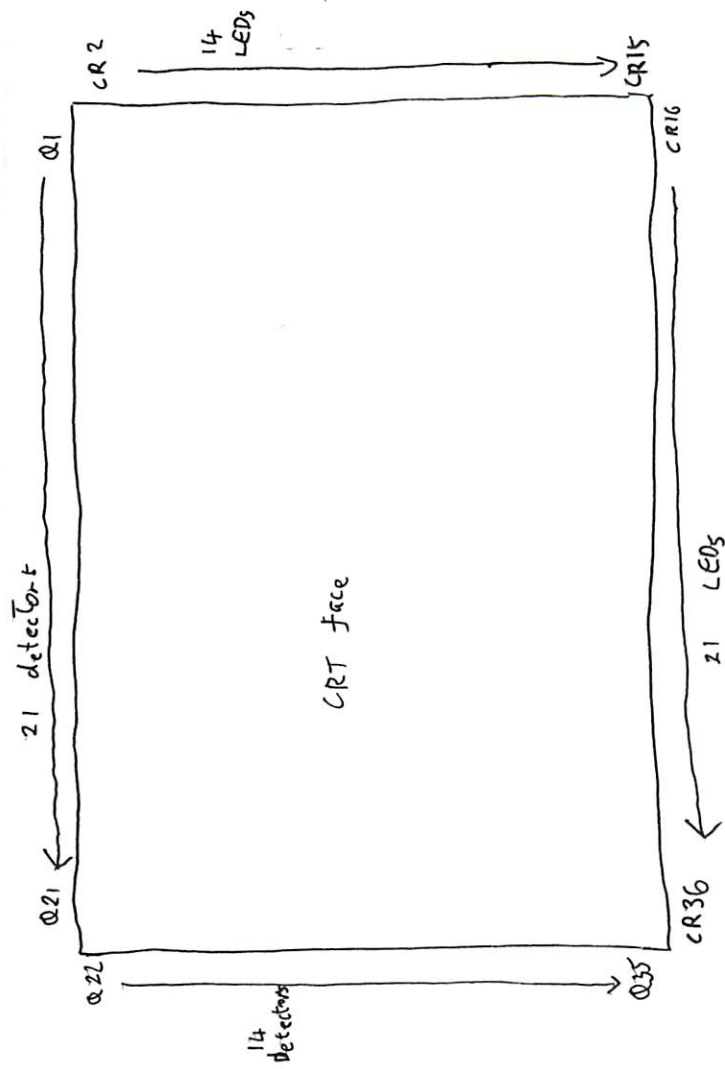


Graphics RAM

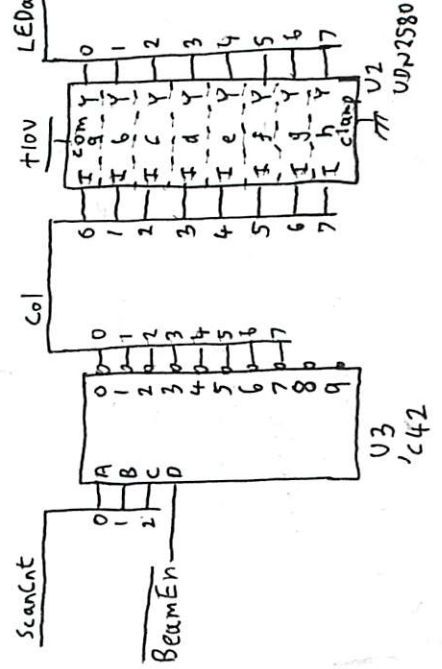
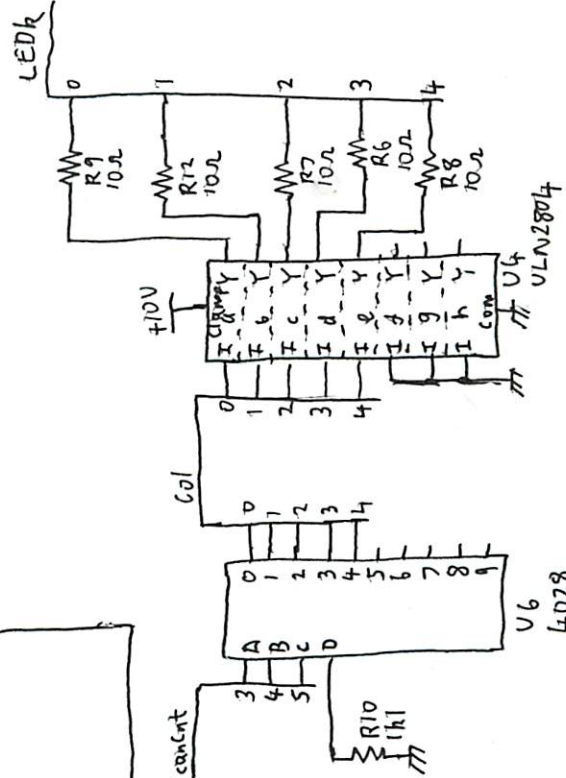
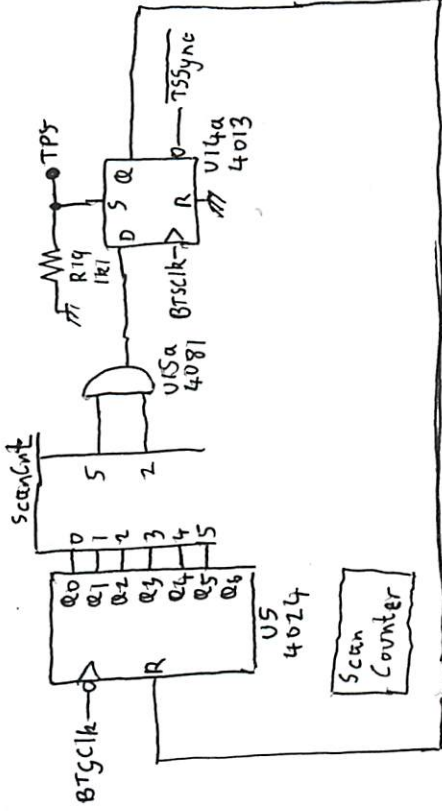
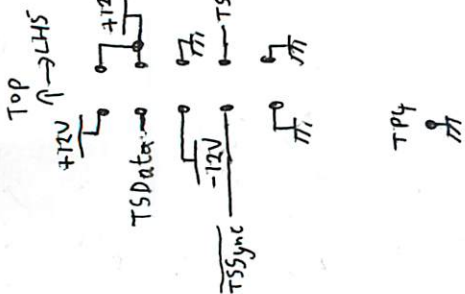
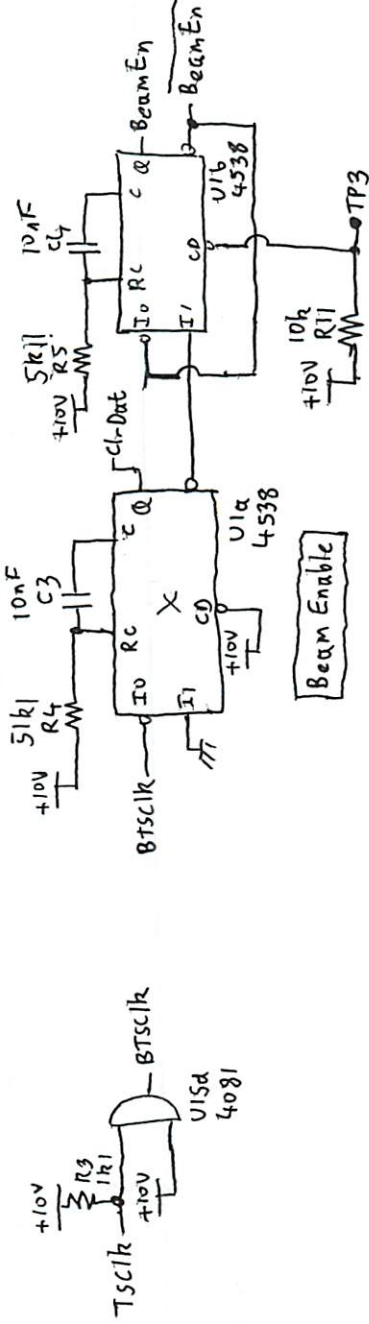


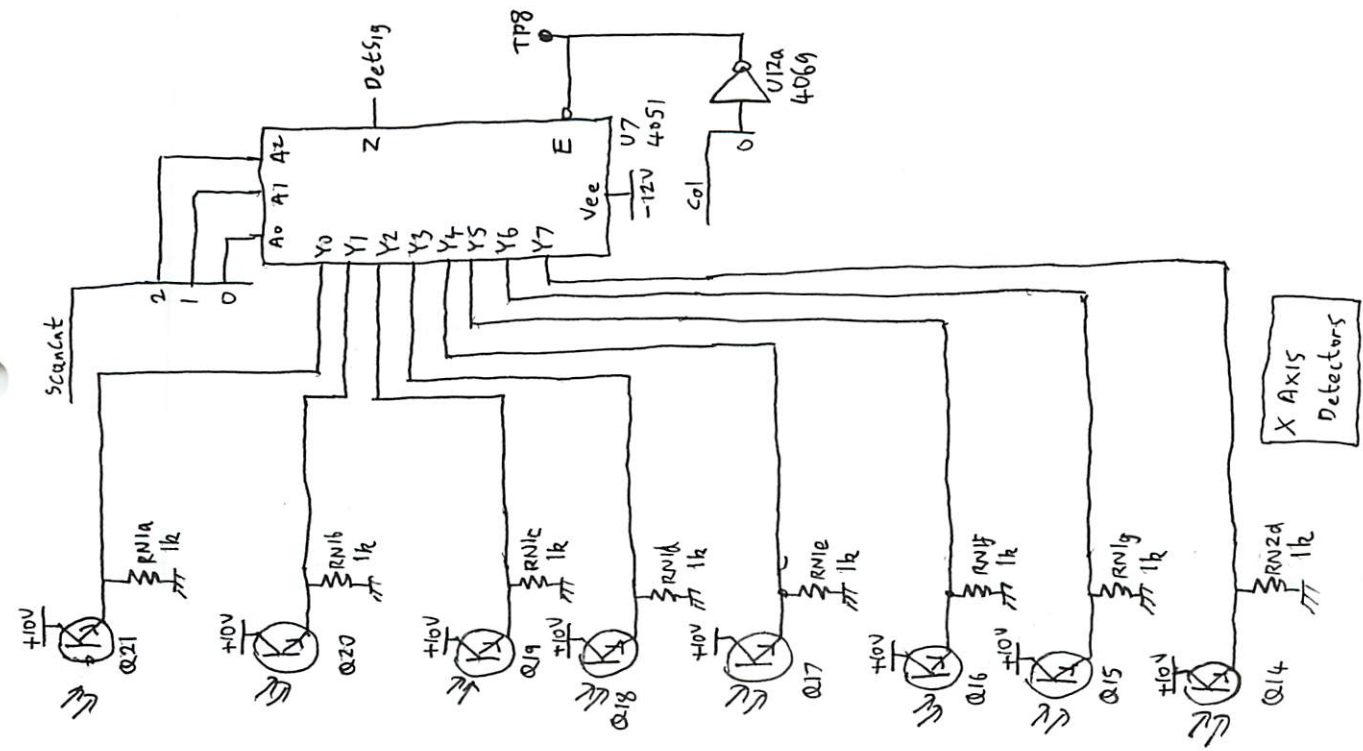
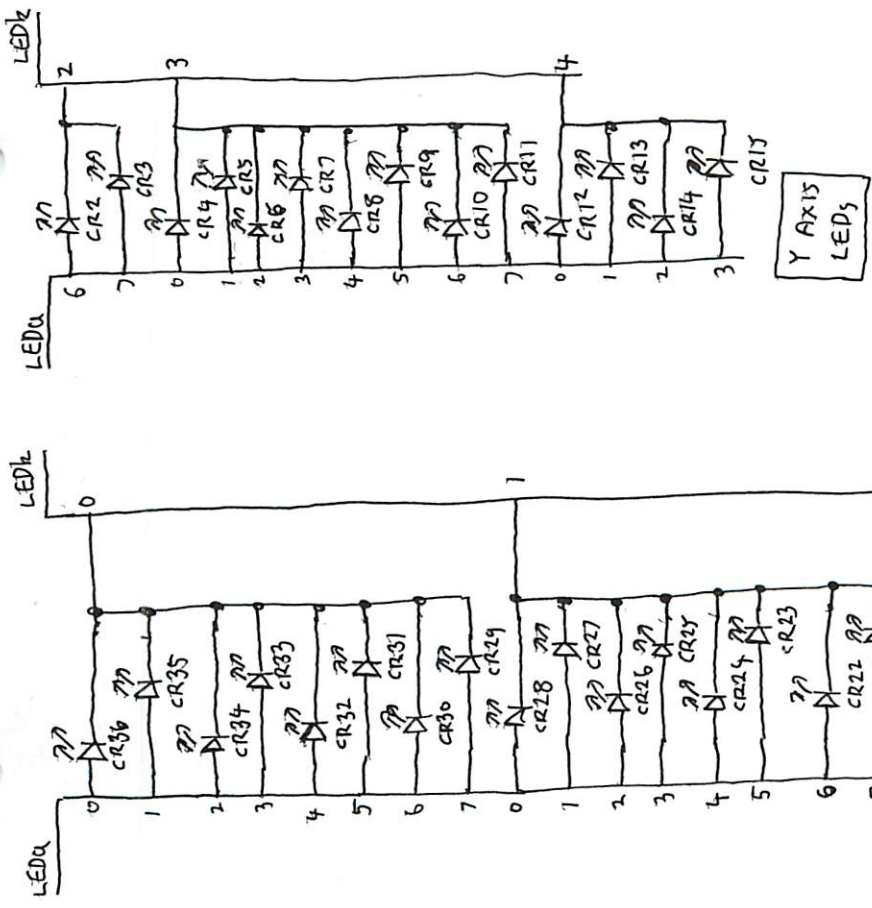
Sync

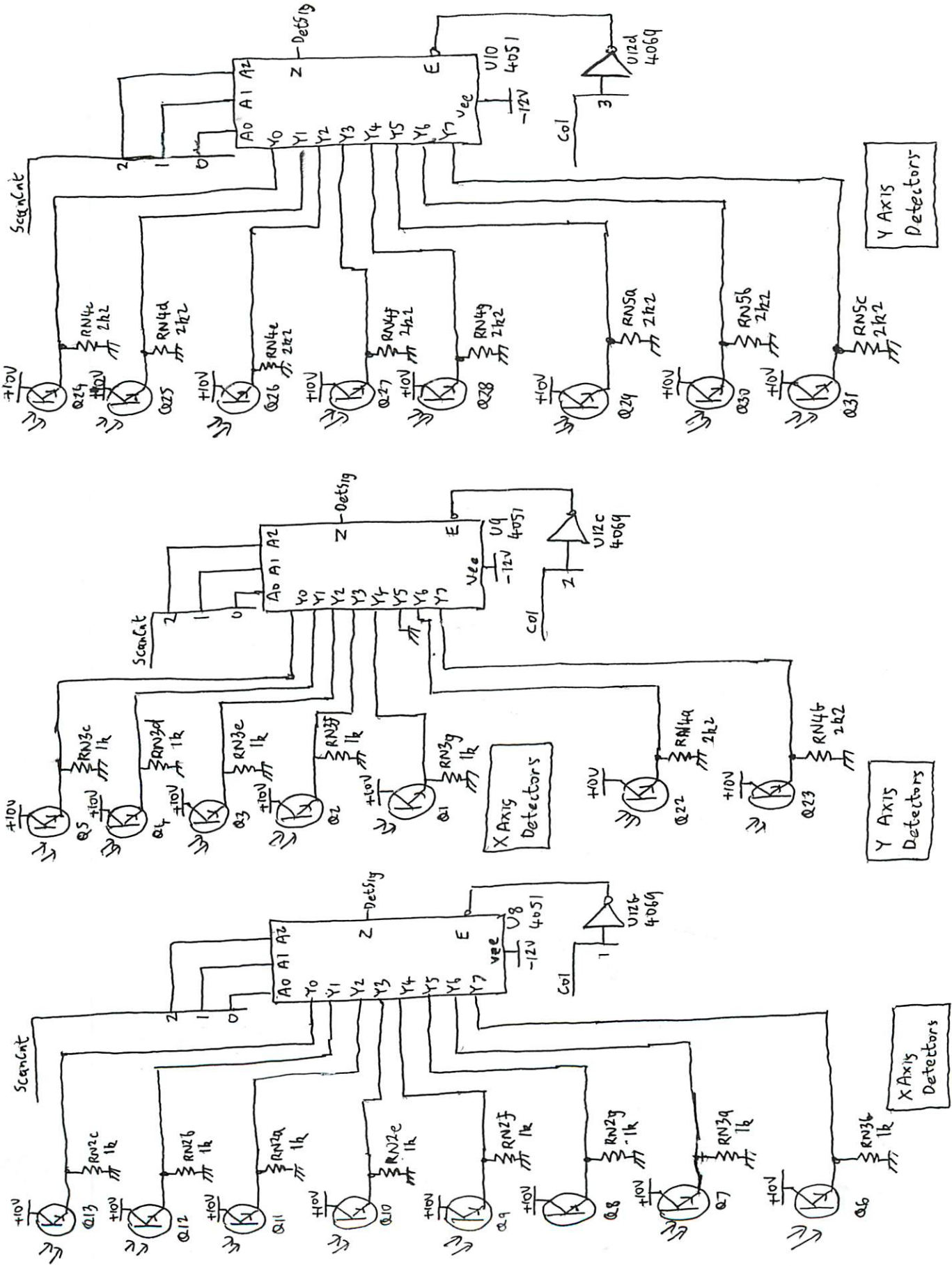


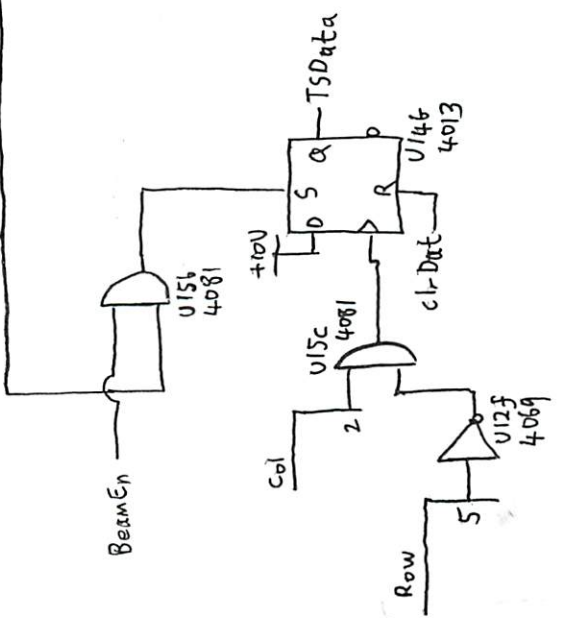
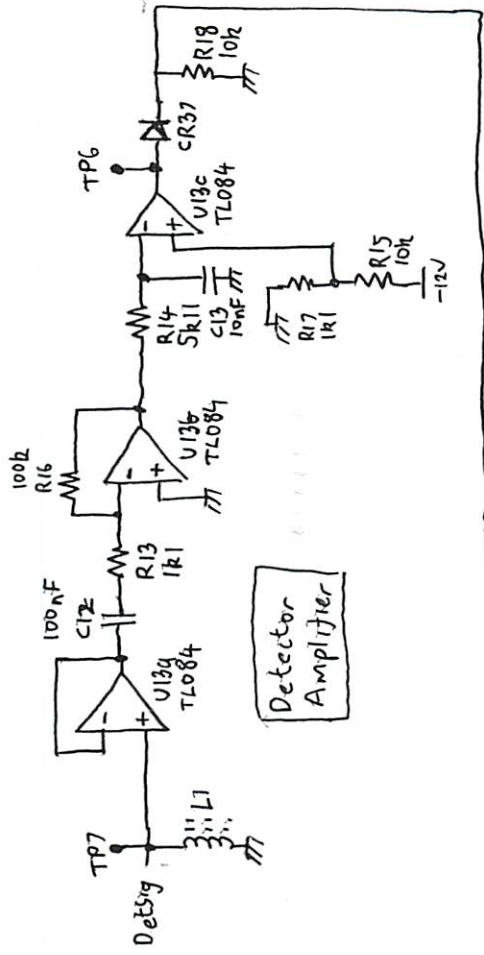
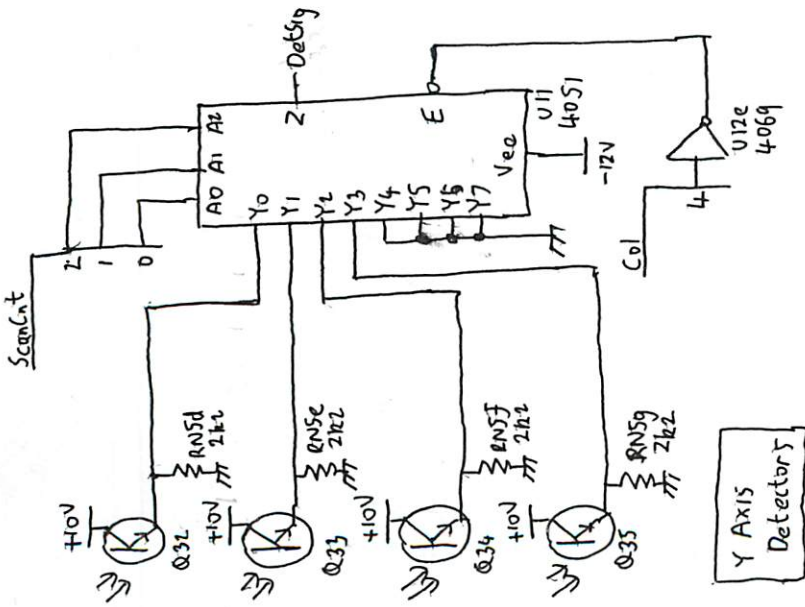


HP150 Touchscreen Layout (front view)

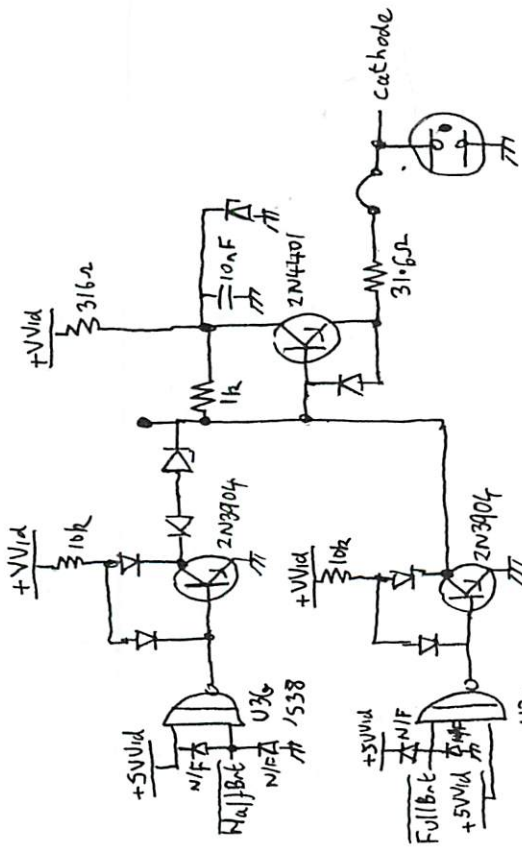
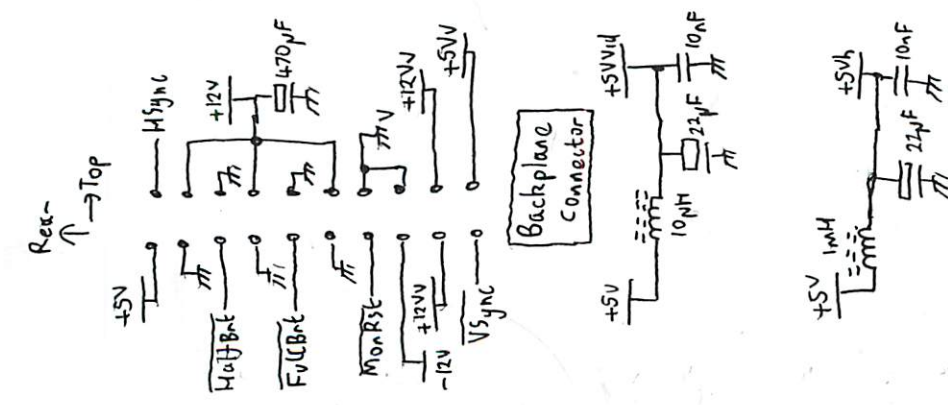








Data Output

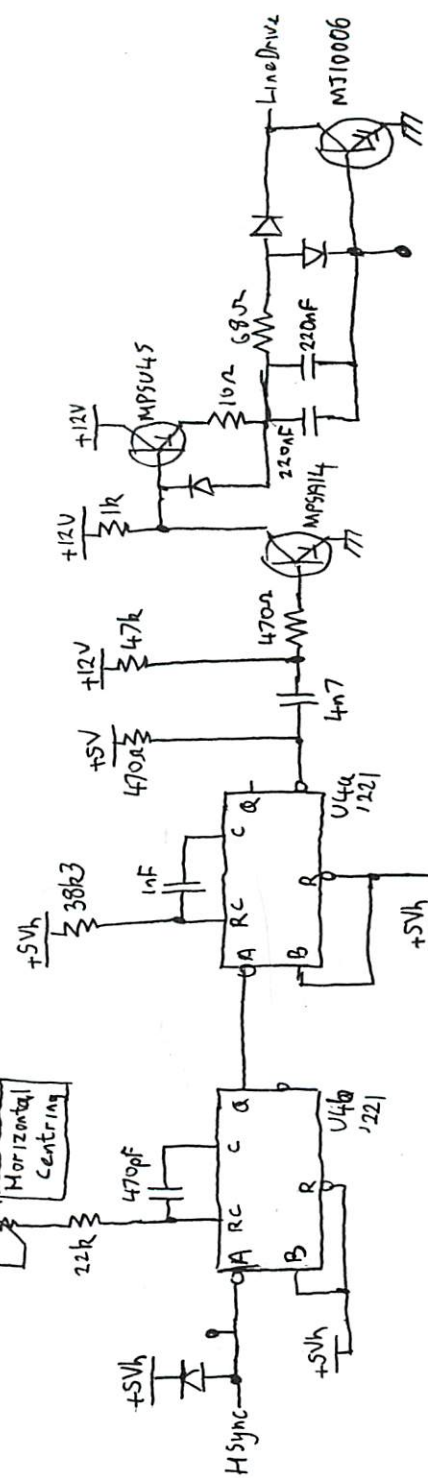


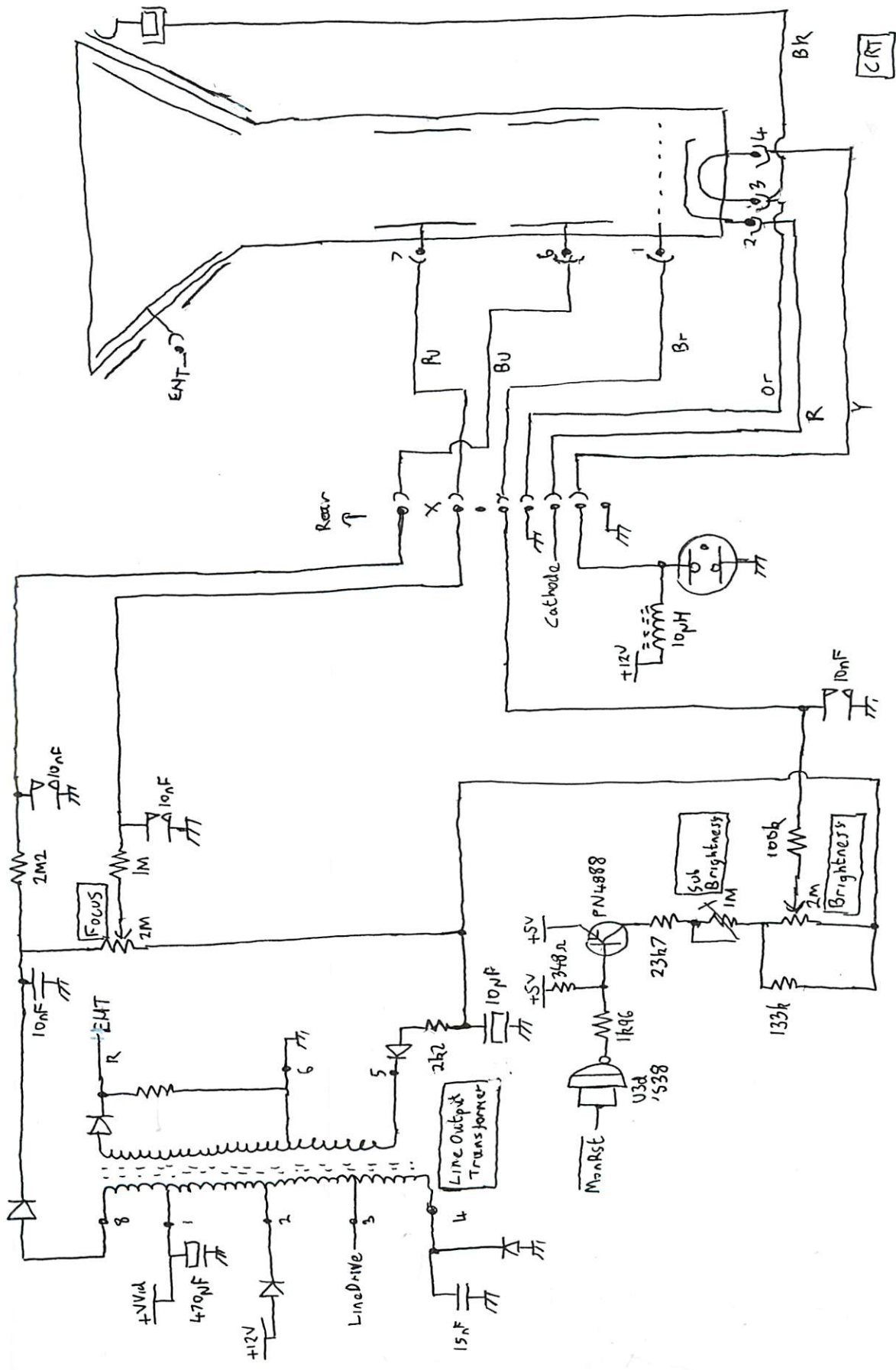
Video Amplifier

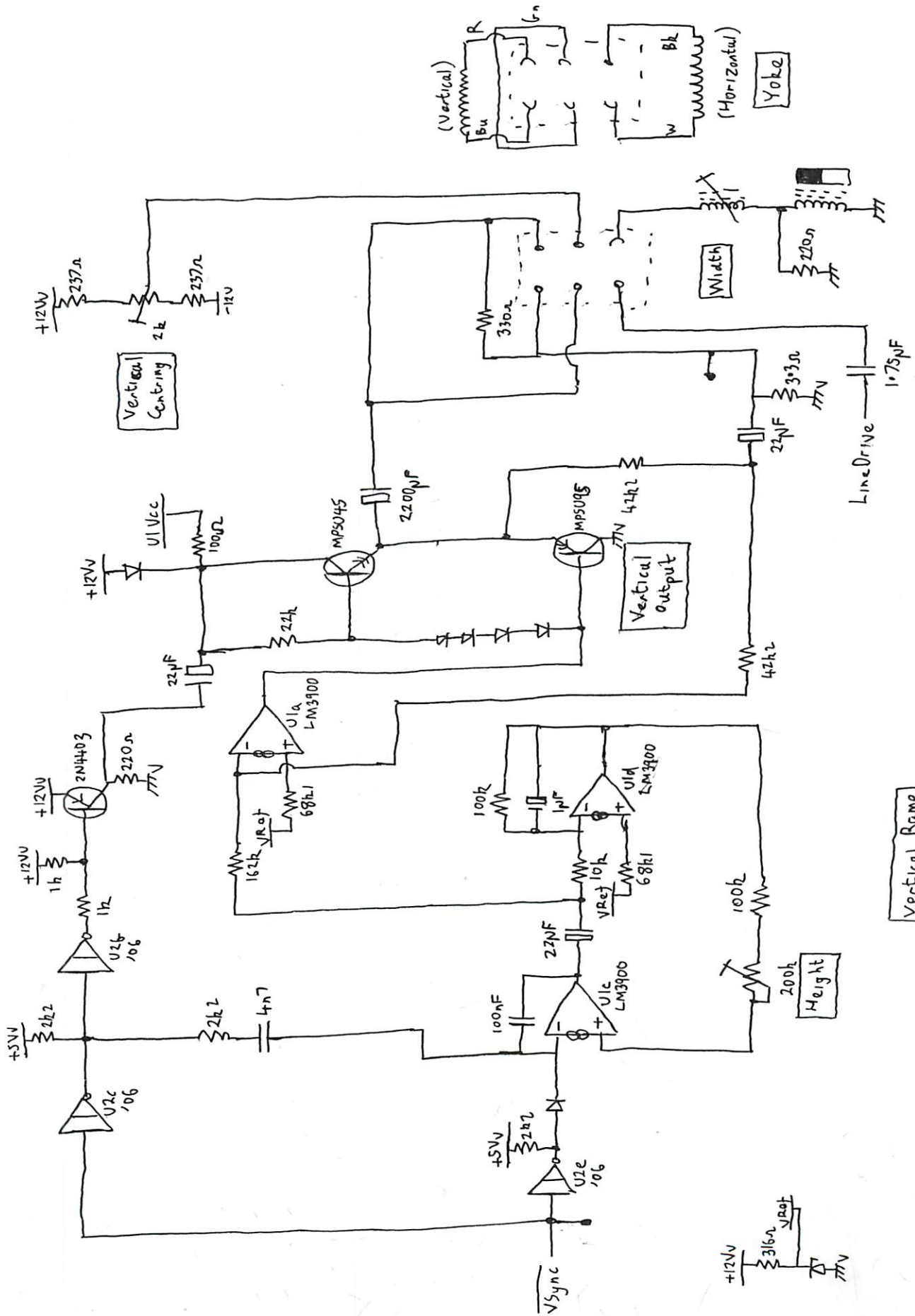
Horizontal Centering

Horizontal Drive

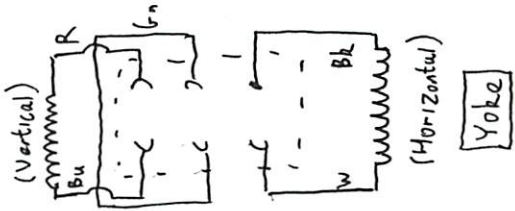
Horizontal Output

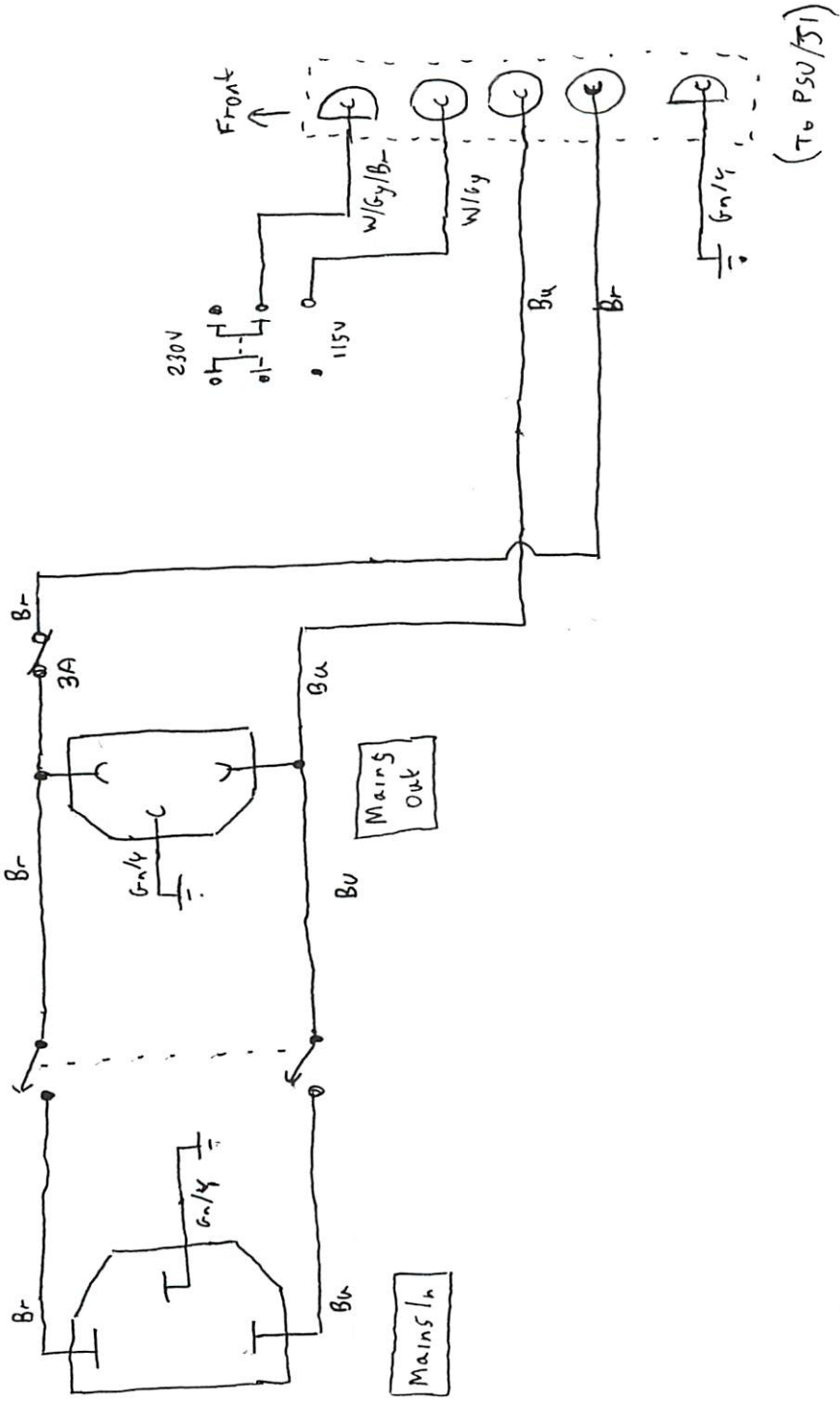






Vertical Ramp





HP150 Mains Input Bracket

