

HP50960

* This machine uses HP9817 Box, PSU, Backplane (Diagrams Included), but no speaker fitted (J3 on Backplane is not used)

* standard configuration includes:

HP98204A Video (Text board only)

09920-66537 HP-HIL/HP1B

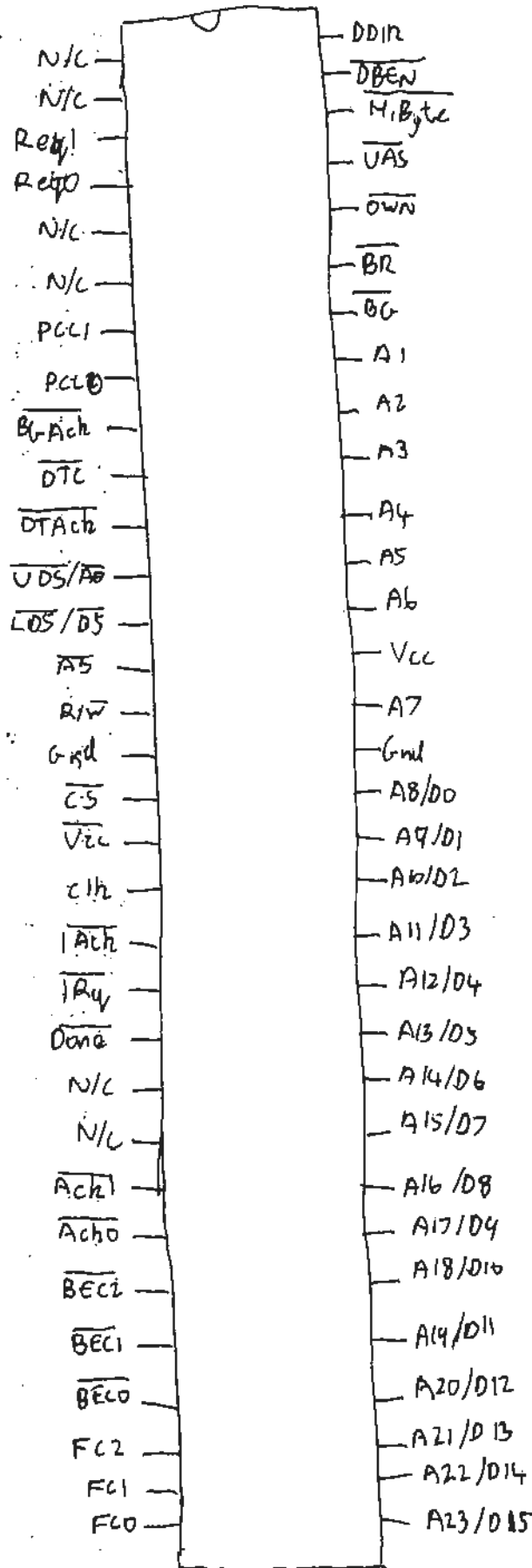
HP50962 SRM

See D10 schematics

* Boot sequence is similar to HP9000/200
BOOTROM4.0

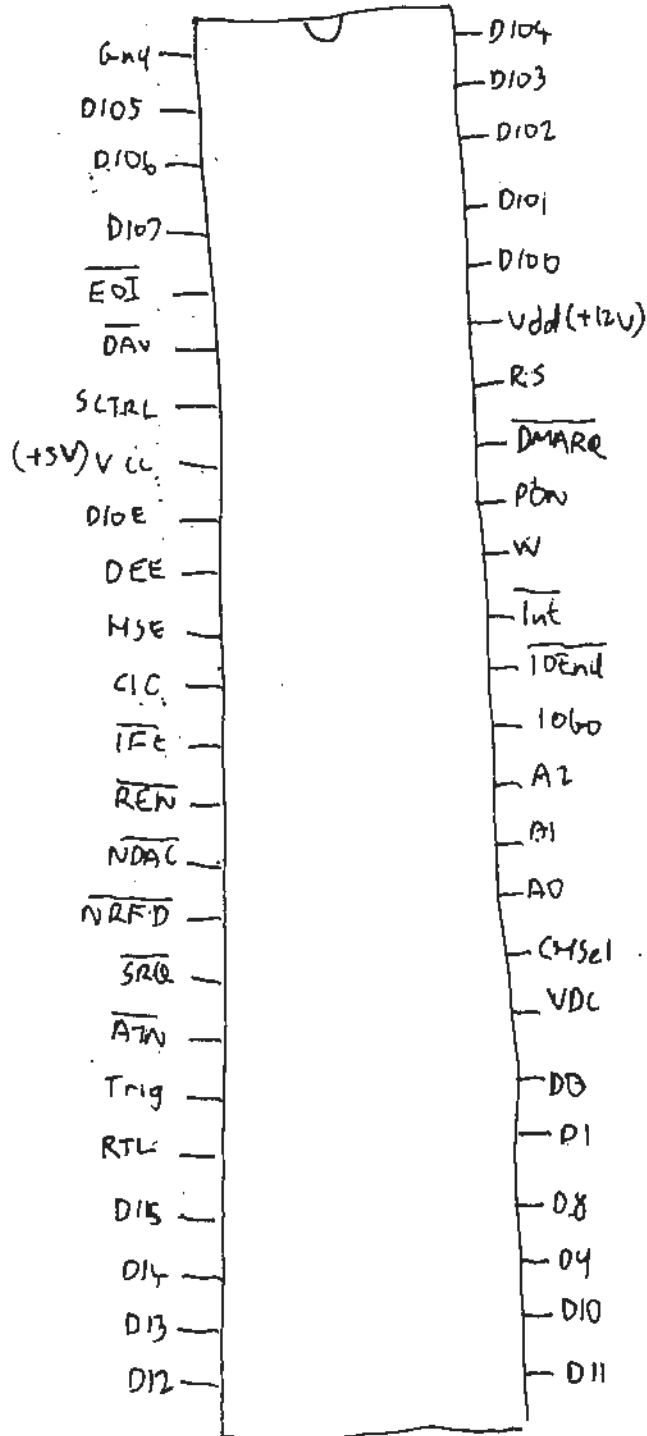
HP50960

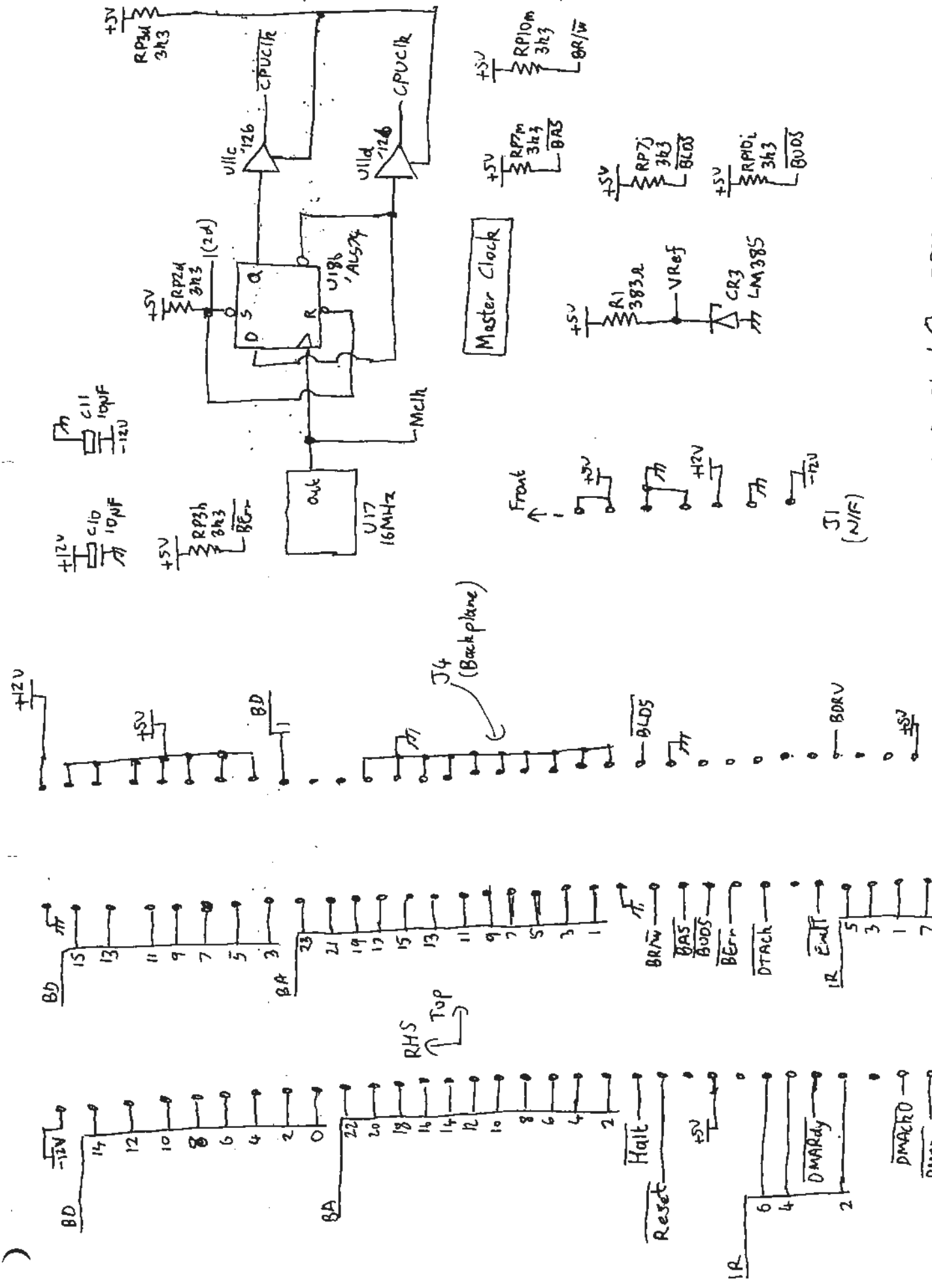
M68440 Dual-Channel DMA Controller

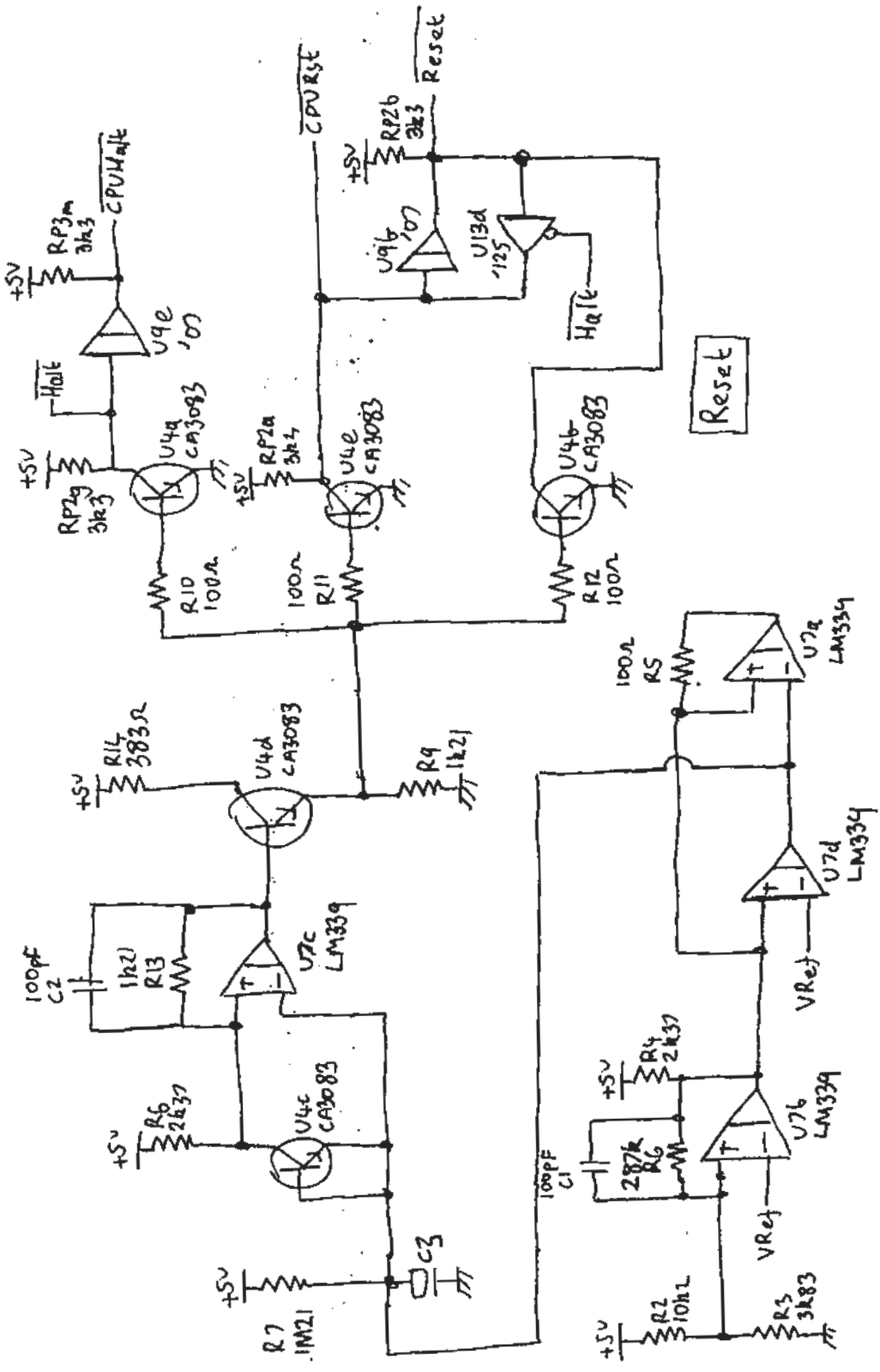


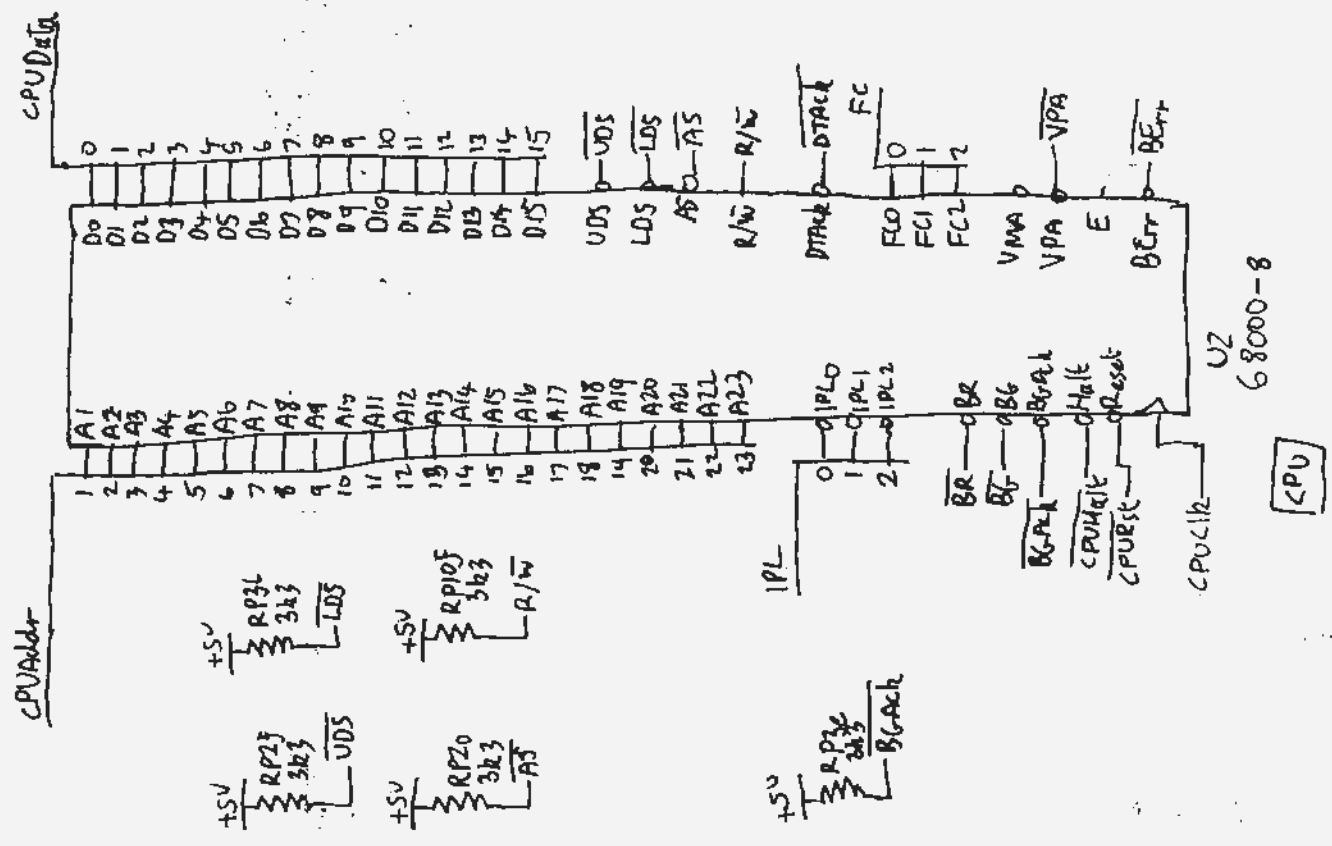
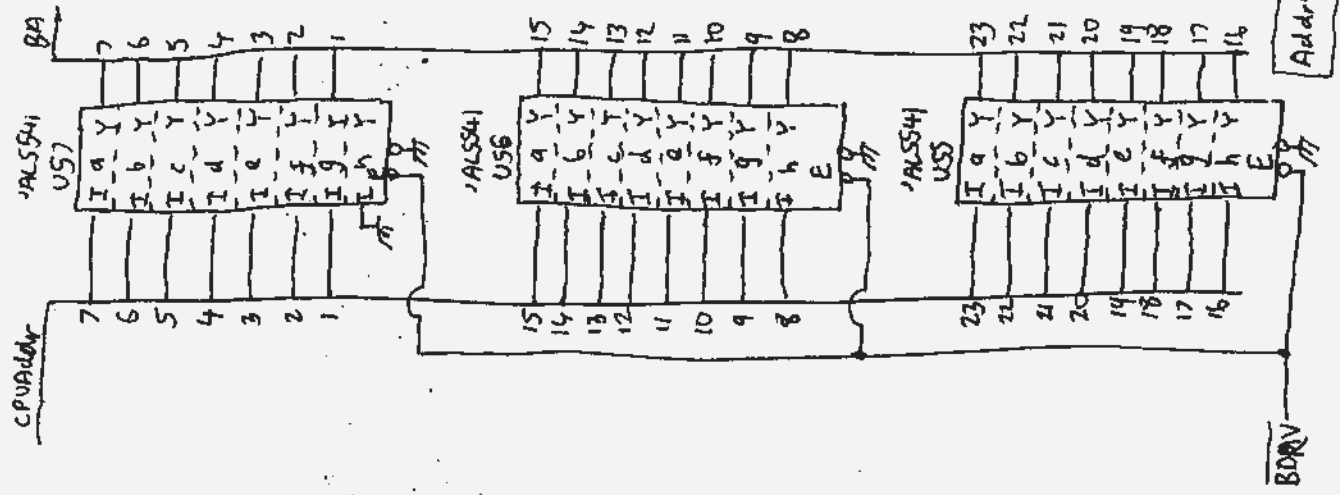
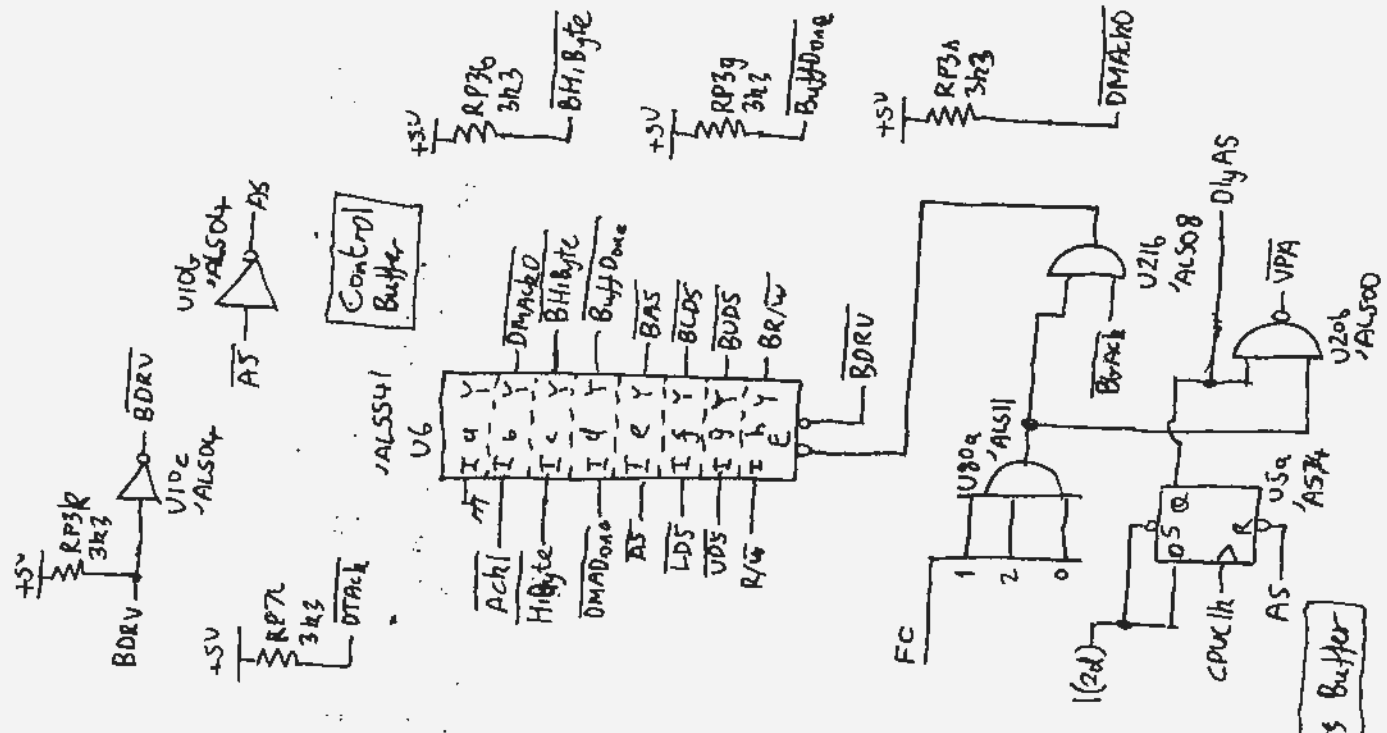
HP50960

ITL1-0004 Medusa HP1B Interface



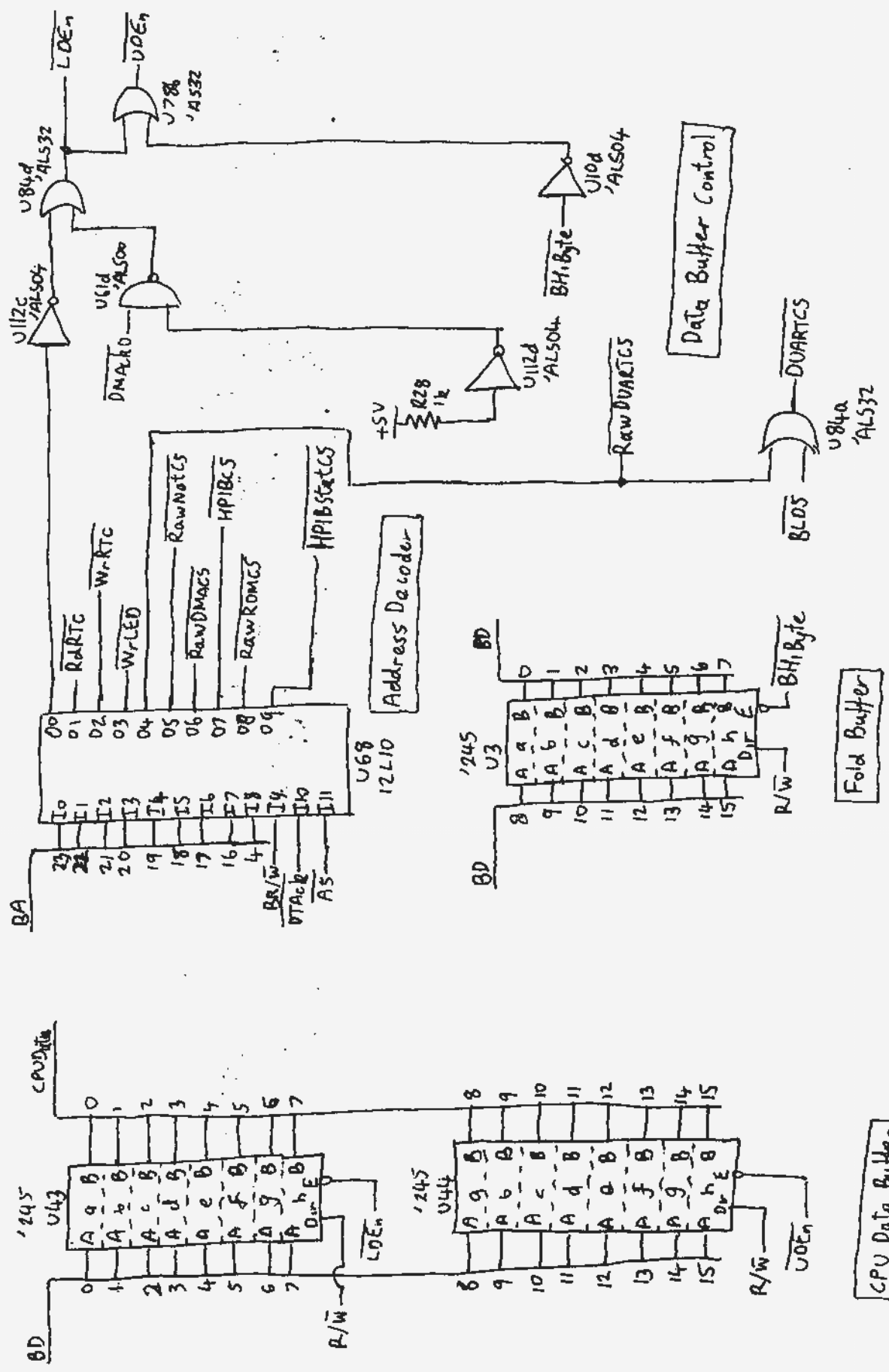




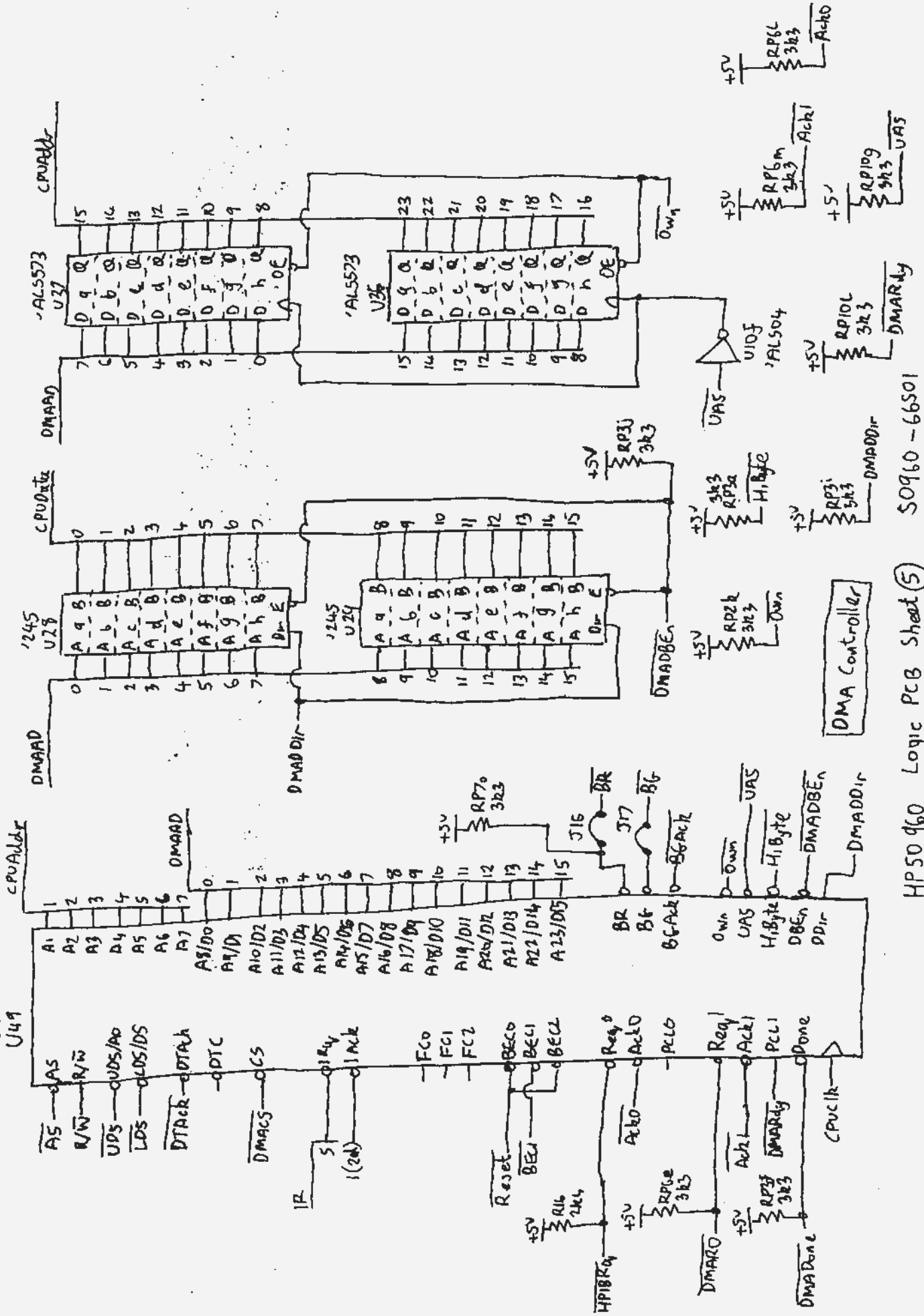


68000-8

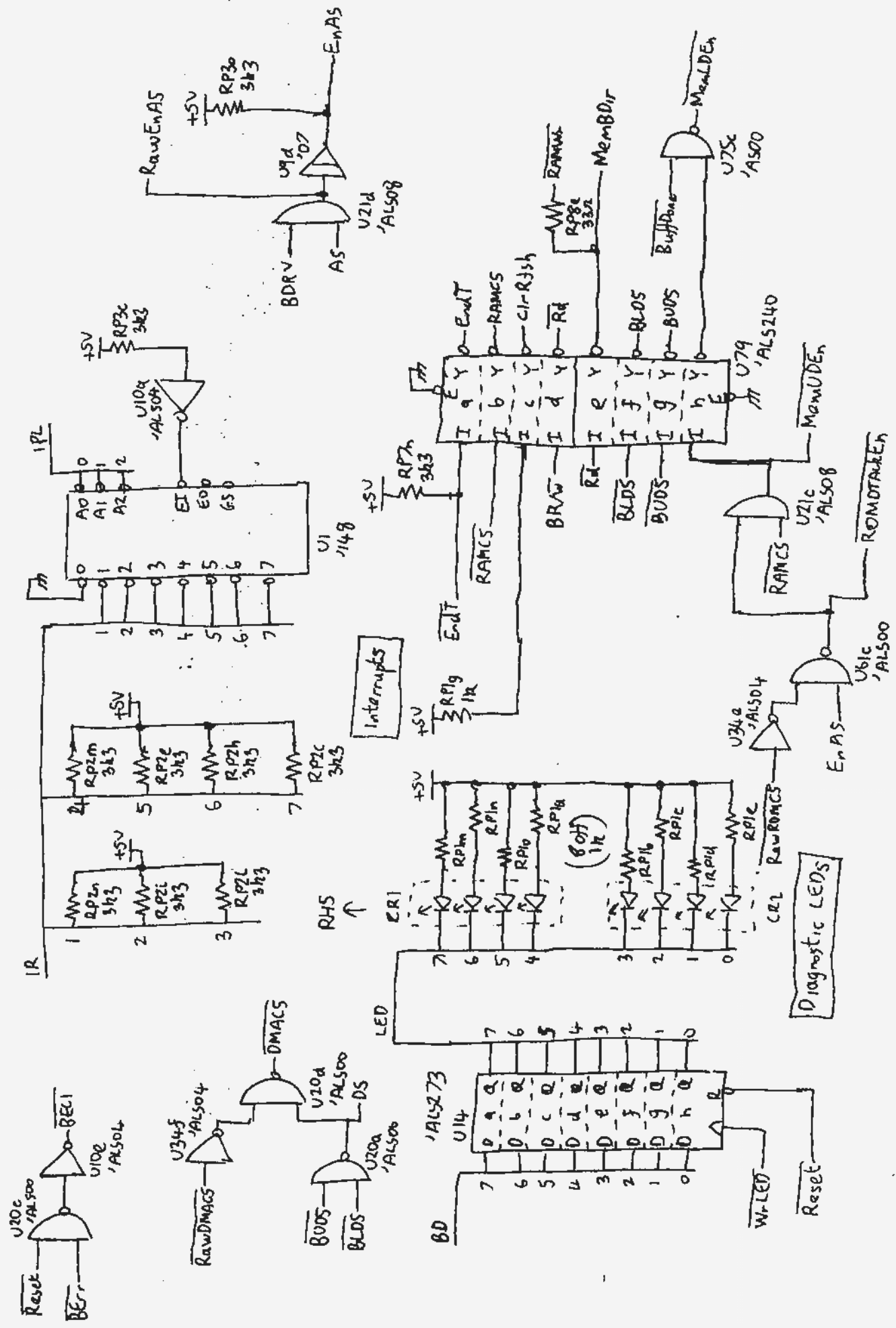
CPU



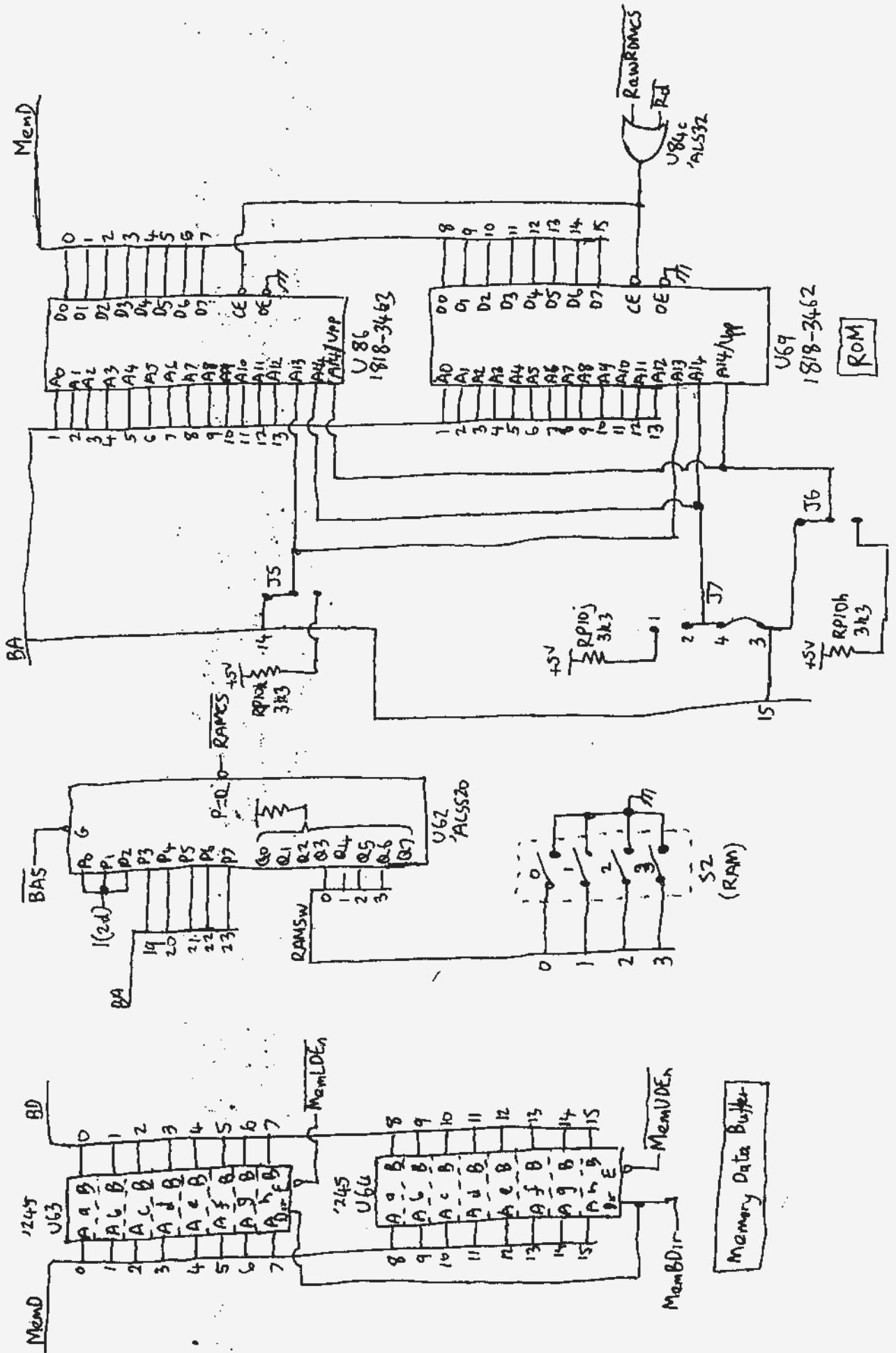
68440-8
U49



DMA Controller

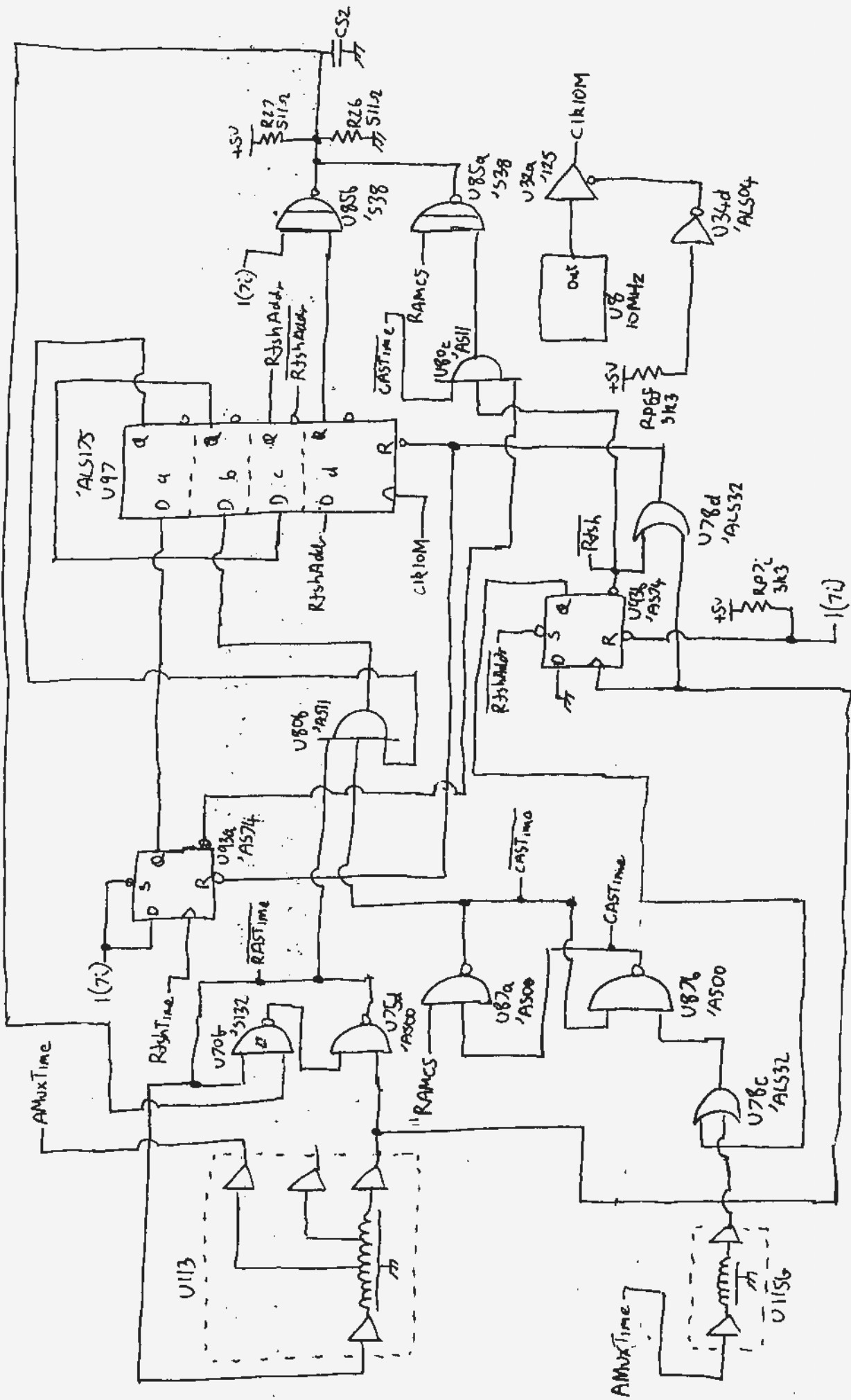


HP50960 Logic PLG Sheet (6) 50960-66501

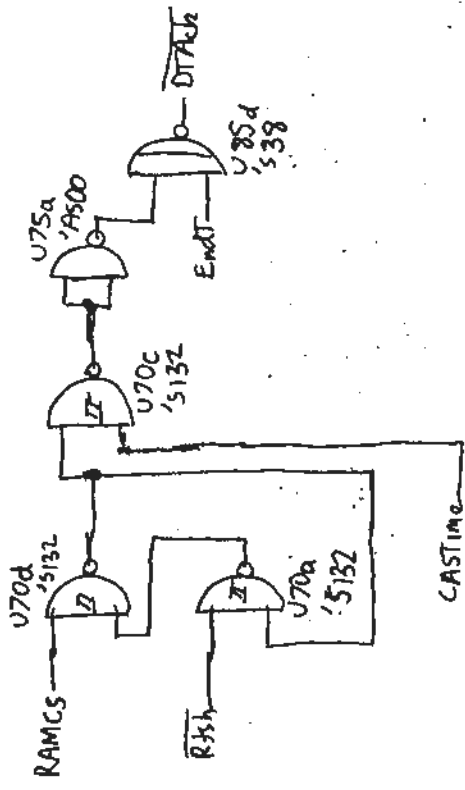


50960-66501

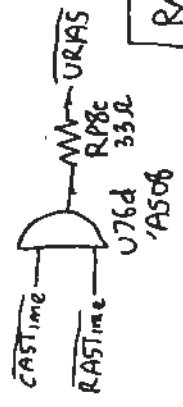
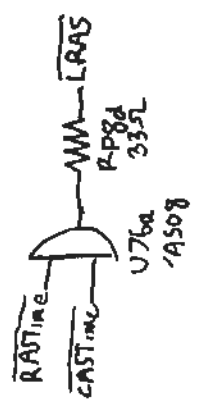
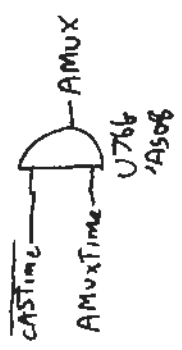
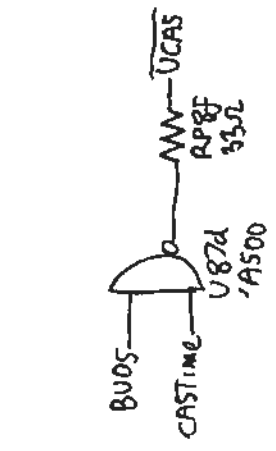
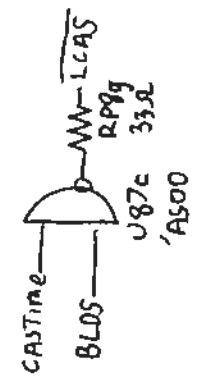
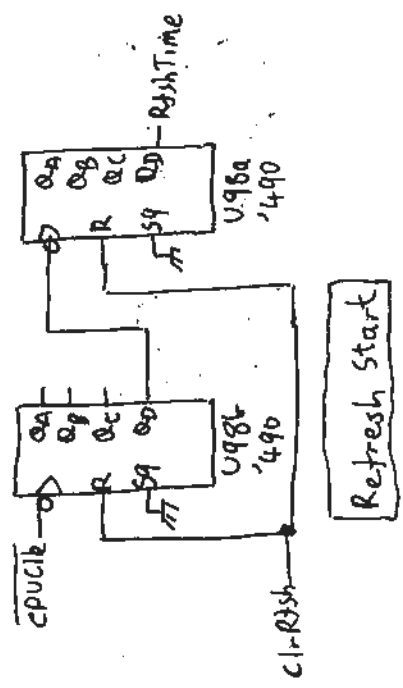
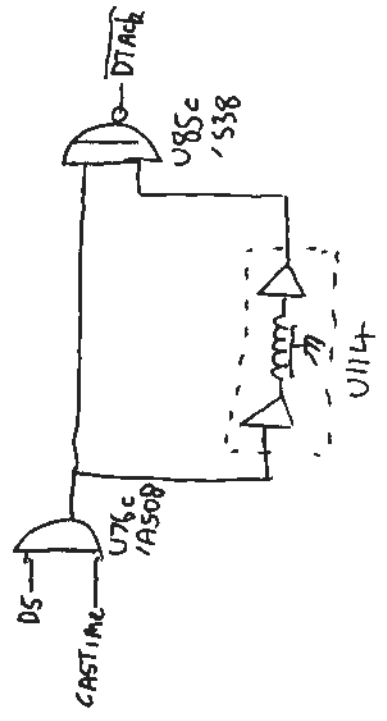
HP50960 Logic PCB Sheet 7



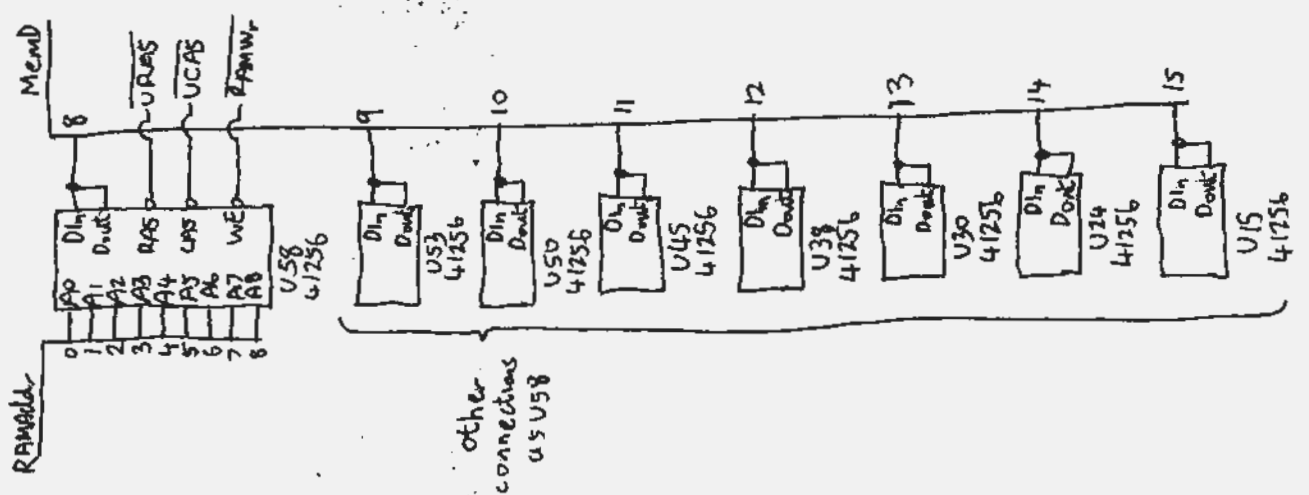
RAM Timing



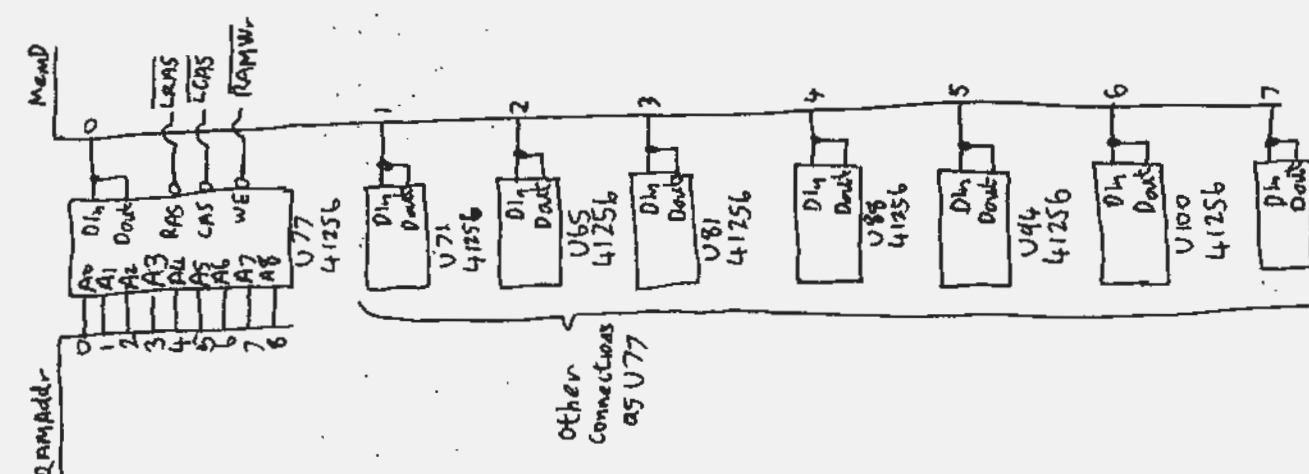
DTACK



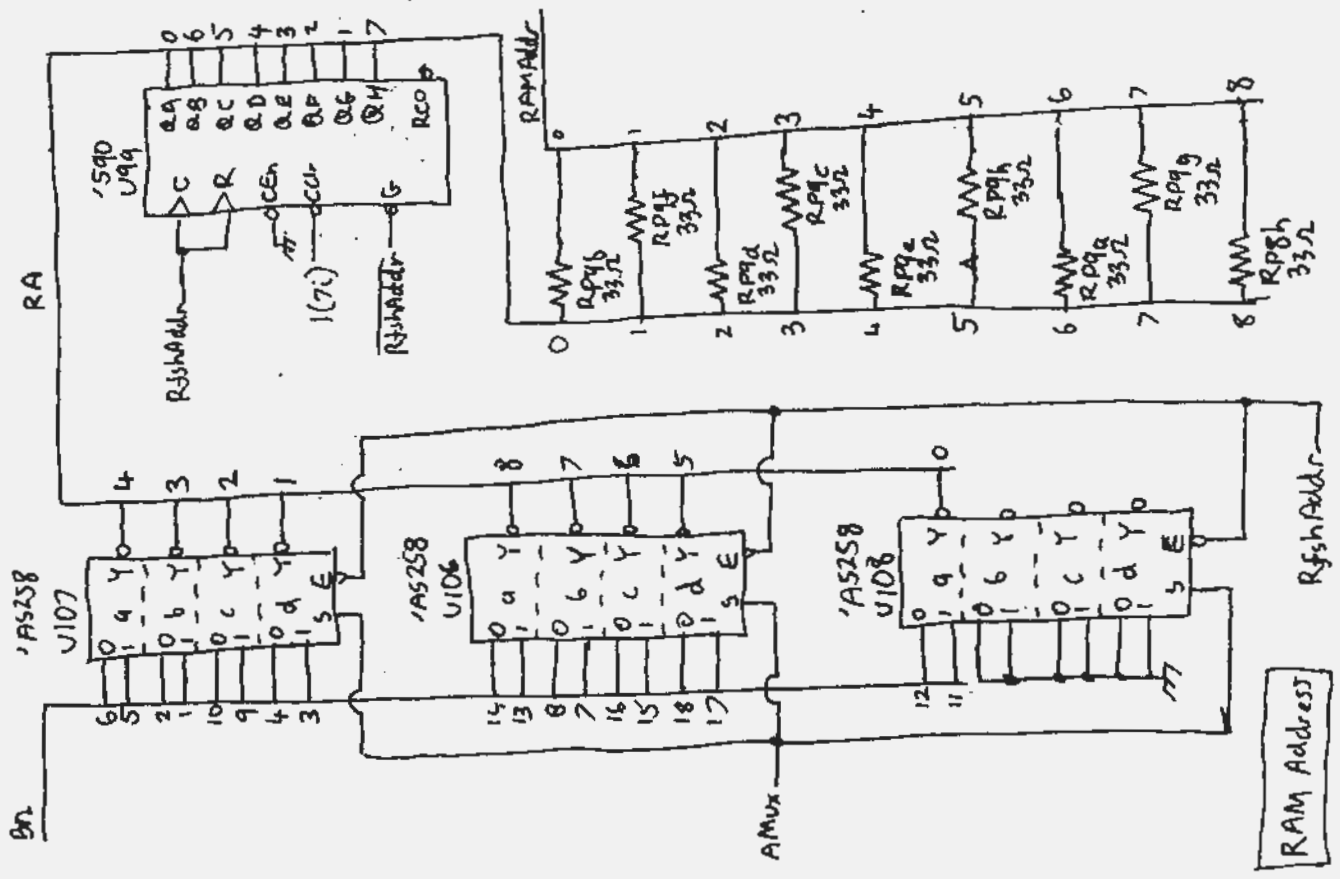
RAM Control



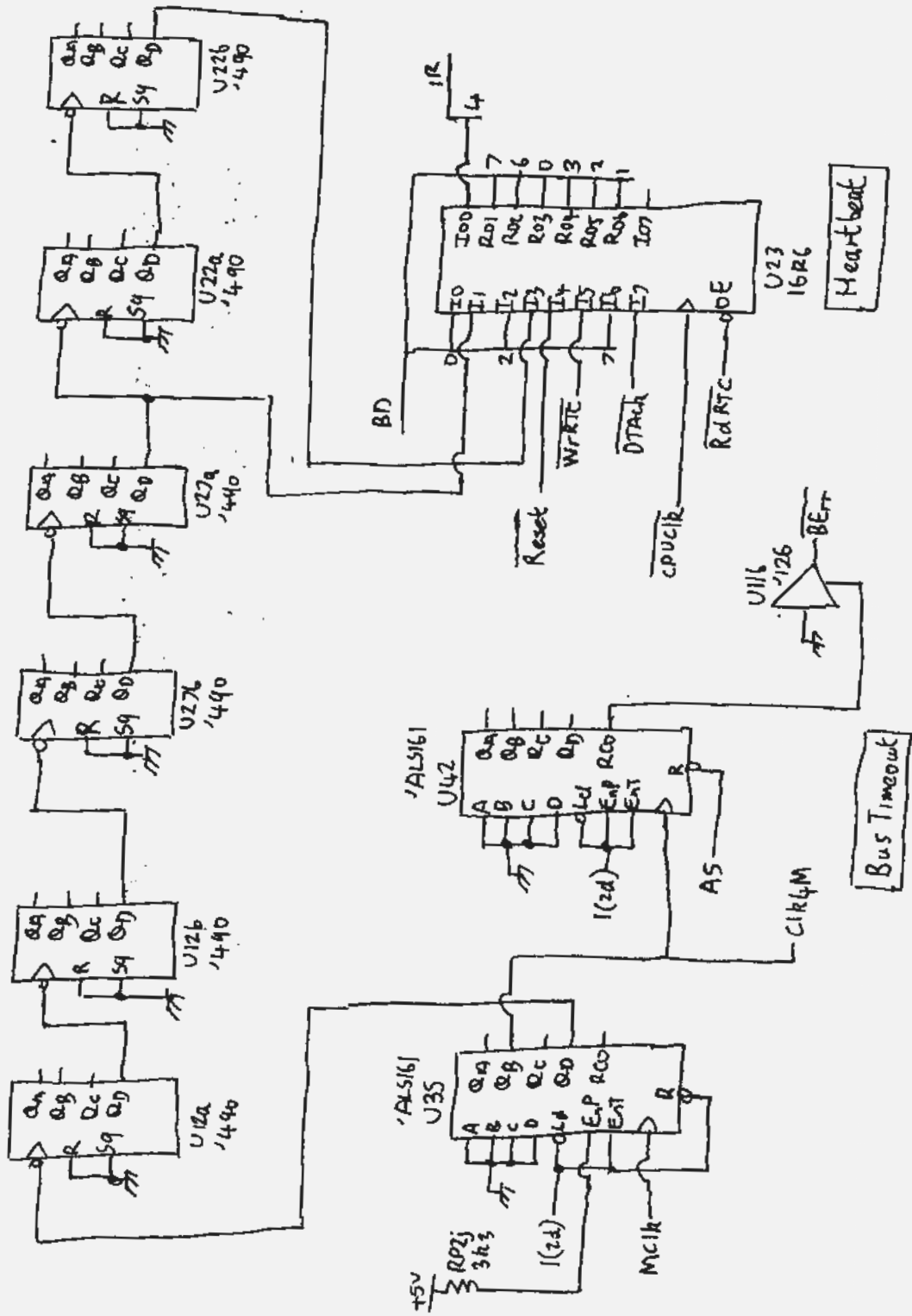
RAM

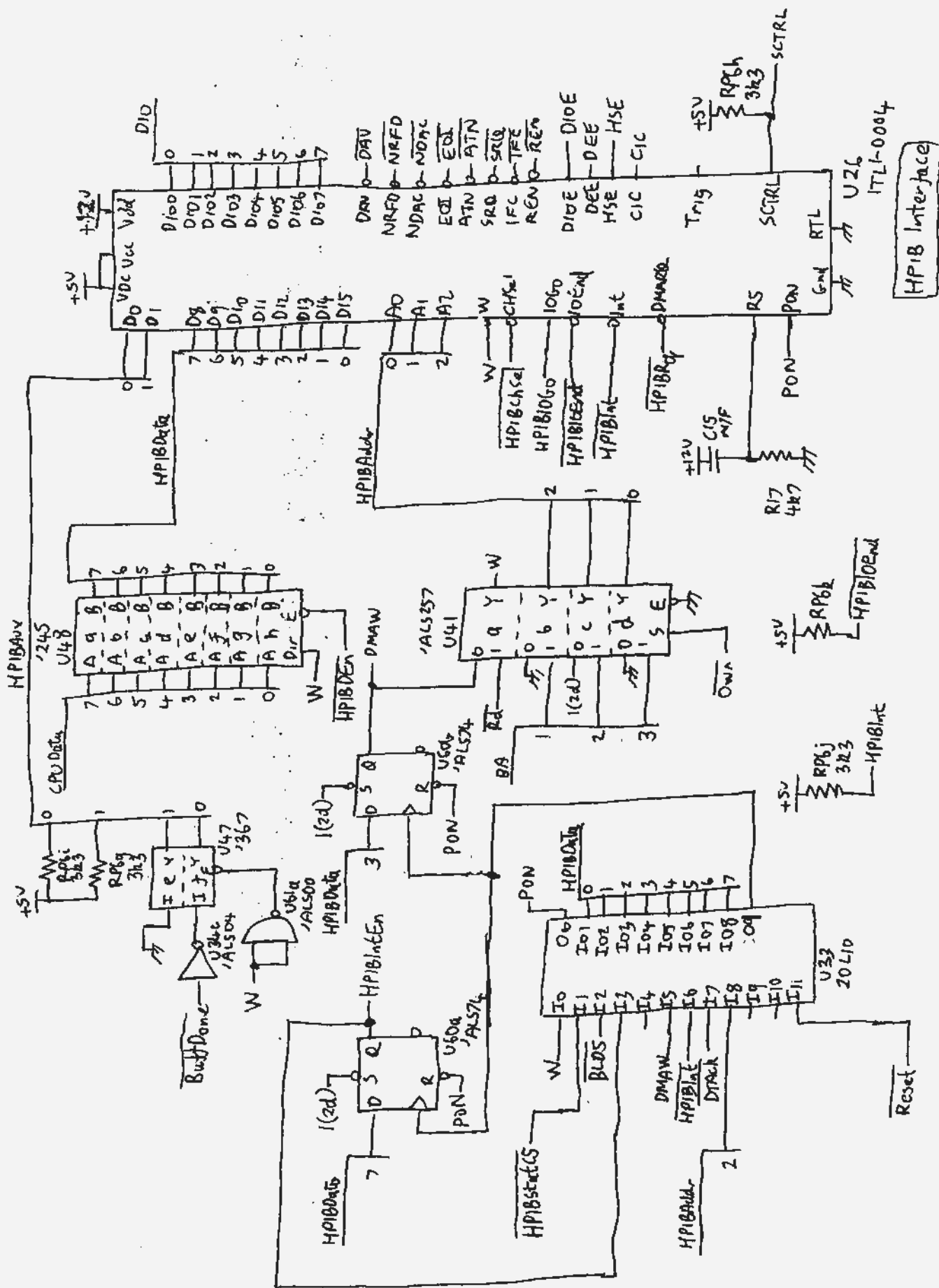


RAM

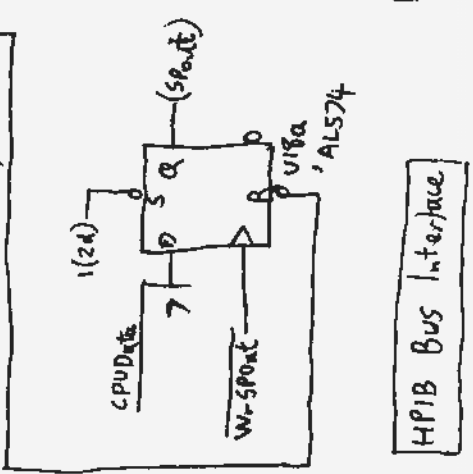
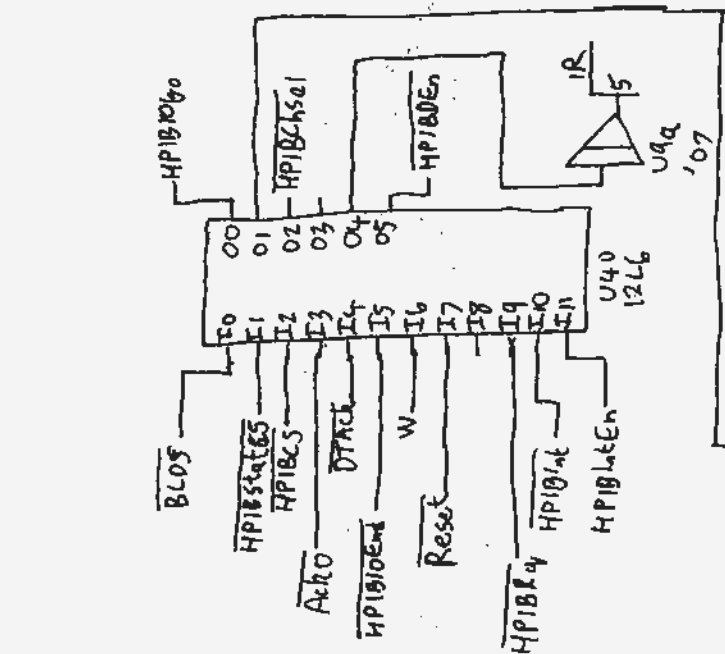
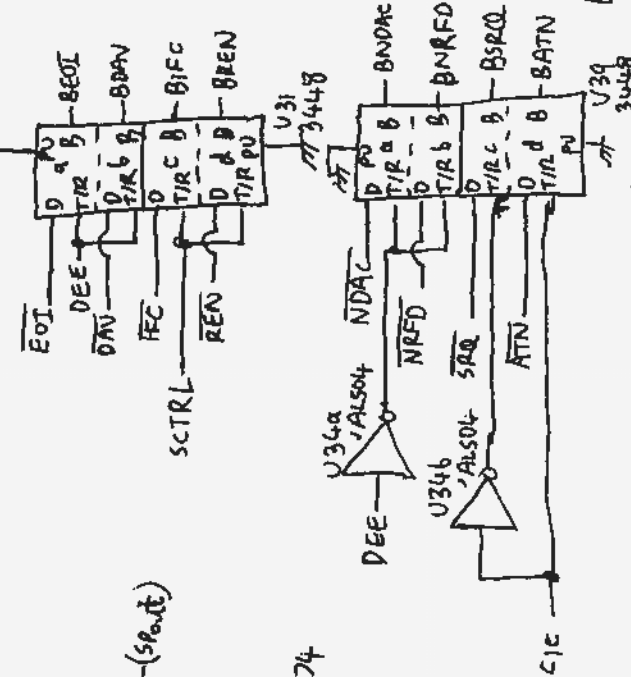
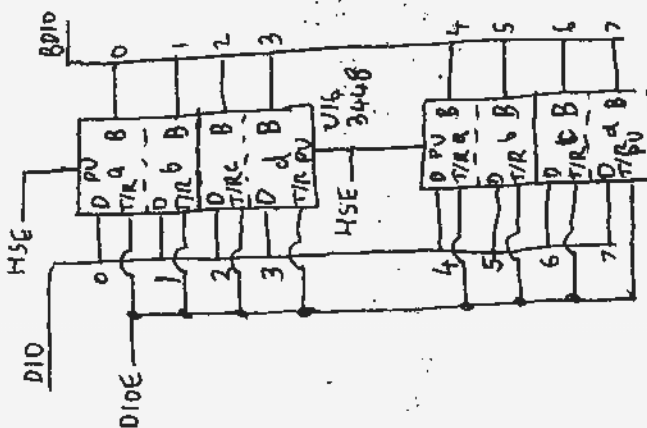
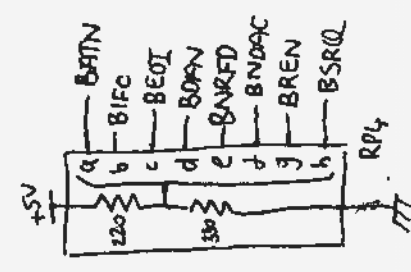
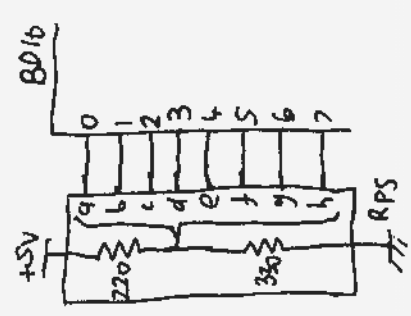
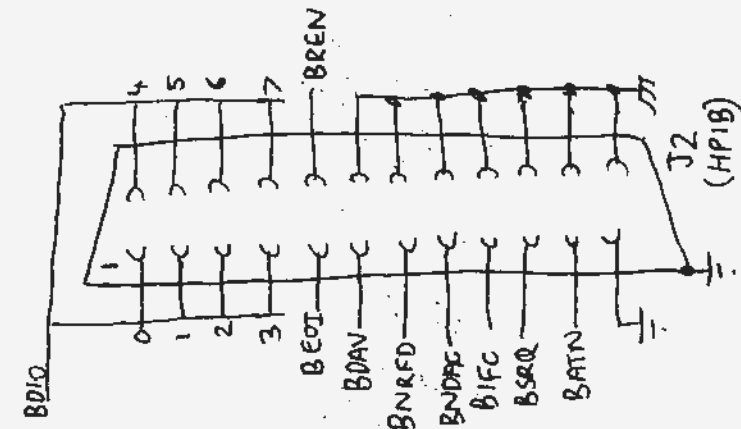


RAM Address



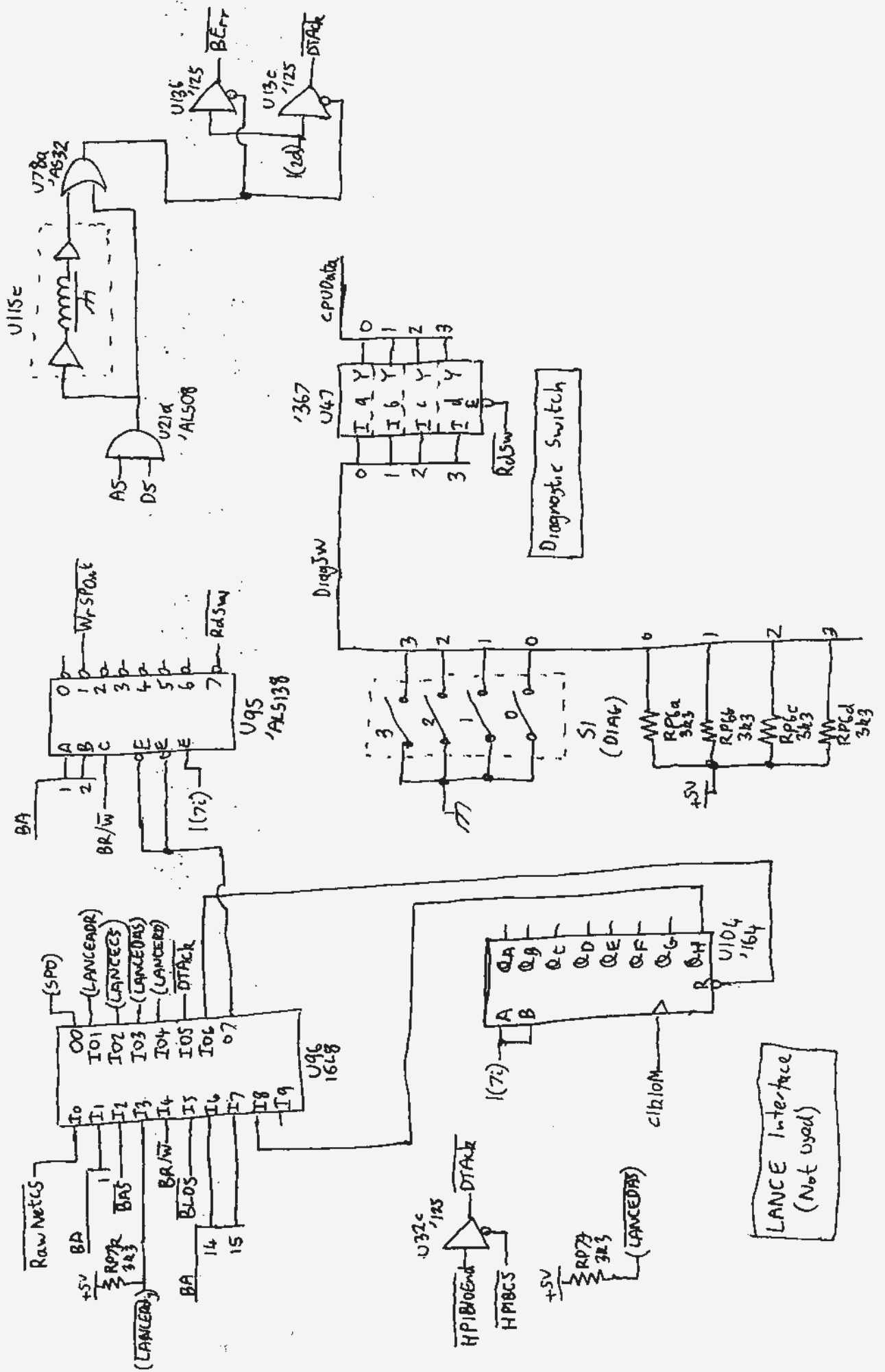


HPiB Interface

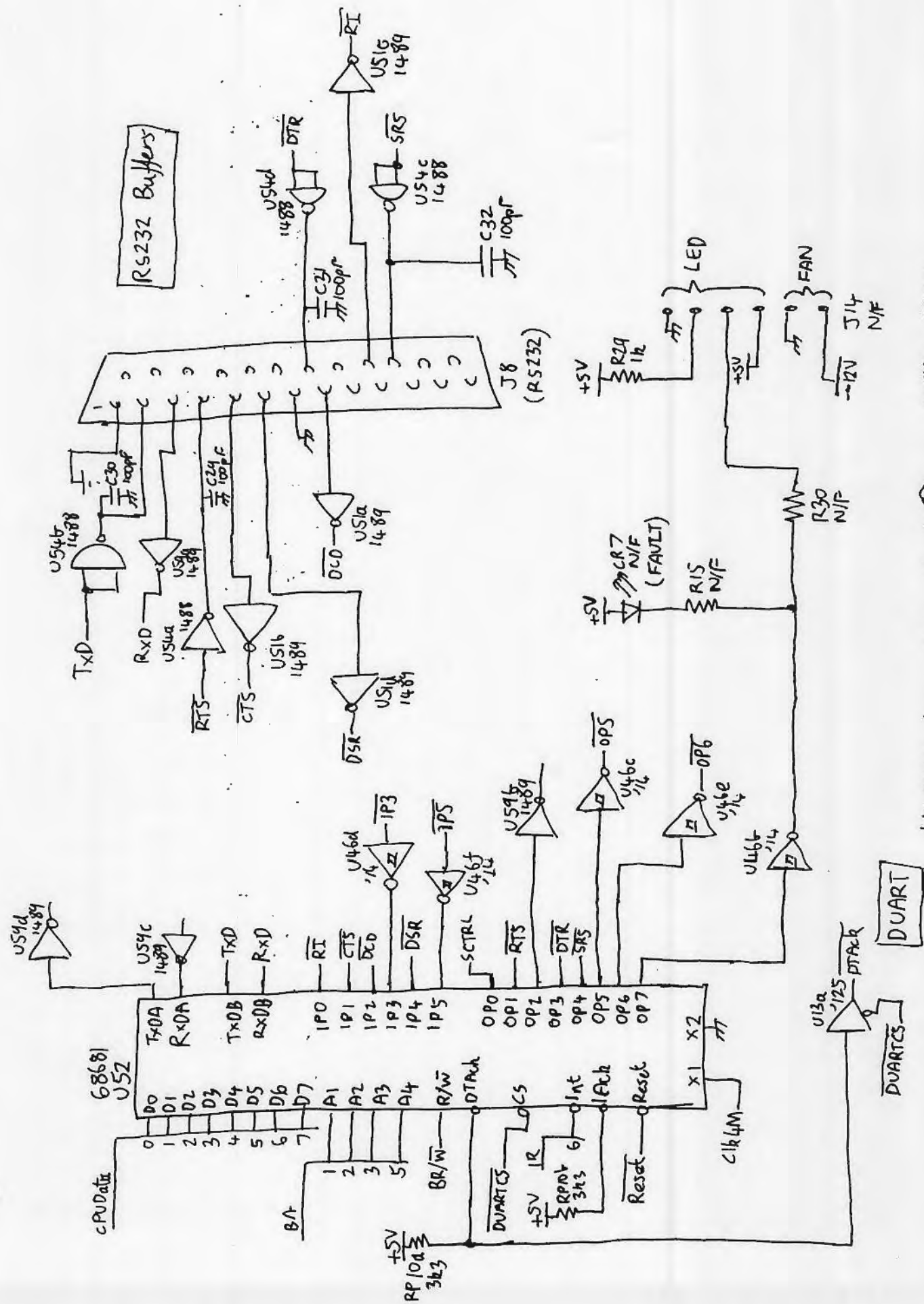


HPiB Buffers

HPiB Bus Interface

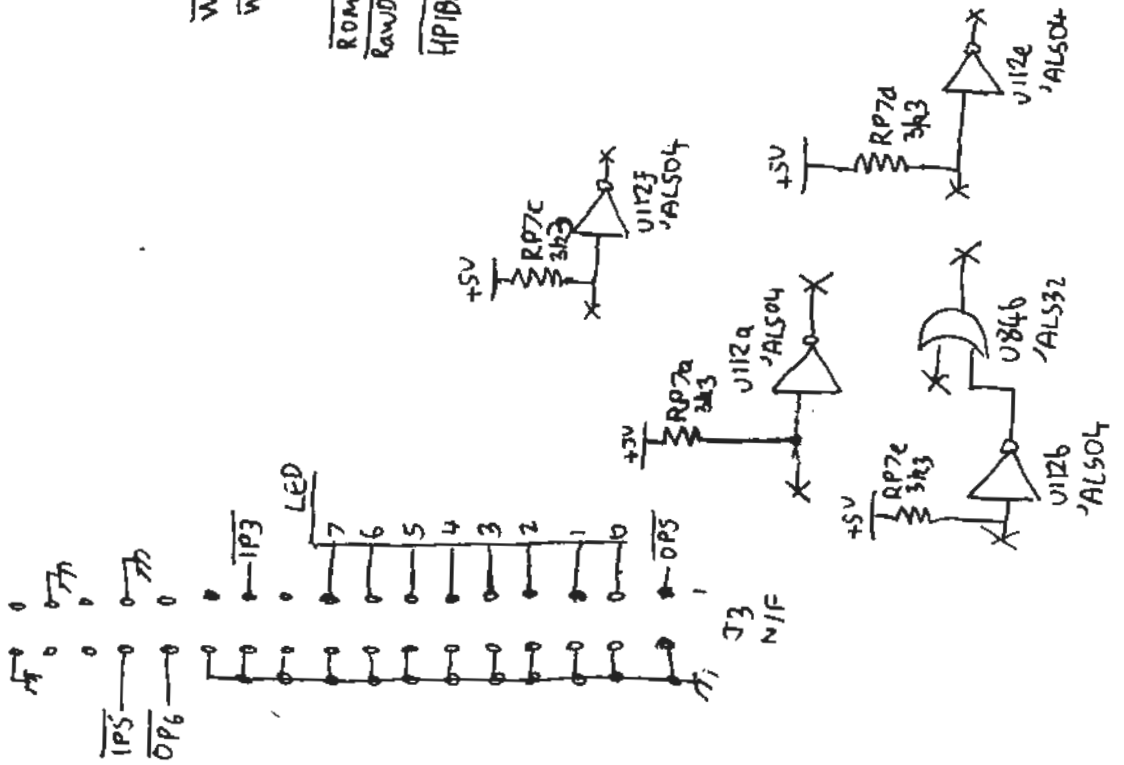
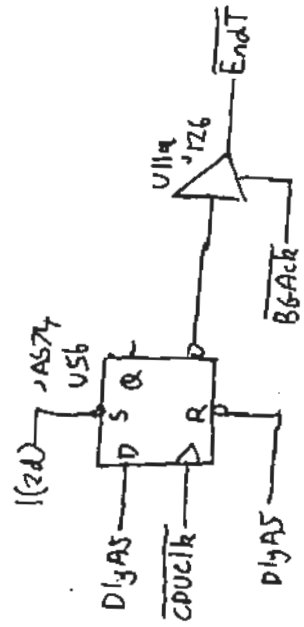
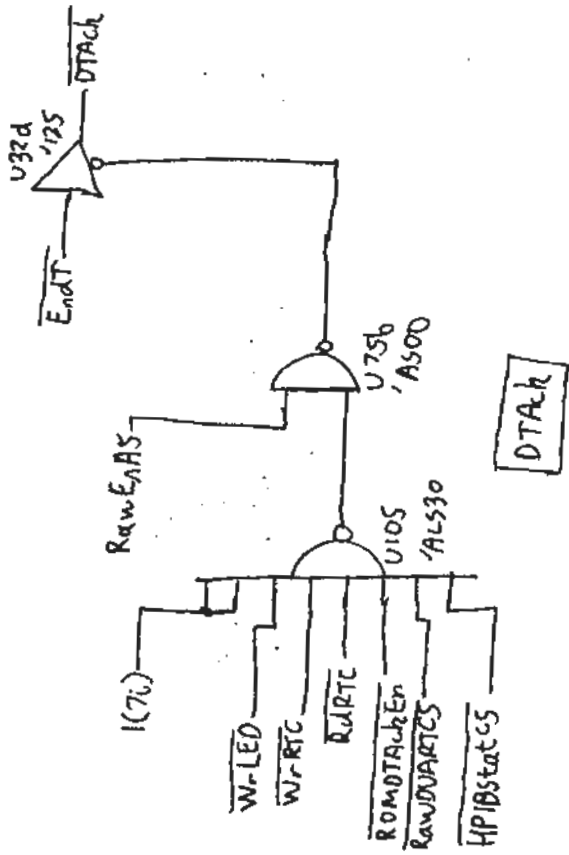


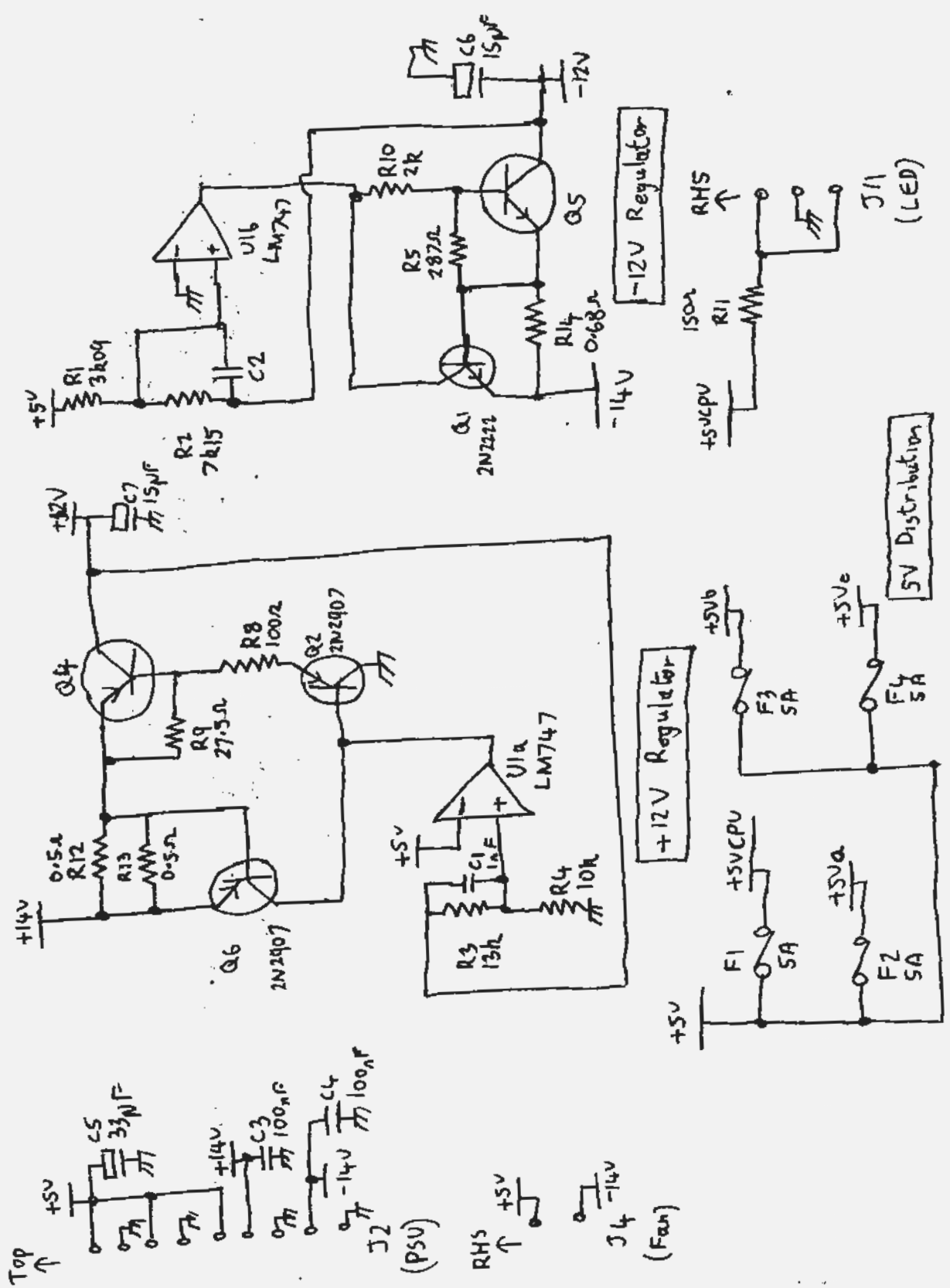
LANCE Interface
(Not used)



50960-66501

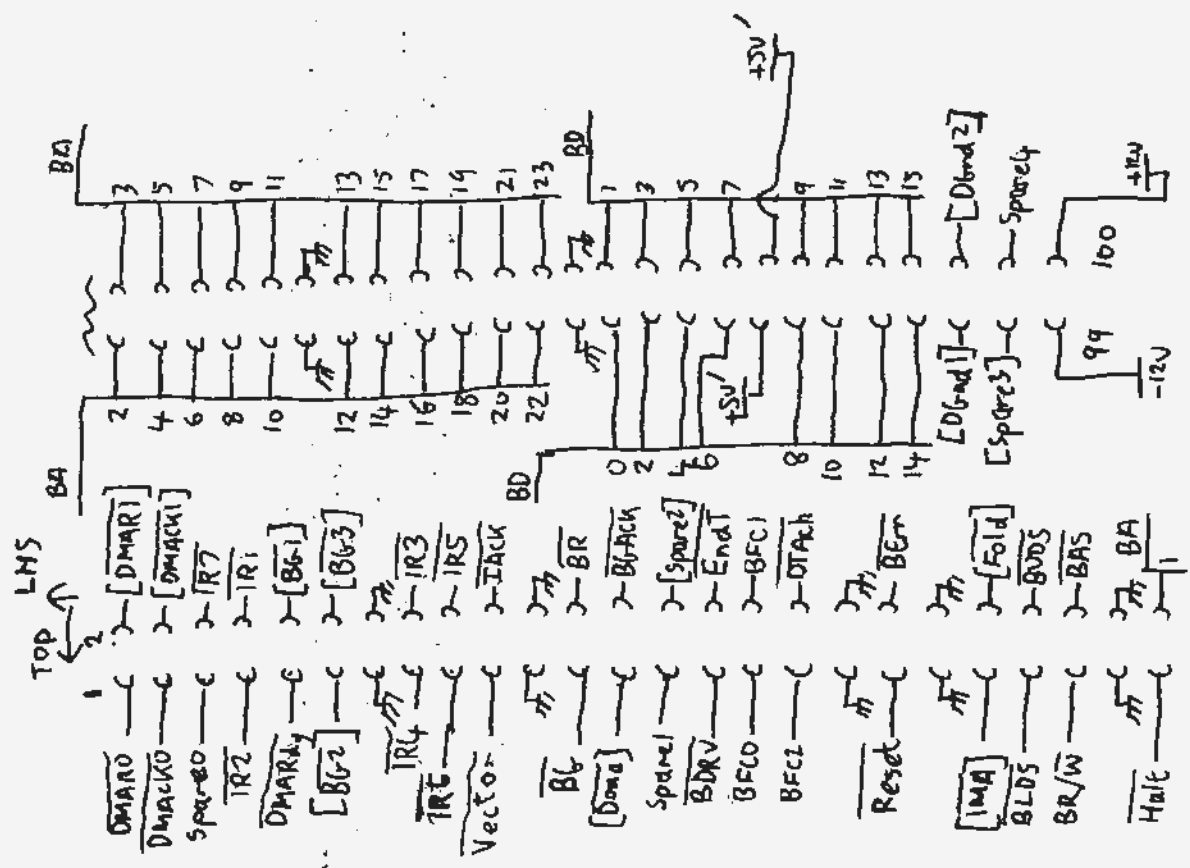
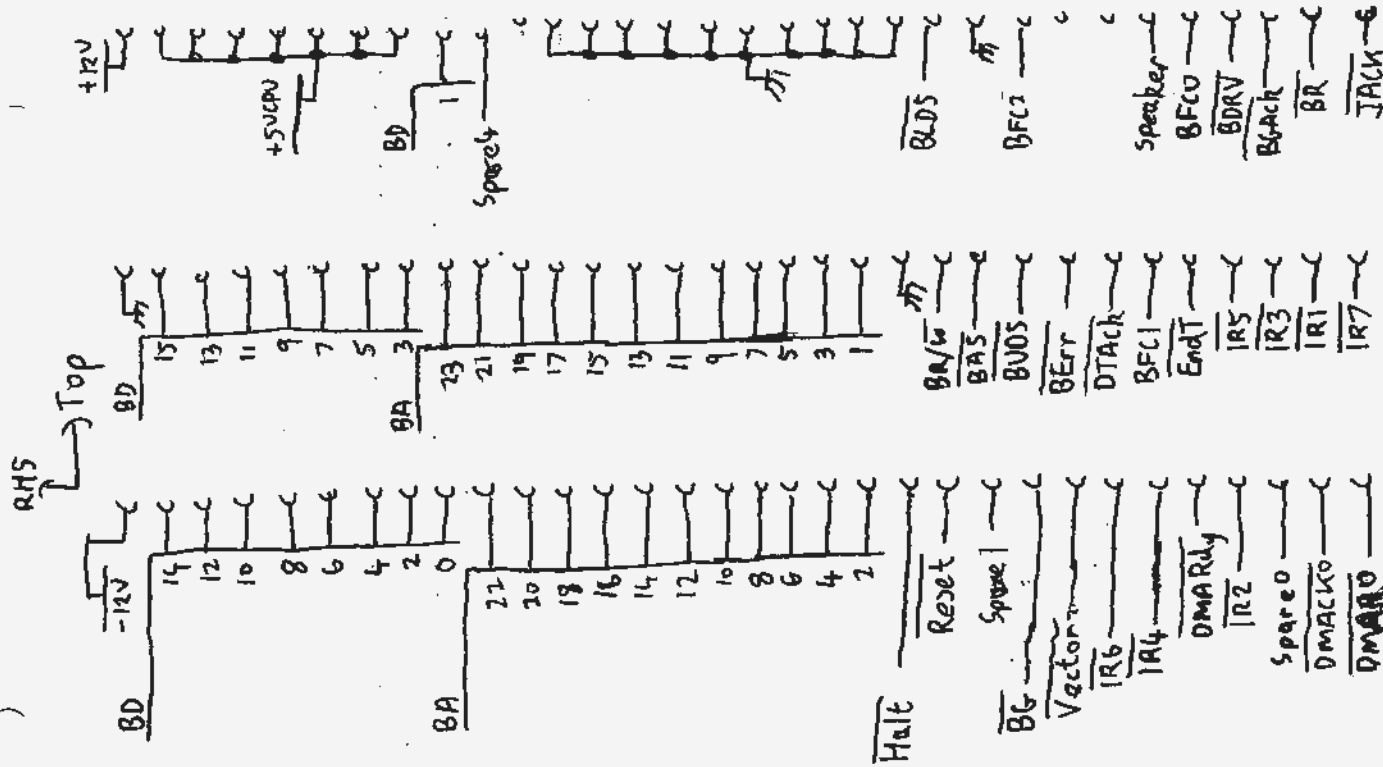
HP50960 Logic PCB Sheet 15





09817-66563

HP9817 Backplane Sheet ①



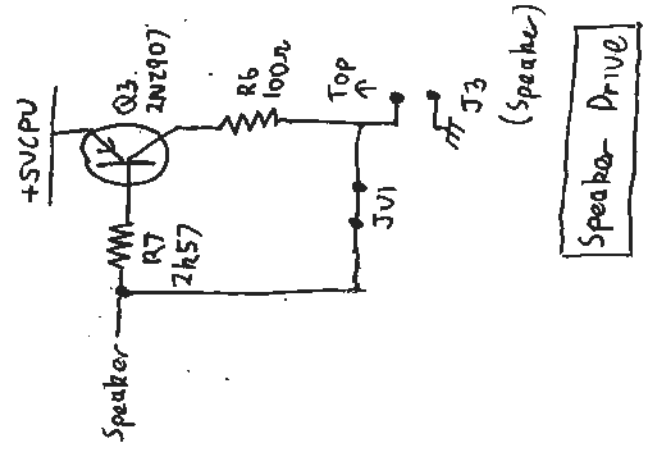
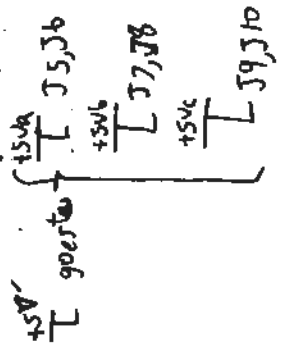
J5:10 J10
 (DIO slot (Typical of 6))
 09817-66563

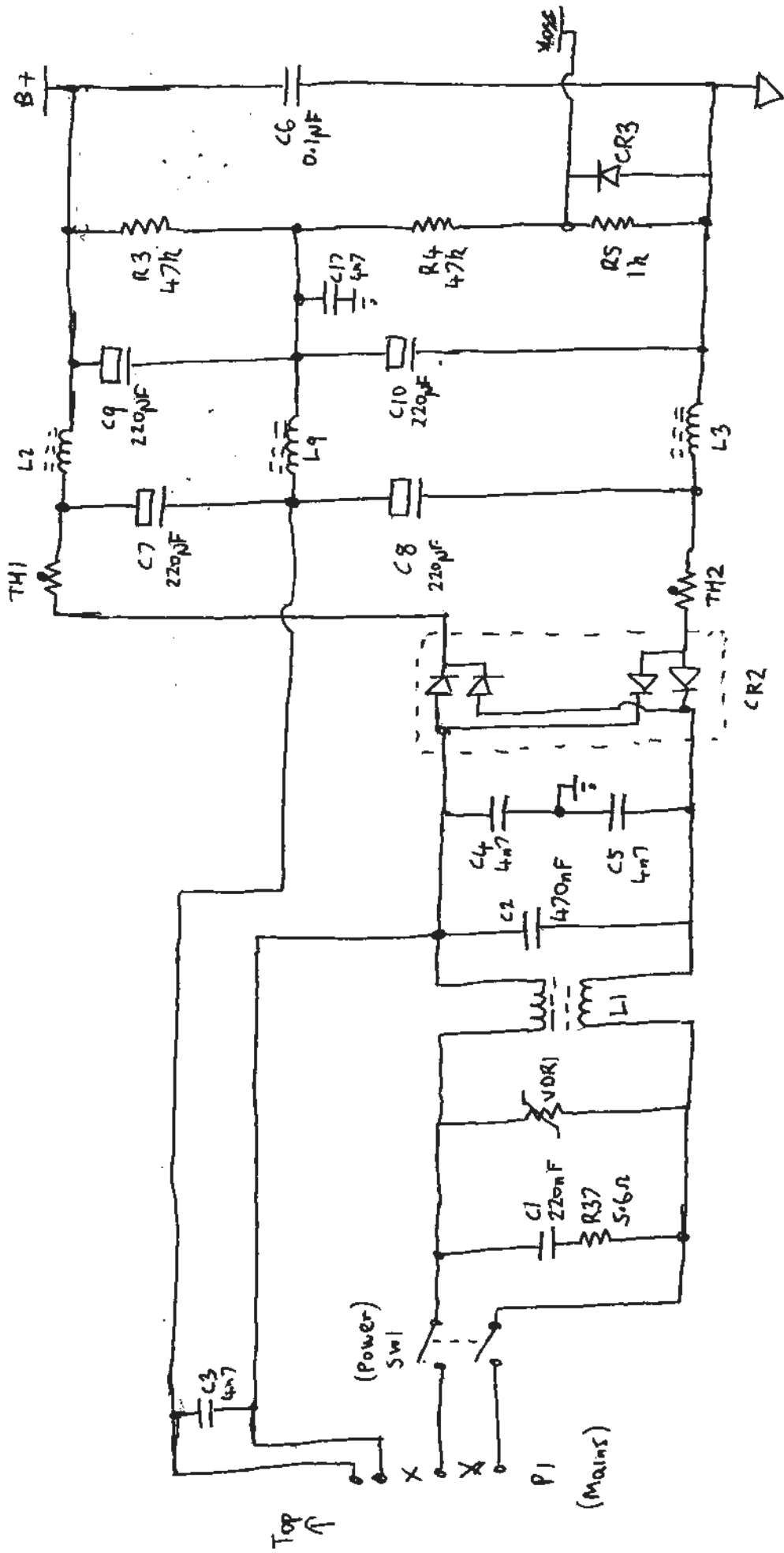
HP9817 Backplane sheet 2

J1 (Logic P.C.B)

Note7

D10 signals in square brackets are based between slots, but do not go to Logic PCB

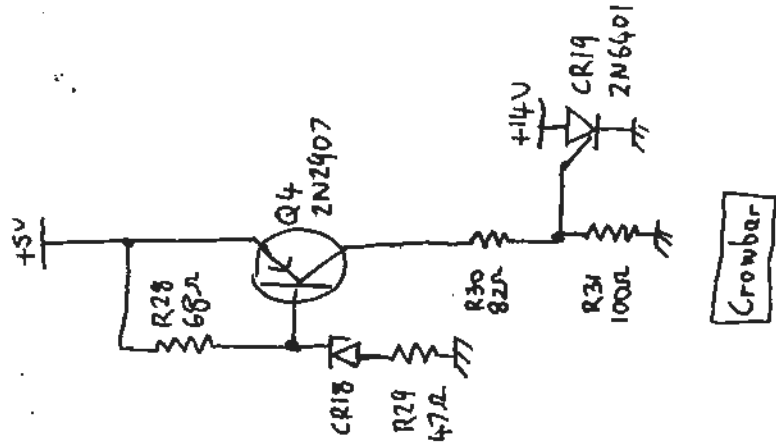
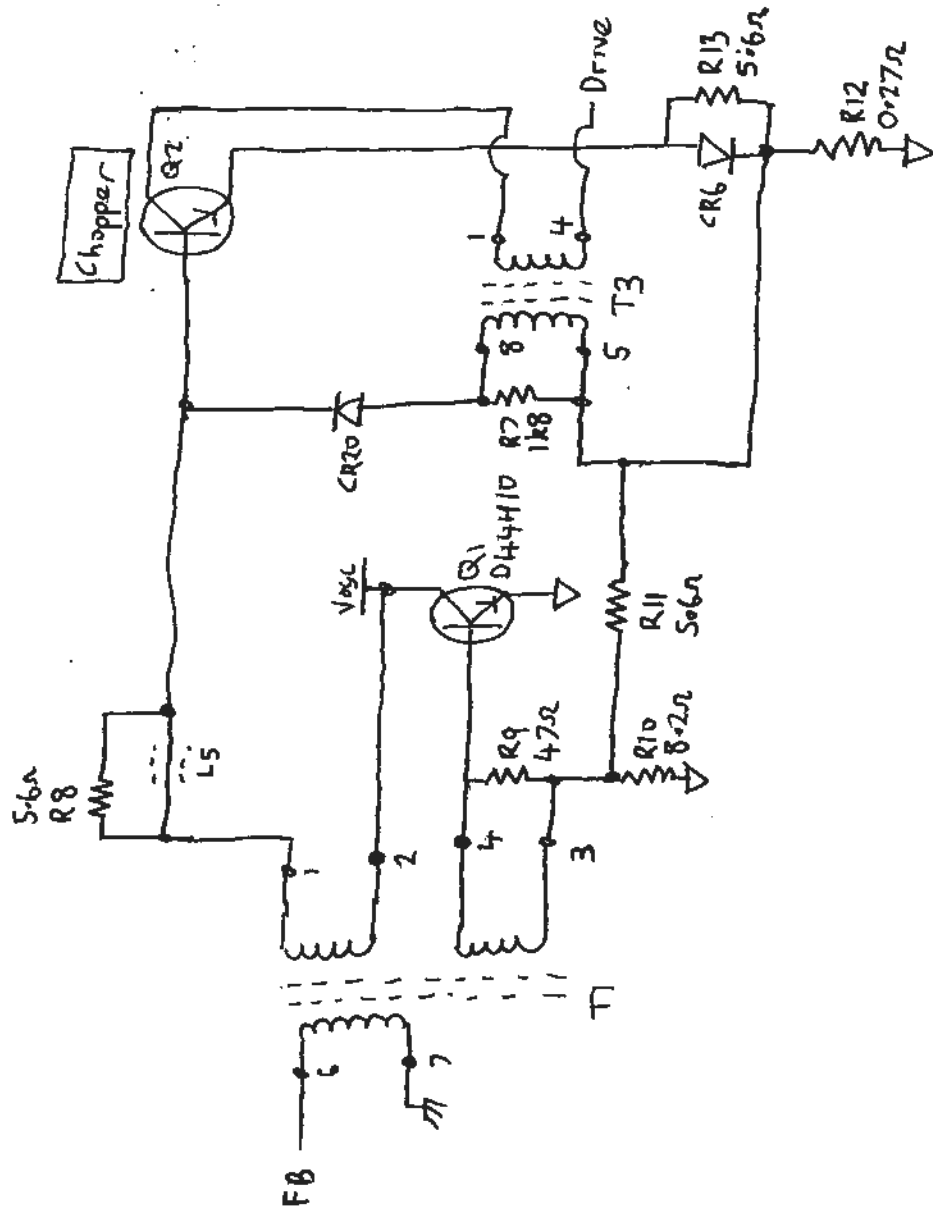




Mains Rectifier

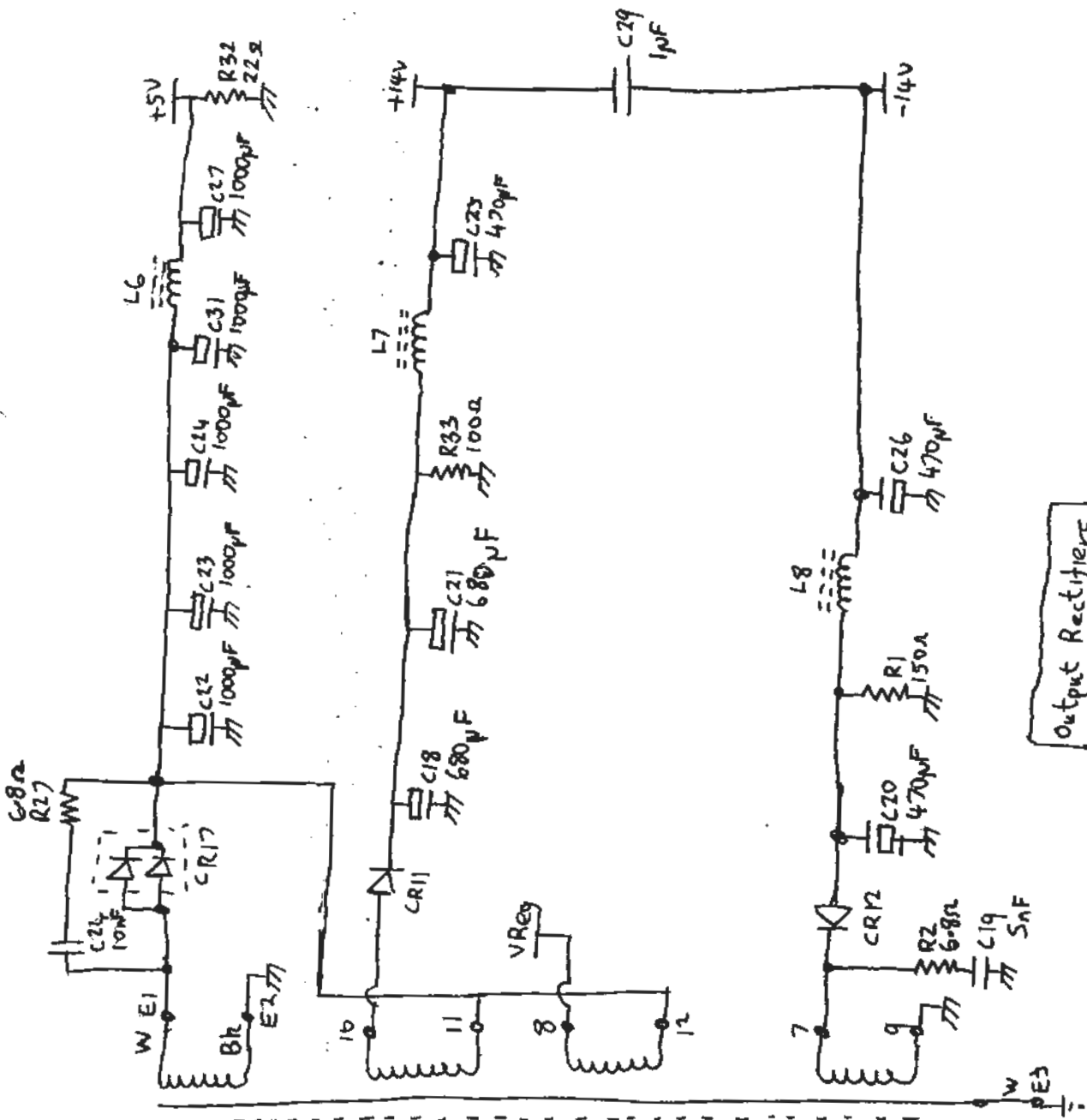
Power/Mate
09817-66552

HP9817 PSU PCB sheet ①



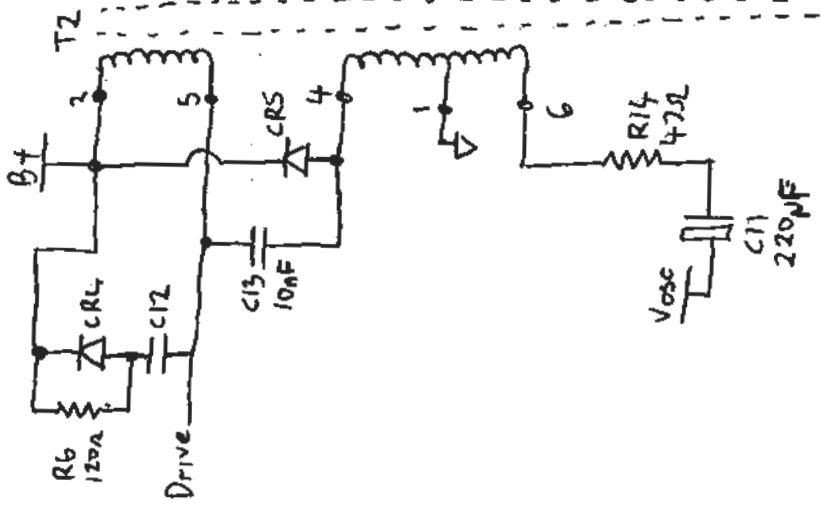
Power/McTe
09817-66552

HP9817 PSU PCB sheet (2)

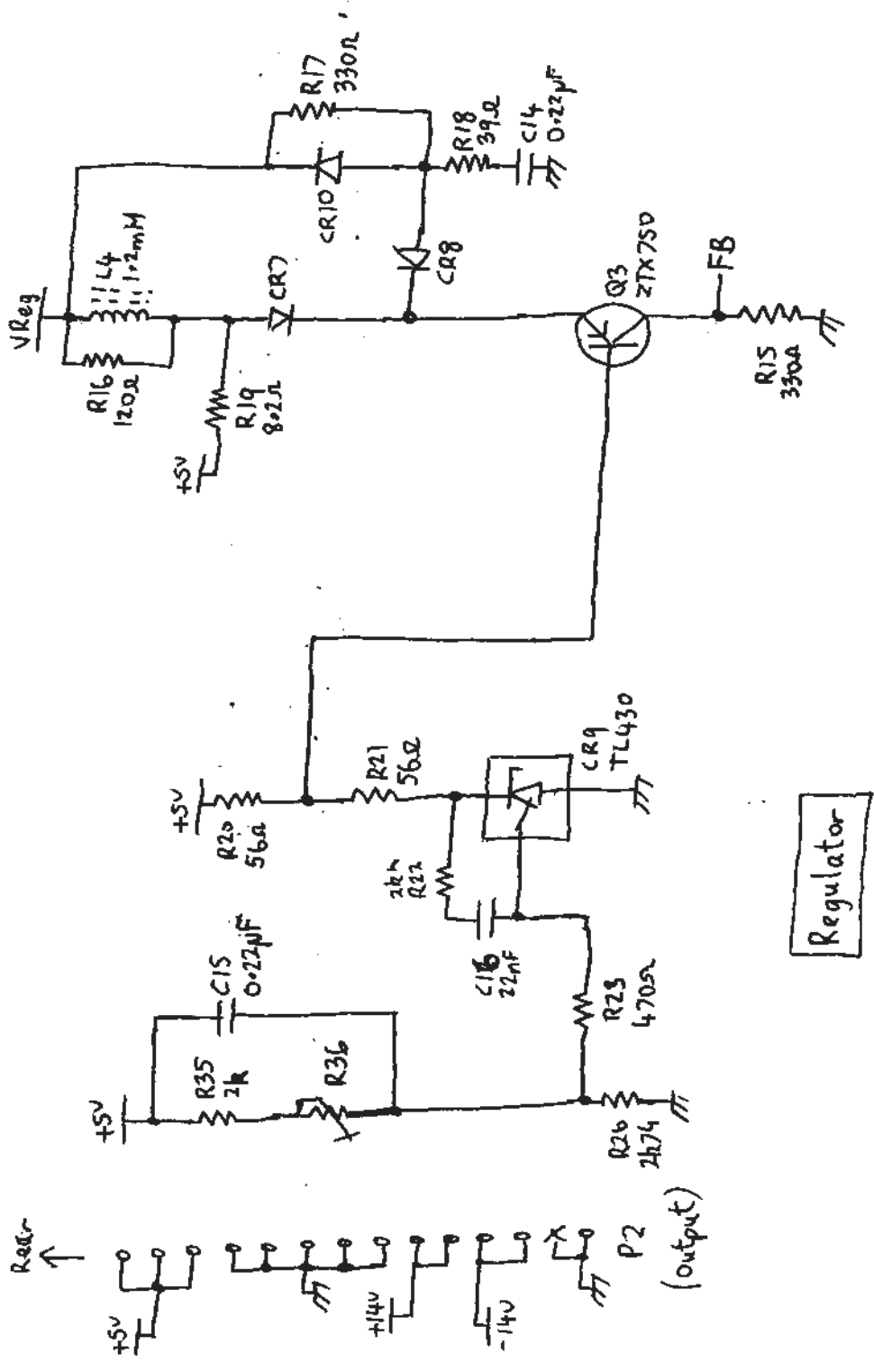


Output Rectifiers

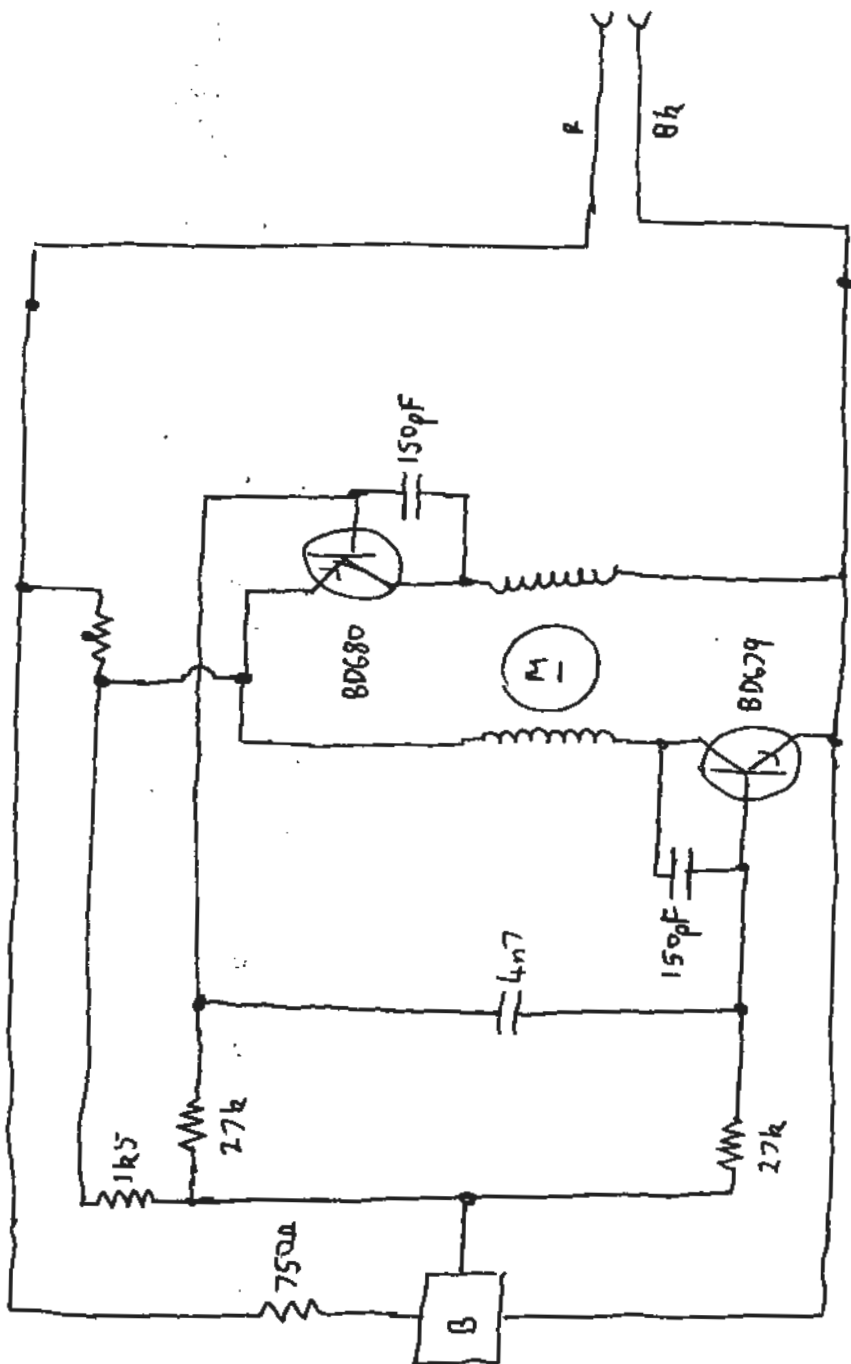
Power/Mate
09817-66552



Chopper Transformer

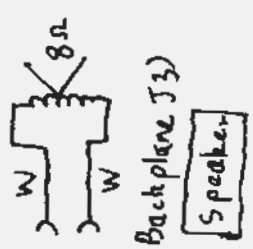
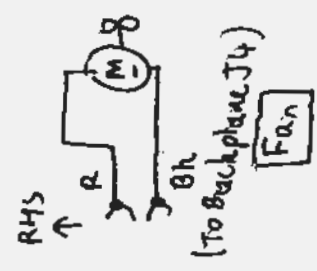
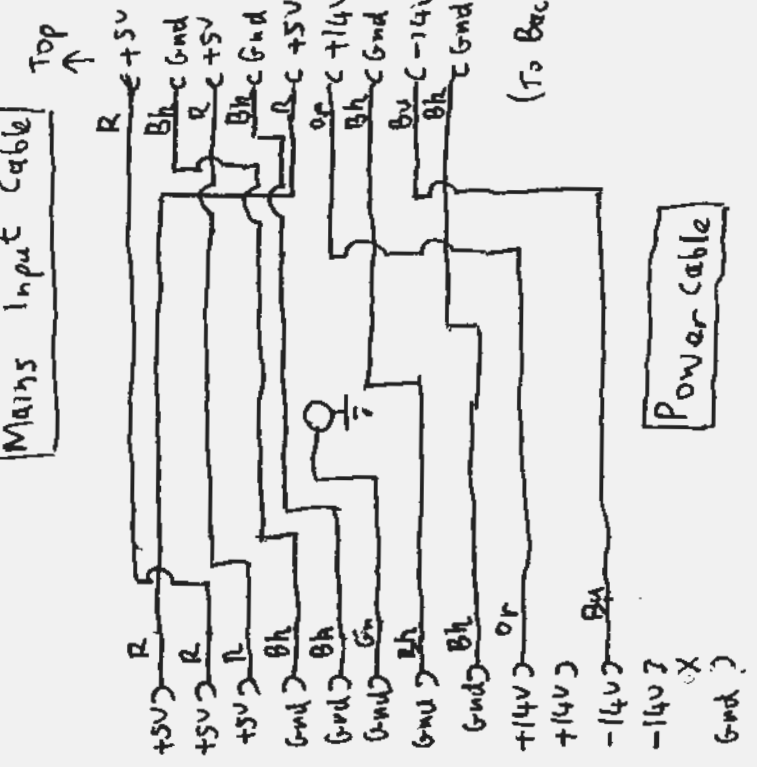
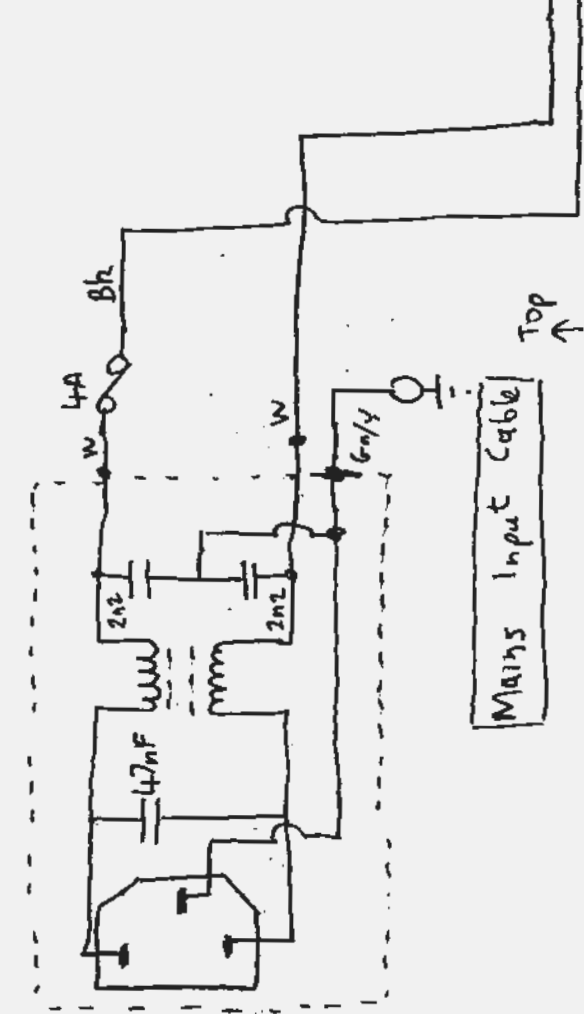
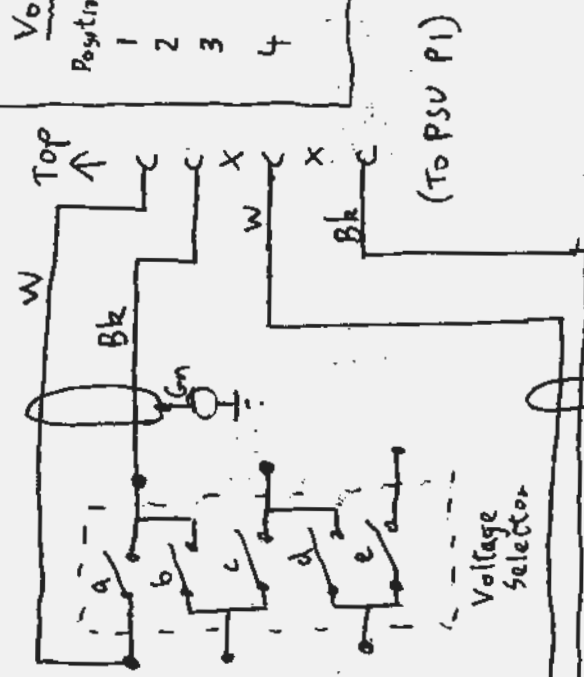


Regulator



HP9817 Fan

Position	Voltage	a	b	c	d	e
1	115V	✓		✓	✓	✓
2	115V	✓		✓	✓	✓
3	230V		✓		✓	✓
4	230V		✓		✓	✓



Rear ↑

(To PSU P2)

HP9817 Wiring

(To PSU P1)

(To Backplane J11)

(To Backplane J4)

(To Backplane J2)

(To Backplane J3)