

HP35 / HP45 Keyboard - Logic Connections

↑ LHS of machine .

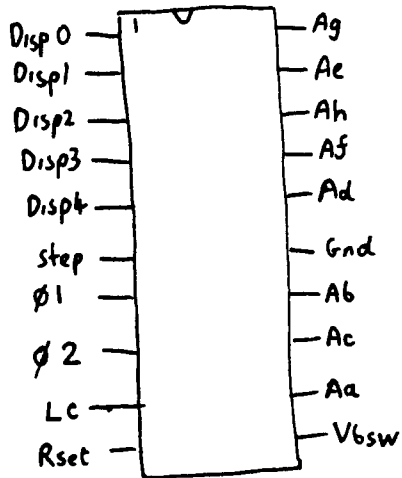
- o Disp0
- o Disp1
- o KC1
- o Disp2
- o Disp3
- o Disp4
- o Ø1
- o Ø2
- o KC2
- o V6sw
- o +82V Vcc
- o Gnd
- o Gnd
- o RCD
- o KC3
- o KR1
- o KR2
- o KR3
- o KC5
- o KR4
- o KC4
- o KR5
- o KR6
- o KR7
- o KR8

HP35/HP45 Keyboard / Display

Anode Driver

1820-0853

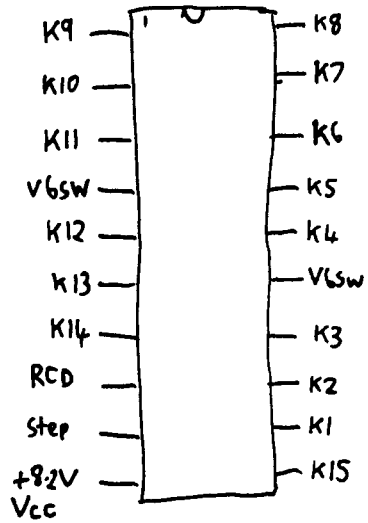
1820-1029



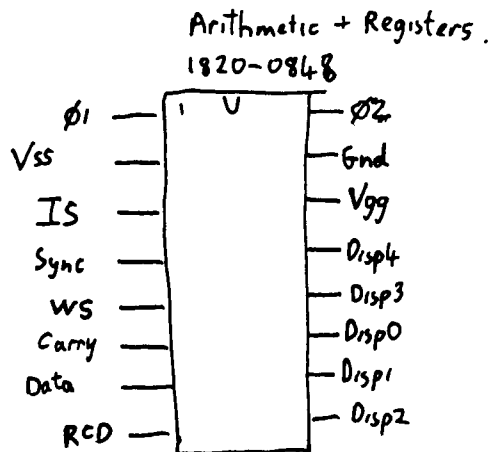
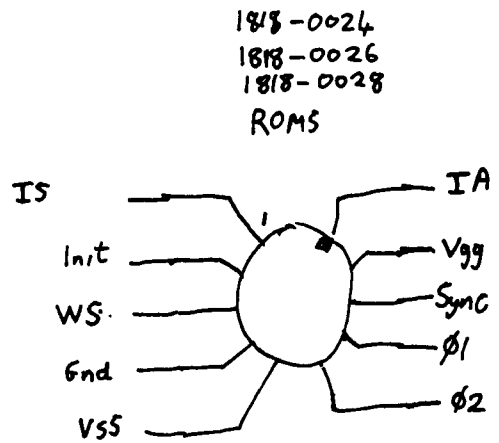
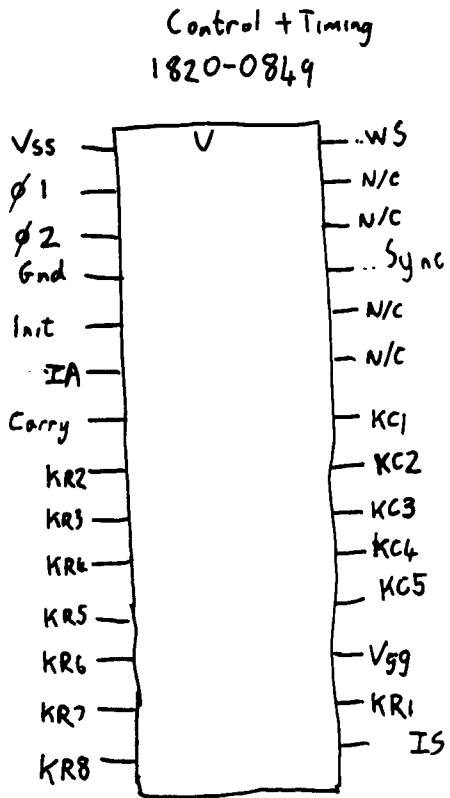
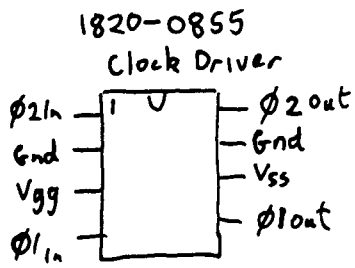
Cathode Driver

1820-0854

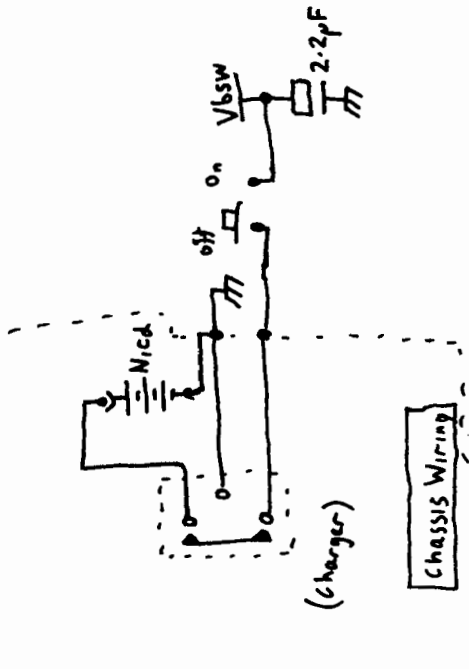
1820-1226



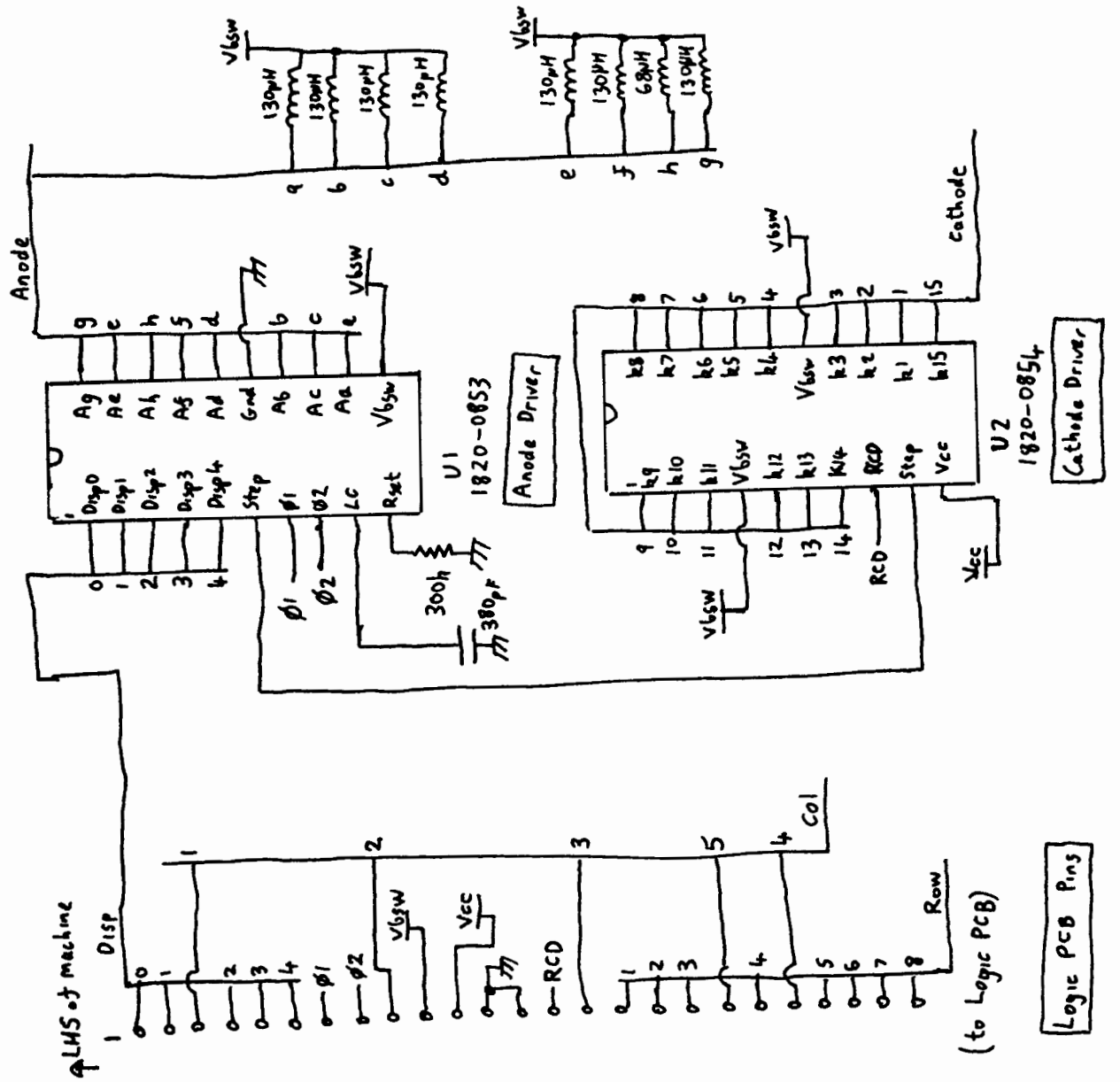
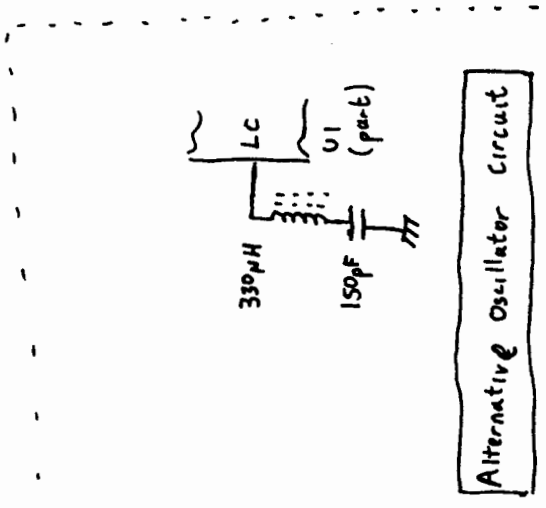
HP35 Logic

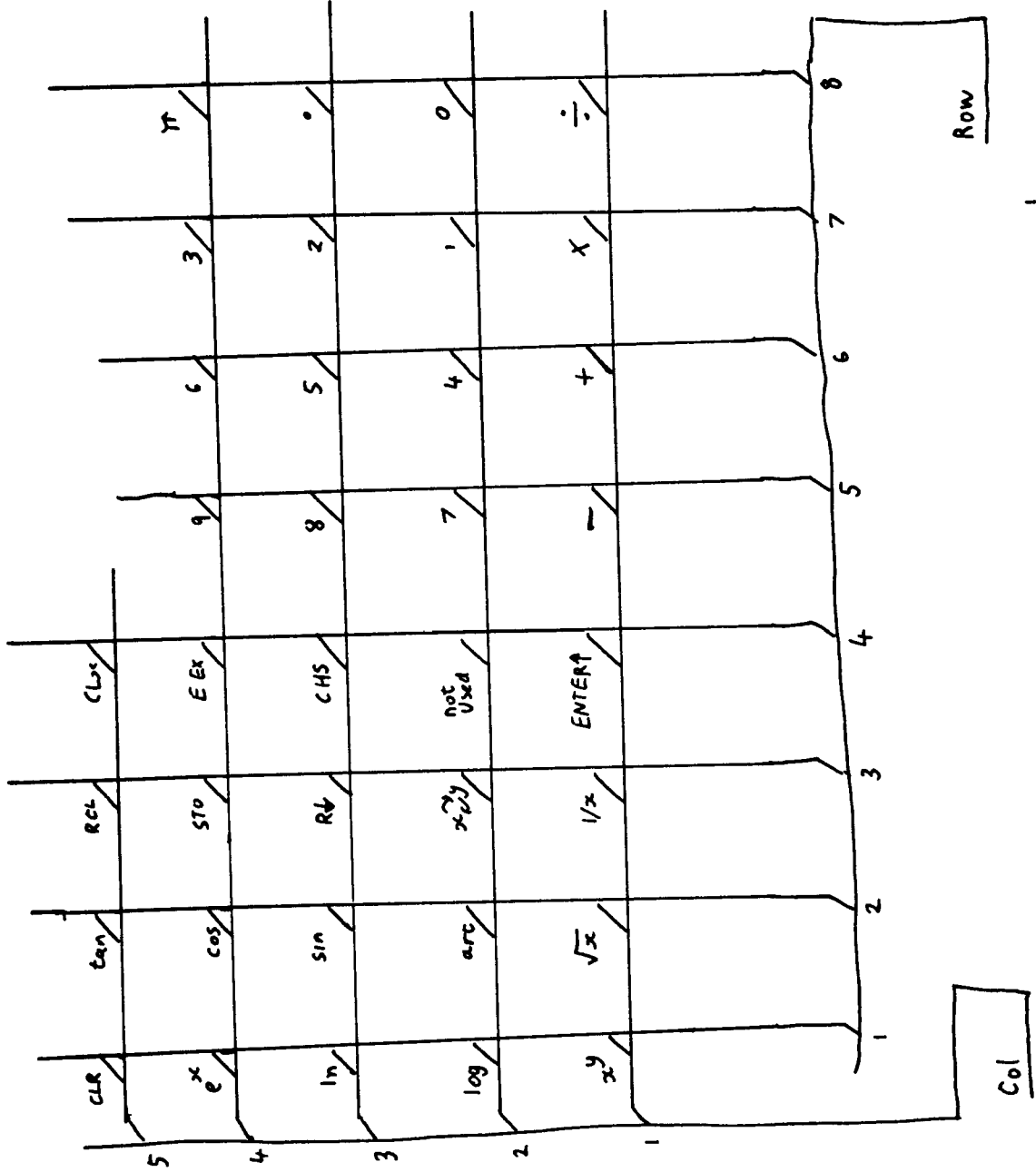
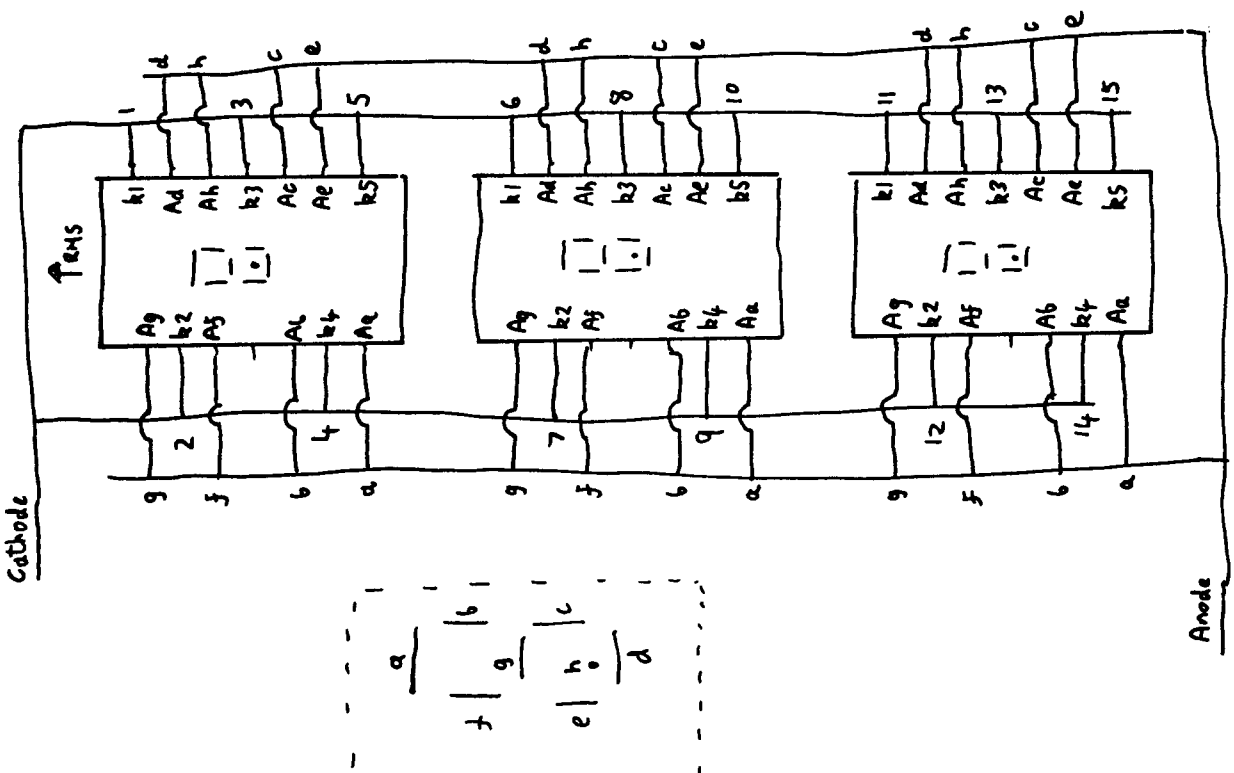


- Testpoints
- o Vss
 - o Gnd
 - o phi1
 - o phi2
 - o Vgg
 - o IS
 - o IA
 - o Sync
 - o WS
 - o Init
 - o Carry
 - o Data



Battery

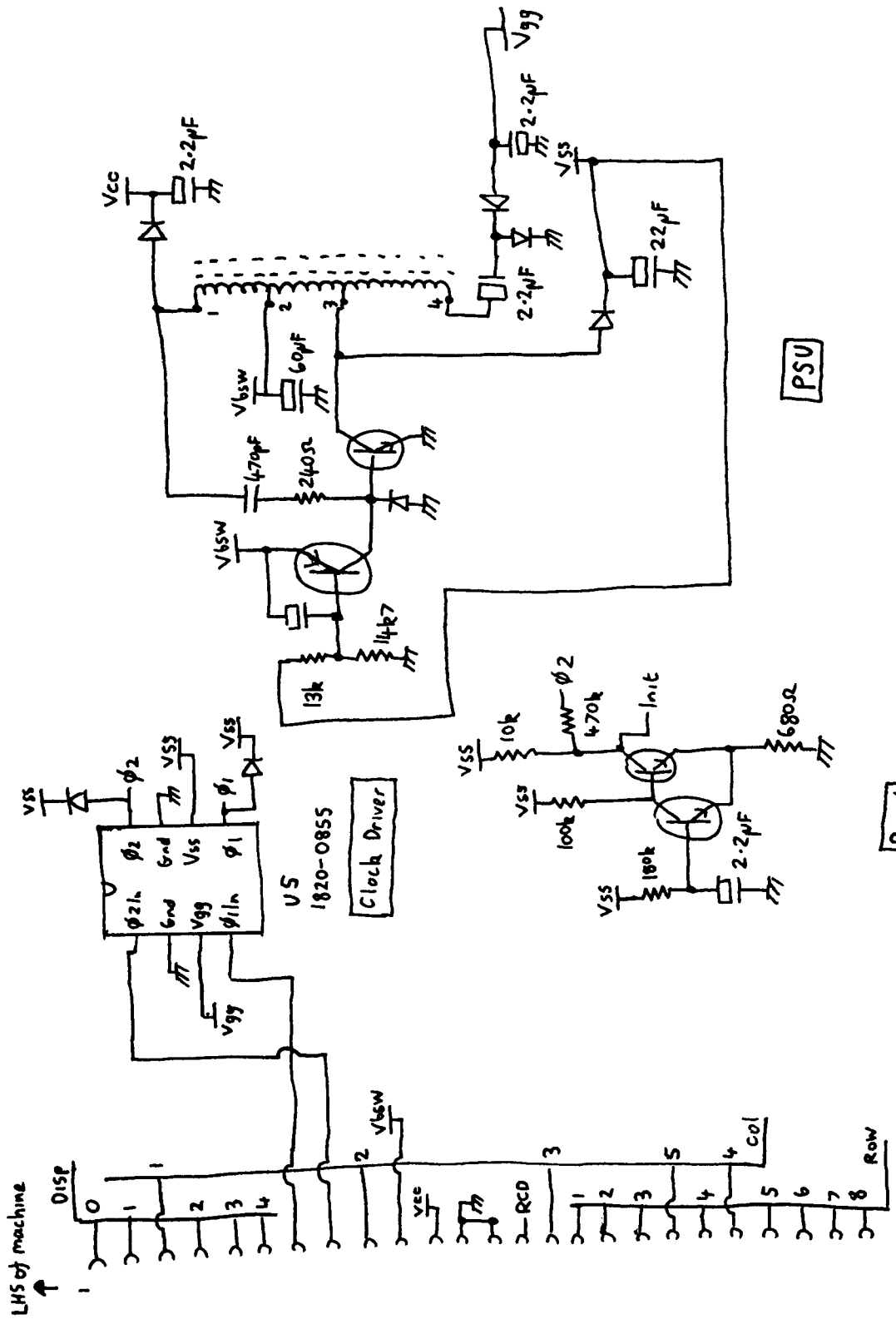




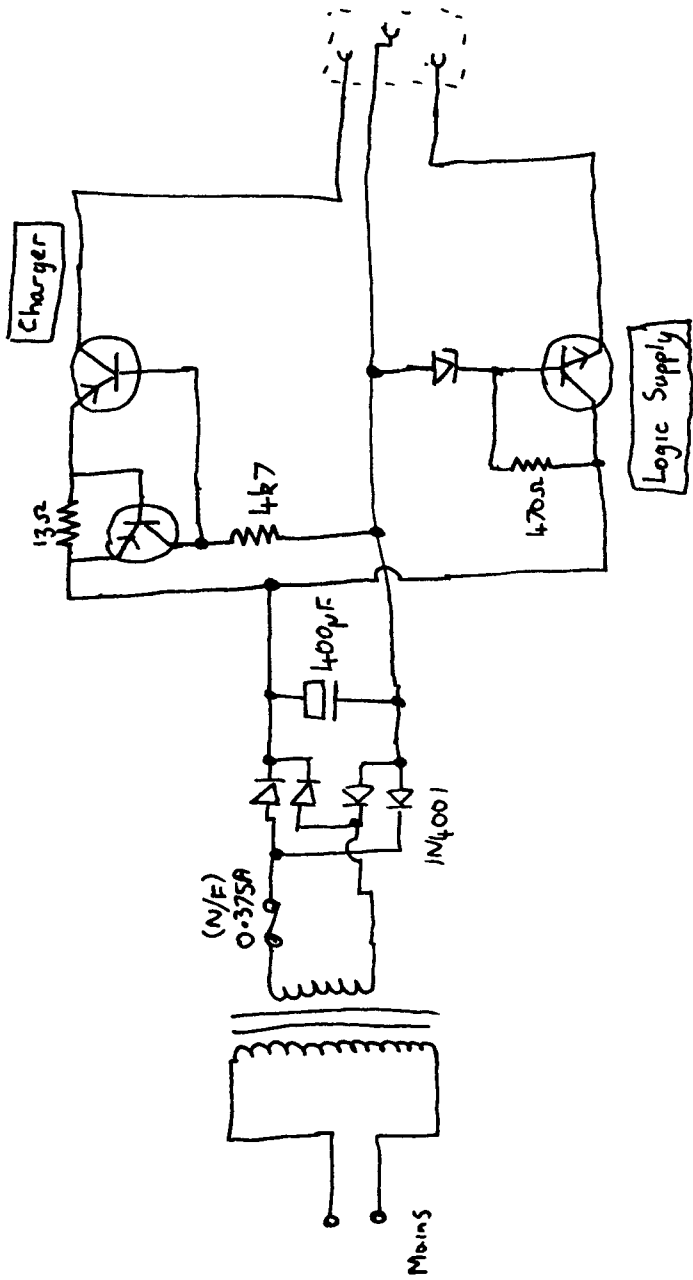
Keyboard

Display

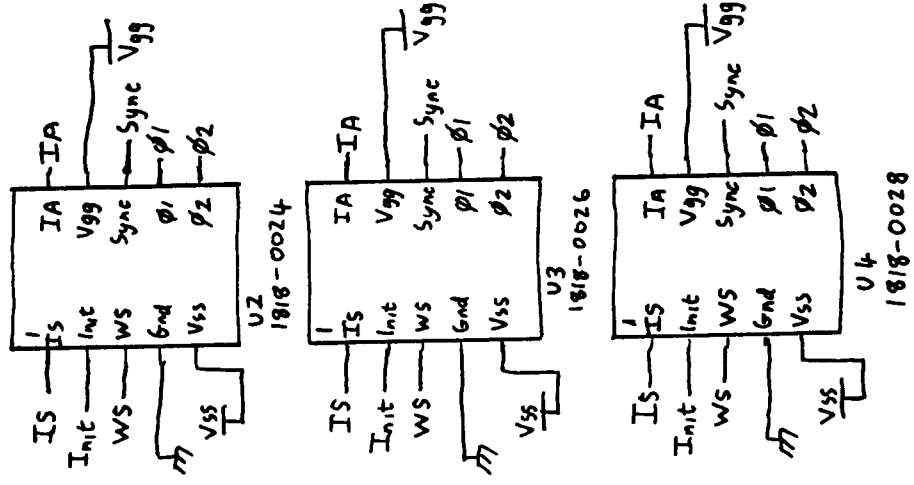
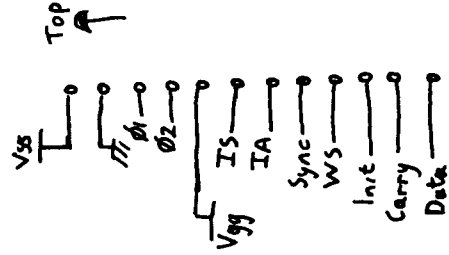
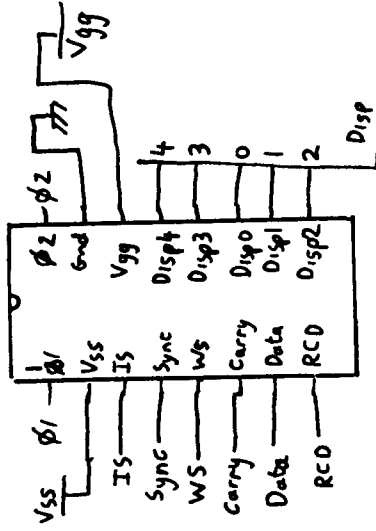
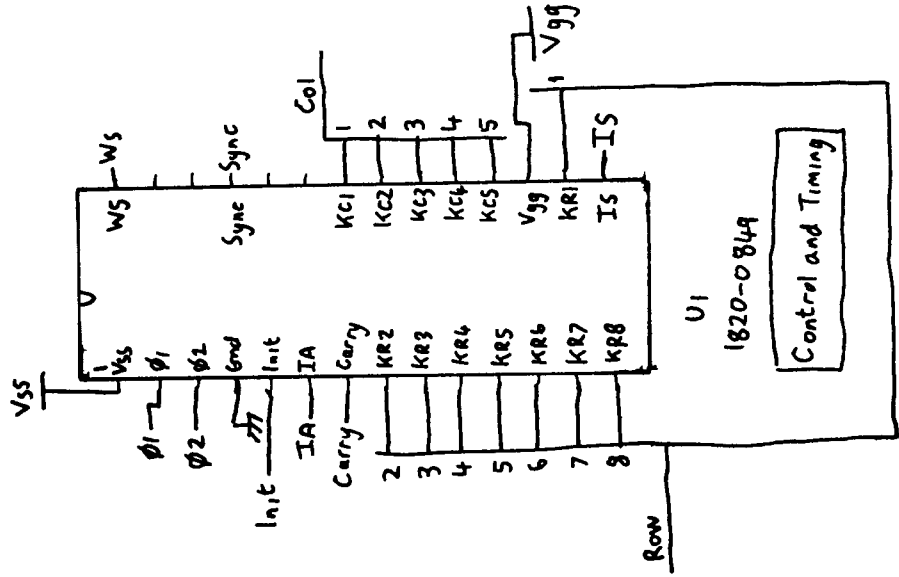




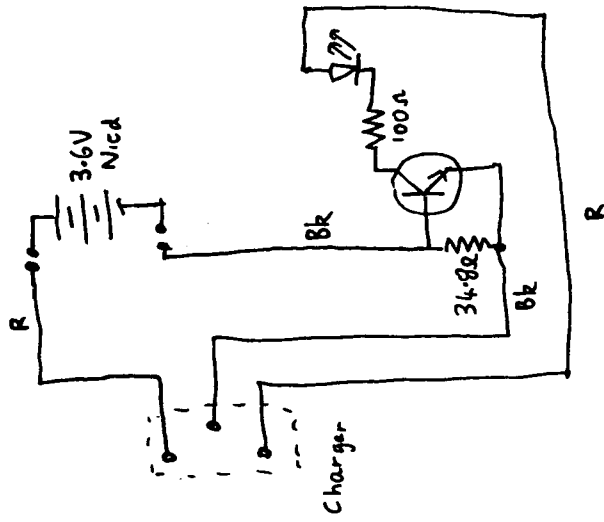
(To keyboard / Display PCB)



82011A Charger



ROM



'Classic Series' Reserve Power Pack