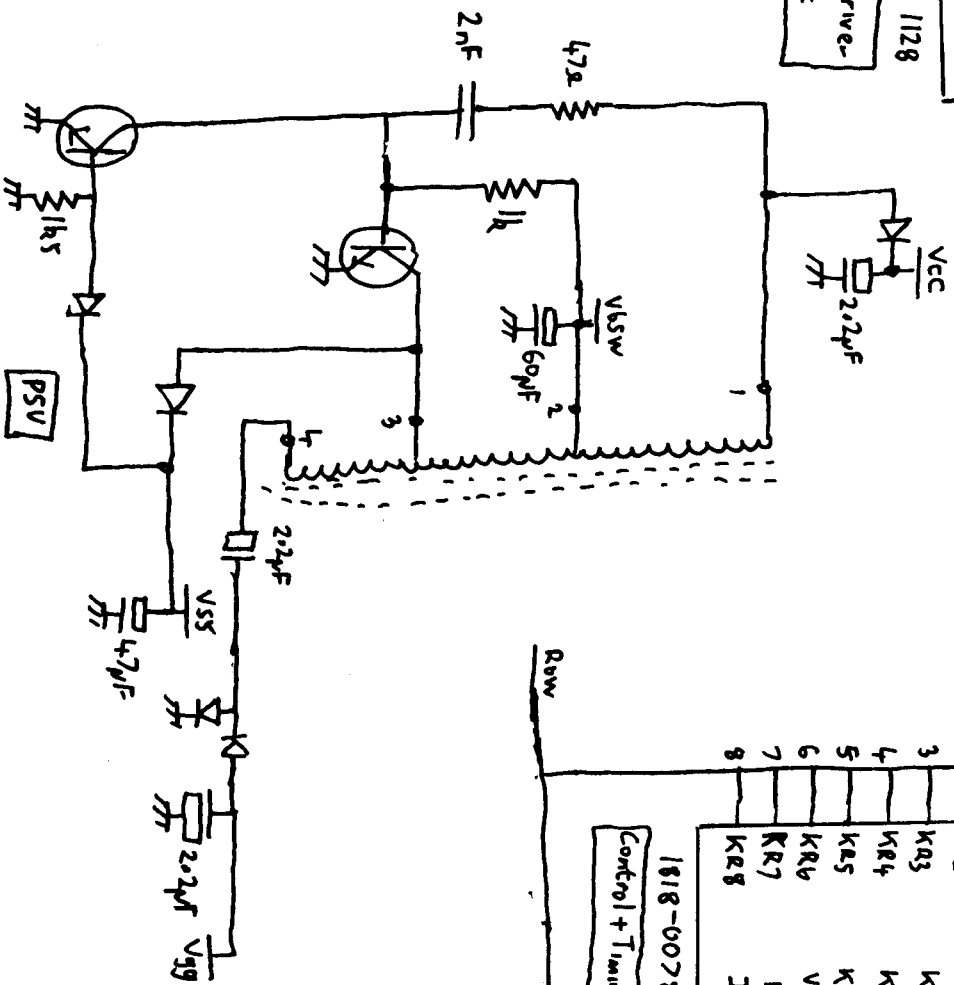
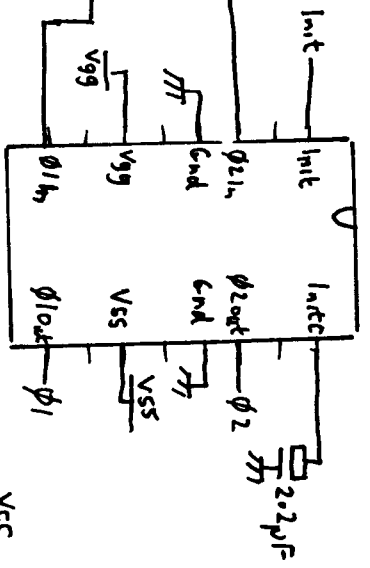
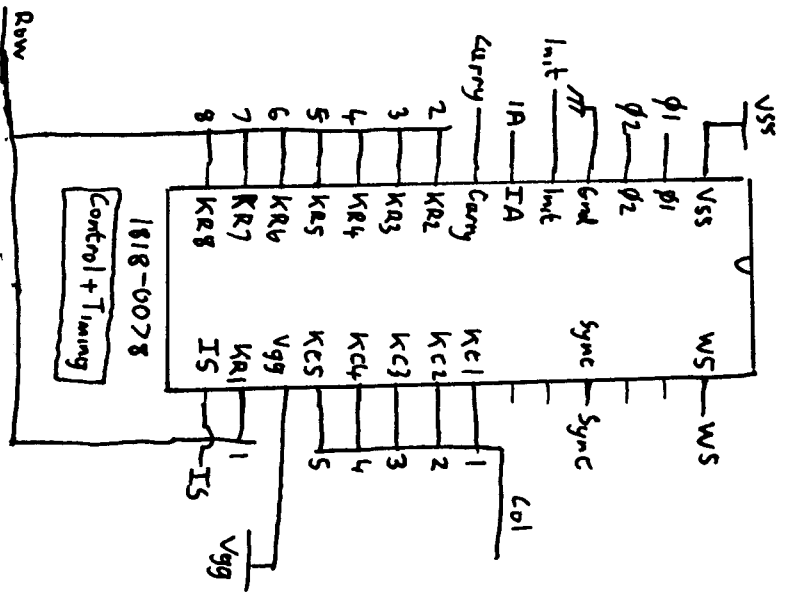


1820-1128
Clock Driver + Init

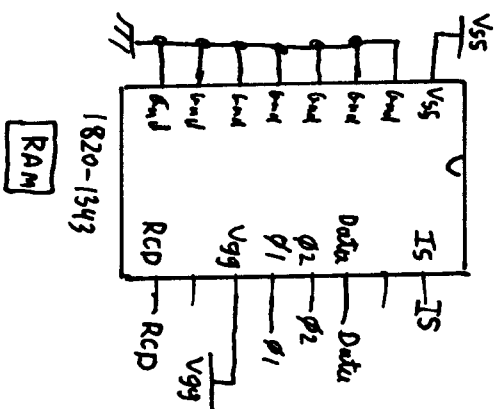
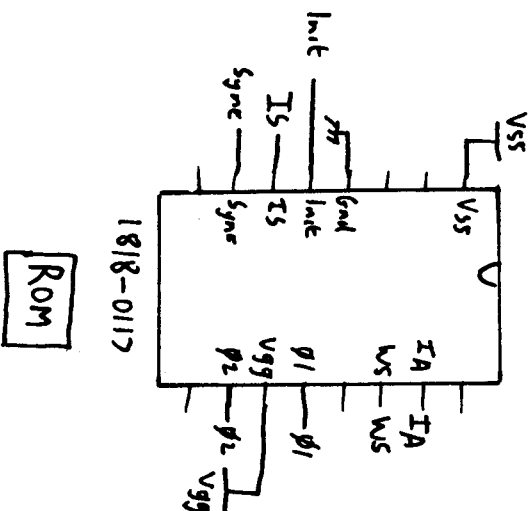
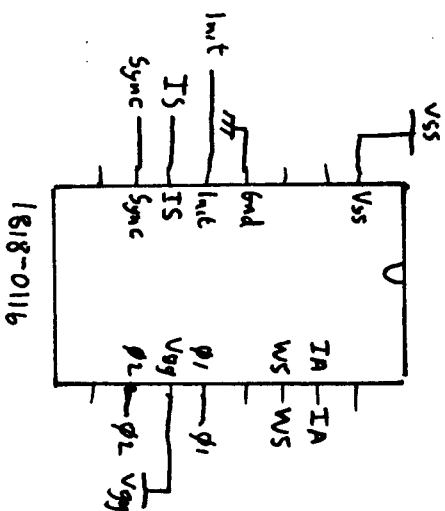
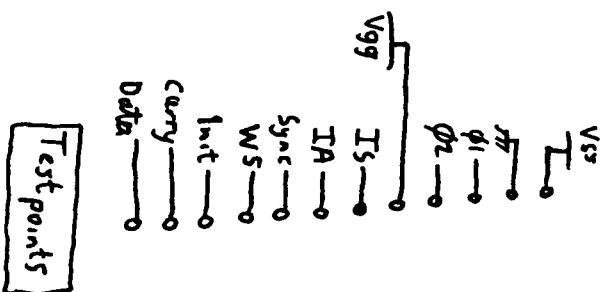
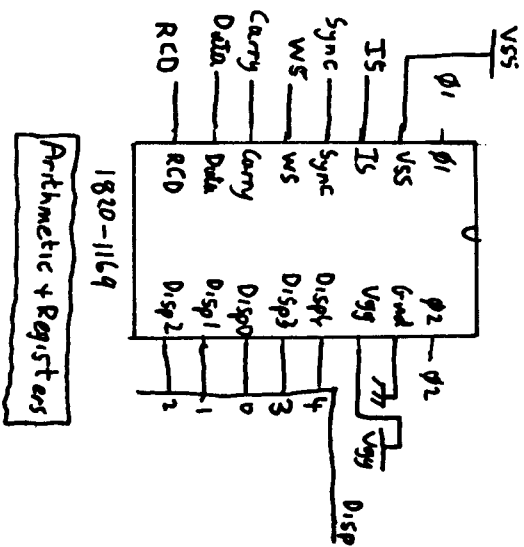


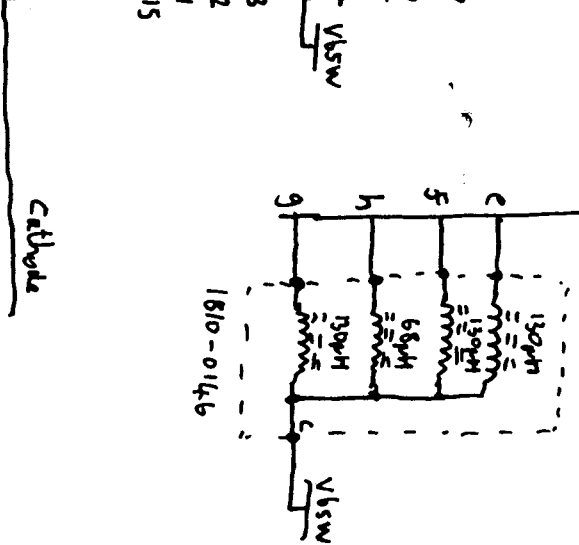
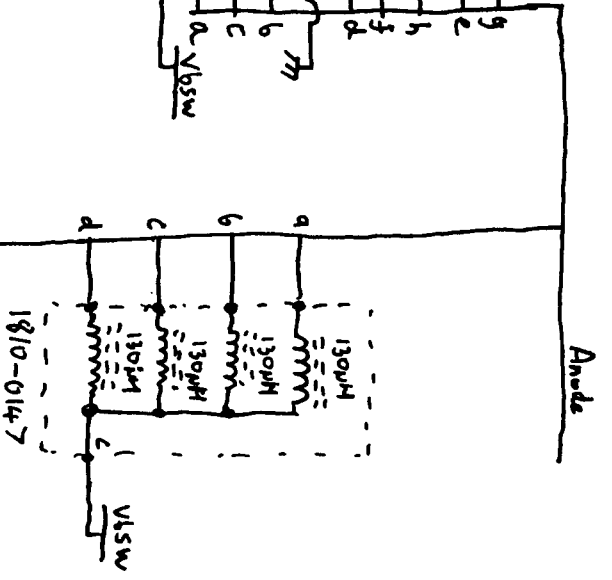
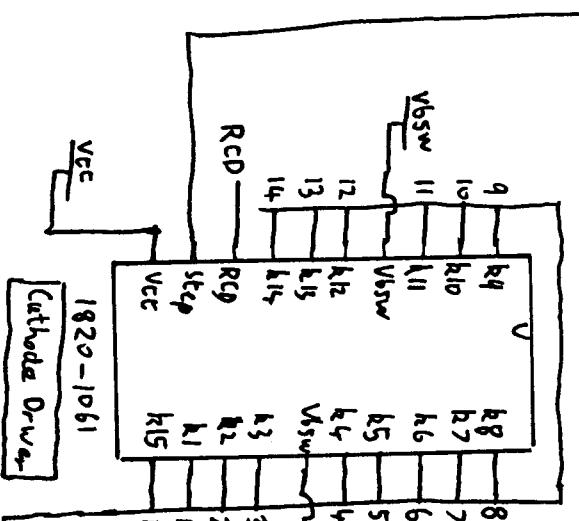
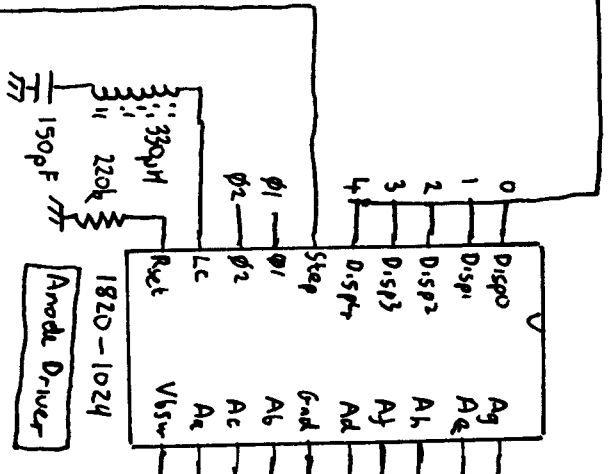
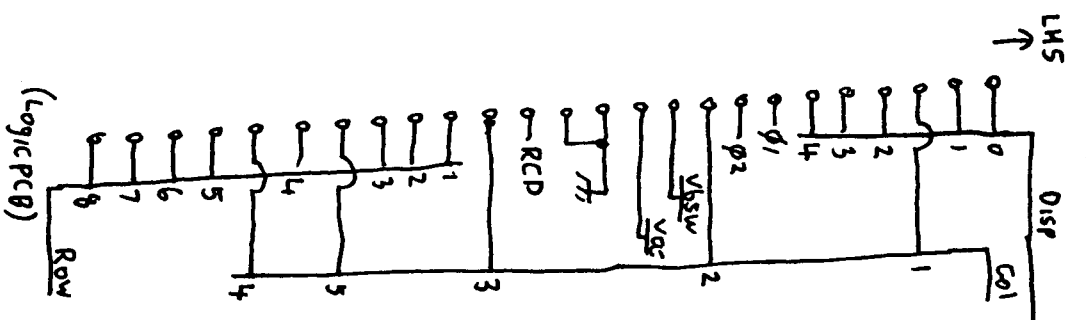
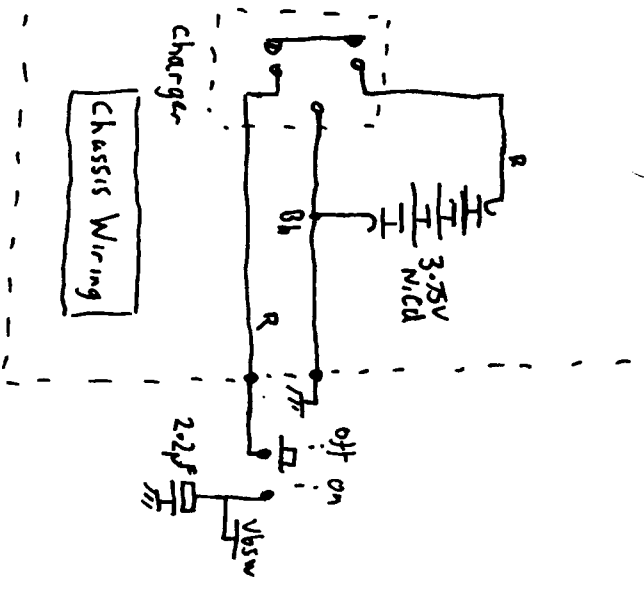
1818-0078
Control + Timing

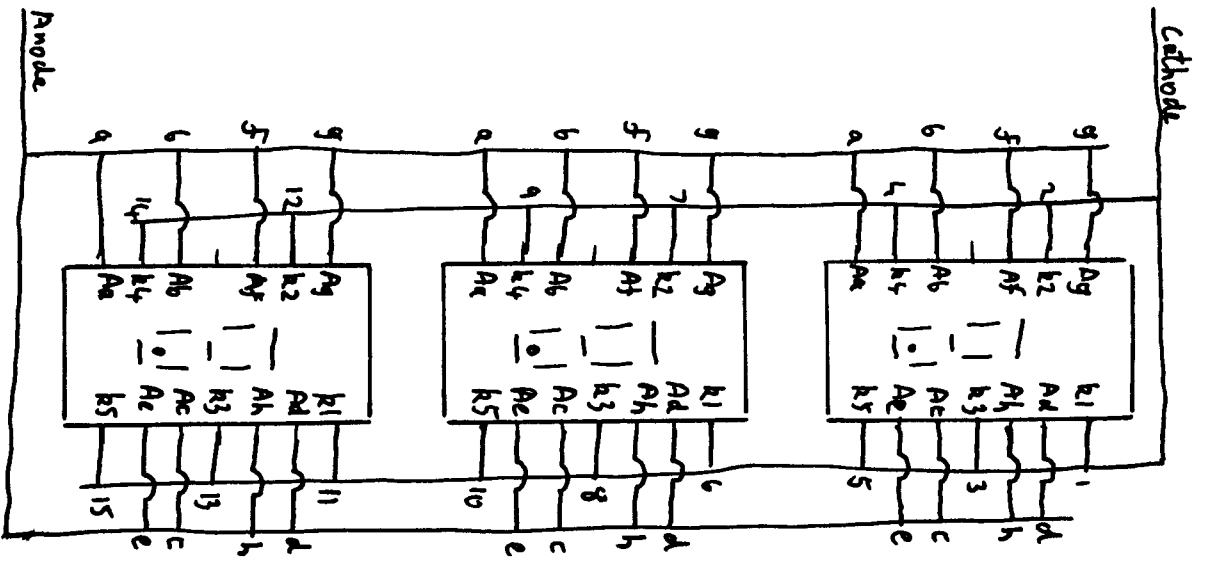


HP70 Logic PCB sheet ①

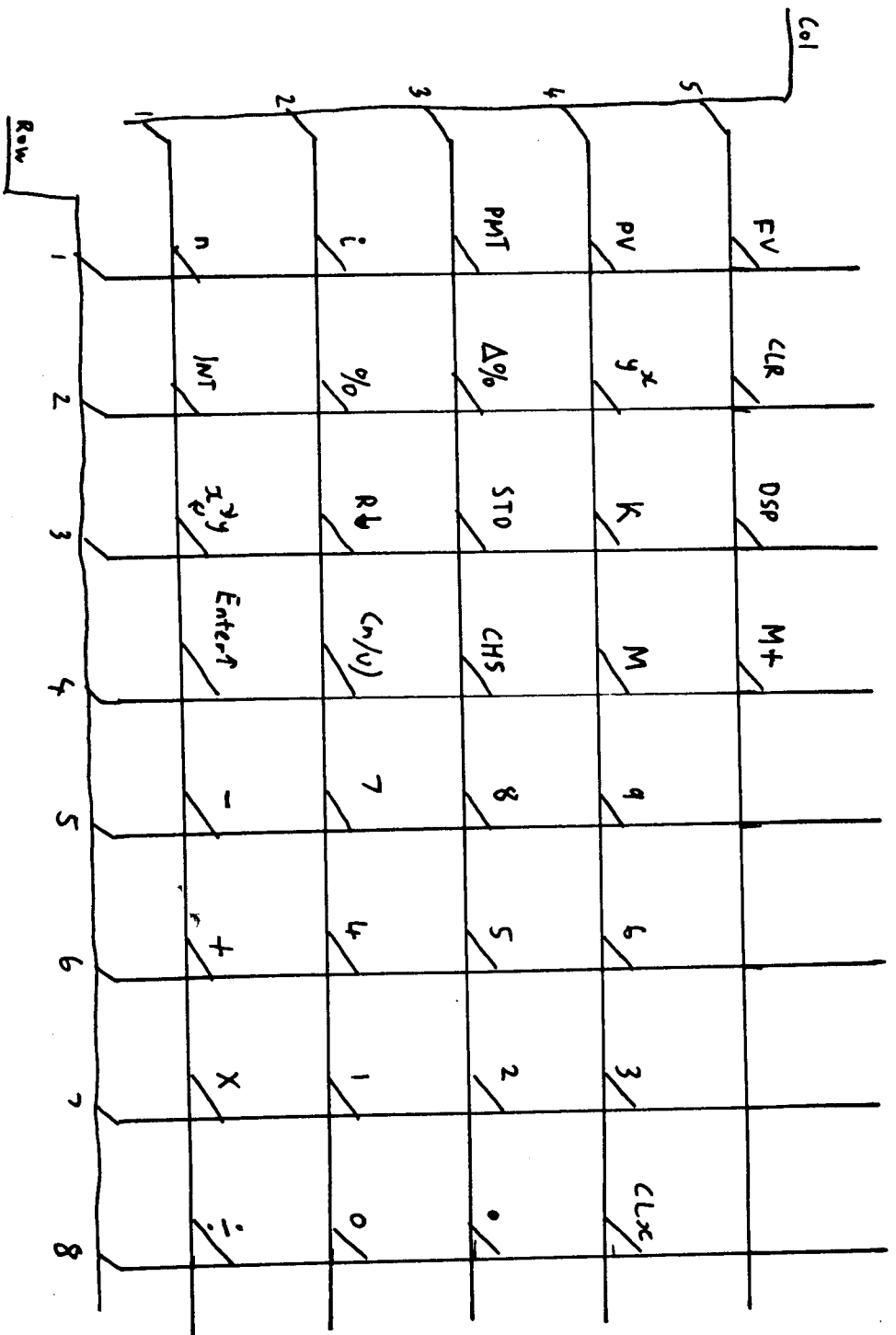
G0070-60300



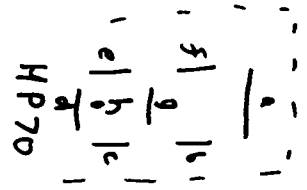




Display



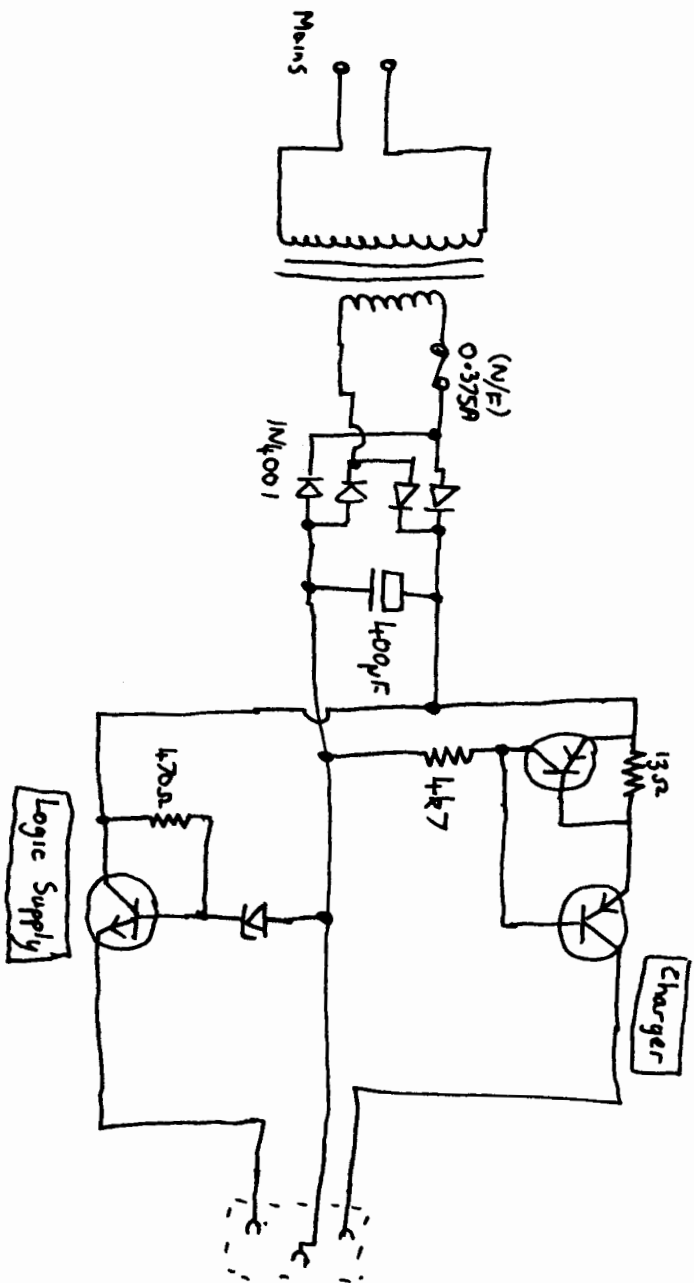
Keyboard



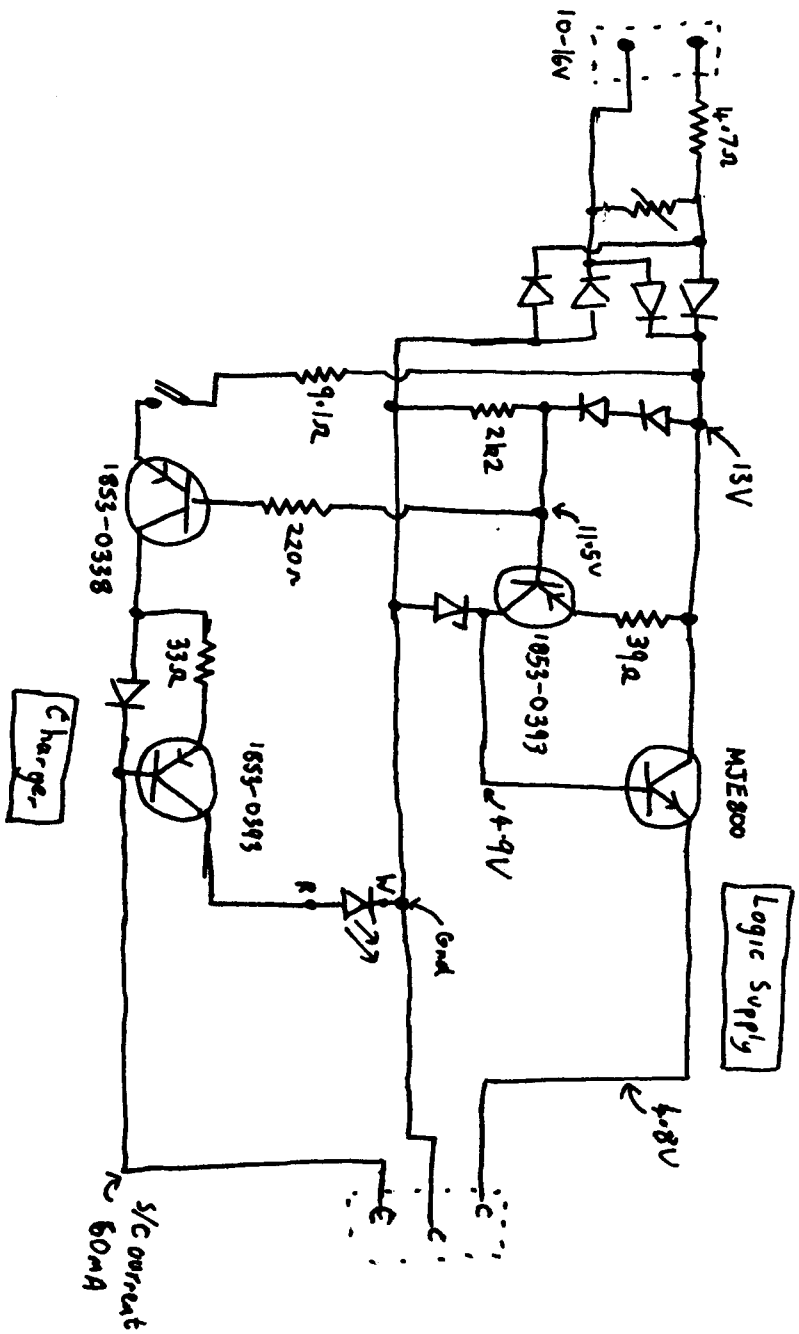
HP70

Keyboard/Display PCB sheet ②

00035-60004

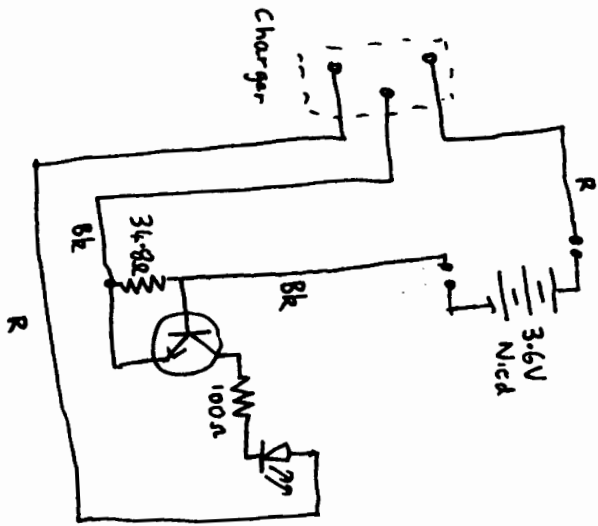


82011A Charger



- Notes:
- ① All voltages measured wrt logic ground. 15V DC Input
 - ② LED version of charge-circuit supplying current and load (battery pack) not short-circuit.

HP82054 'Classic' Car charger



Classic Series Reserve Power Pack