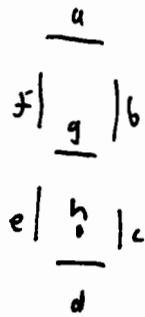
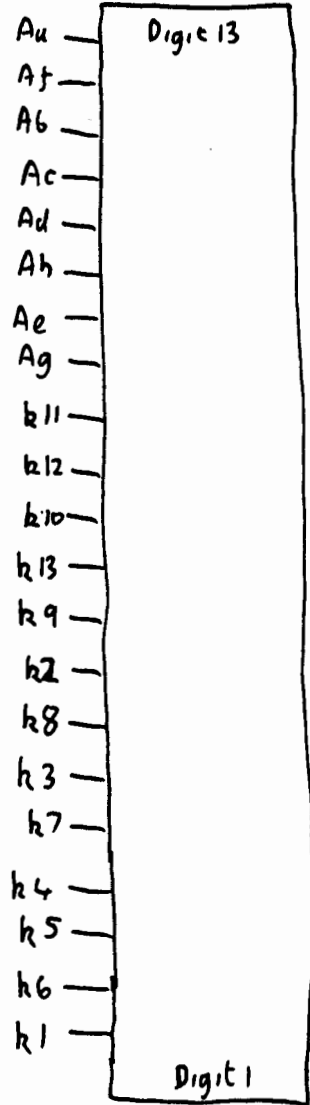
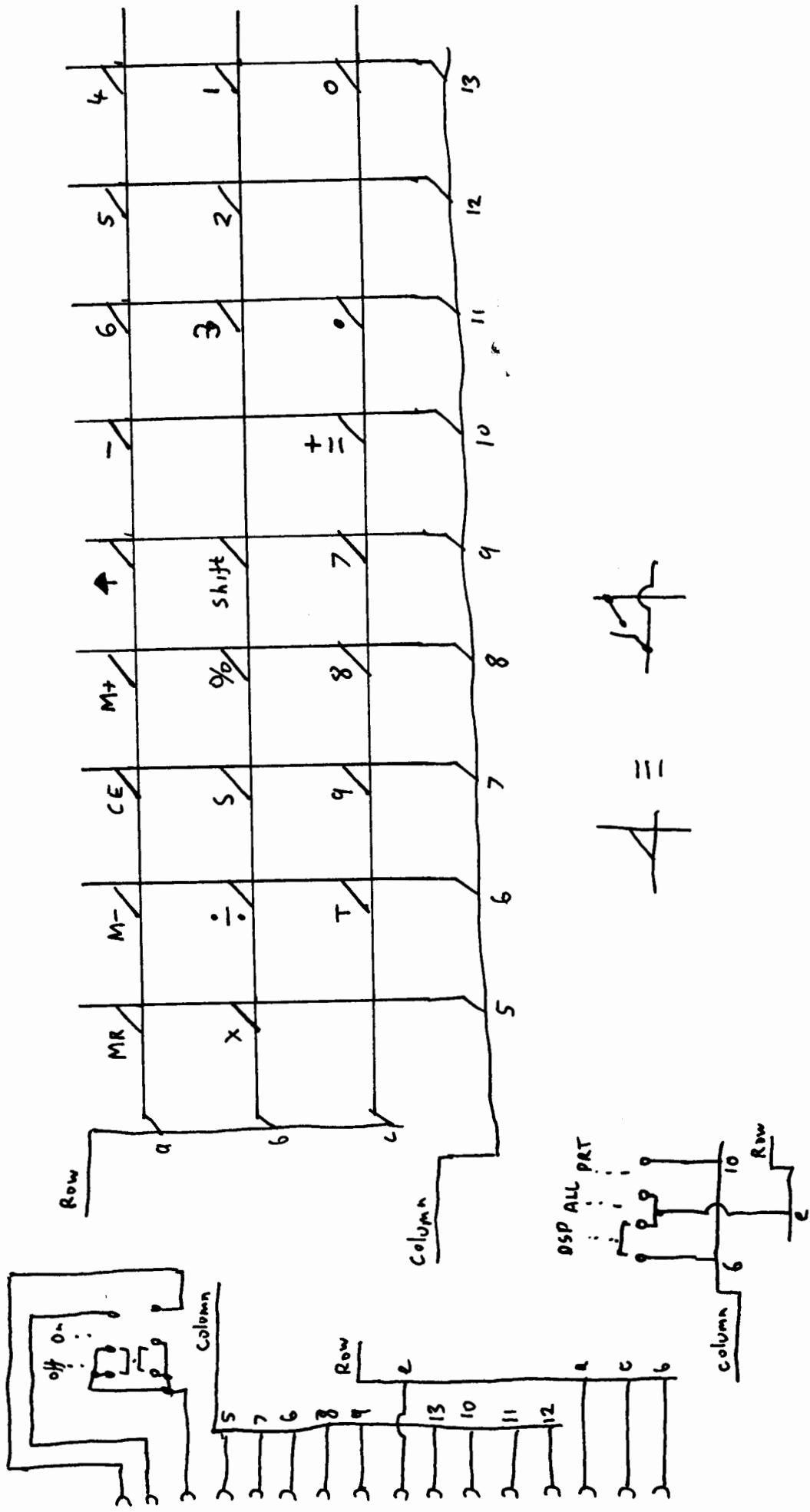


HP10
HP19C

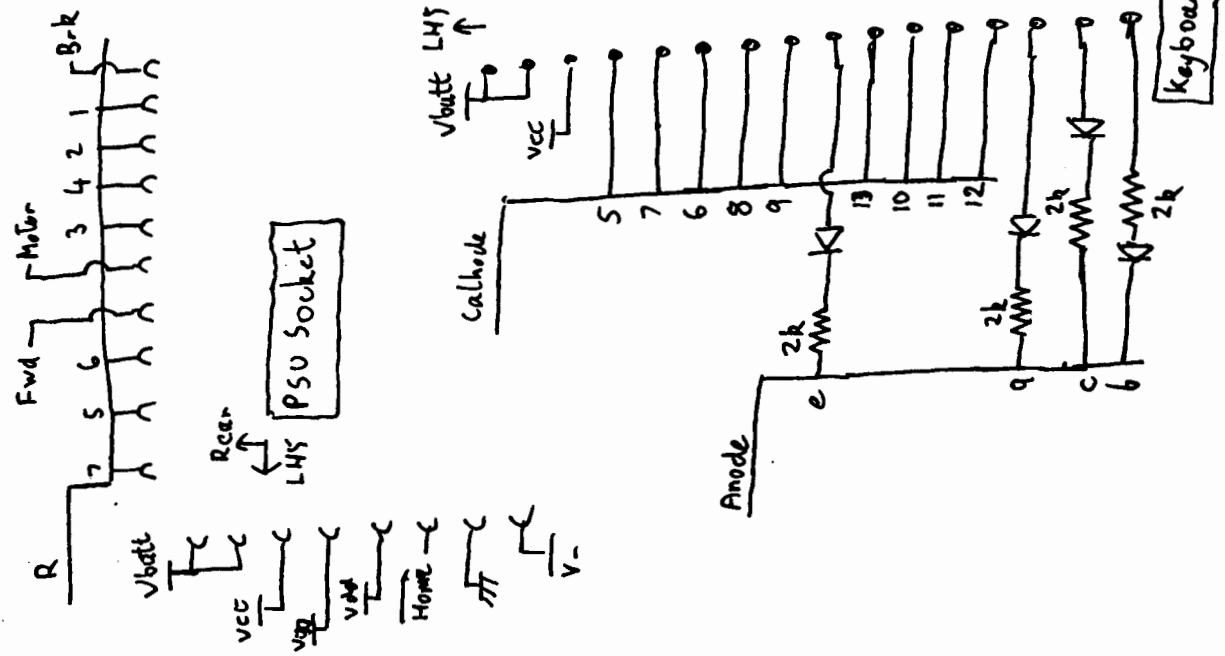
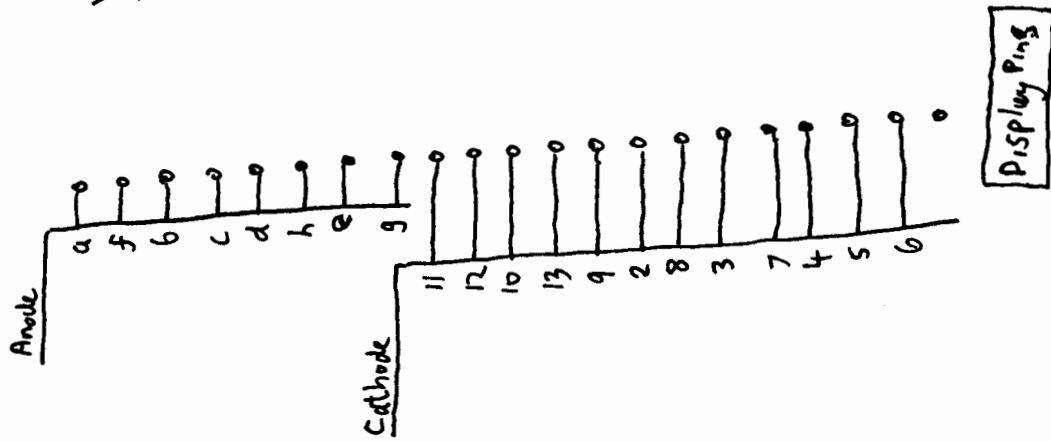
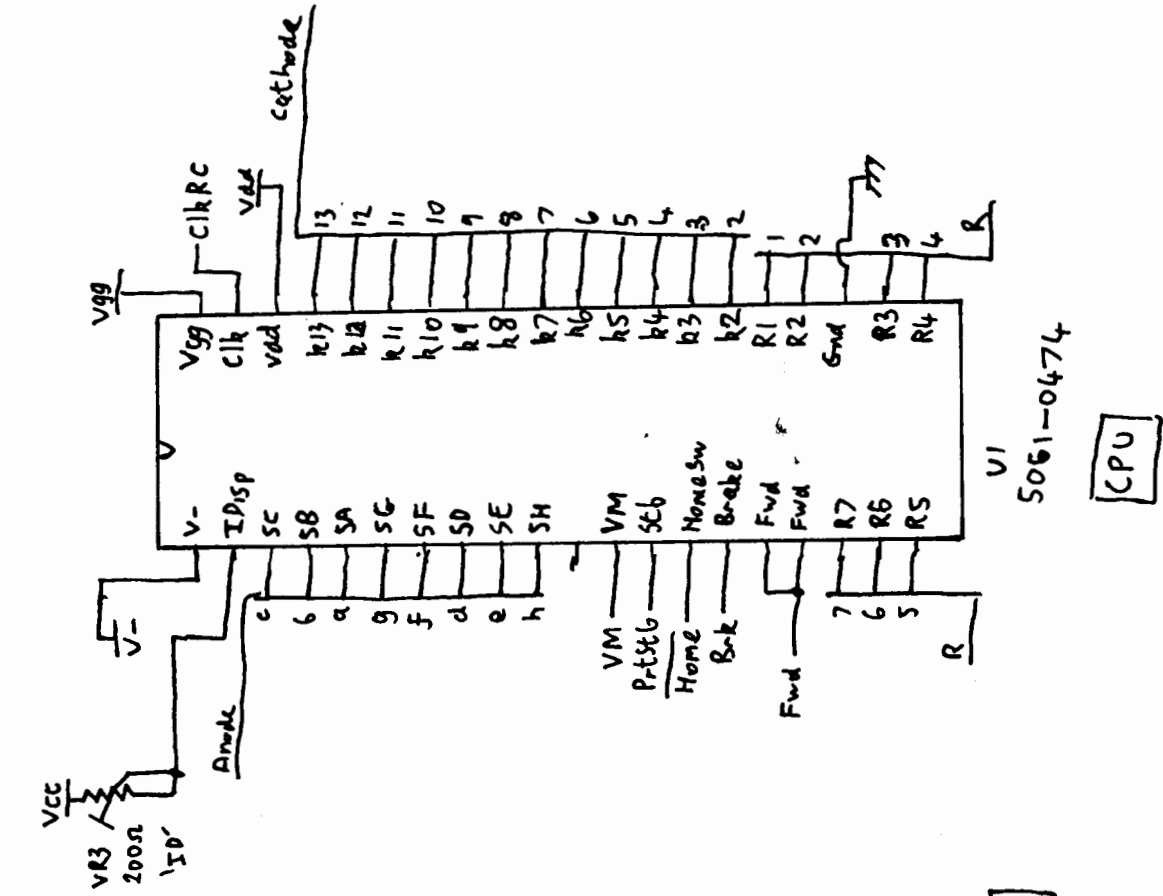
1130-0536 Display

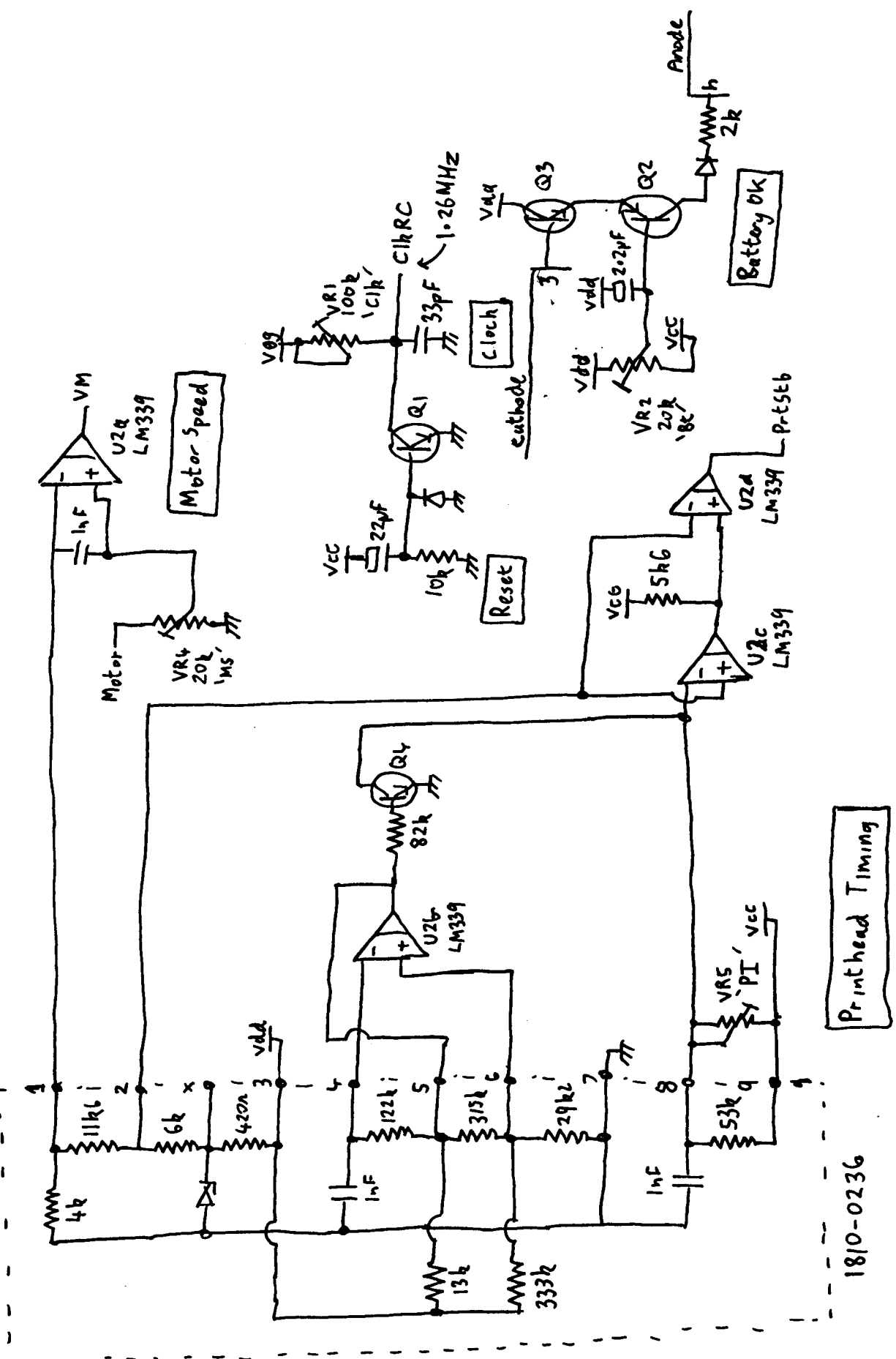
L45
↑





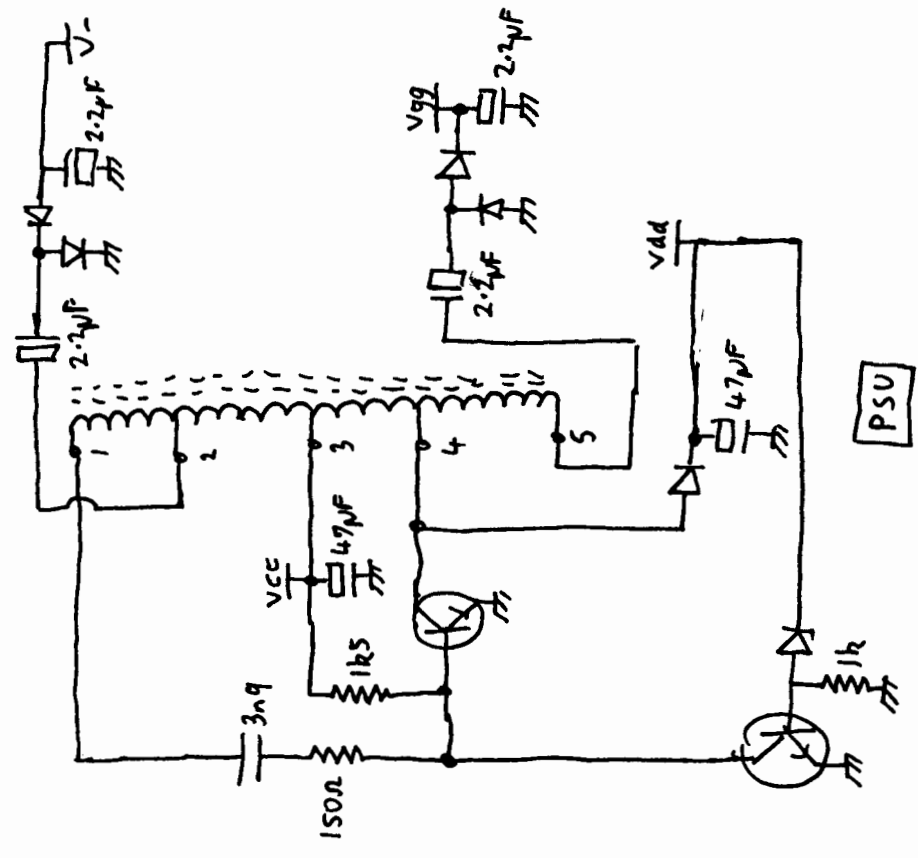
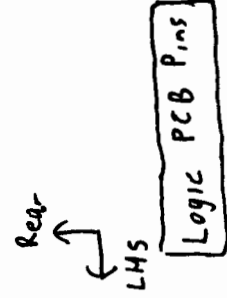
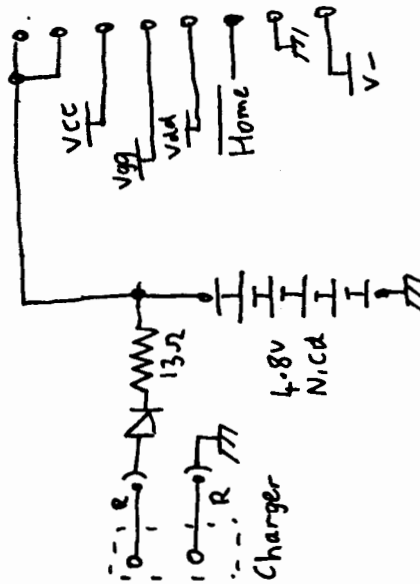
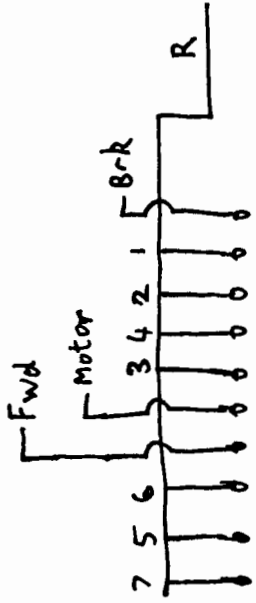
HP10 Keyboard





1810-0236

Printhead Timing



Note: This machine Uses Nmos ICs

