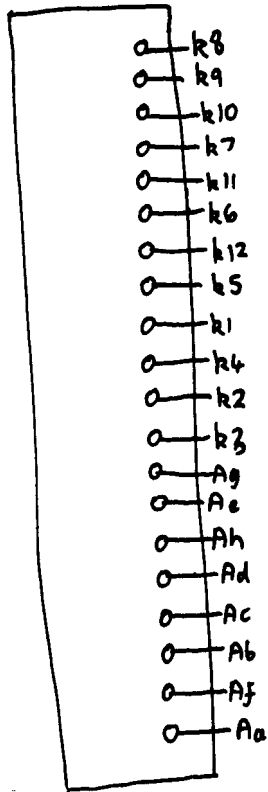


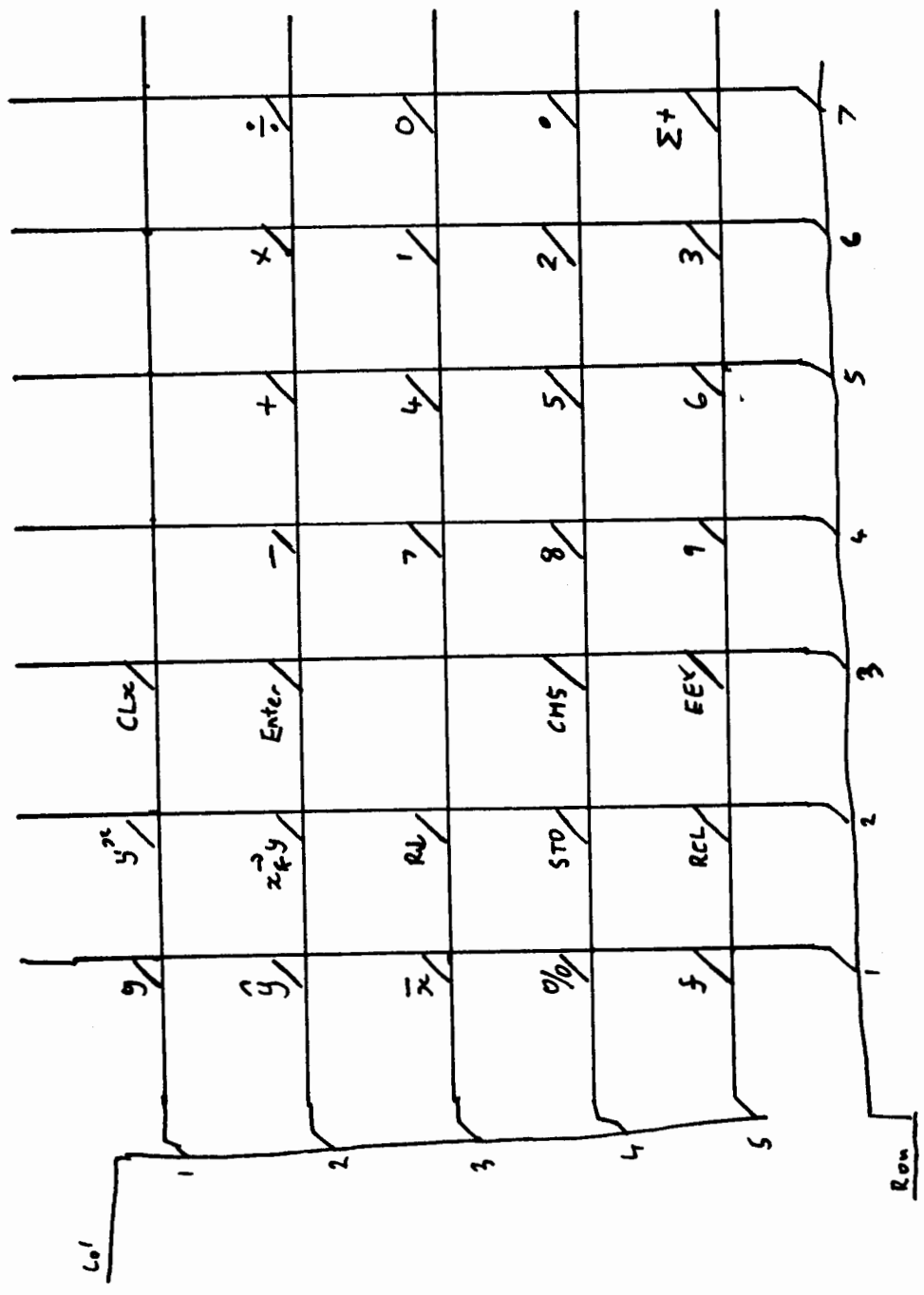
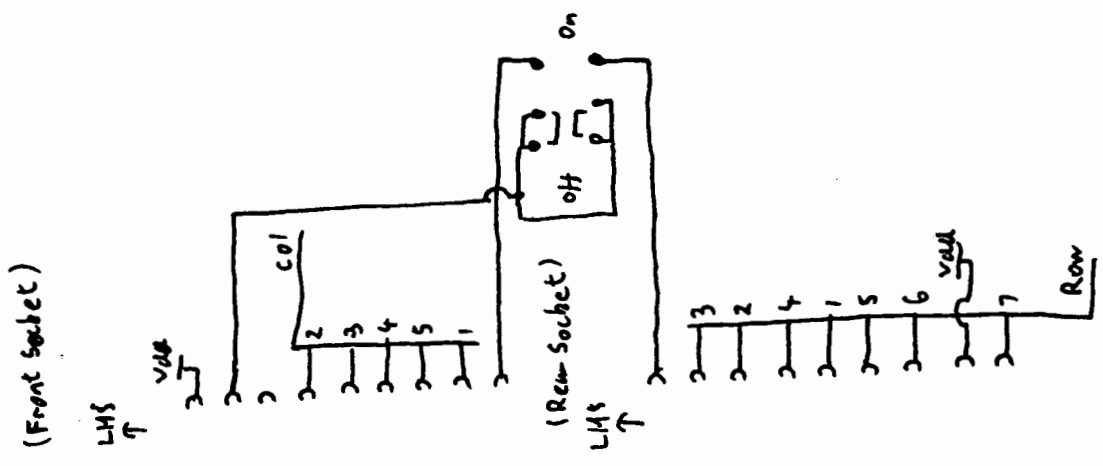
$$\begin{array}{c} \underline{a} \\ s | \underline{g} | b \\ e | \quad | c \\ \underline{d} \quad o h \end{array}$$



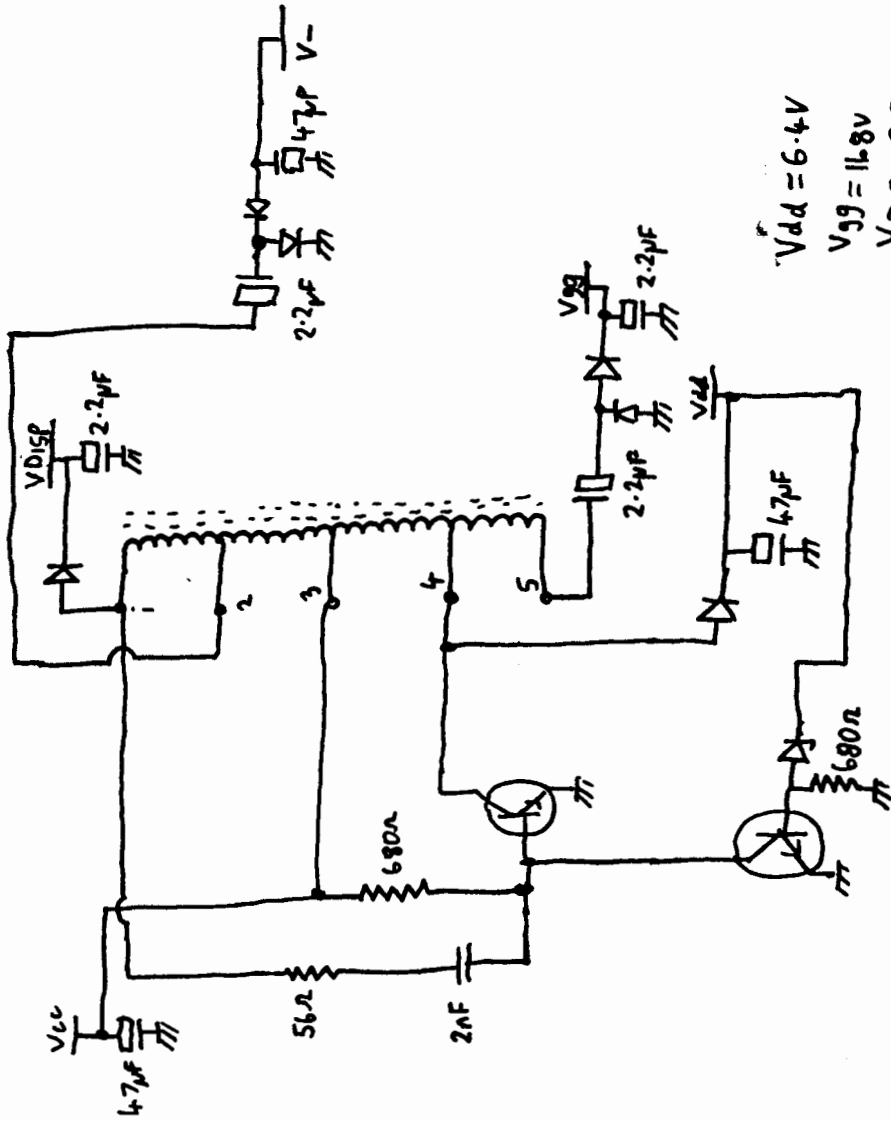
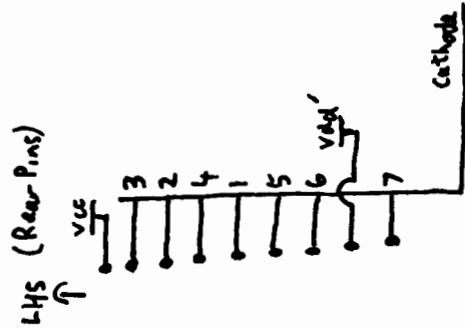
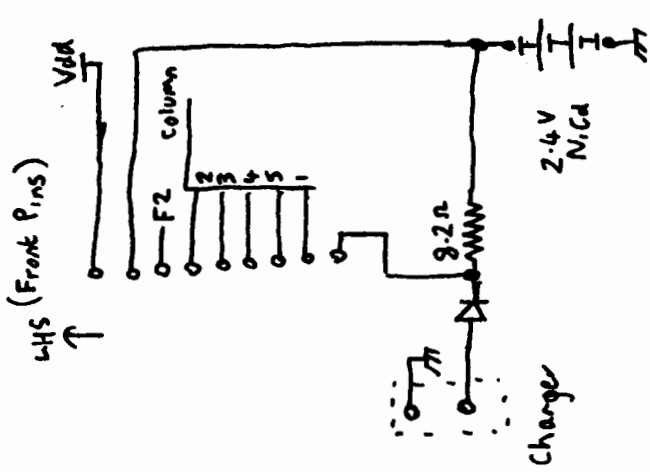
↓
 Digit 1

1990-0495

(HP21 Display)



HP27 Keyboard 00021-60002

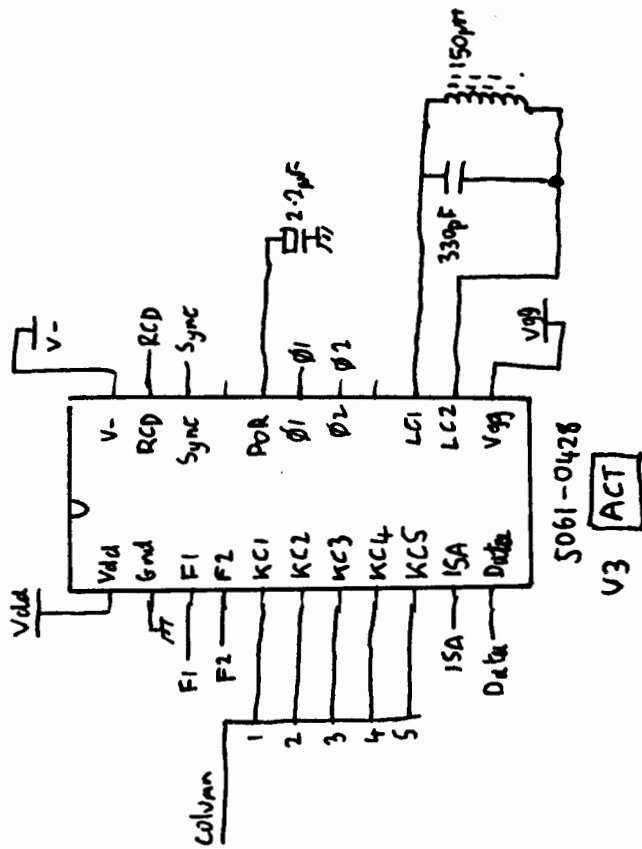
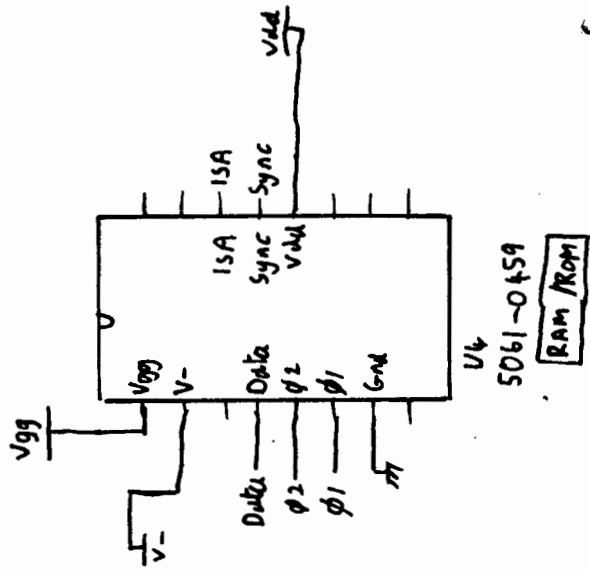


$V_{DD} = 6.4V$
 $V_{GG} = 16.8V$
 $V^- = -2.8V$
 $V_{DISP} = 4.9V$

PSU

Note : This machine uses NMOS ICs.

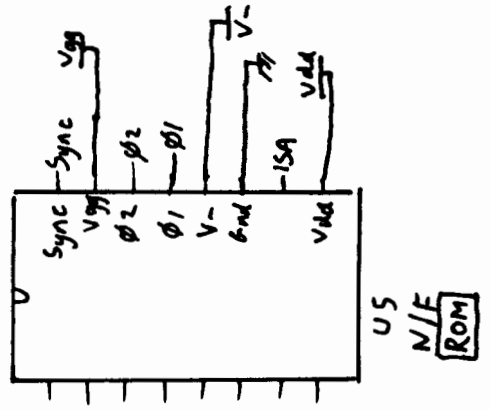
Power supply outputs are different from other calculators

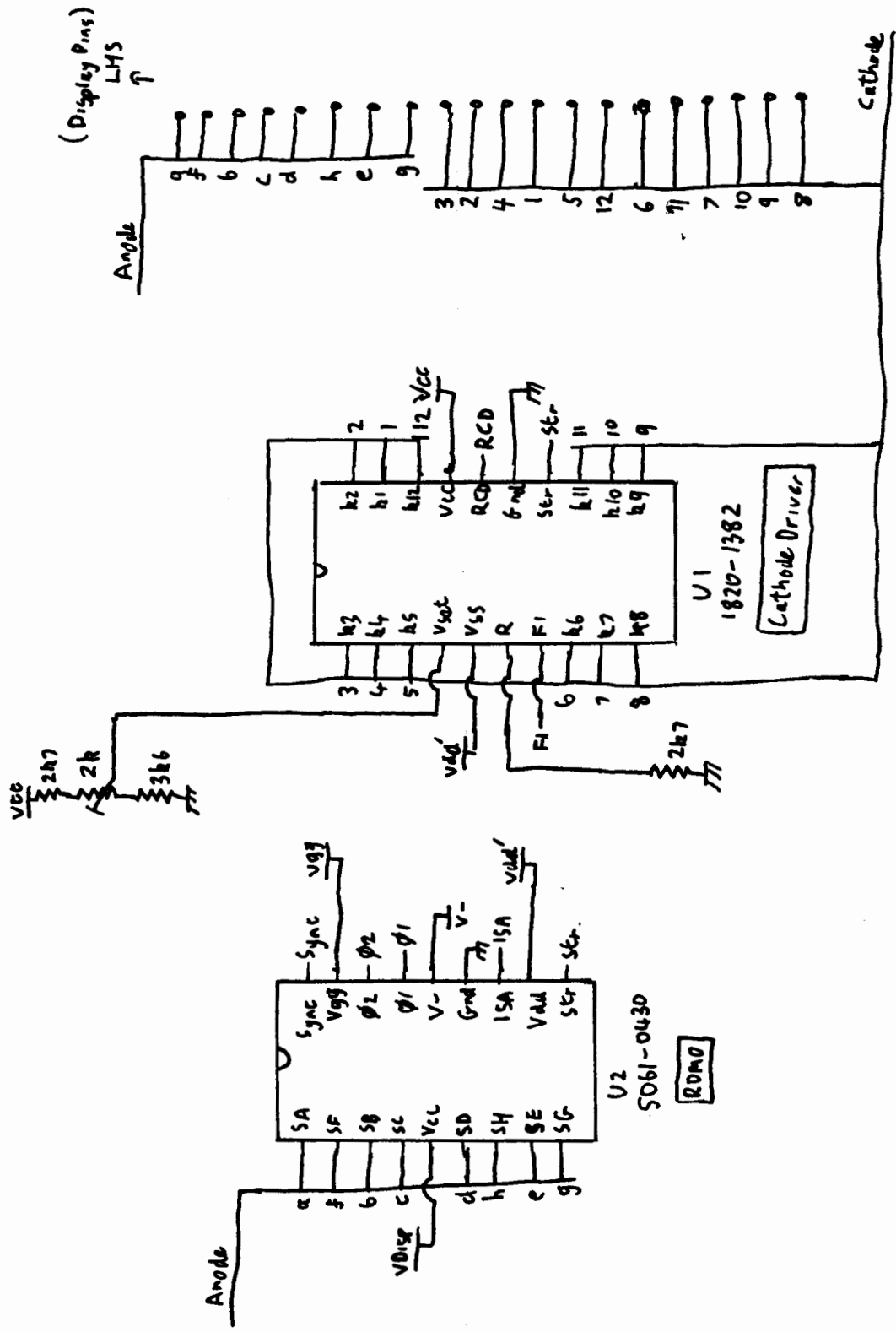


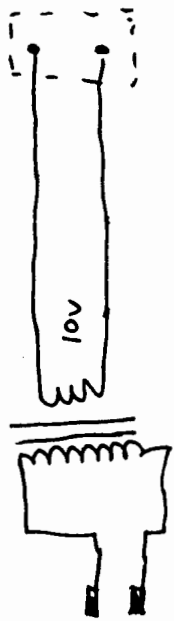
↑ LHS

- φ₁
- Sync
- ISA

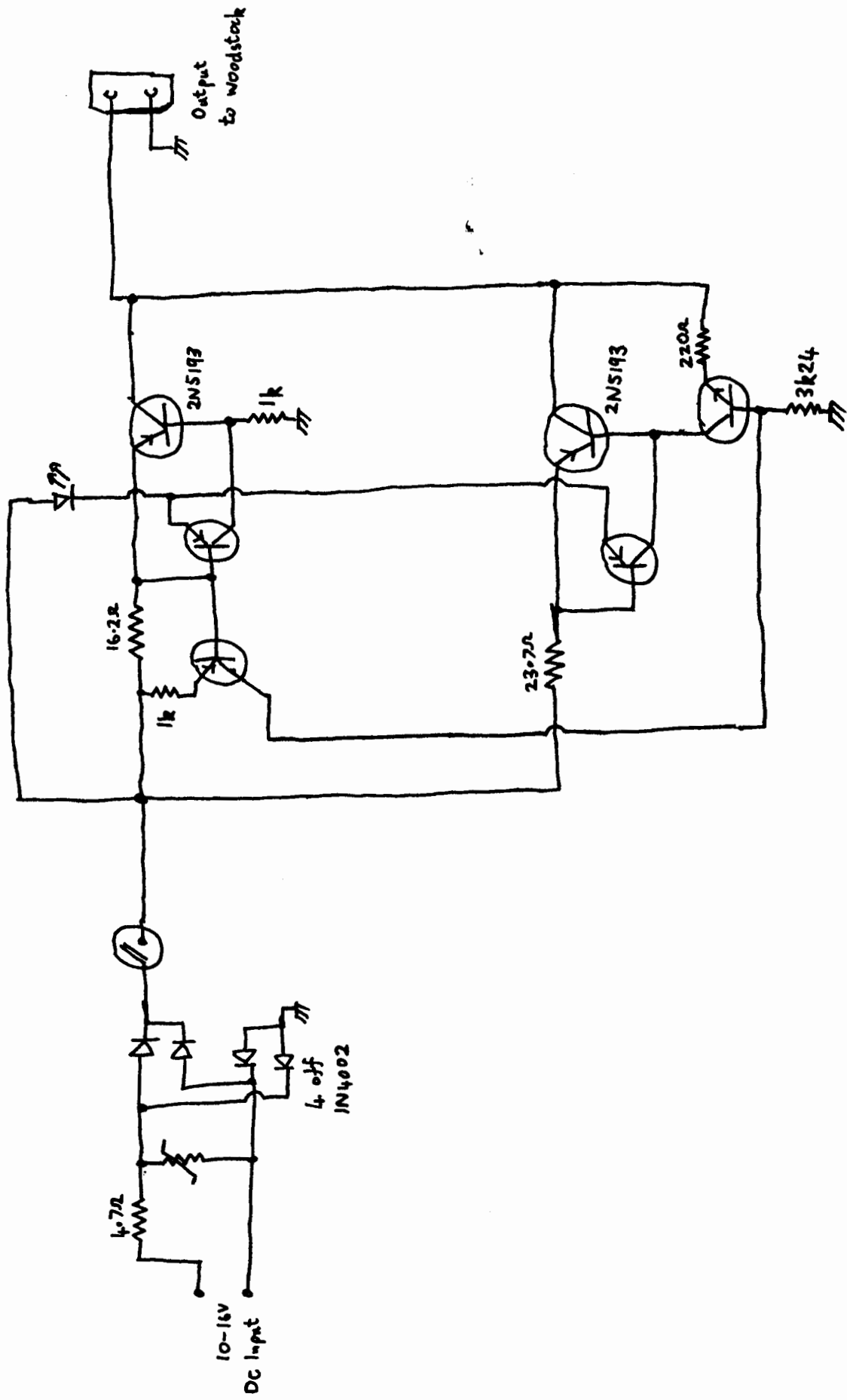
Testpoints



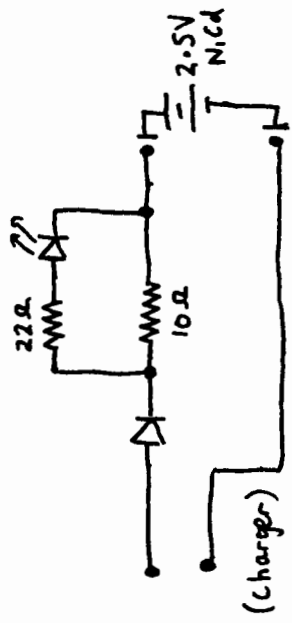




HP 92095A Woodstock Charger



82055 DC Charger



g2028-60001

HP g2028 Woodstock Reserve Power Pack