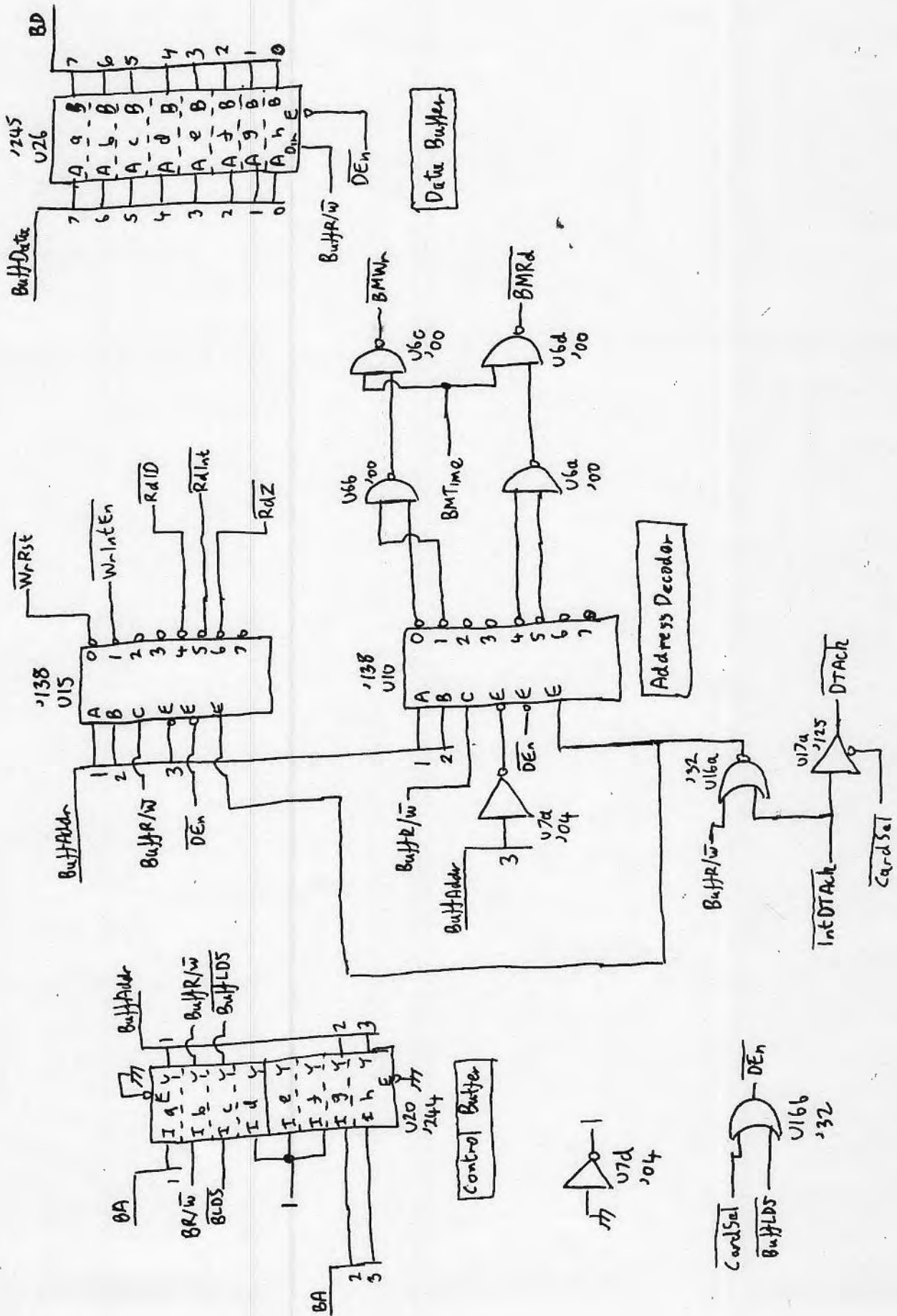


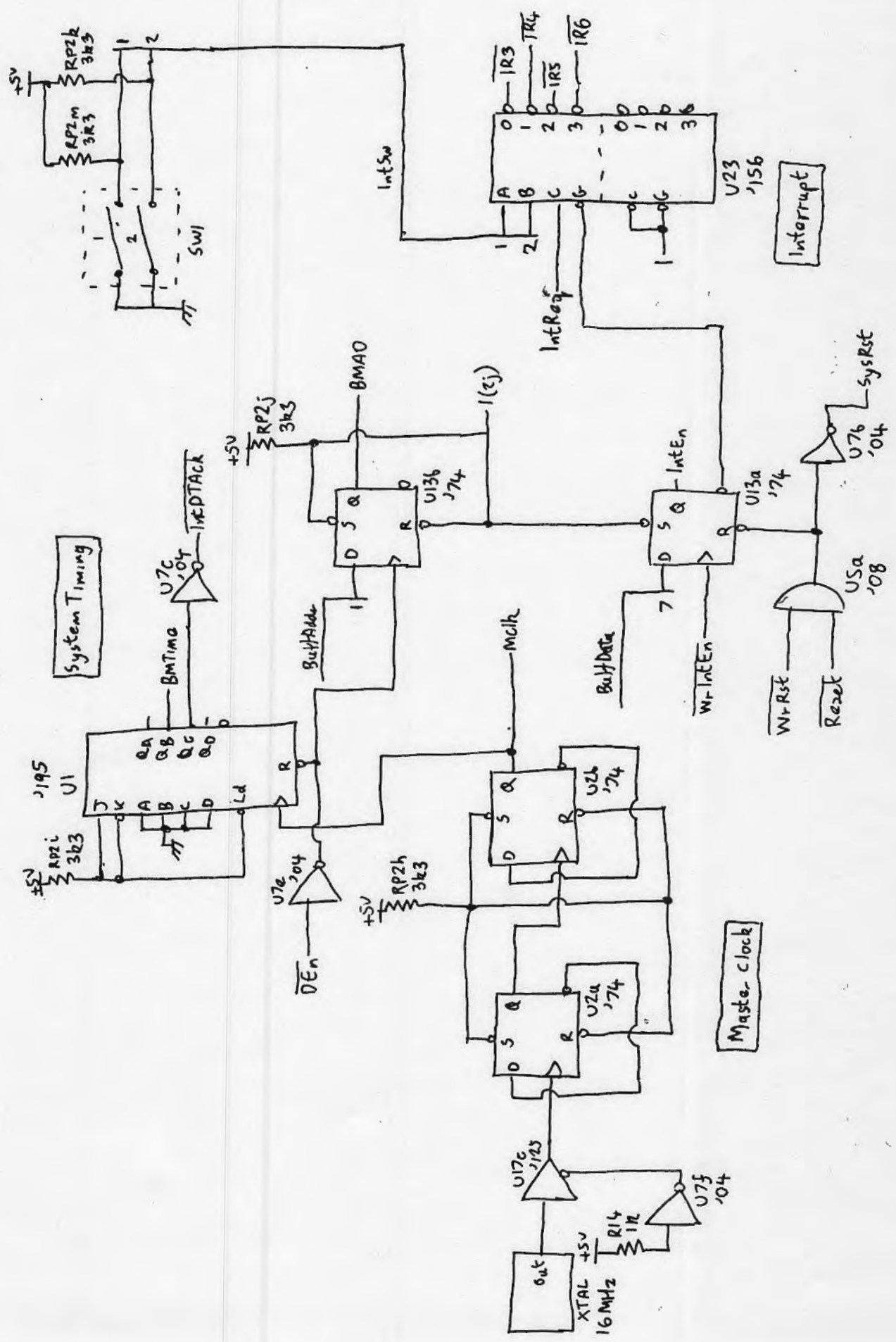
(D10 Slot)

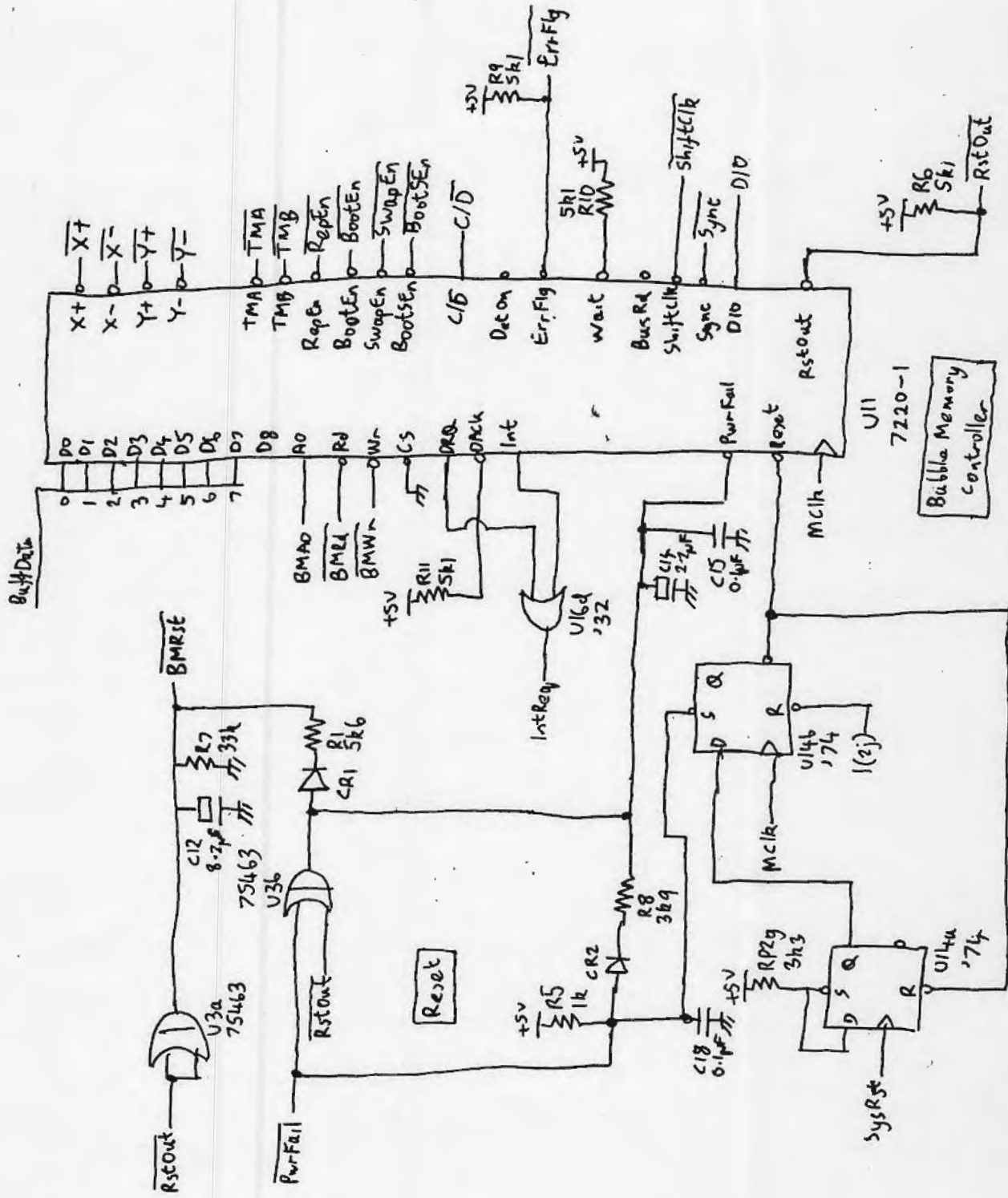
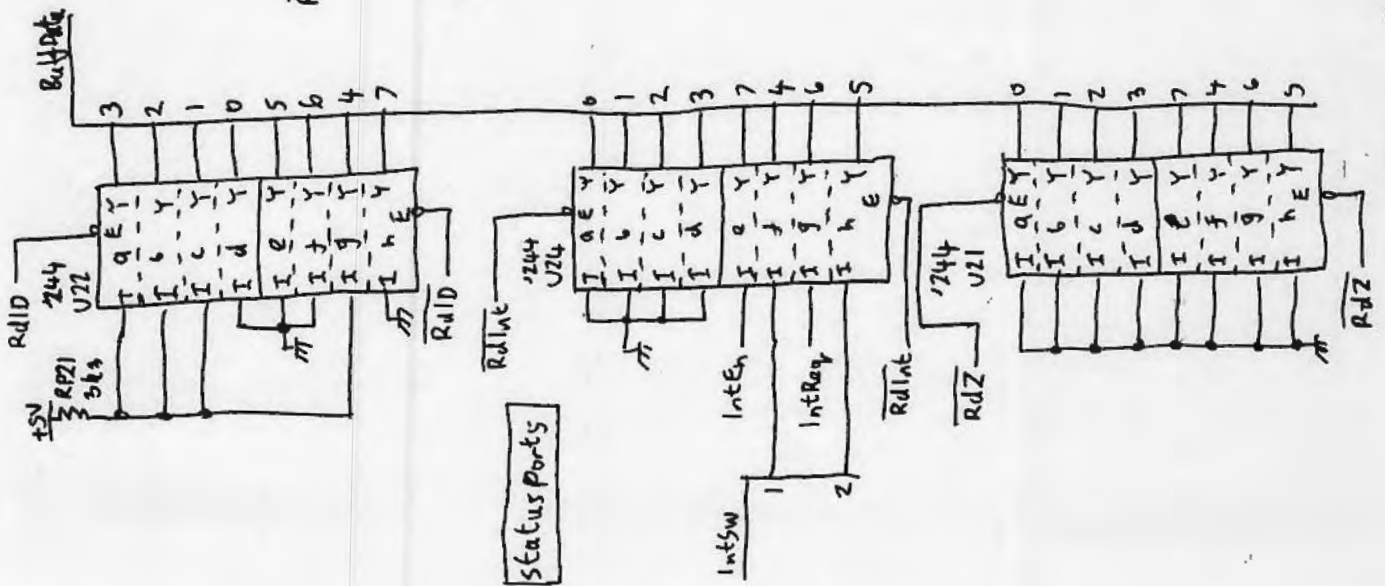


98259-66501

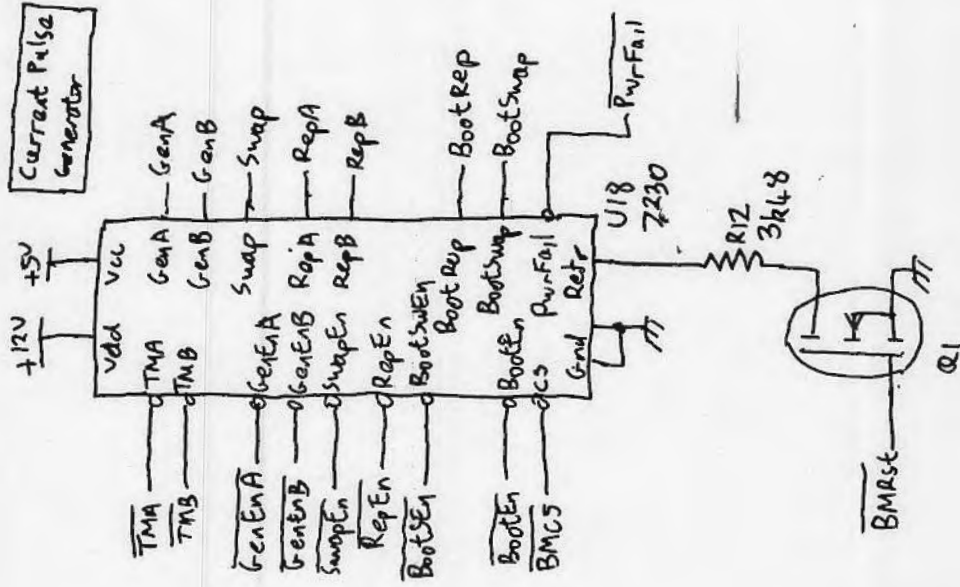
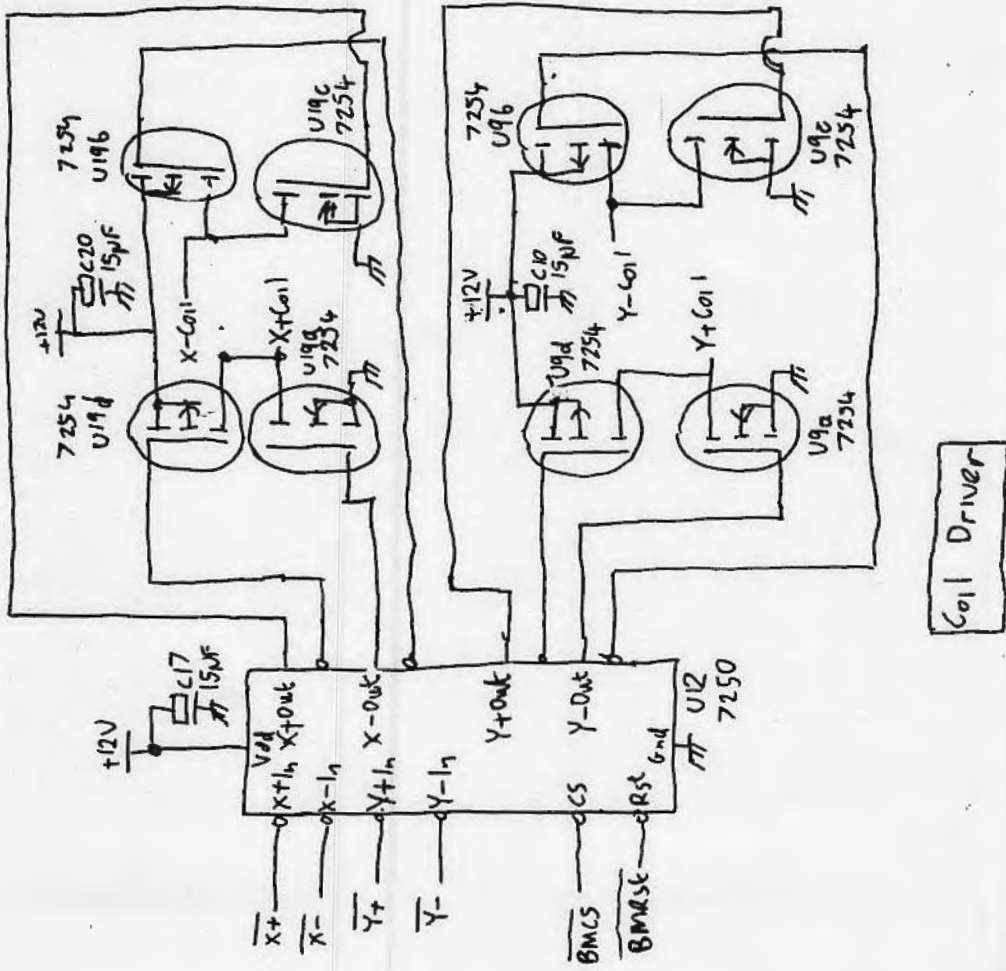
Sheet 2

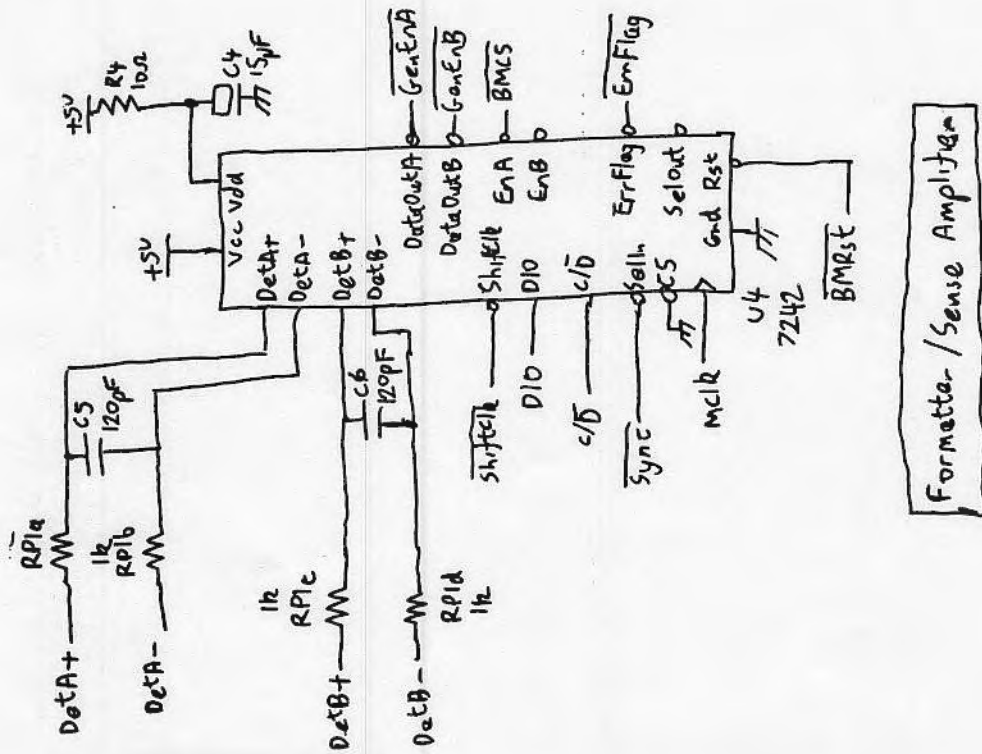
HP98259 D10 128K Bubble Memory PCB



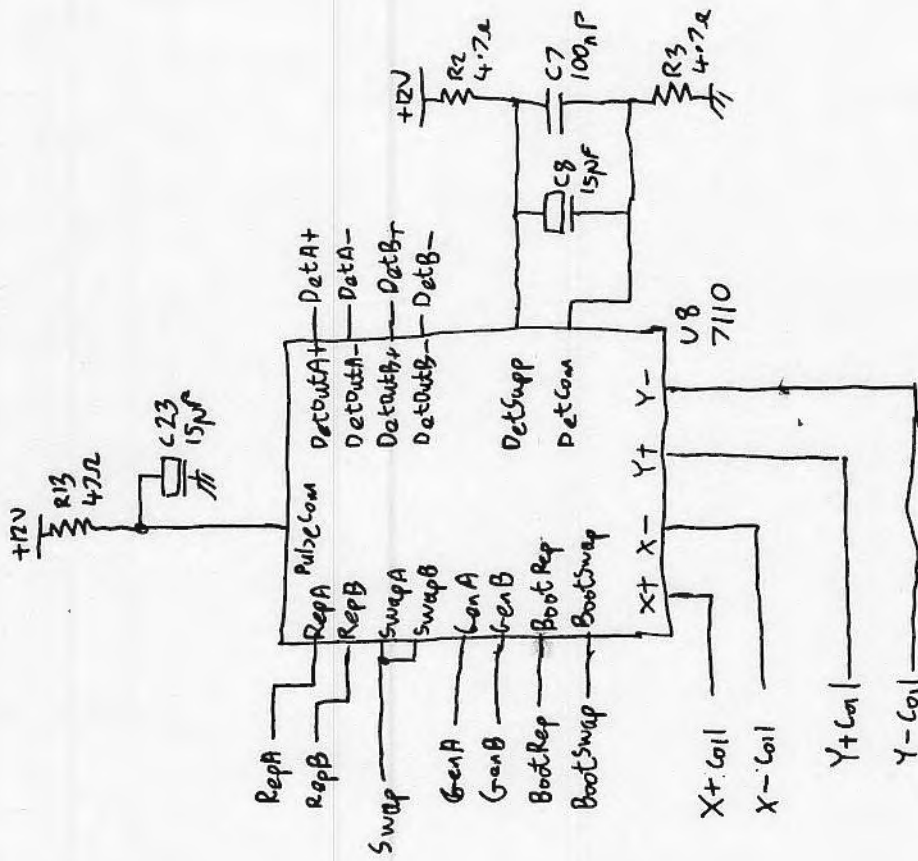


HP98259 D10 128K Bubble Memory PCB Sheet (4) 98259-66501





Formatter / Sense Amplifier



Bubble Memory