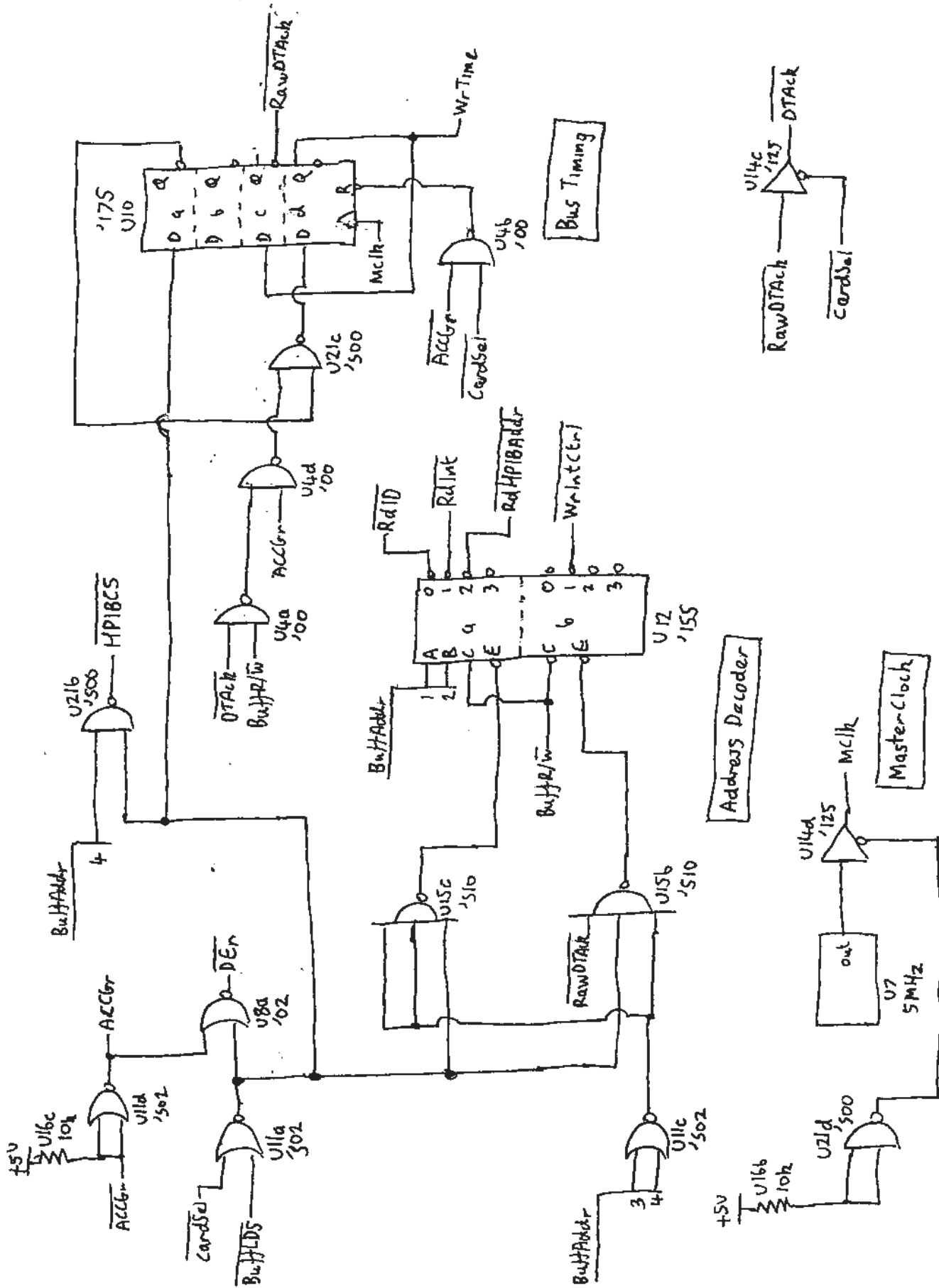
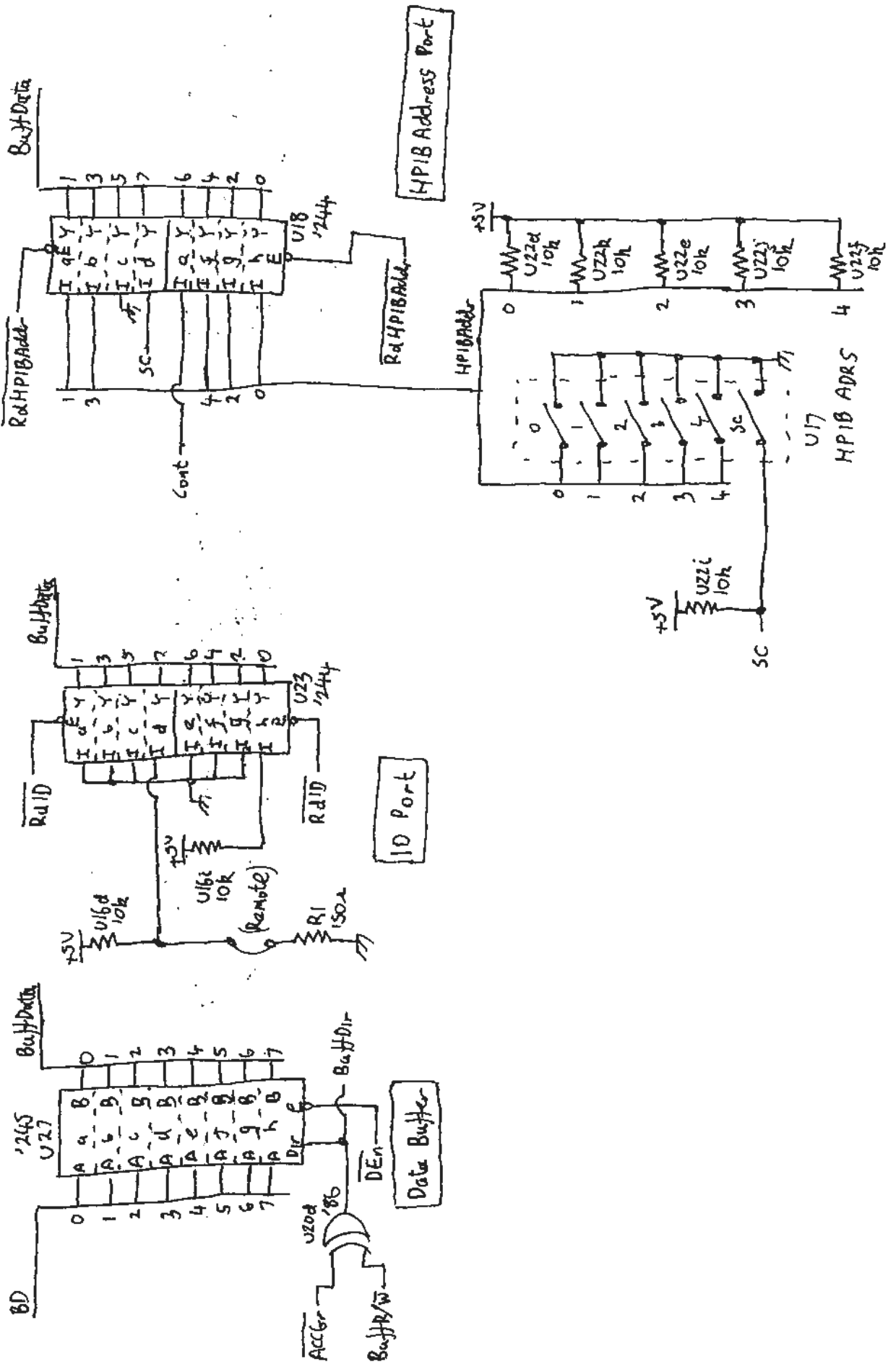


98624-66S01

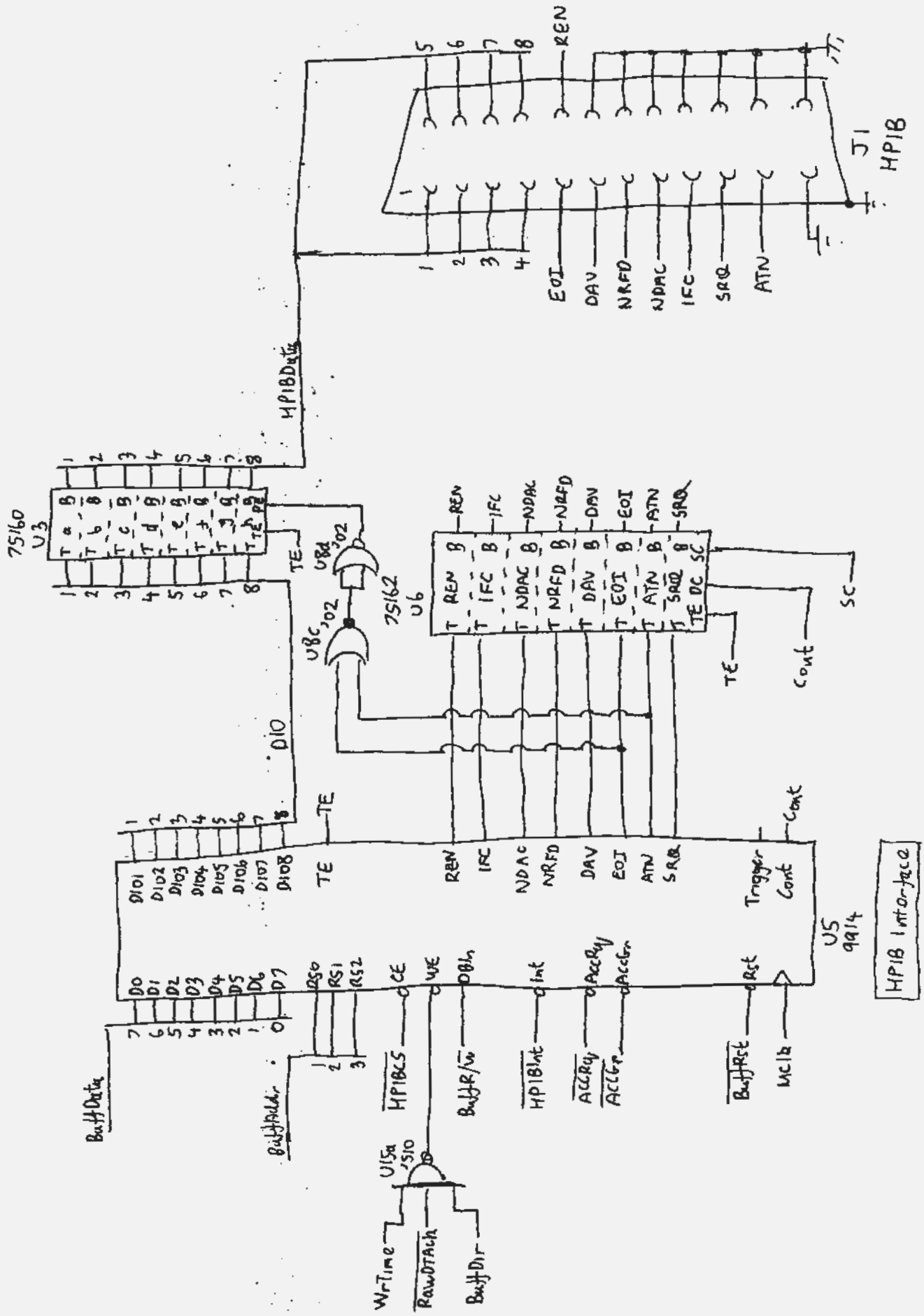
HP98624 DIO HP1B PCB sheet 1

(DIO side)









HP1B Interface