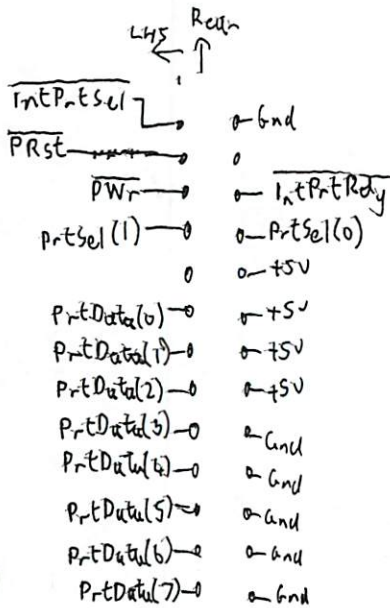
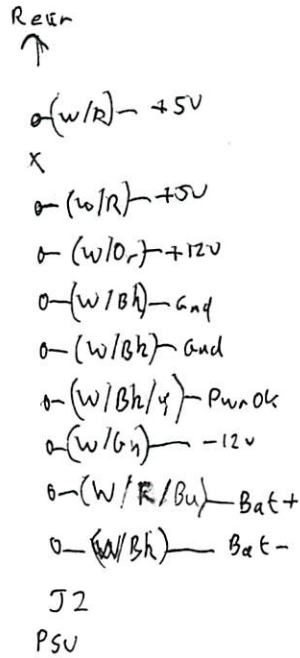


Logic PCB



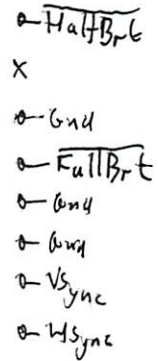
J1

Internal Printer



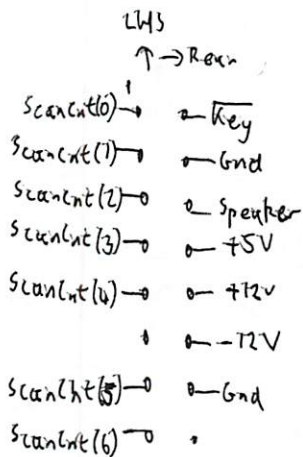
J2

PSU



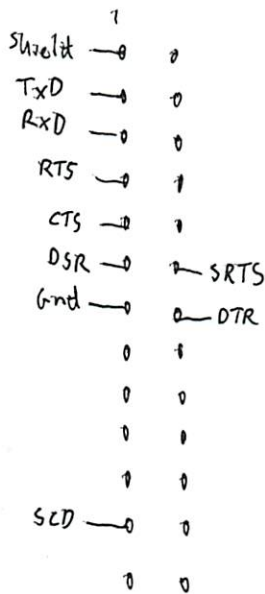
J3

Monitor



J4

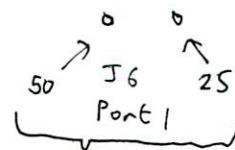
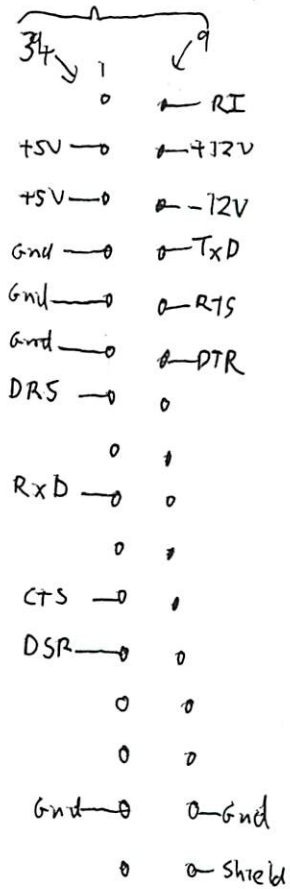
Keyboard



J5

Port2

Microribbon Pins

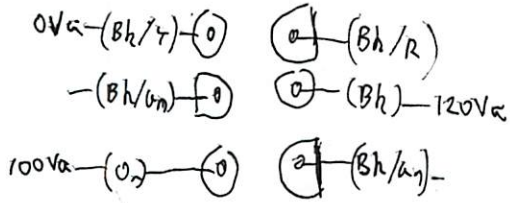


Microribbon Pins

HP2623

PSU PCB

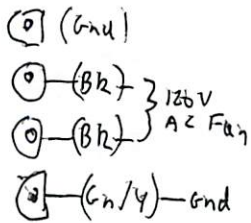
Top
↑
J1 → LHS



Bottom
↑
J2 → RHS

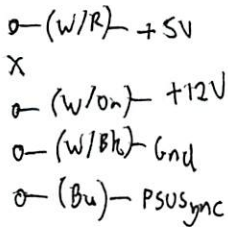
Transformer
Primary

LHS
↑



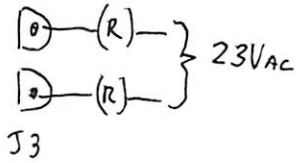
J4
Fan

Top
↑



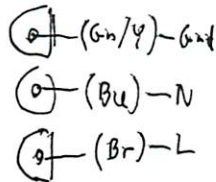
J6
Monitor
Power

Top
↑

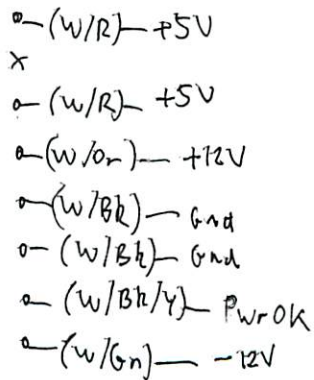


J3
Transformer
Secondary

LHS
↑



J5
Mains In



J7
Logic
Power

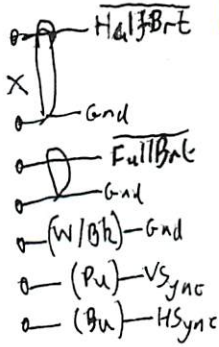
HP2623

Monitor PCB

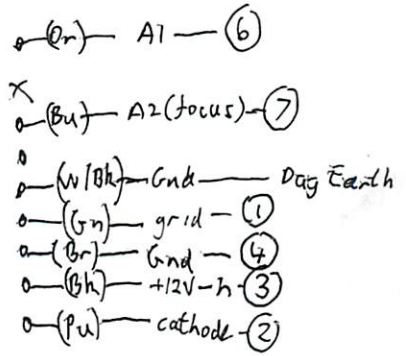
Top
↑

- (w/R) - +5V
- X
- (w/vn) - +12V
- (w/Bk) - Gnd
- (Bu) - PSWSync

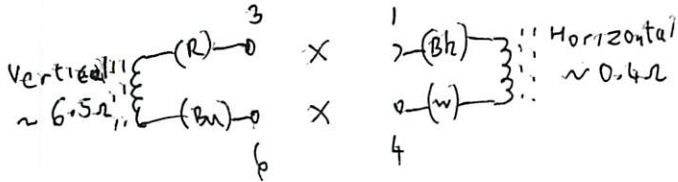
J1
(Power)



J2
(Logic)

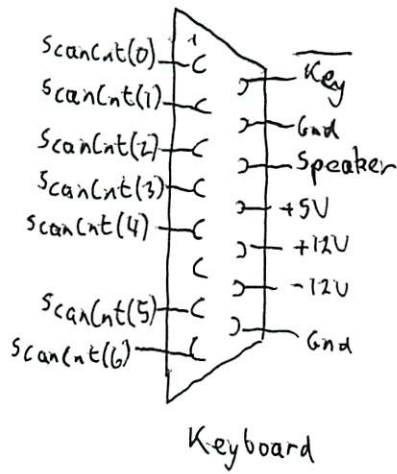
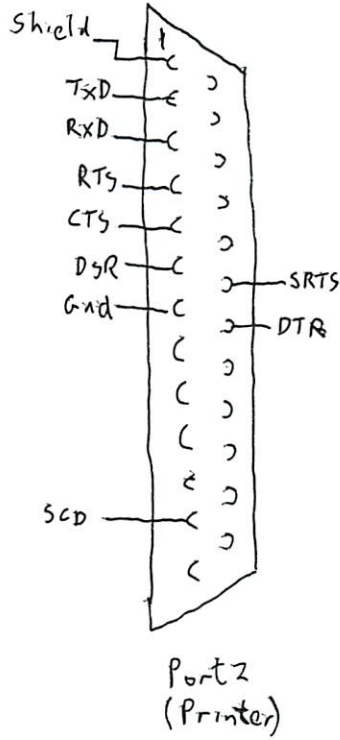
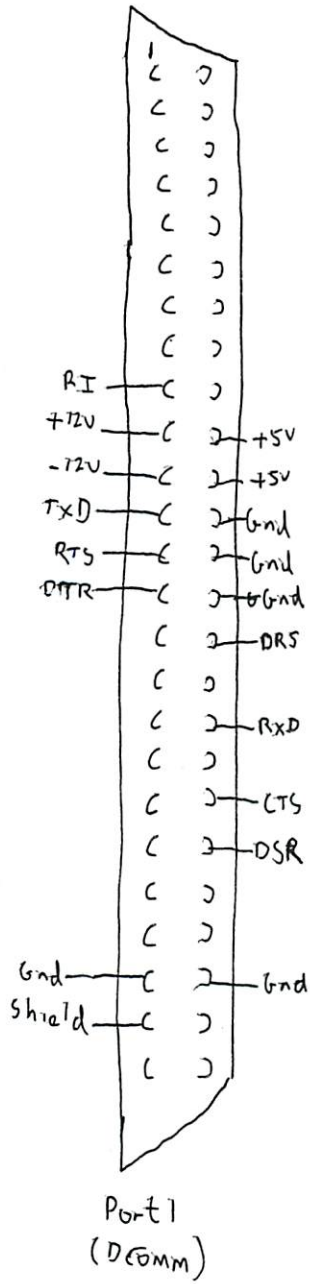


J3
(CRT)

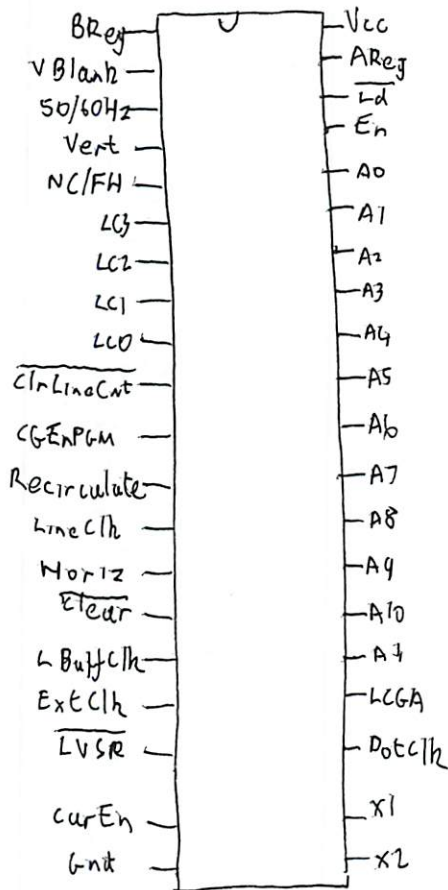


J4
(Yoke)

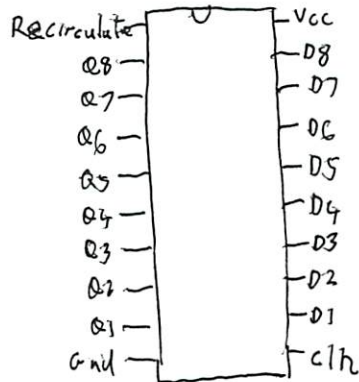
HP2623 External Connectors



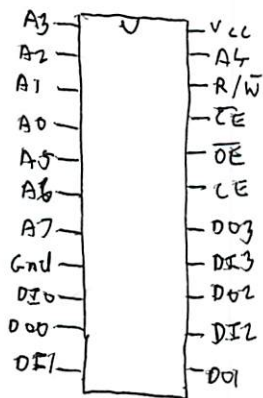
HP2623



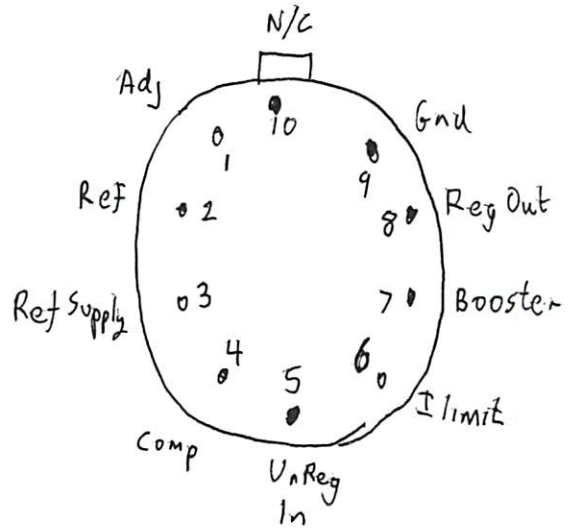
1820-2961
(Programmed DP8350)
Video Controller



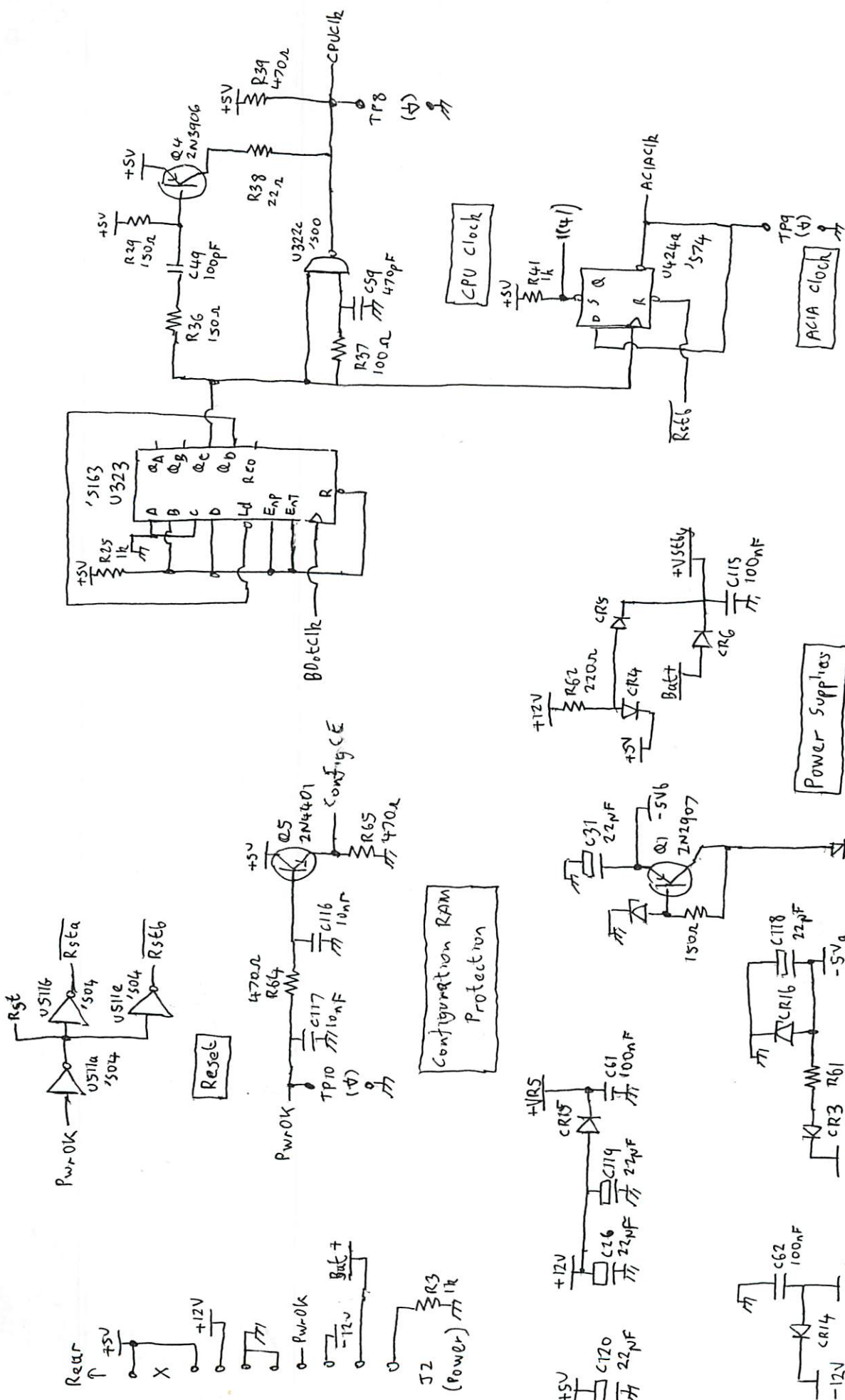
MM5035
1820-2416
8-bit 80 bits
Shift Register

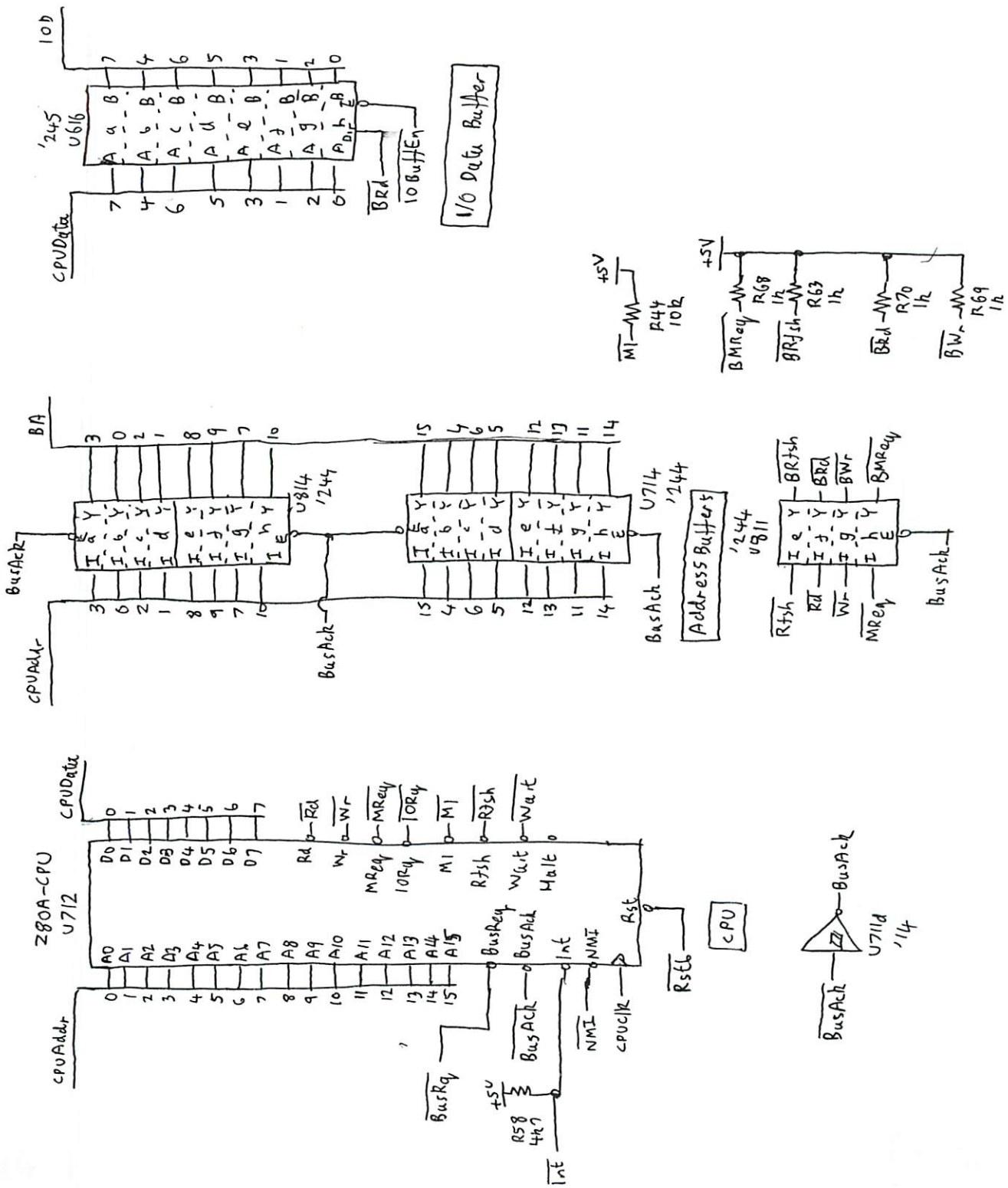


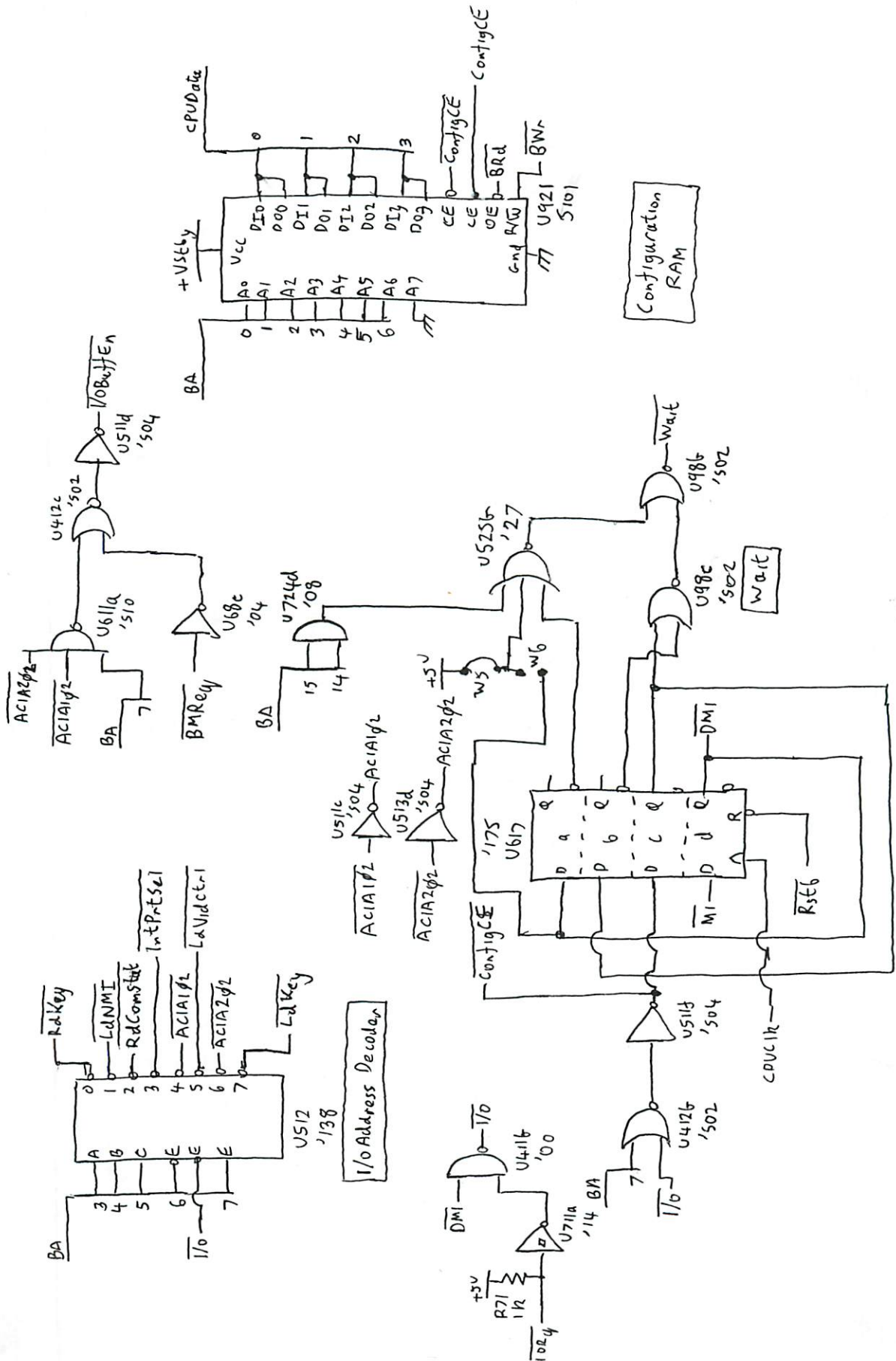
5101
1818-0693
256x4 CMOS
RAM

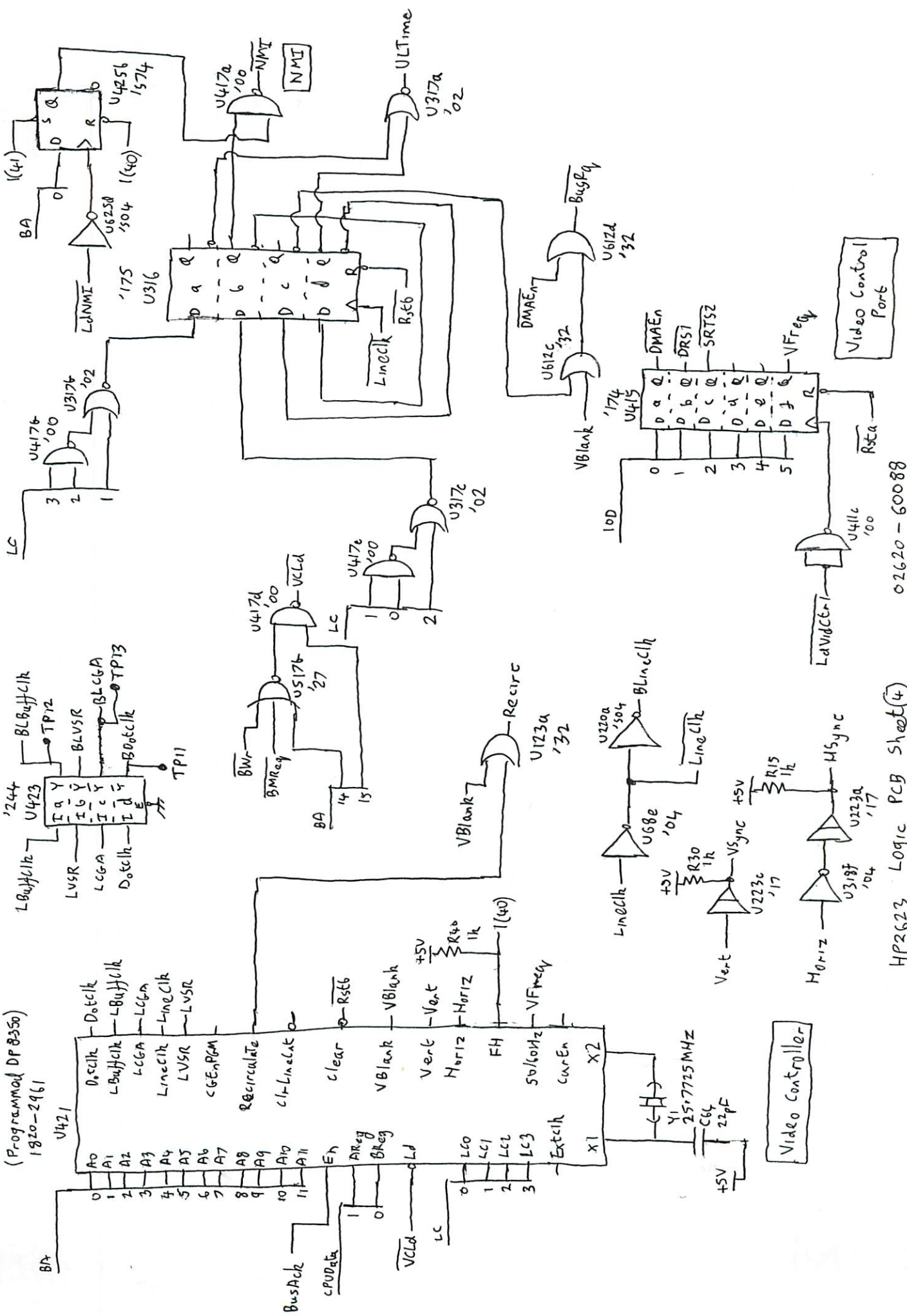


LM304 -VE Regulator



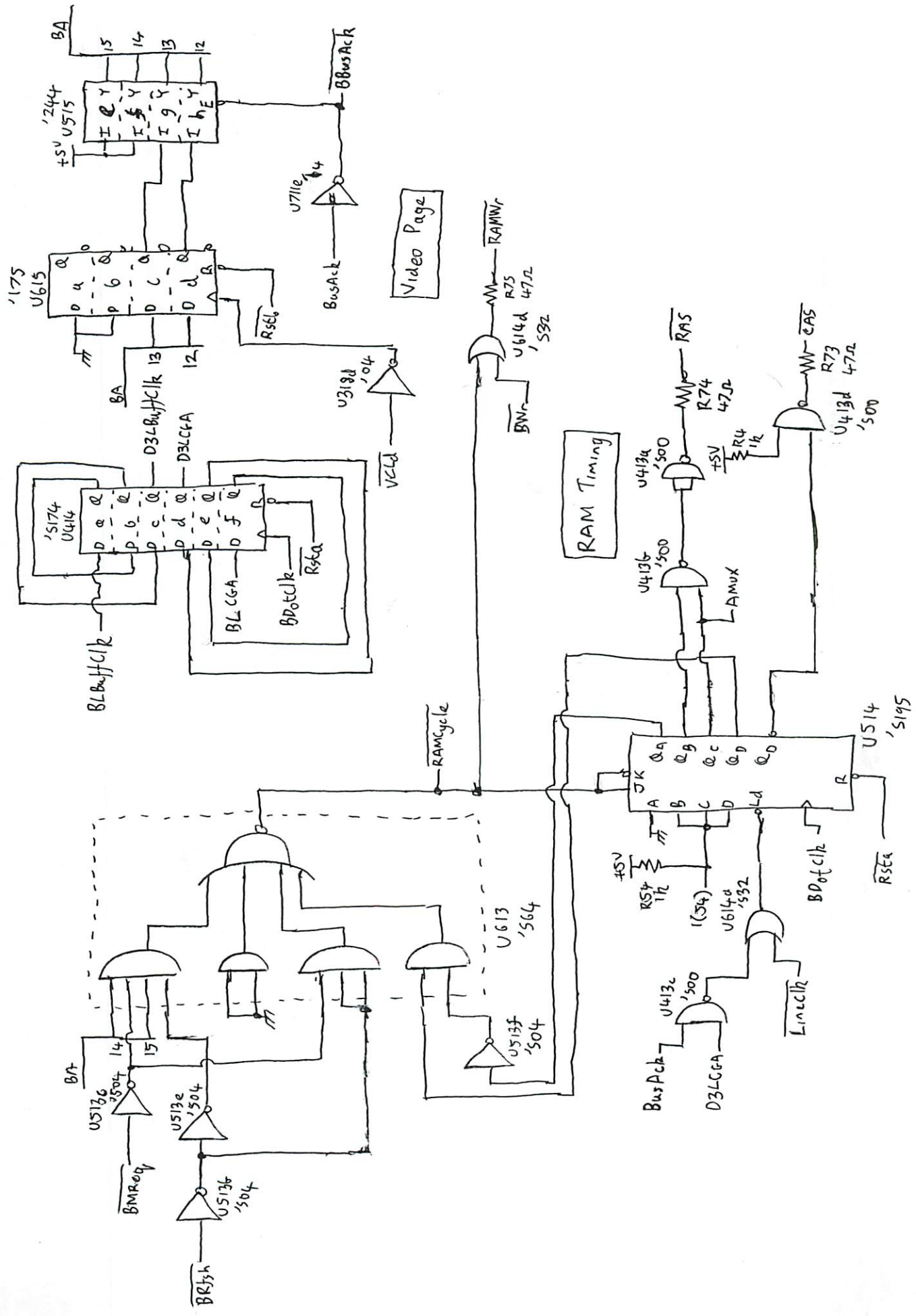


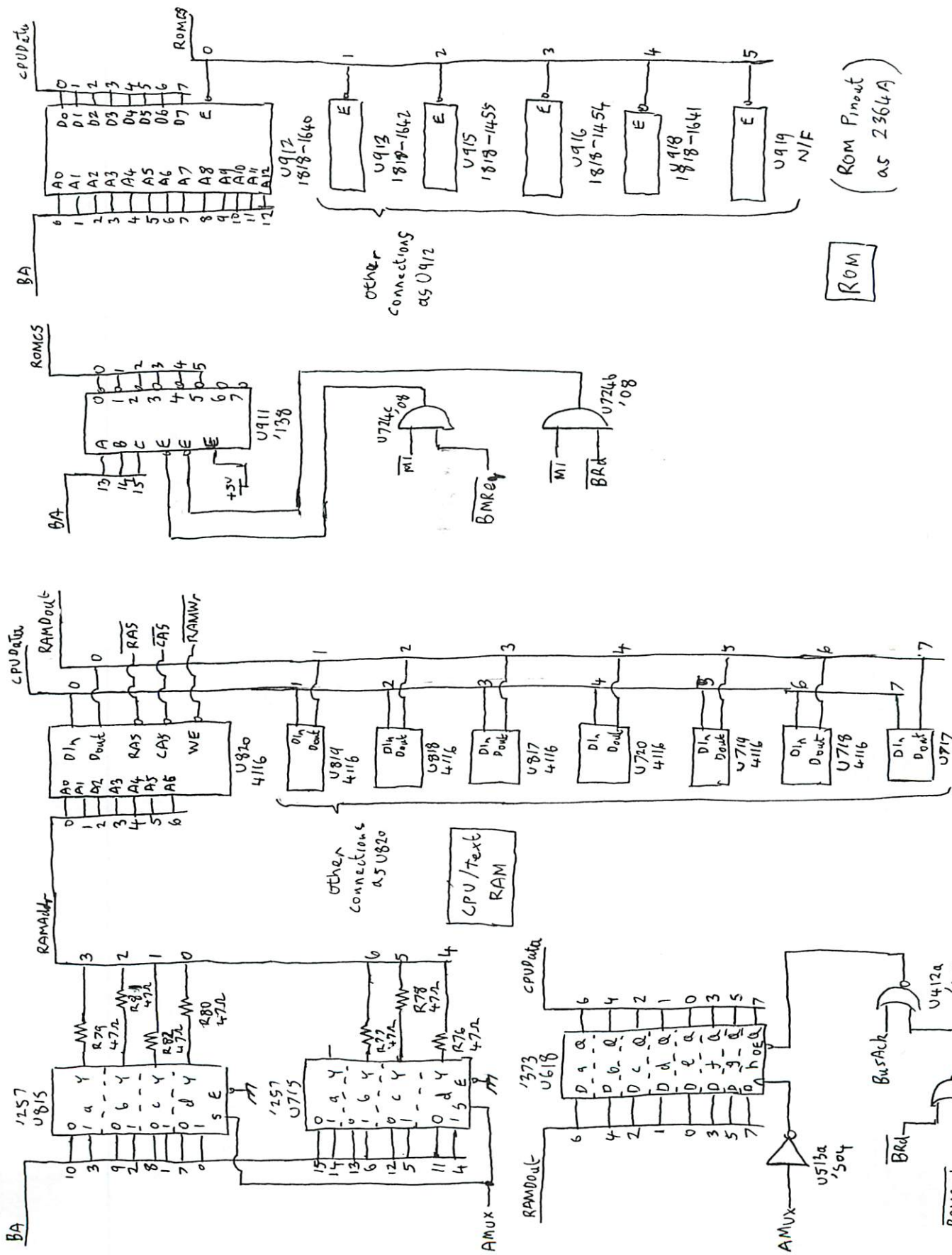


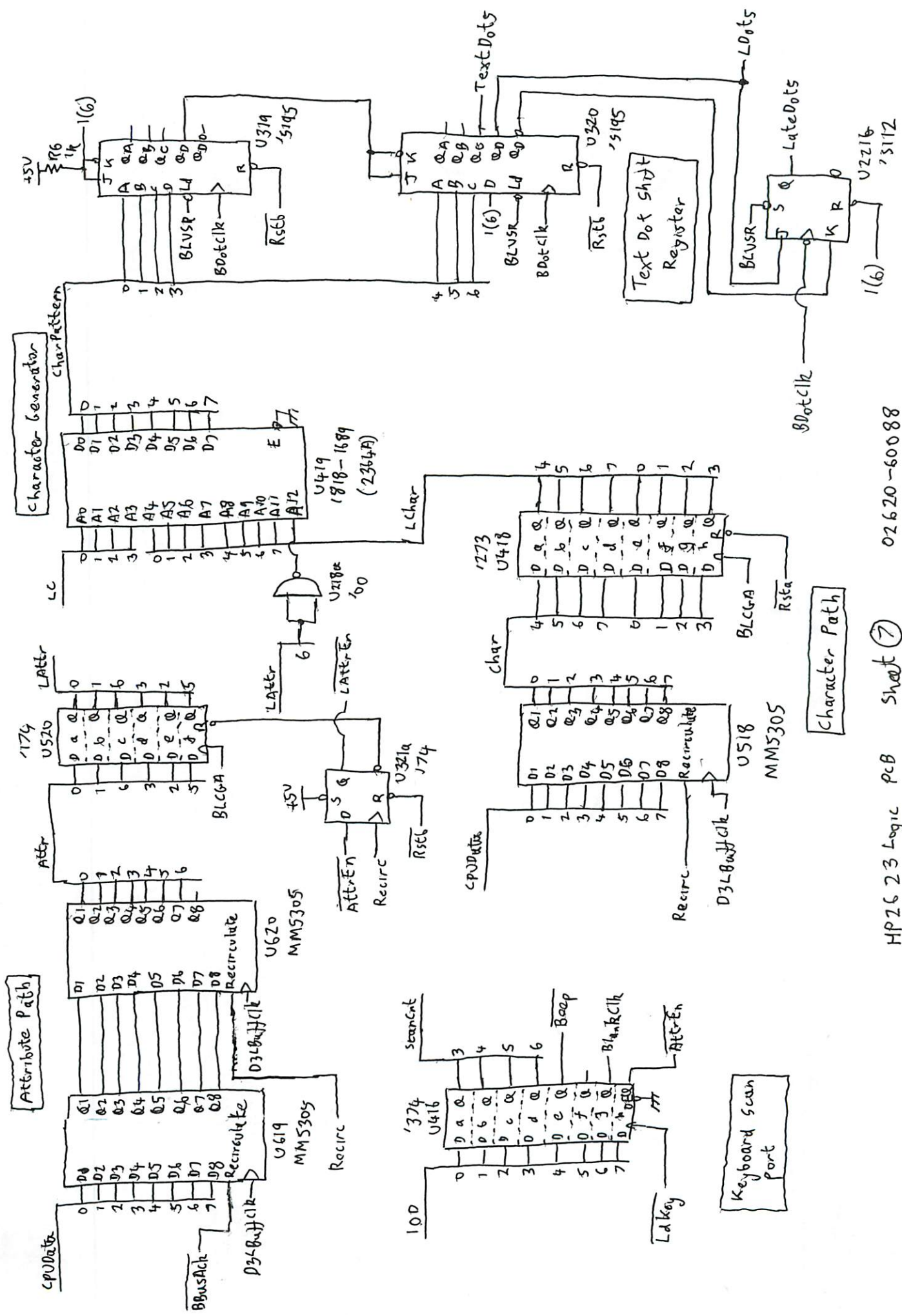


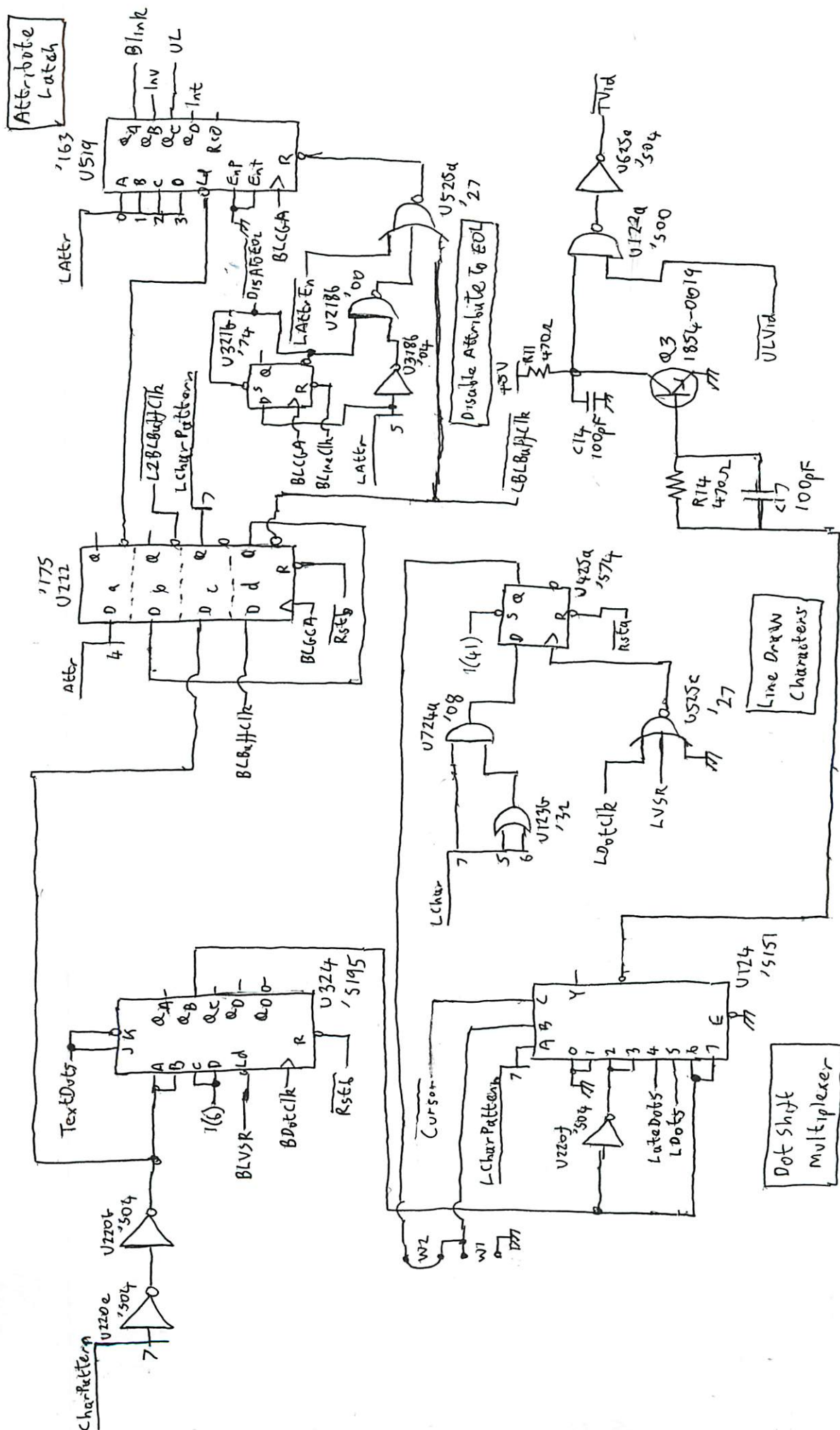
02620 - 60088

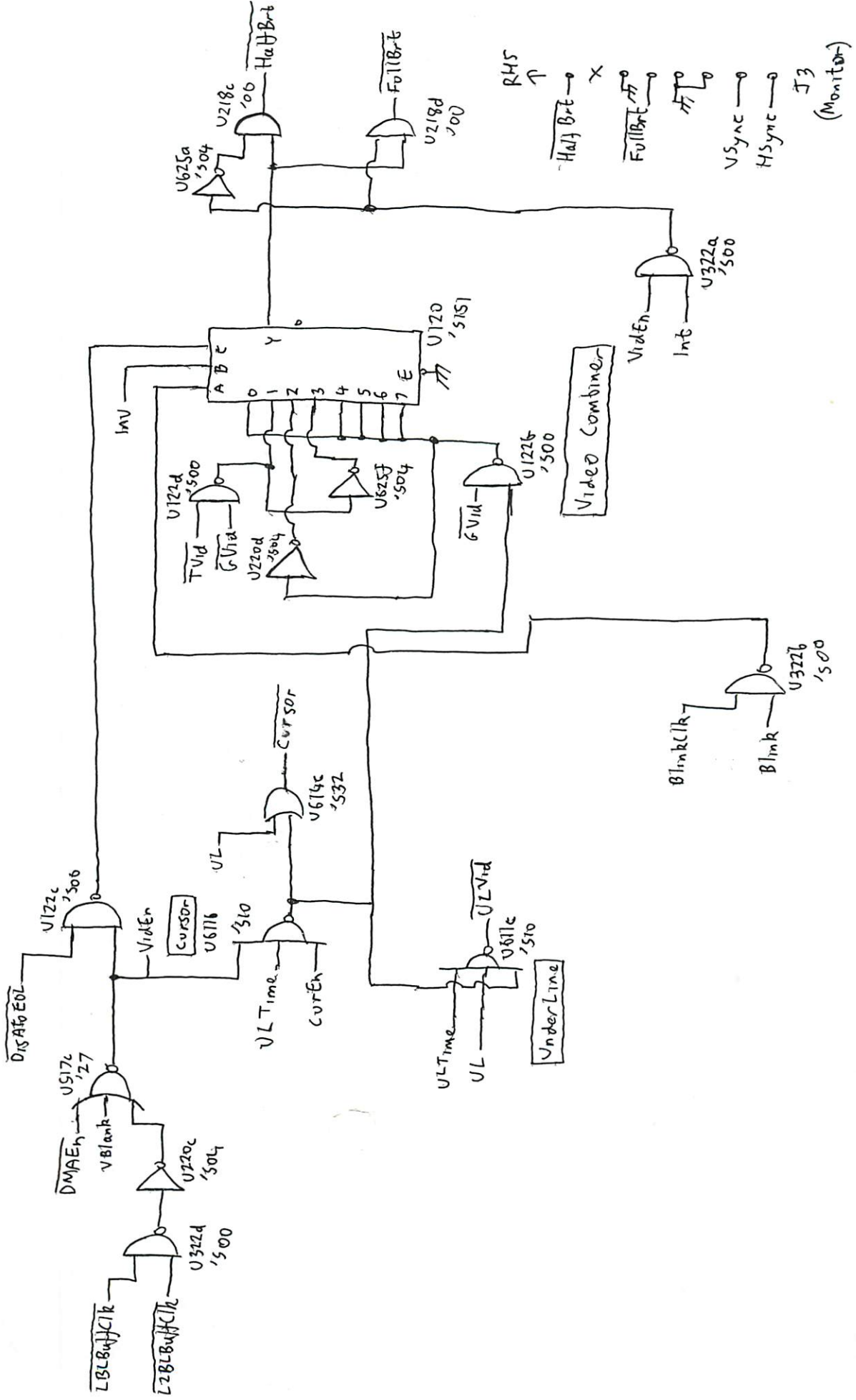
HP2623 Logic PCB Sheet (4)

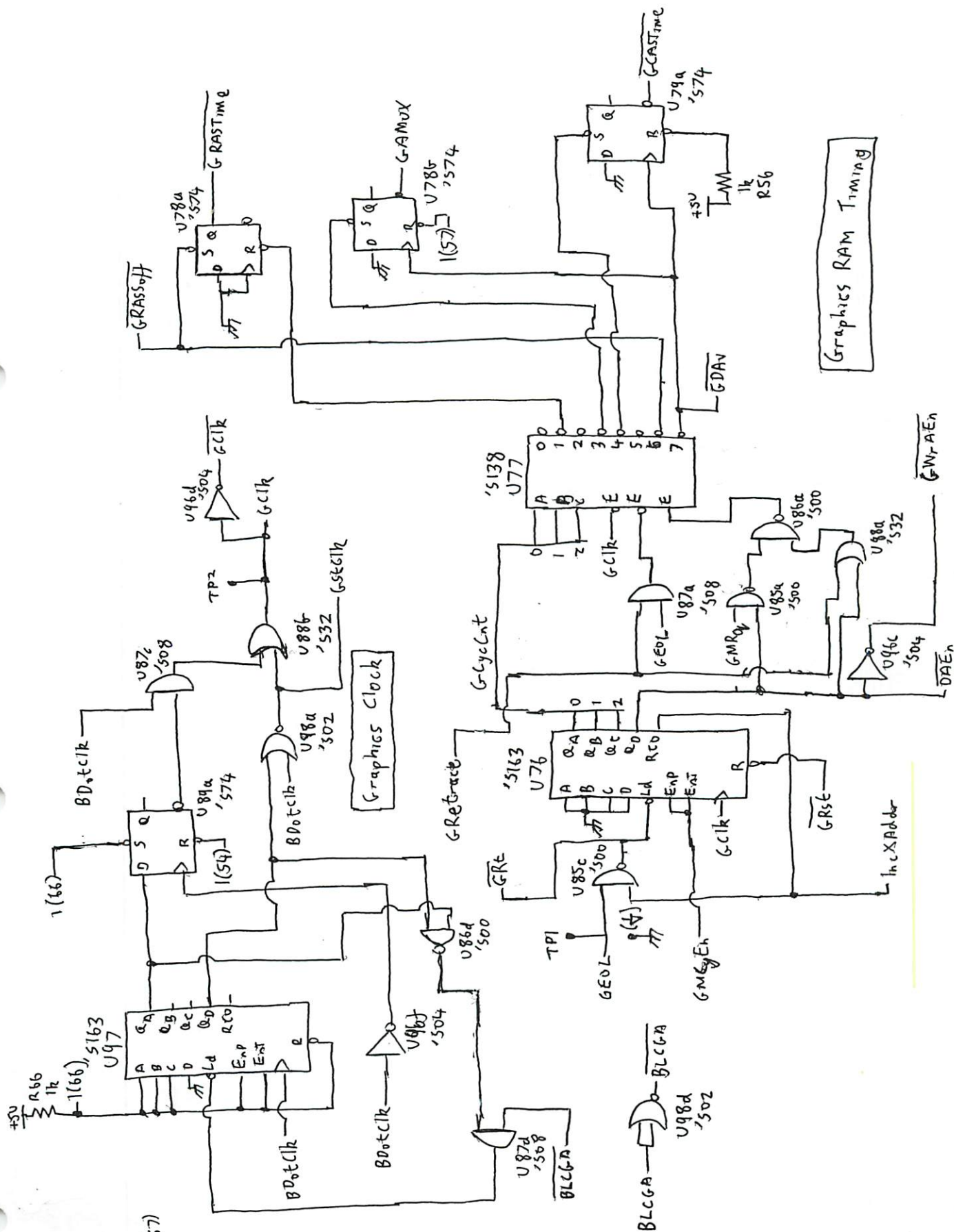


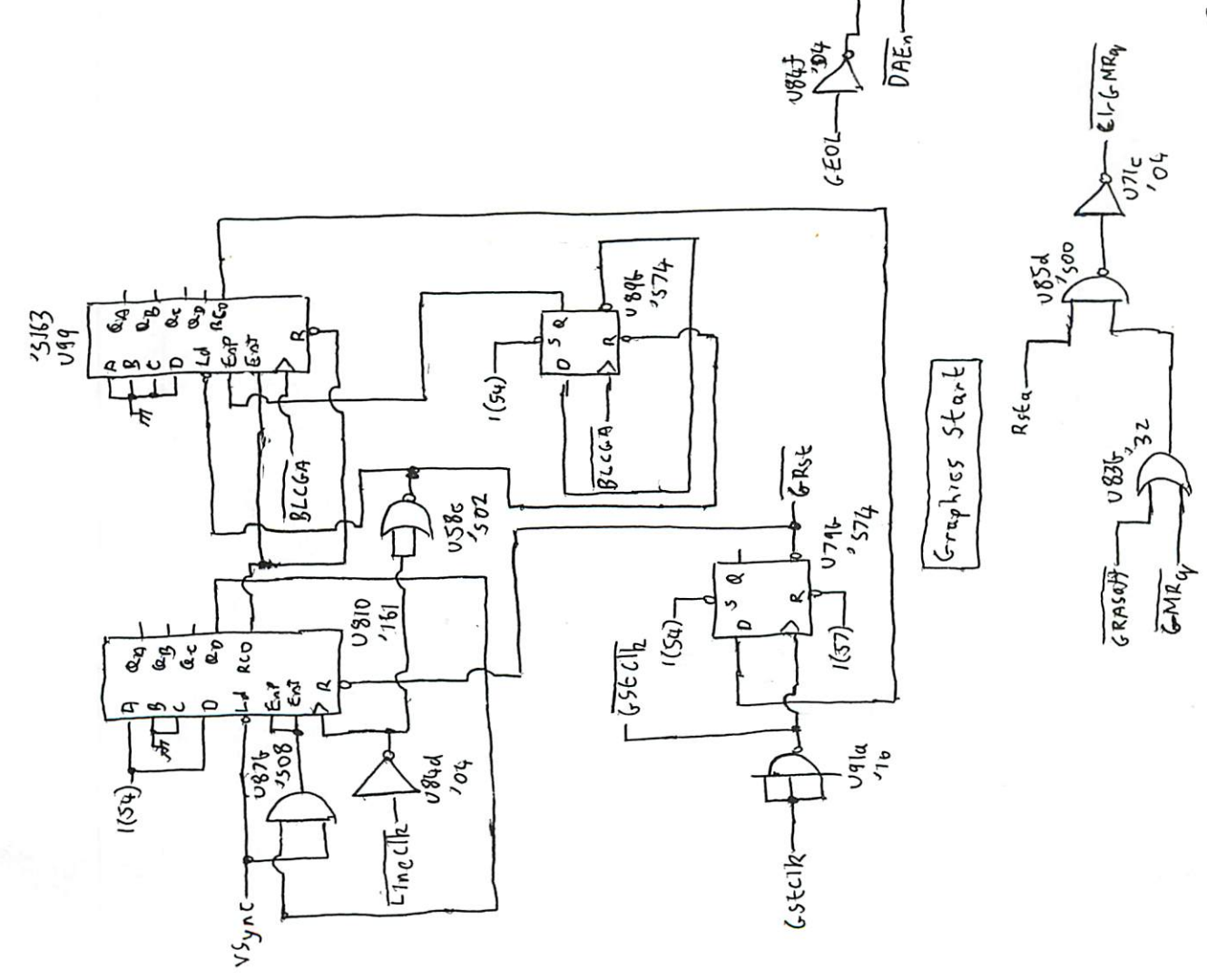
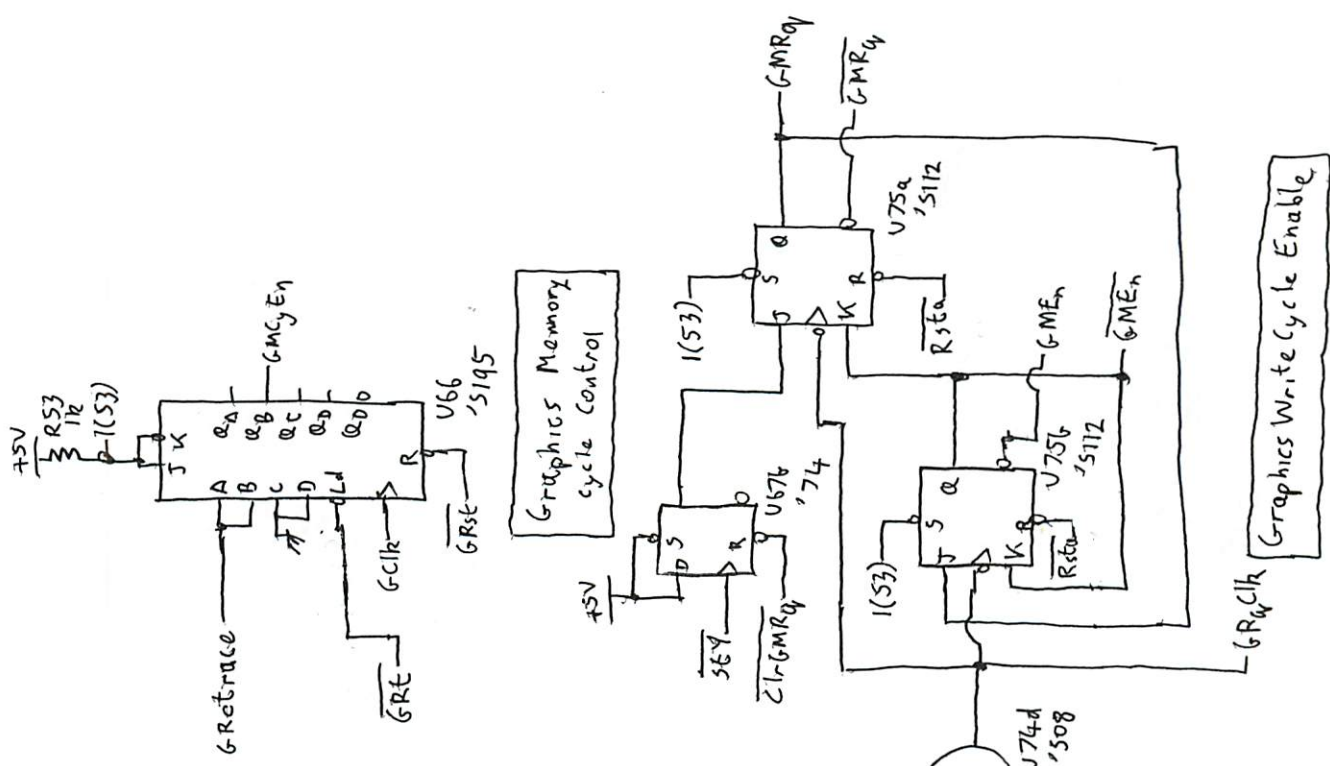








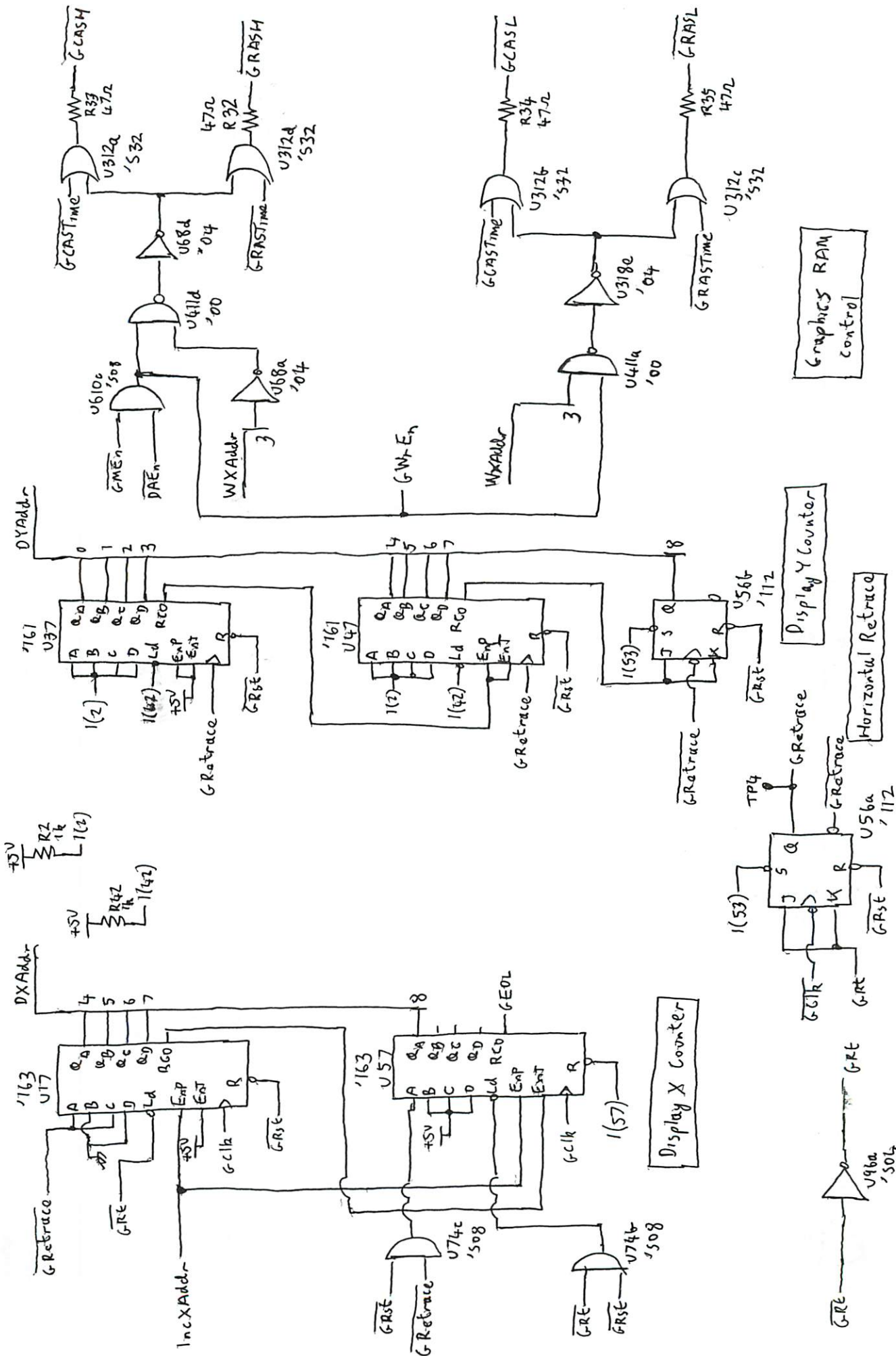




Graphics Memory cycle Control

Graphics Start

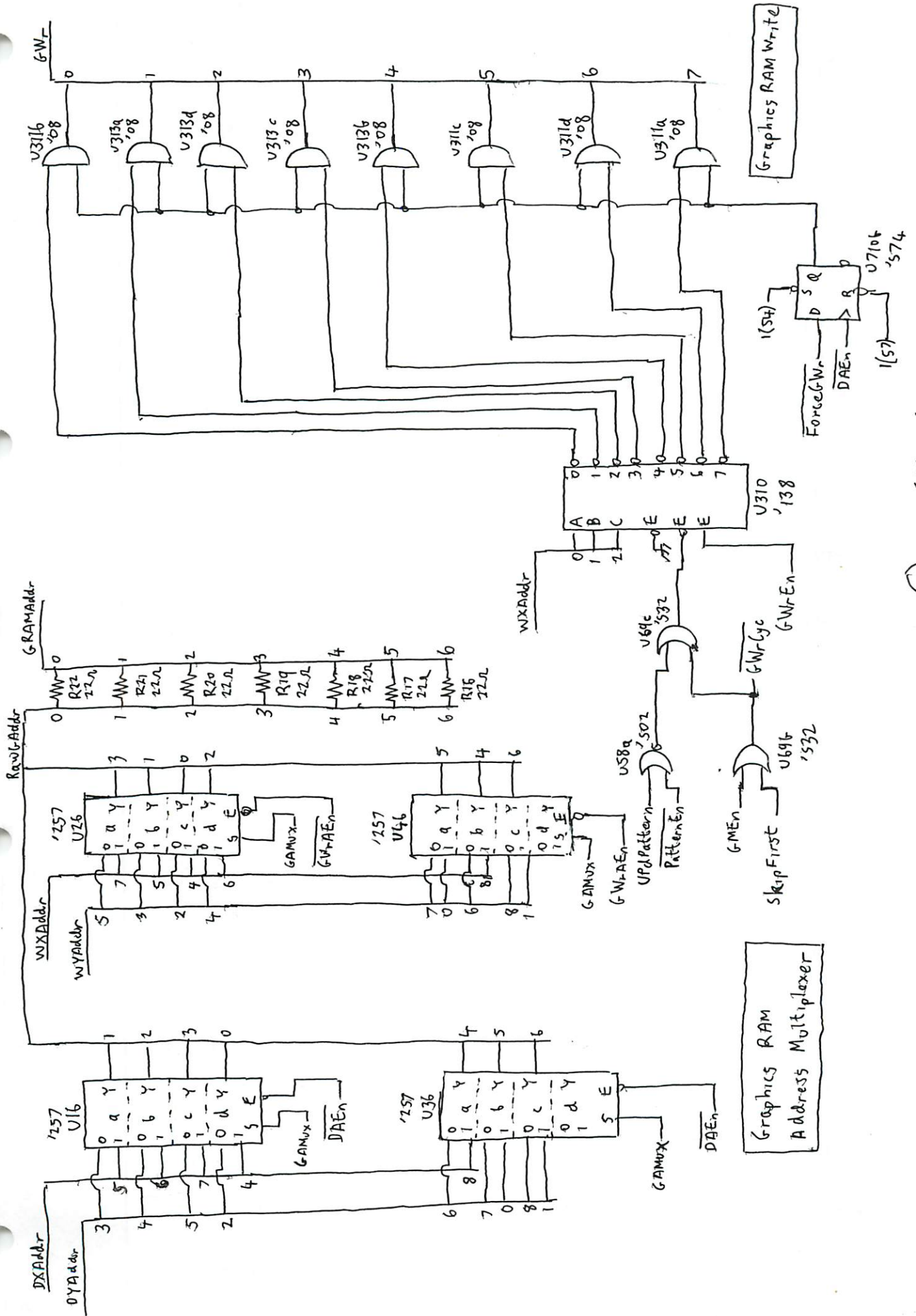
Graphics Write Cycle Enable

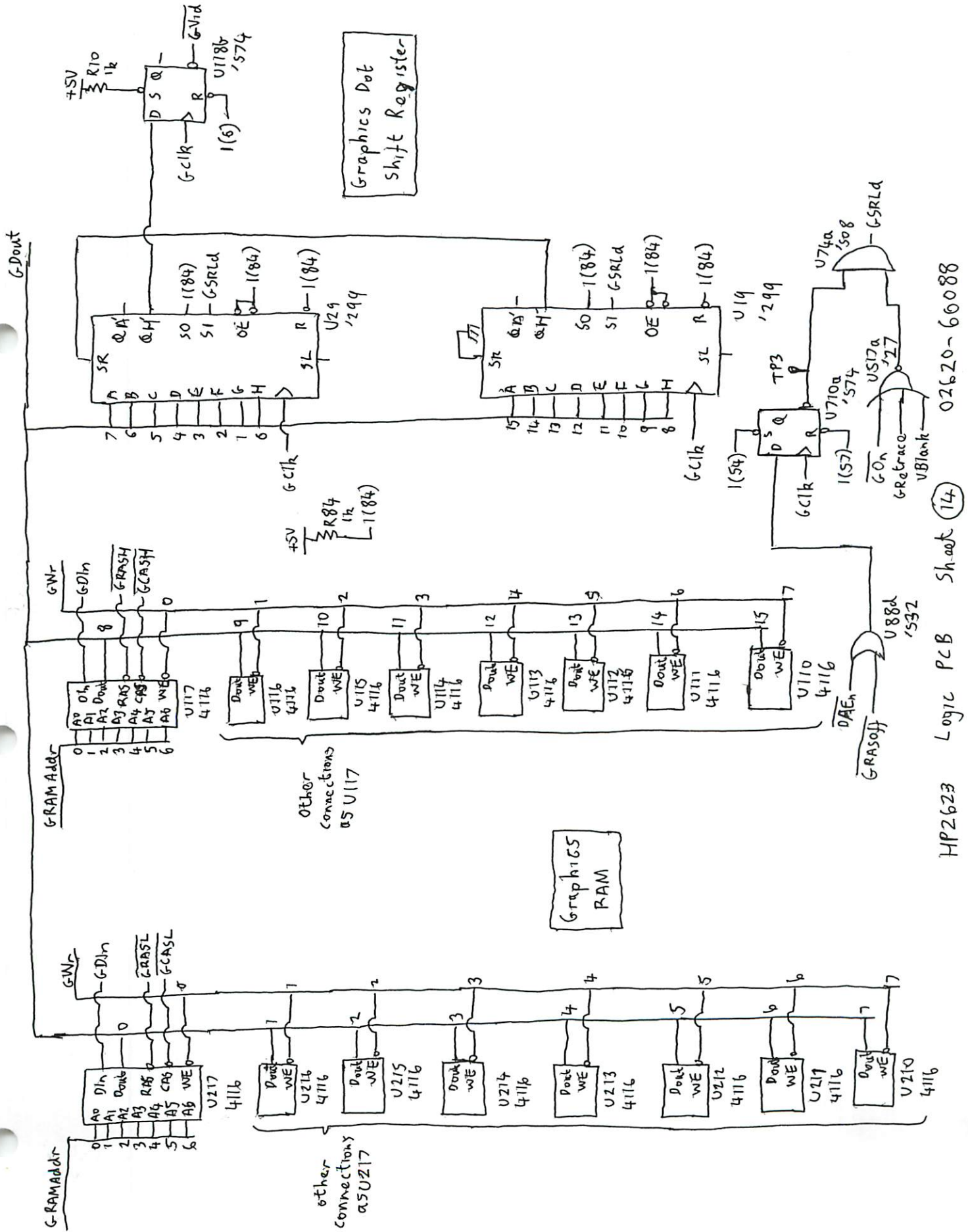


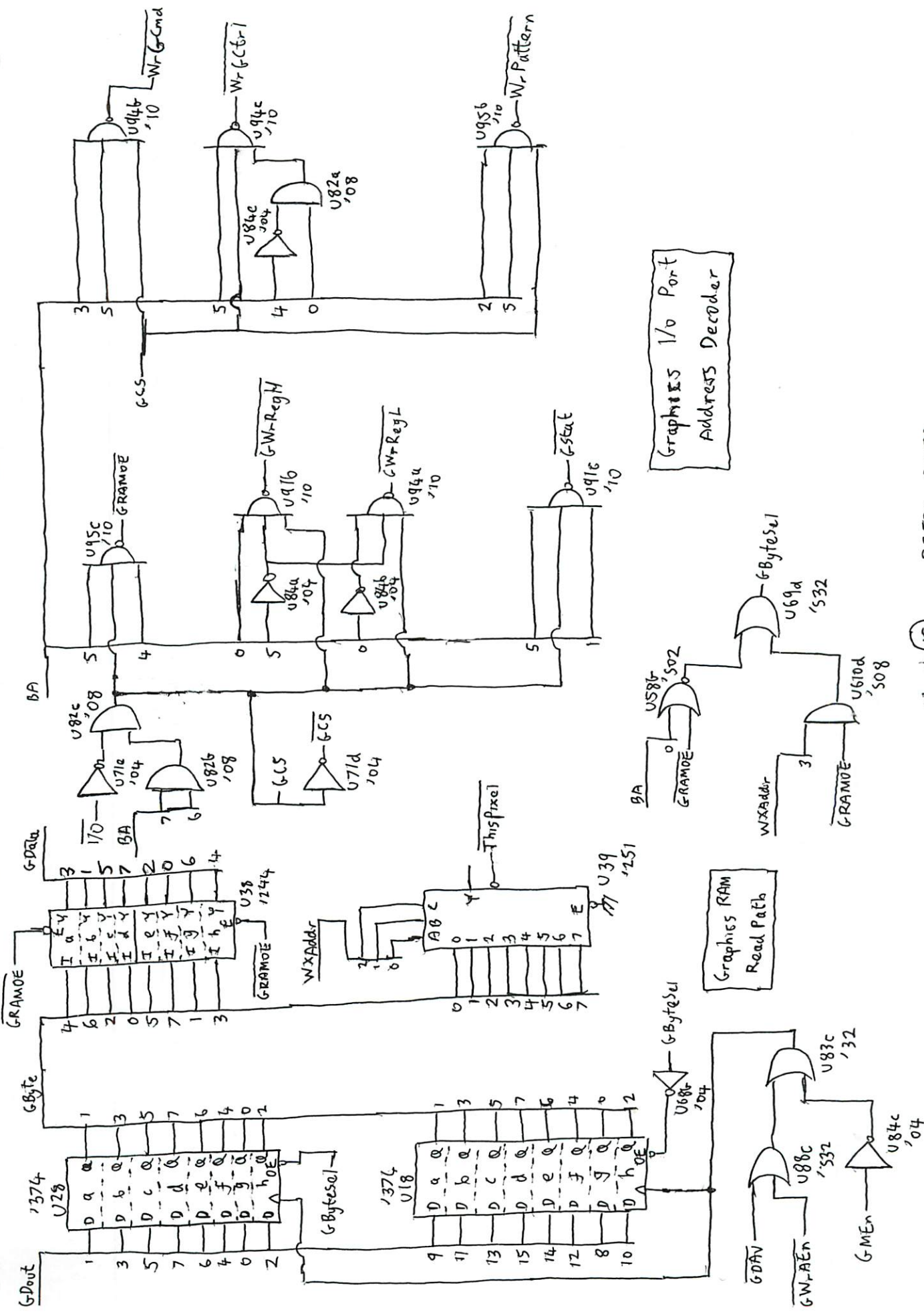
02620 - 60088

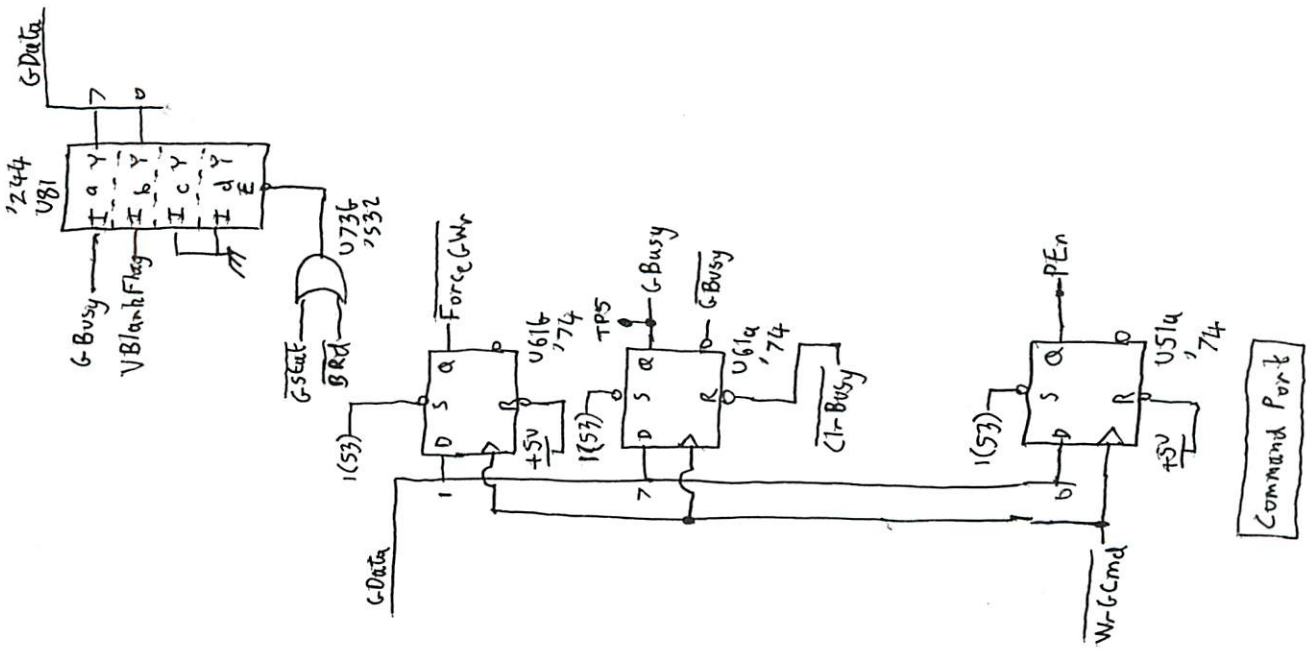
Sheet 12

HP2623 Logic PCB

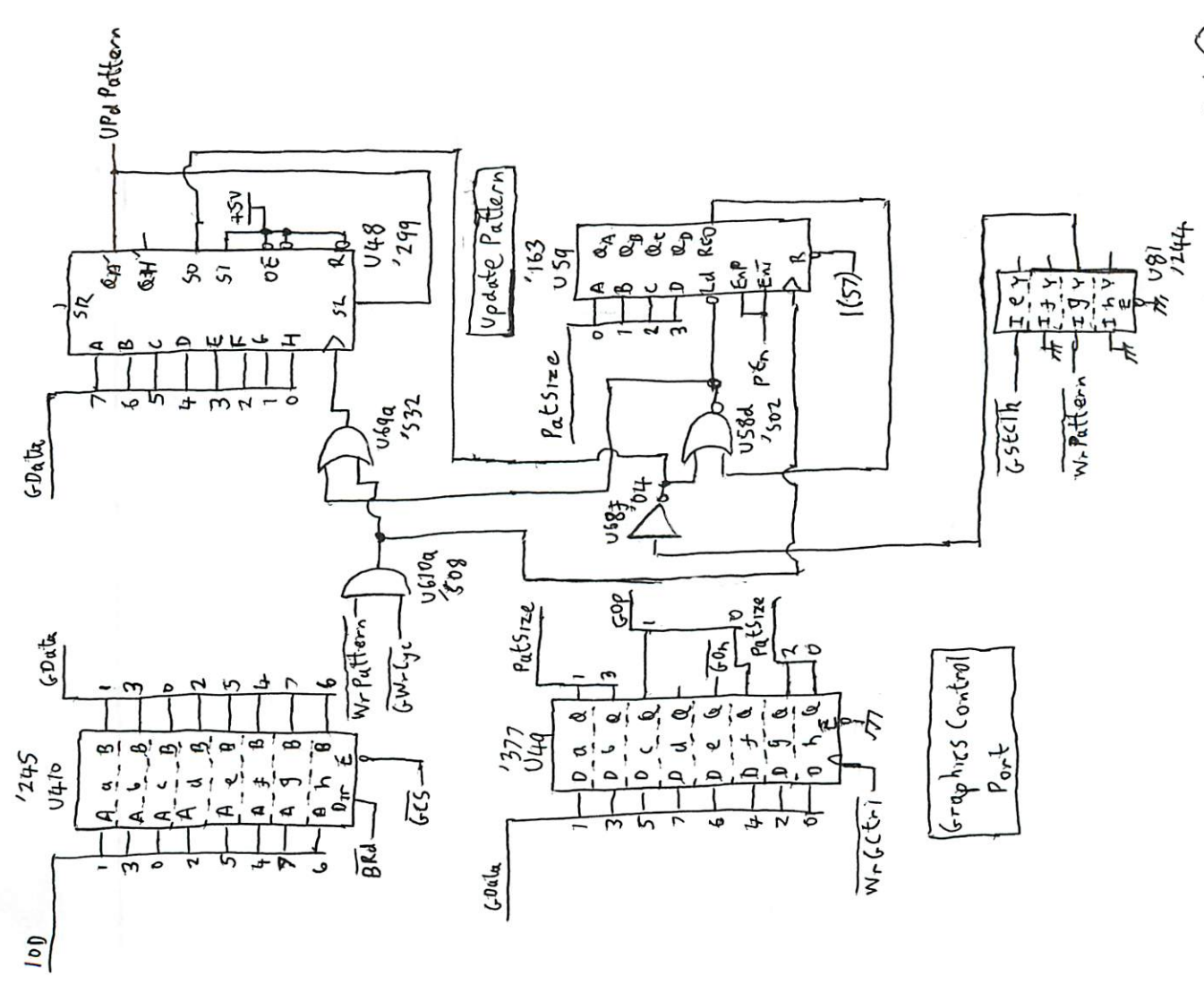




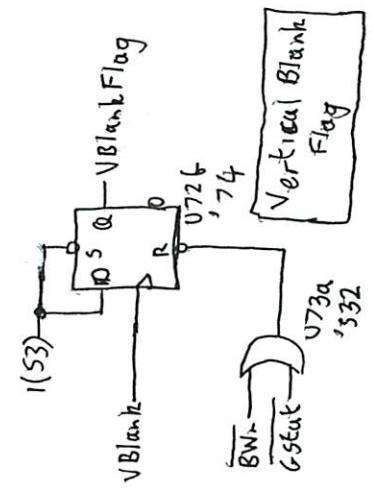
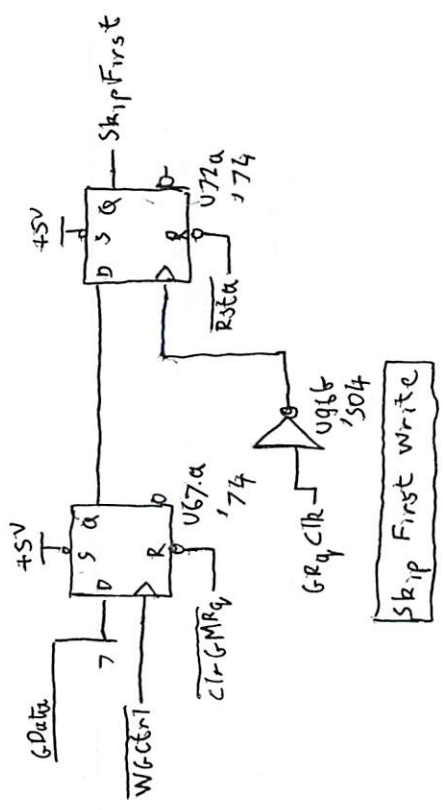
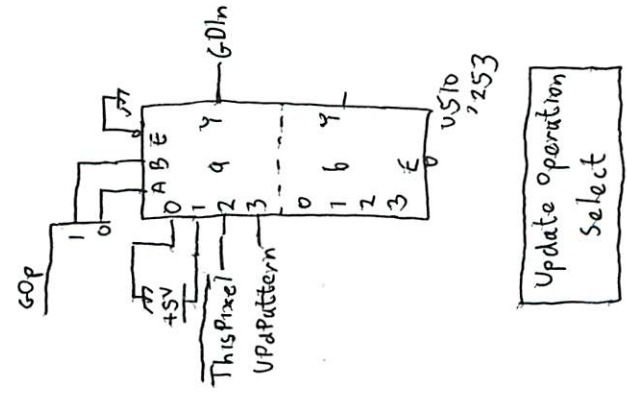
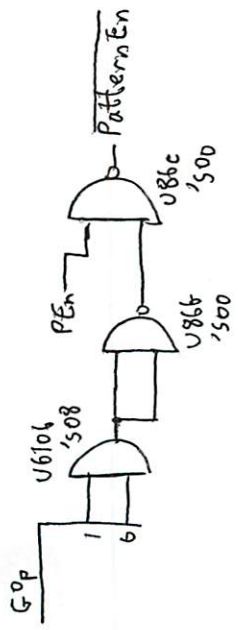


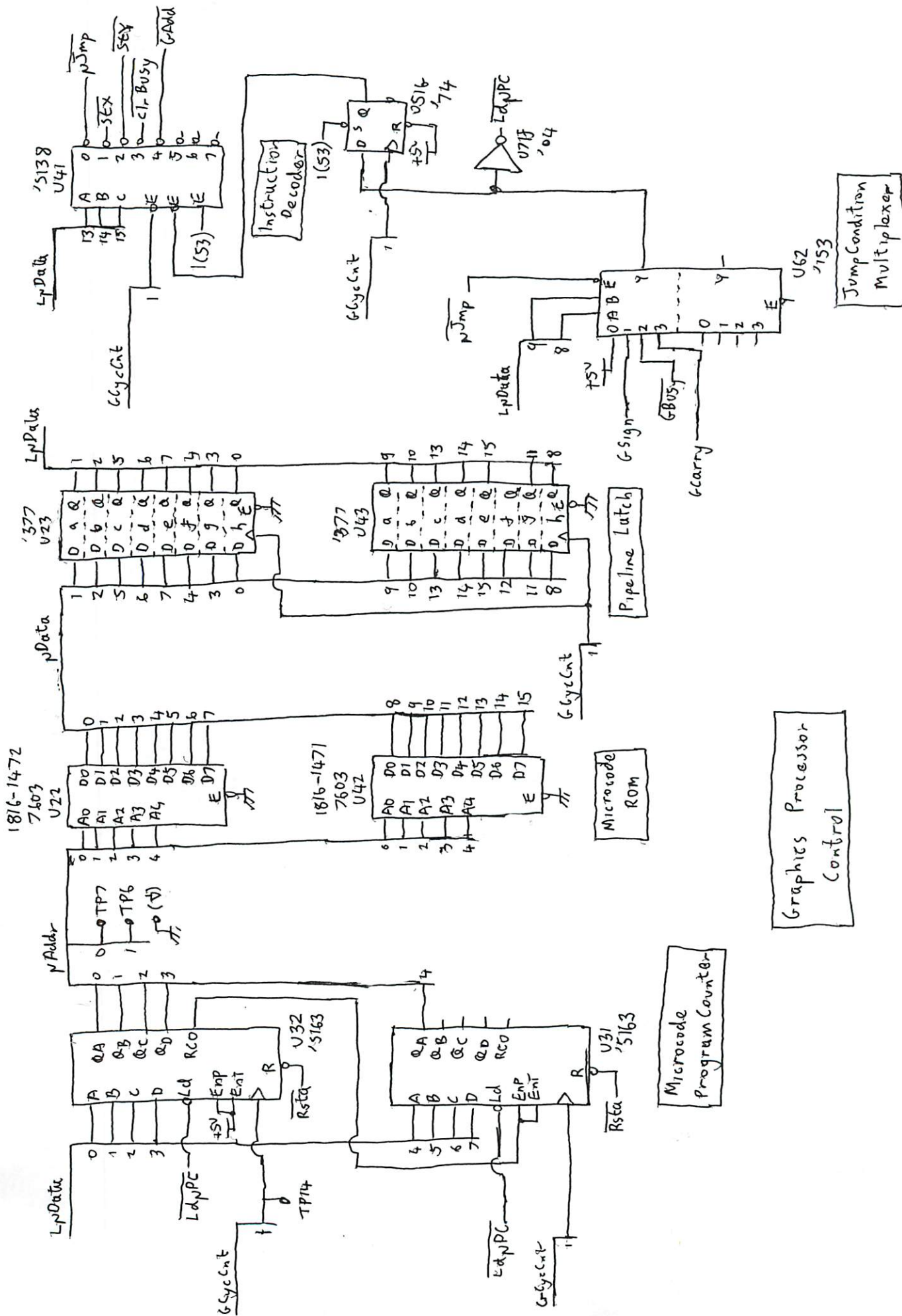


02620-60688



HP2623 Logic PCB Sheet (16)

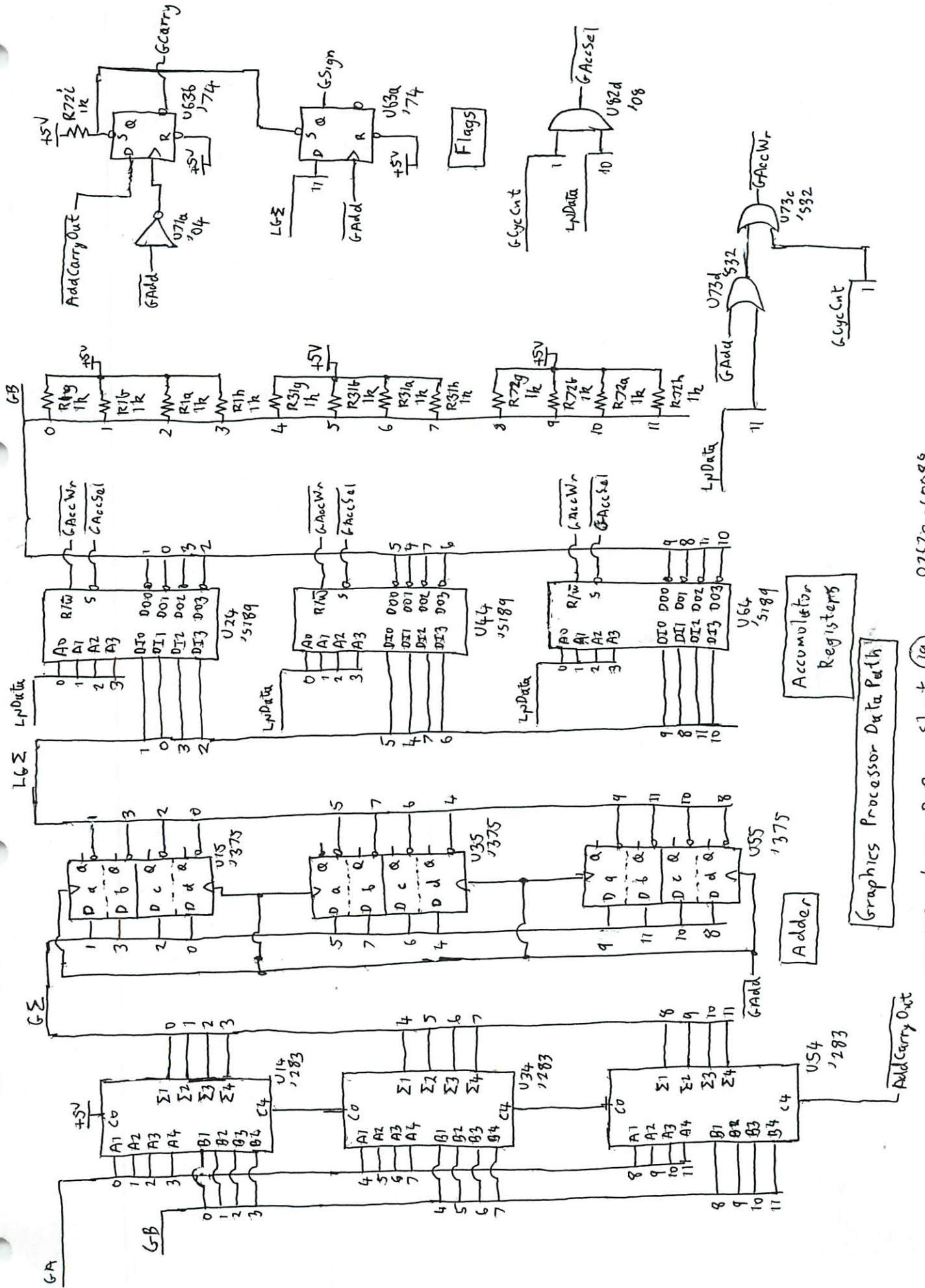


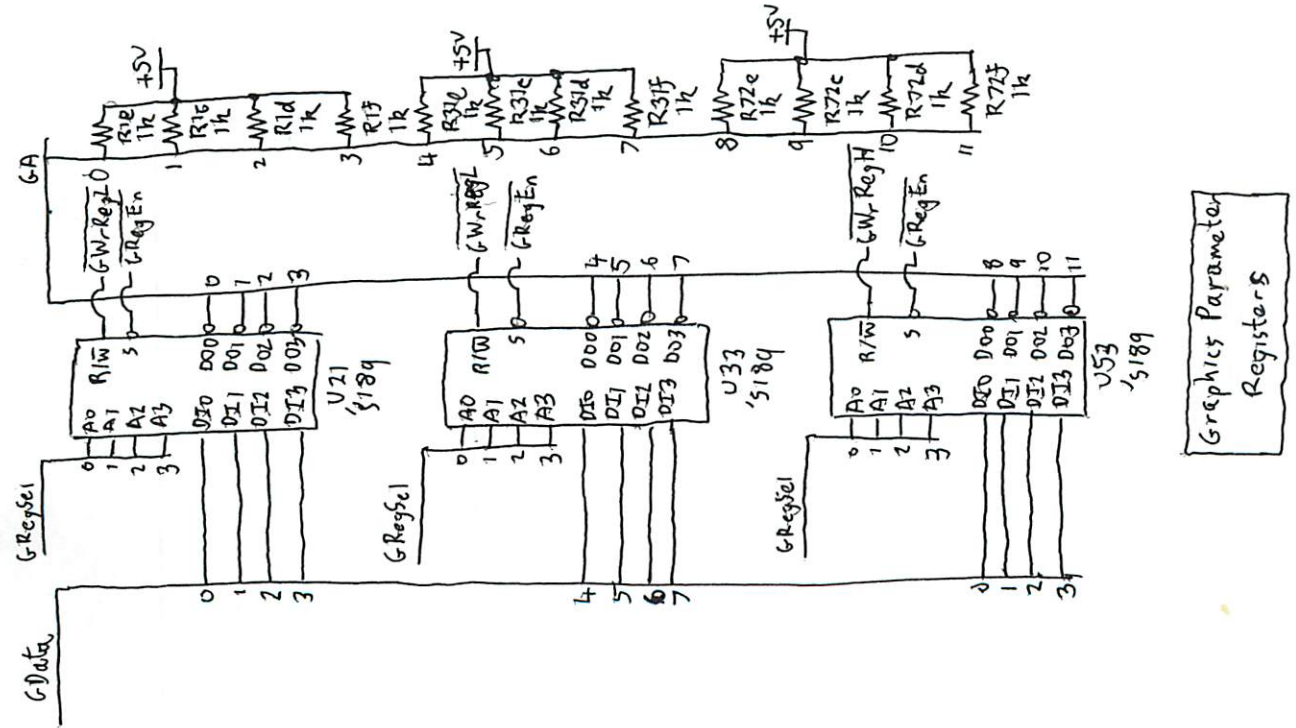
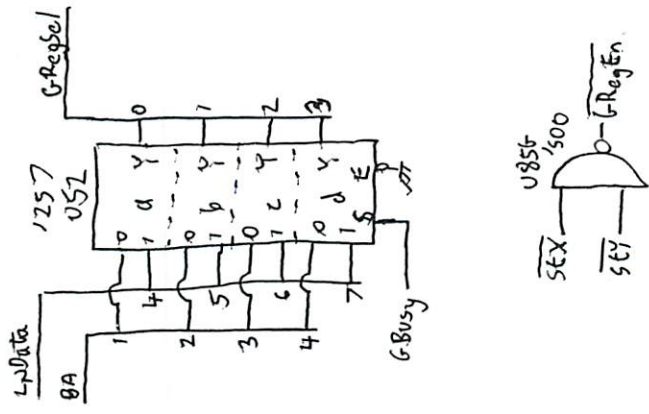
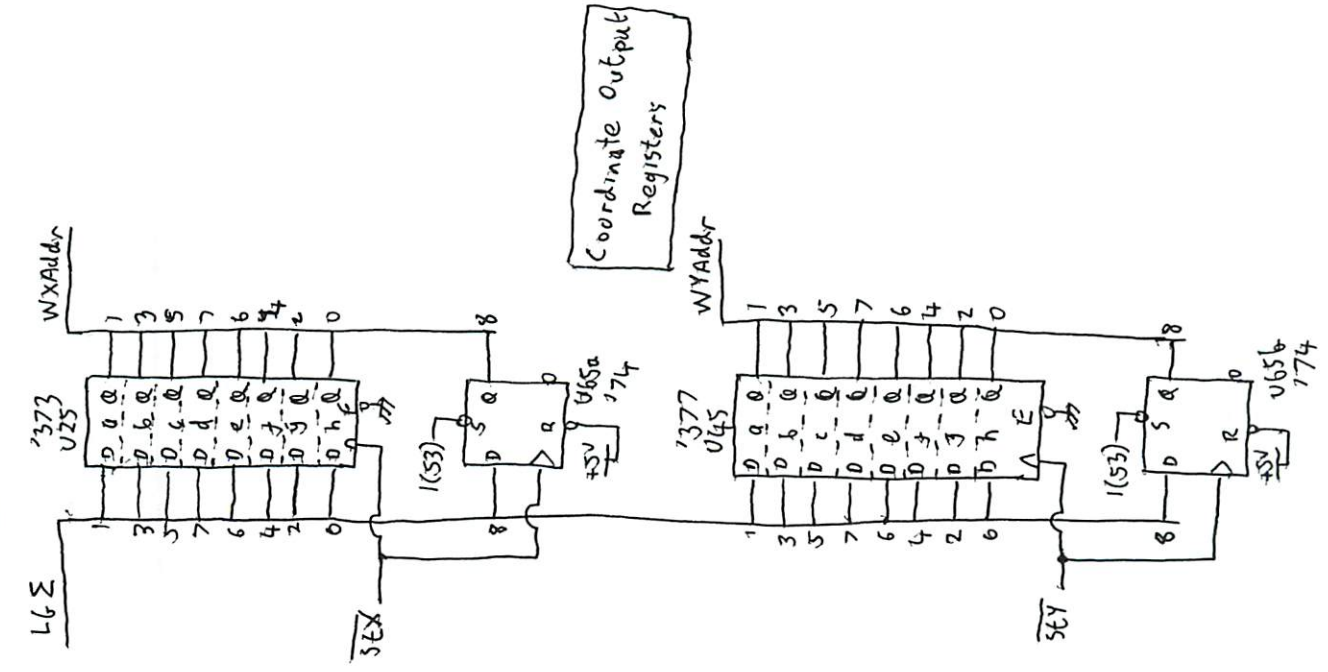


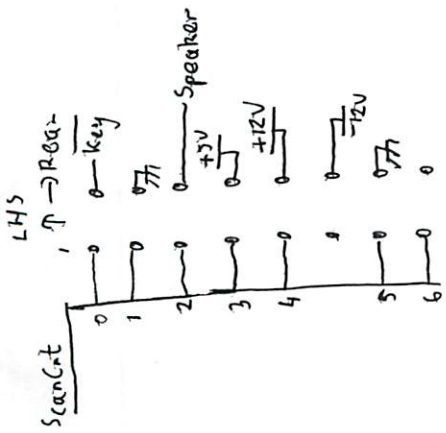
Graphics Processor Control

Microcode Program Counter

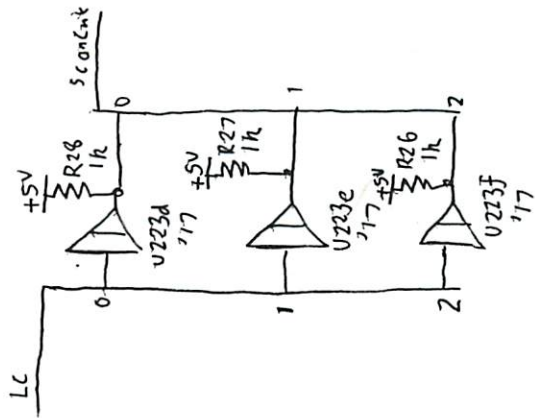
Jump Condition Multiplexer



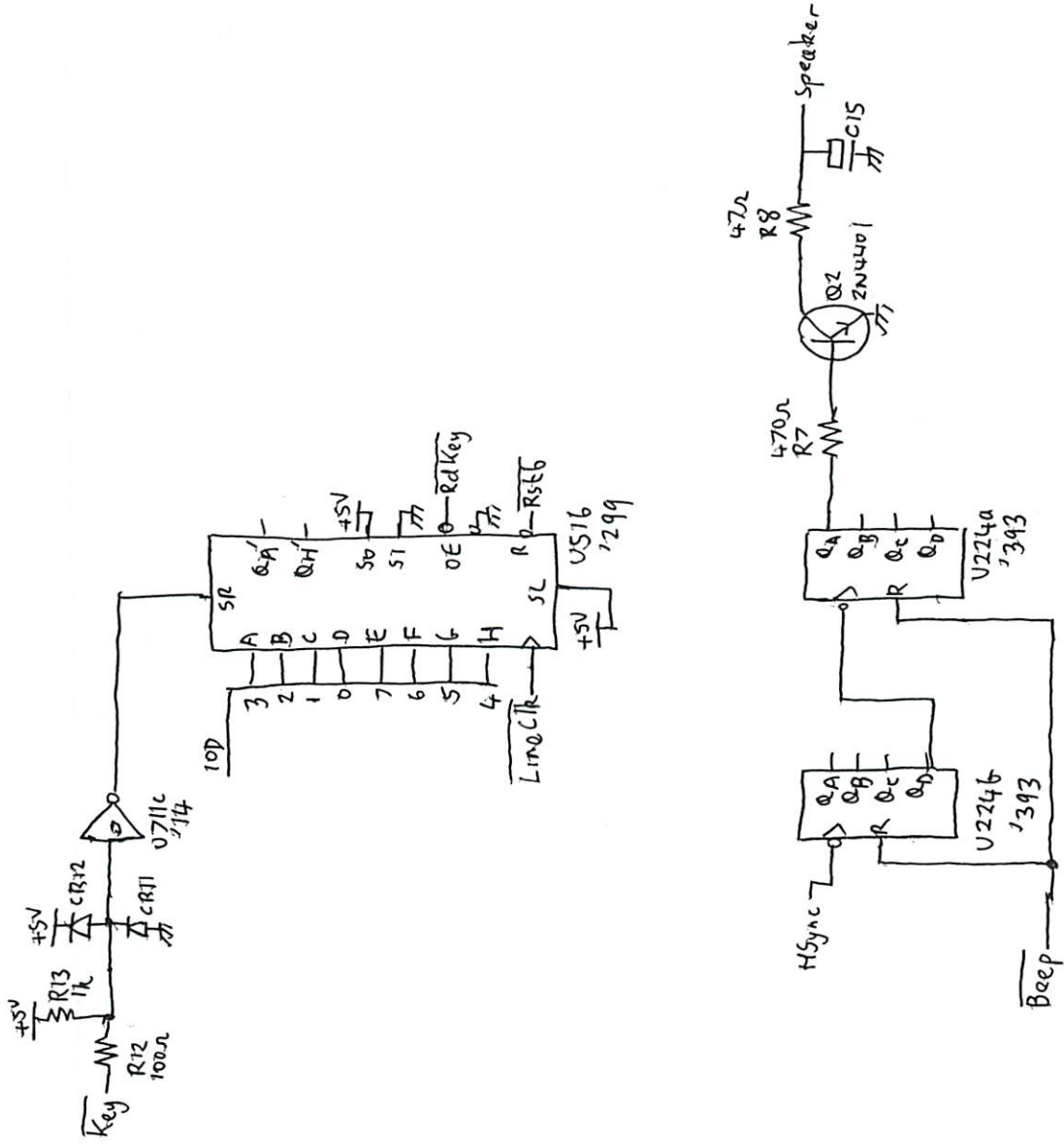


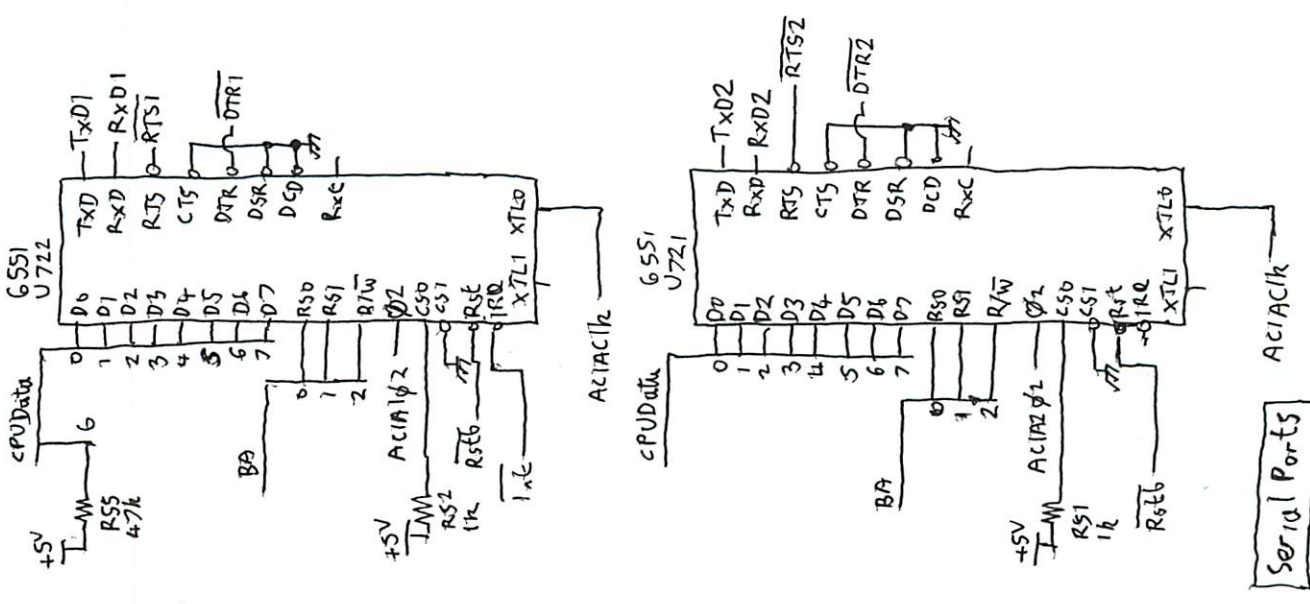


J4
(Keyboard)



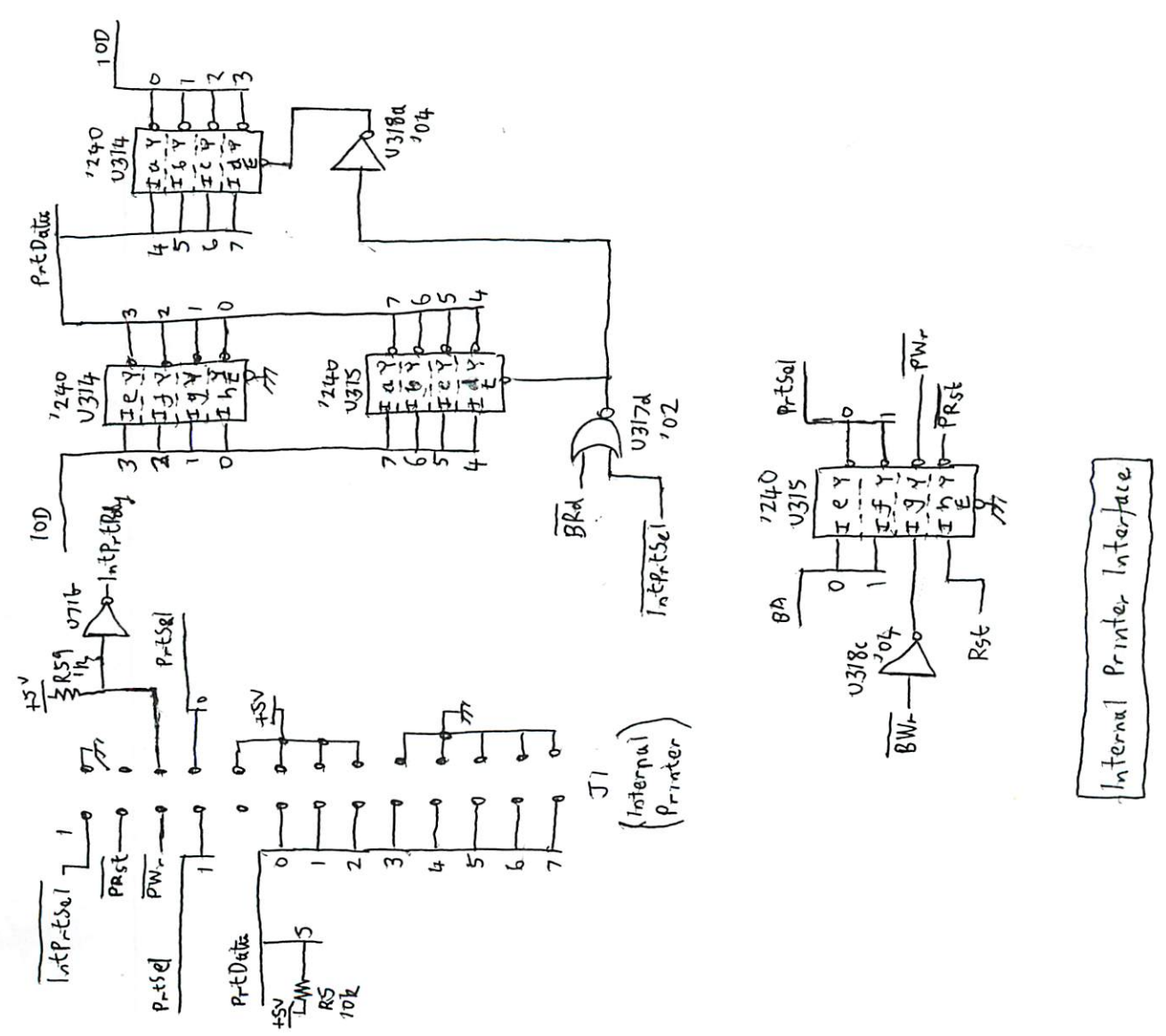
Keyboard Interface



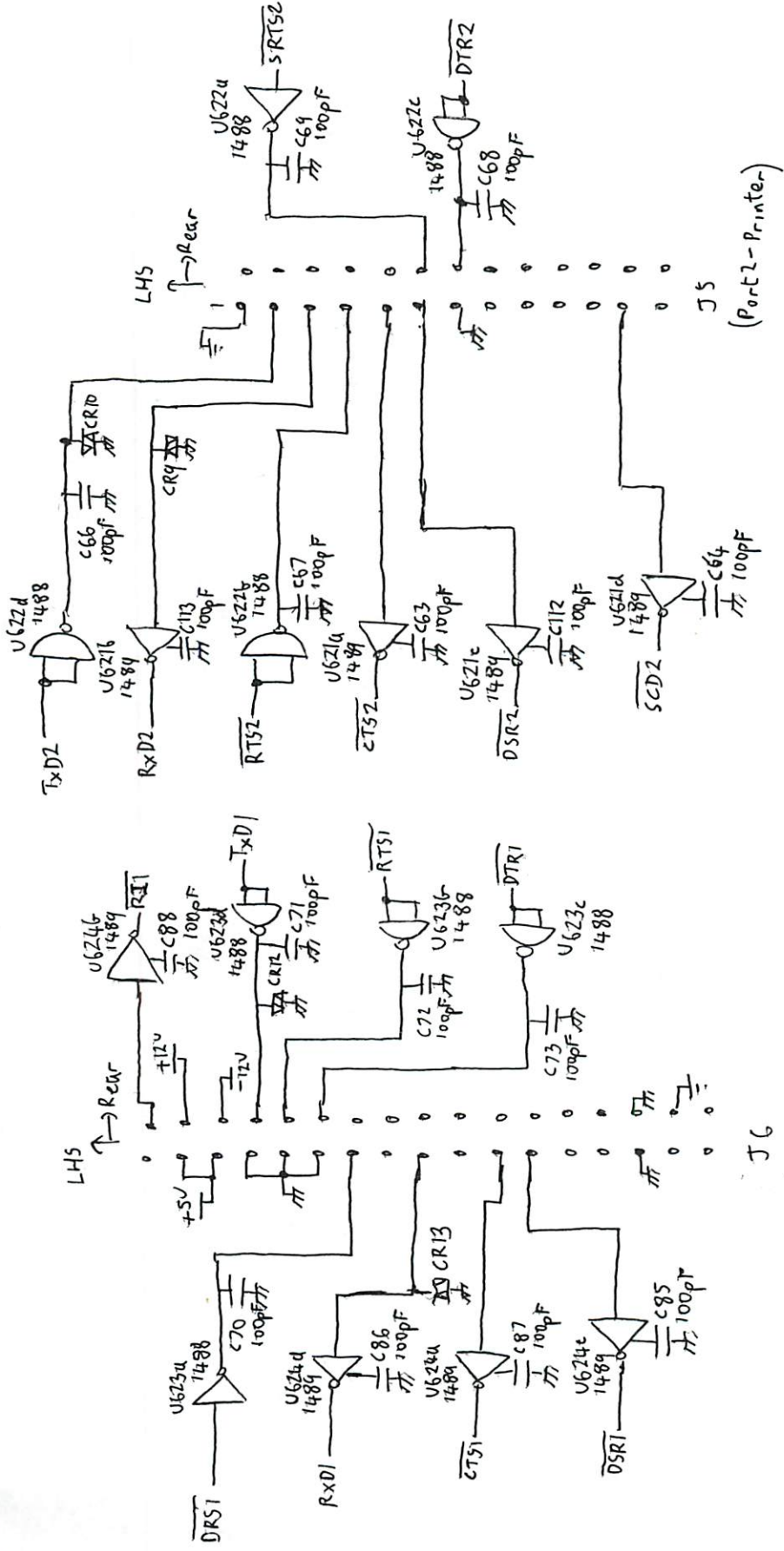


OZ620-60088

HP2623 Logic PCB Sheet 22

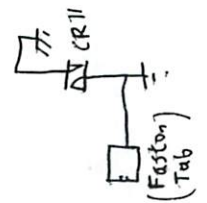
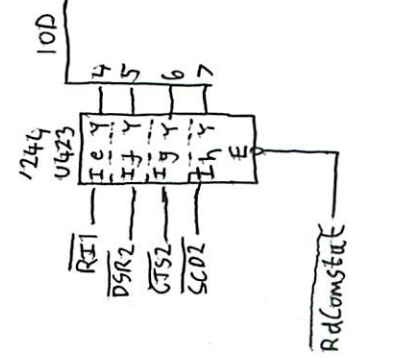
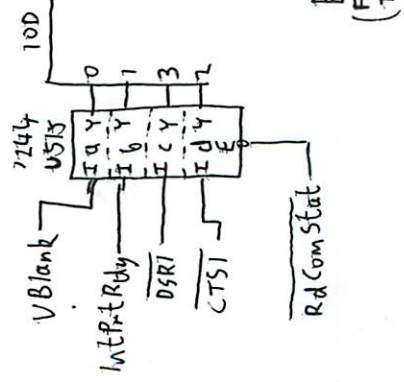


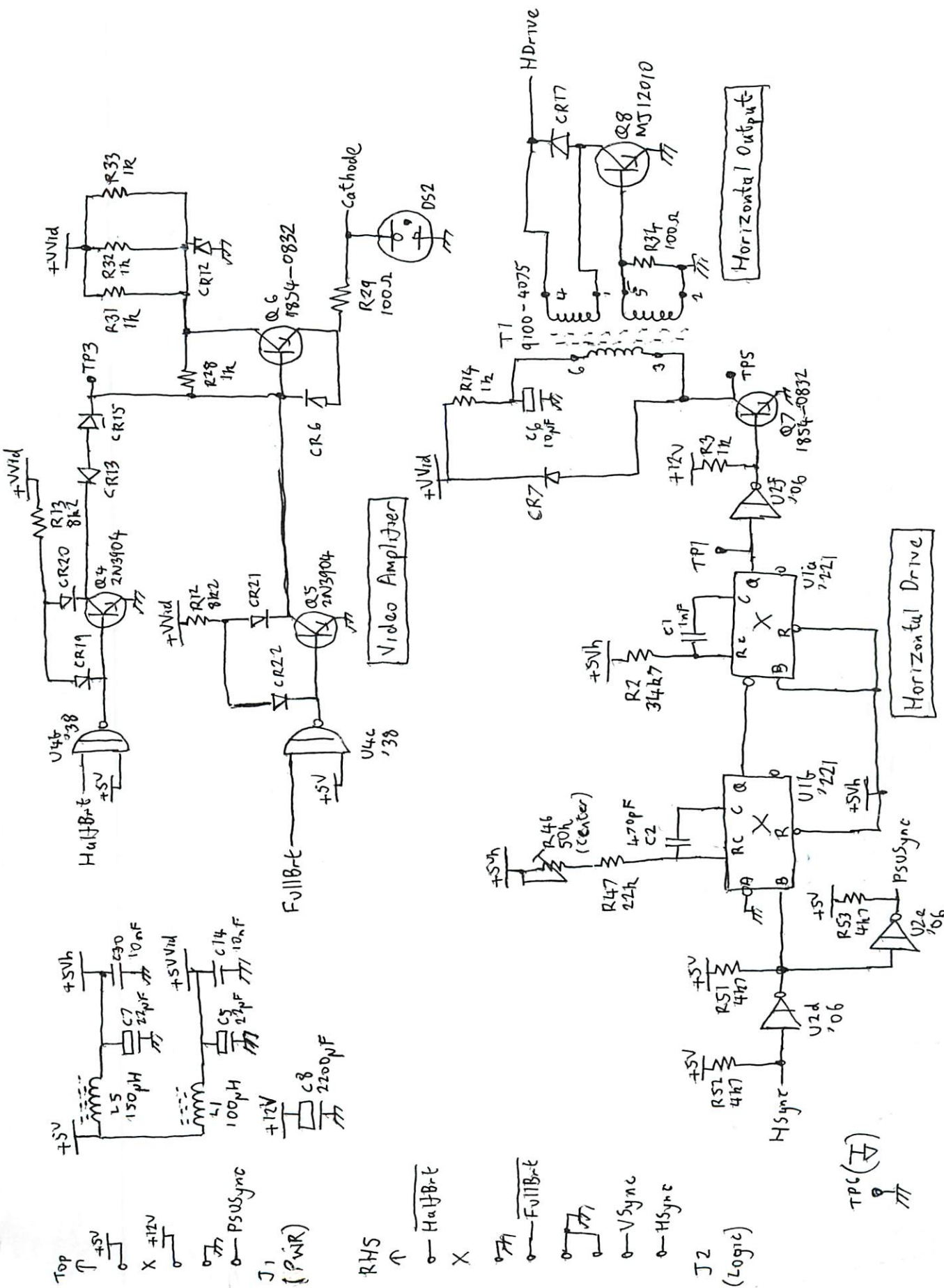
Internal Printer Interface



J6
(Port 1 - Data.com)

J5
(Port 2 - Printer)





Top

↑ +5V

○ +12V

X

○ PSUsync

J1 (PWR)

↑ +5Vh

↑ +12Vh

○ PSUsync

J1 (PWR)

RHS

↑

○ Half-Brt

X

○ Full-Brt

○ VSync

○ HSync

J2 (Logic)

↑ +5V

○ PSUsync

J2 (Logic)

↑ +5Vh

↑ +12Vh

○ PSUsync

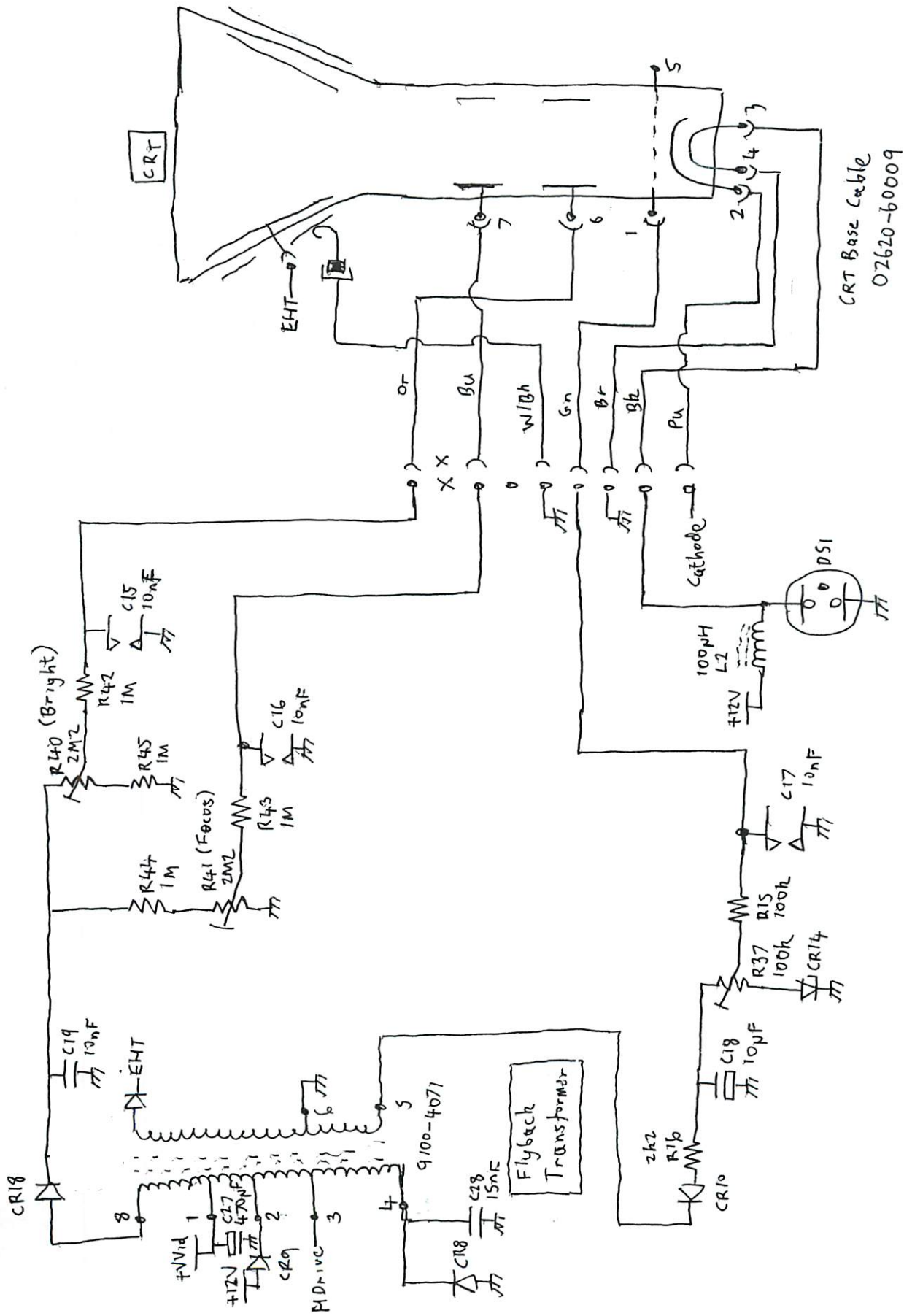
J2 (Logic)

↑ +5Vh

↑ +12Vh

○ PSUsync

J2 (Logic)

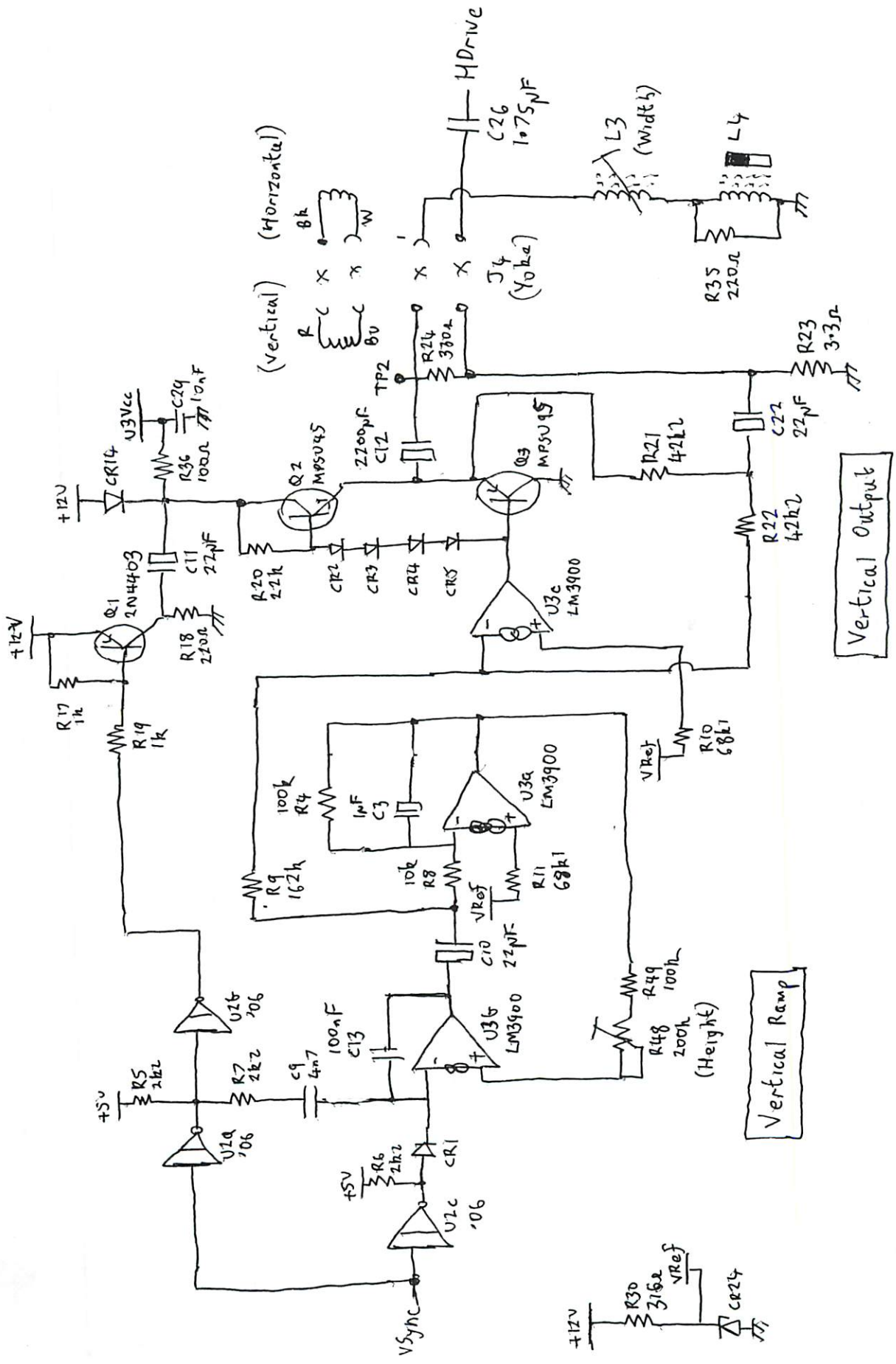


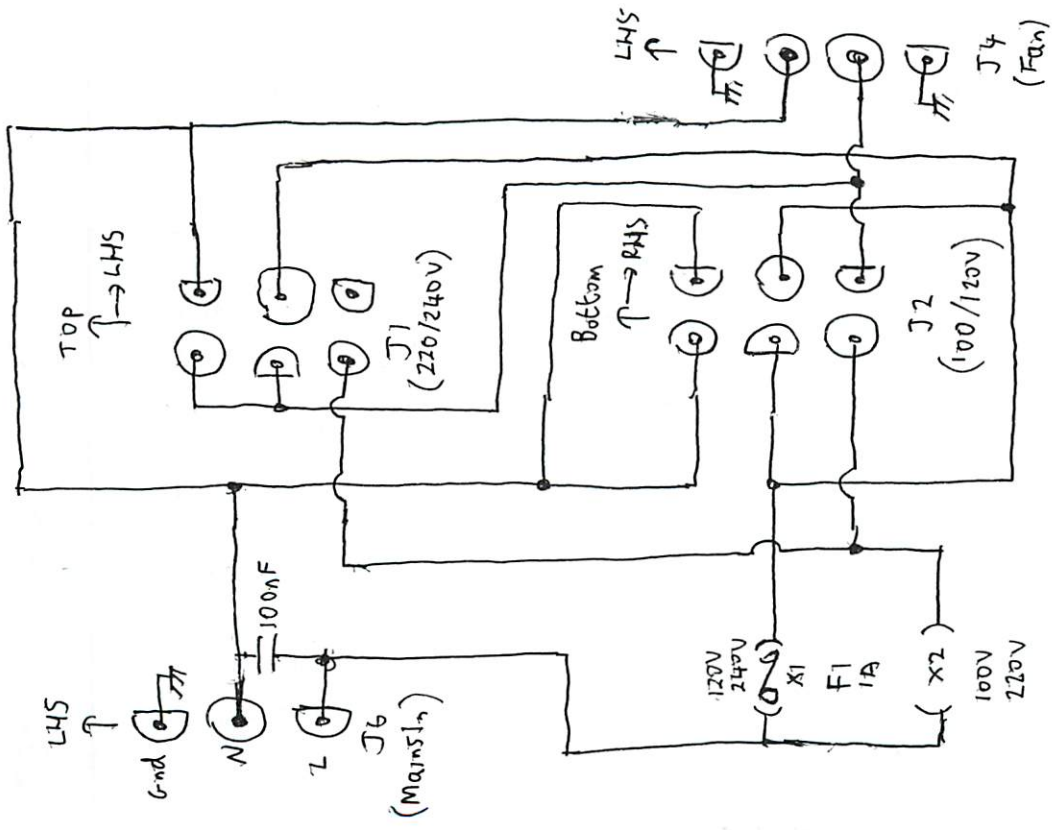
02620-60182

Monitor PCB Sheet 2

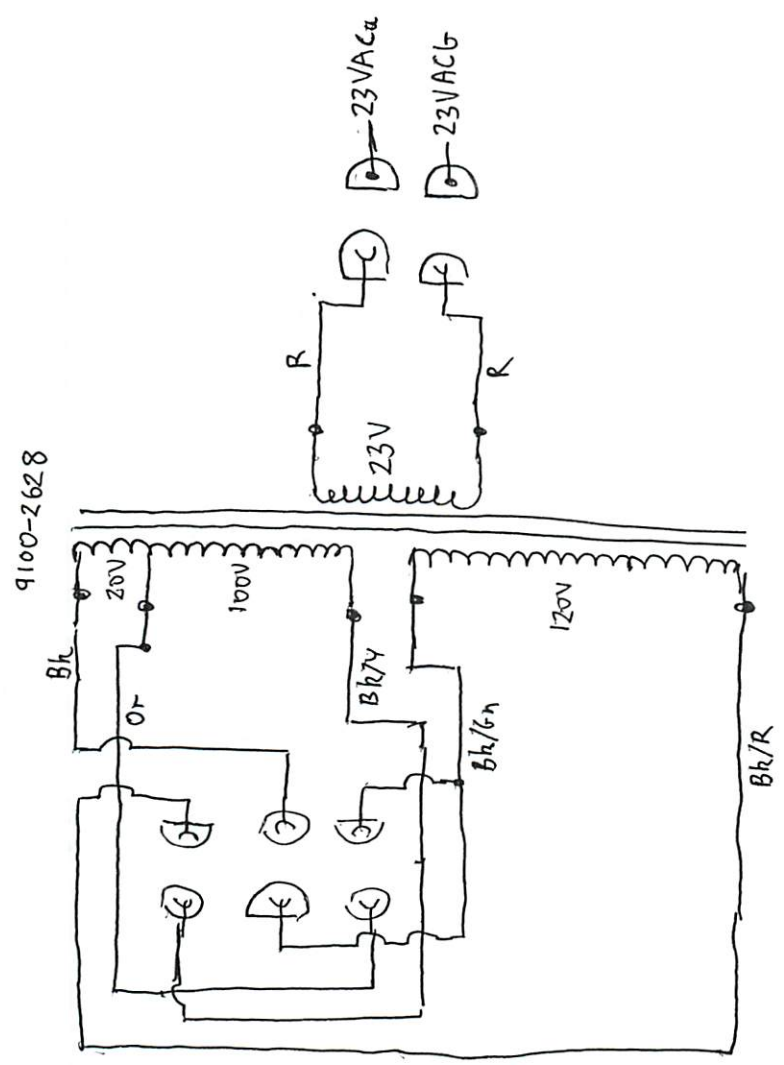
HP2523

CRT Base Cable
02620-60009



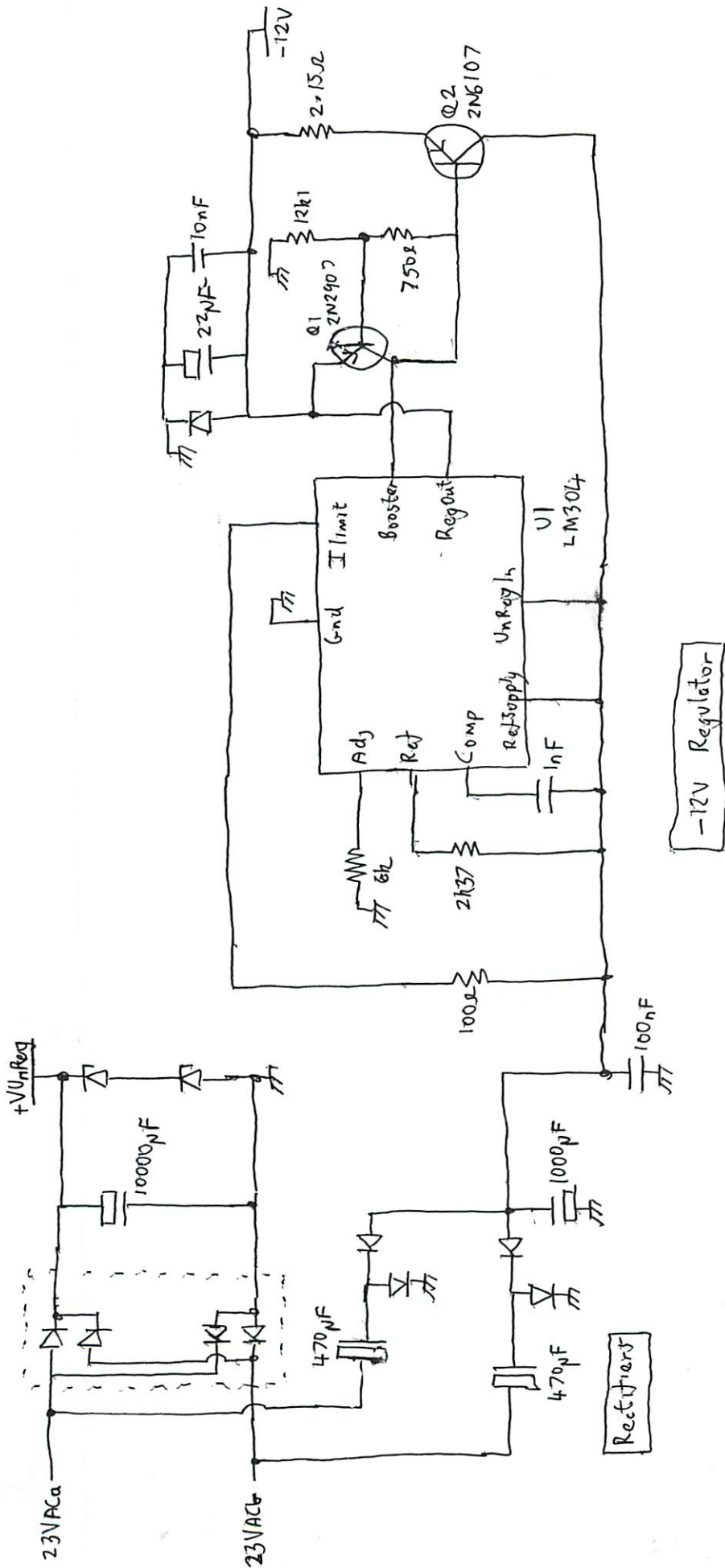


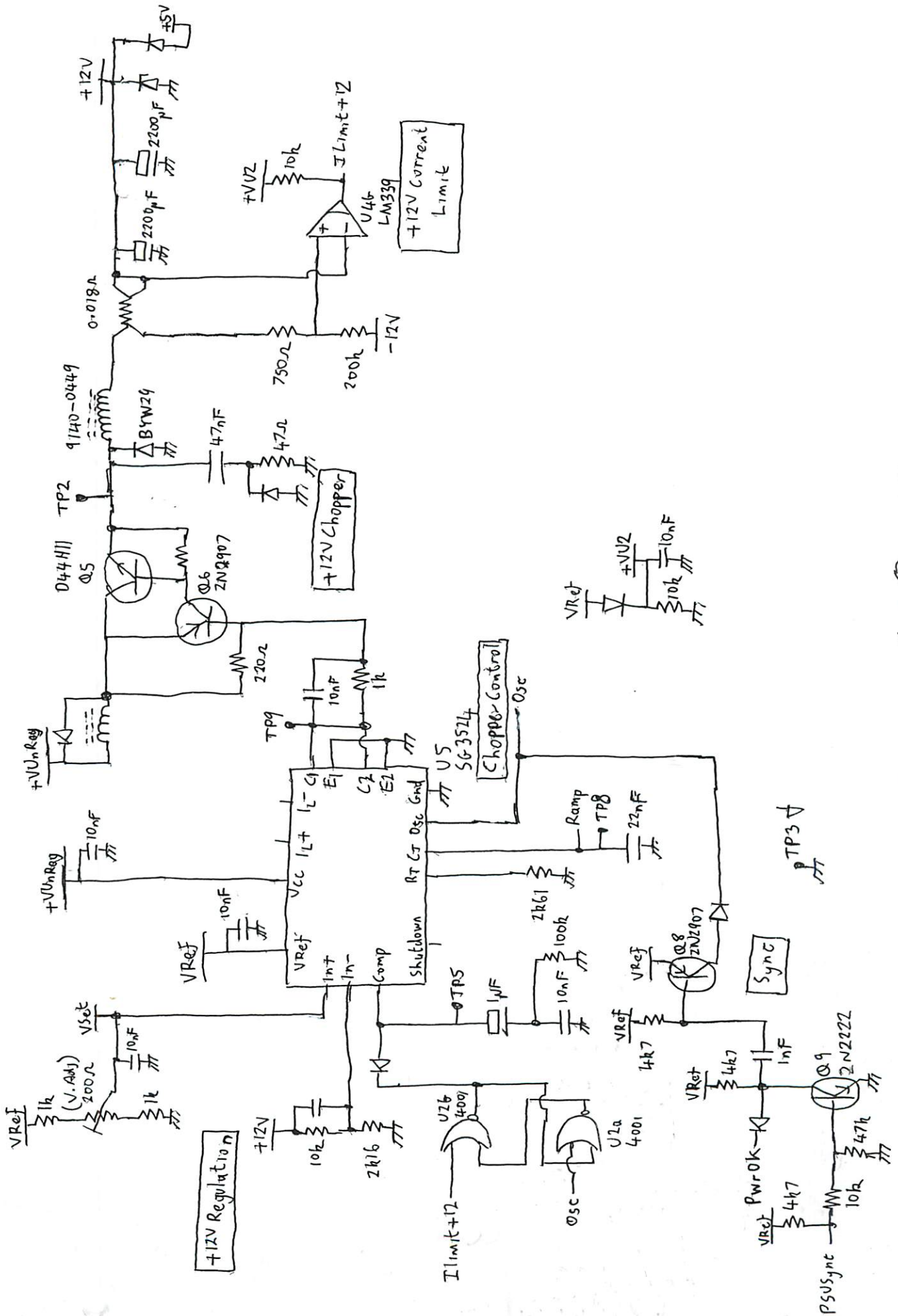
Mains Voltage Selector

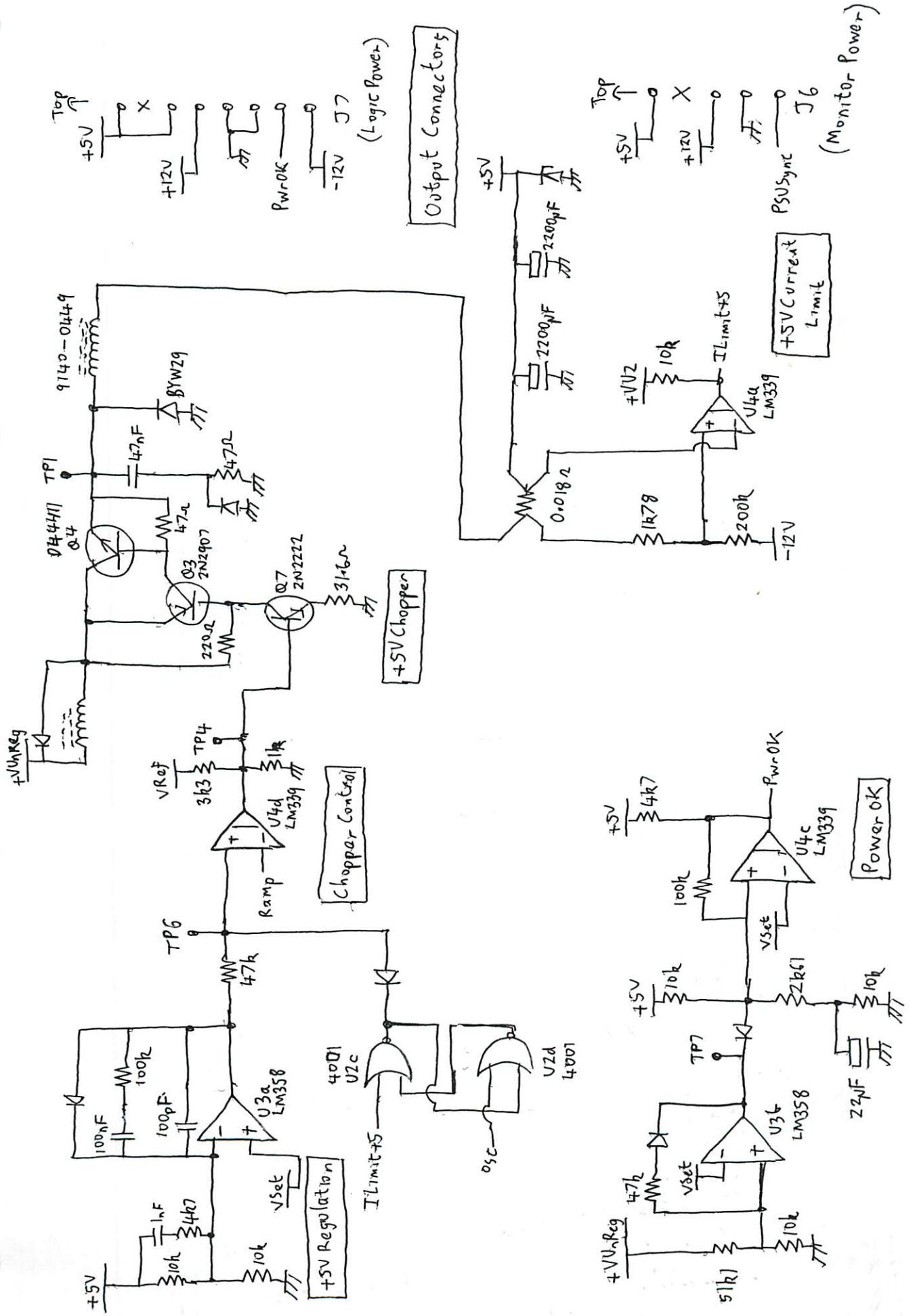


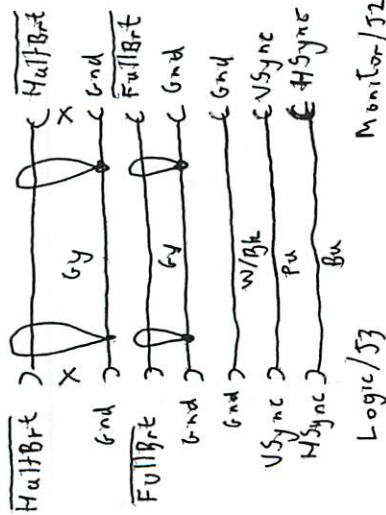
Mains Transformer

(Not mounted on PCB)

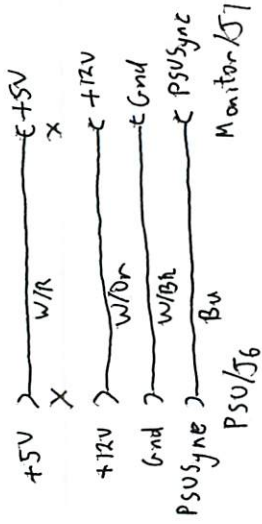




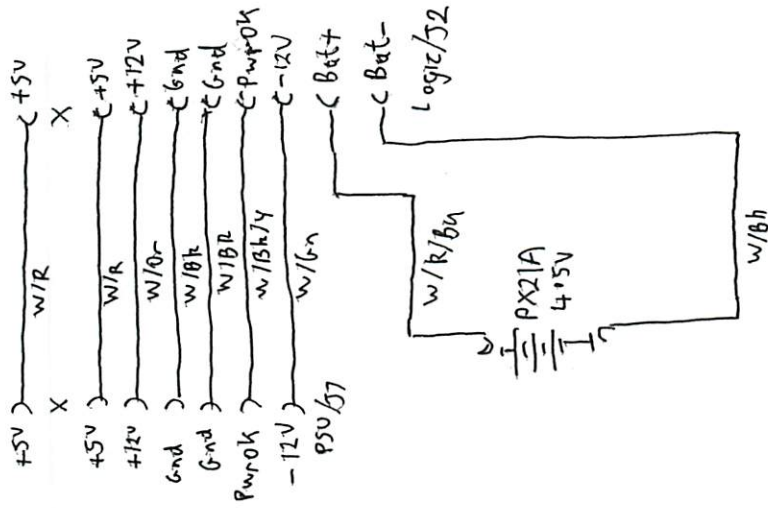




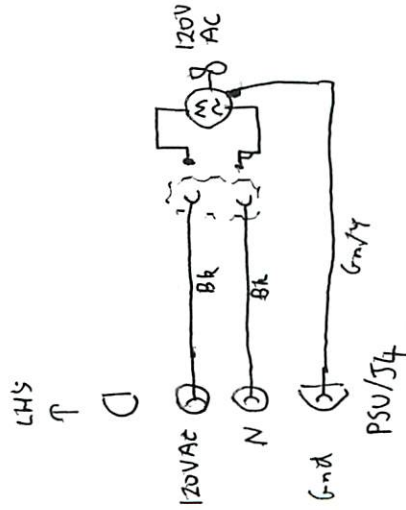
Video Cable (02620-60225)



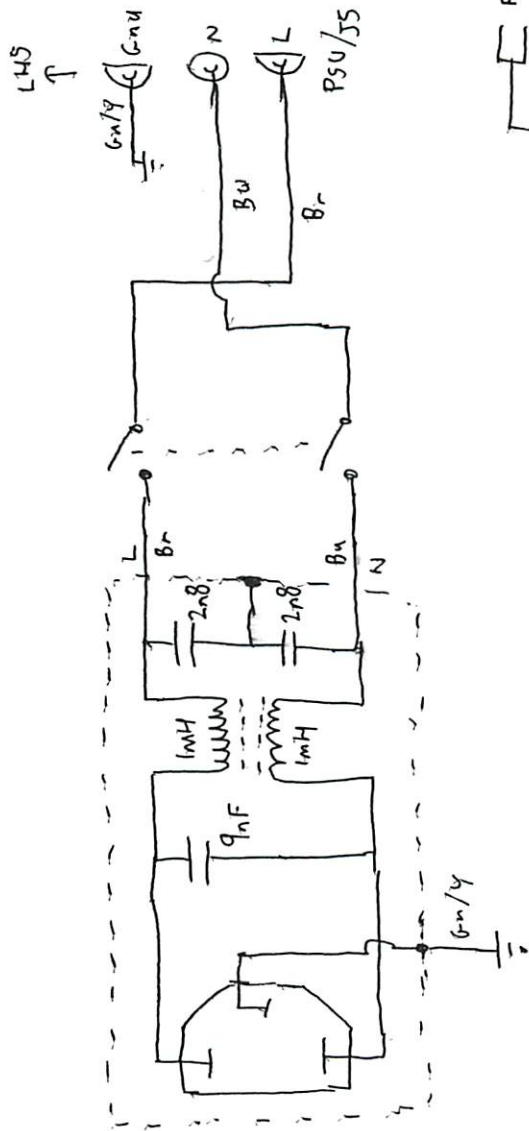
Monitor Power Cable (02620-60022)



Logic Power Cable (02620-60021)



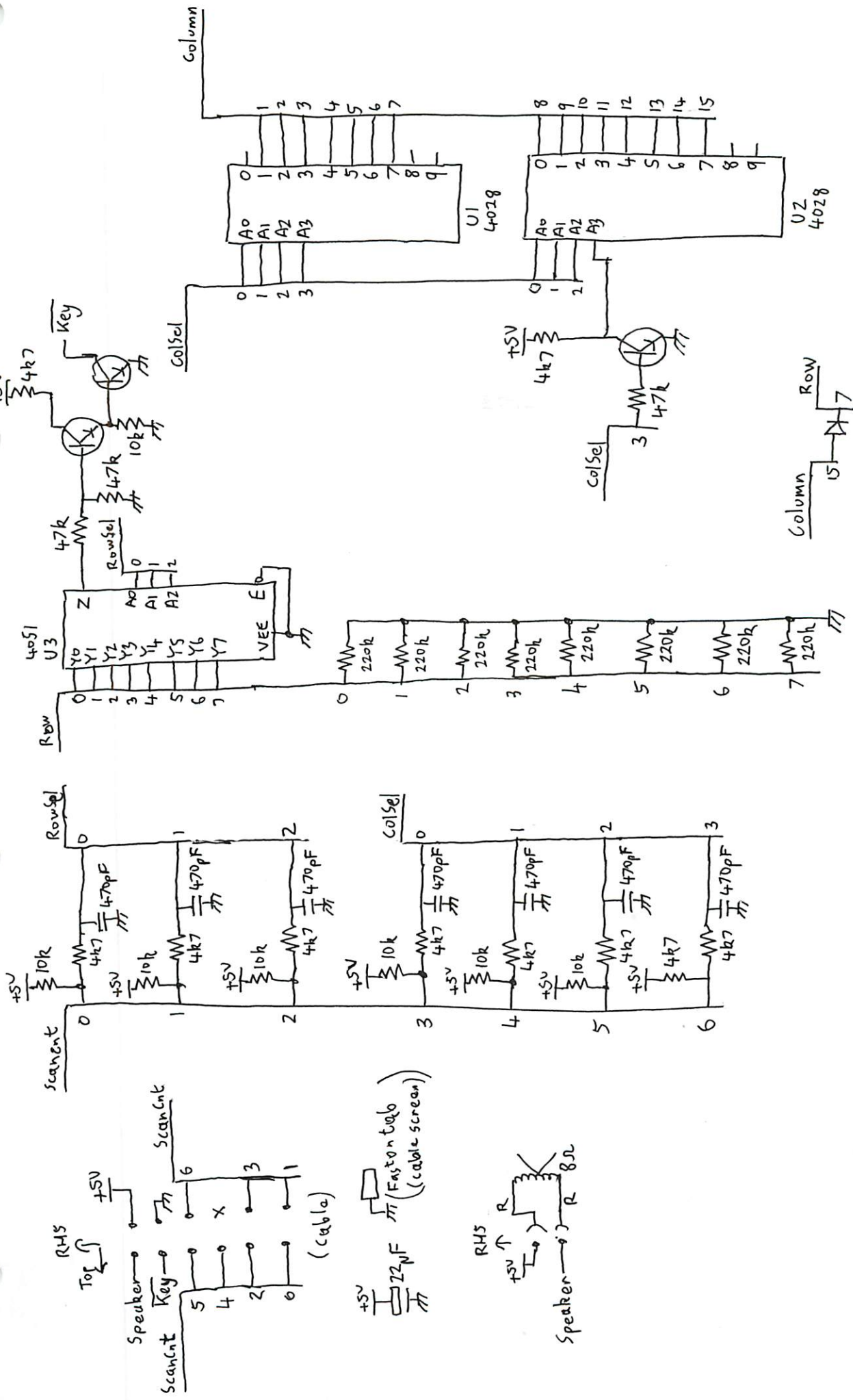
Fan Wiring (02620-60172)



Faston
to Logic
PCB

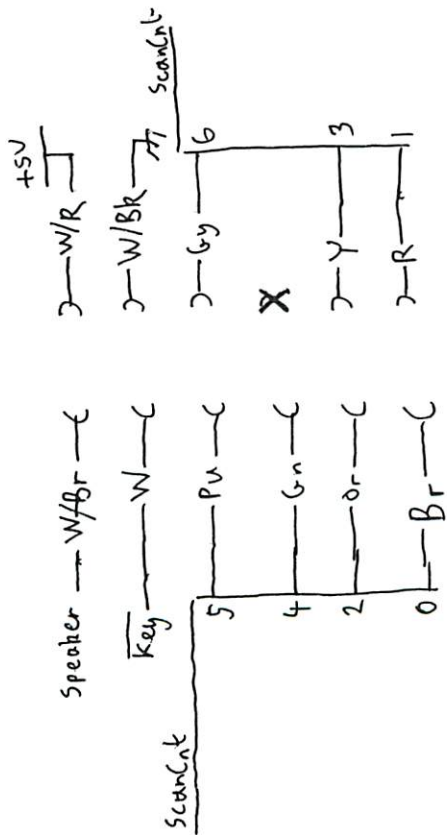
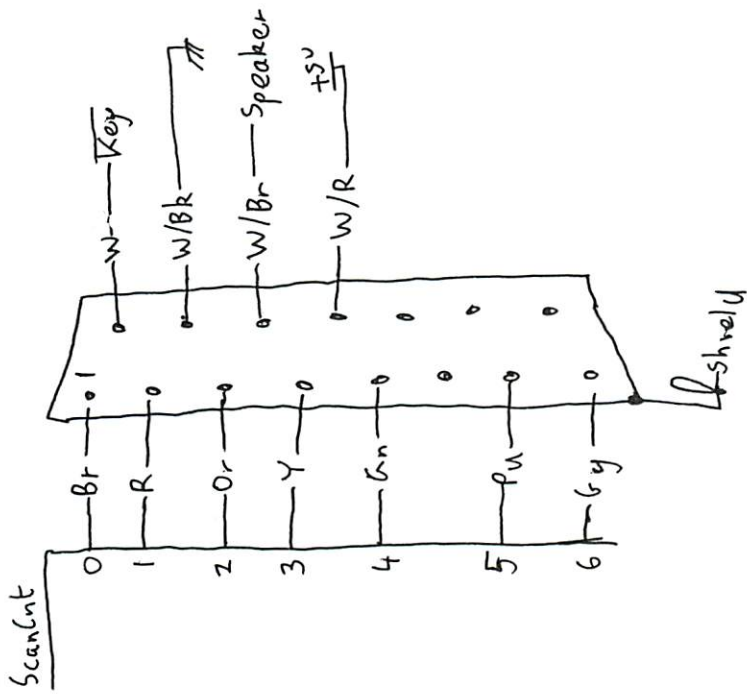
(02620-60230)

HP2623 Mains Bracket



OZ620-60108

HPZ623 Keyboard sheet ①



Shield
(Faston Tub)

F1	F2	F3	F4
AIDS MODES	USER KEYS	NEXT PAGE	PREV PAGE
			↩

F5	F6	F7	F8
^	>	V	ROLL DOWN UP

INS LINE	DEL LINE	BREAK	RESET
INS CHAR	DEL CHAR	CLEAR LINE	CLEAR DISPLAY

ESC	"	£	§	%	&	^	~	{	}	=	?	/	BACK SPACE	~
TAB	Q	W	E	R	T	Y	U	I	O	P	~	~	RETURN	DEL
CAPS CTRL	A	S	D	F	G	H	J	K	L	;	:	~	SHIFT	ENTER
SHIFT	Z	X	C	V	B	N	M	;	:	~	~	~	SHIFT	ENTER

Graph Display 7	A 8	Graph cursor 9	NUM —
4	Alpha Display 5	→ 6	◀ TAB
Graph clear 1	2	Graph copy 3	TAB ▶
0	Cursor-Fast	•	

Space Bar

HP 2623 Keycaps (UK)