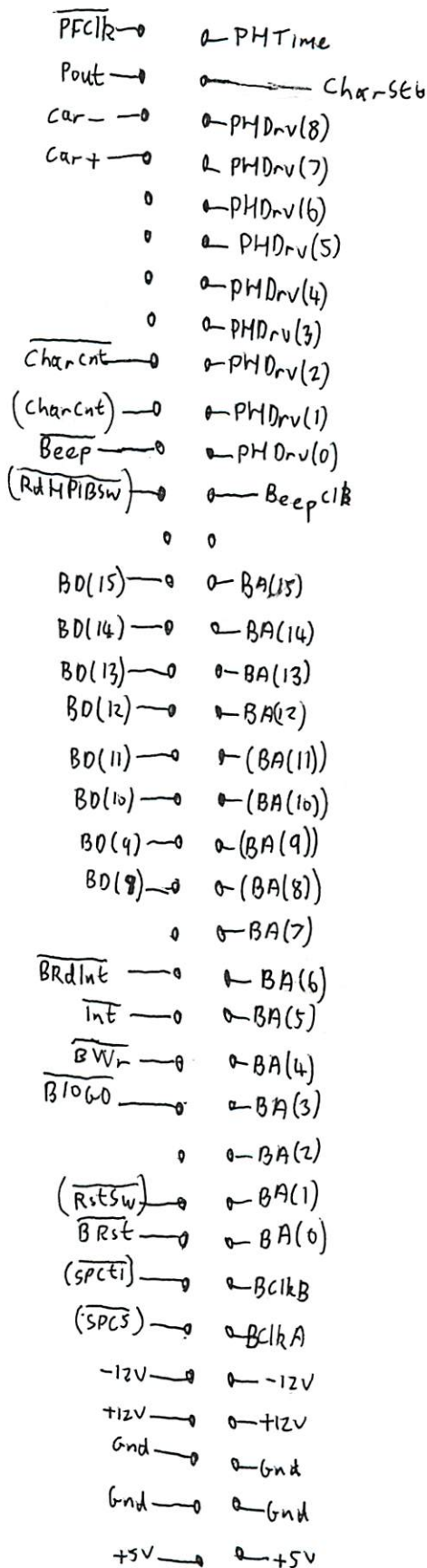
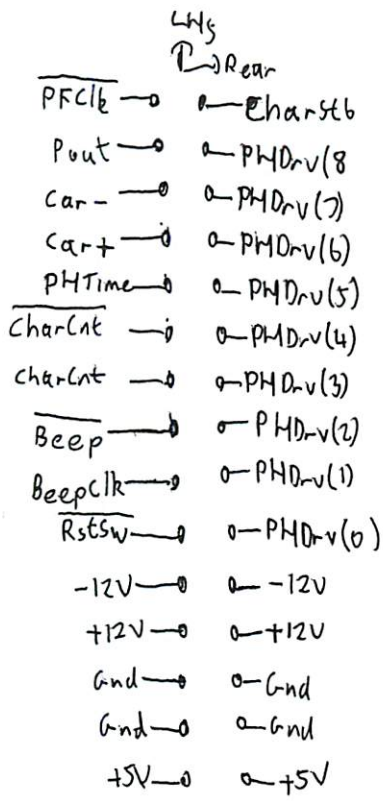


CPU → Backplane
 HP1B → Backplane

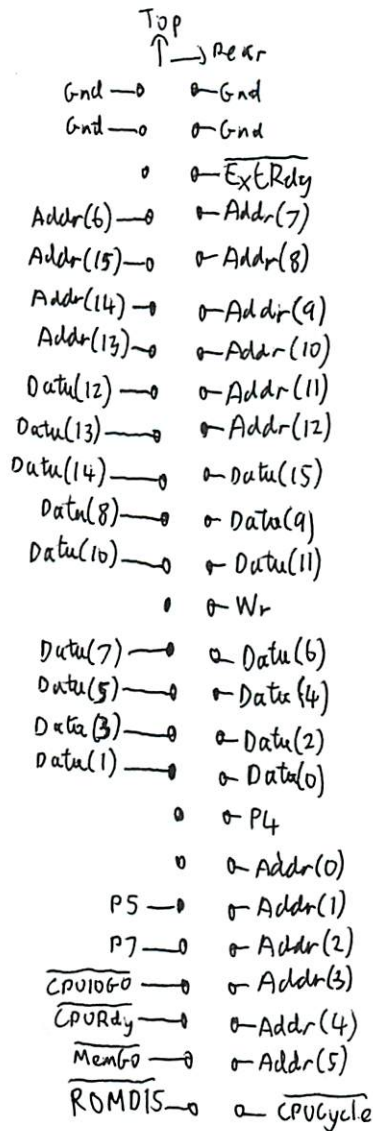


Printer Logic → Backplane

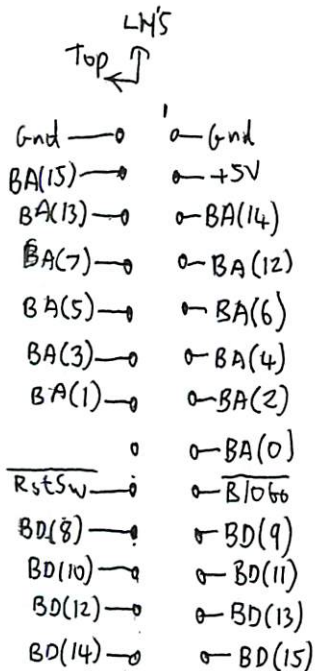
HP 2631B



PSU → Backplane

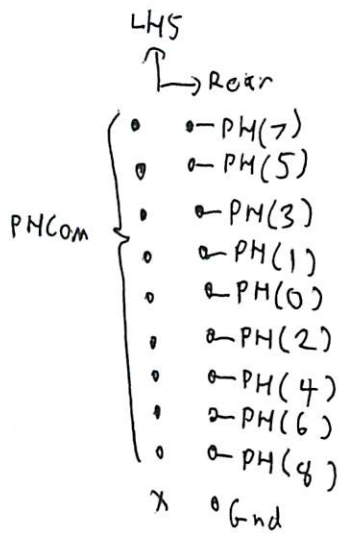


CPU PCB / J34
 Test Connector

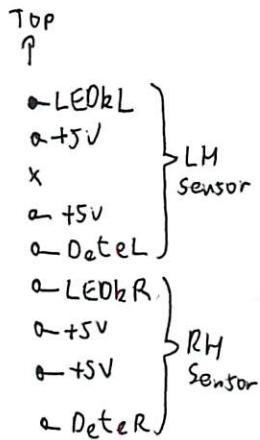


Control Panel PCB

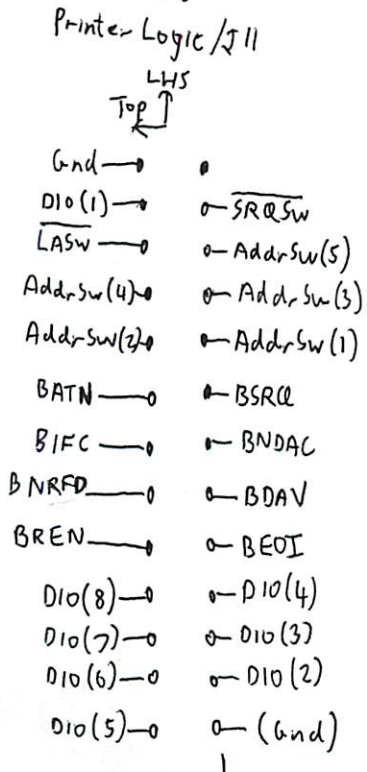
HP2631B



Printhead

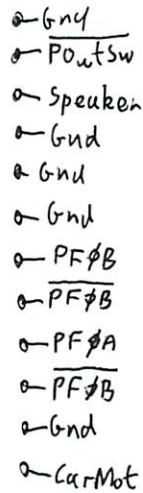


End Sensors

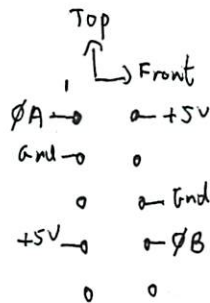


HP1B Connector PCB
HP1B/P19

Top
↑

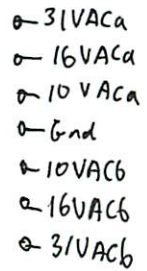


Motor Harness
PSU/J16

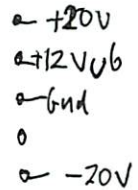


Shaft Encoder
Printer Logic/J13

LHS
↑

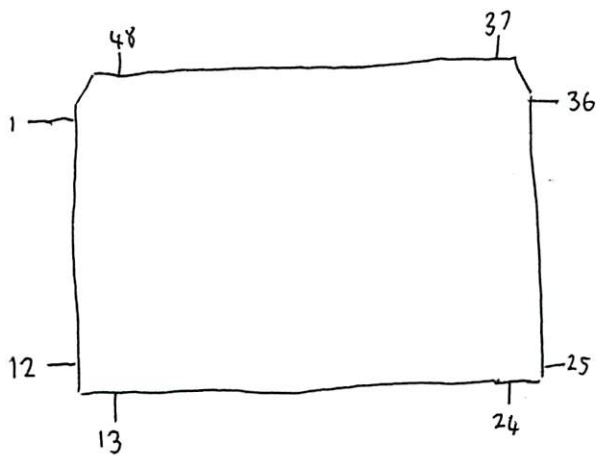


Transformer
secondary
PSU/J10
LHS
↑



PSU Test
PSU/J30

IAE8-6001 MC² CPU



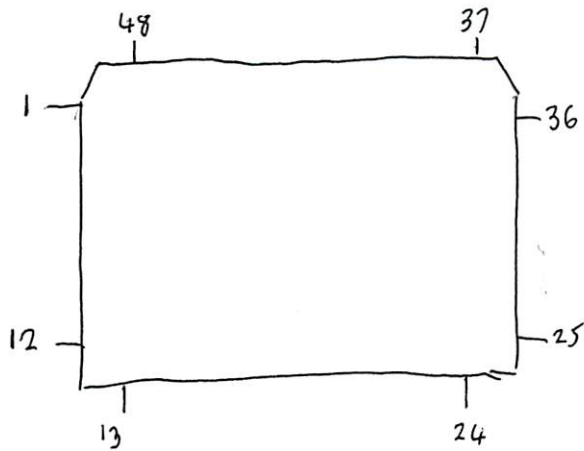
- 1 Gnd
- 2 Vcc (+5V)
- 3 \overline{RST}
- 4 P4
- 5 P5
- 6 \overline{Int}
- 7 P7
- 8 clk_{in}
- 9 clk_{out}
- 10 $\overline{IO\overline{60}}$
- 11 \overline{Rdy}
- 12 Mem $\overline{60}$

- 13 Cycle
- 14 Vdd (+12V)
- 15 A15 (LSB)
- 16 A14
- 17 A13
- 18 A12
- 19 A11
- 20 A10
- 21 A9
- 22 A8
- 23 A7
- 24 A6

- 25 A5
- 26 A4
- 27 A3
- 28 A2
- 29 A1
- 30 A0 (MSB)
- 31 Vdc (+5V)
- 32 D0 (MSB)
- 33 D1
- 34 D2
- 35 D3
- 36 D4

- 37 D5
- 38 D6
- 39 D7
- 40 D8
- 41 D9
- 42 D10
- 43 D11
- 44 D12
- 45 D13
- 46 D14
- 47 D15 (LSB)
- 48 Wr

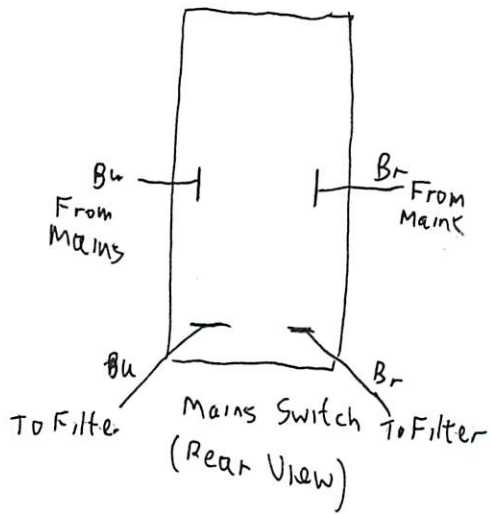
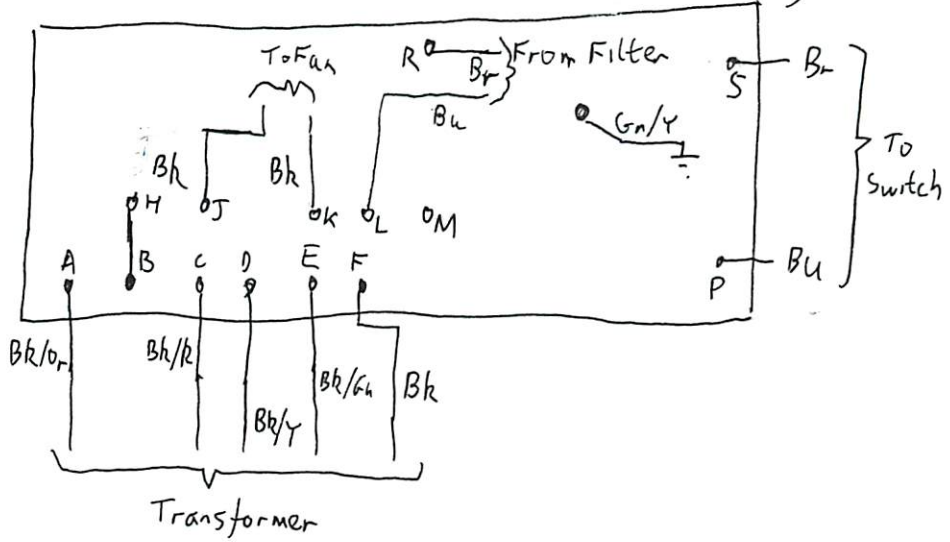
IAA6-6004 PMI MPIB Interface

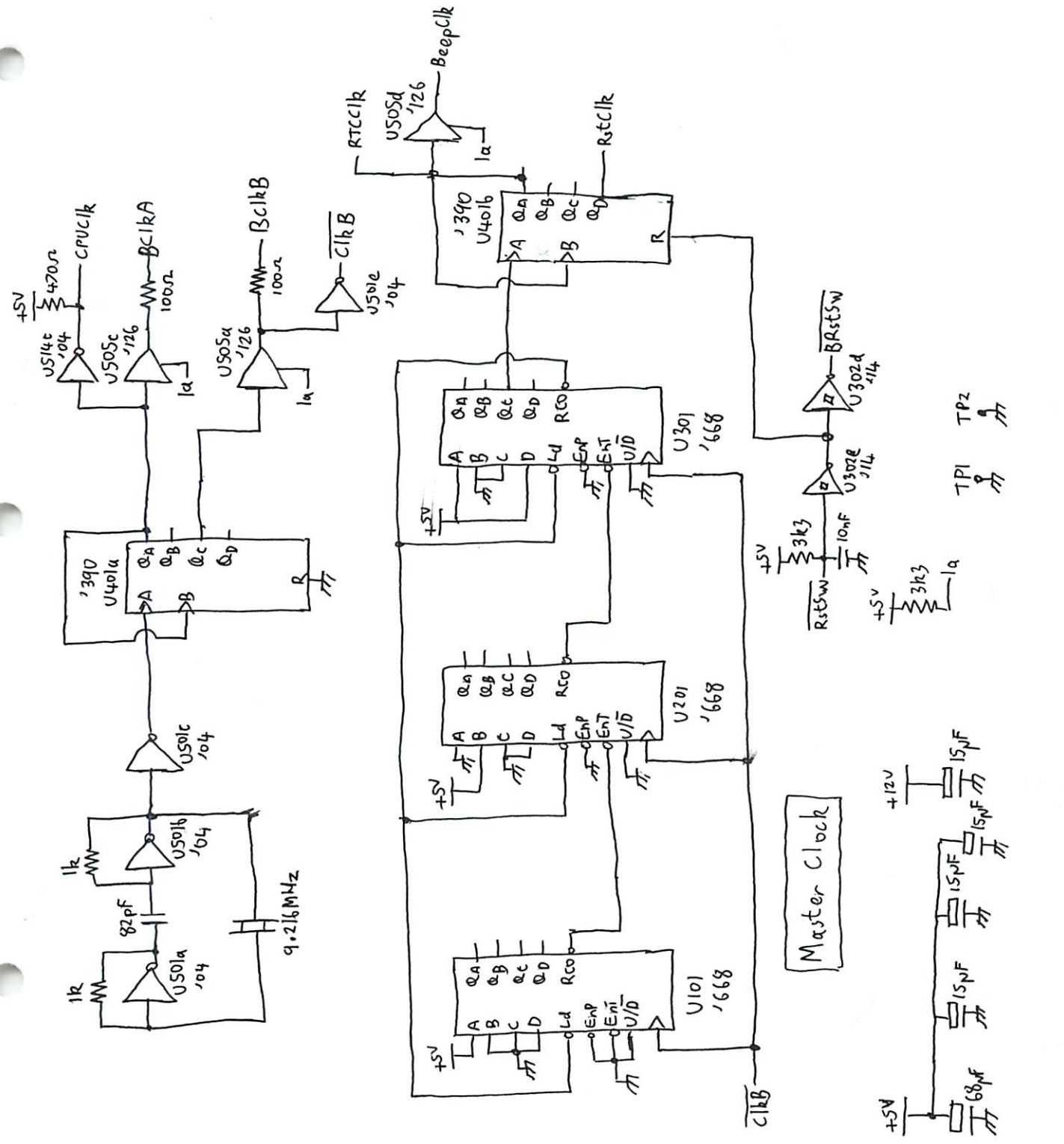
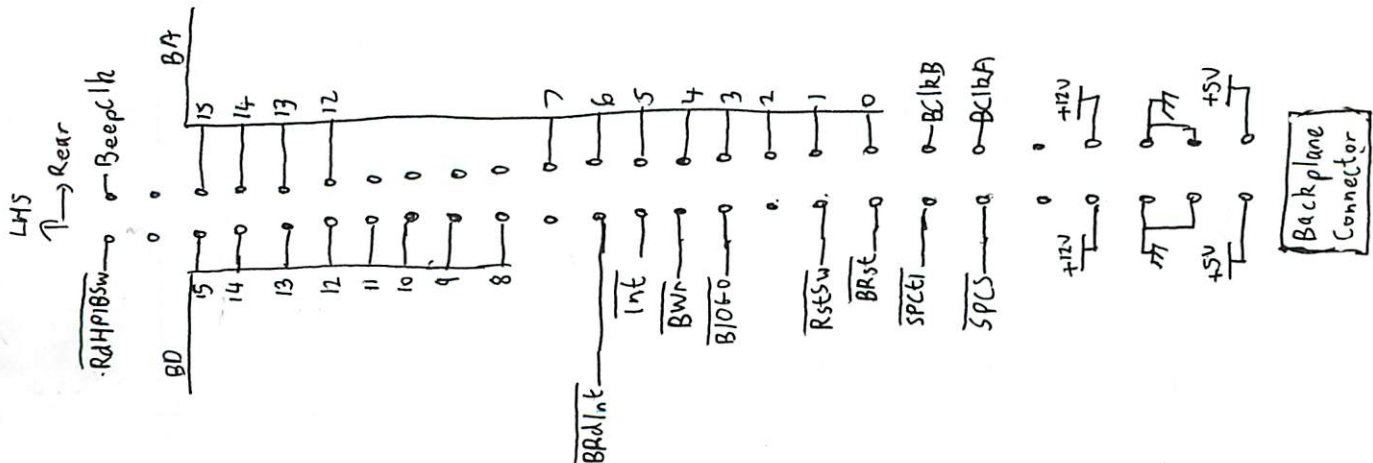


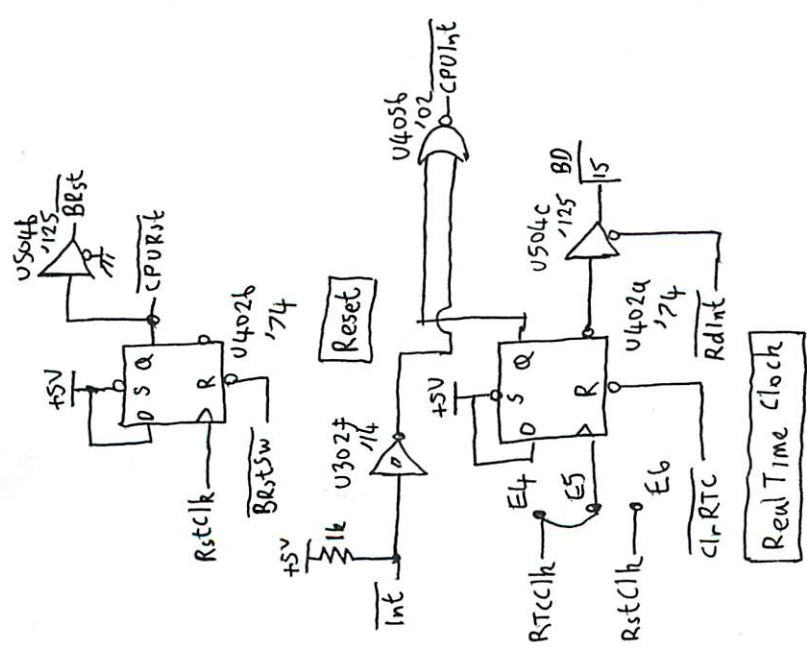
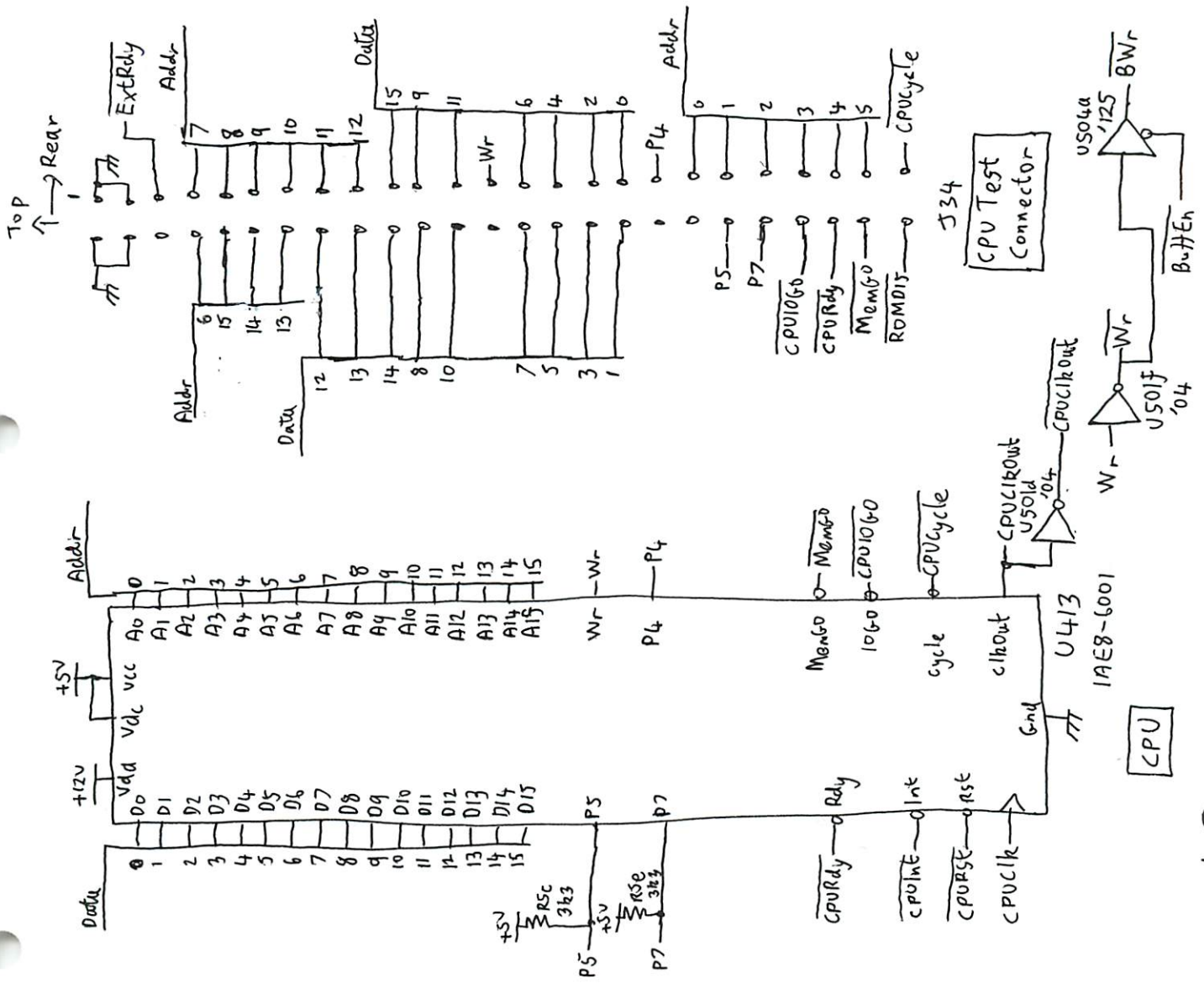
1	sys \overline{str} 1	13	st \overline{ab}	25	D0	37	Tri \overline{y}
2	D \overline{AV}	14	D \overline{MAR}_4	26	D1	38	A \overline{T}_N
3	E \overline{OI}	15	P \overline{ON} (R \overline{st})	27	D8	39	S \overline{RQ}
4	D108	16	W \overline{r}	28	D9	40	N \overline{RFD}
5	D107	17	I \overline{nt}	29	D10	41	N \overline{DAC}
6	D106	18	I \overline{OEnd}	30	D11	42	R \overline{EN}
7	D105	19	I \overline{OGD}	31	D12	43	I \overline{FC}
8	D104	20	A15	32	D13	44	C \overline{IC}
9	D103	21	A14	33	D14	45	M \overline{SE}
10	D102	22	A13	34	D15	46	D \overline{EE}
11	D101	23	C \overline{S}	35	R \overline{TL}	47	D10E
12	V \overline{dd} (+12V)	24	V \overline{Dc} (+5V)	36	G \overline{nd}	48	V \overline{CC} (+5V)

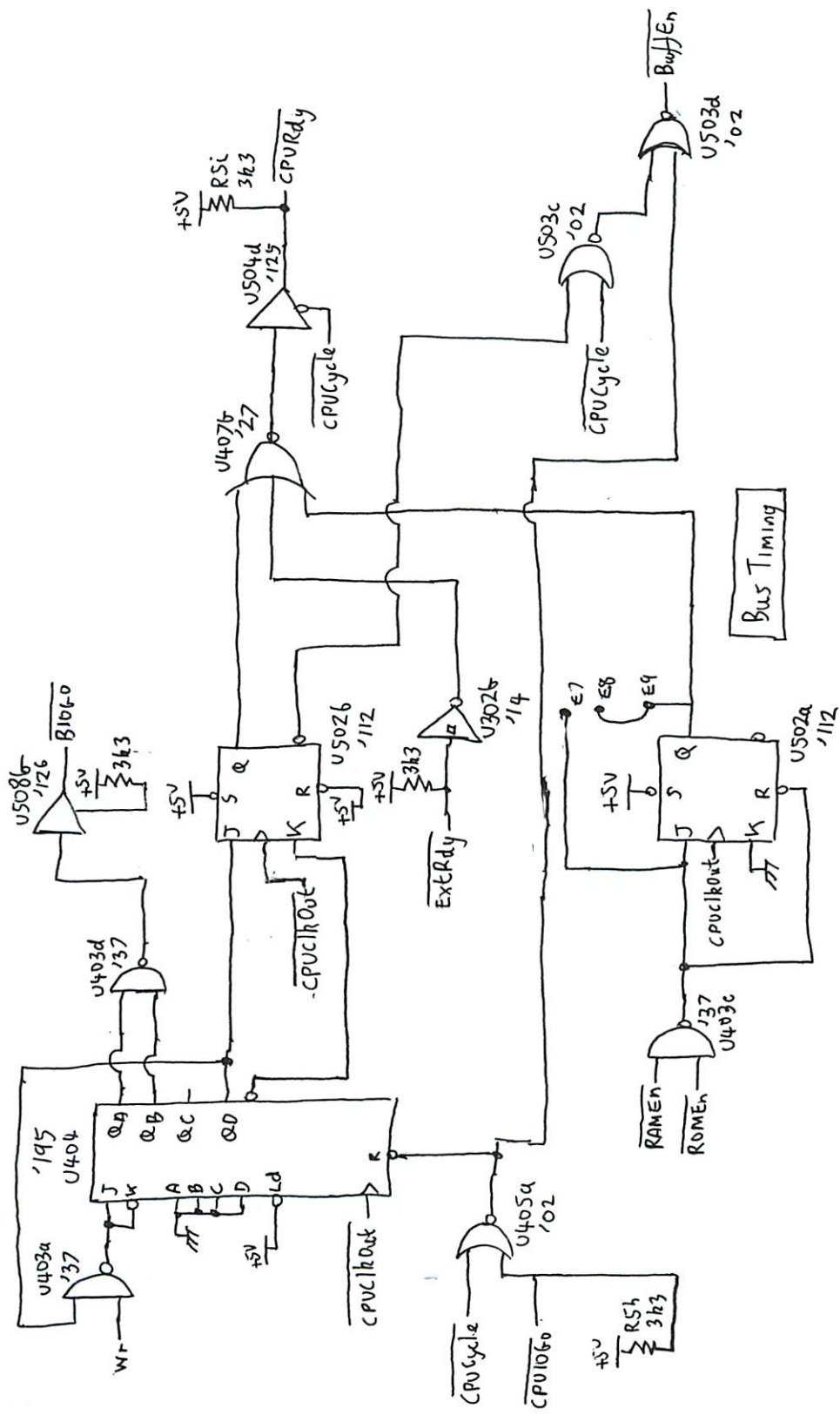
HP 2631B Wiring

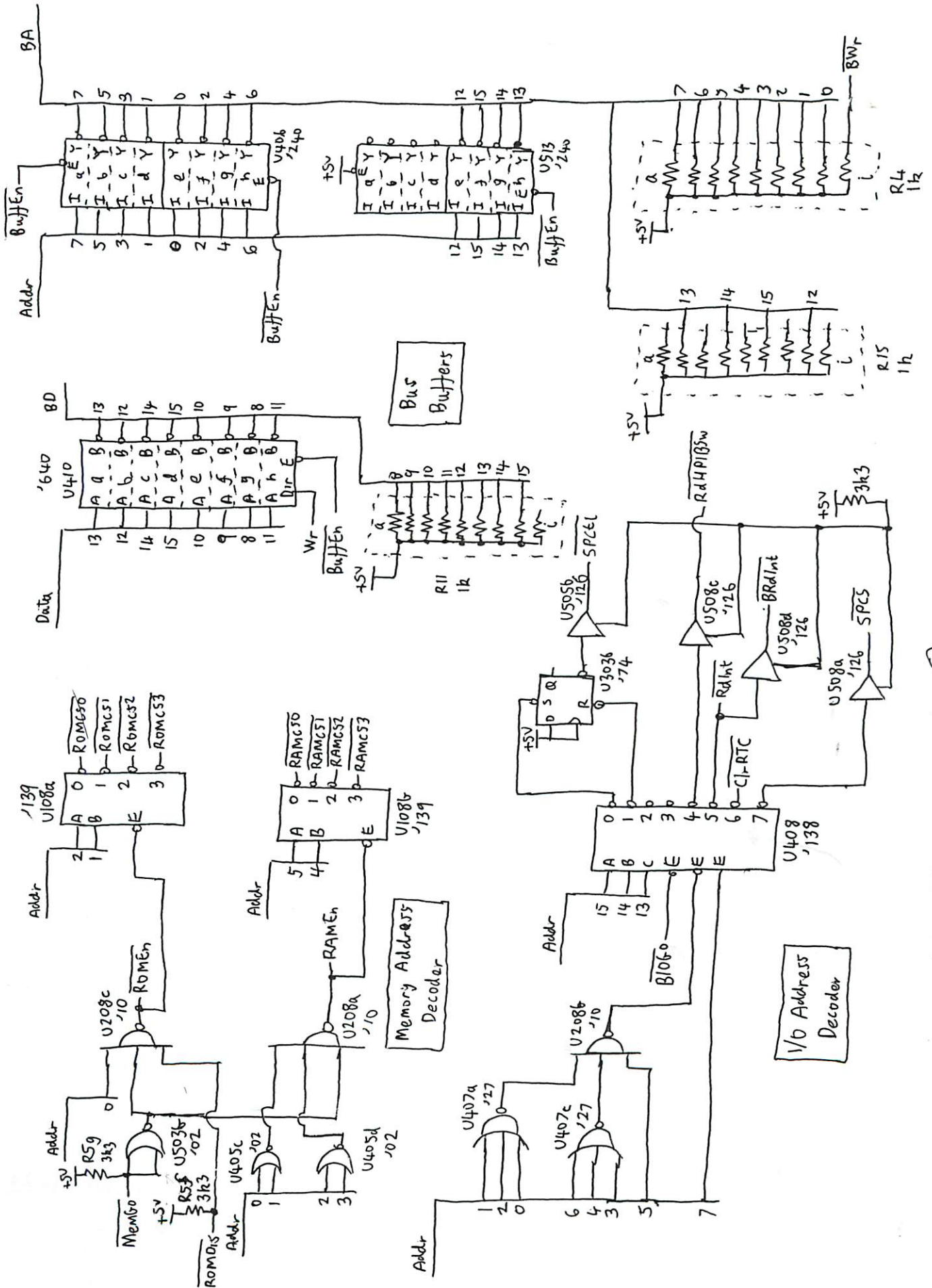
MAINS Input Module (Rear View)

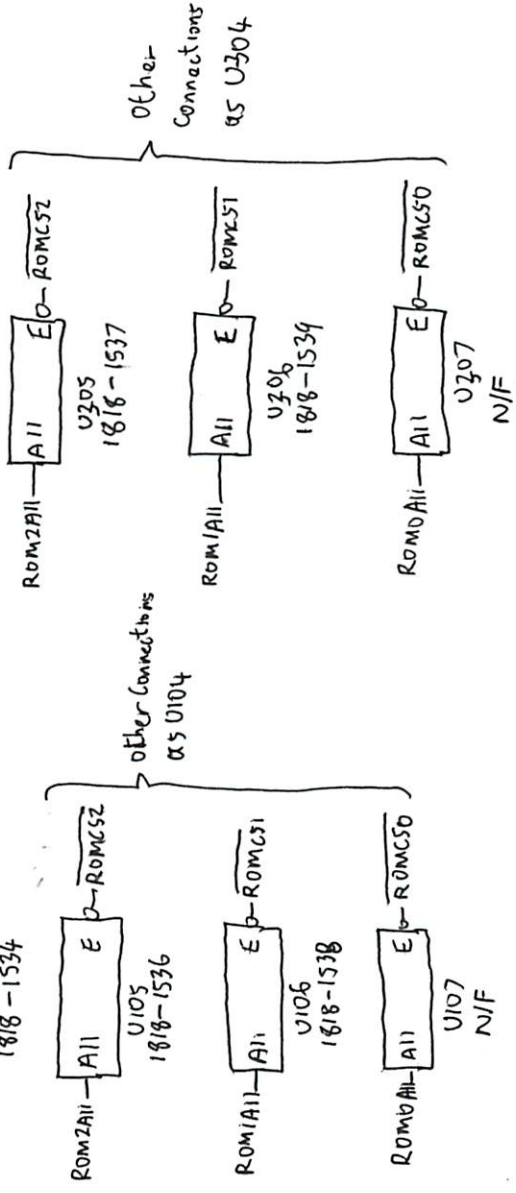
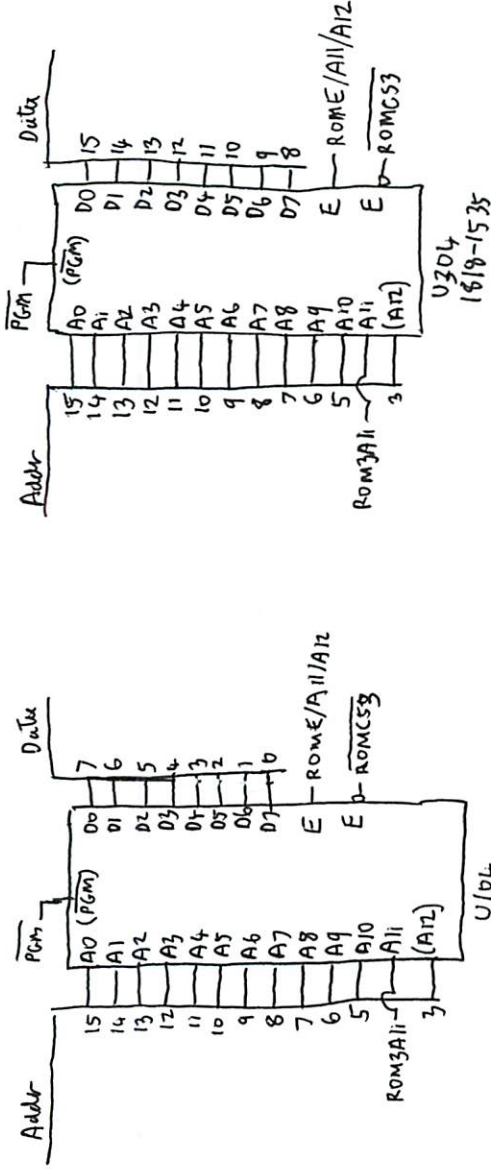
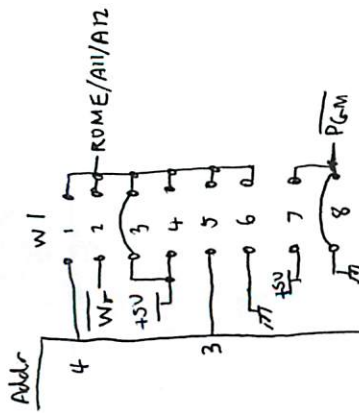




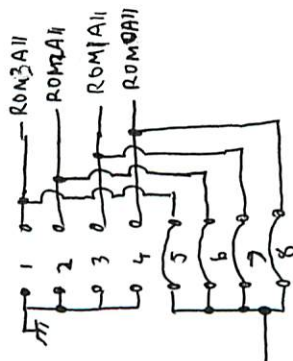




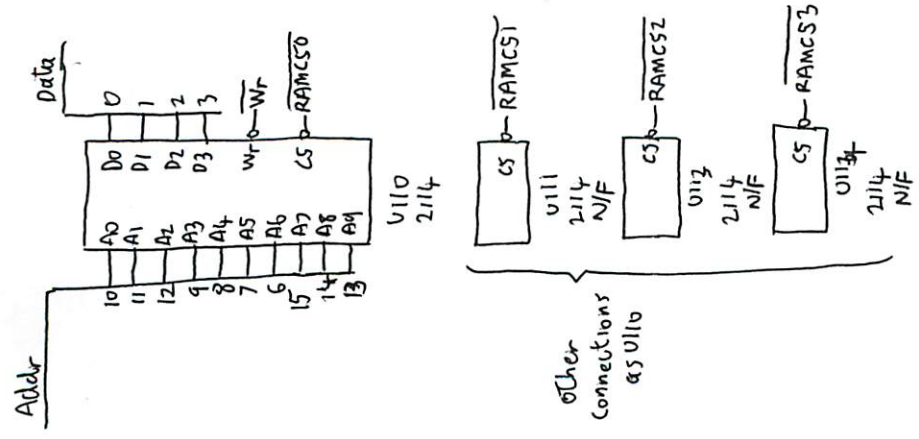
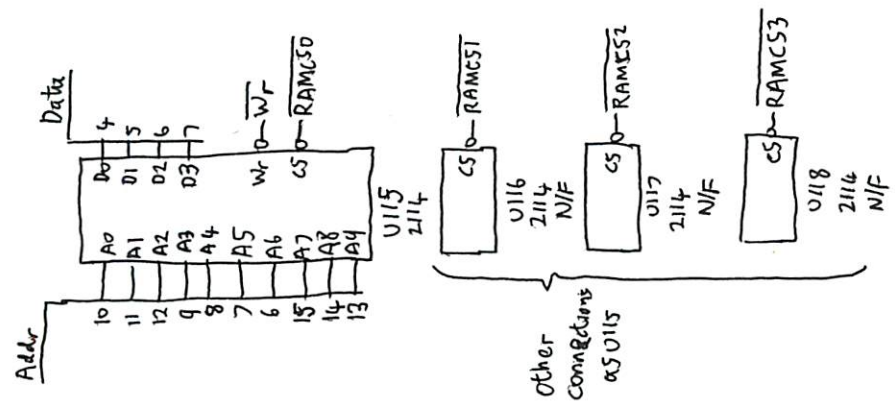
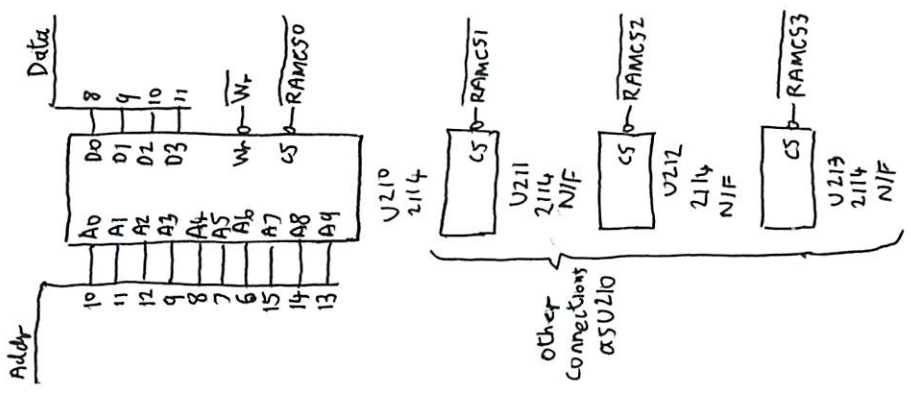
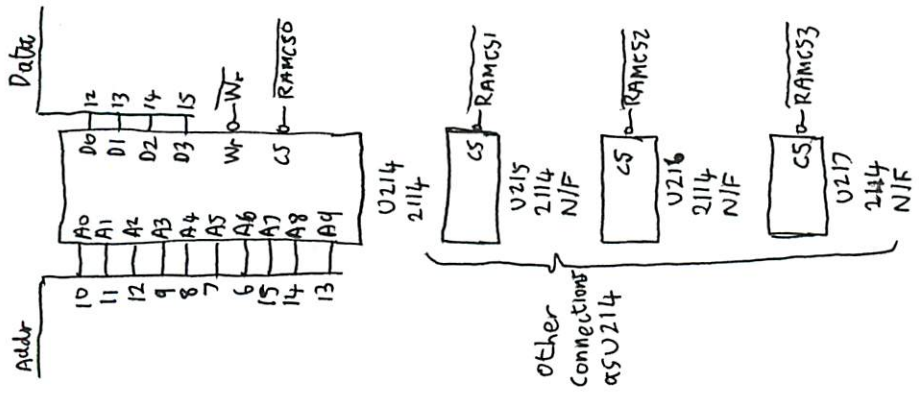




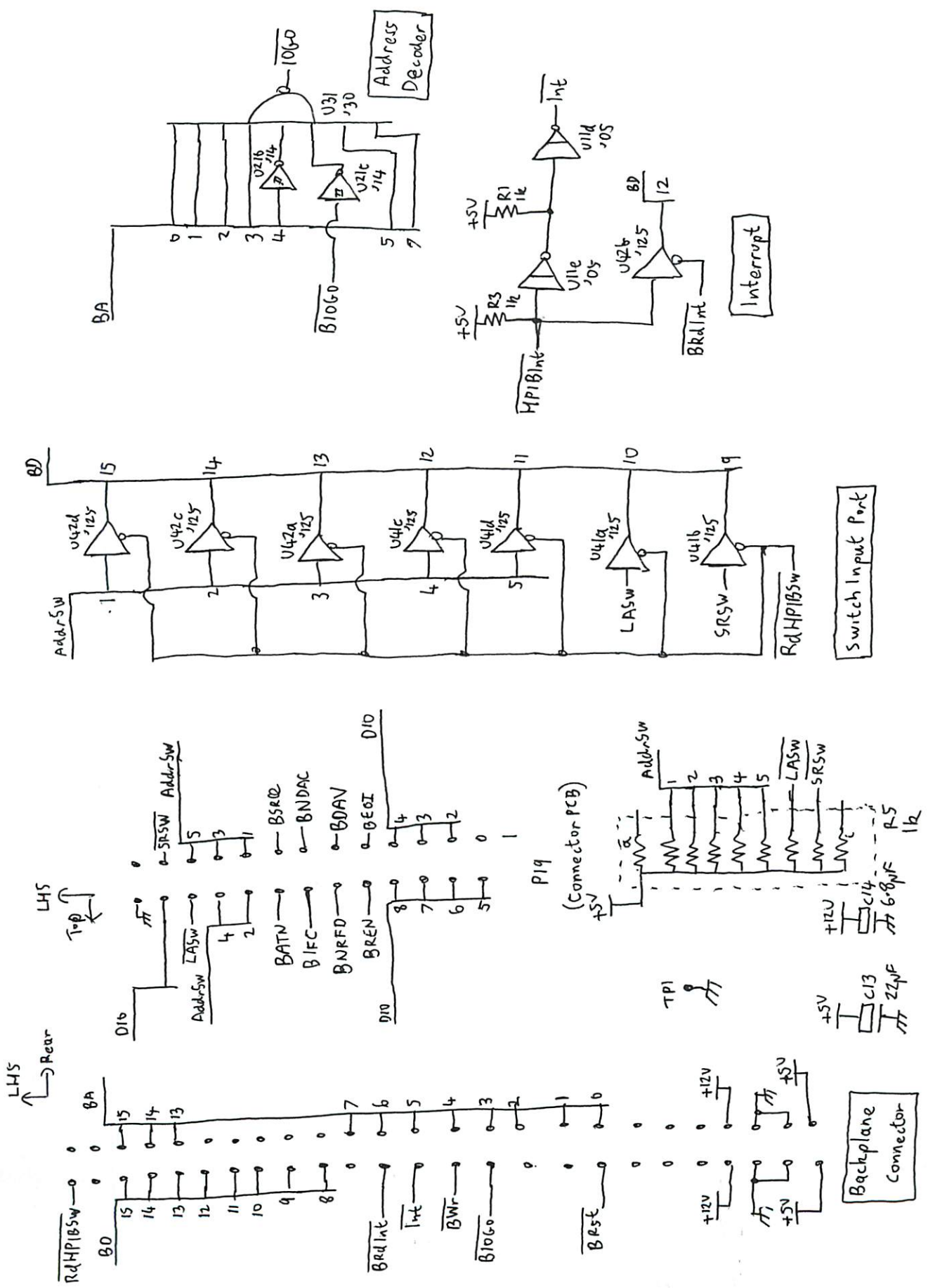
ROM

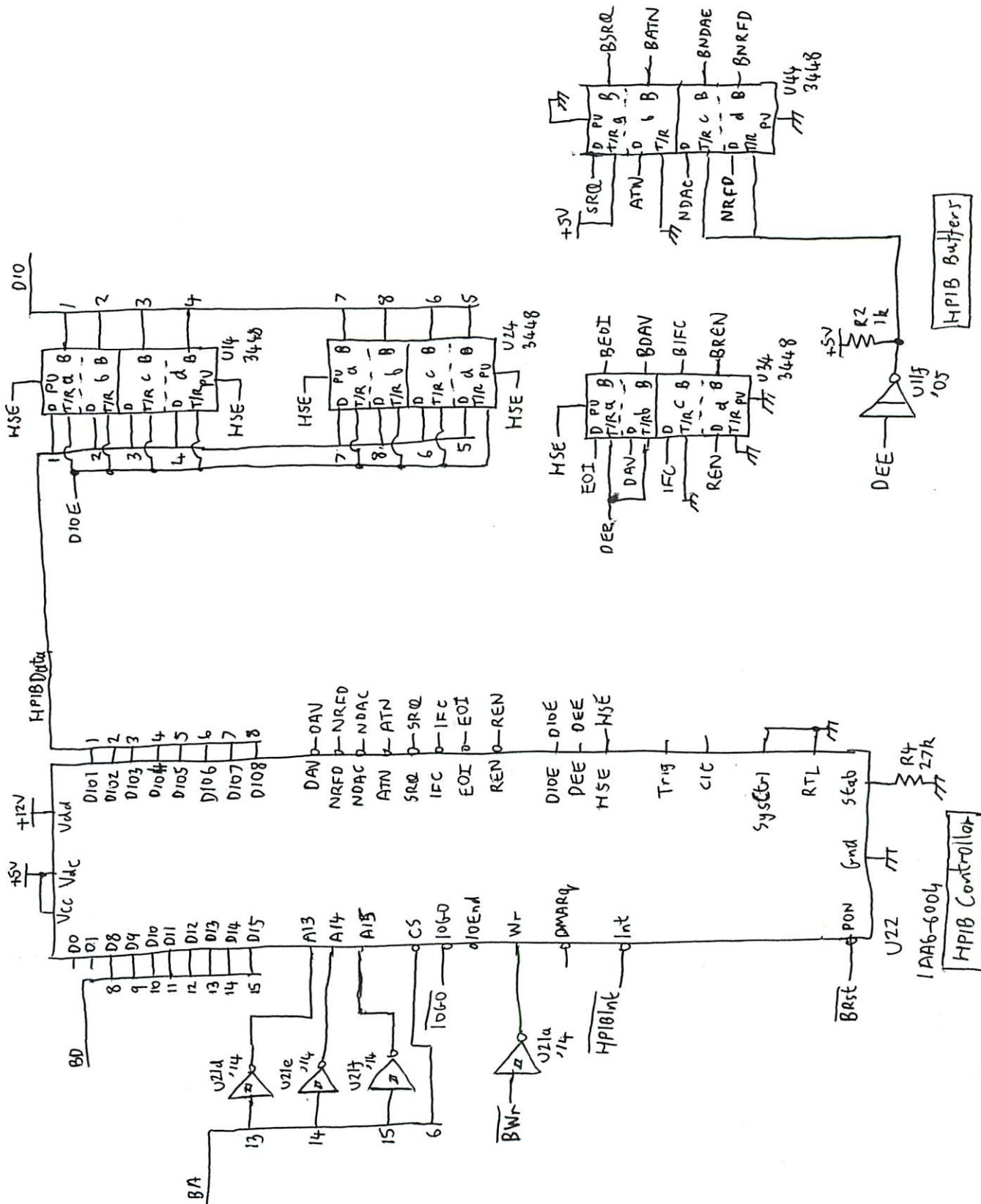


All ROMs: Pinouts as 2332A. By suitable jumpers at w1, w2, 2352B, 2732, 2364A, 2364B, 2764 can be used



RAM

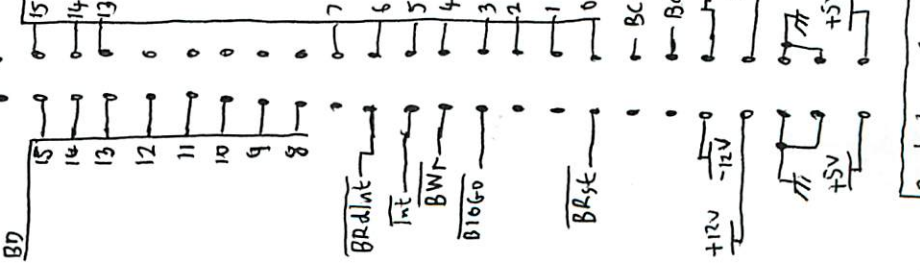
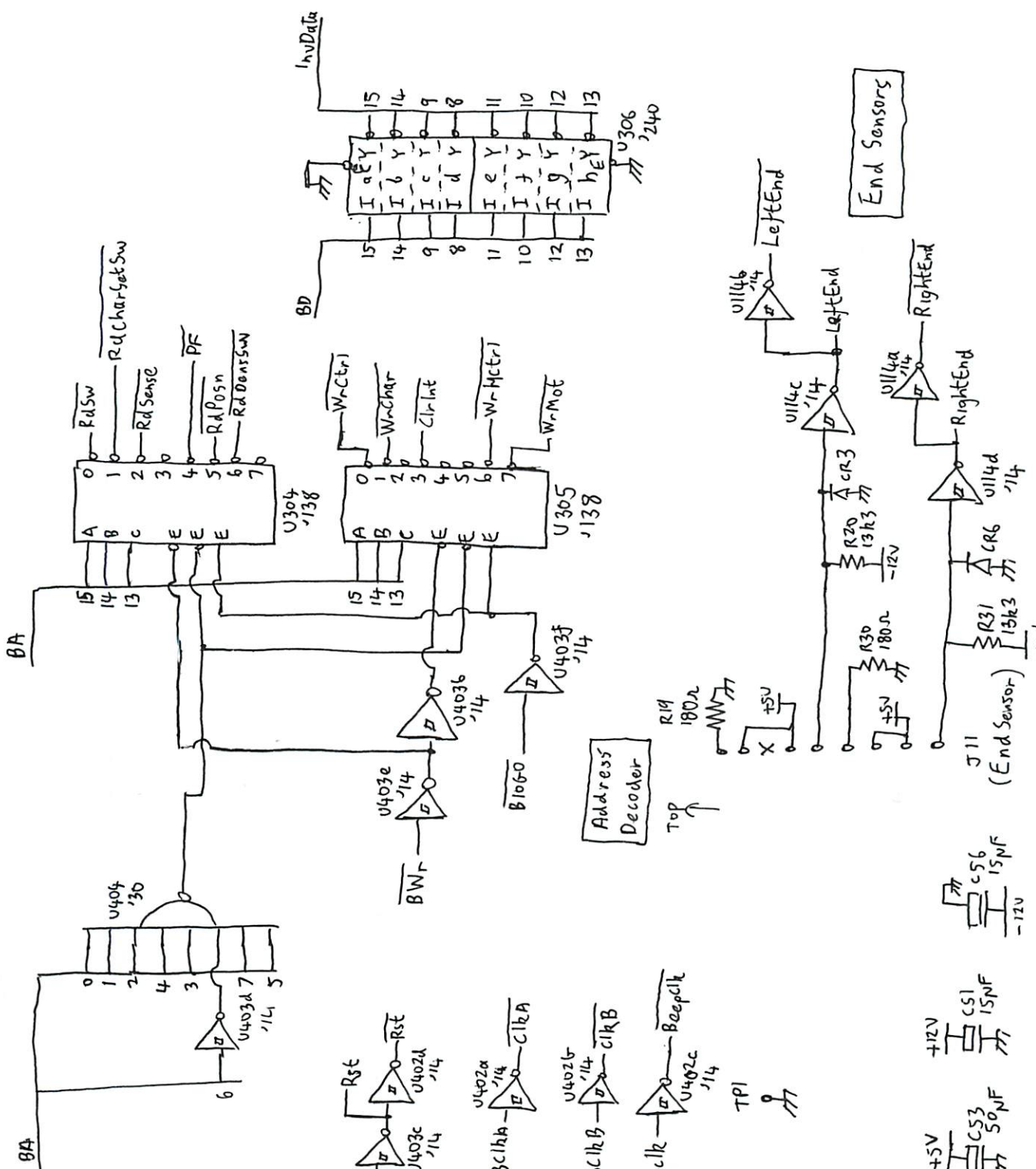
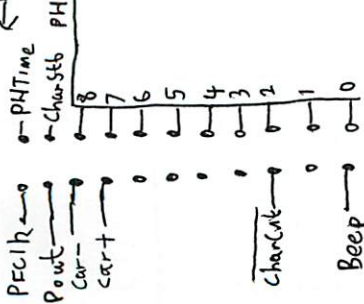




02631-60226

HP2631B HP1B PCB Sheet 2

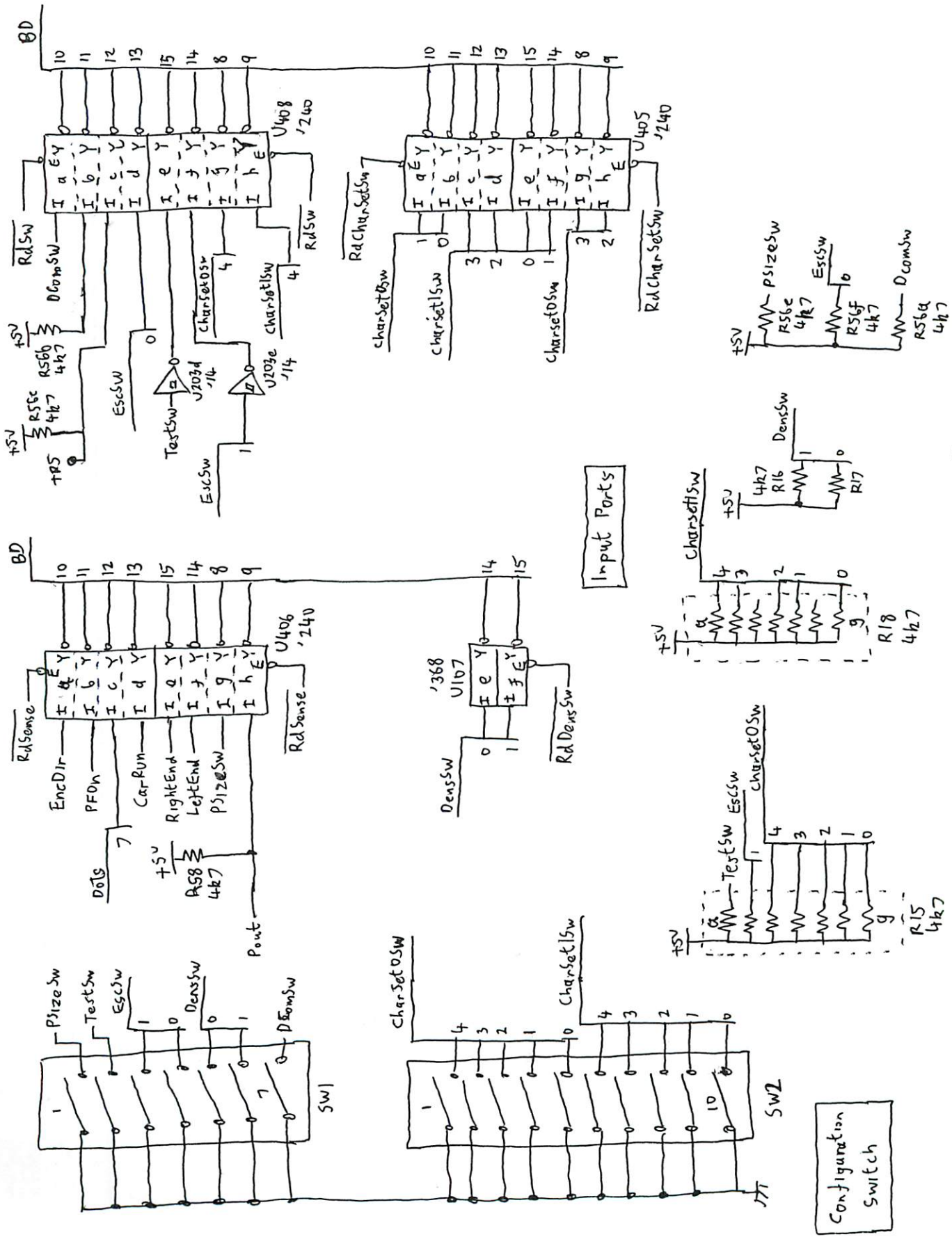
LHS
Front



End Sensors

Address Decoder
TOP

Backplane Connector



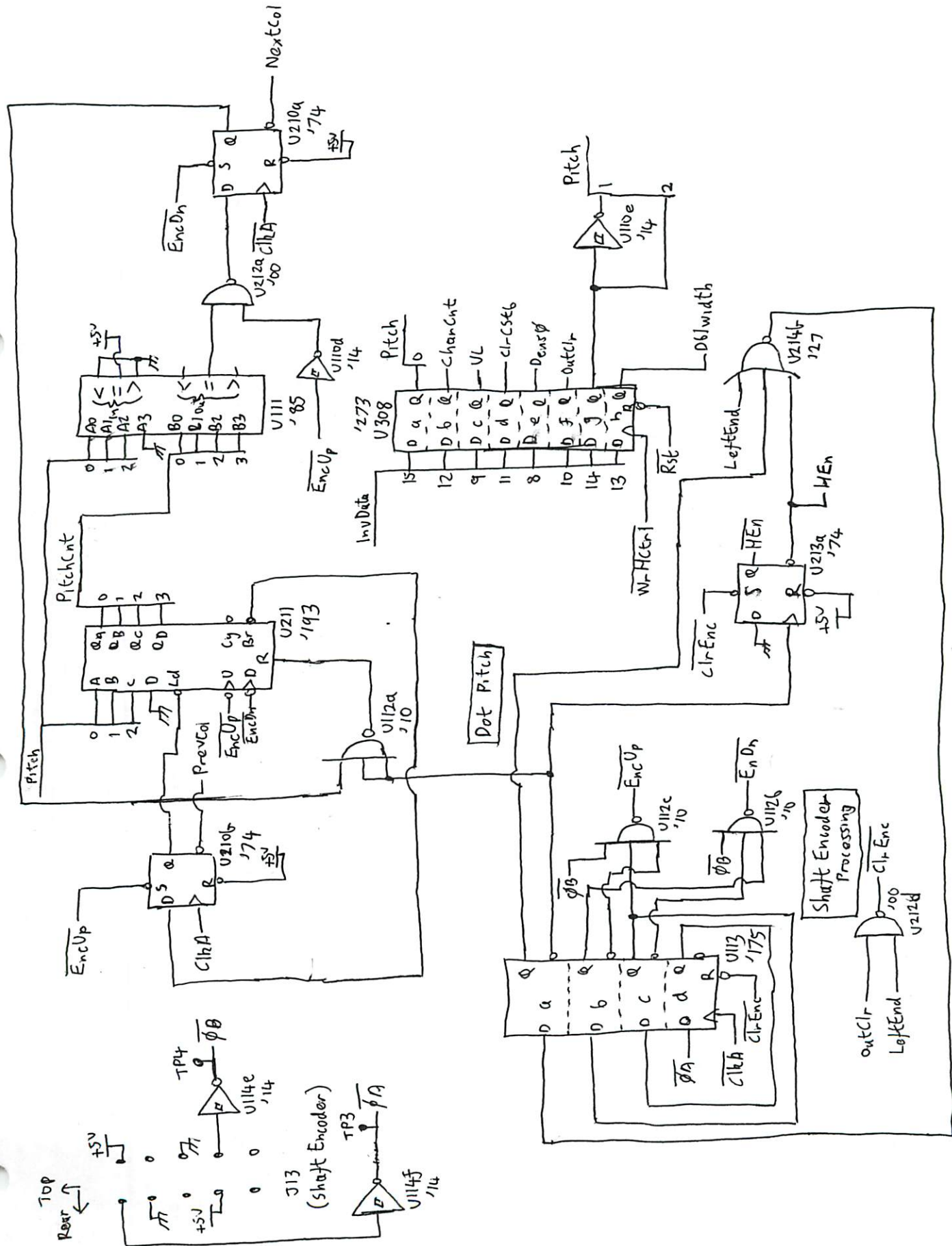
02631-66601

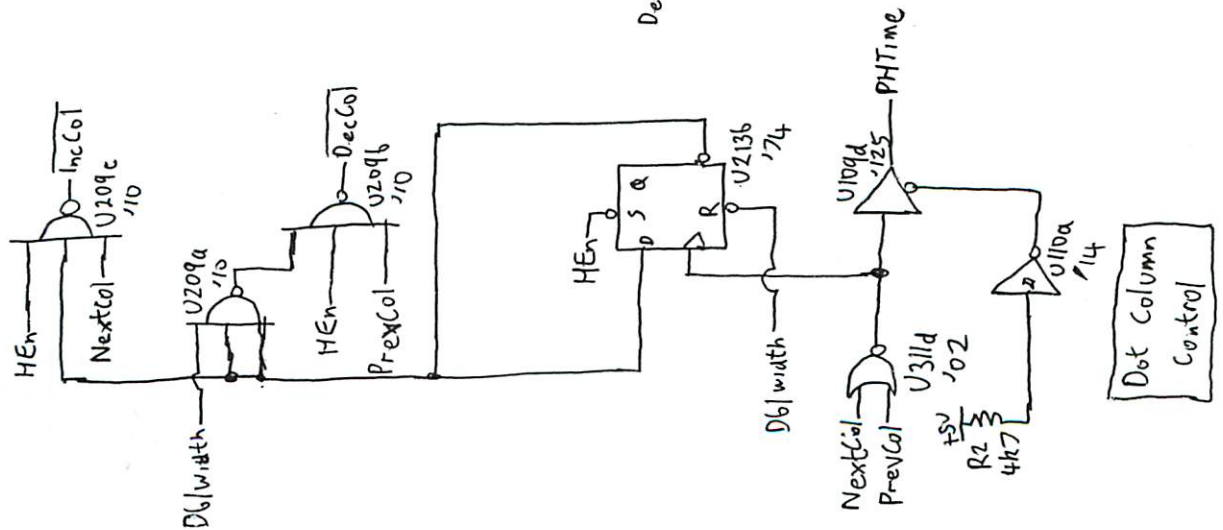
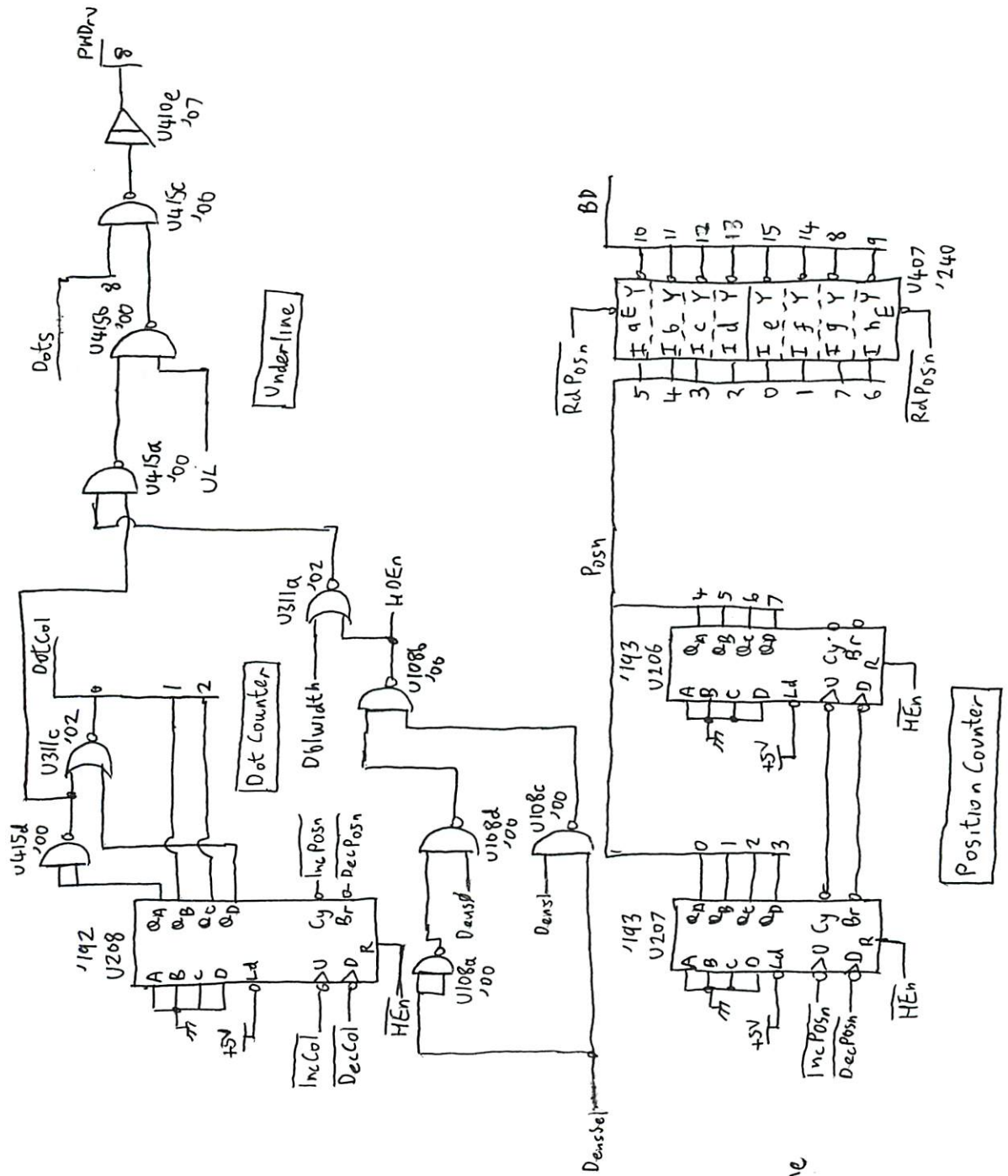
Sheet 2

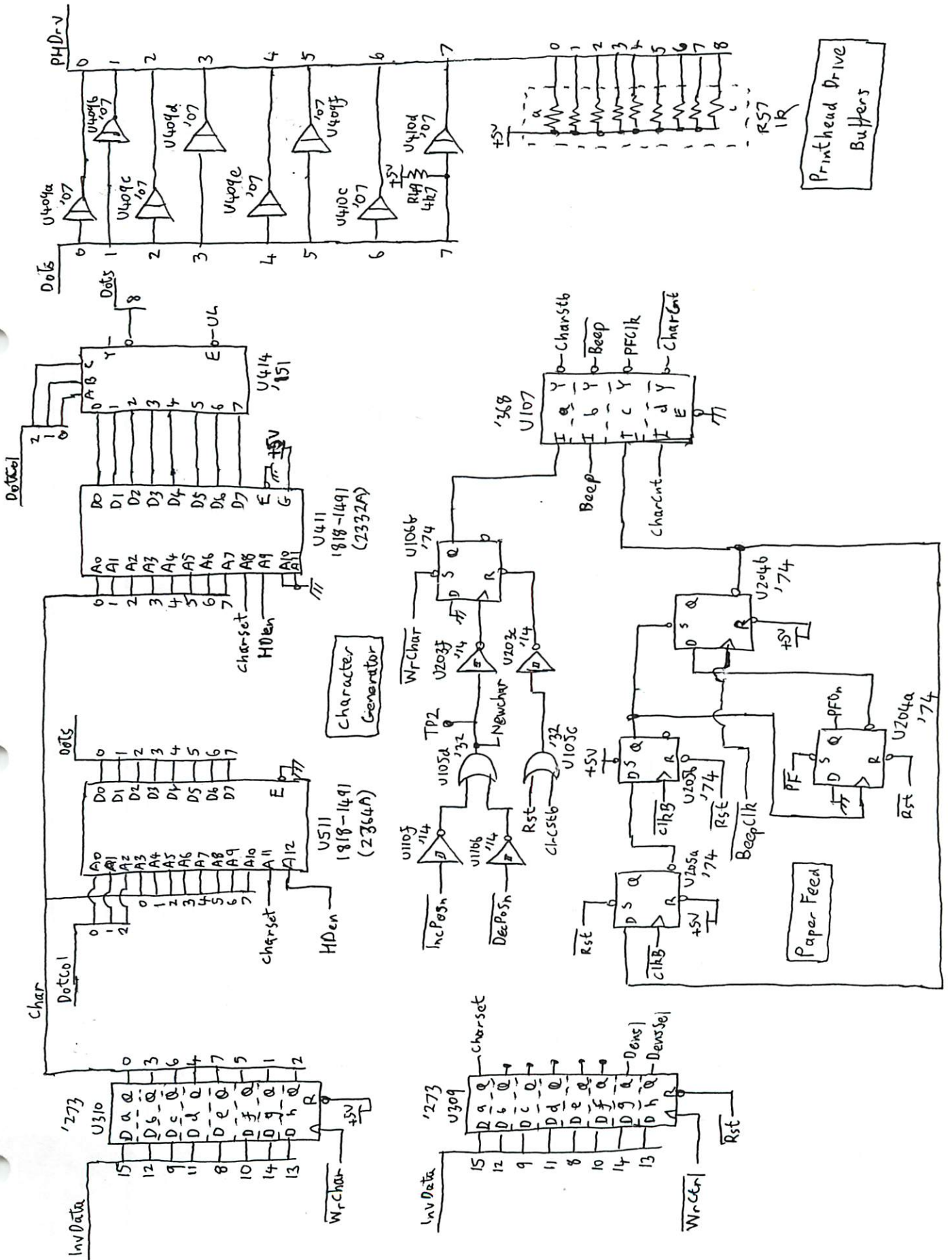
Printer Logic PCB

HP2631B

Configuration Switch



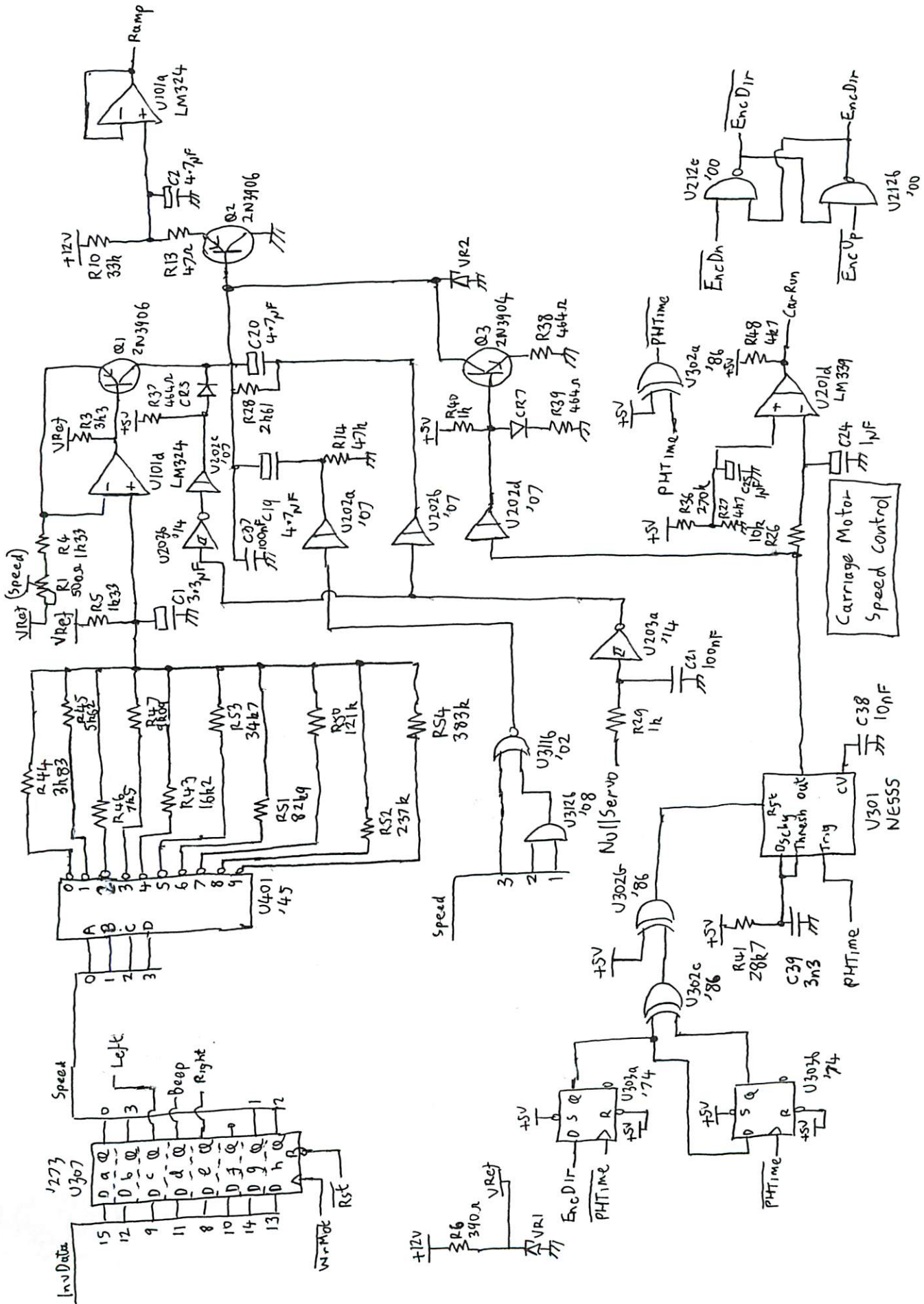


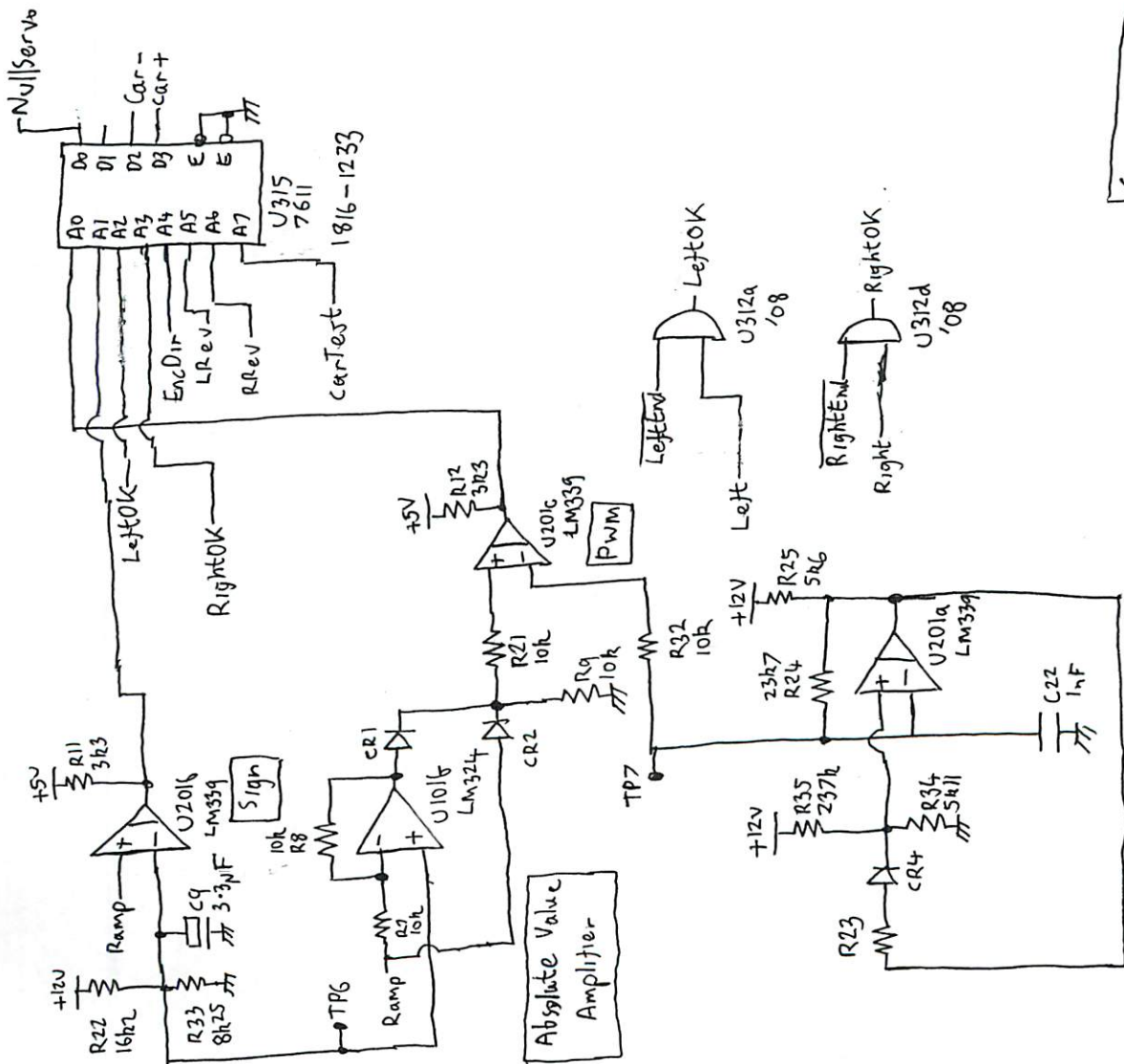
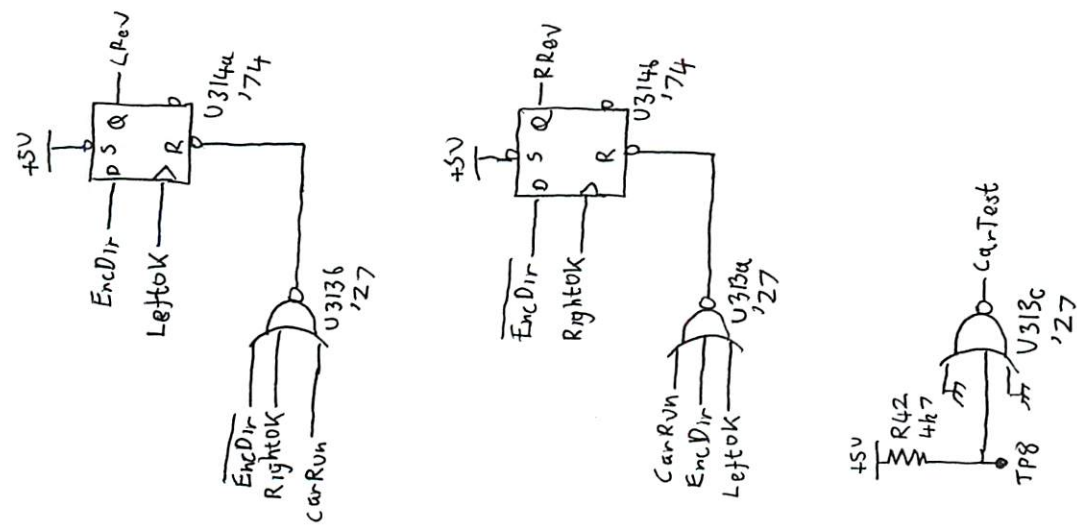


02631-60601

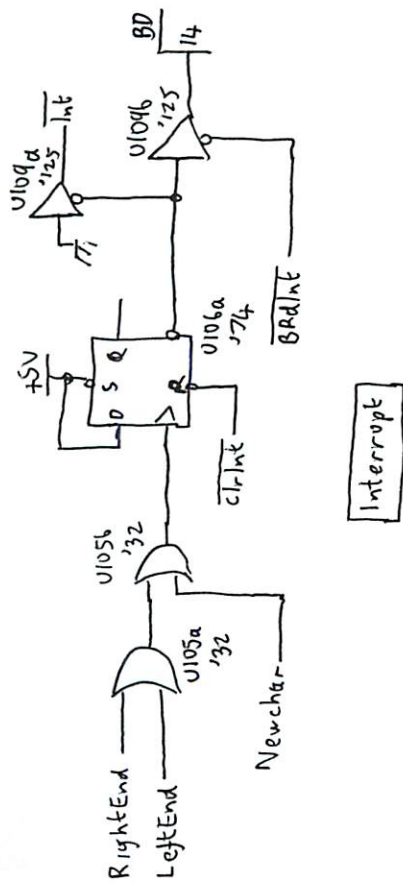
HP2631B P-Inter Logic PCB Sheet 5

02631-60601





Carriage Motor Control

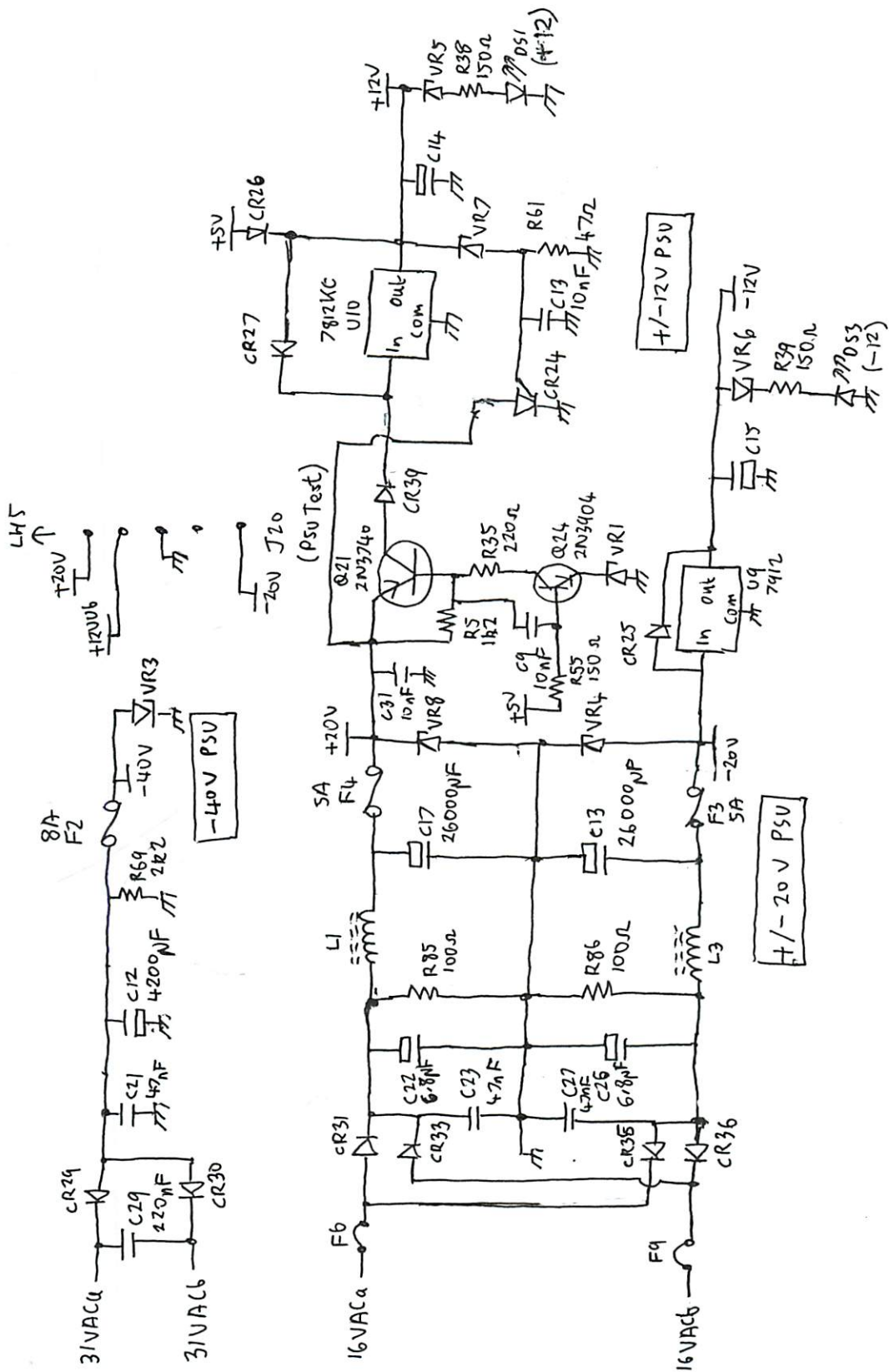


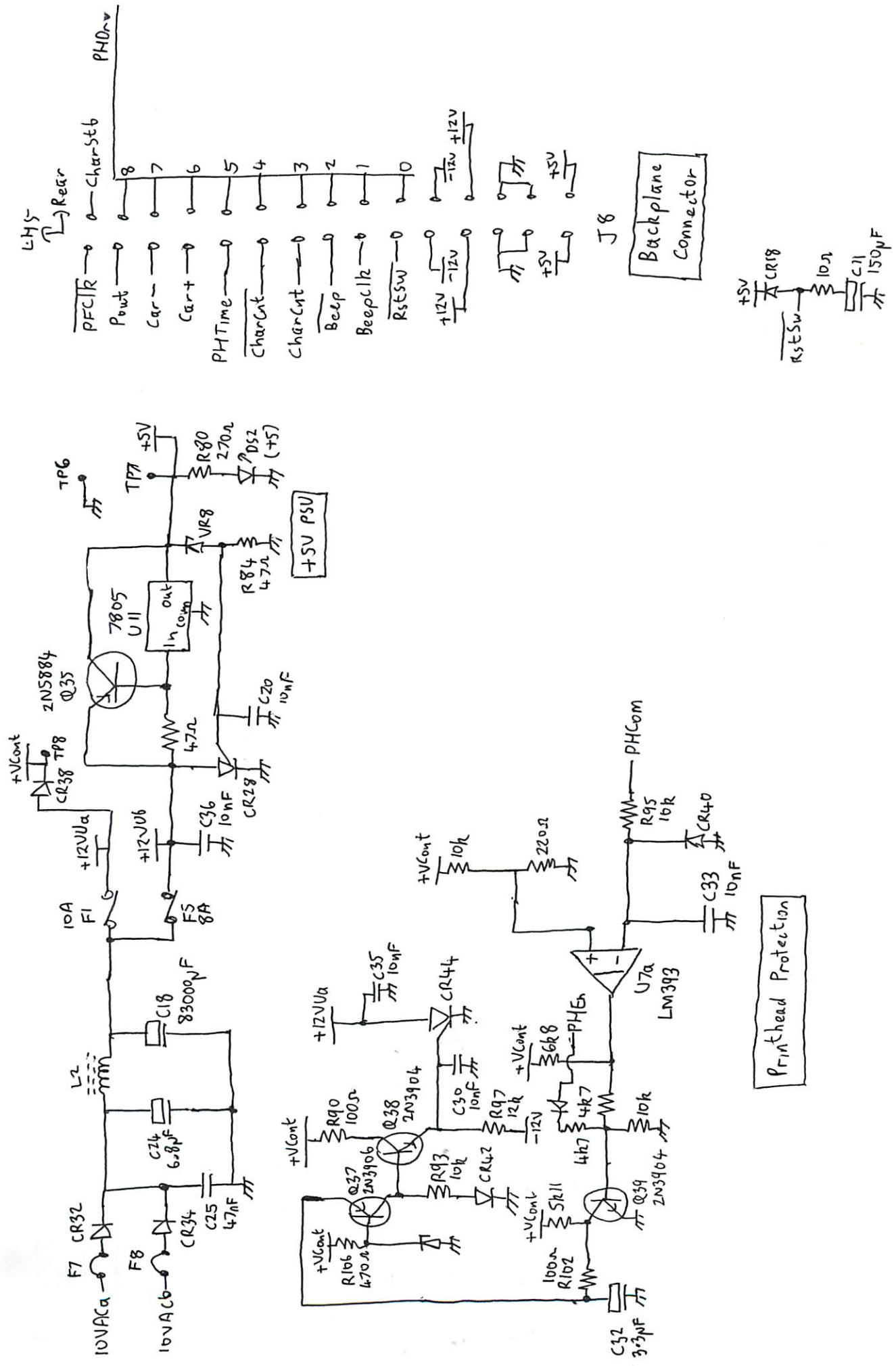
Interrupt

LMS ↑

- o-31VACa
- o-16VACa
- o-10VACa
- o-10VACb
- o-16VACb
- o-31VACb

J10 (Transformer)

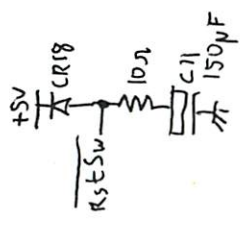
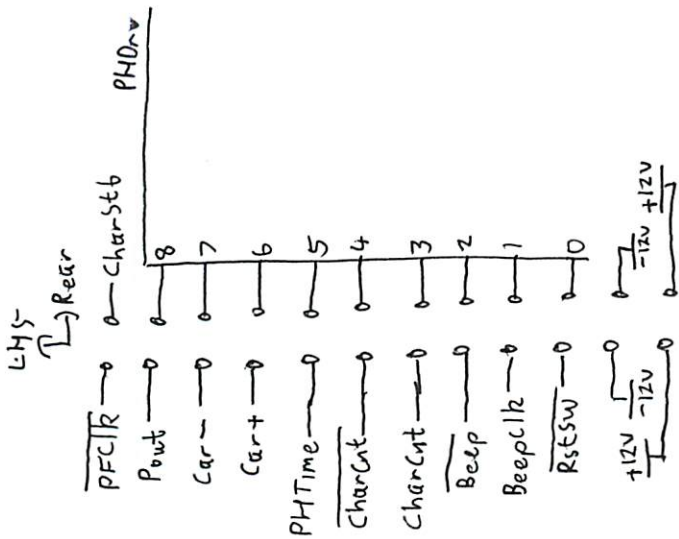


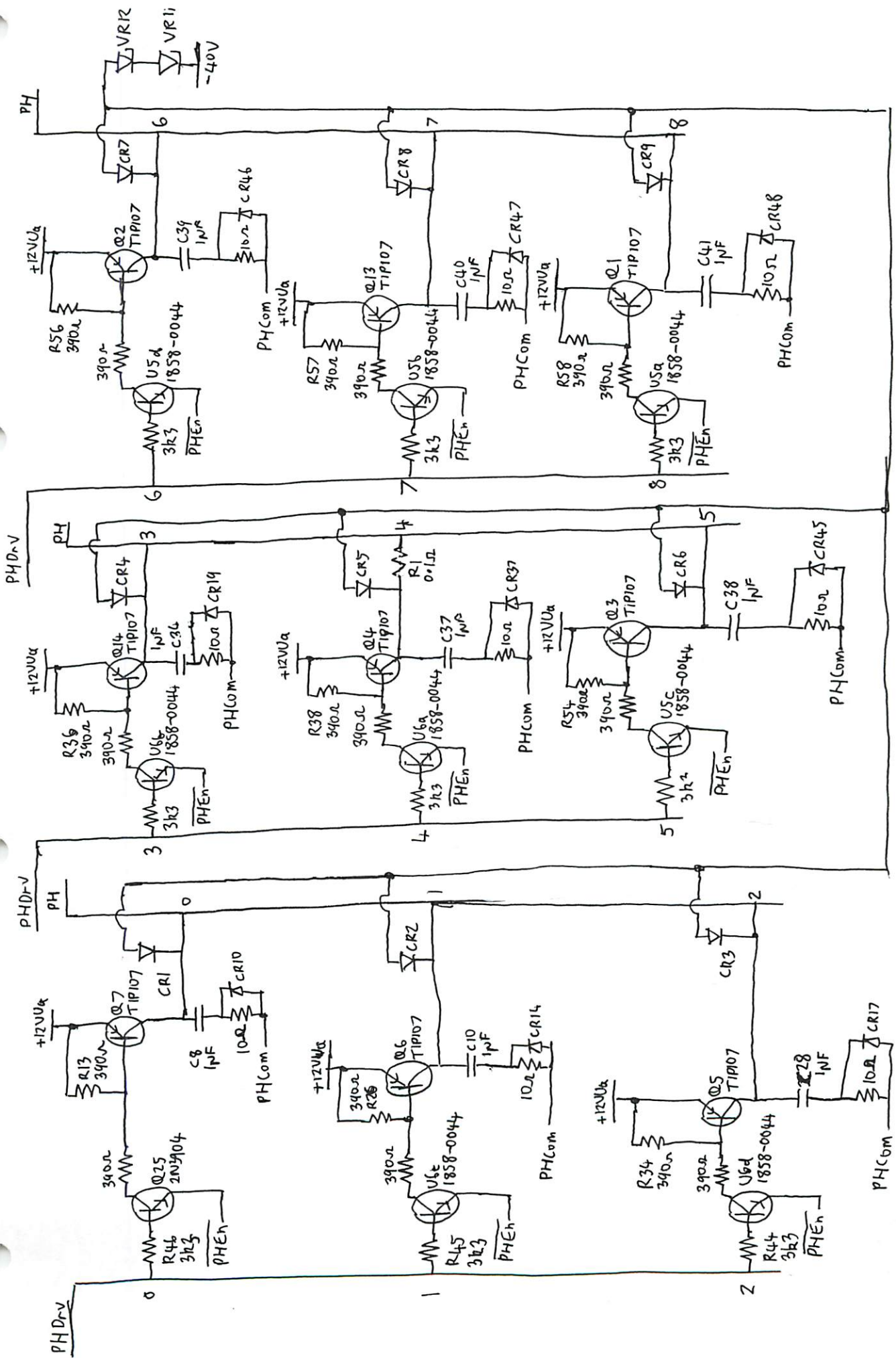


Printhead Protection

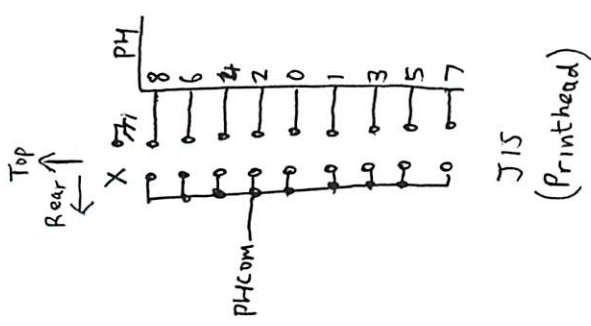
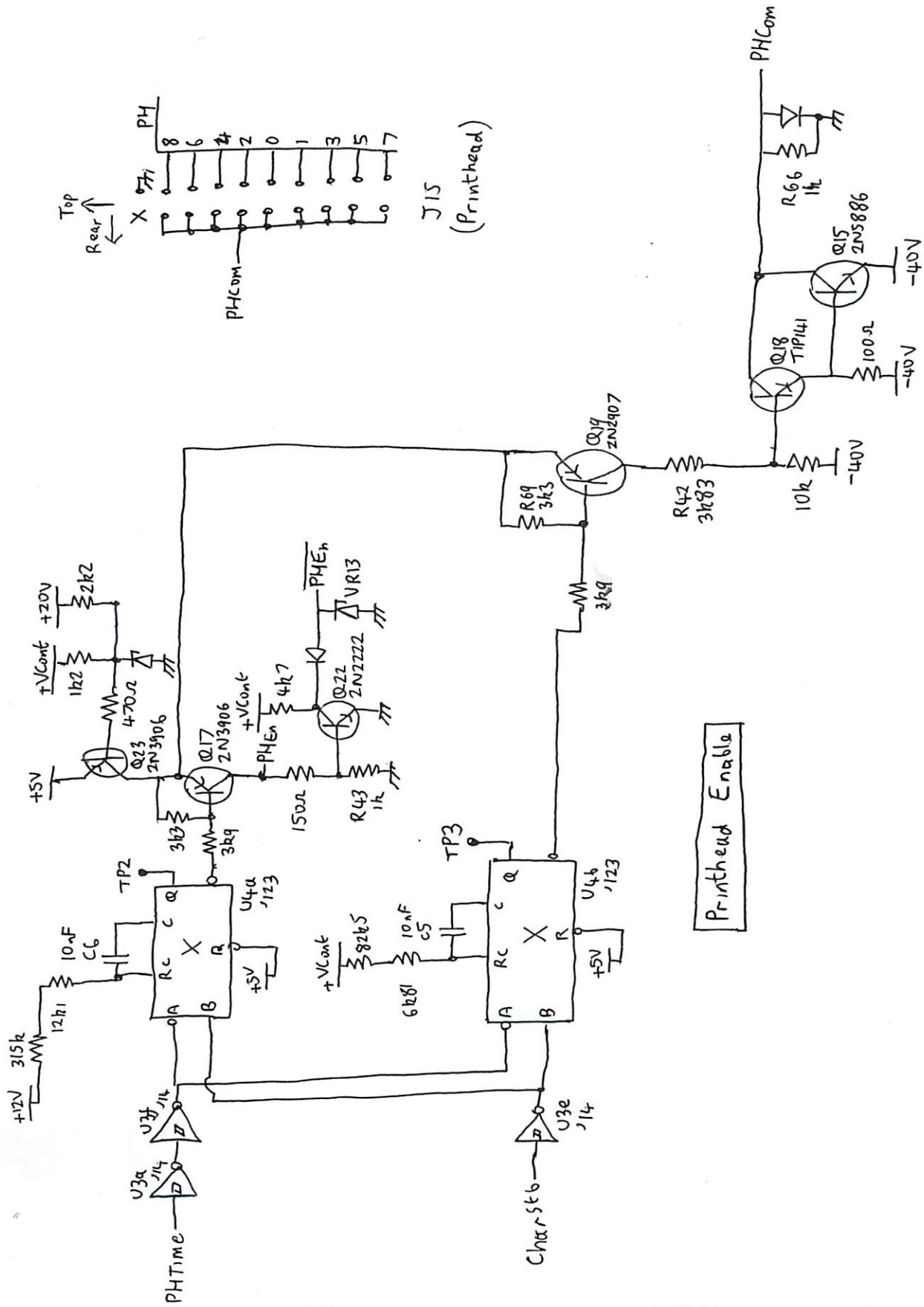
Backplane Connector

J8

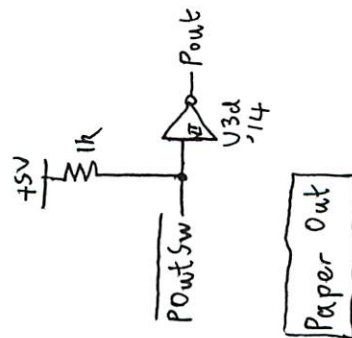
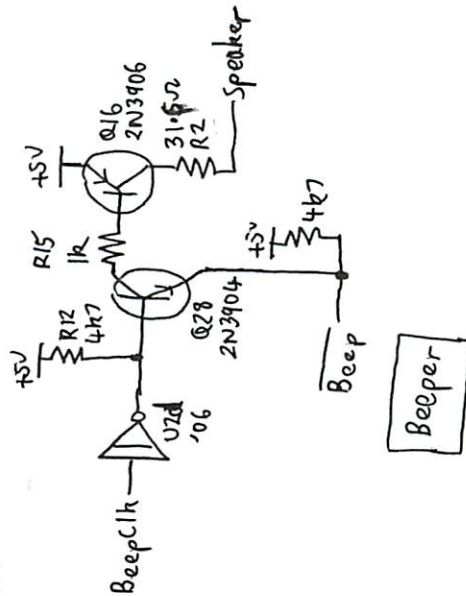
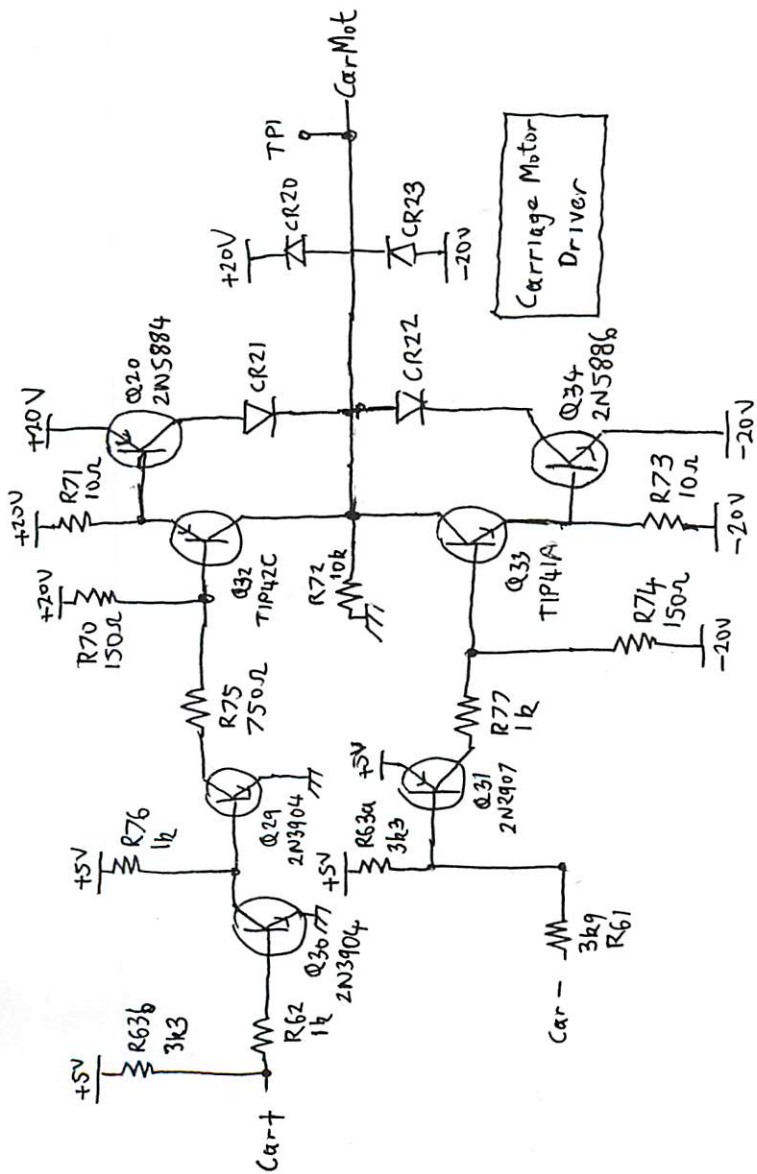
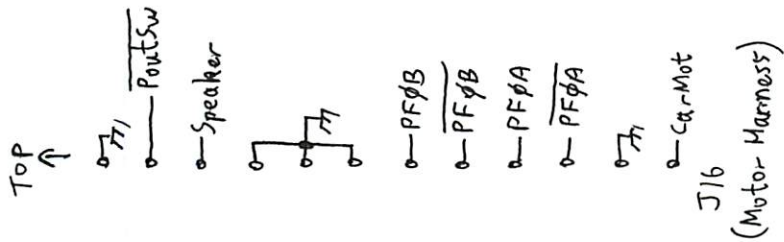


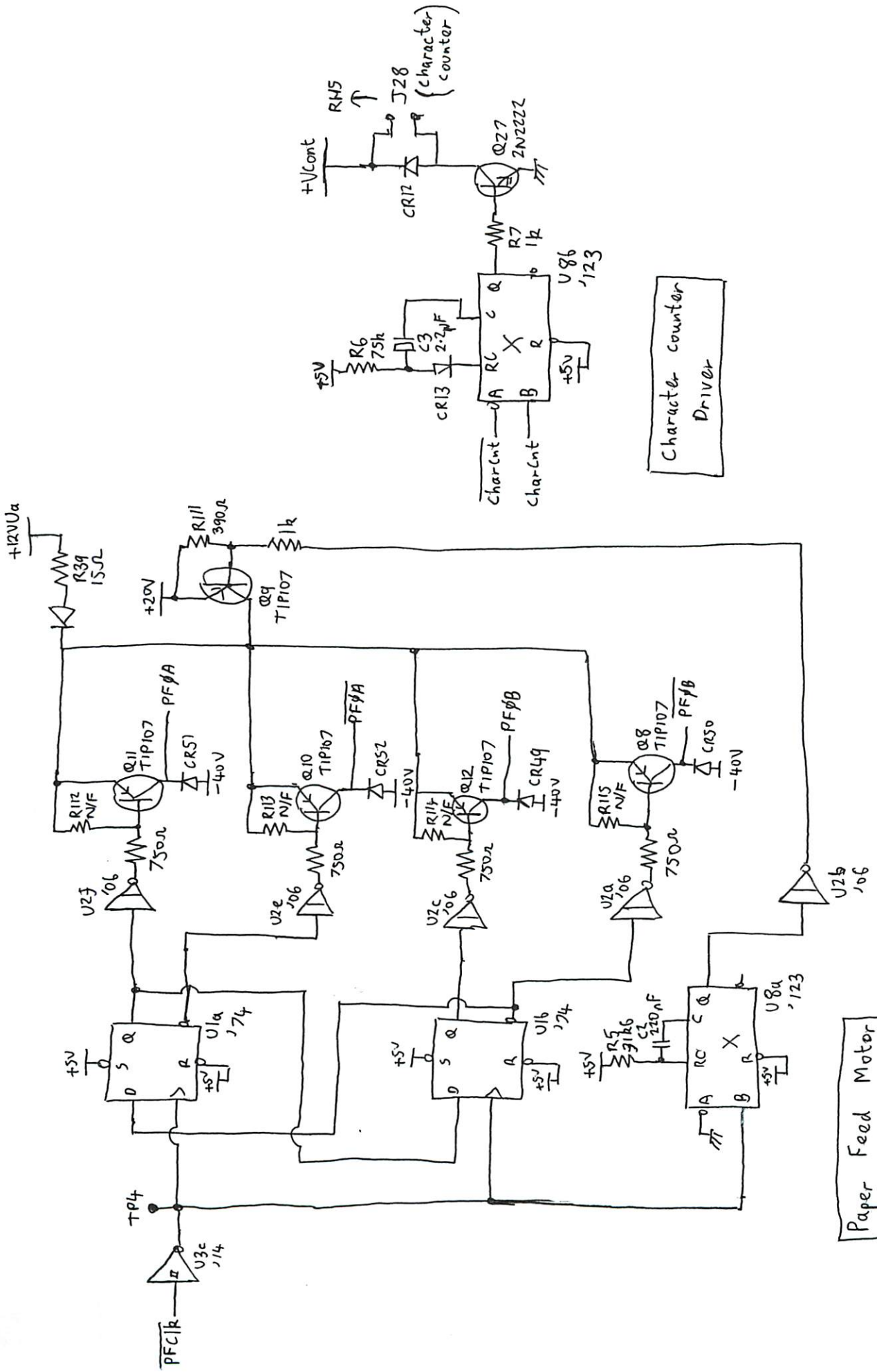


Printed Driver



Printhead Enable



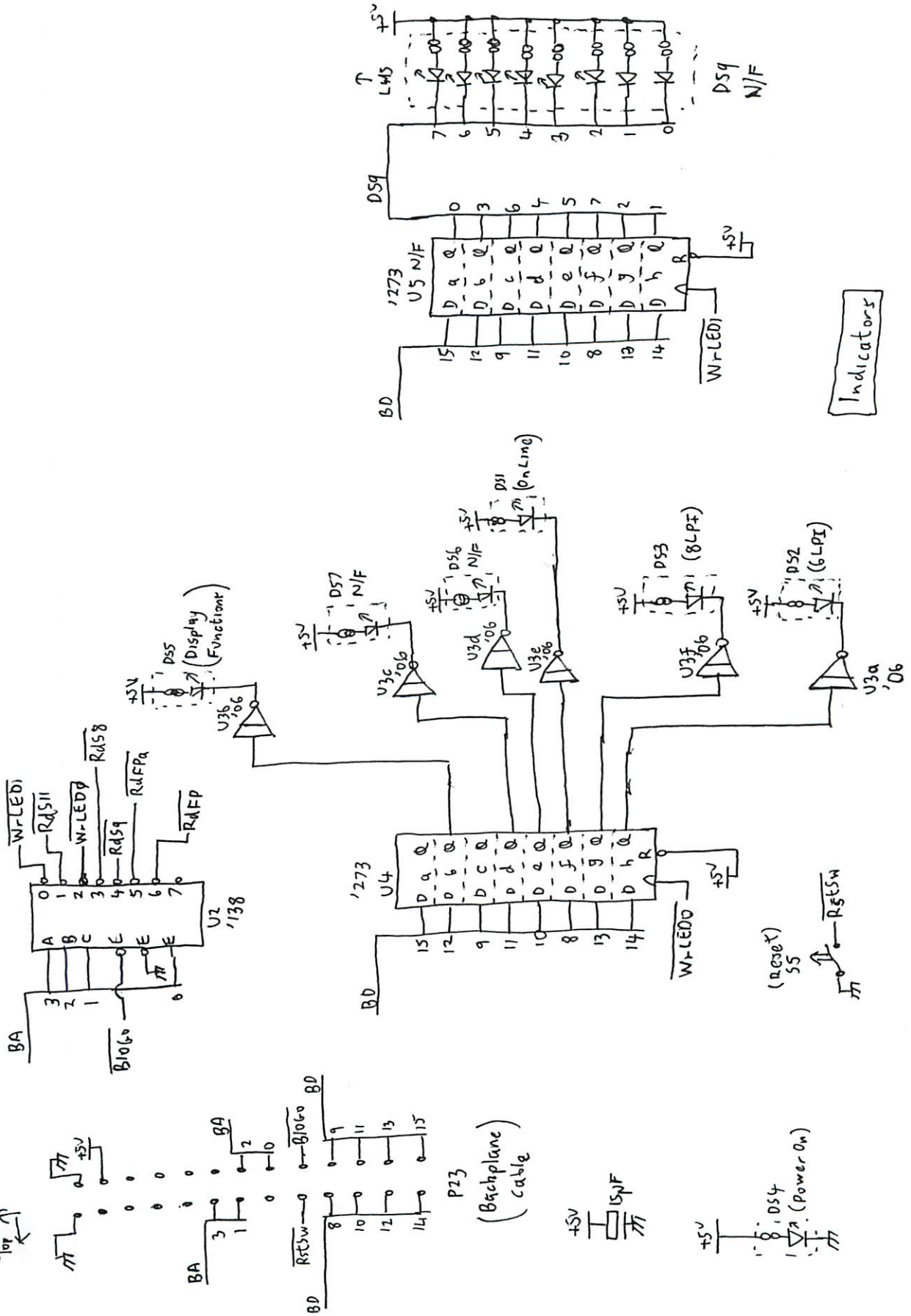


Paper Feed Motor Driver

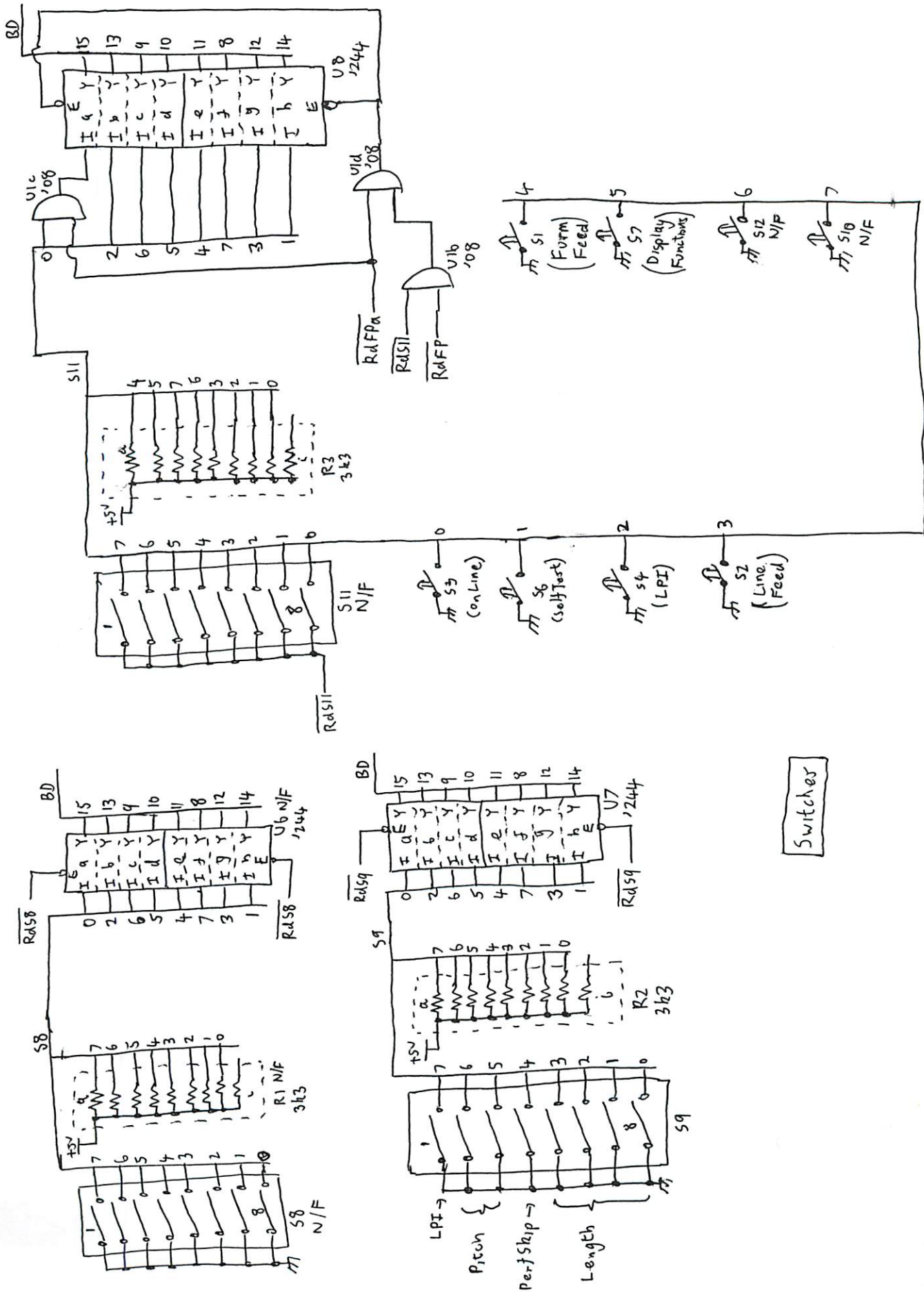
Character Counter Driver

LMS

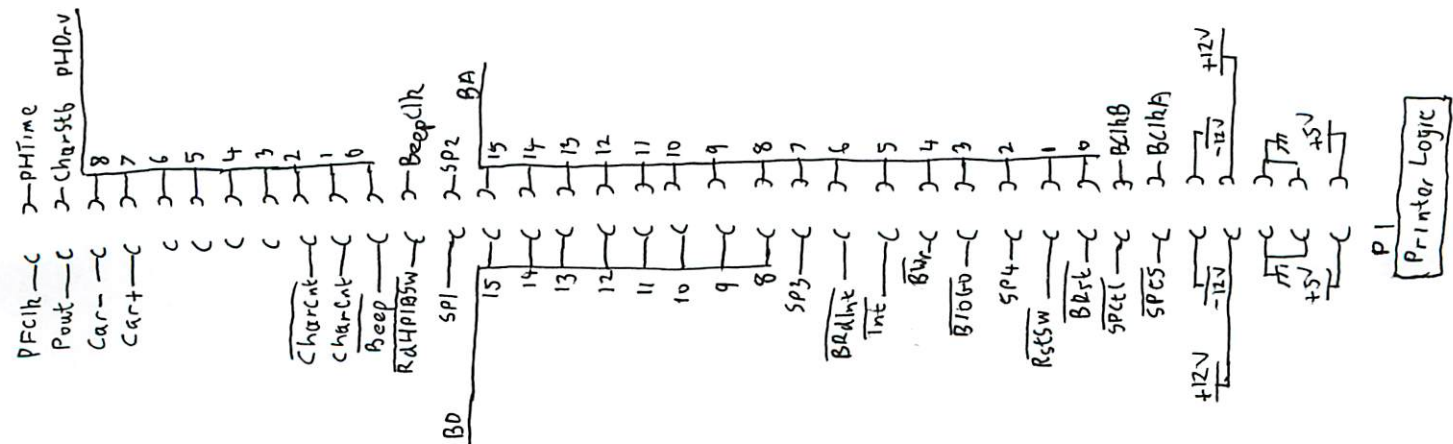
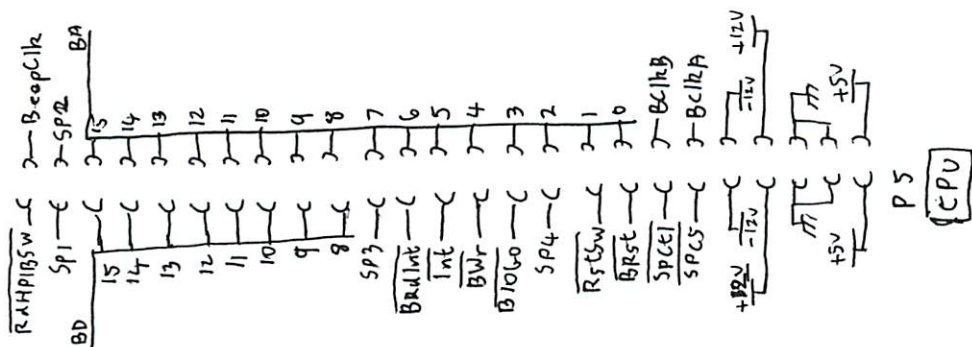
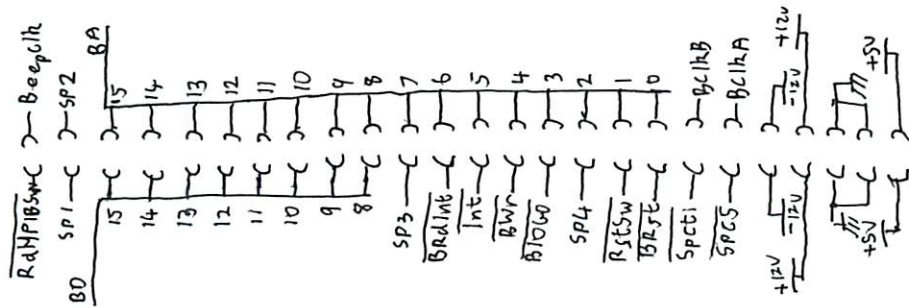
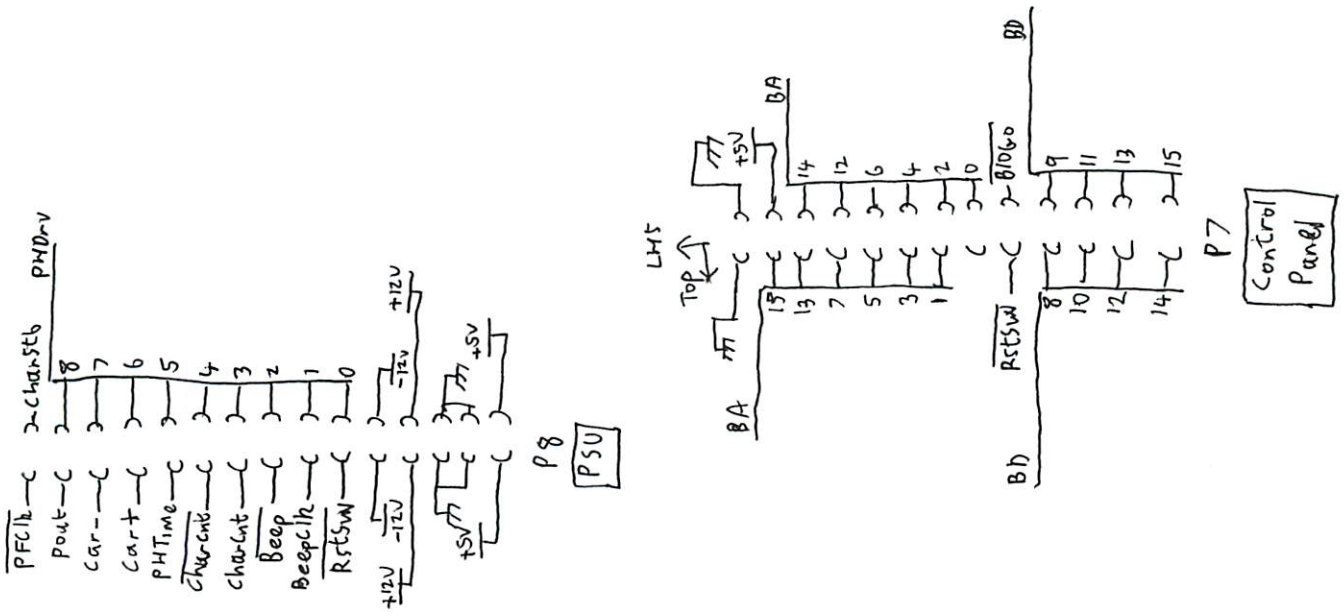
Top



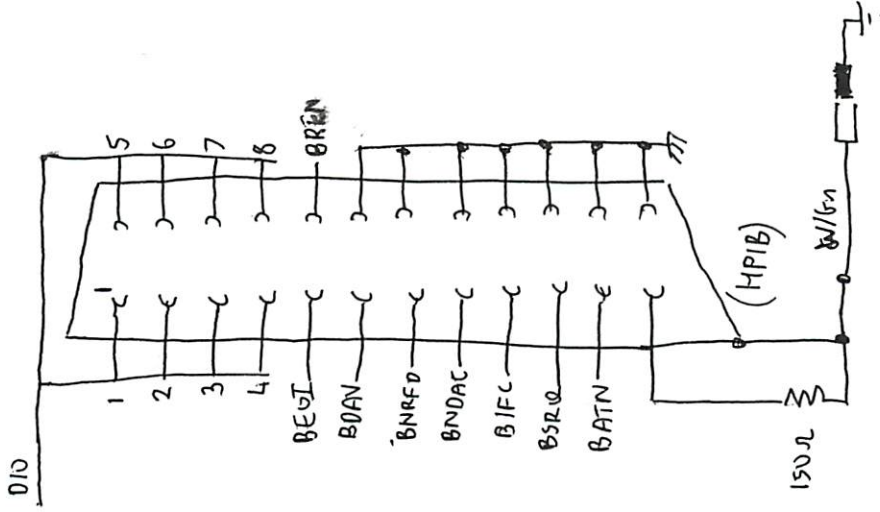
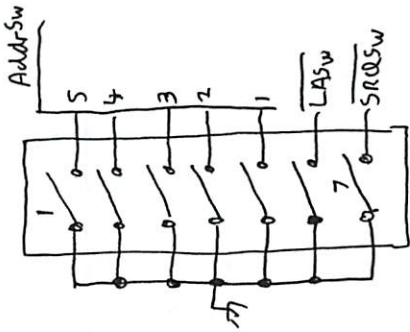
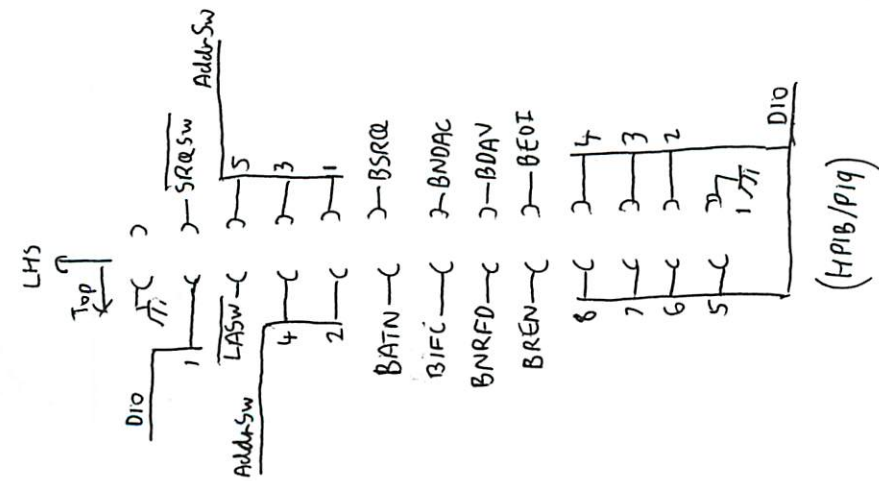
Indicators

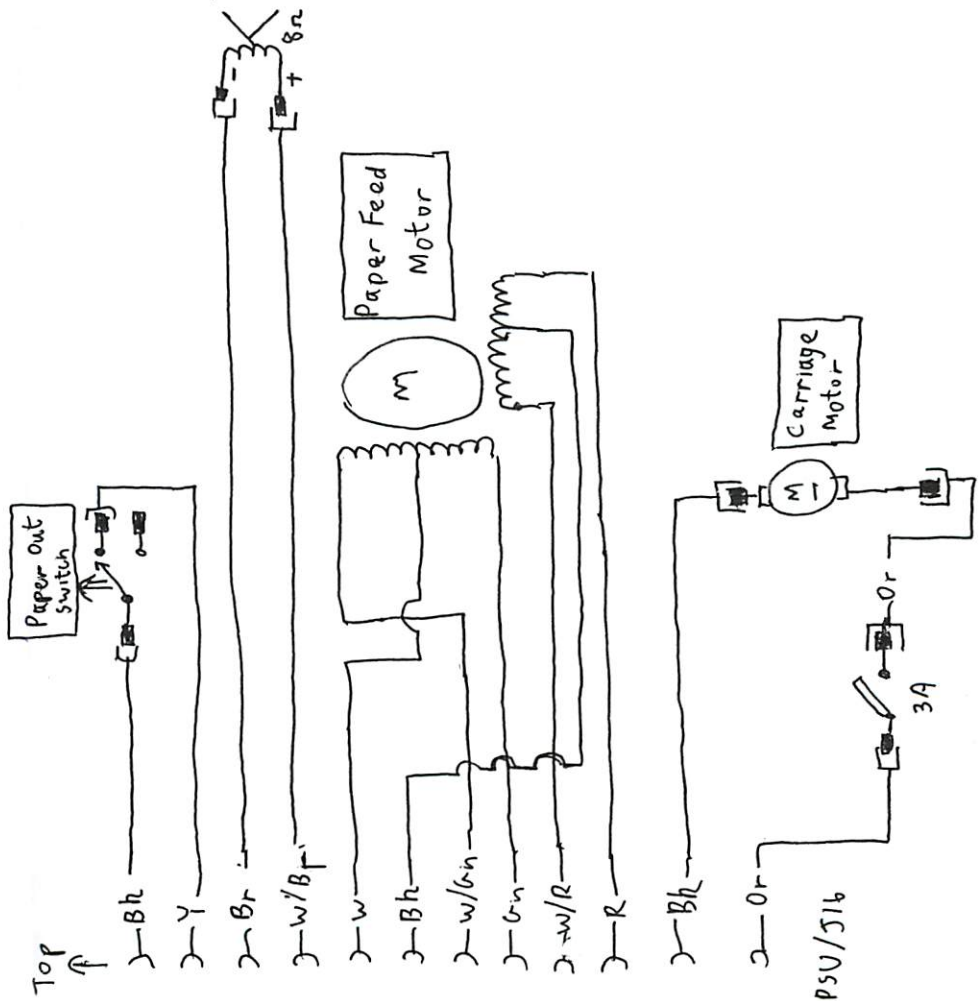


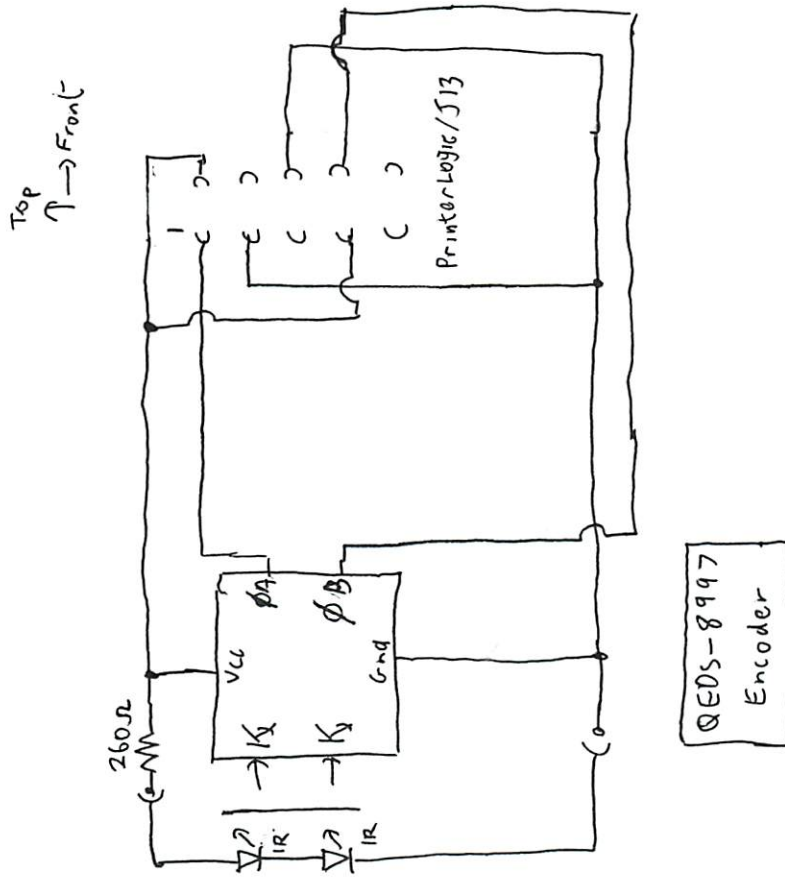
Switches



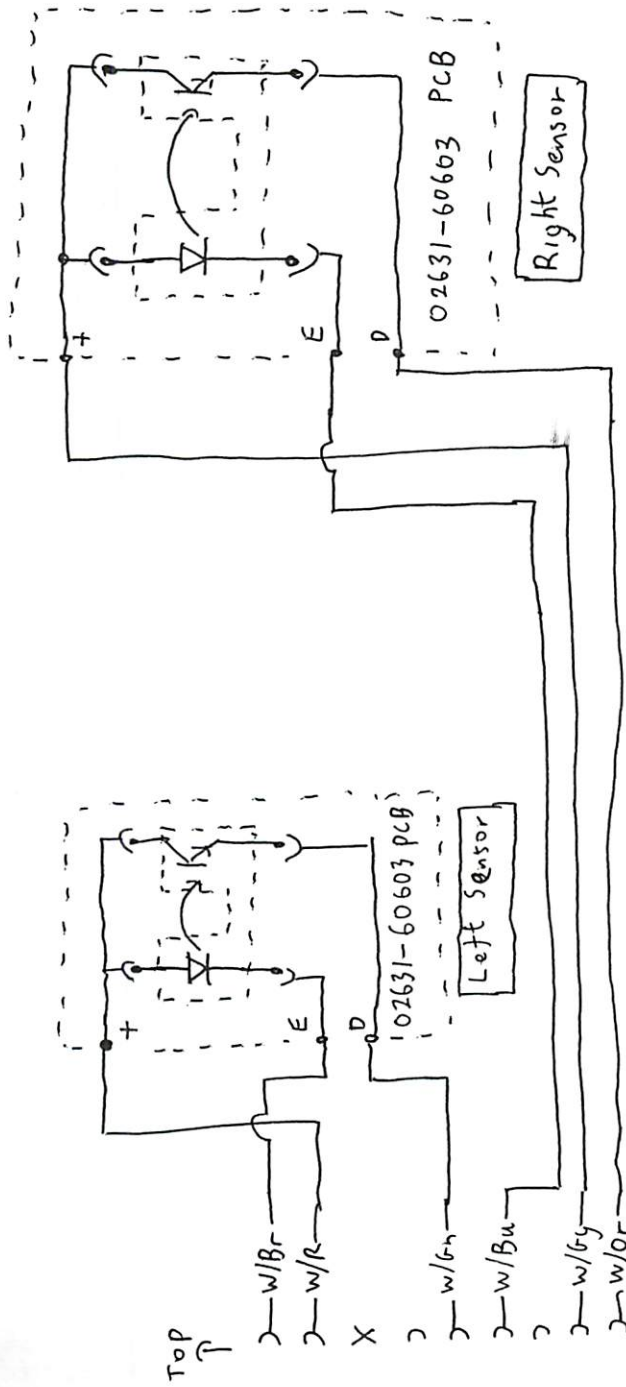
Backplane HP2631B 02631-60002





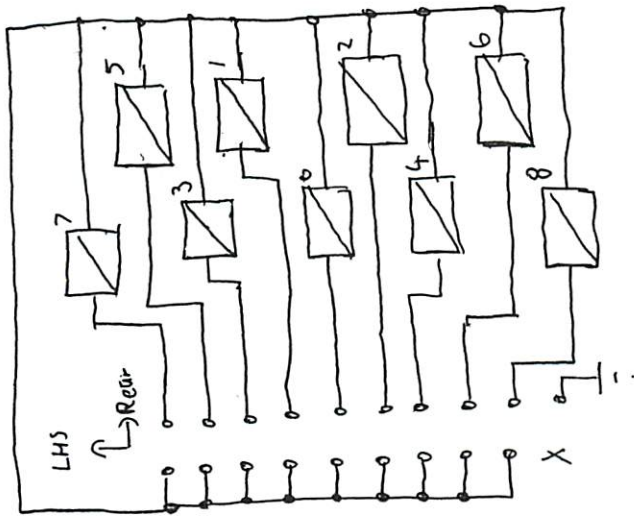


MP2631B Shaft Encoder



(Printer Logic/J11)

(Pin # 0 at Top of head)



HP2631B Printhead