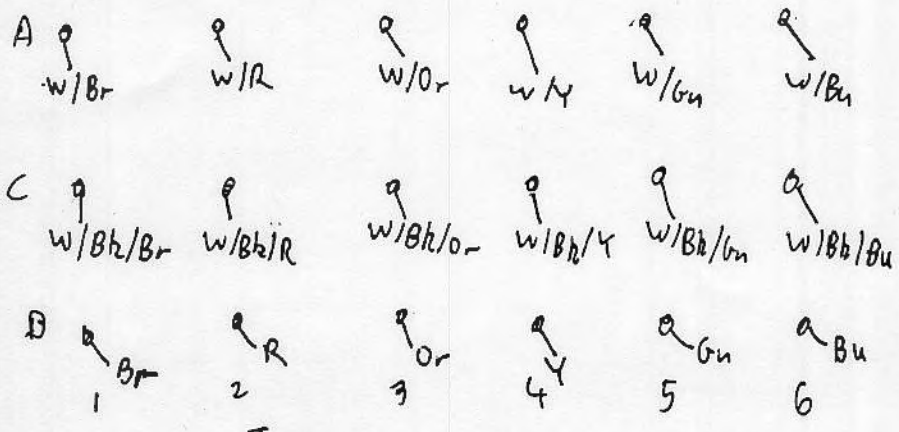


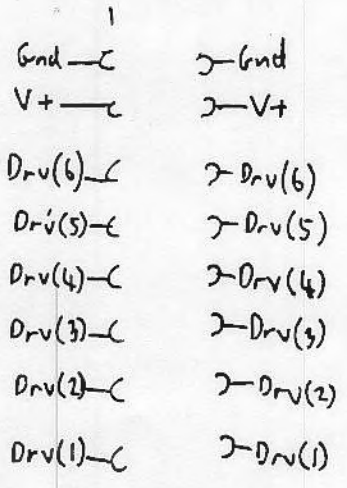
HP59306

TOP
LH5 ↑
←



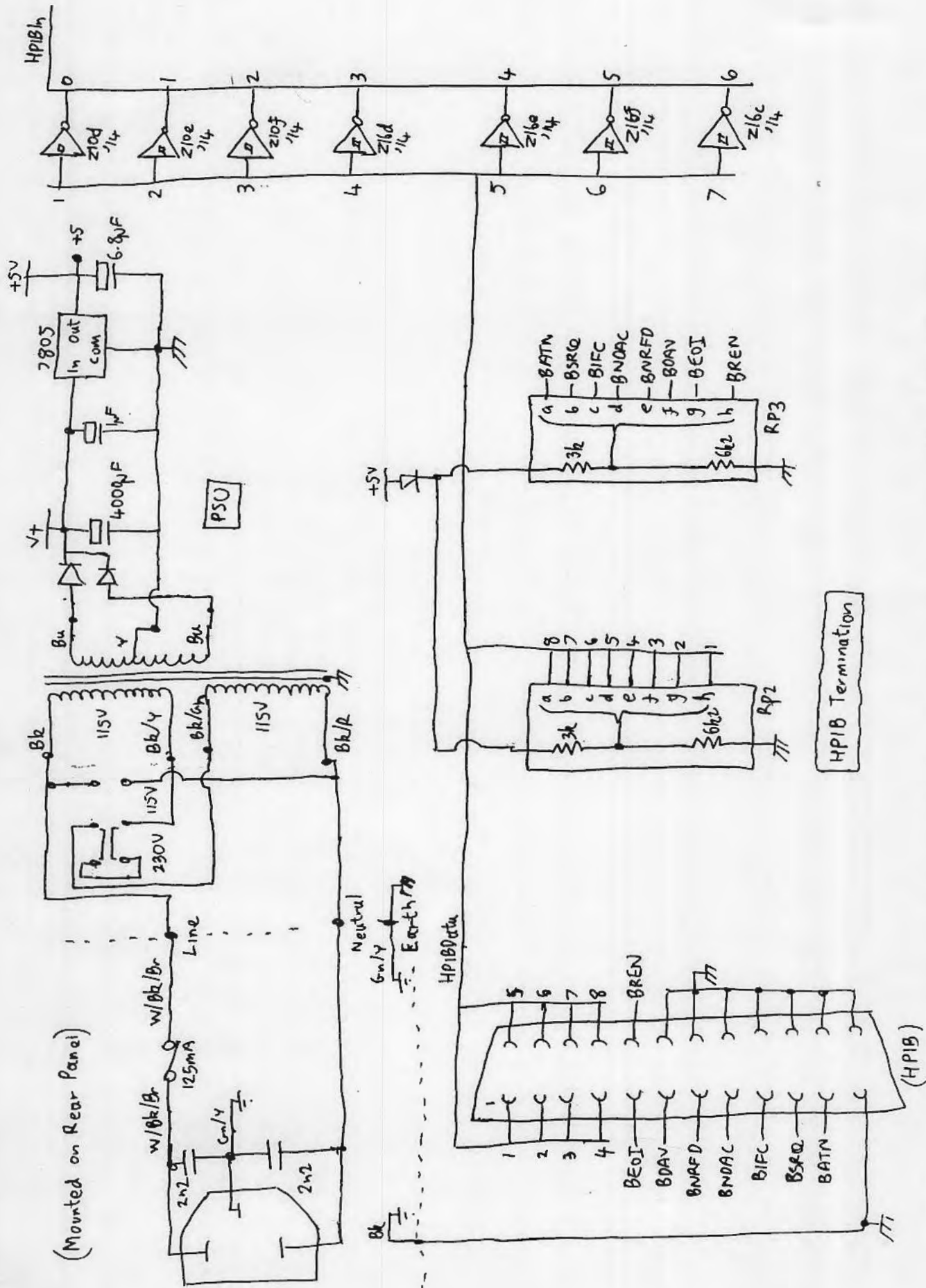
Terminal Connections

Line : w/Bh/Br
Neutral : w/Gn
Earth : Gn/Y + Bh (HP18/12)



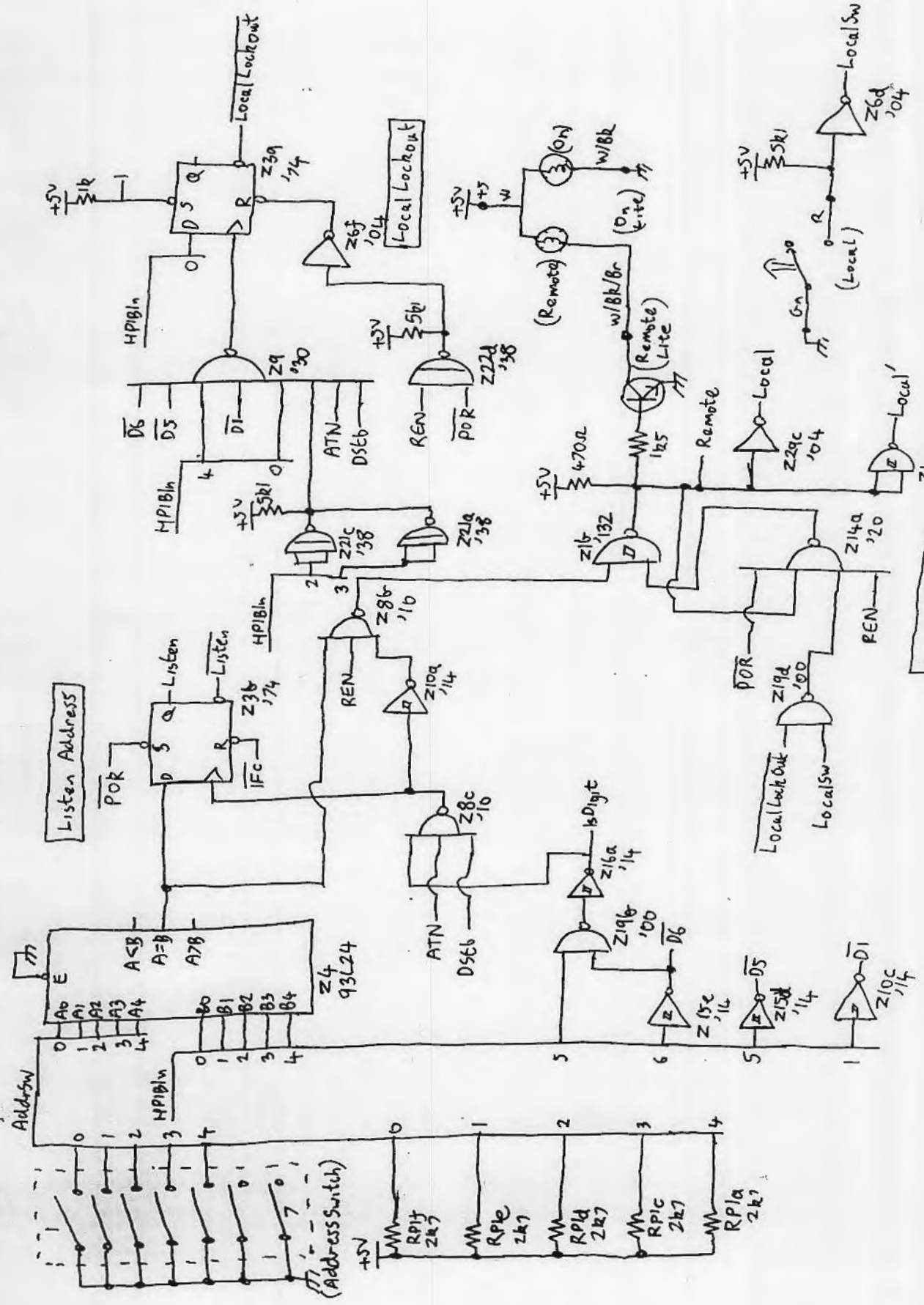
Control → Relay PCB
Connector

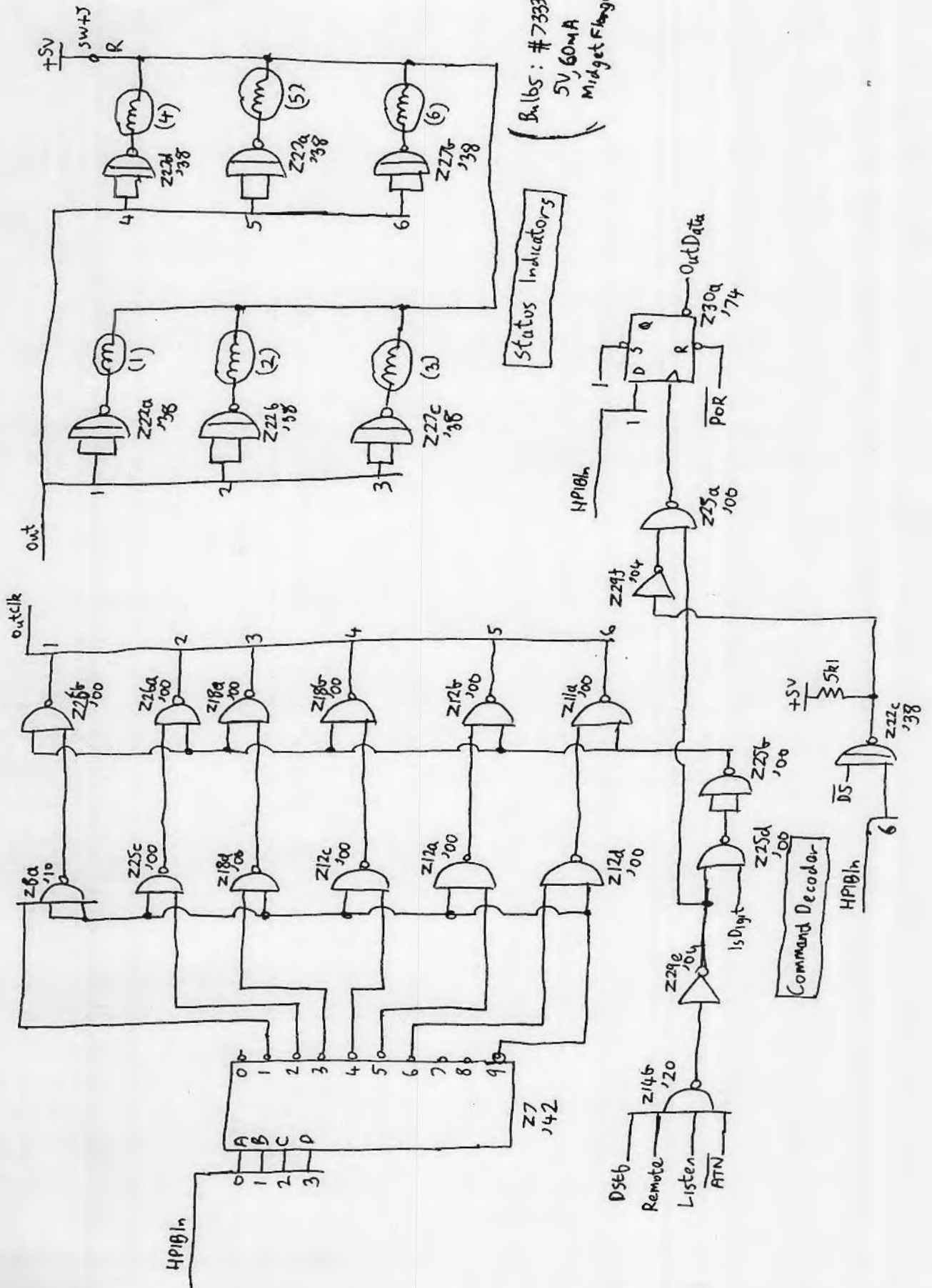
(Mounted on Rear Panel)



HP-IB Termination

5930C-6000



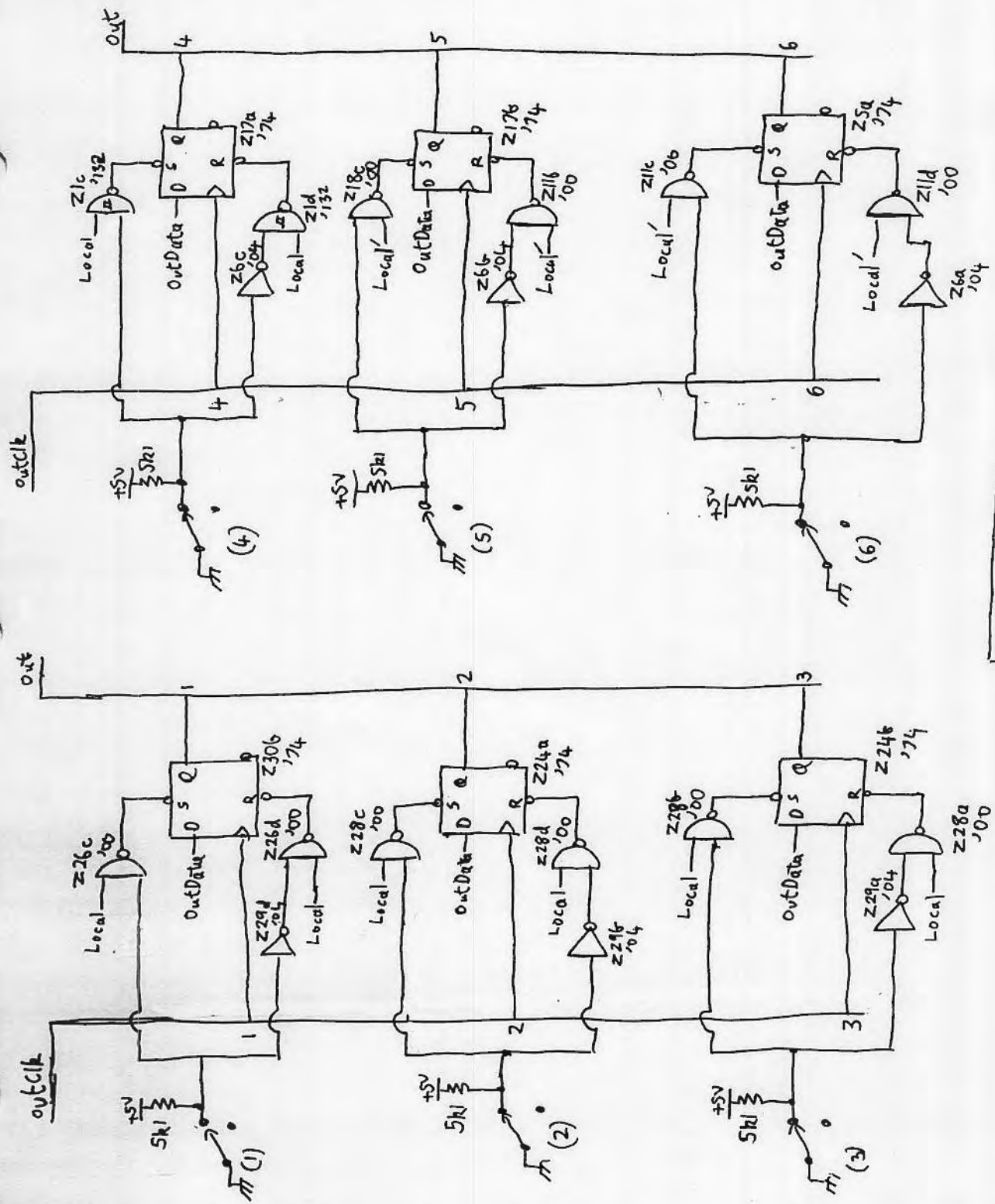


Bulbs: #7333
 5V, 60mA
 Midget Flange

Status Indicators

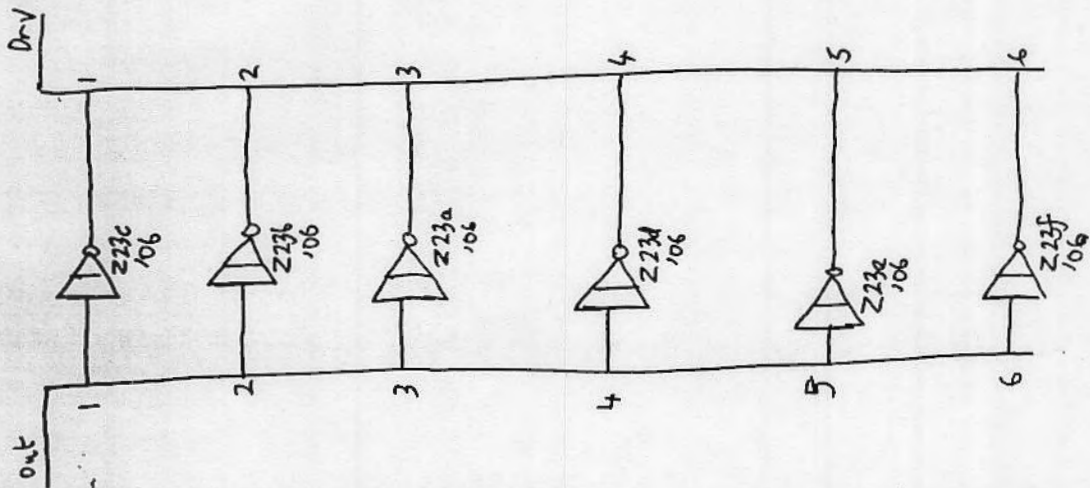
Command Decoder

Note: All switches shown in 'Out' position



Output Flip-Flop

11059201 Relo. Actiut (1 1 000 51 LF



Output Drivers

