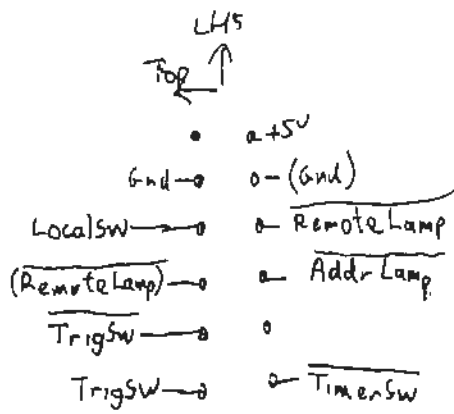
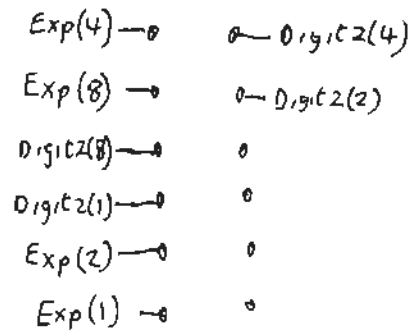
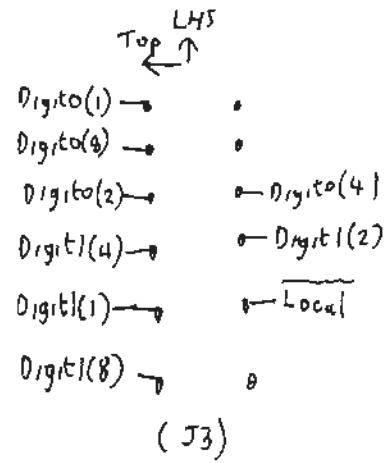


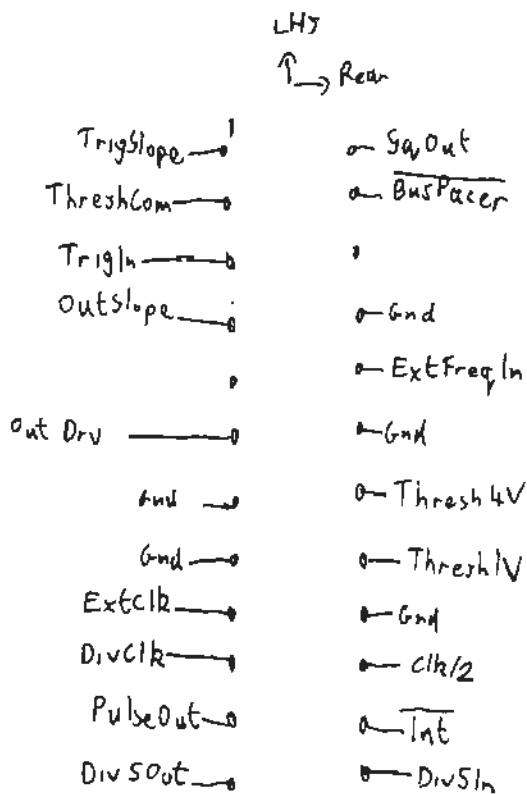
HP 59308



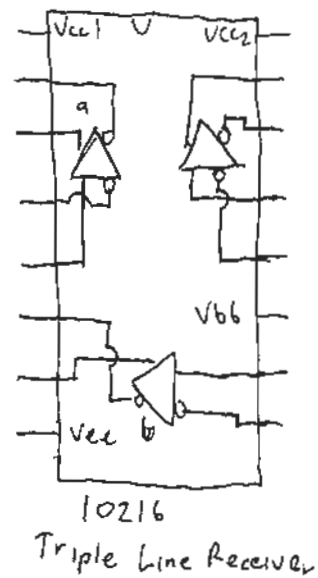
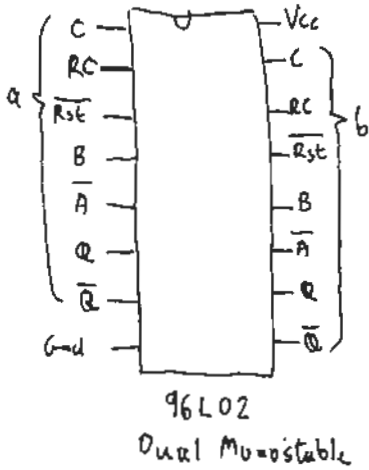
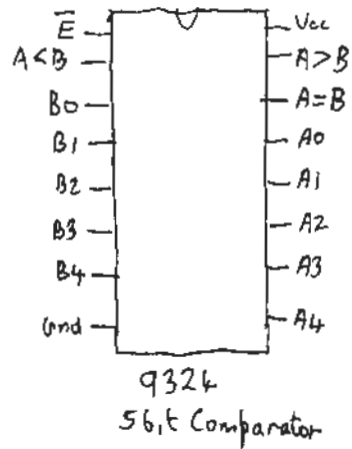
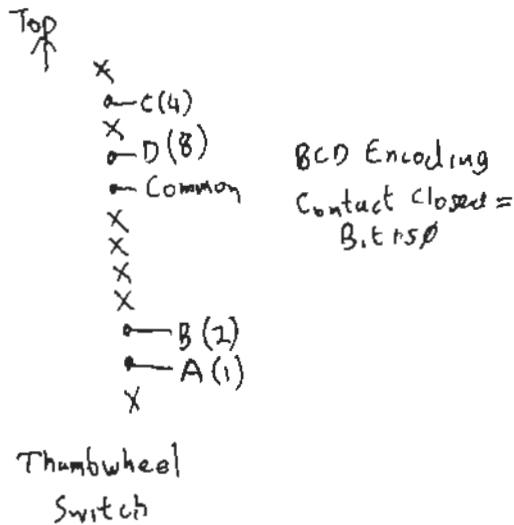
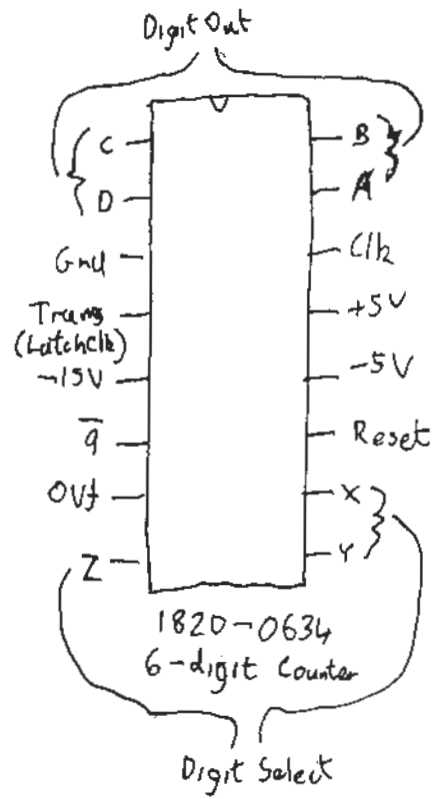
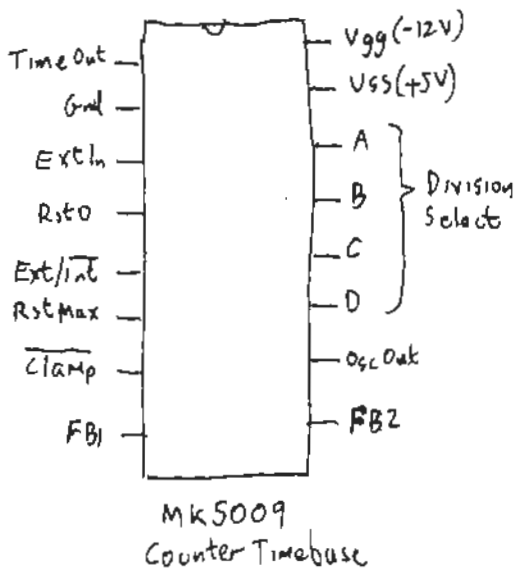
Switch/Lamp
PCB
(J2)

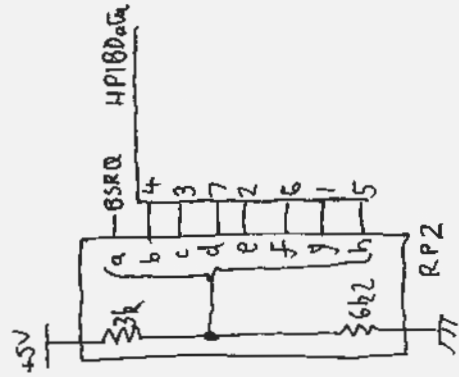
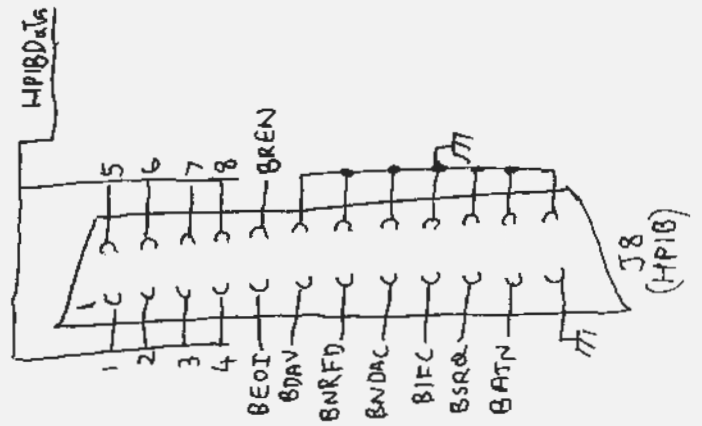
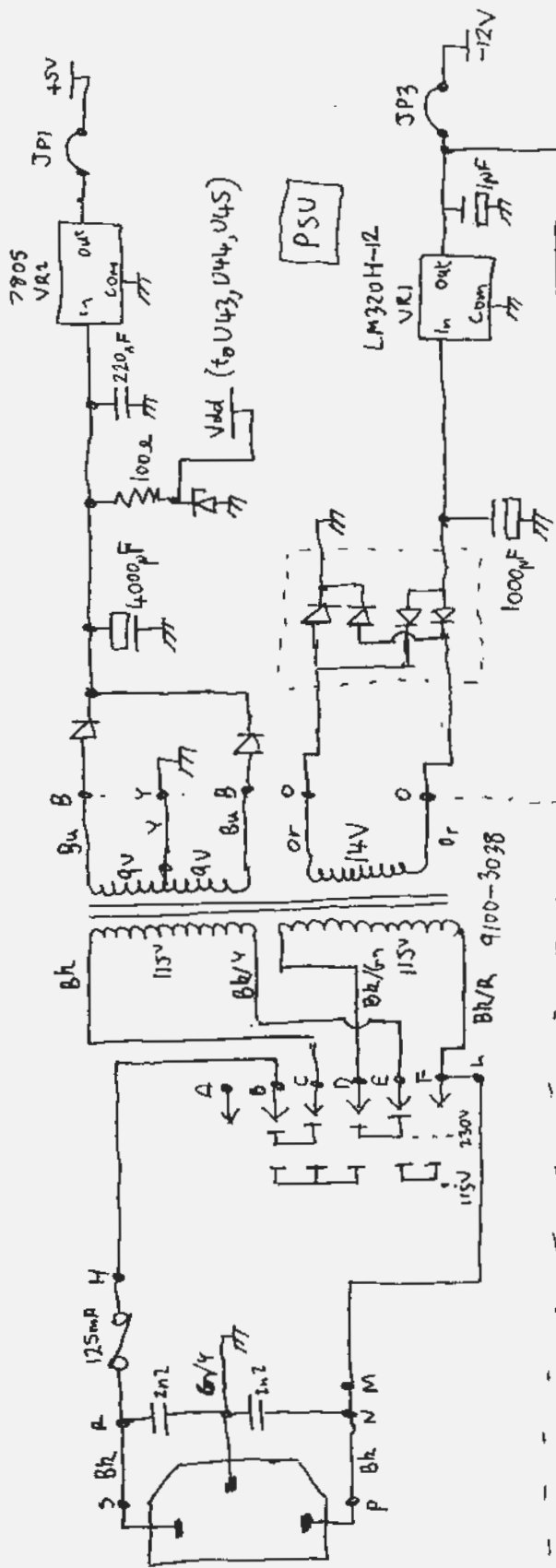


(J4)
Thumbwheel PCB

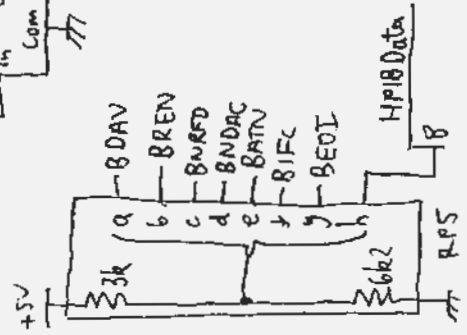


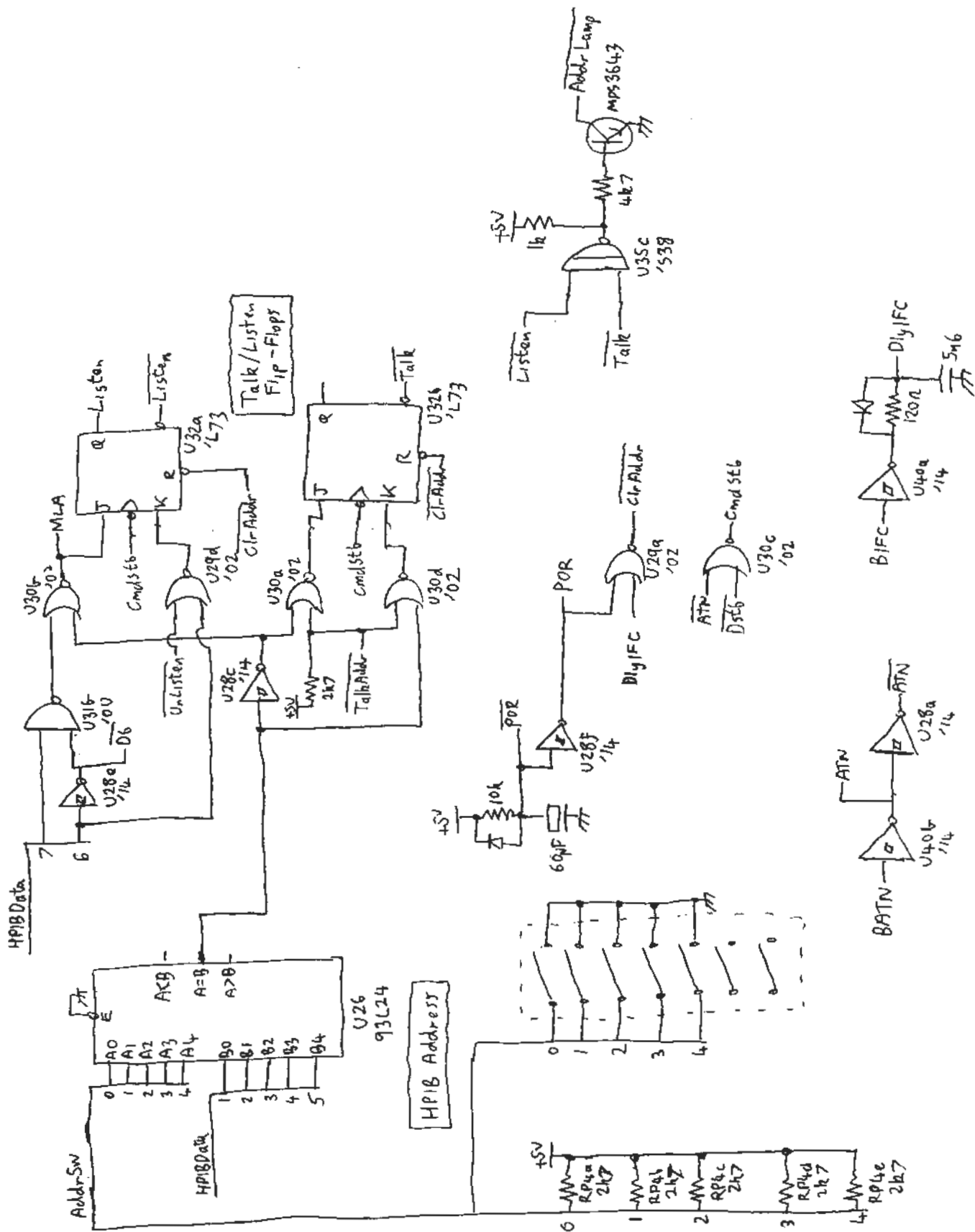
Rear Panel
PCB
(J1)

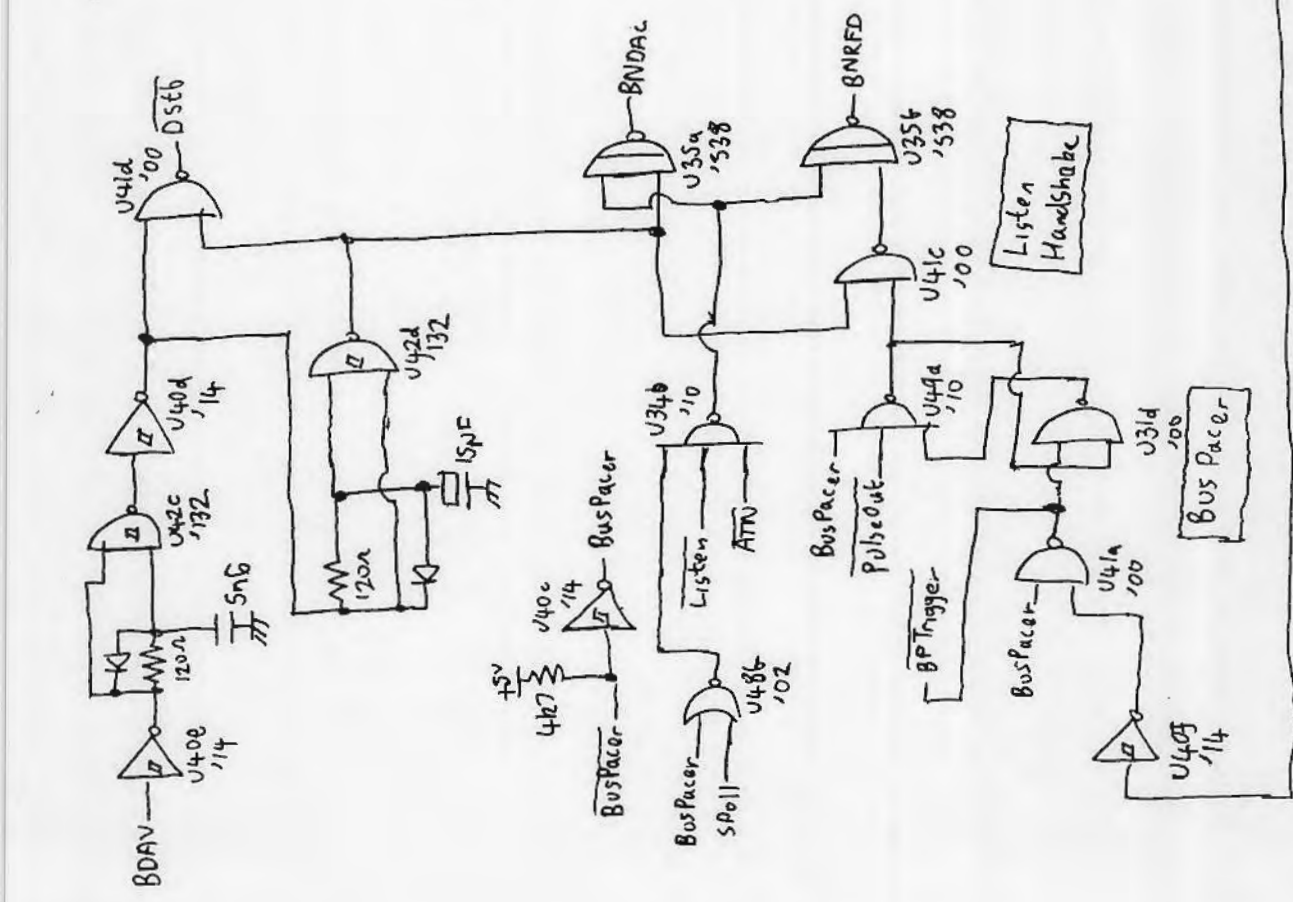
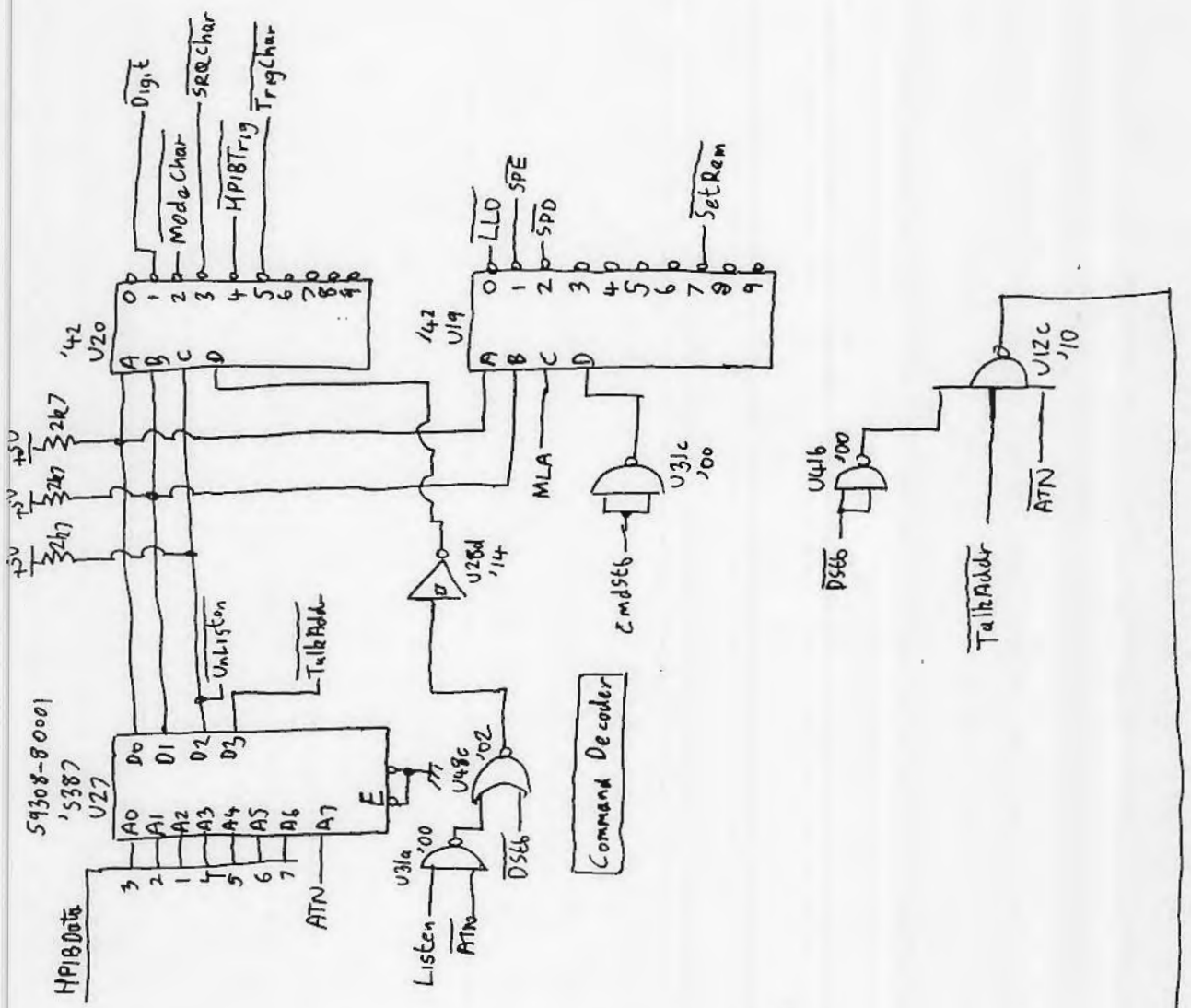




HP18 Termination



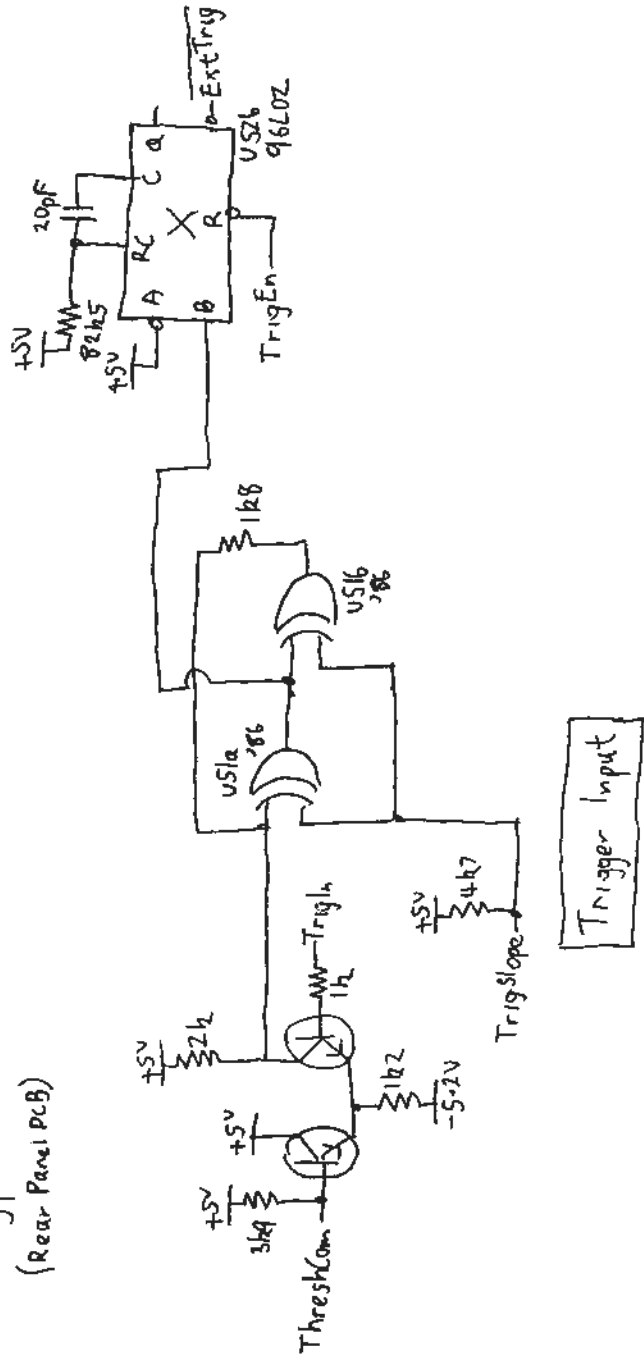
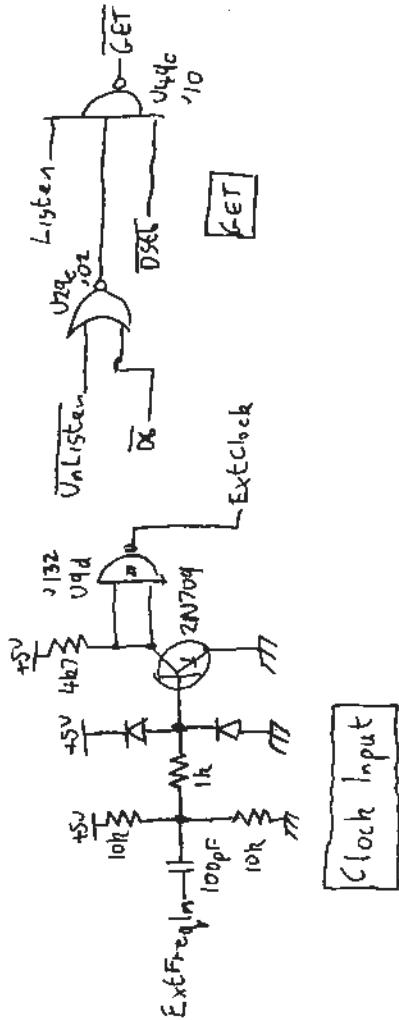


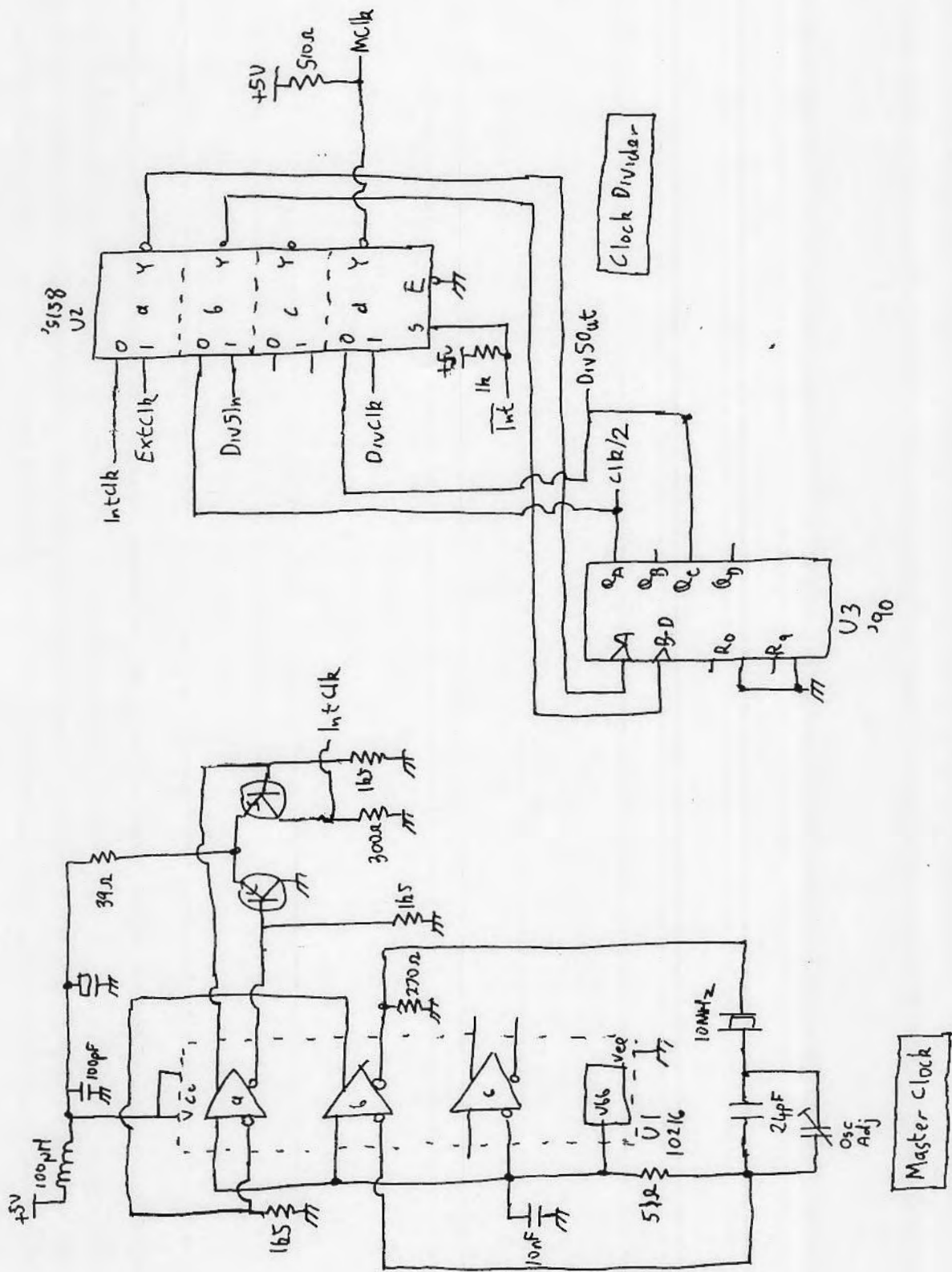


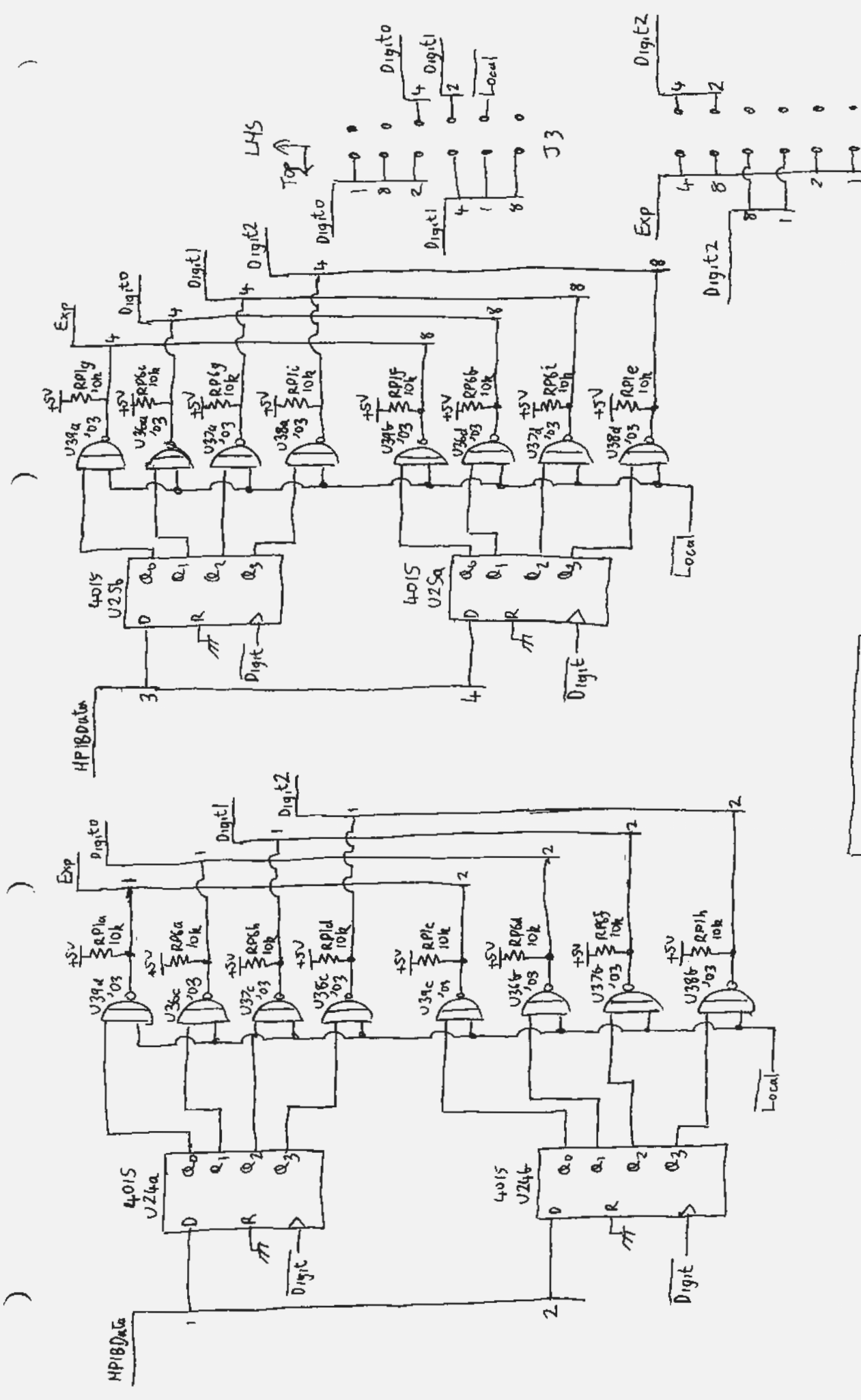
- TrigSlope
- ThreshCom
- TrigIn
- outSlope
- outDrV
- ExtClk
- DivClk
- PulseOut
- Div5Out

- SyOut
- BugPace
- ExtFrqIn
- 2k1y
- 422n
- Clk/2
- Int
- Div5In

J1
(Rear Panel PCB)

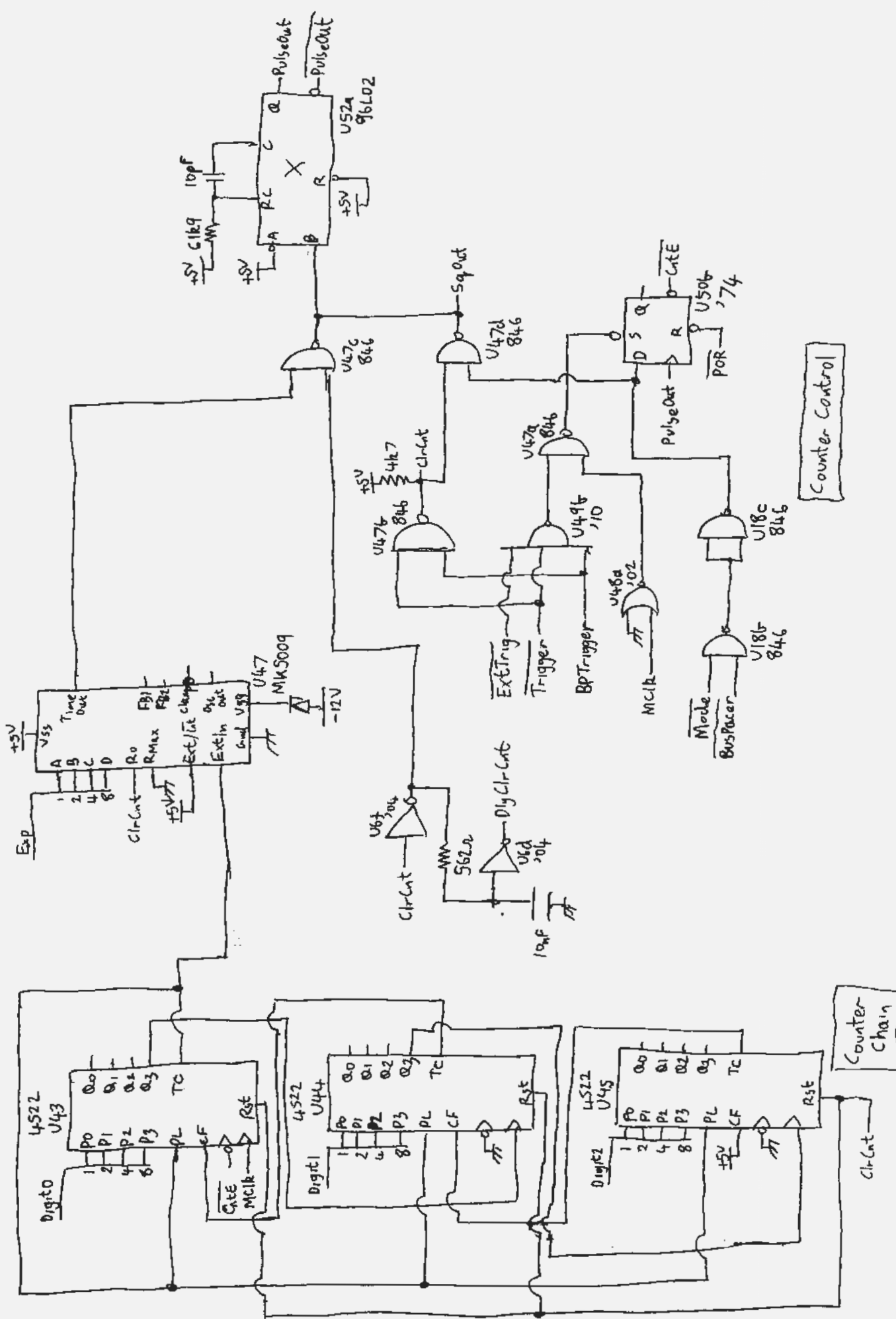


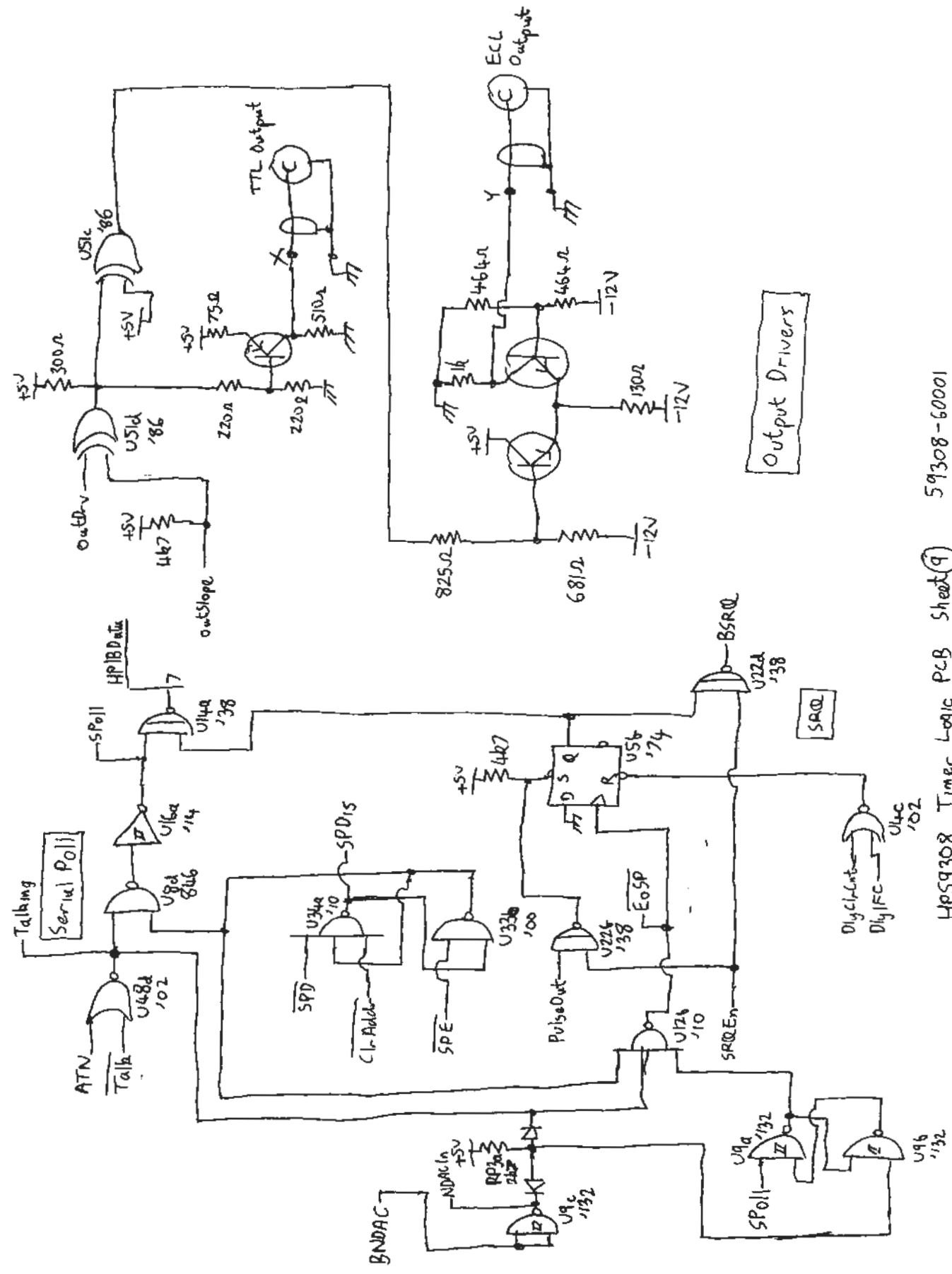




Data Shift Register

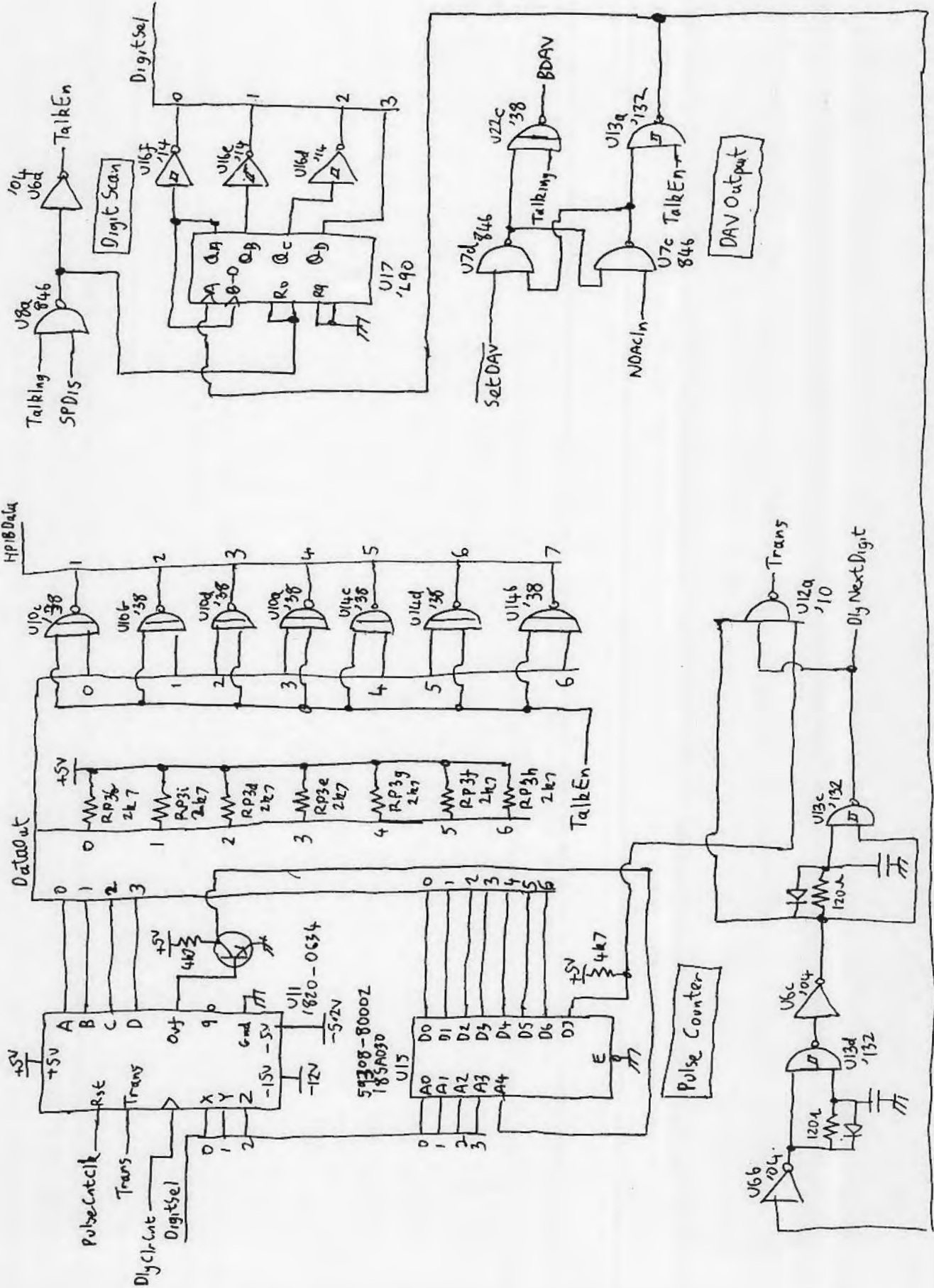
(Thumbwheel PCB)





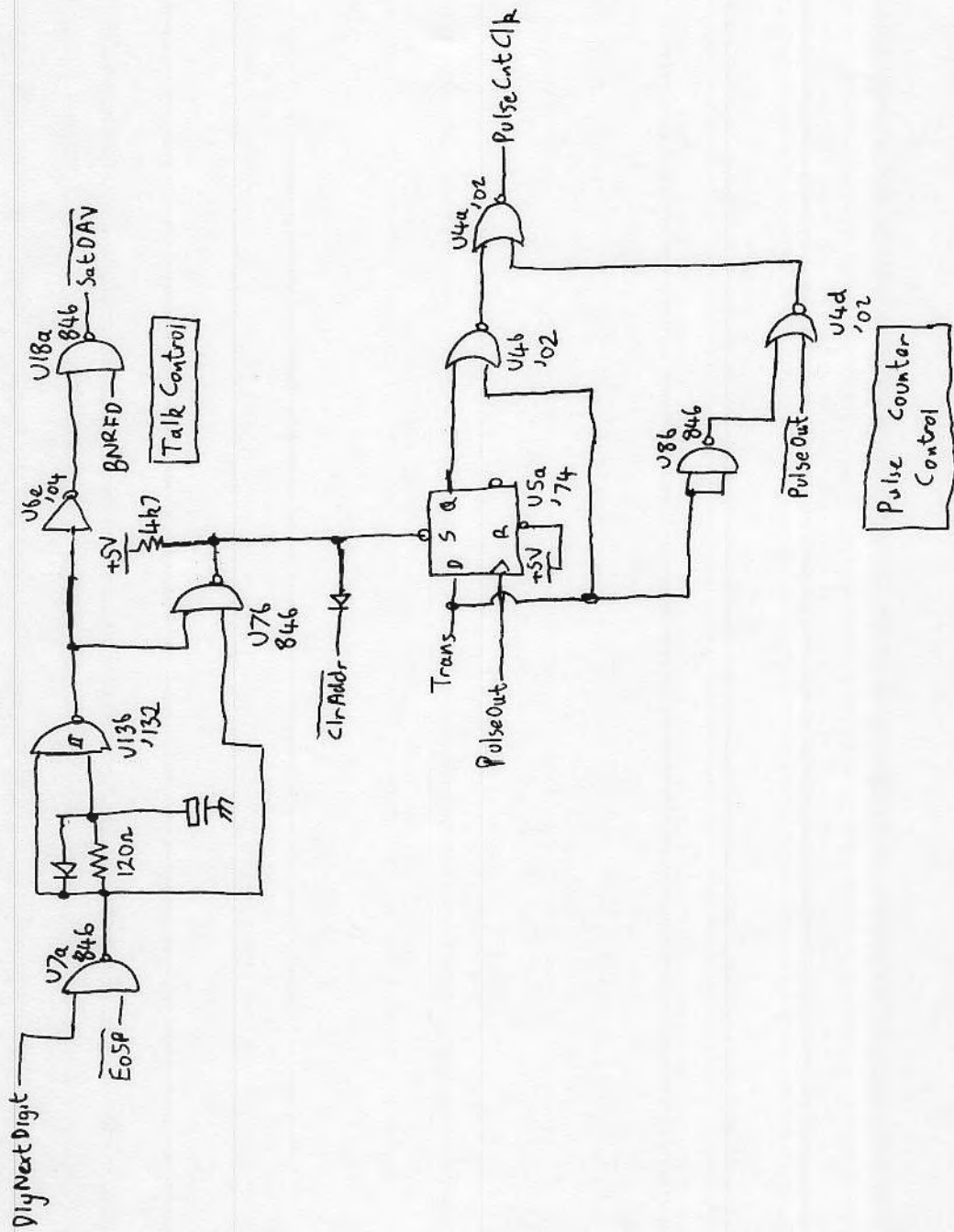
Output Drivers

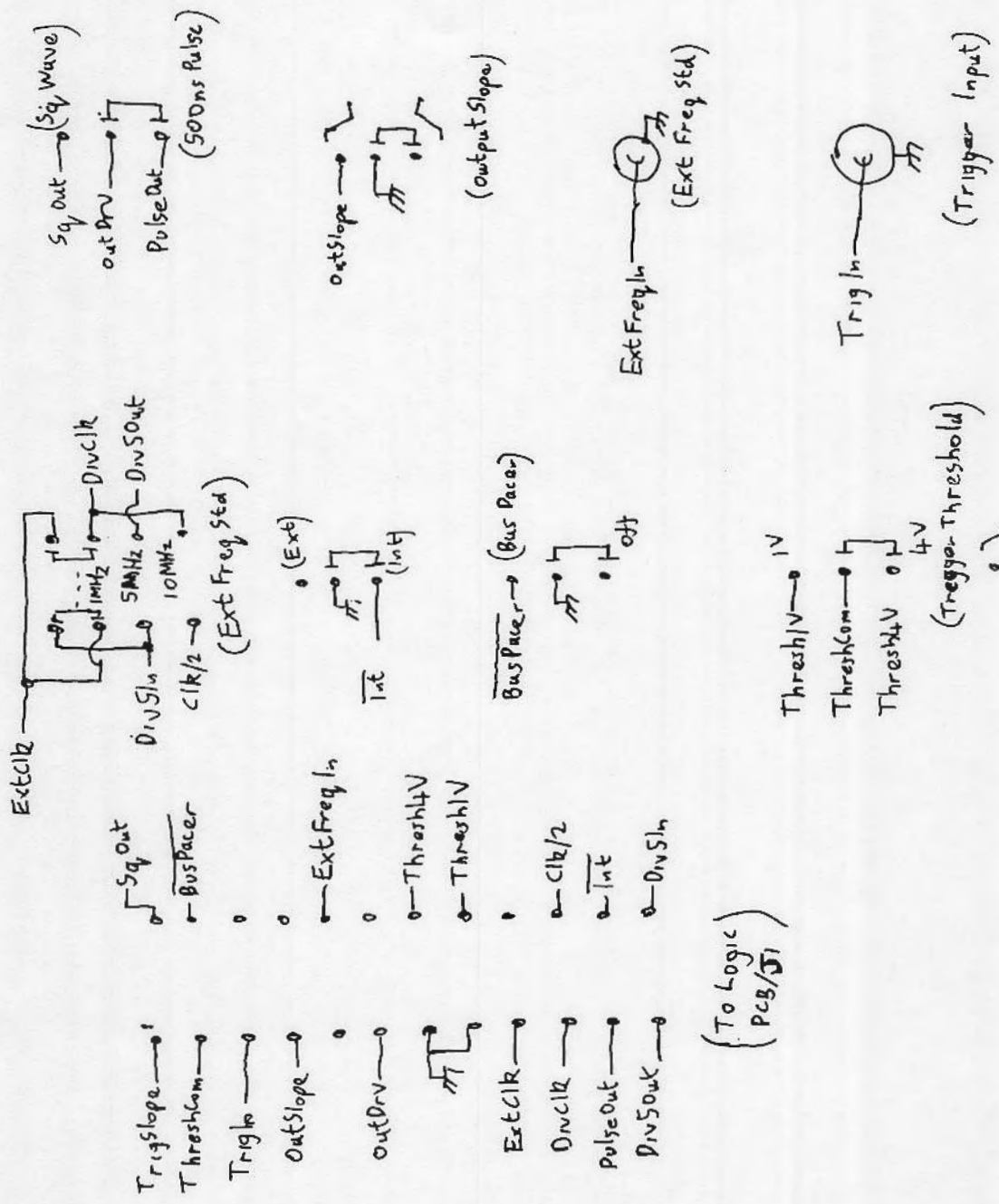
SRQ

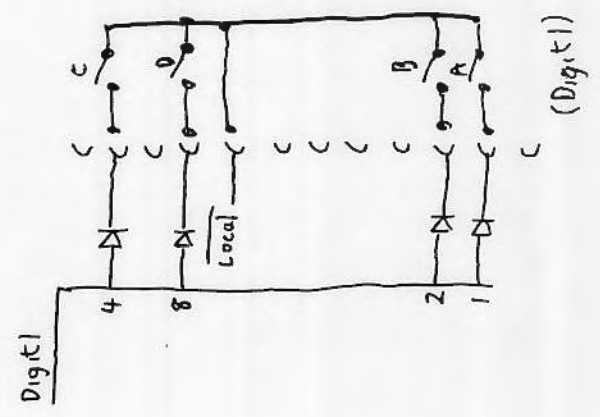
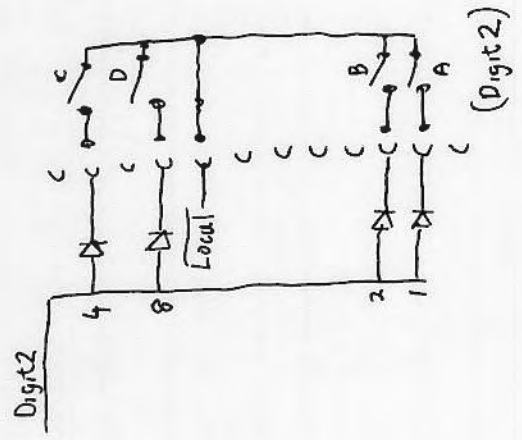
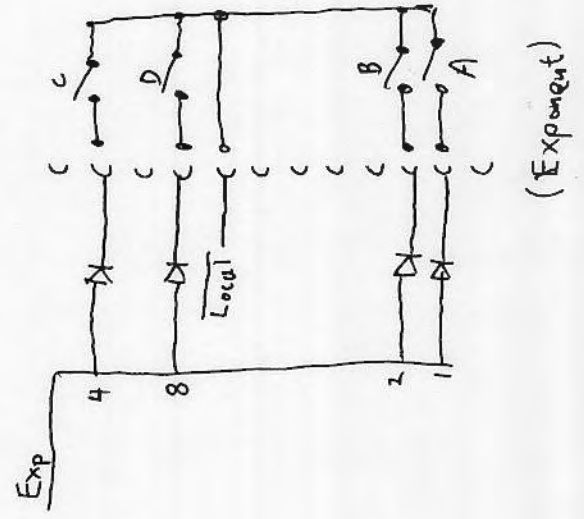
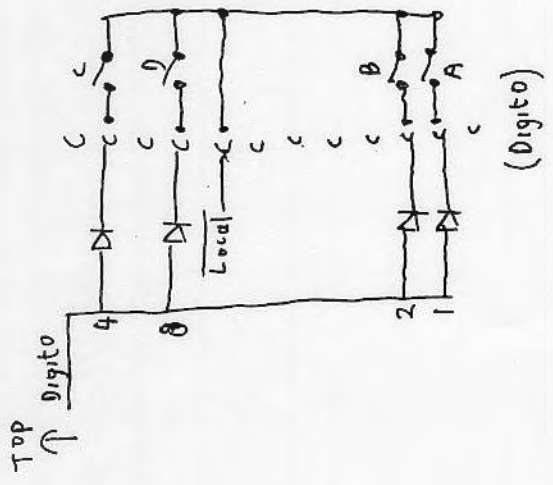
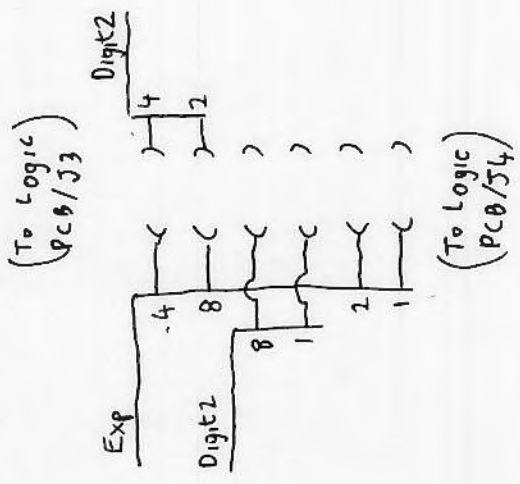
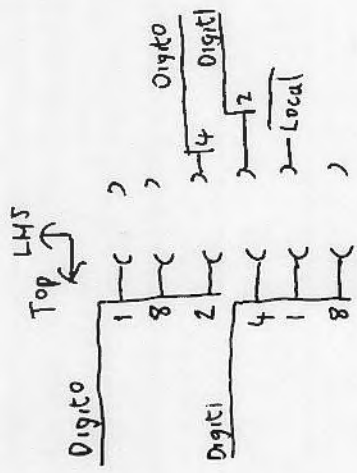


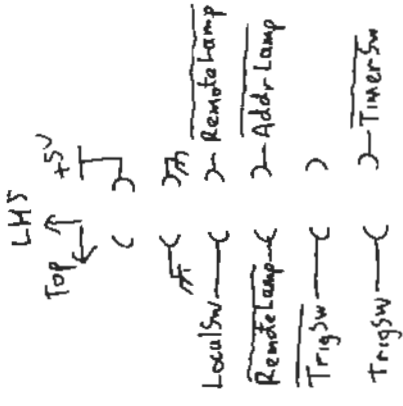
59308-60001

HP59308 Timer Logic PCB Sheet 10









(To Logic PCB/J2)

