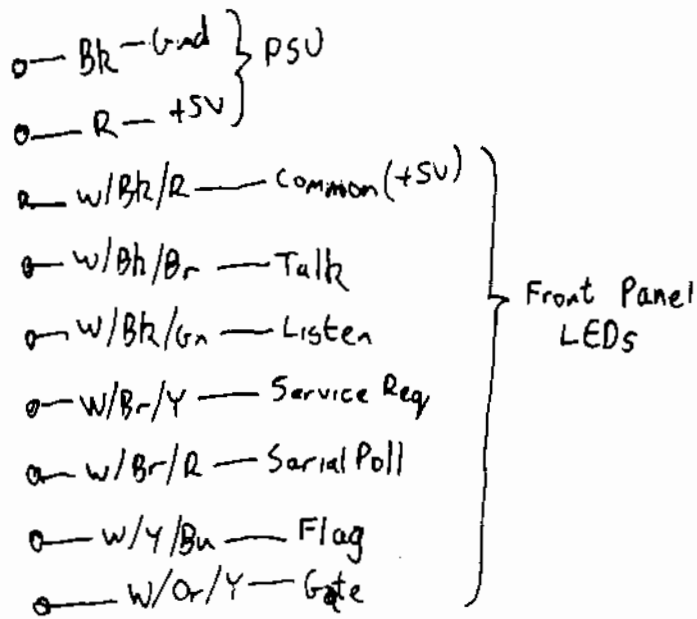
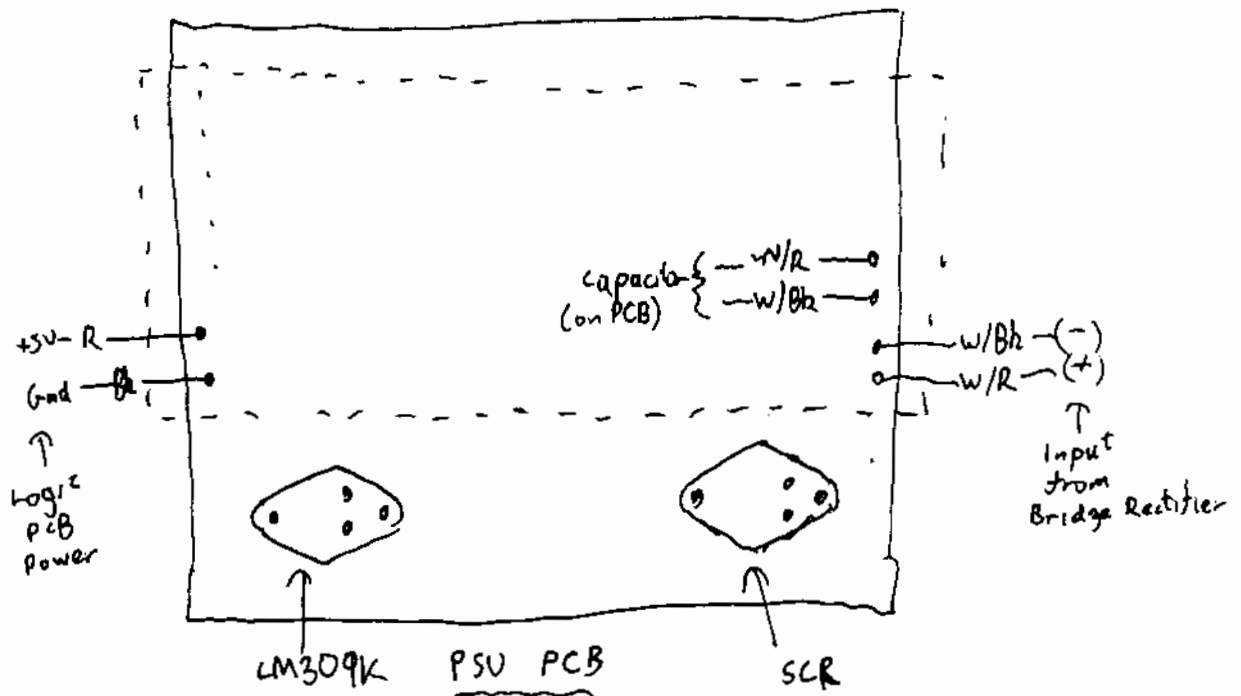


HPS9500

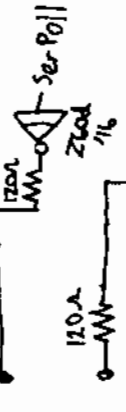
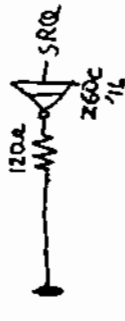
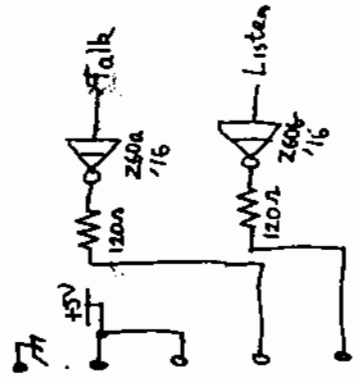
RHS
↑



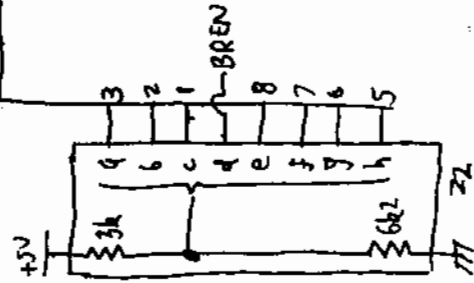
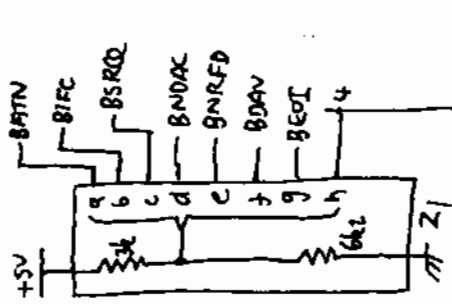
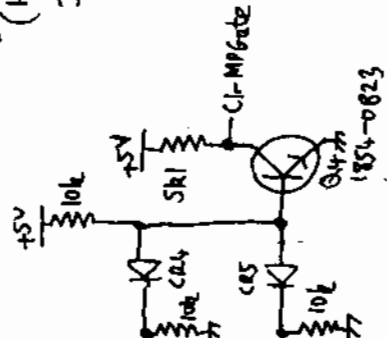
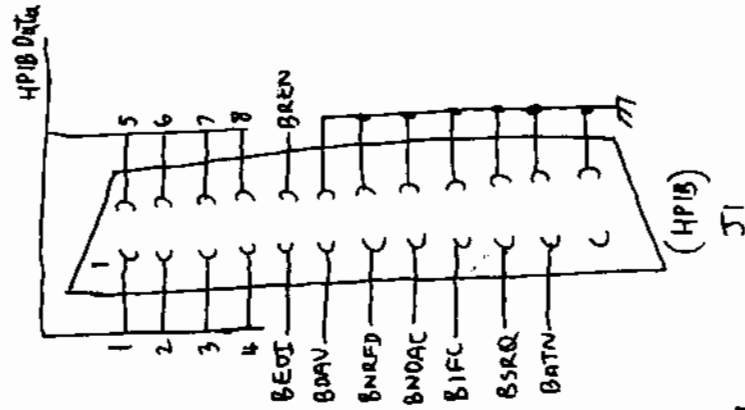
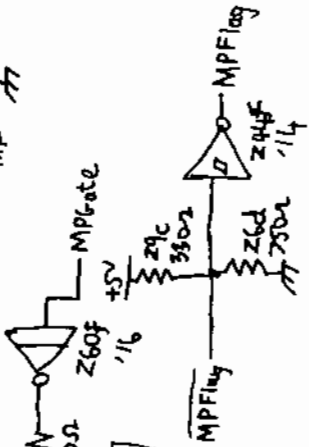
Barrier strip
on Logic PCB



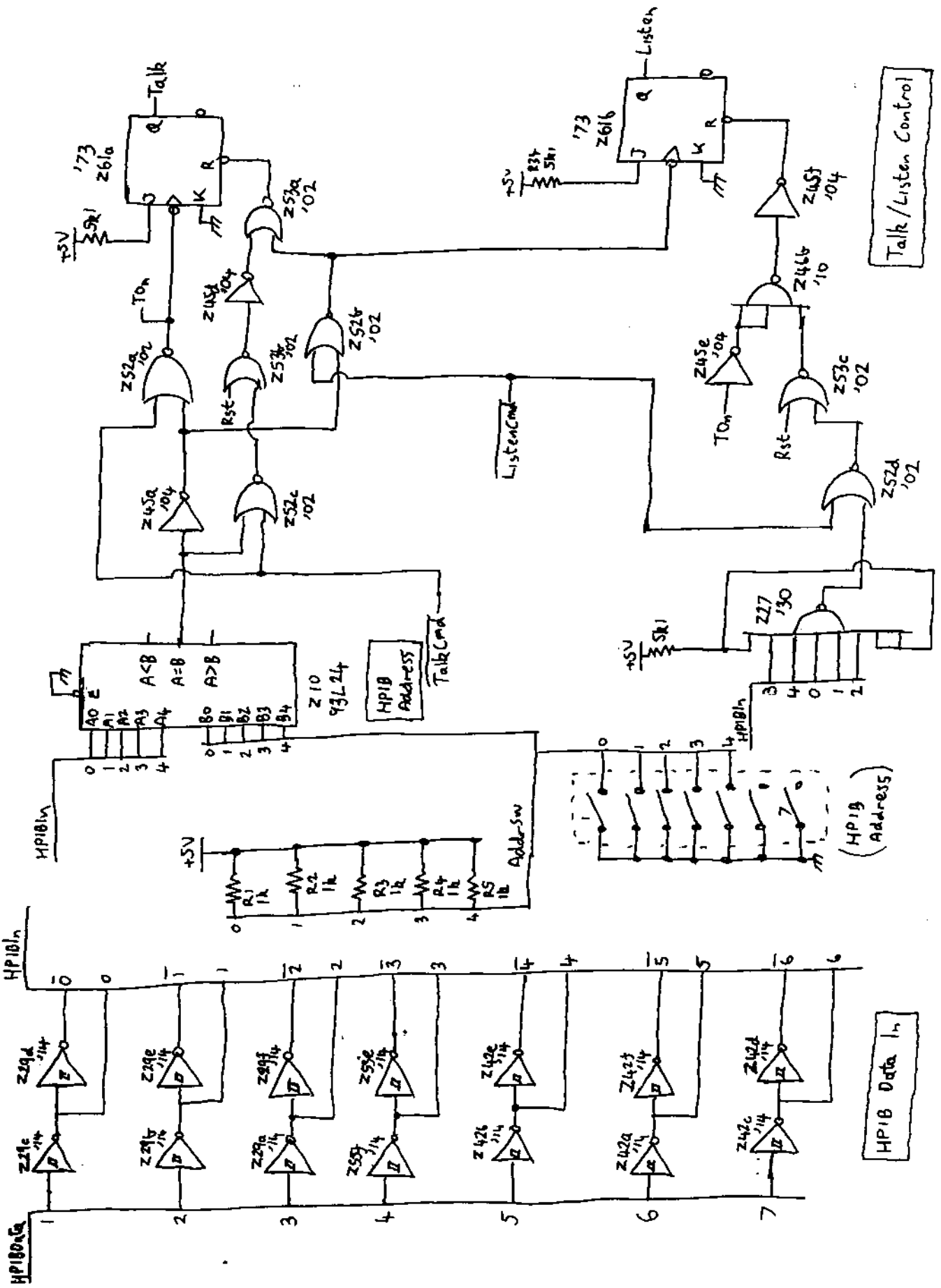
PHS

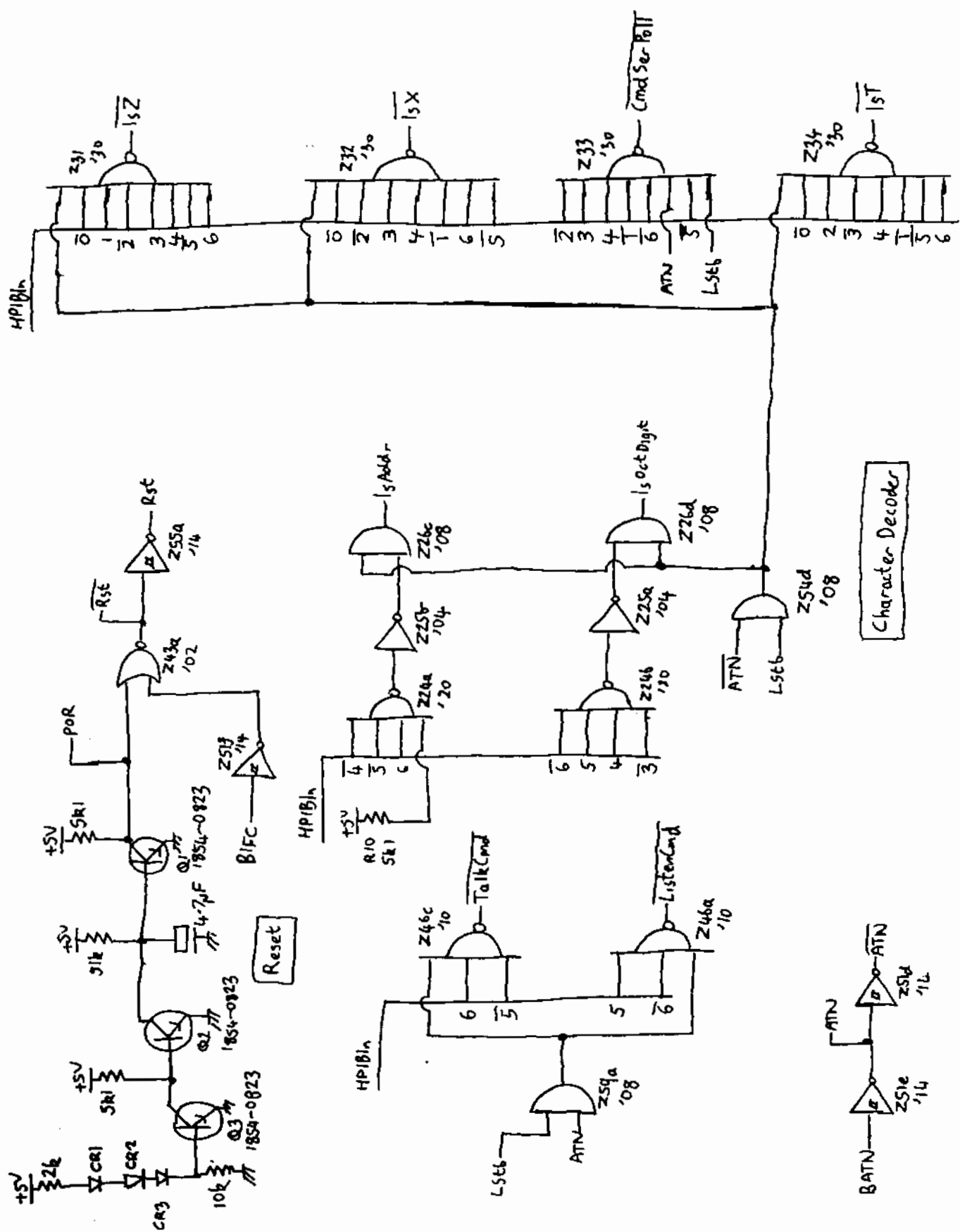


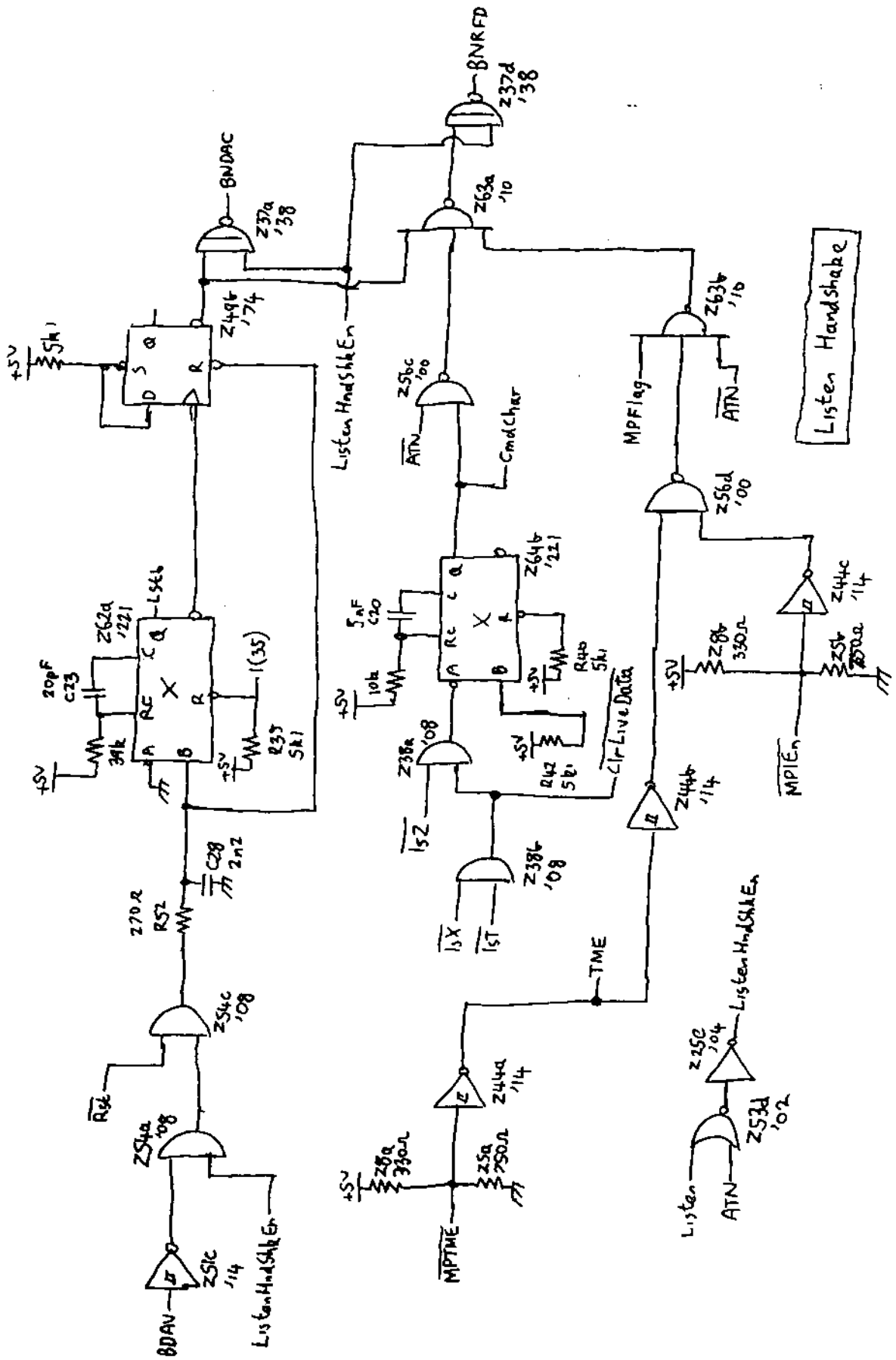
(Barrier Strip)

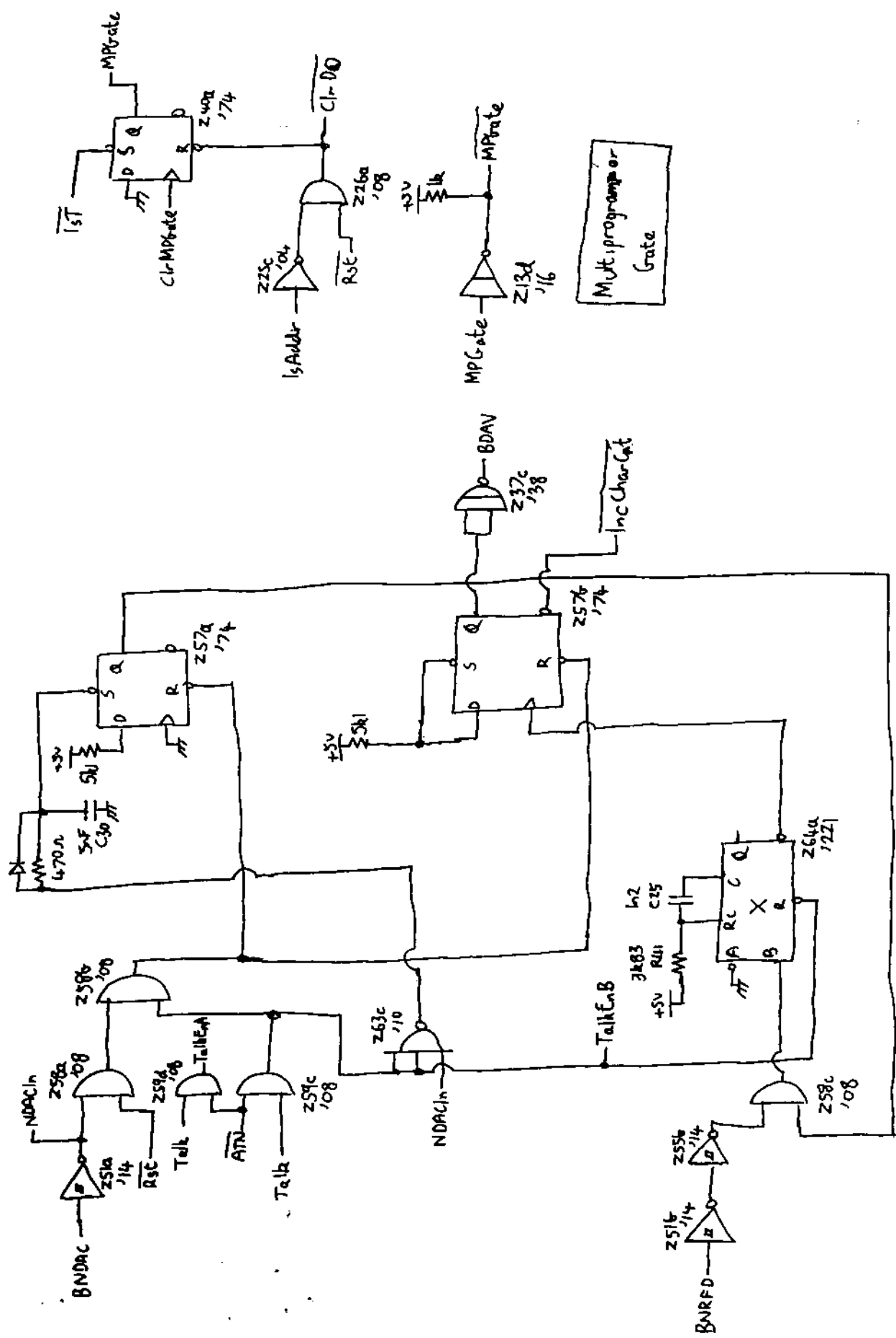


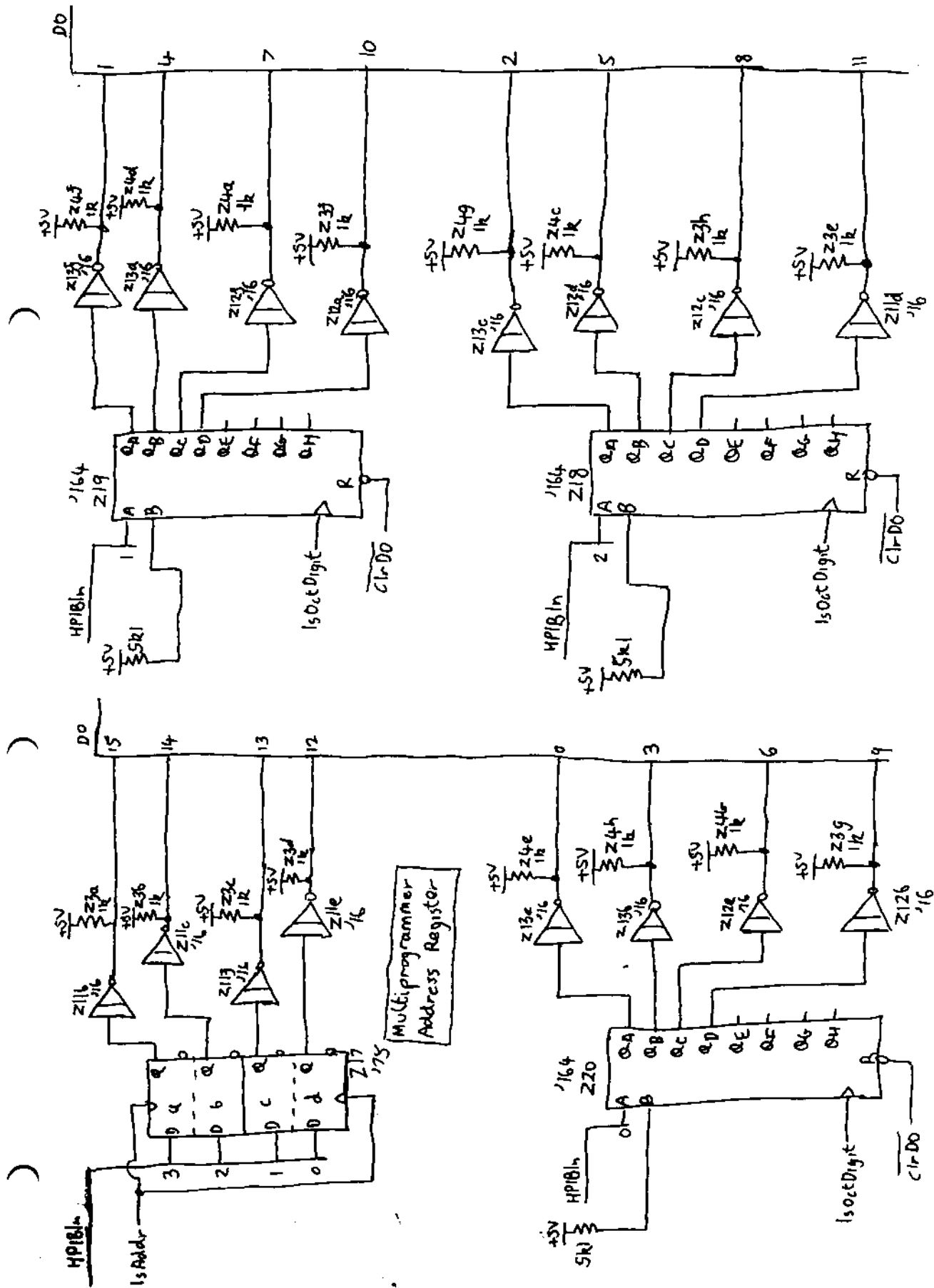
HP1B Termination



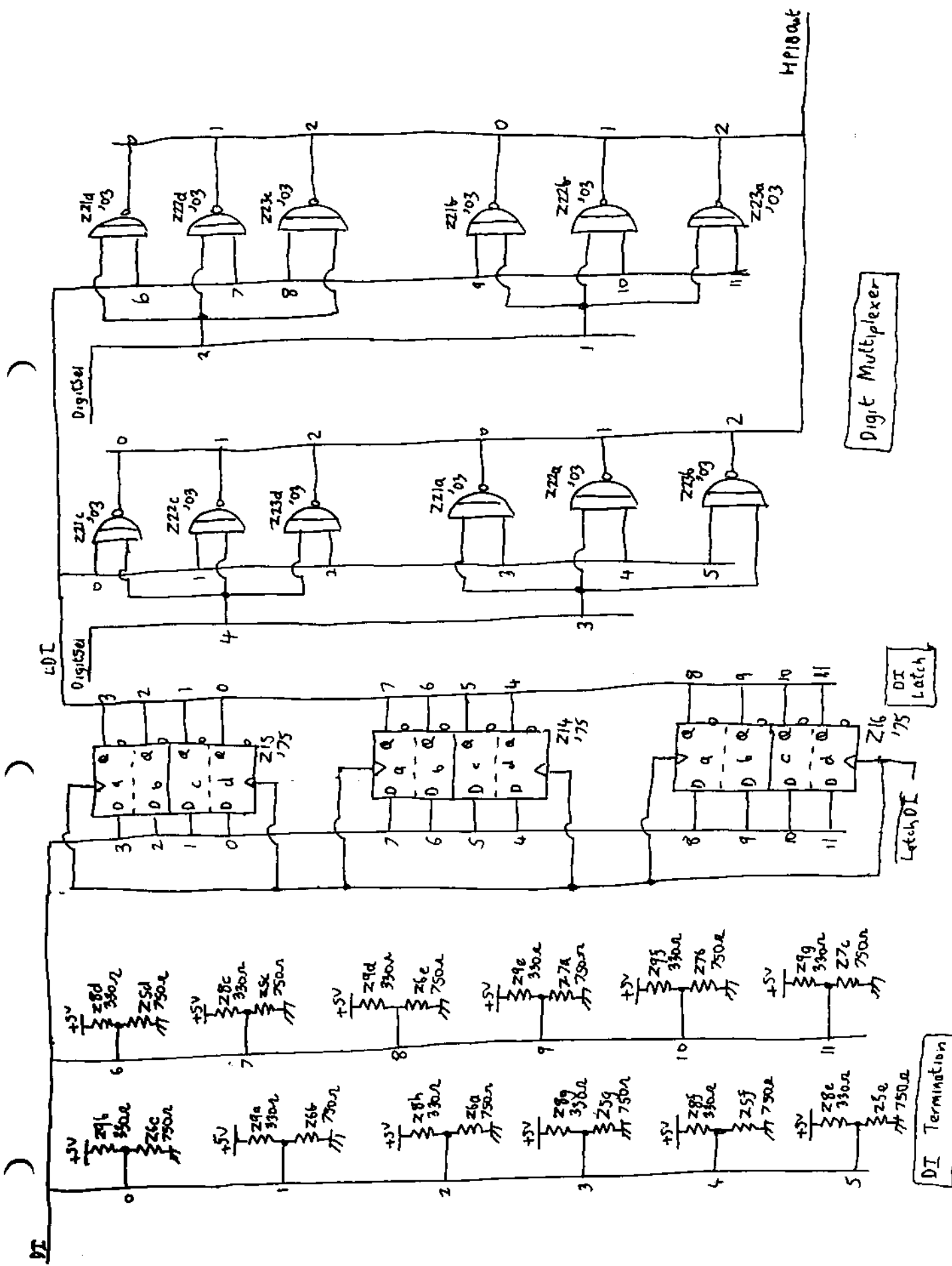


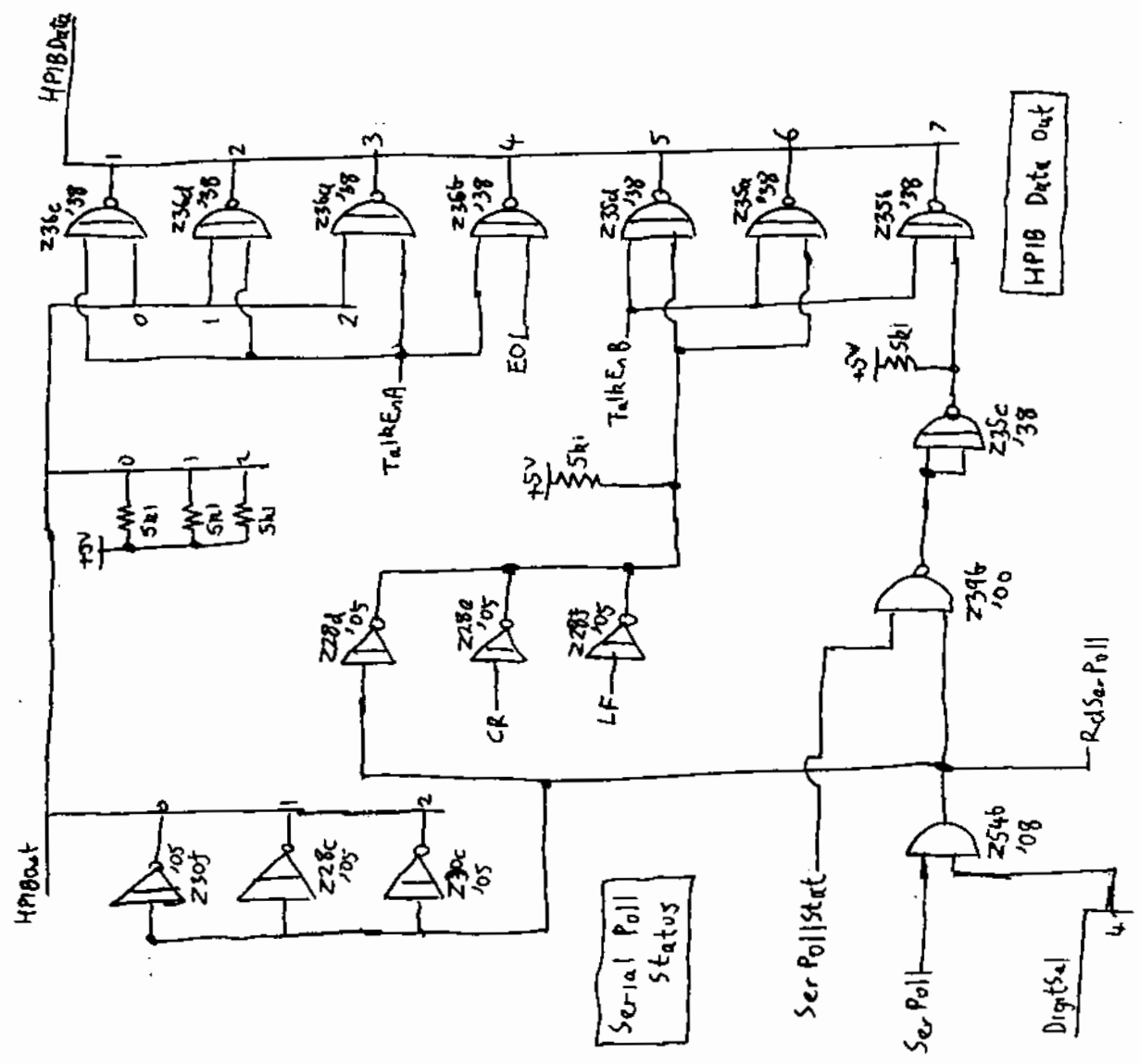






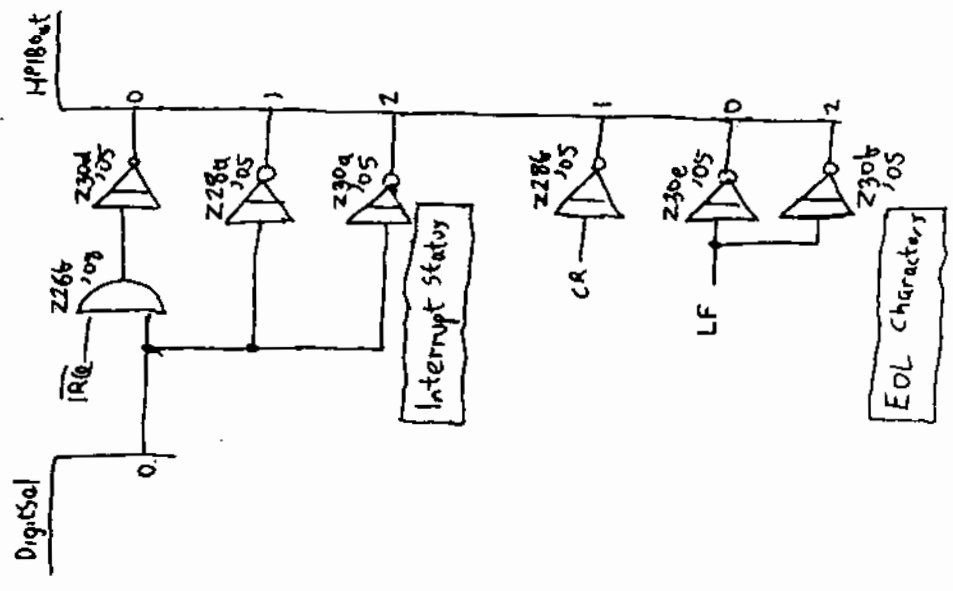
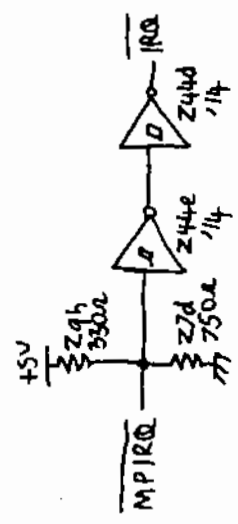
Multi-programmer Data





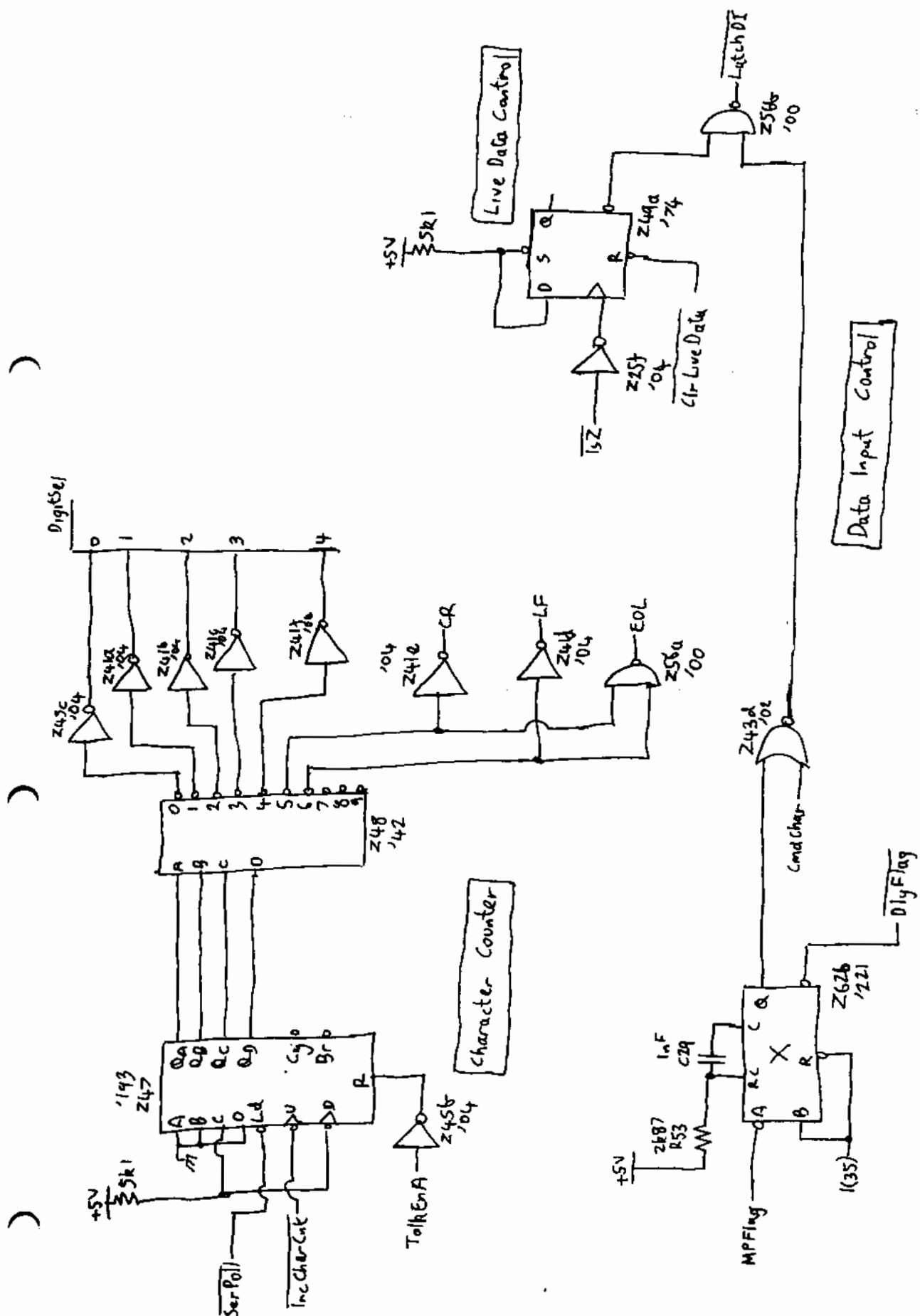
Serial Poll Status

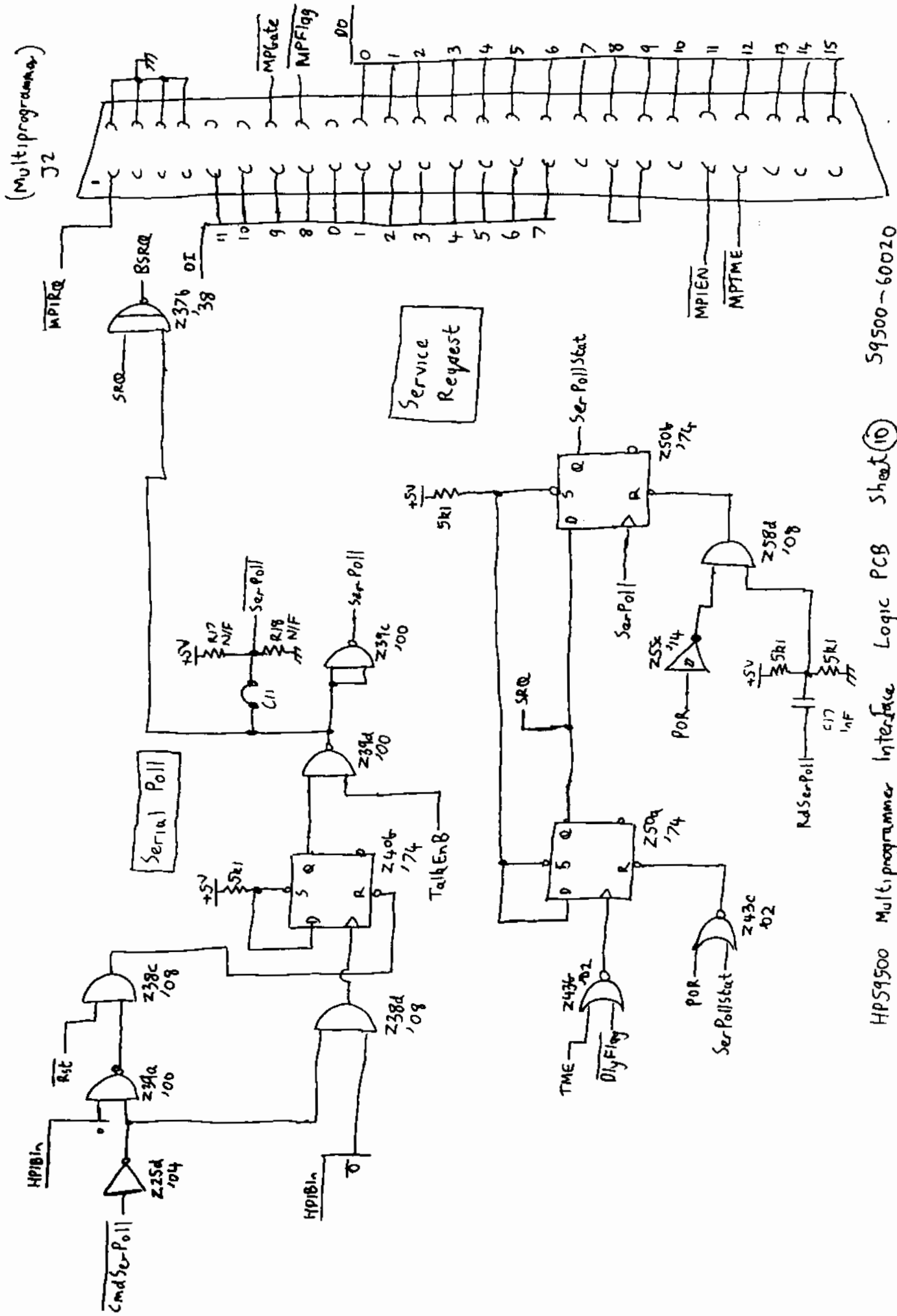
HP18 Data Out

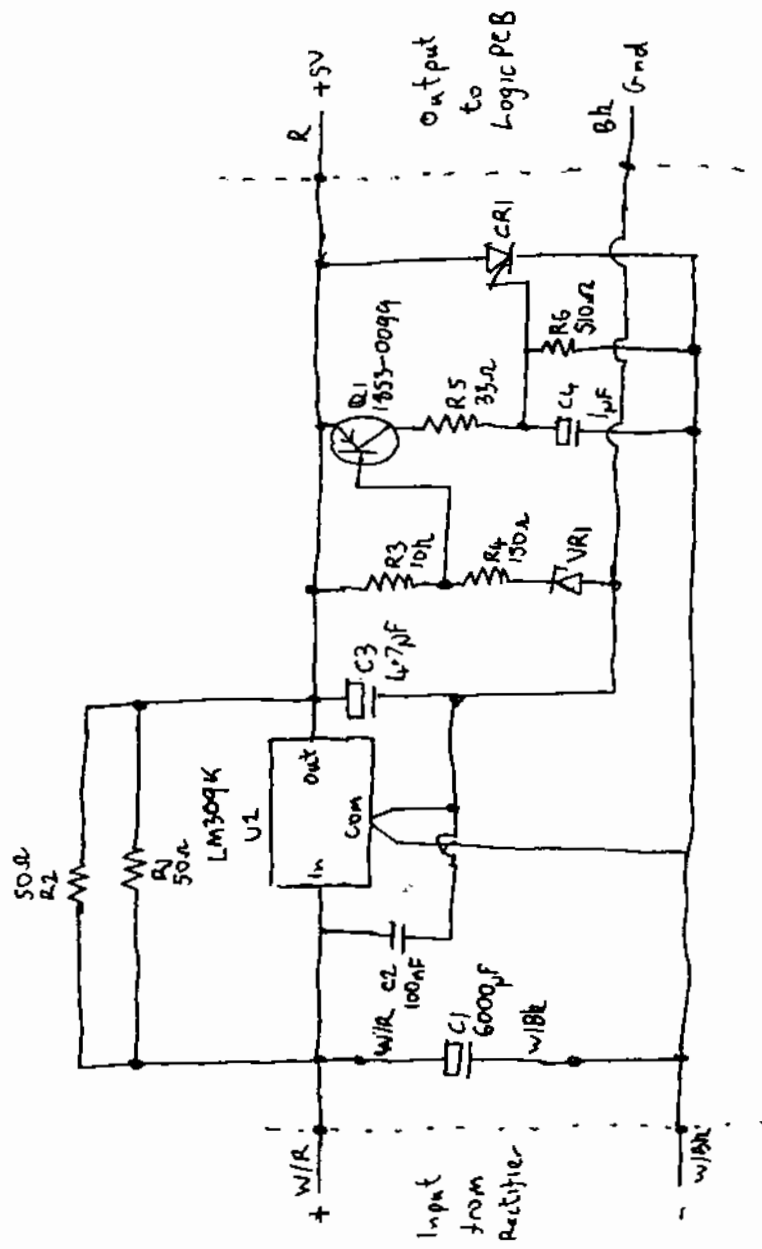


Interrupt Status

EOL Character

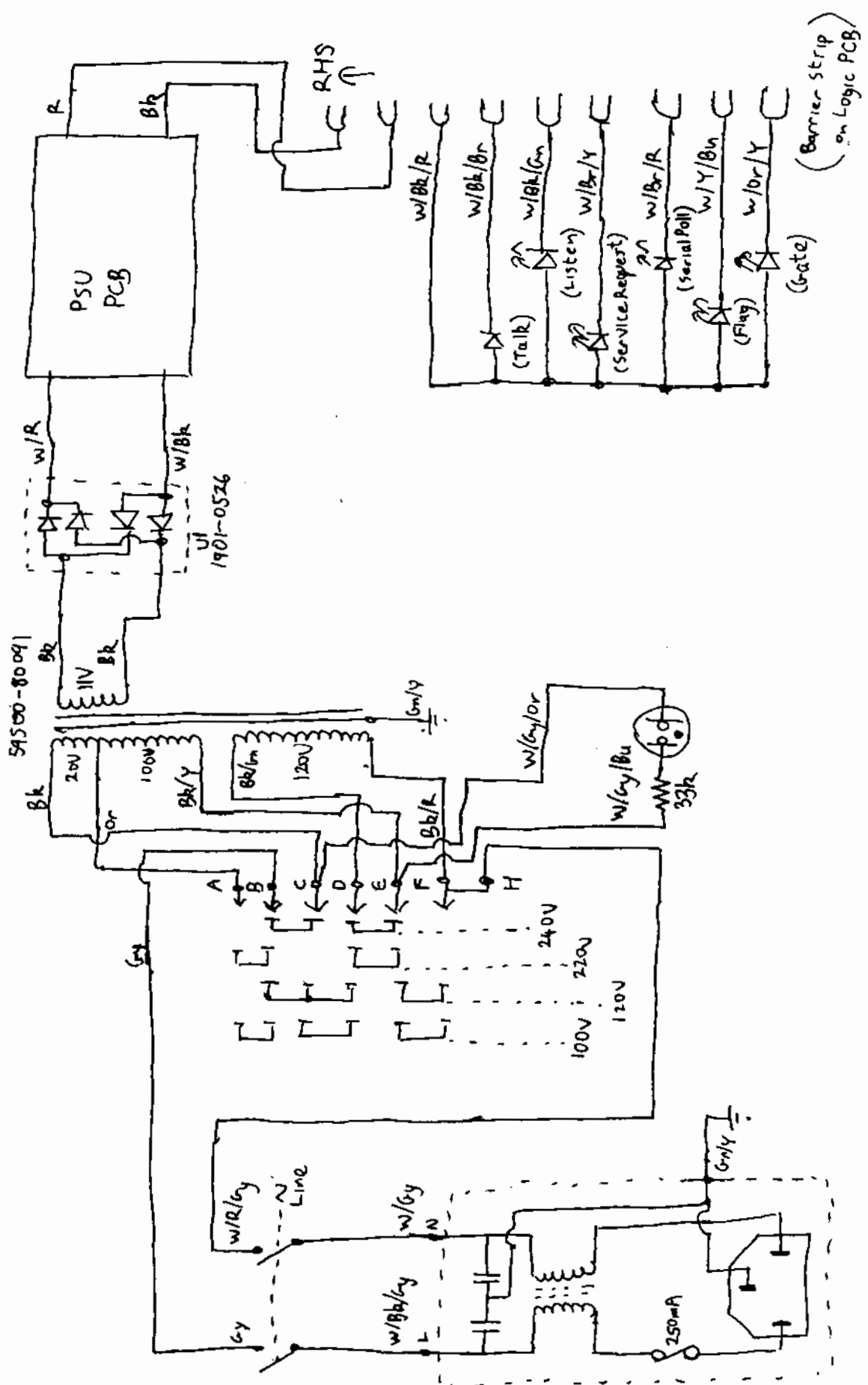






59 500-60021

HP59500 Multi-programmer Interface PSU PCB



HP 9500 Multi-programmer Interface Chassis wiring