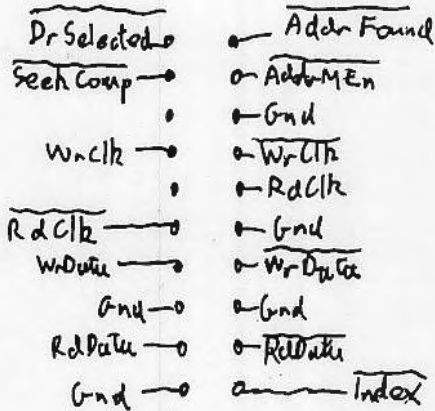
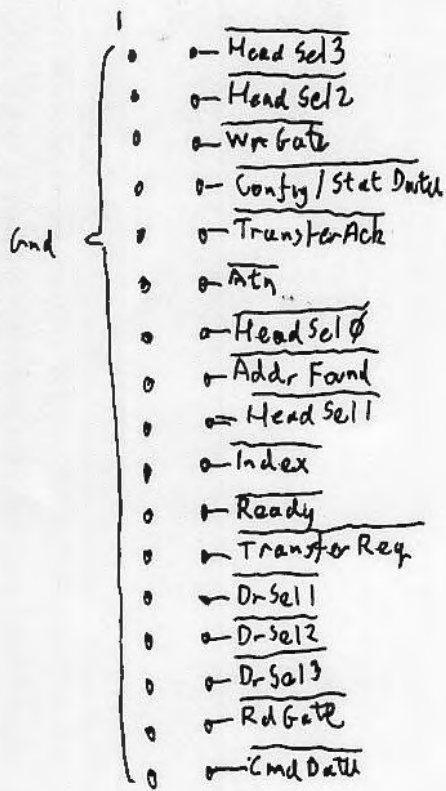


HP7959B



LHS  
↑

- -12V
  - Gnd
  - +12V
  - PVAL
  - X
  - Gnd
  - +5V
  - Gnd
  - +5V
  - Gnd
  - +5V
  - Gnd
  - +12VP
  - Gnd
  - +12VP
- } Fan

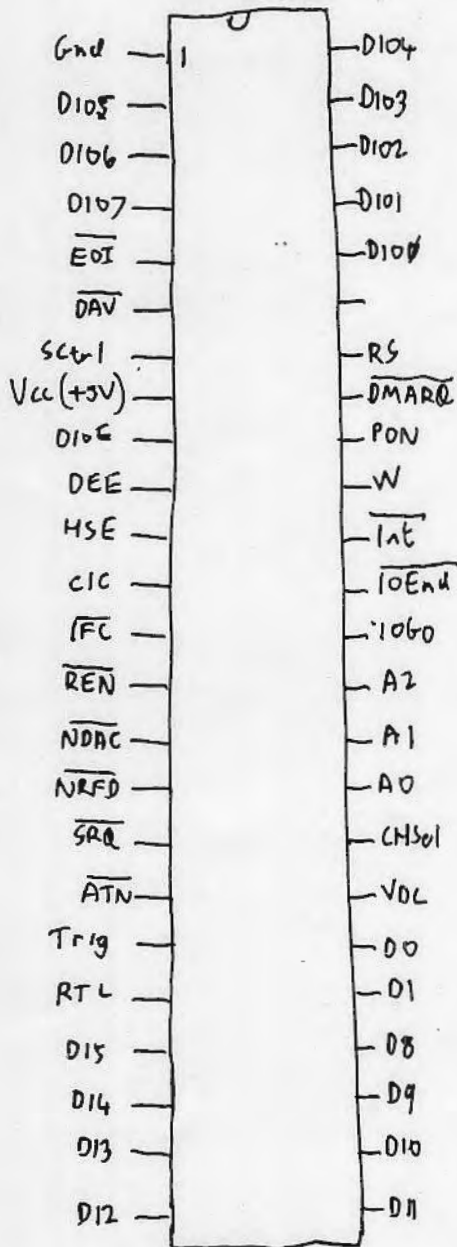
PSU output

LHS  
↑

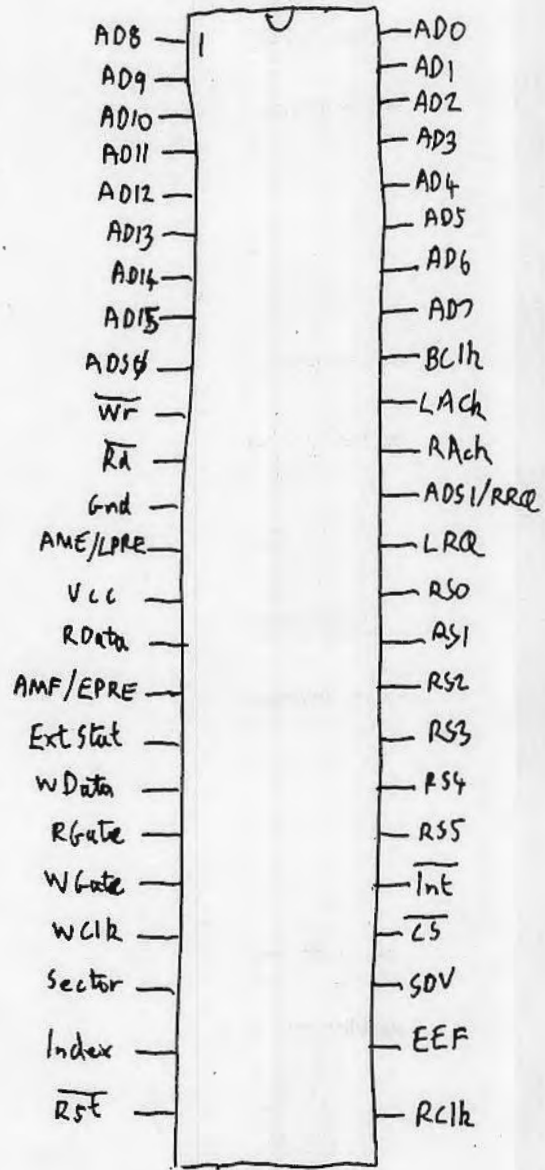
- N/C
- PVAL
- X
- Gnd
- +5V
- Gnd

Controller  
Power

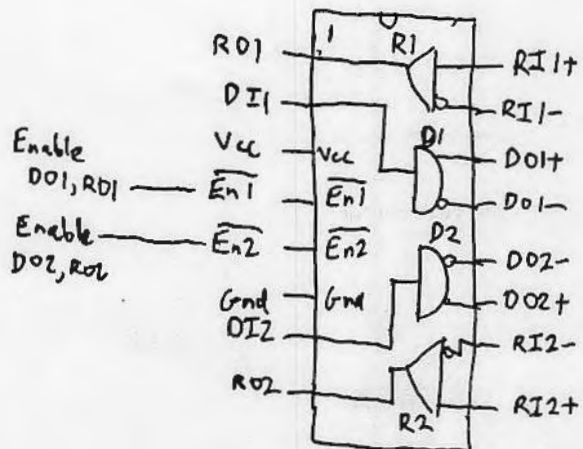
HP7959B



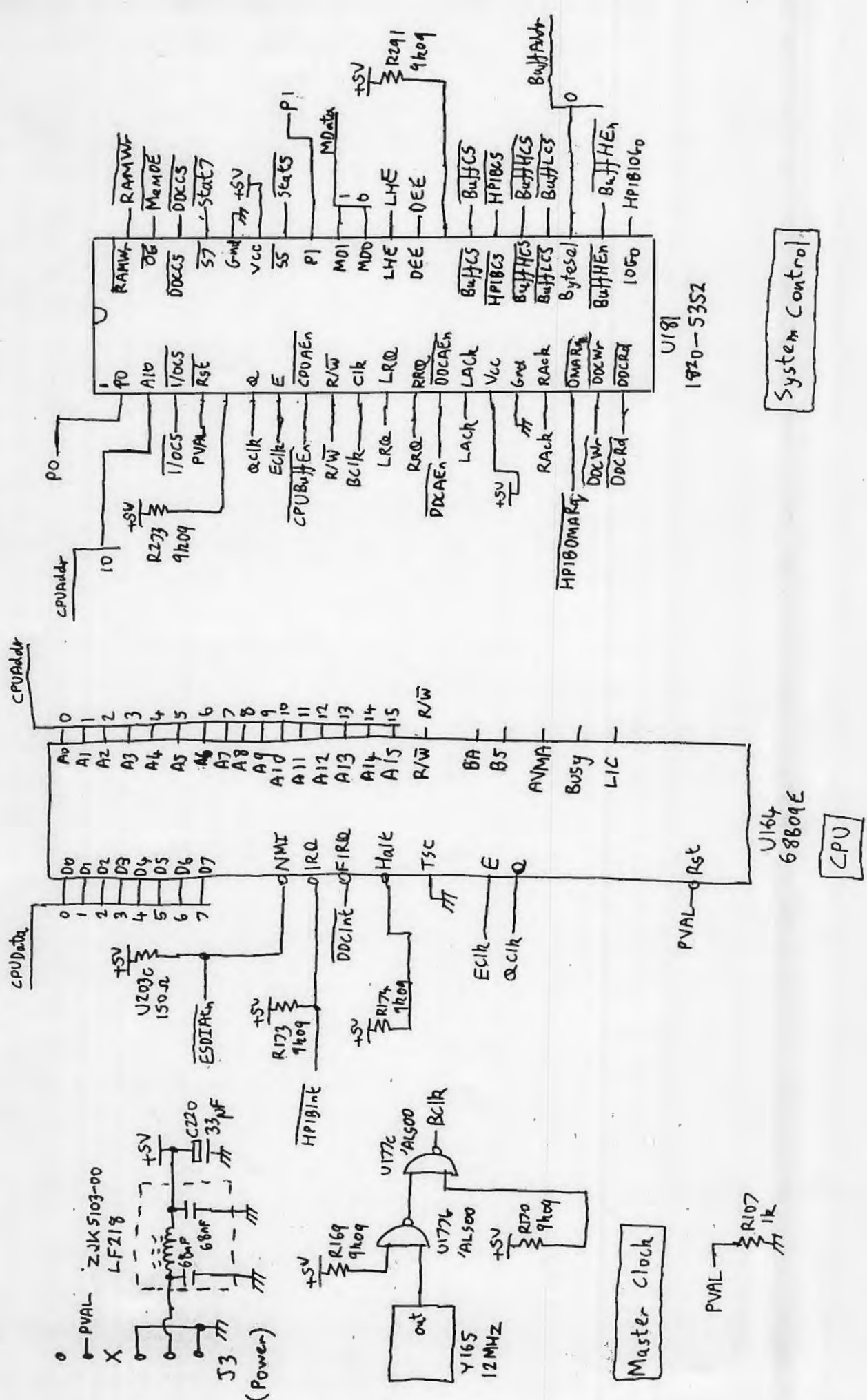
ITLI-0007  
(Medusa)  
HP18 Interface

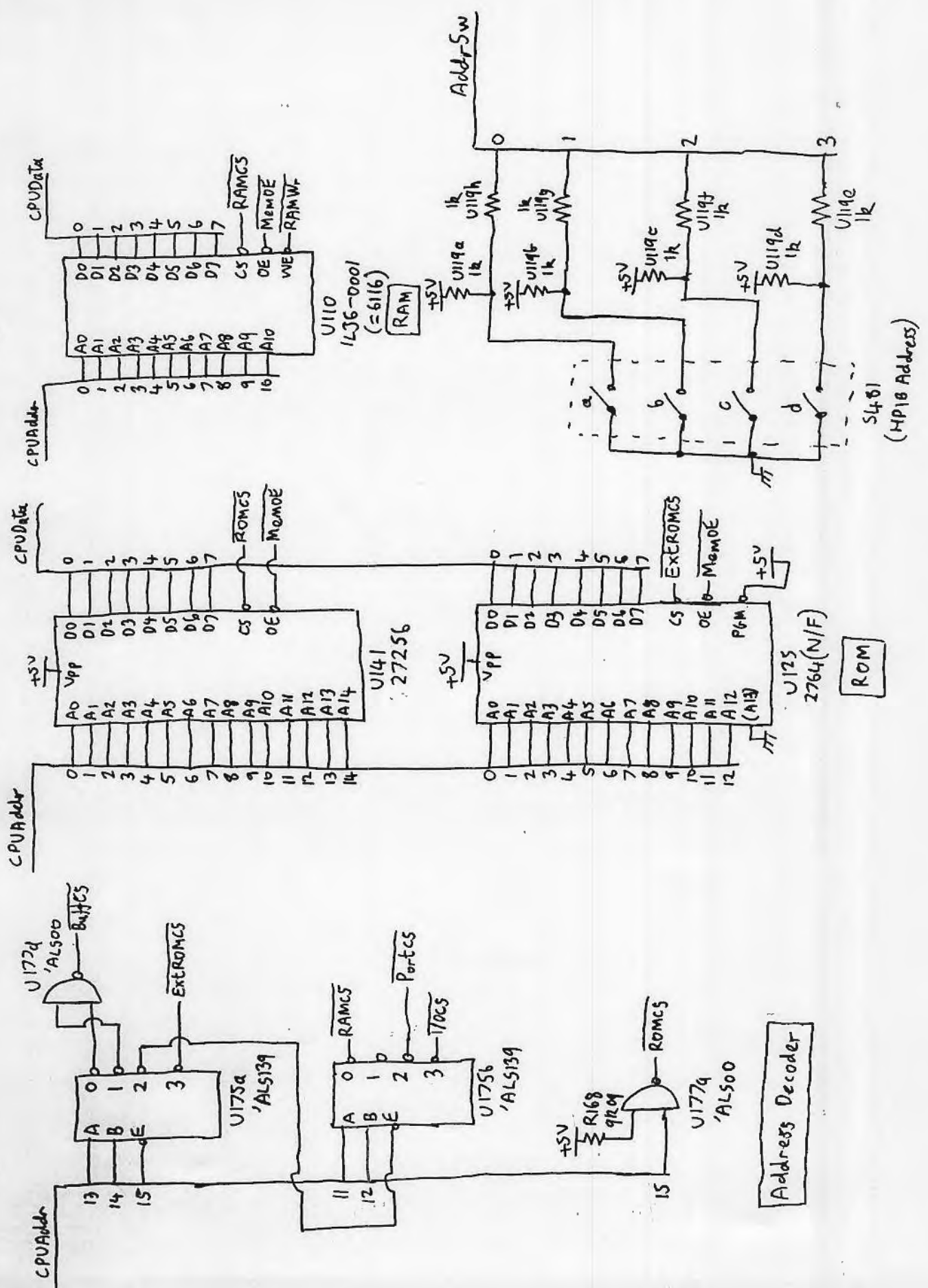


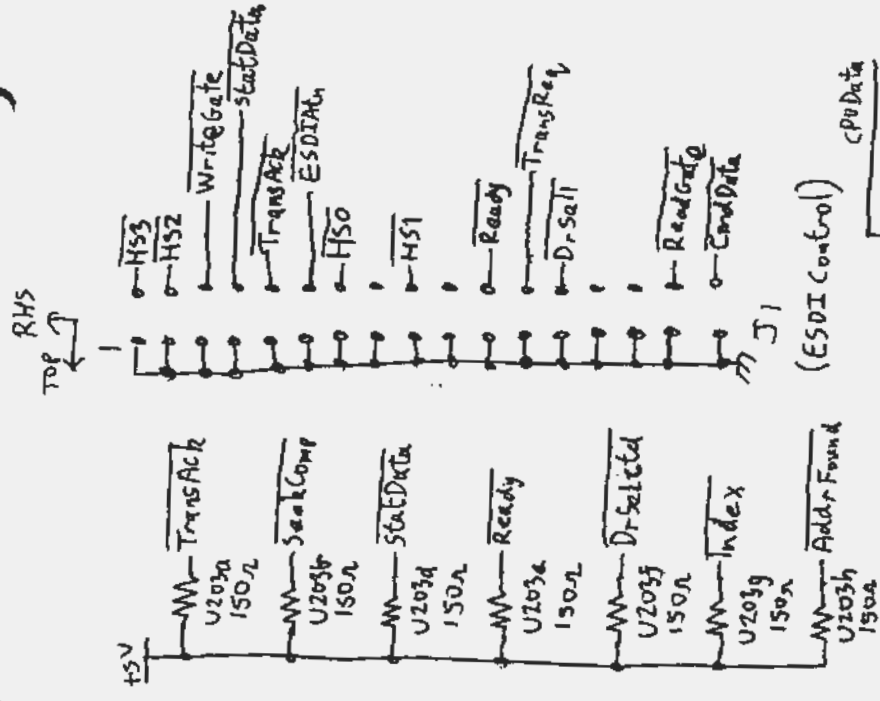
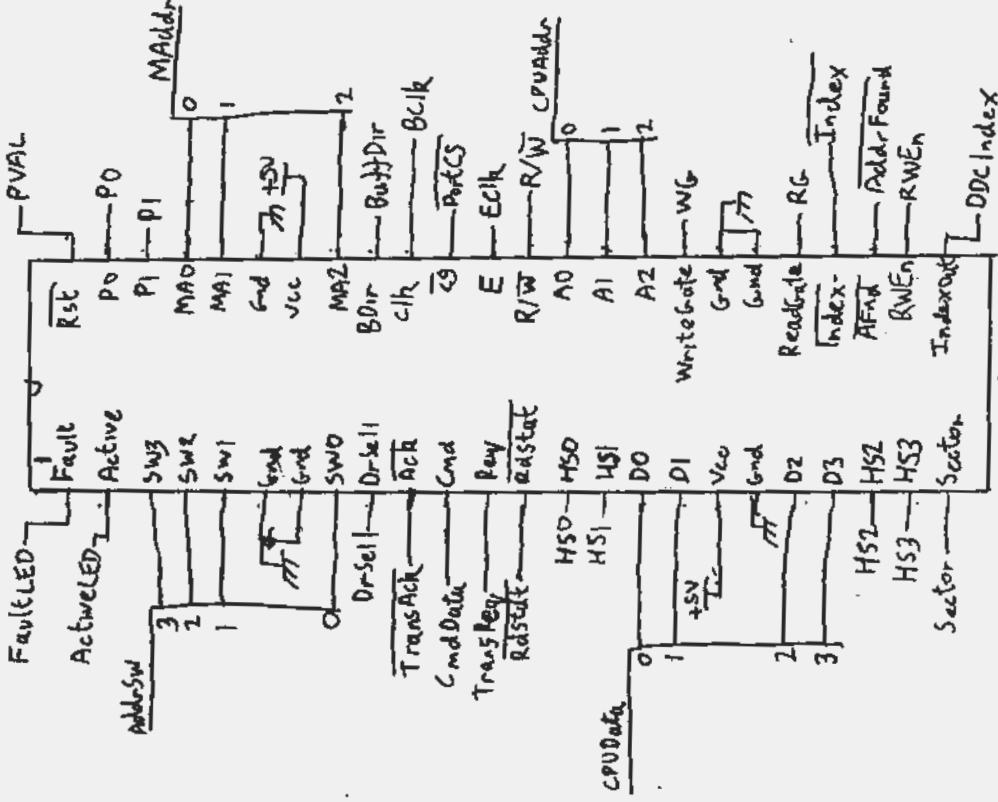
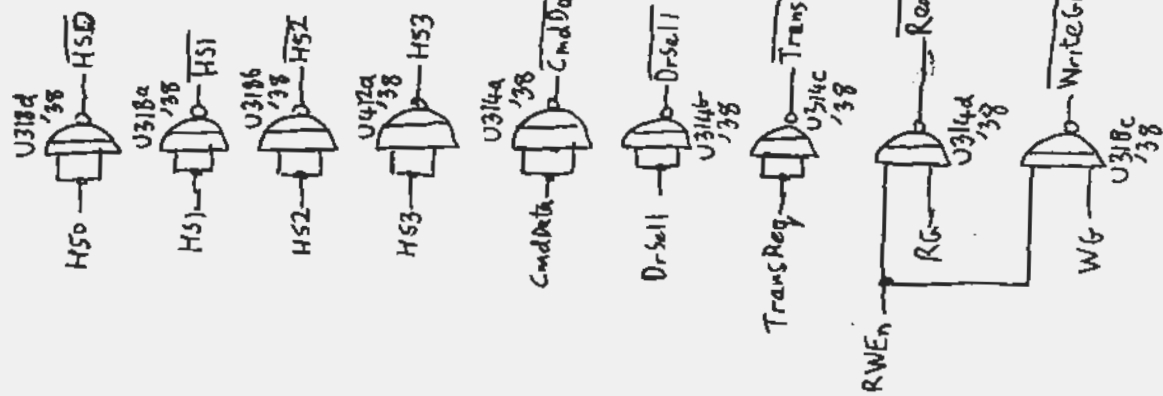
DP8466  
Disk Data Chp  
(DDC)

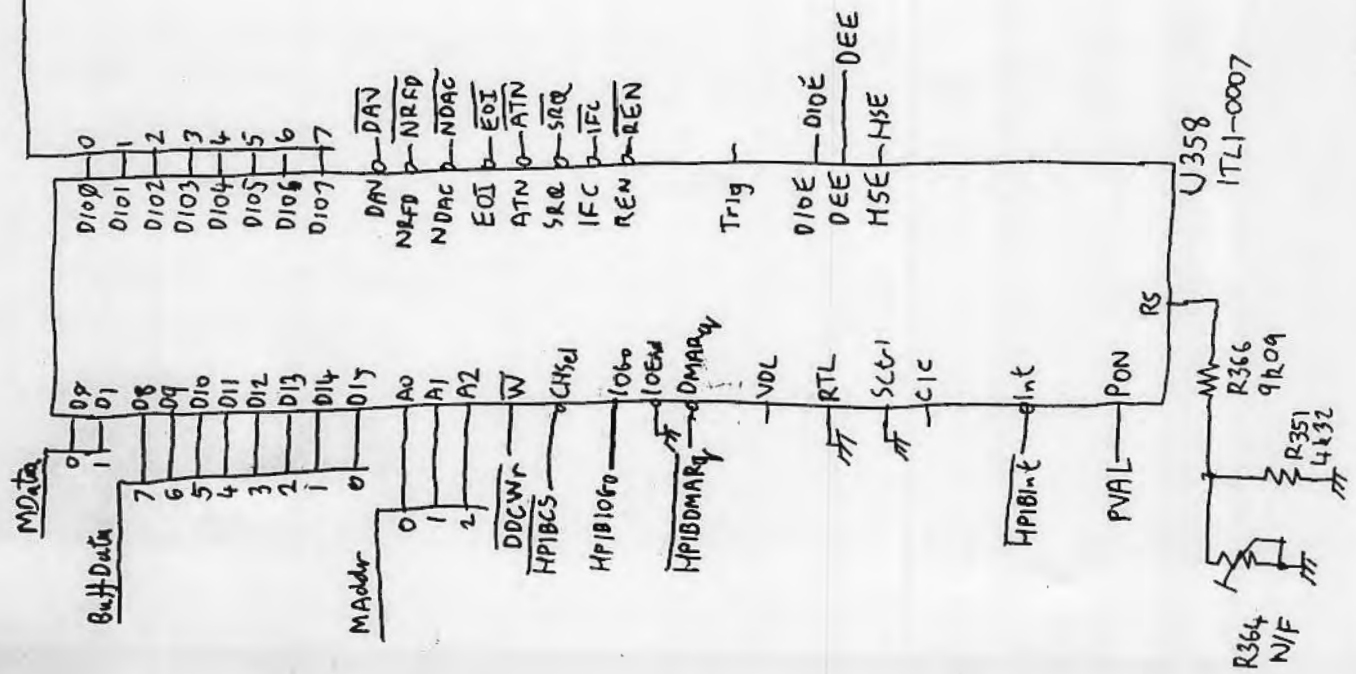
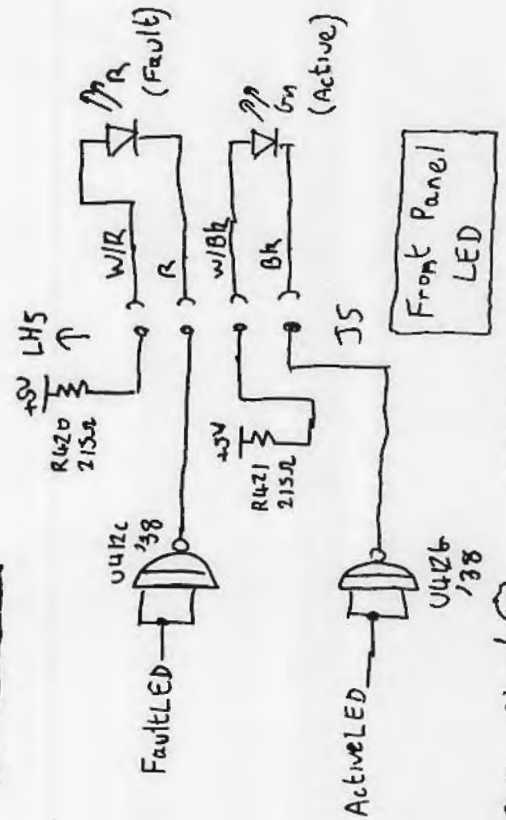
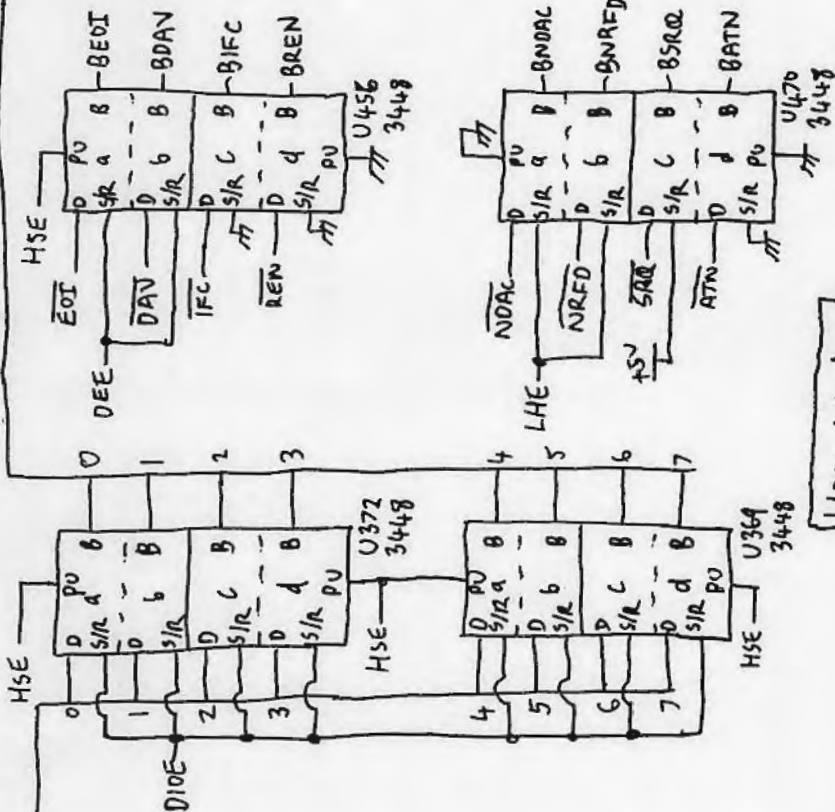
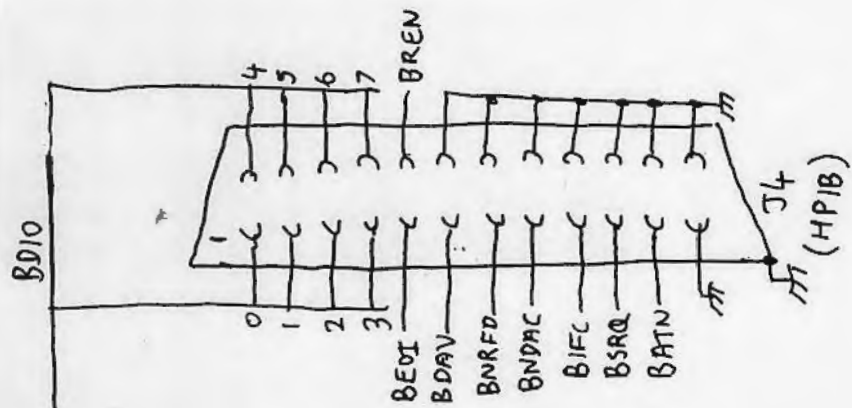


DS8922  
RS422 Buffer

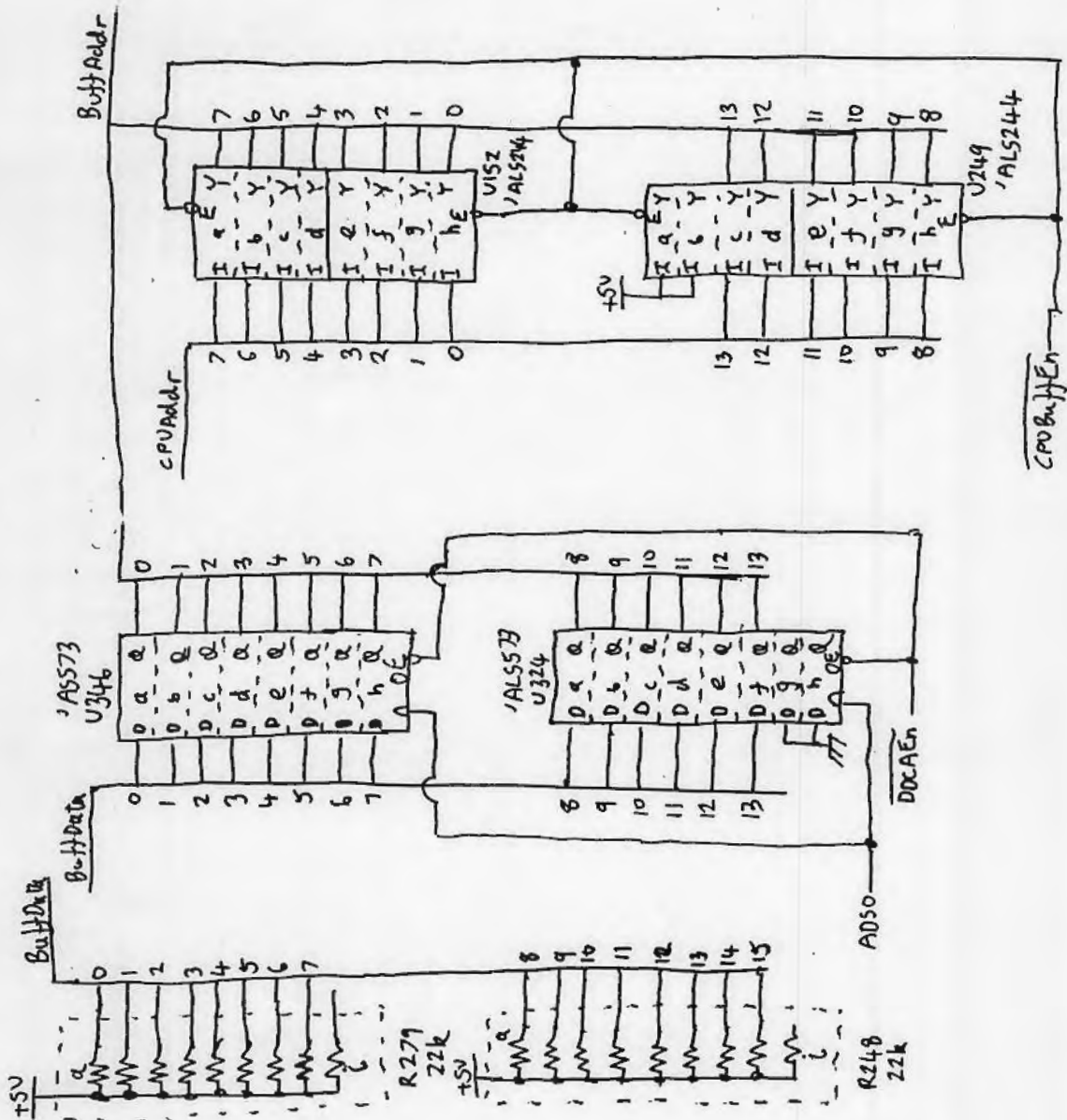




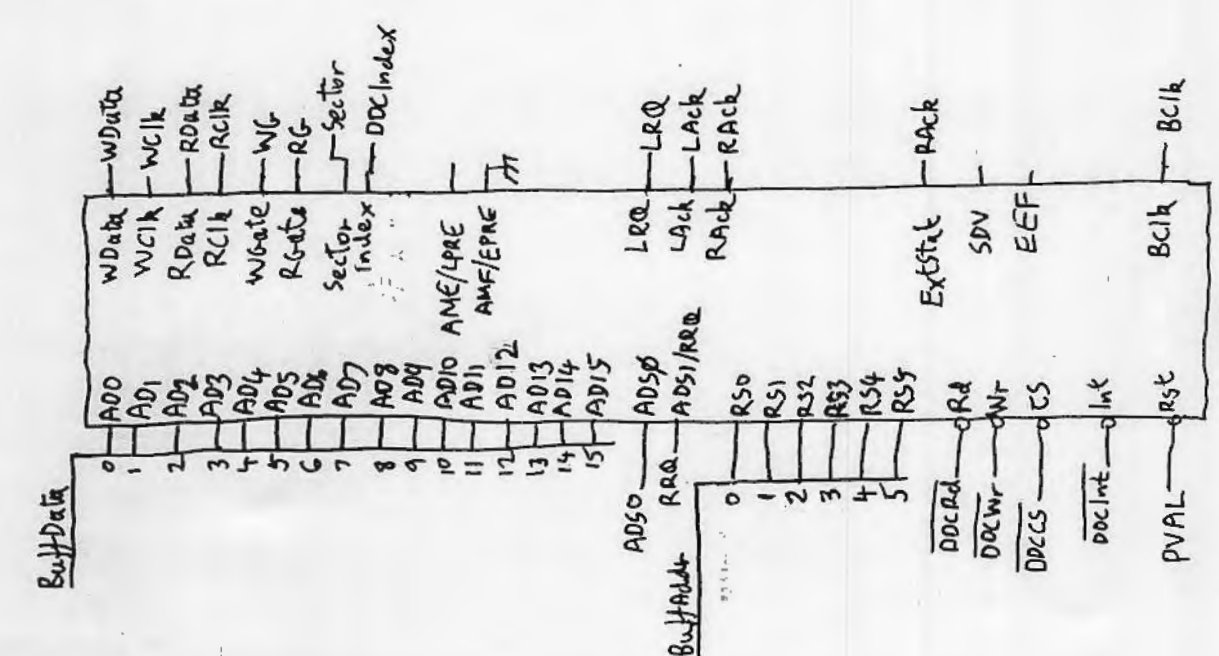




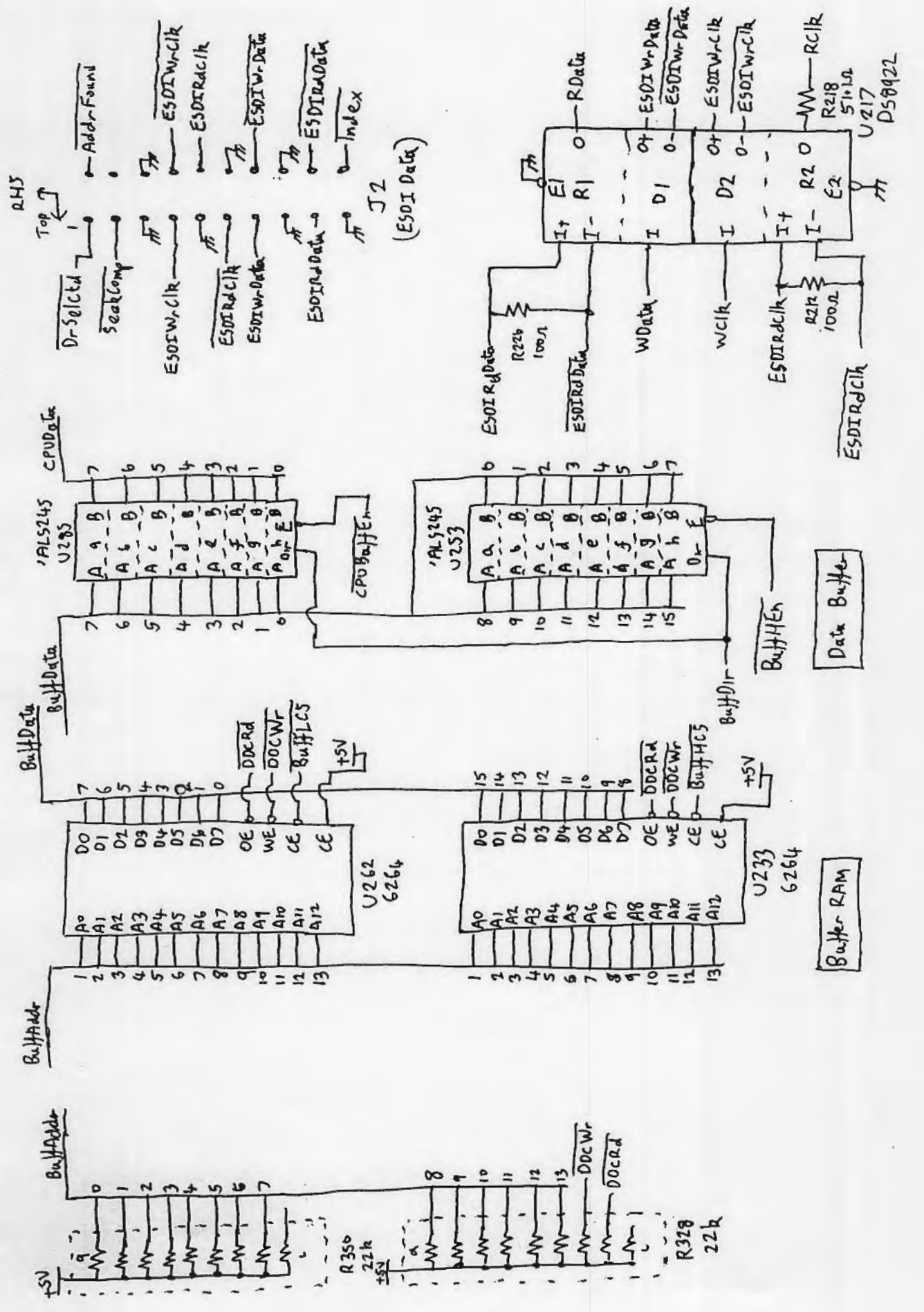
07957-6000



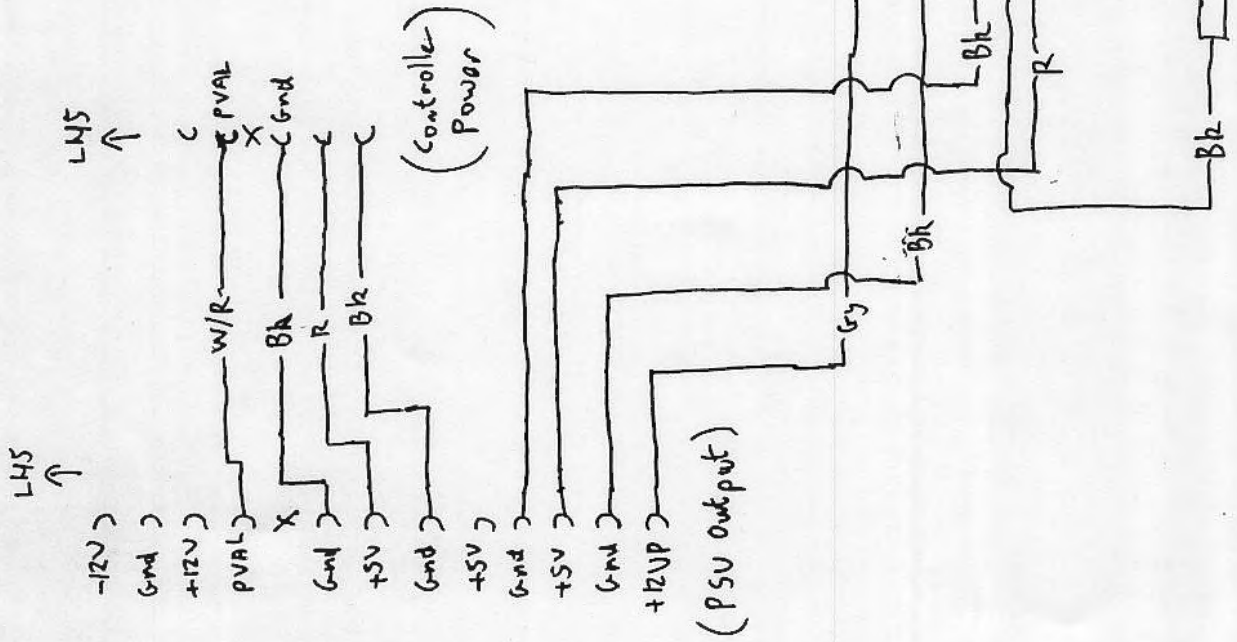
Buffer Address



U336  
DP8466  
DPC





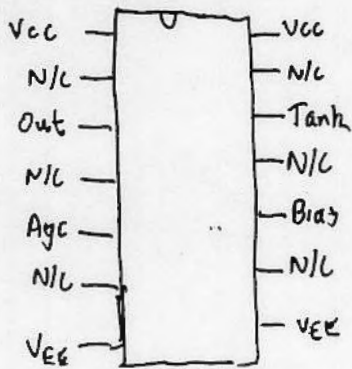


(Faston Tab  
To Disk Chassis)

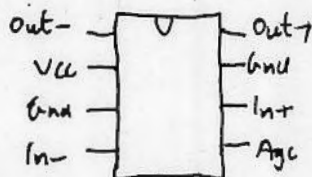
HP 7959B Power Cable

07957-60092

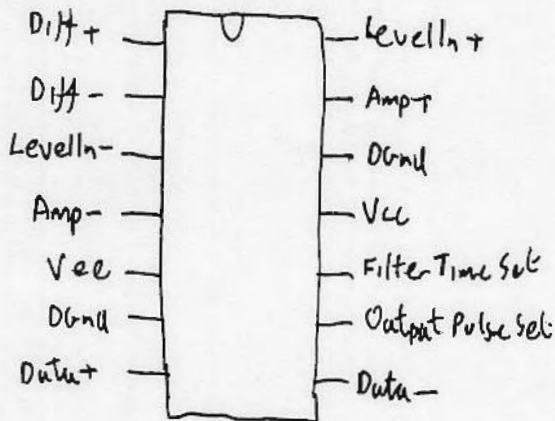
HP 97536



MC1648  
Oscillator



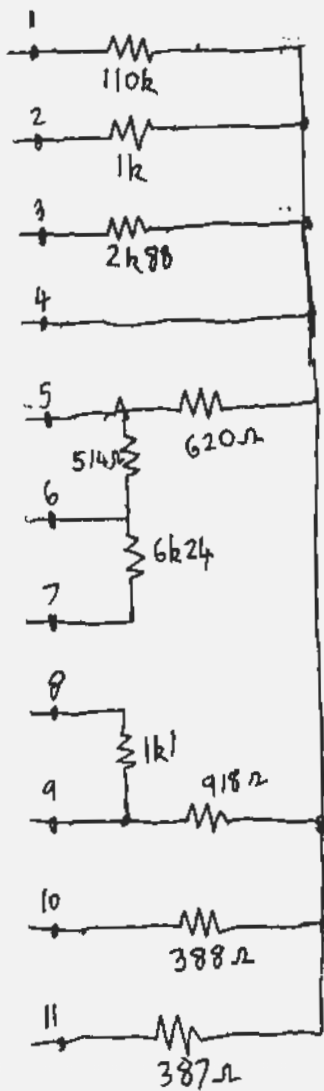
MC1350  
IF Amplifier



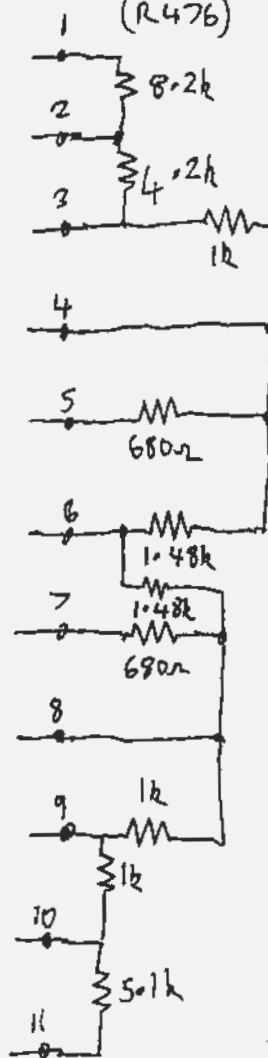
A0891  
Rigid Disk Data Channel Qualifier  
1820-5489

(Thanks to Steven Canning for identification  
of this IC)

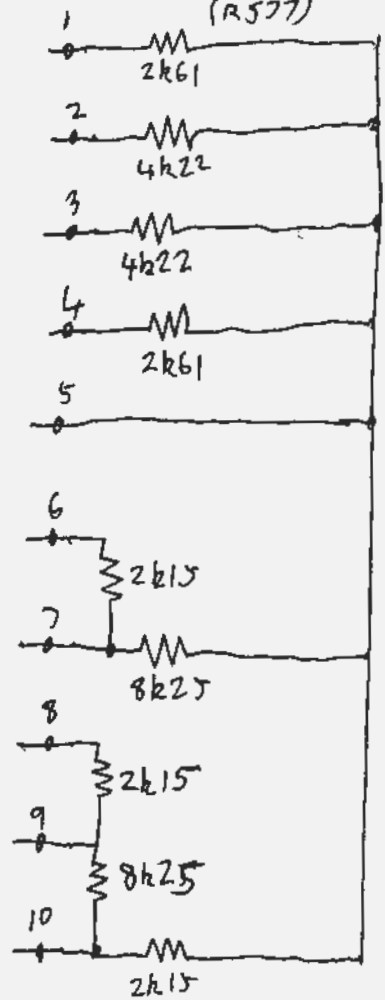
Resistor Array (R355)  
1810-1135

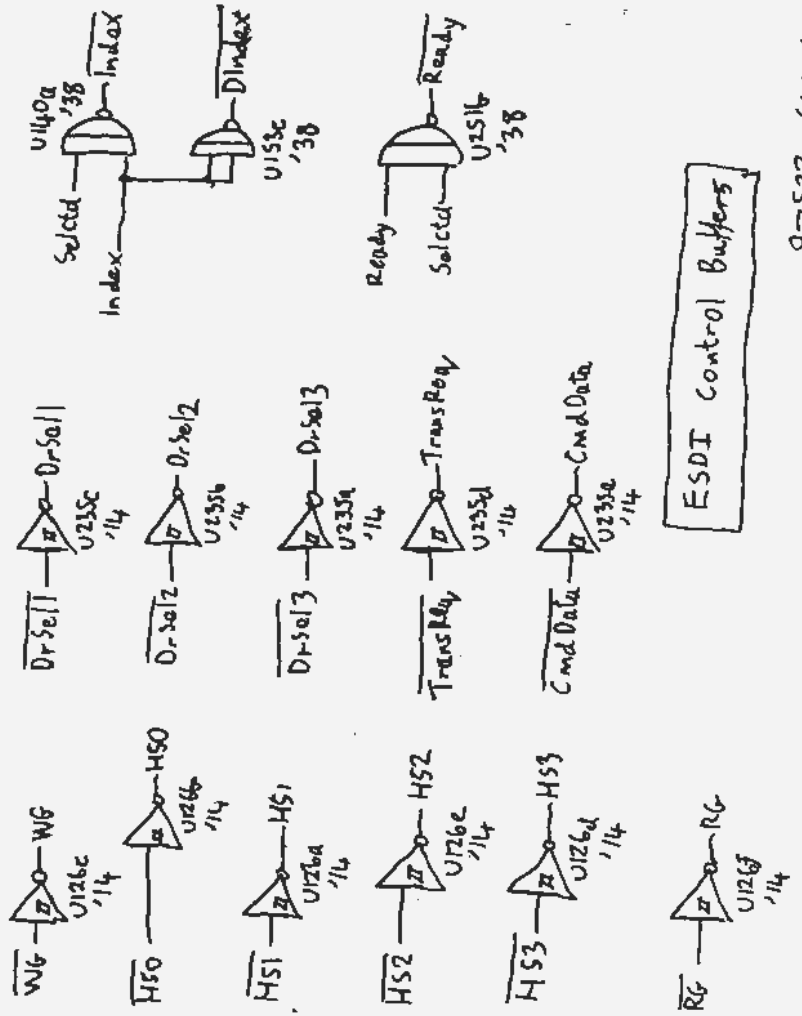
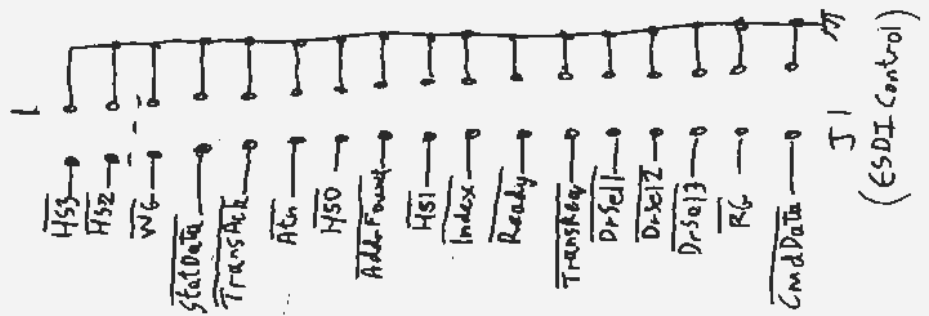
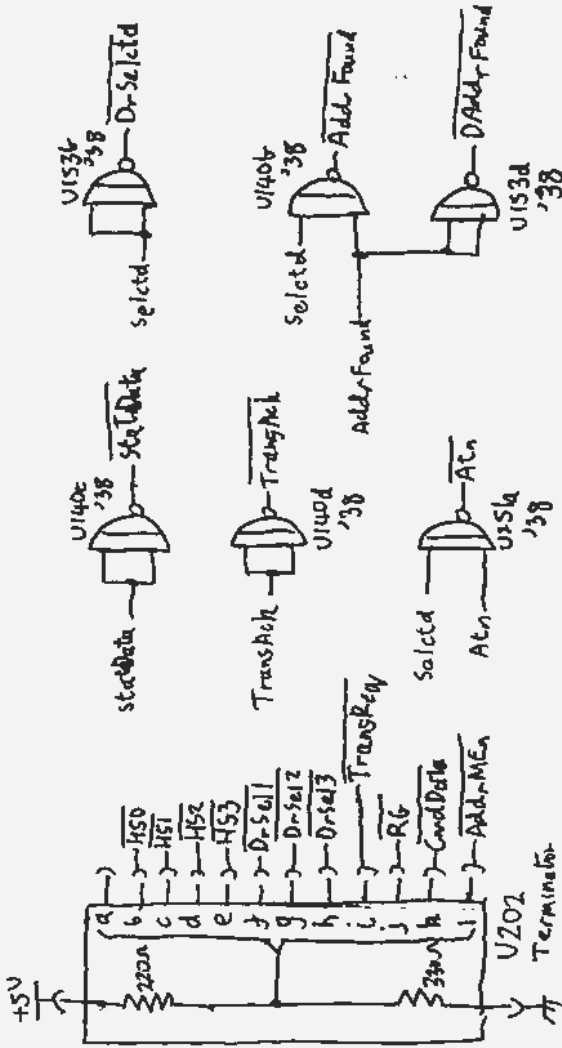
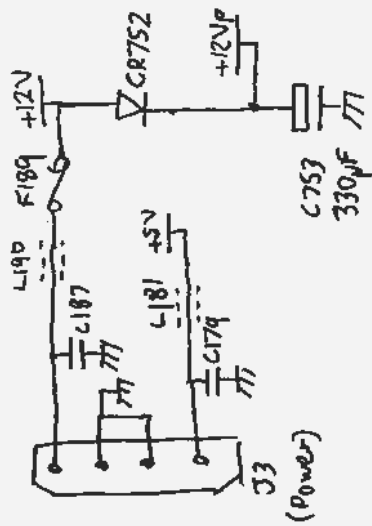


Resistor Array  
1810-1133  
(R476)



Resistor Array  
T5723  
(R577)





ESDI Control Buffers





HallSense

2

1

0

+12V<sub>M</sub>

Motor-En

X

M<sub>0</sub>A

M<sub>0</sub>B

M<sub>0</sub>C

J6

(Spindle Motor)

+12V

CR781

+12V<sub>M</sub>

C785

330 $\mu$ F

+12V<sub>M</sub>

Motor-En

HallSense

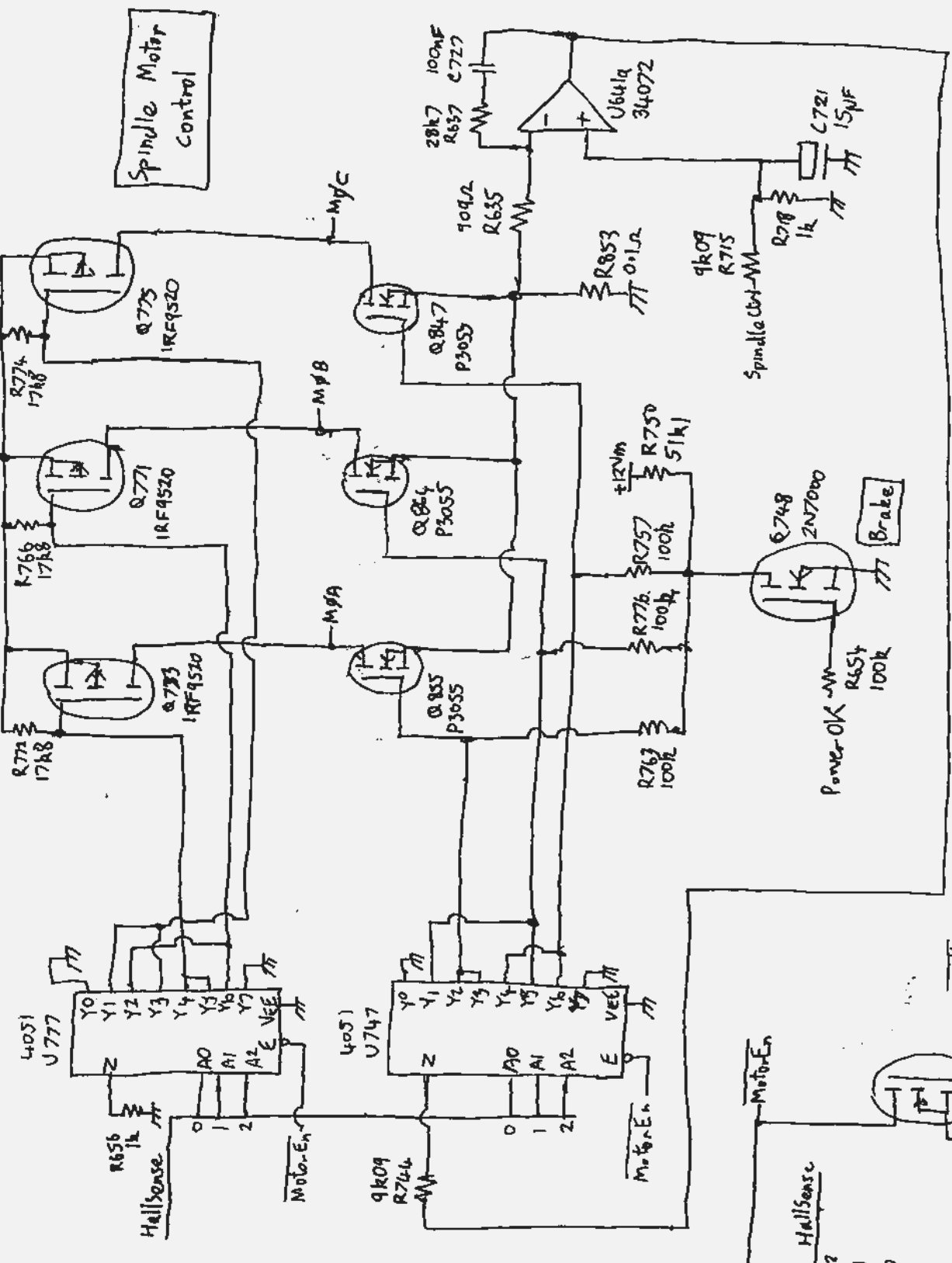
2

1

0

E

R759

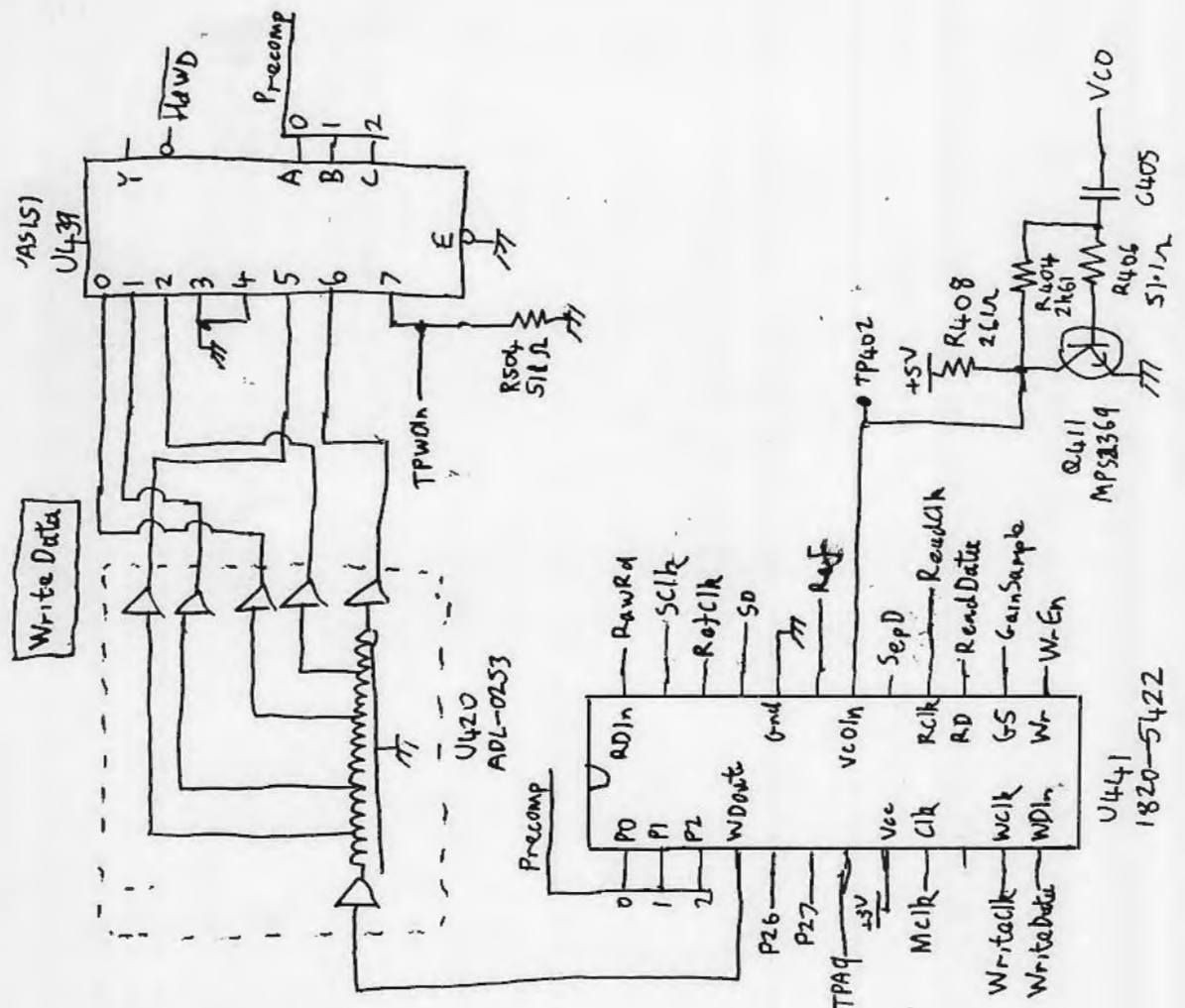
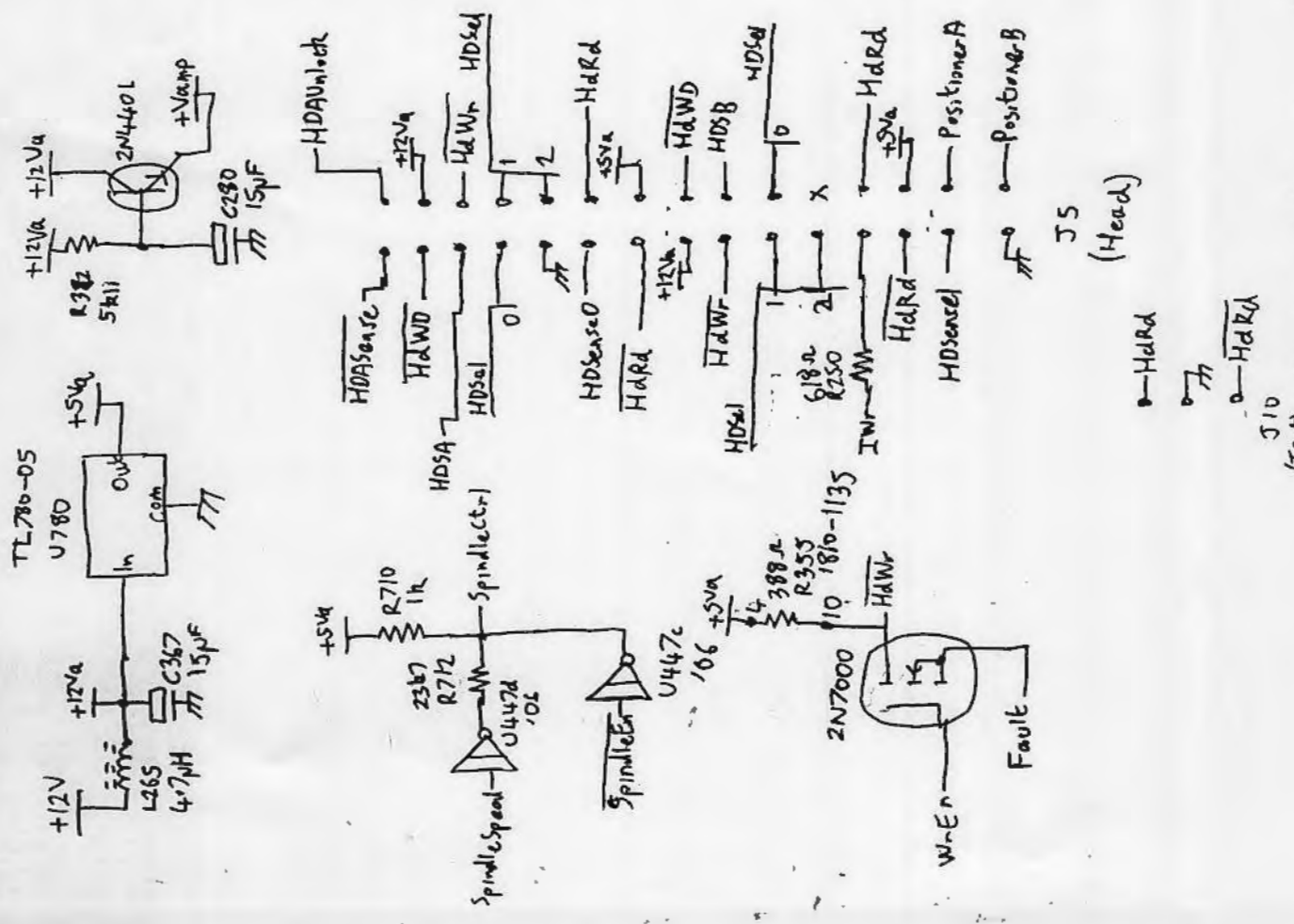


Spindle Motor Control

Spindle CB4-M

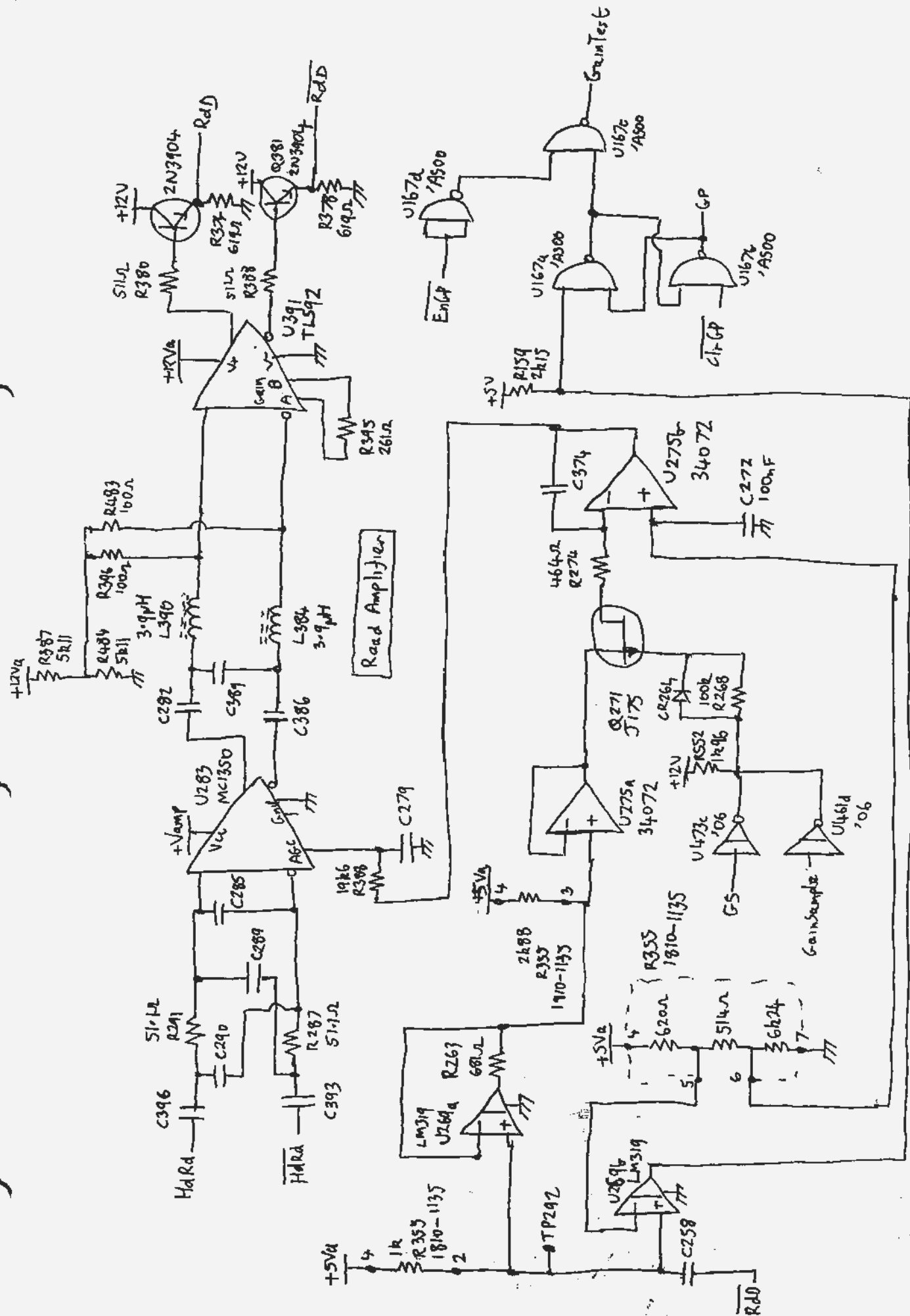
Power-OK

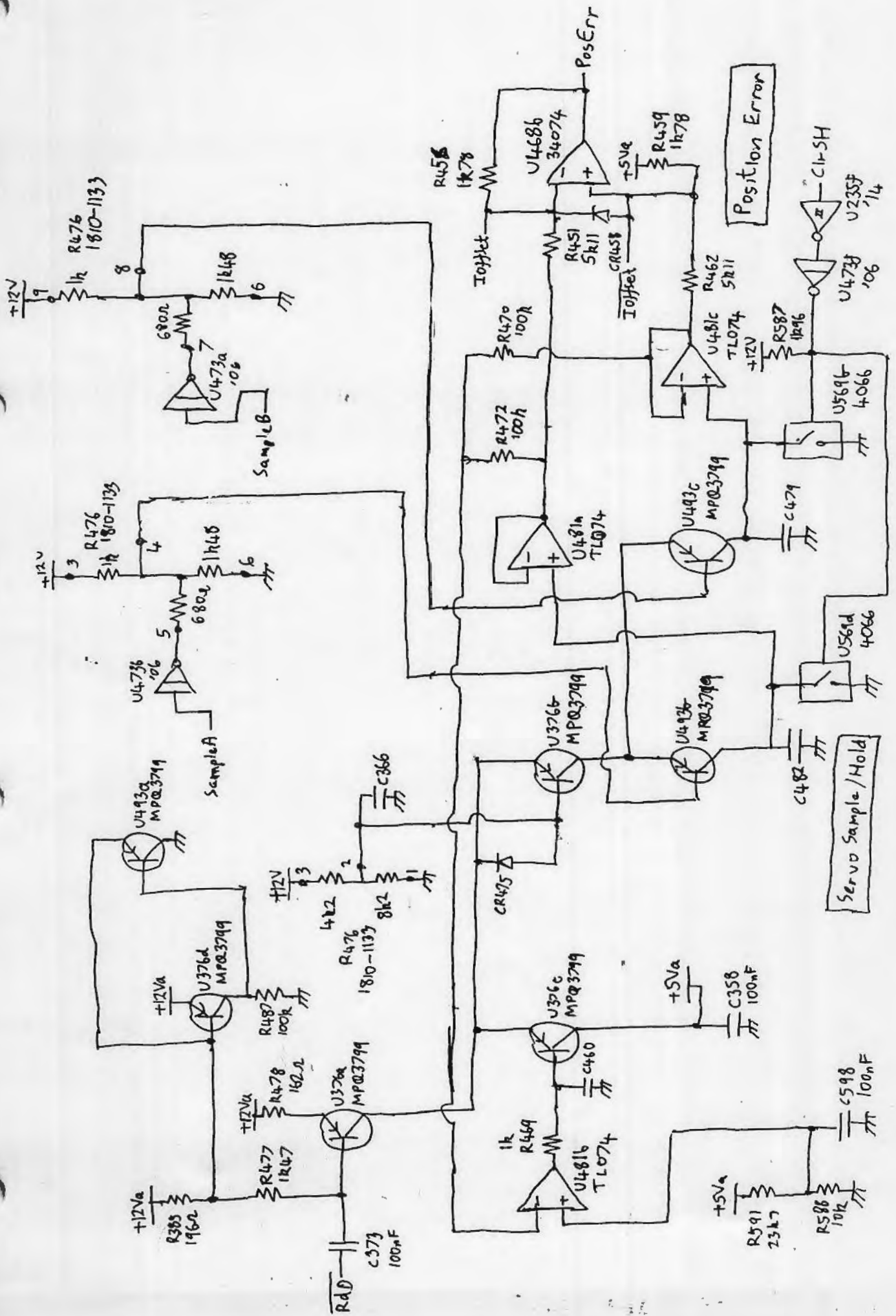
Brake

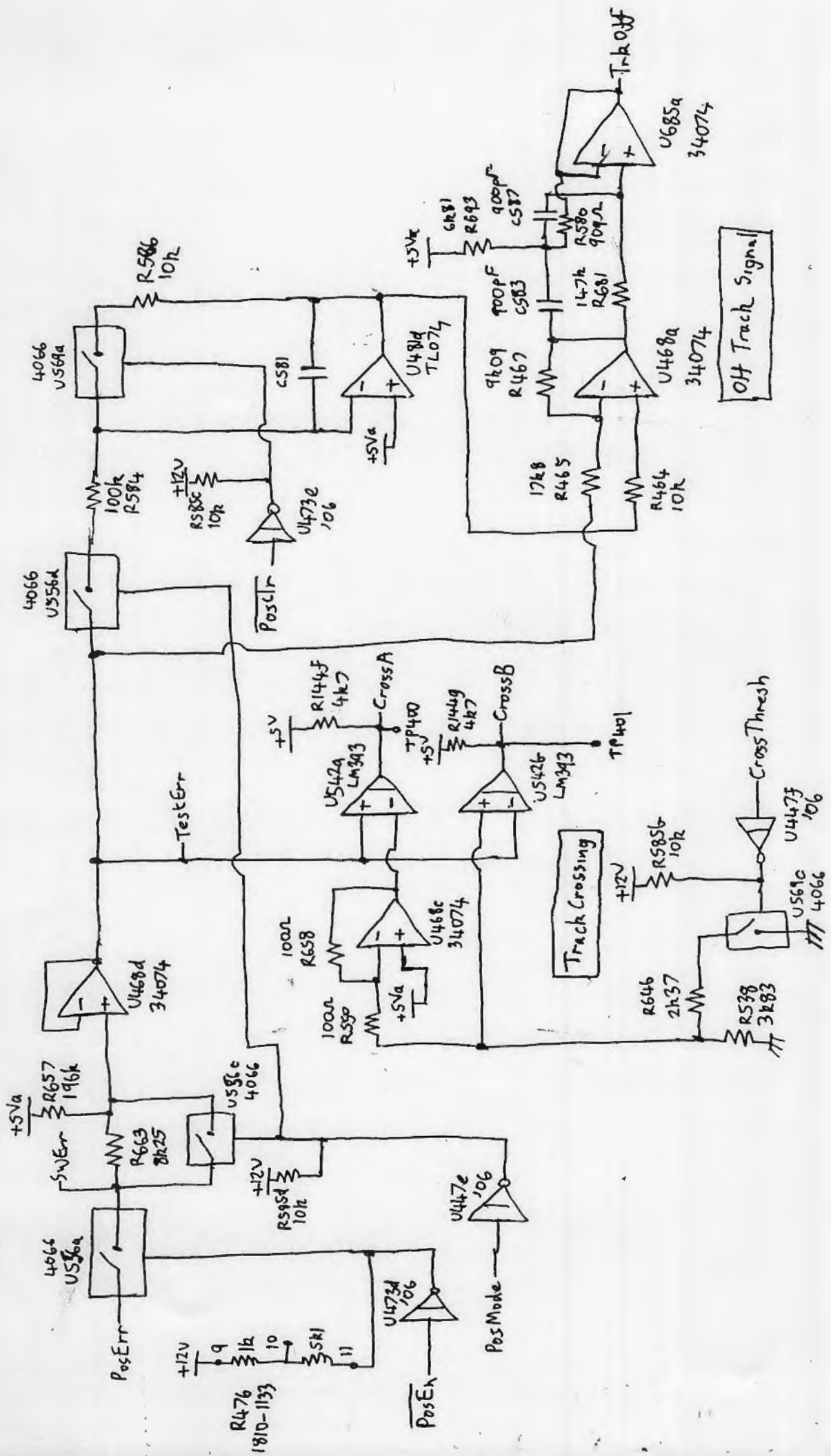


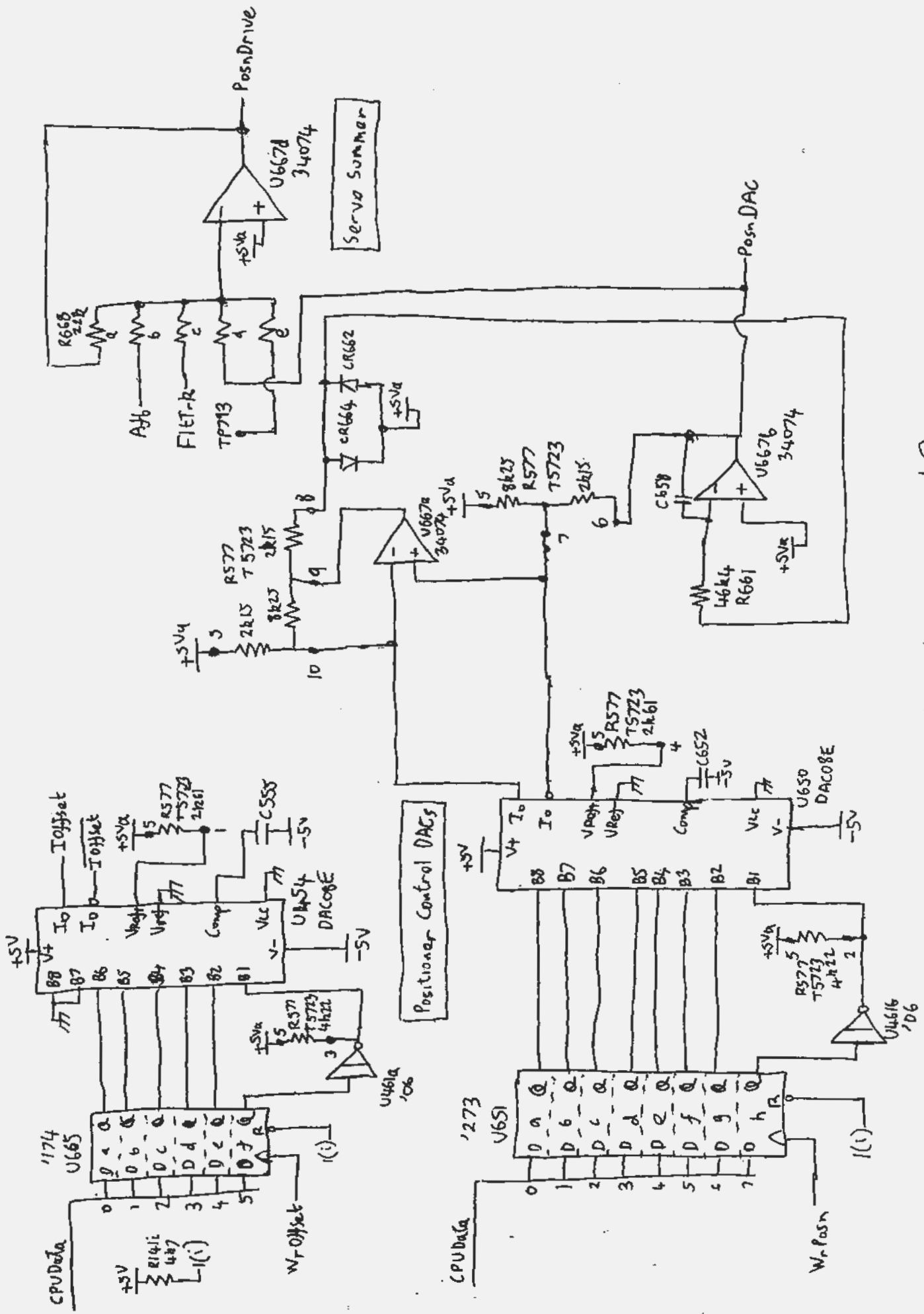
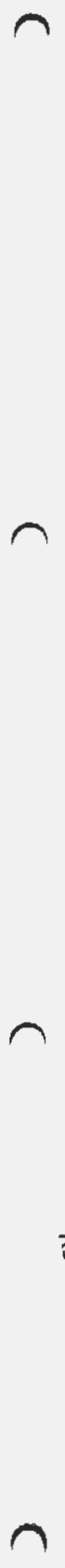
HP 97536 Disk Drive Logic PCB Sheet 5 97533-60004

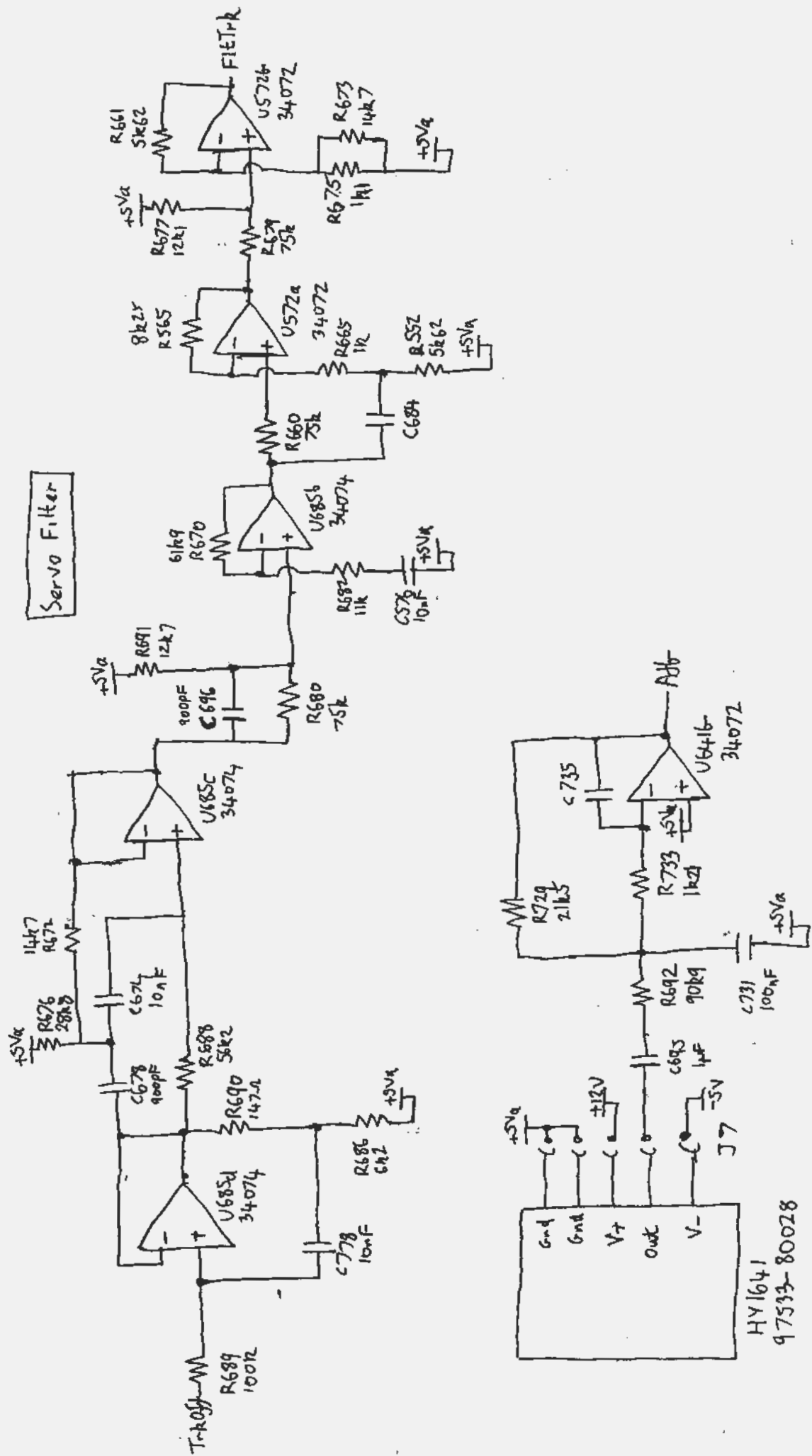


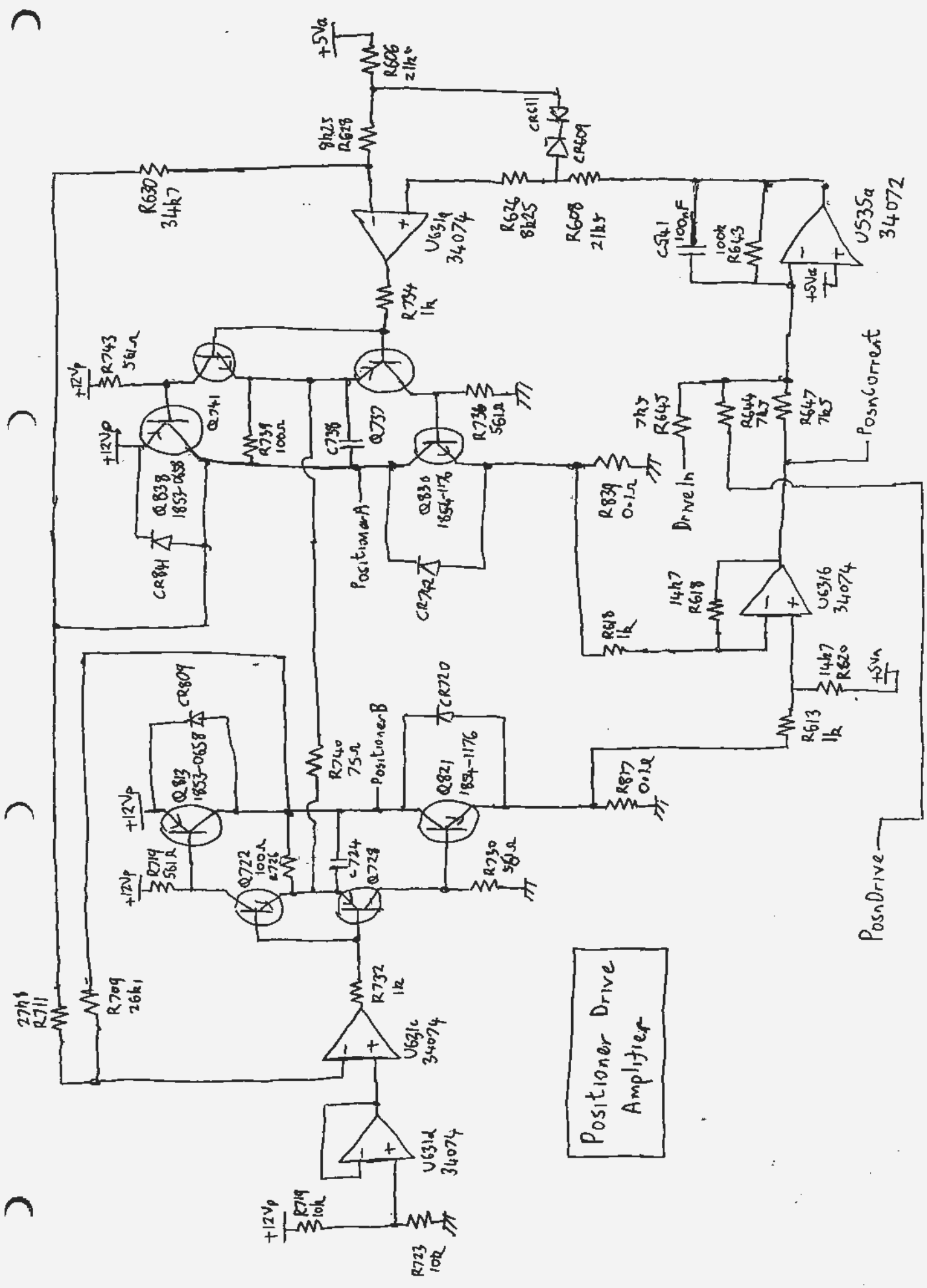




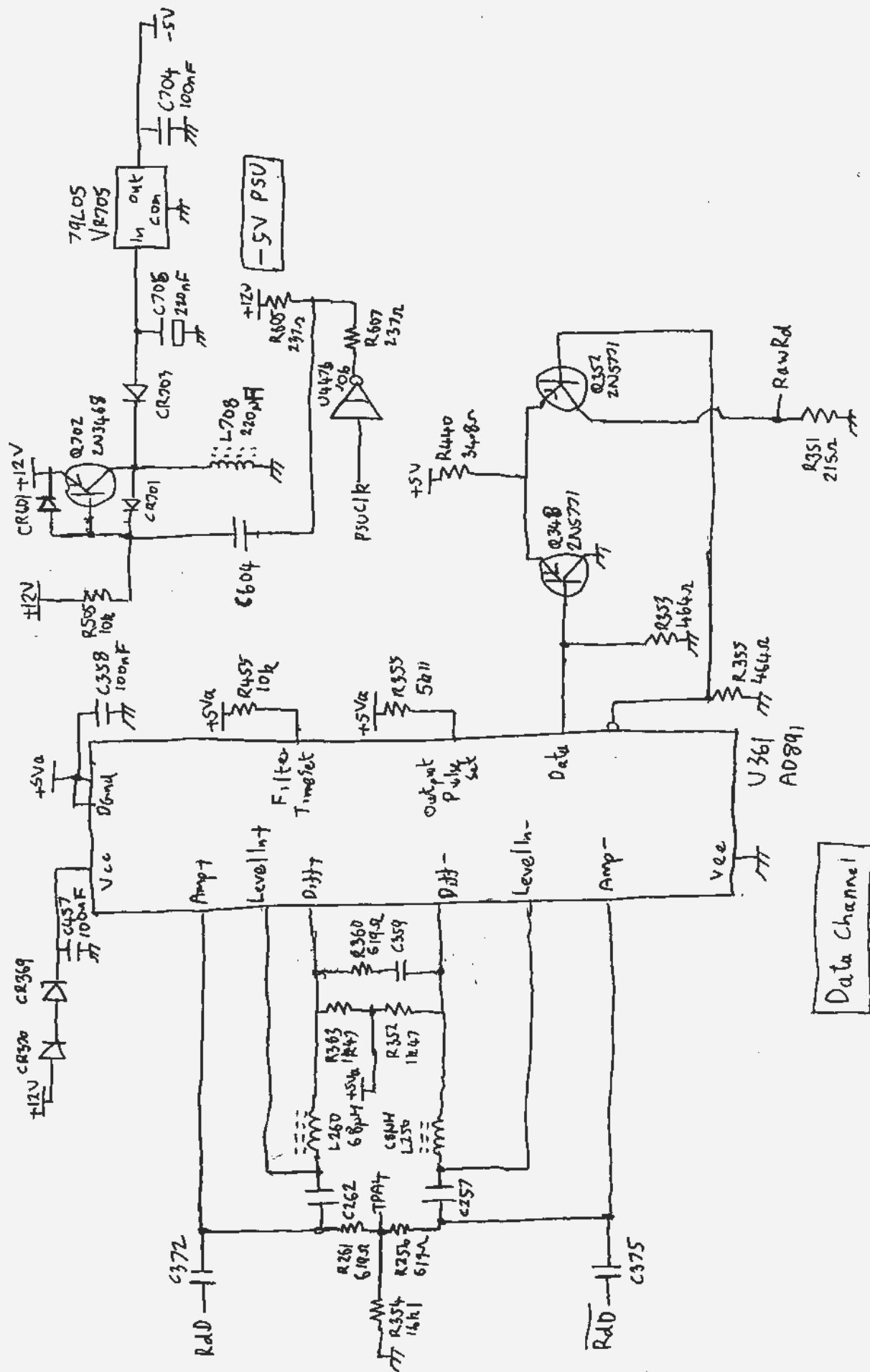




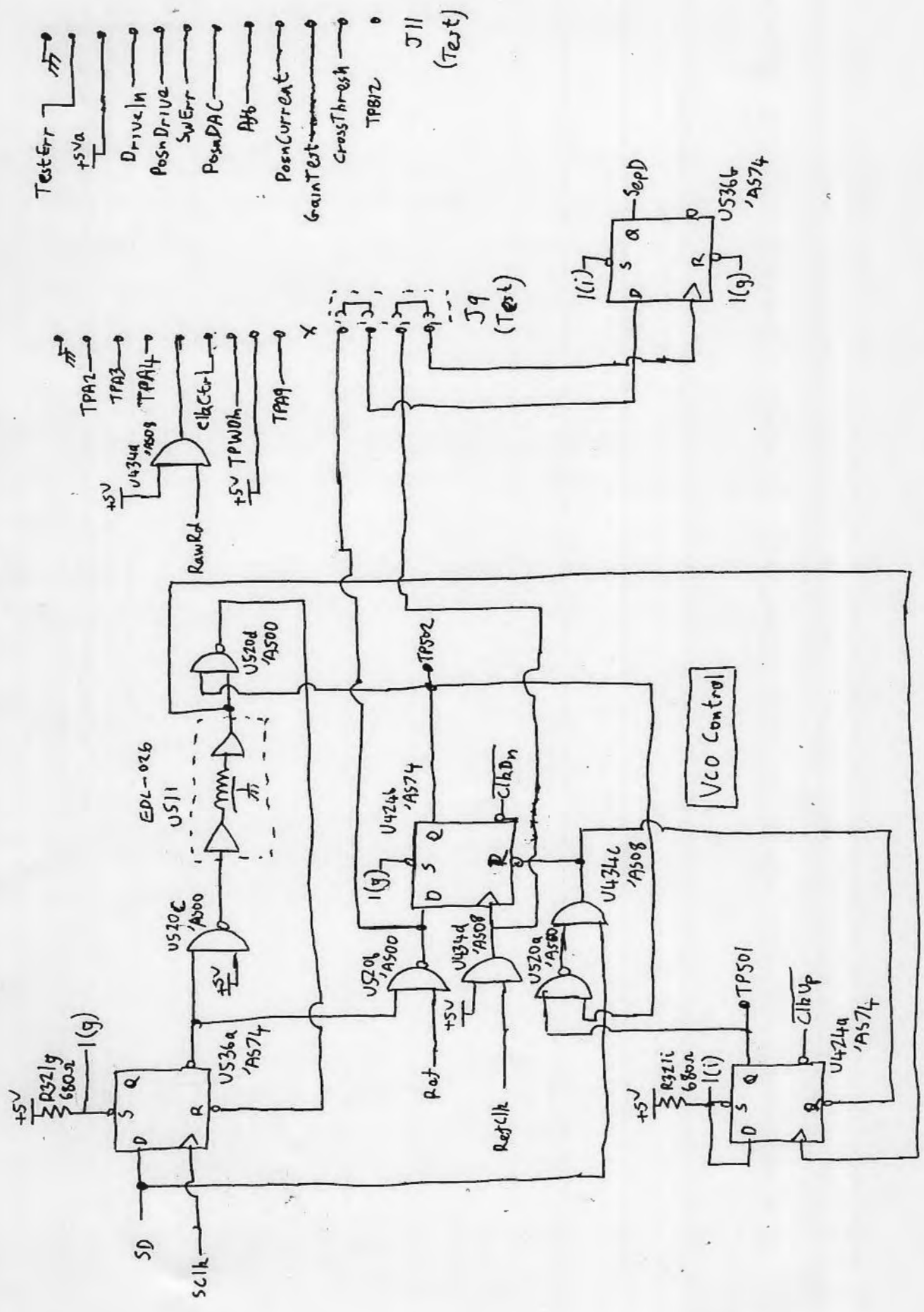




Positioner Drive Amplifier



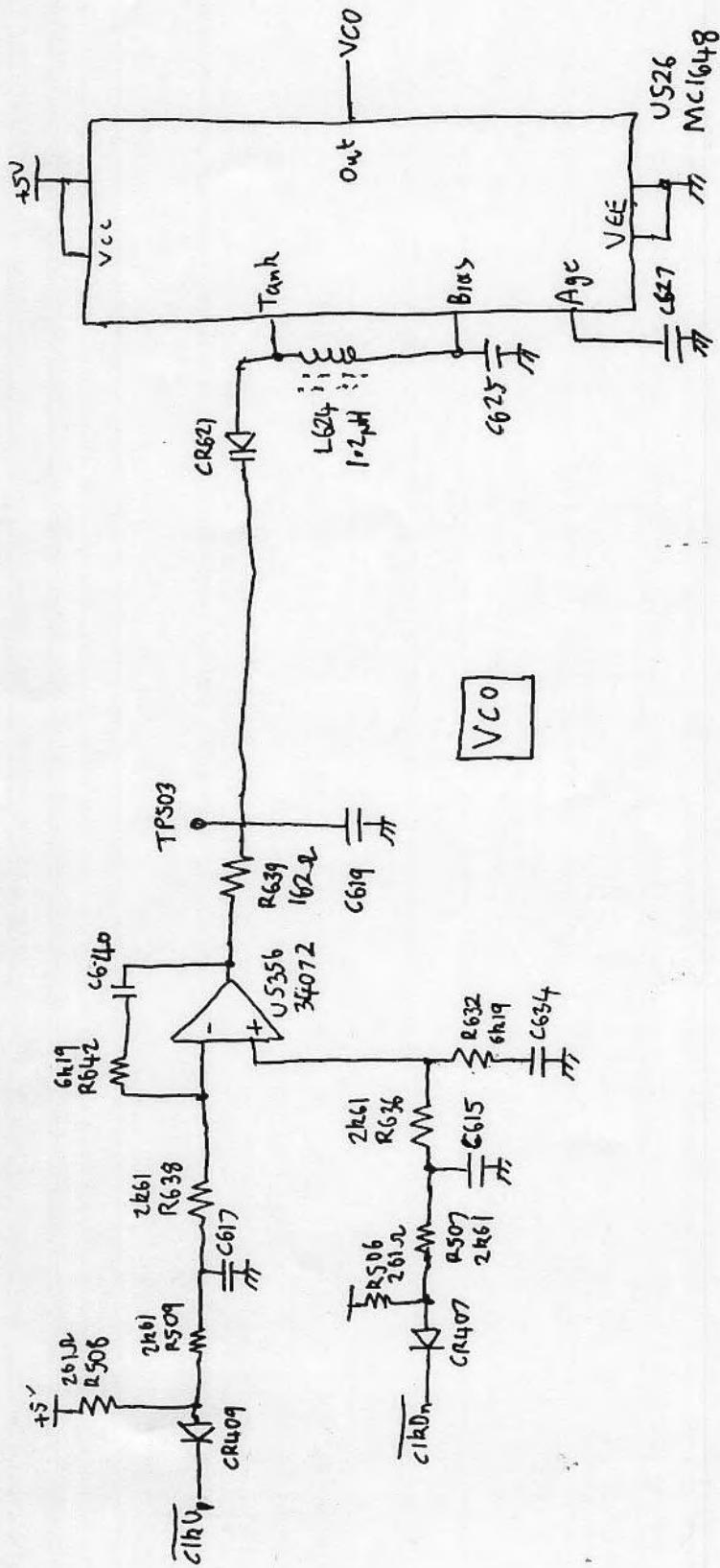
Data Channel



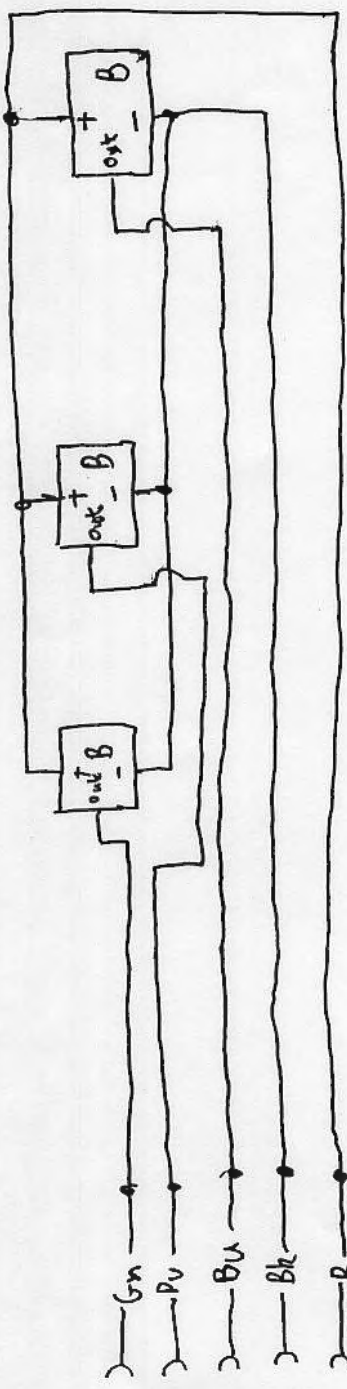
- TestErr
- +5Va
- DriveIn
- PosnDrive
- SwErr
- PosnDAC
- A/B
- PosnCurrent
- GainTest
- CrossThresh
- TP812
- J11
- (Test)

- TPA2
- TPA3
- TPA4
- U434d
- RawRd
- clkCtrl
- +5V TPW0h
- TPA9
- X
- J9
- (Test)
- U5366
- 'A574
- 1(g)
- 1(g)



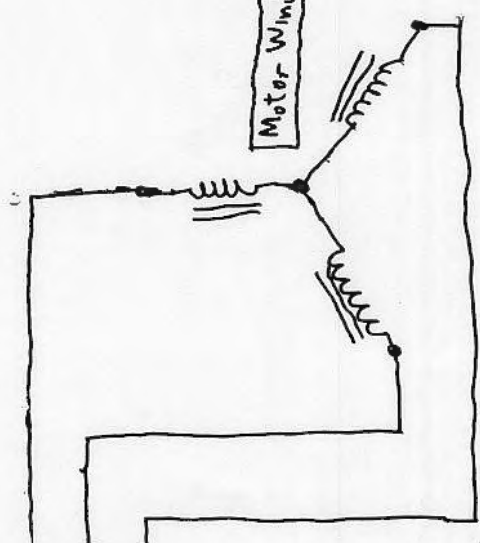


Hall Sensors

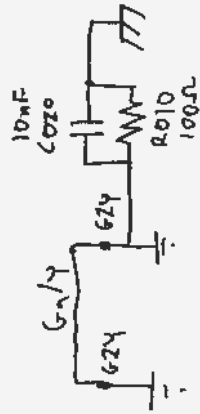
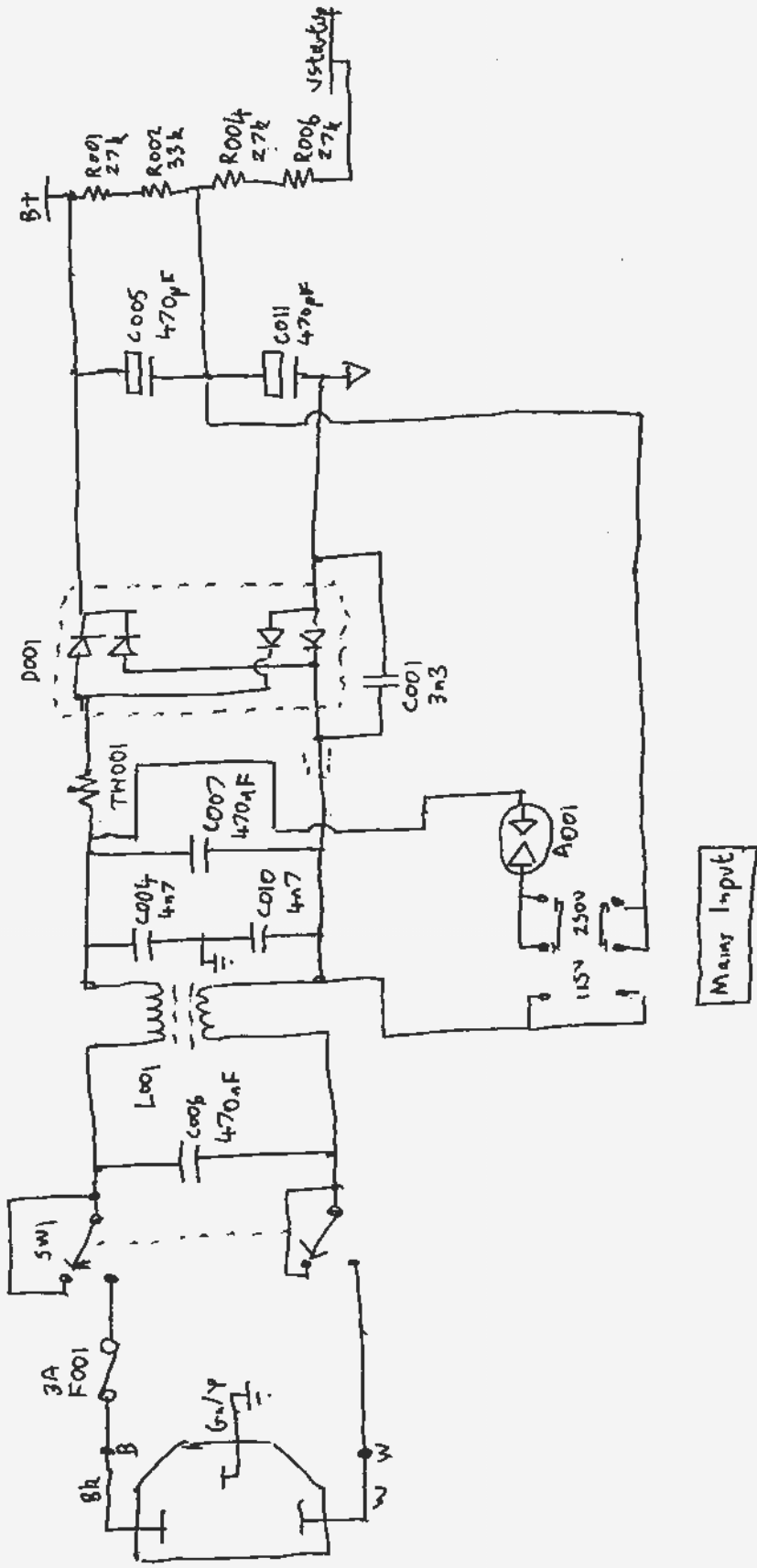


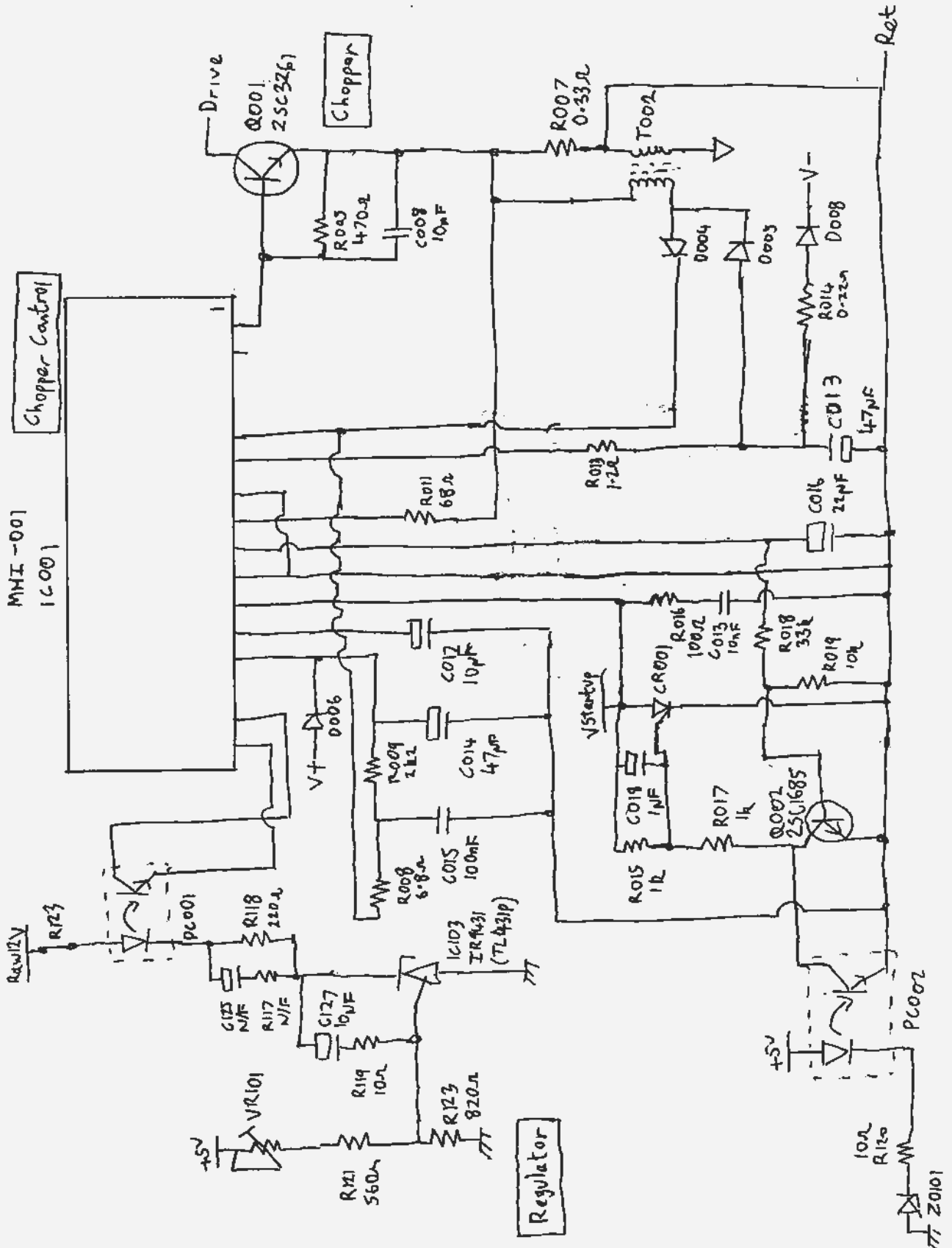
Gn  
Pu  
Bu  
Bk  
R  
X  
Y  
Or  
Br

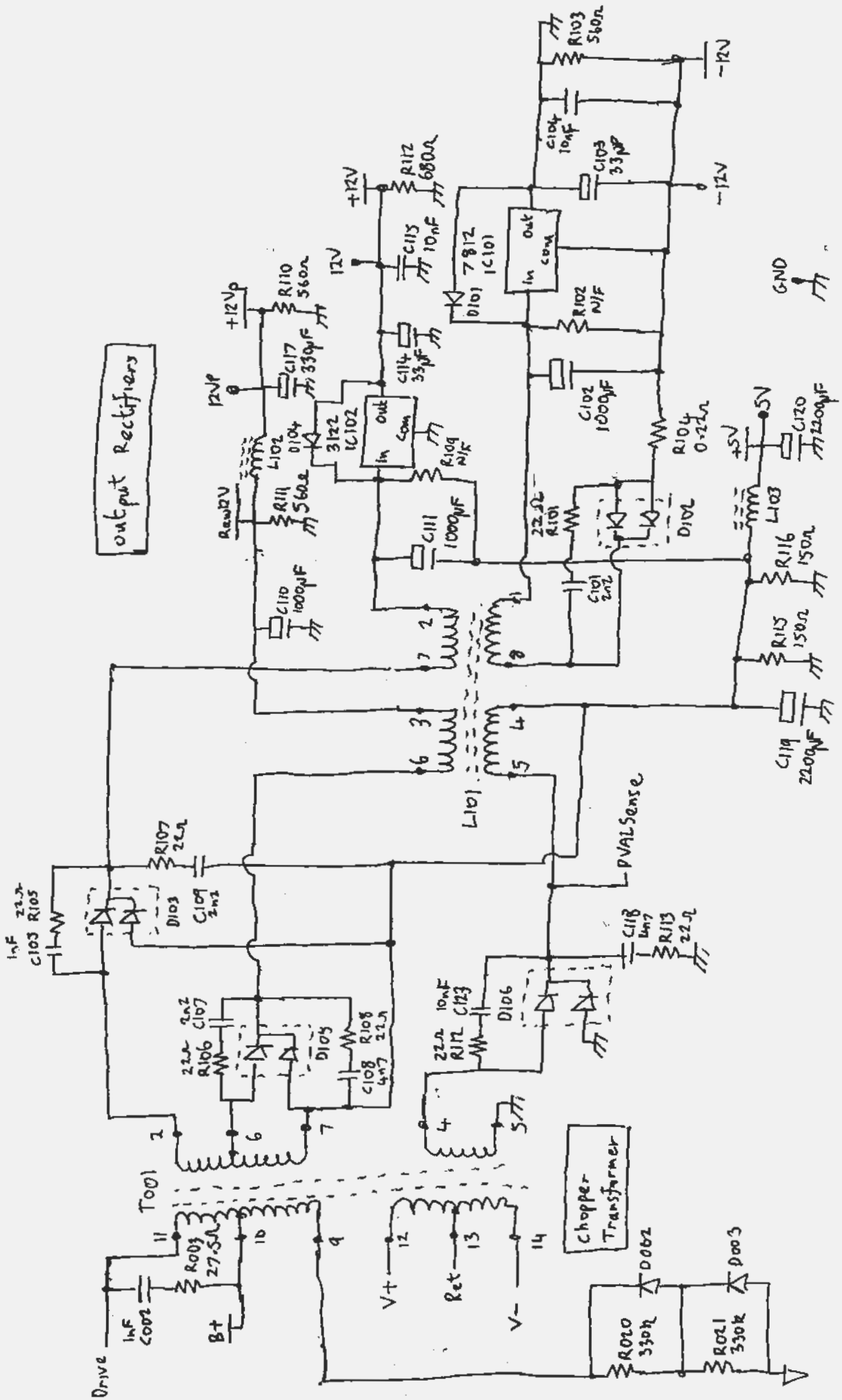
Motor Windings

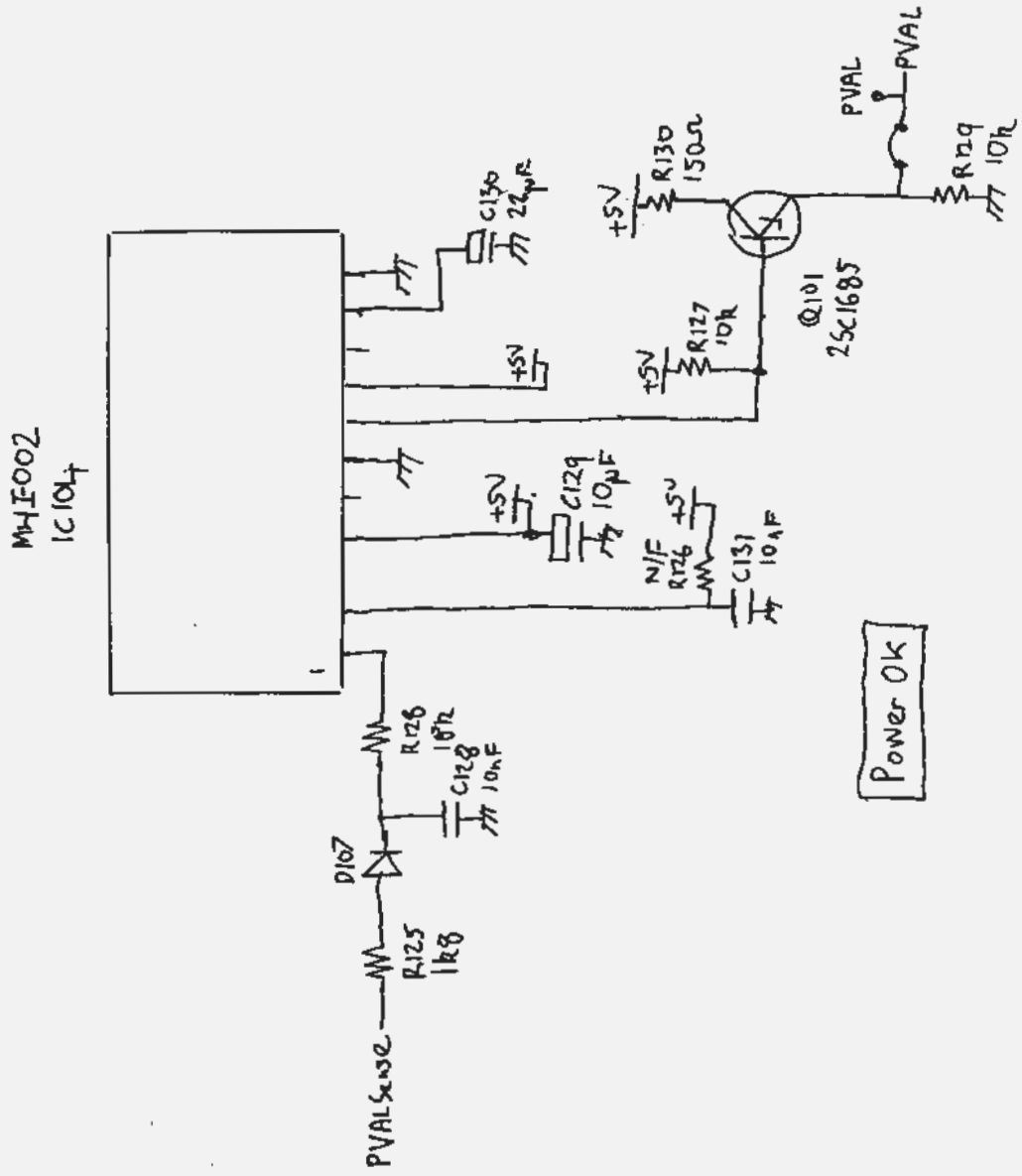
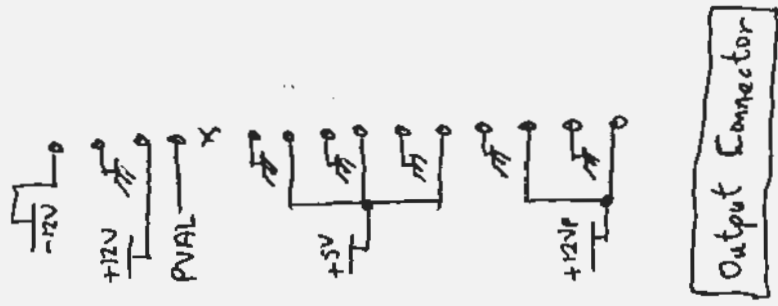


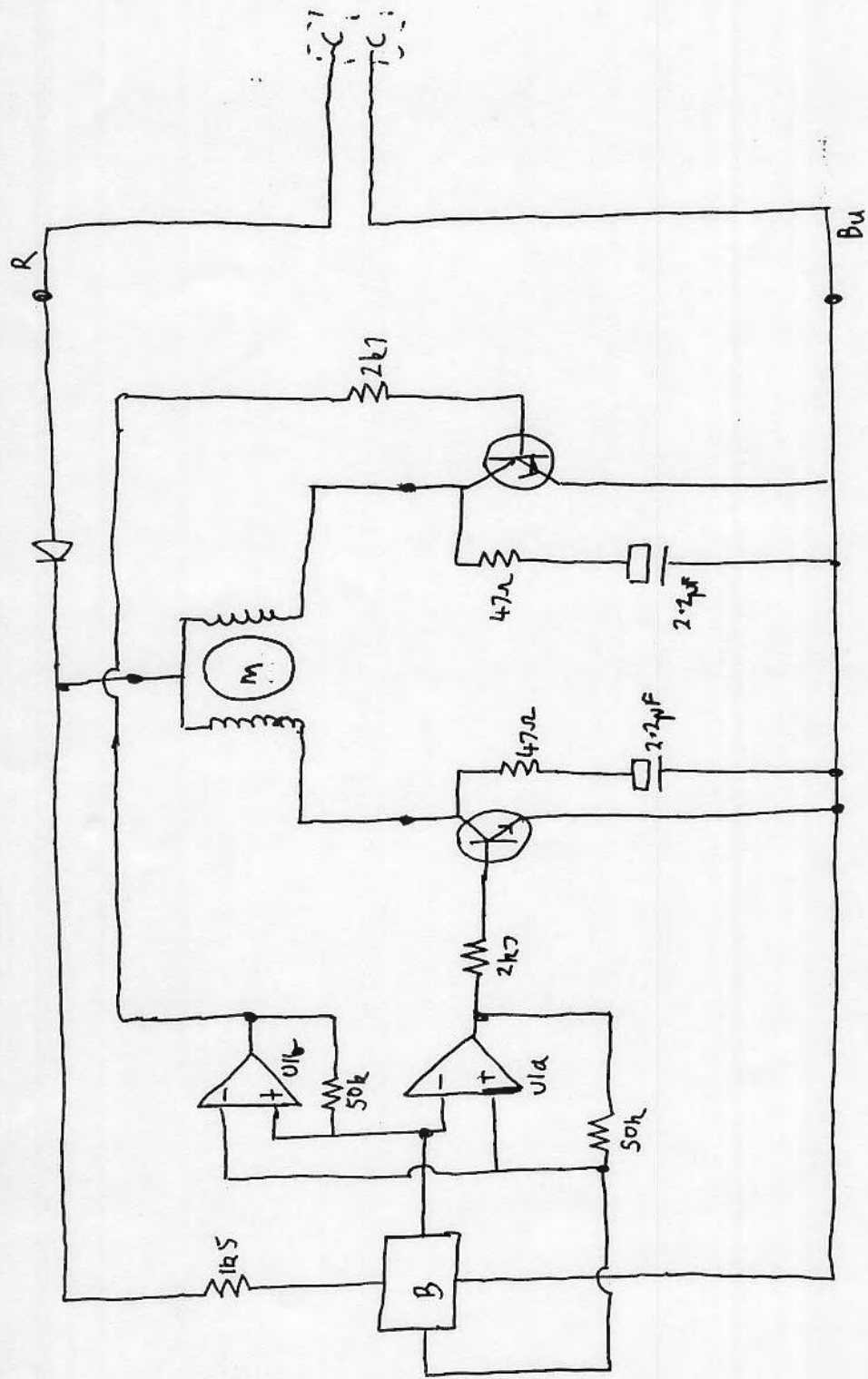
HP97536 Disk Drive spindle Motor











HP Mass Storage Unit Fan Panaflo FBH-08A12M