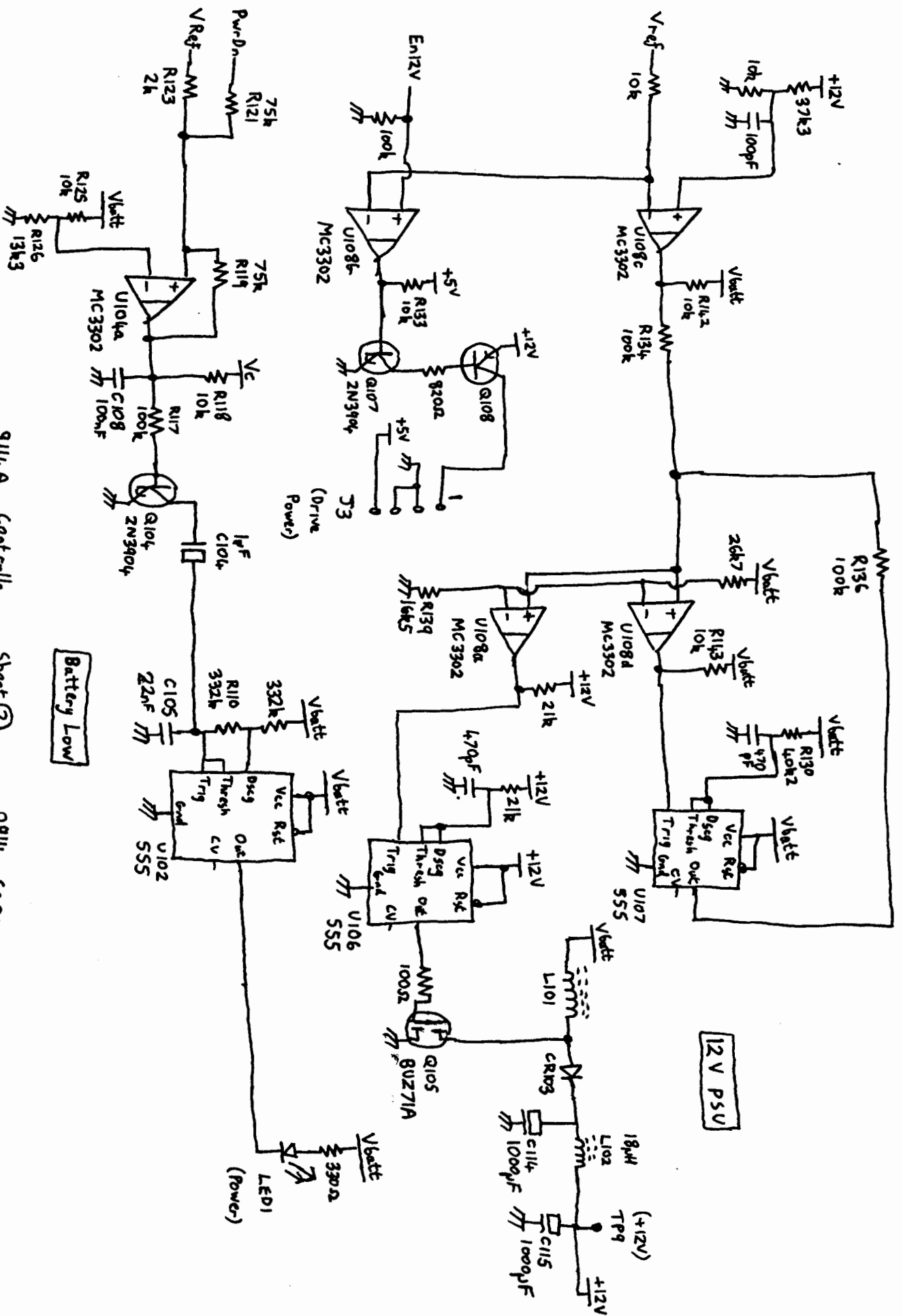


Q114A Controller

Sheet 1

Q9114-66510



9114A Controller

Sheet 2

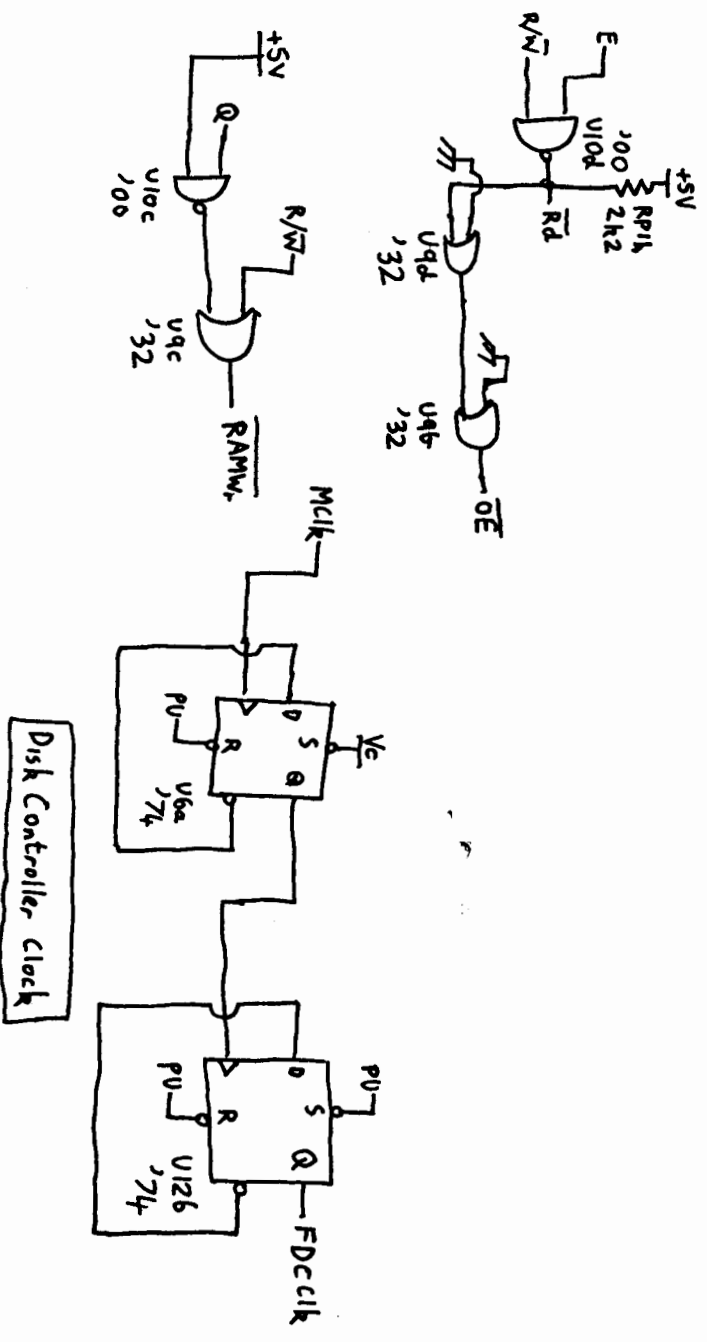
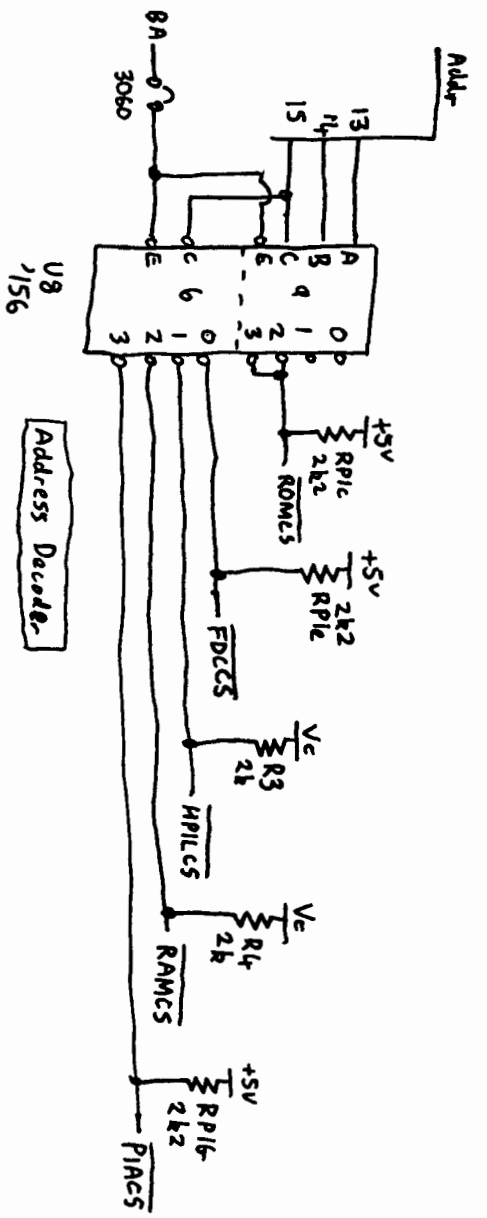
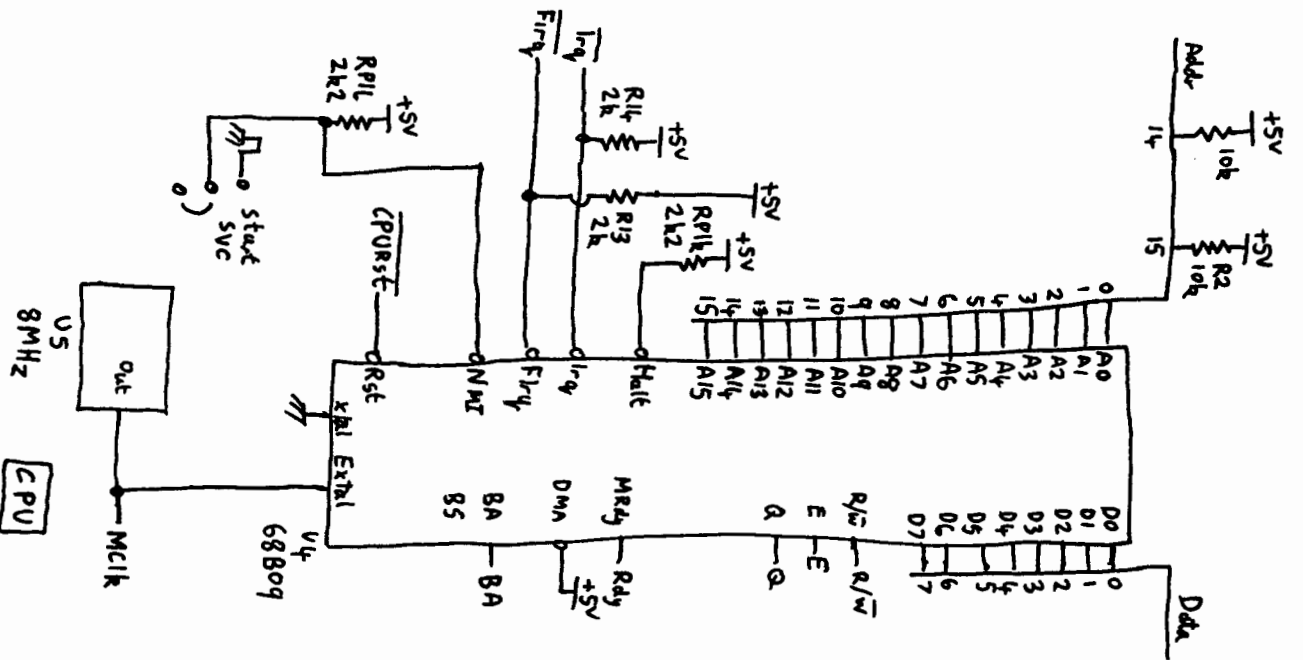
09114-66S10

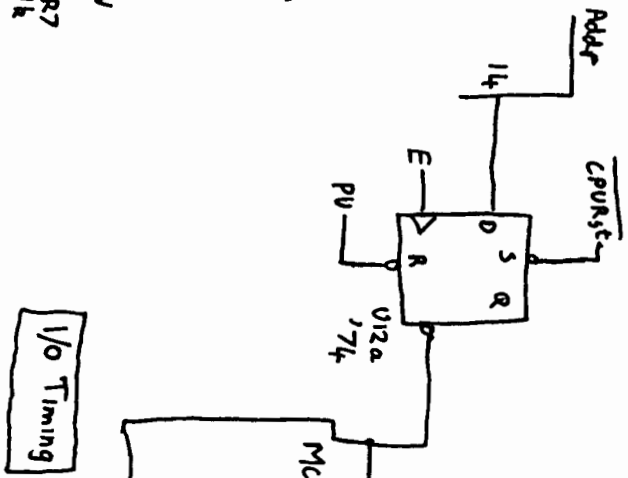
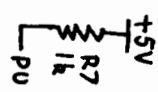
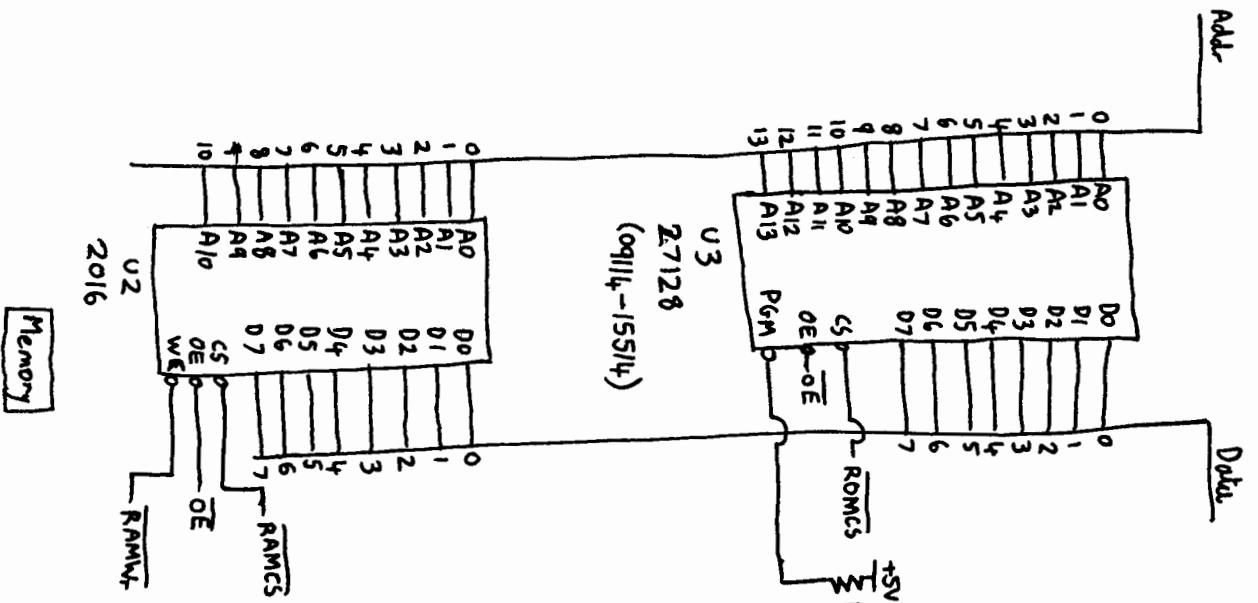
Battery Low

12V PSU

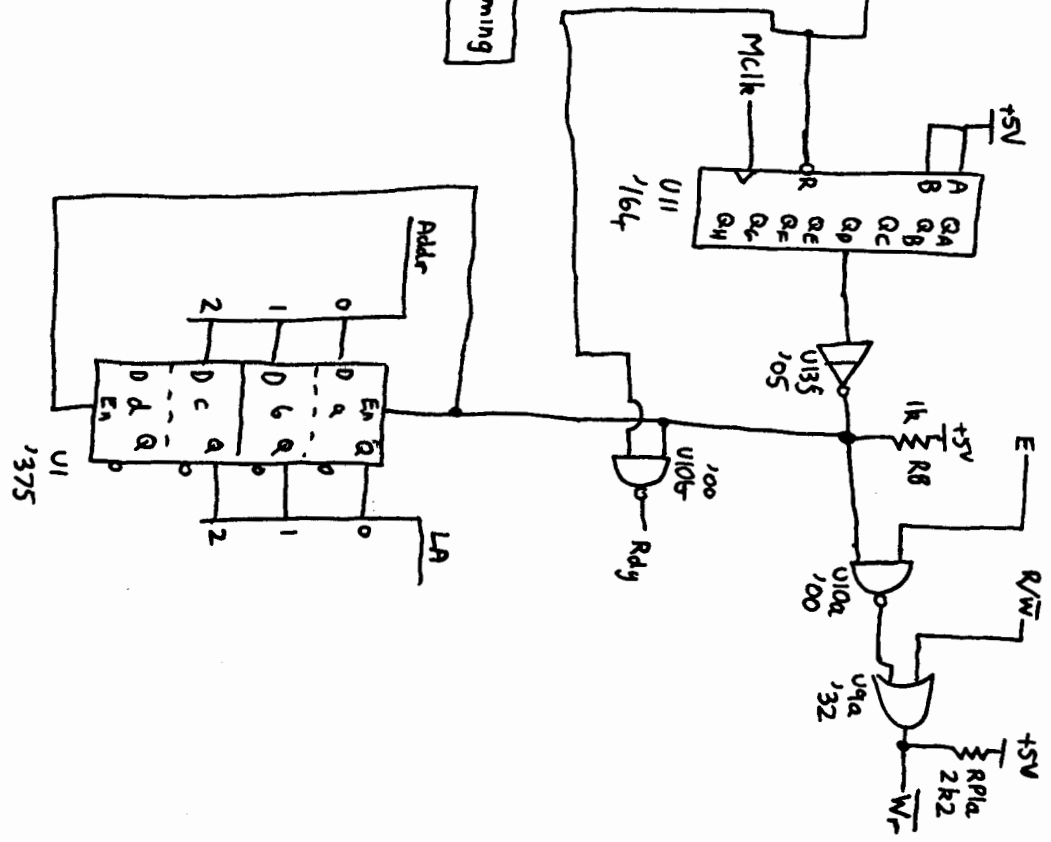
LED1 (Power)

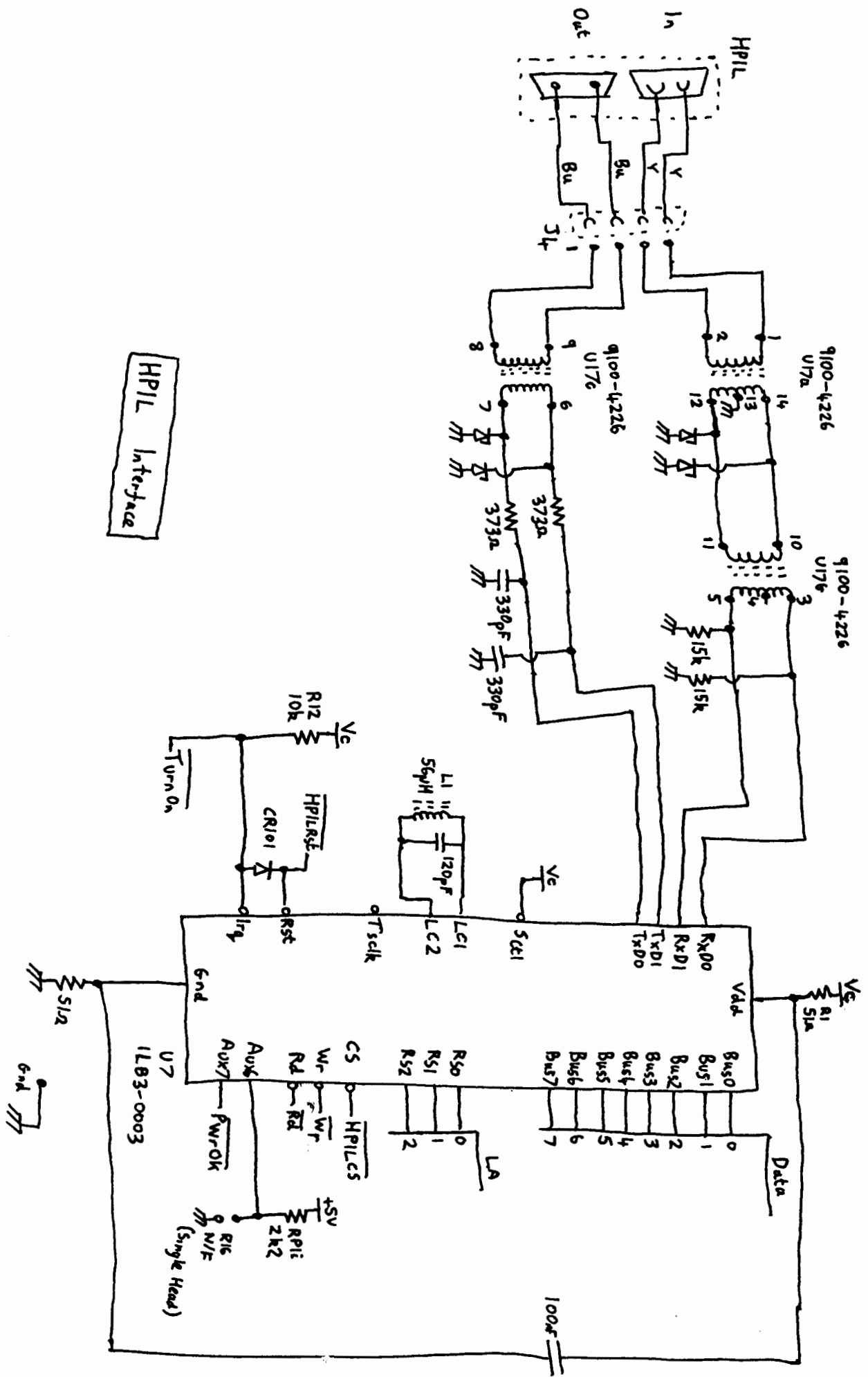
T3 (Drive Power)





I/O Timing

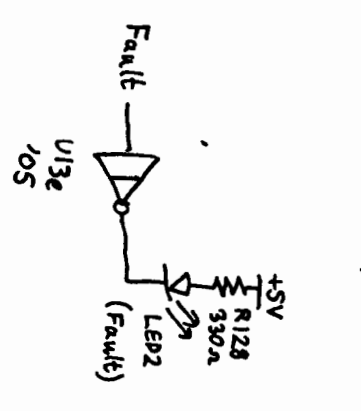
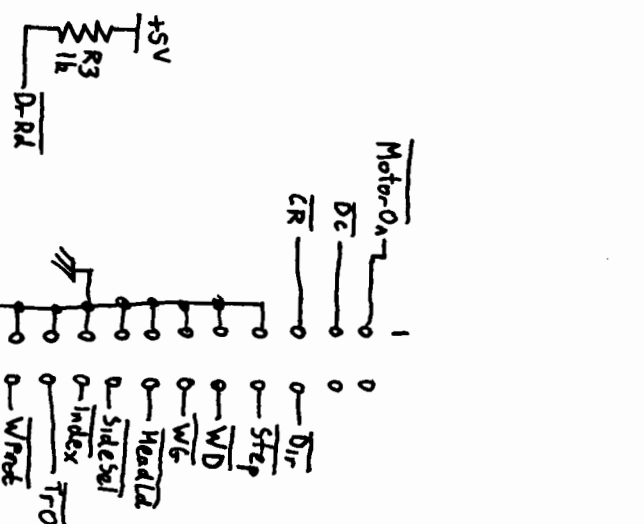
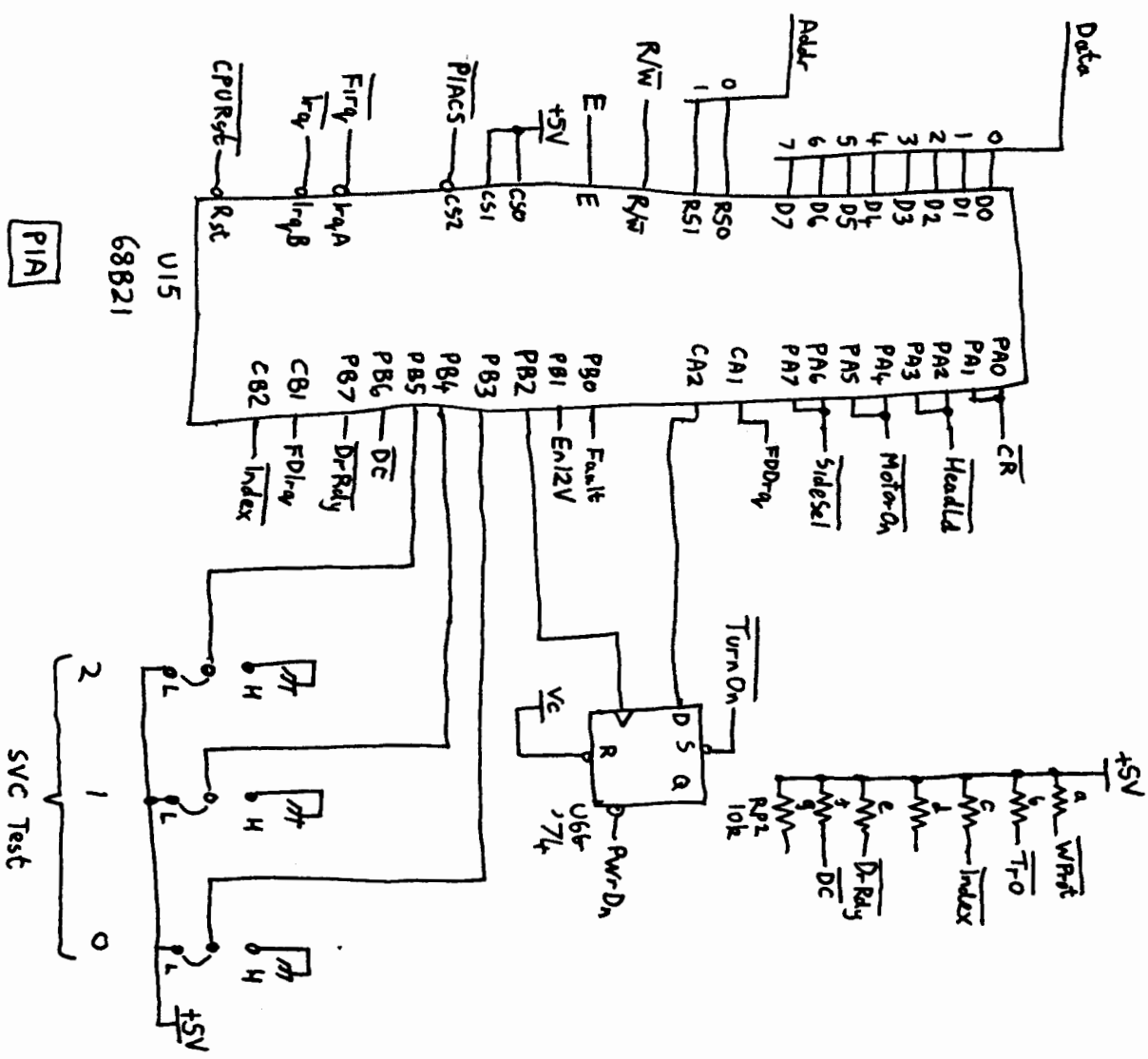




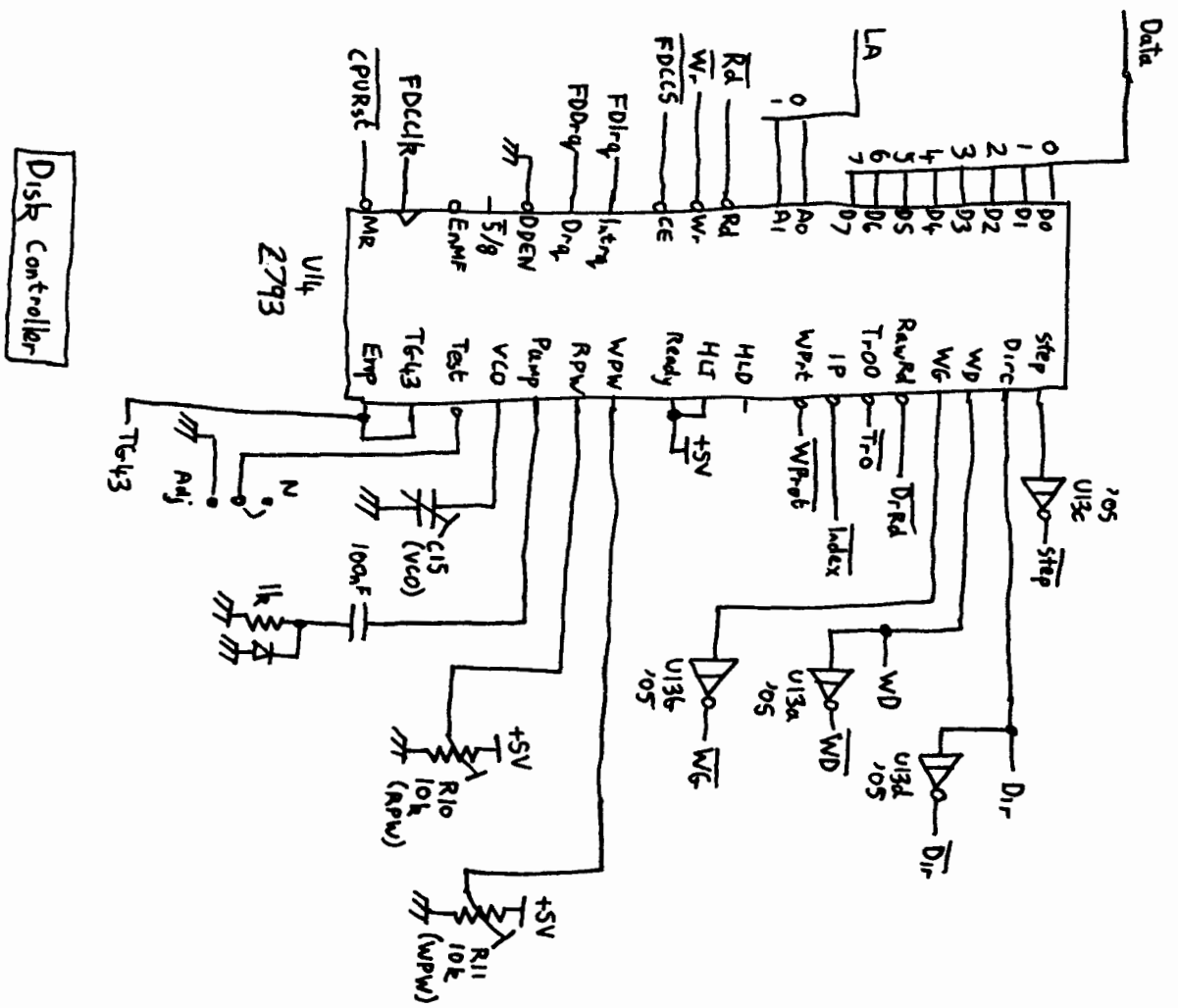
HPIL Interface

9114 A Controller Sheet 5

09114-66510



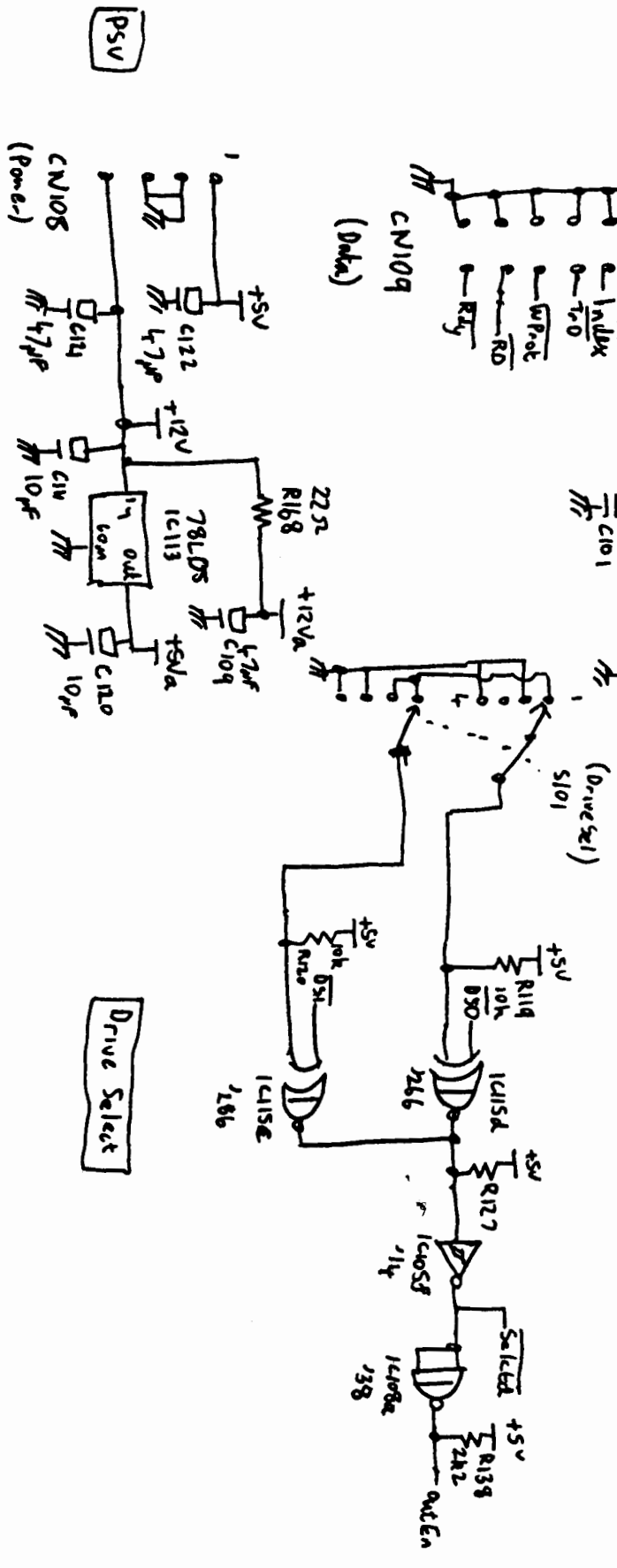
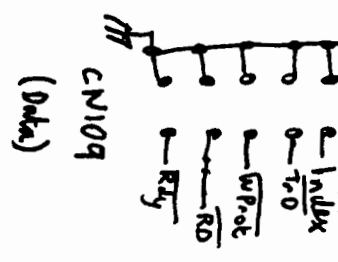
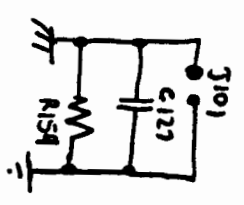
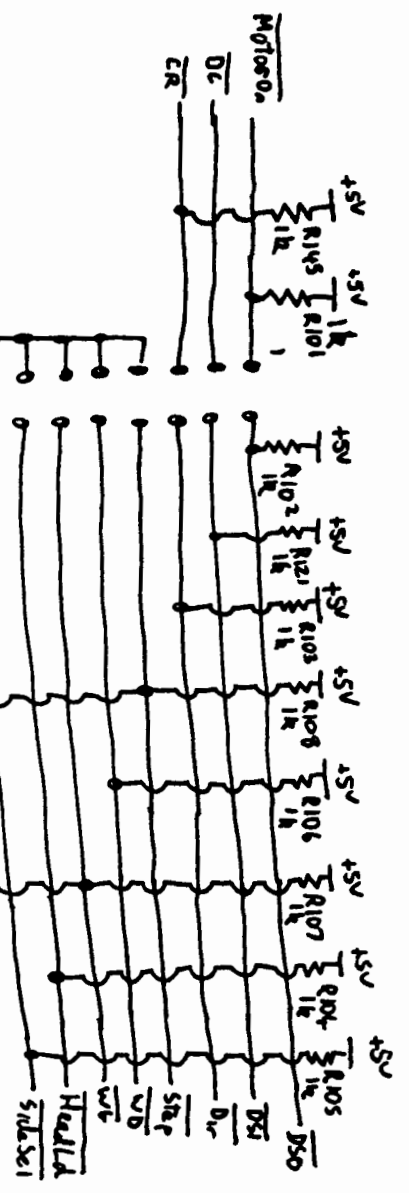
J5 (Drive)



Disk Controller

Test Points

- (WPW) TP1 0-WD
- (RPW) TP2 0-TG43
- (VCO) TP3 0-Dir
- (6nd) TP4 0-Dir
- (Tr-k) TP5 0-Tr-0
- (Read) TP6 0-Dir
- (Ind) TP7 0-Index

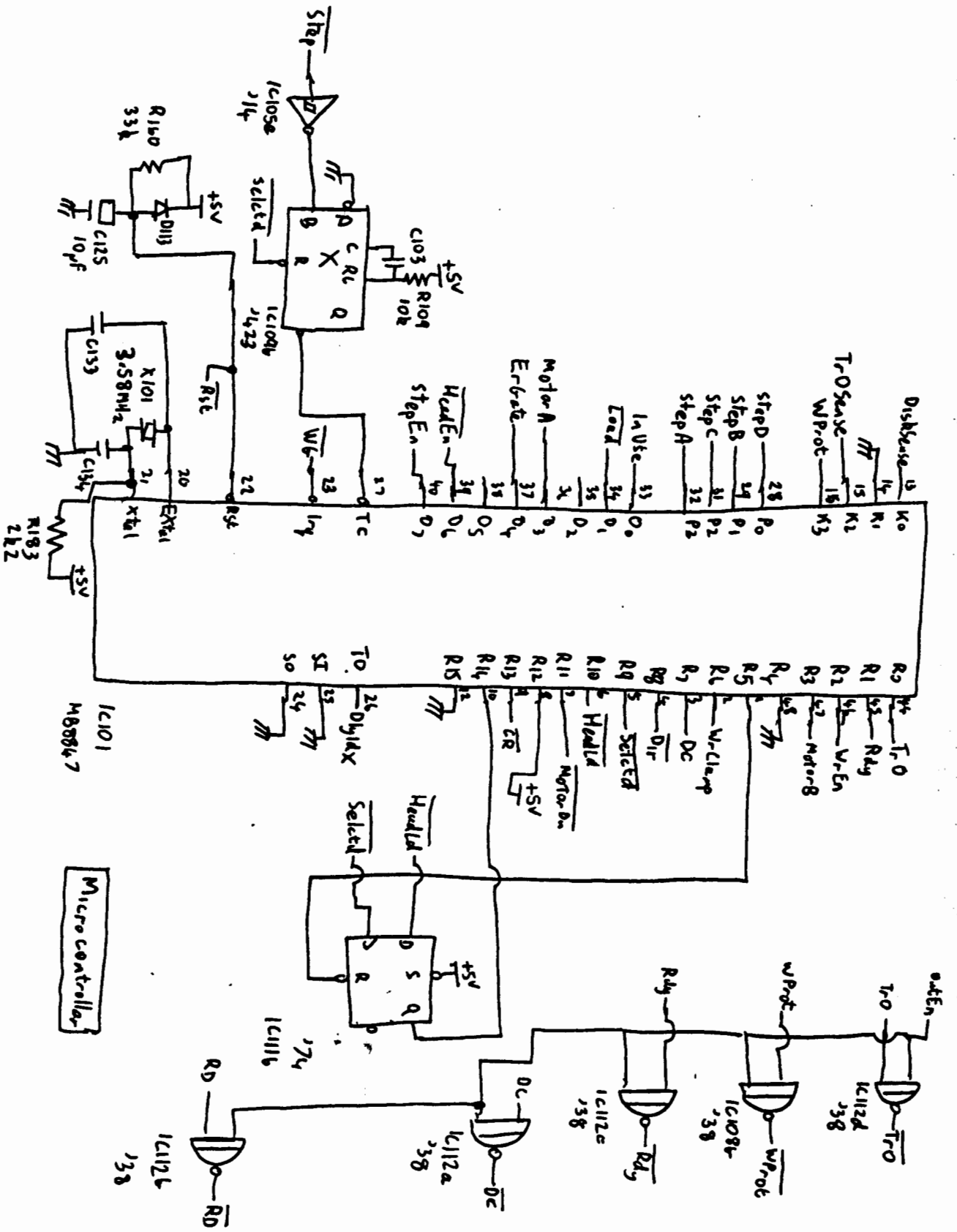


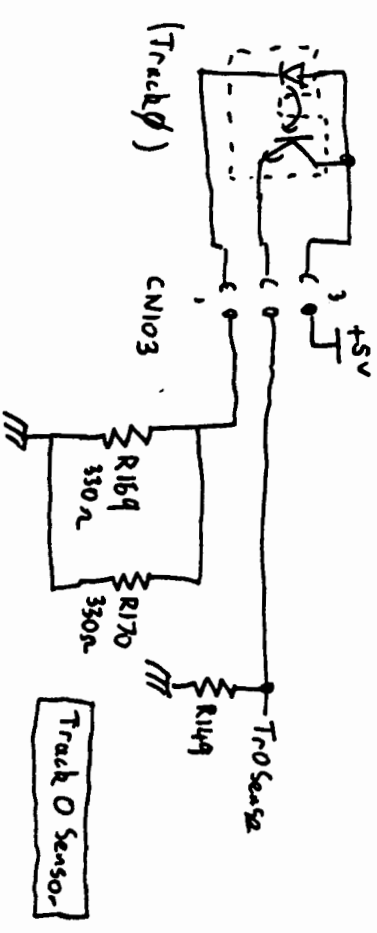
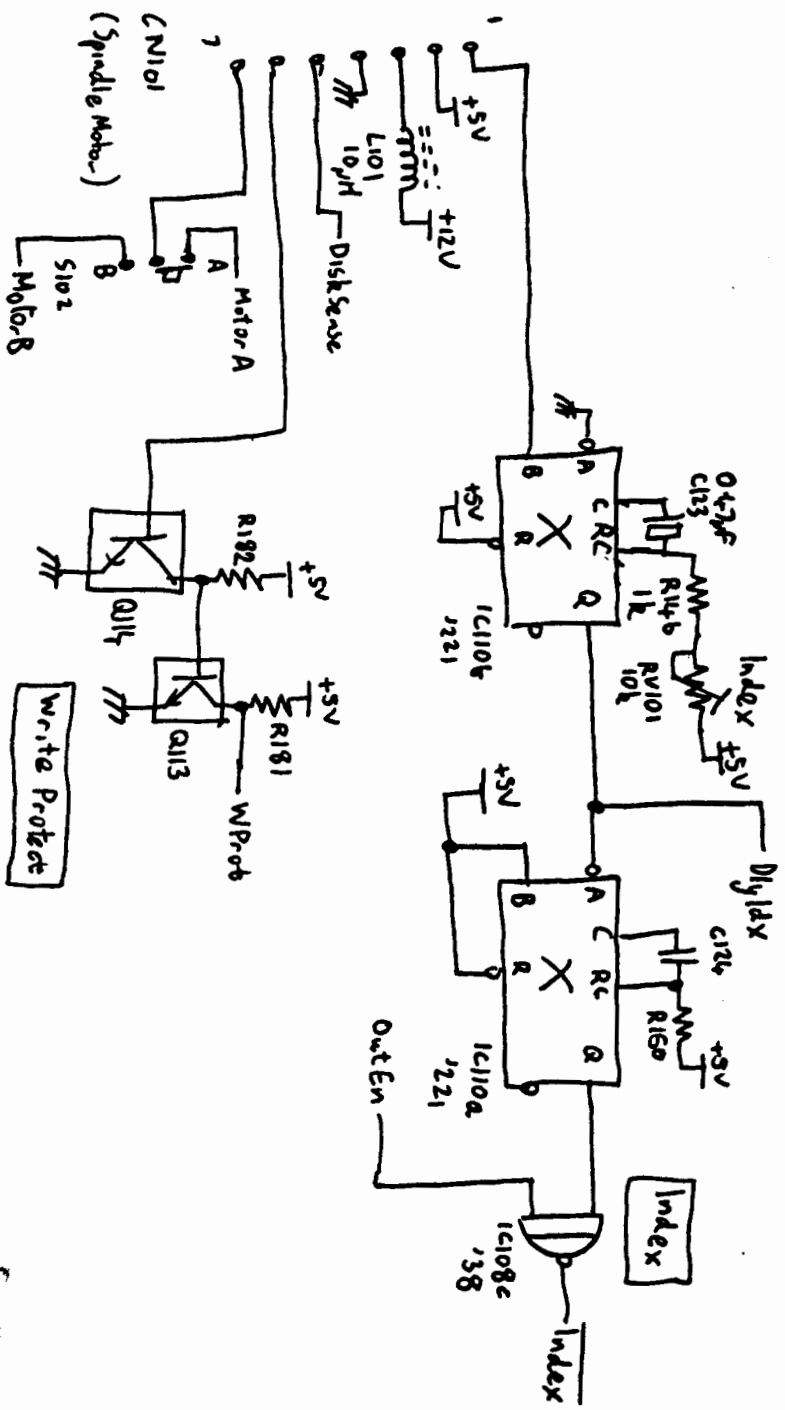
Sony Floppy Drive Logic Board FC9 Skat ①

PSV

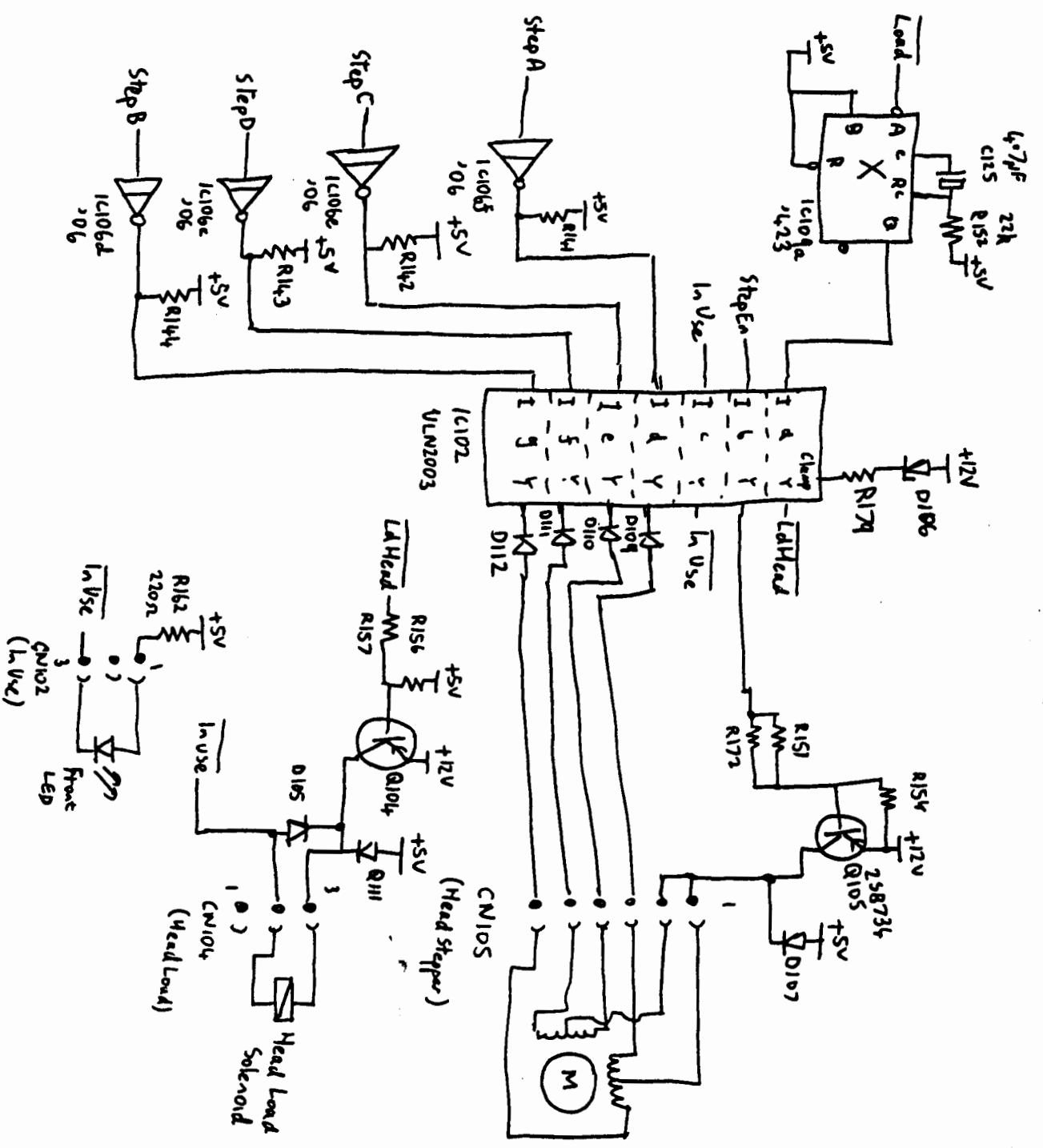
Drive Select

Sony Floppy Drive Logic Board FC9 Sheet ②





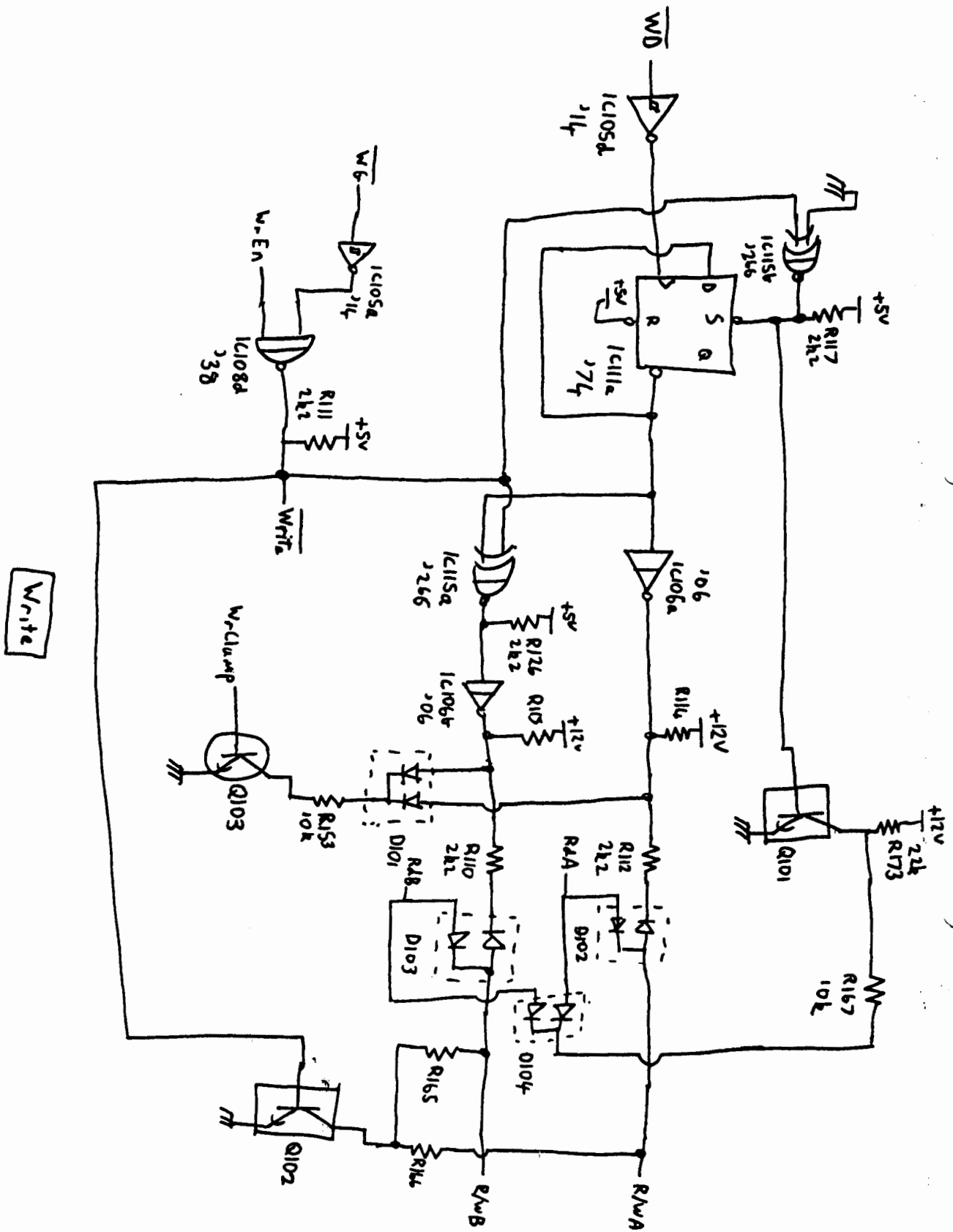
Sony Floppy Drive Logic Board FC9 Sheet ③



Sony Floppy Drive Logic Board FC4

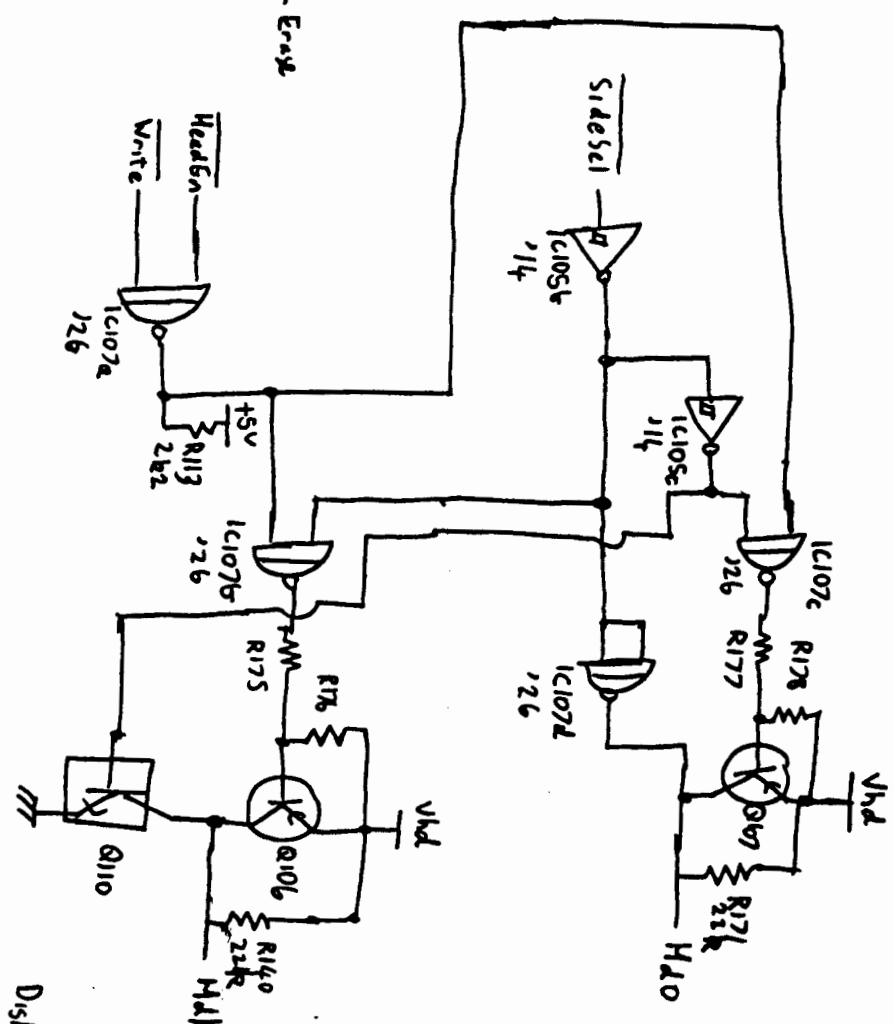
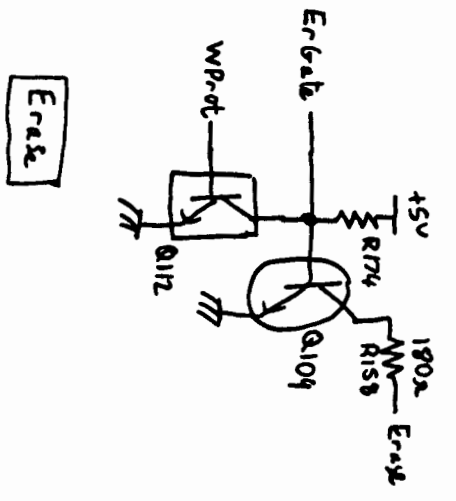
Sheet ④

Sony Floppy Drive Logic Board Fc9 Sheet 5



Write

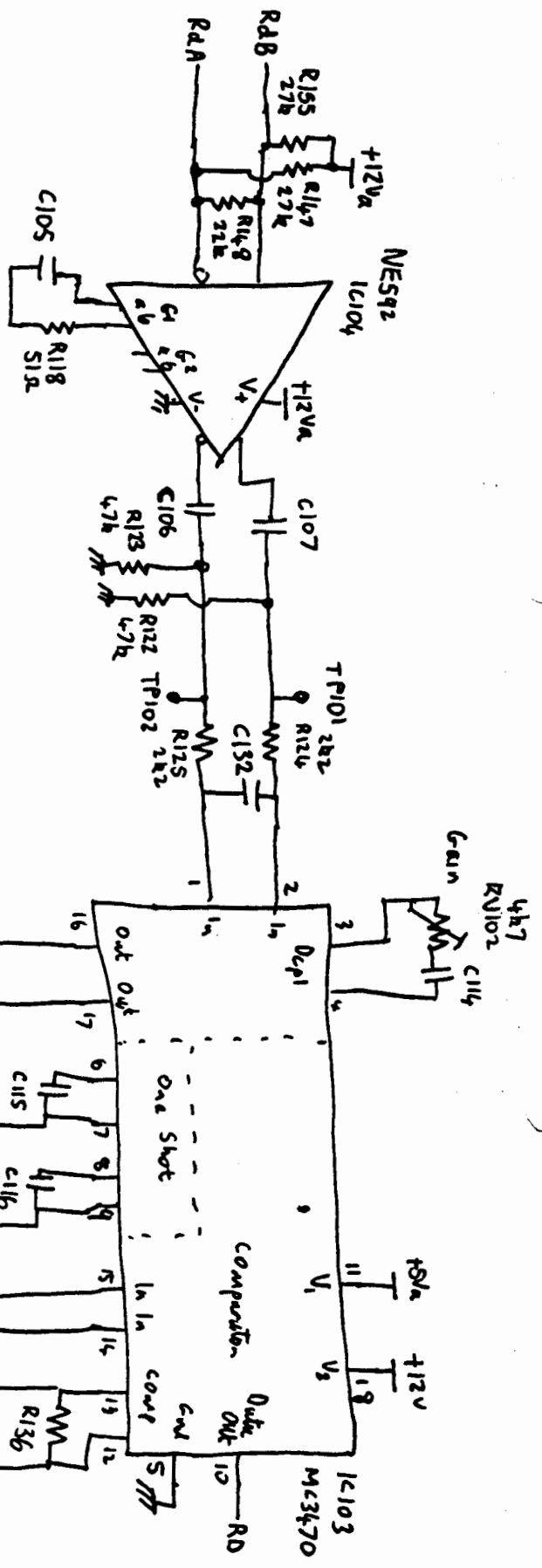
Erase
 R/WA
 R/WB
 HA0
 HA1
 CA106
 (Head)



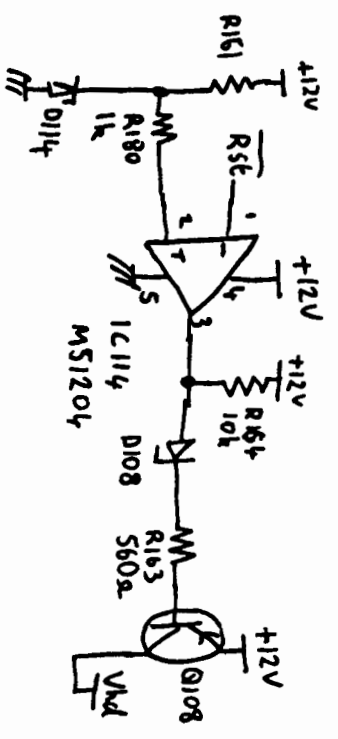
Head Switch

(Test Point)
 CN107
 R17P
 DiskSense
 Tr0Sense

Sony Floppy Drive Logic Board FC9 sheet 6

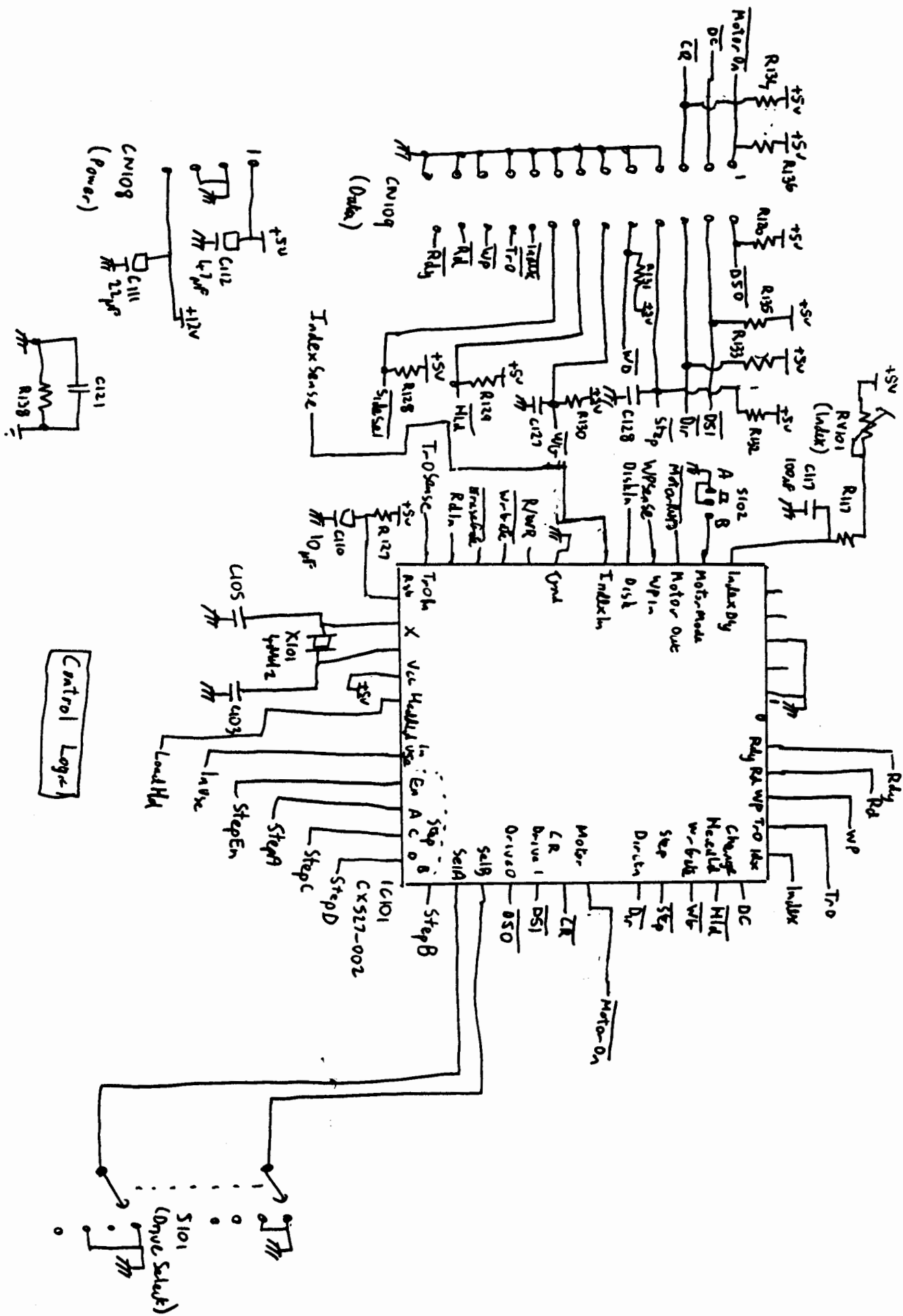


Power On

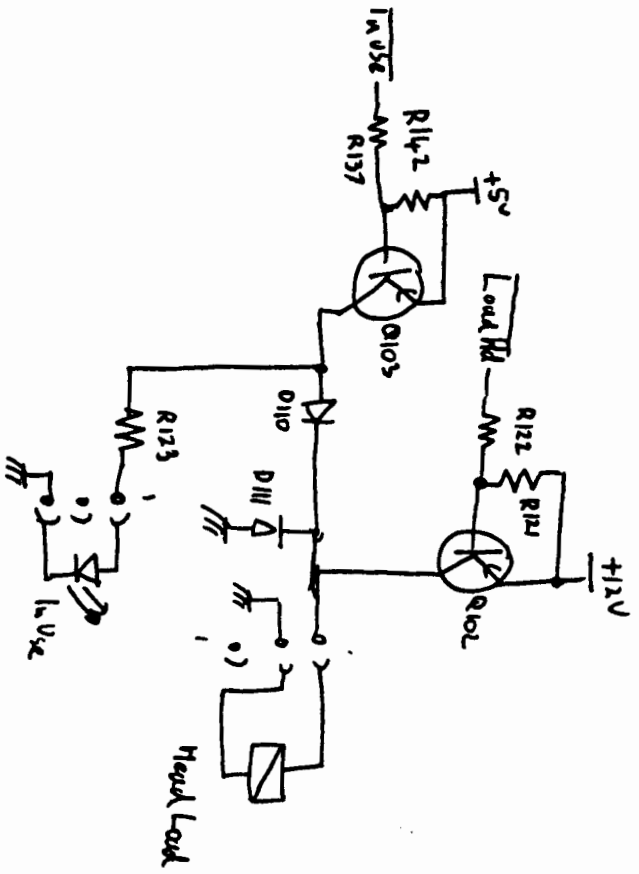


Read

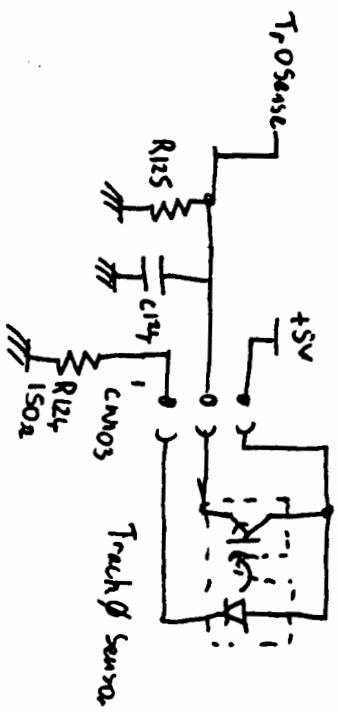
Sony Floppy Drive Logic Board Fc9 sket 7



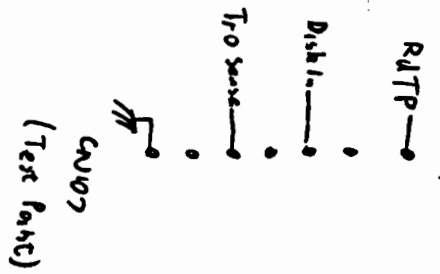
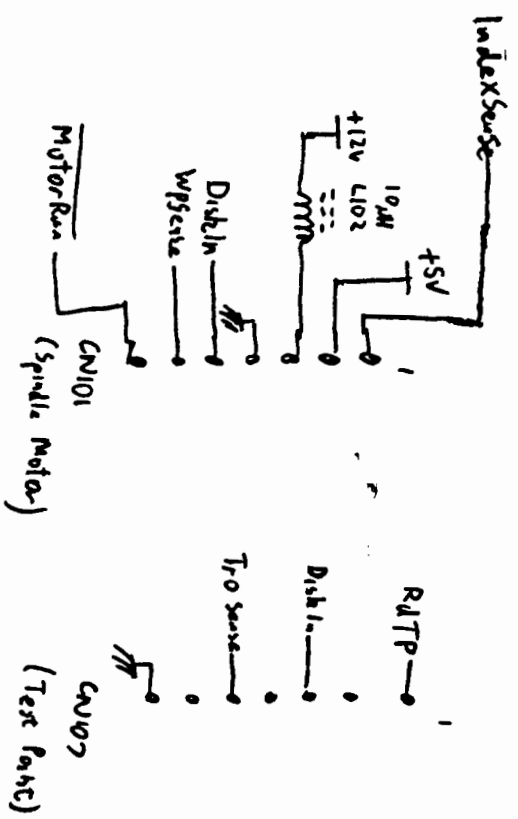
Sony Floppy Drive Logic Board FC16 Skat ①



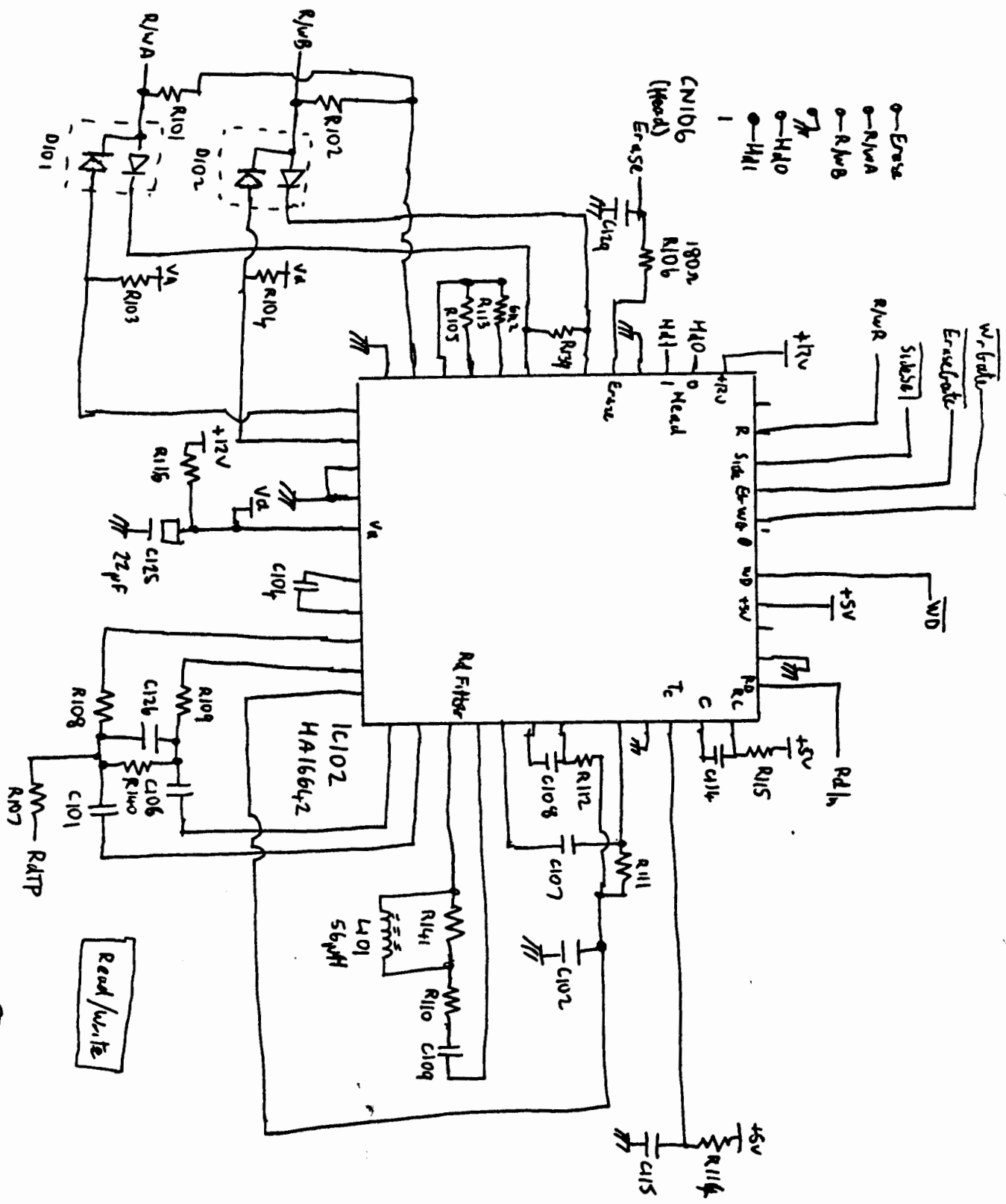
Head Load



Track 0

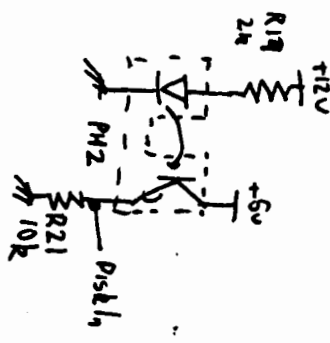
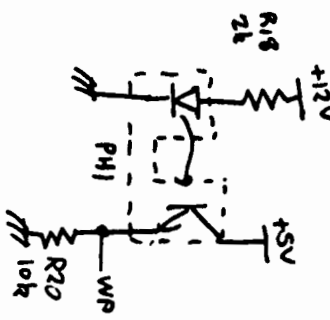
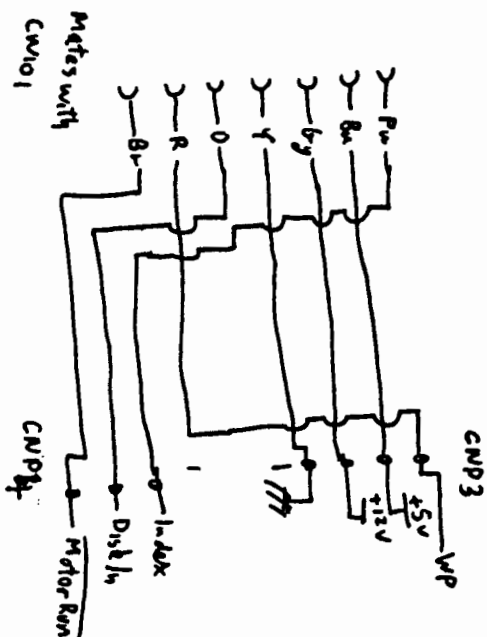


Sony Floppy Drive Logic Board Full Skat ③

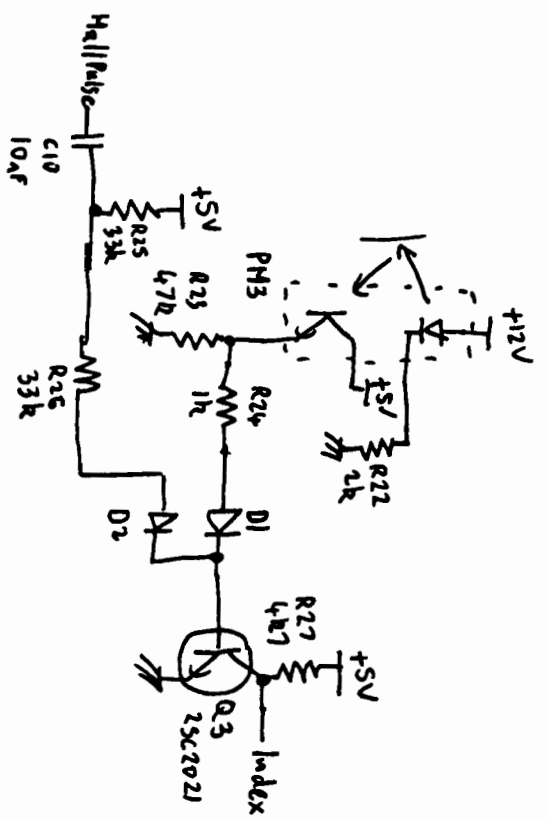


Sony Floppy Drive Logic Board FC16 Sheet 4

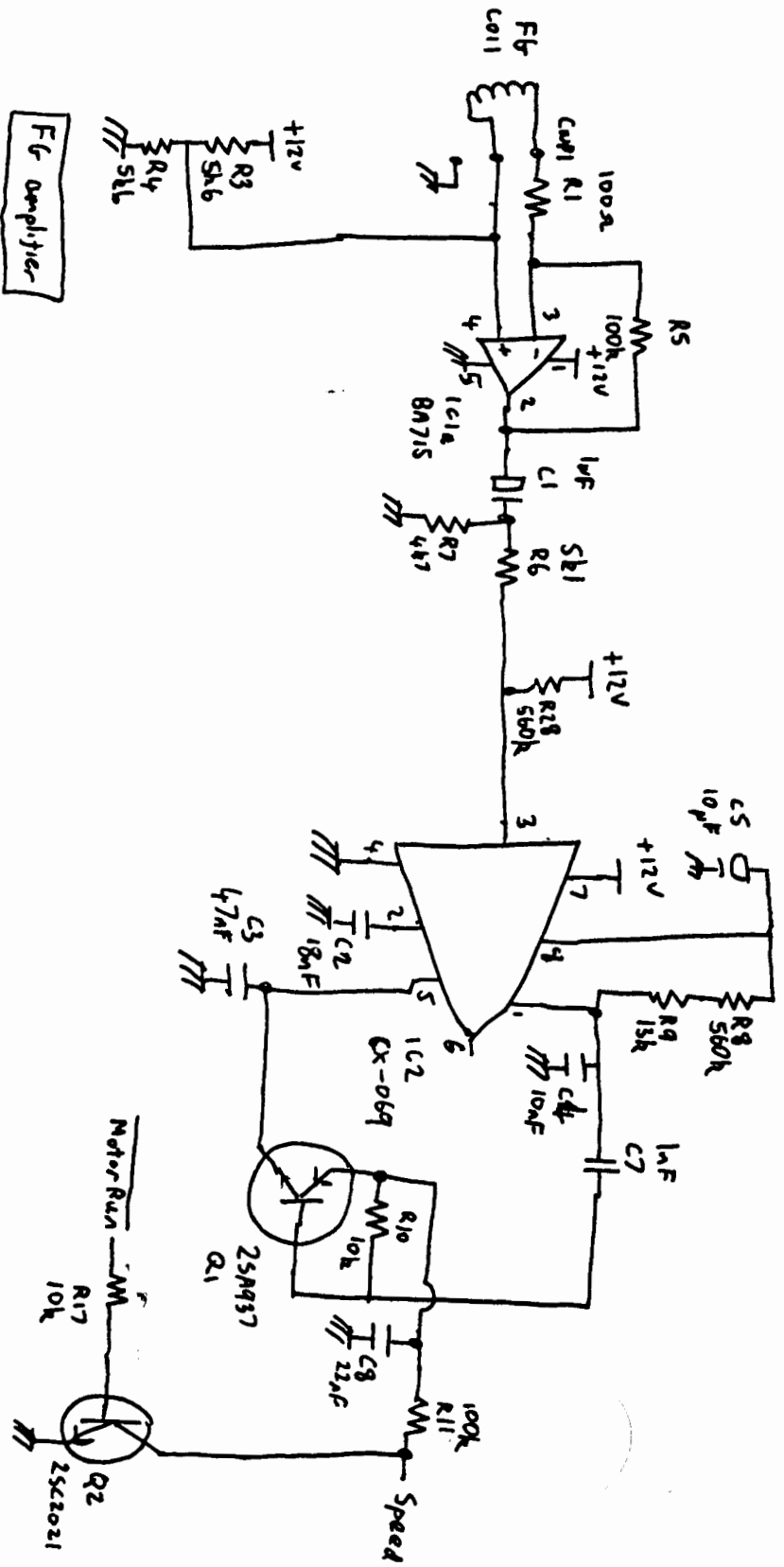
Read/write



Sensors

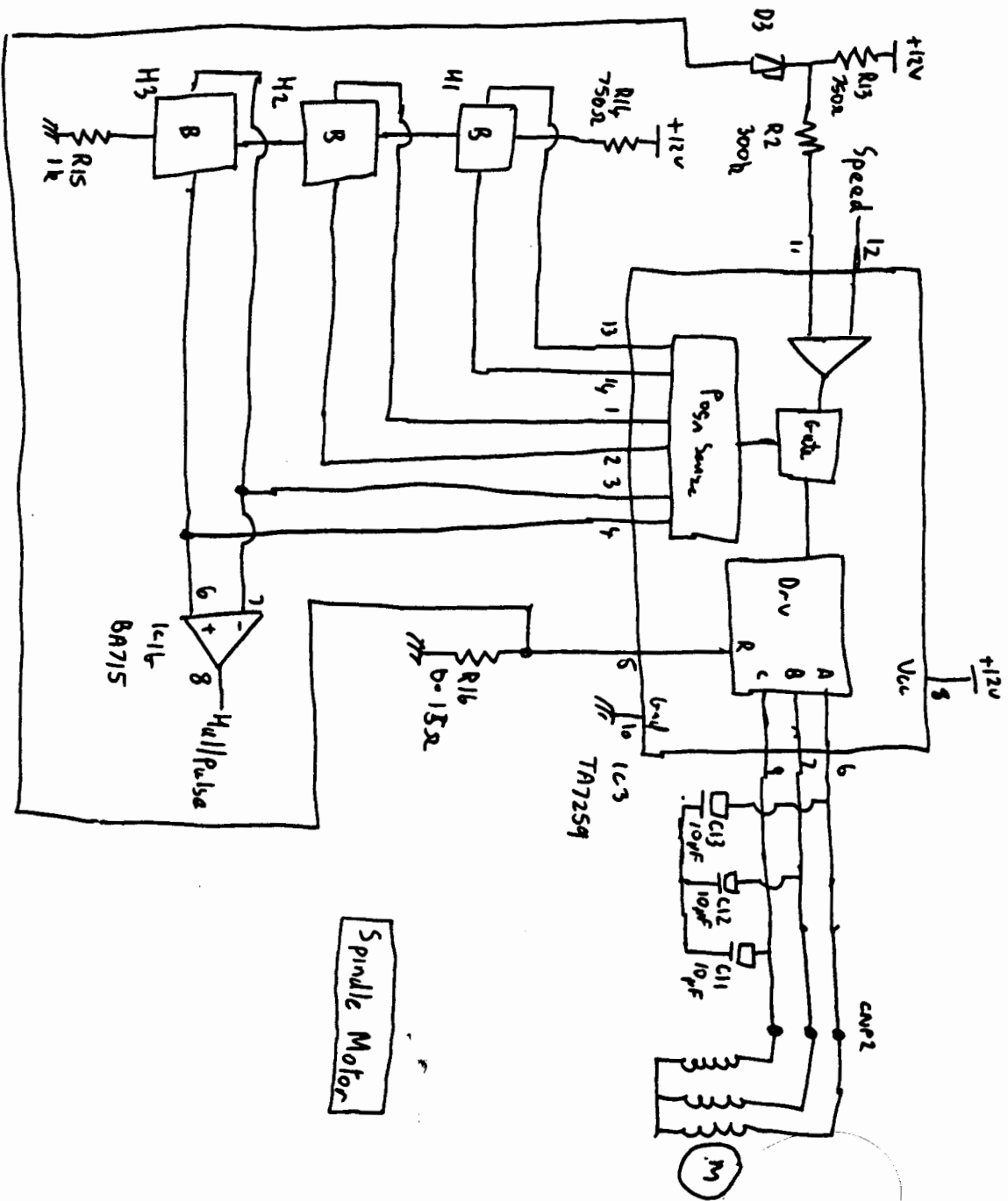


Sony Floppy Drive spindle motor sket ①



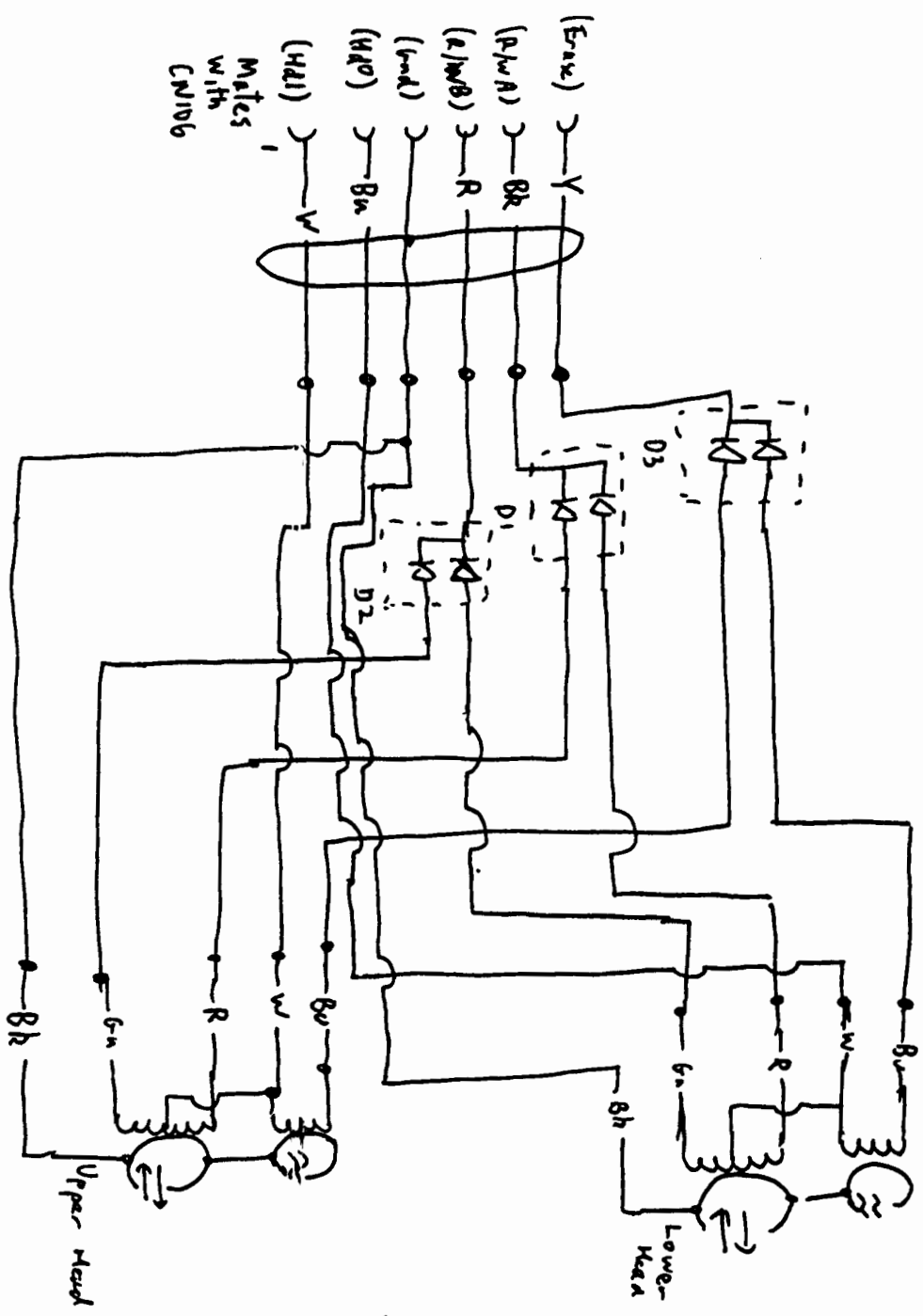
Spindle Speed

Sony Floppy Drive Spindle Motor Sket(2)

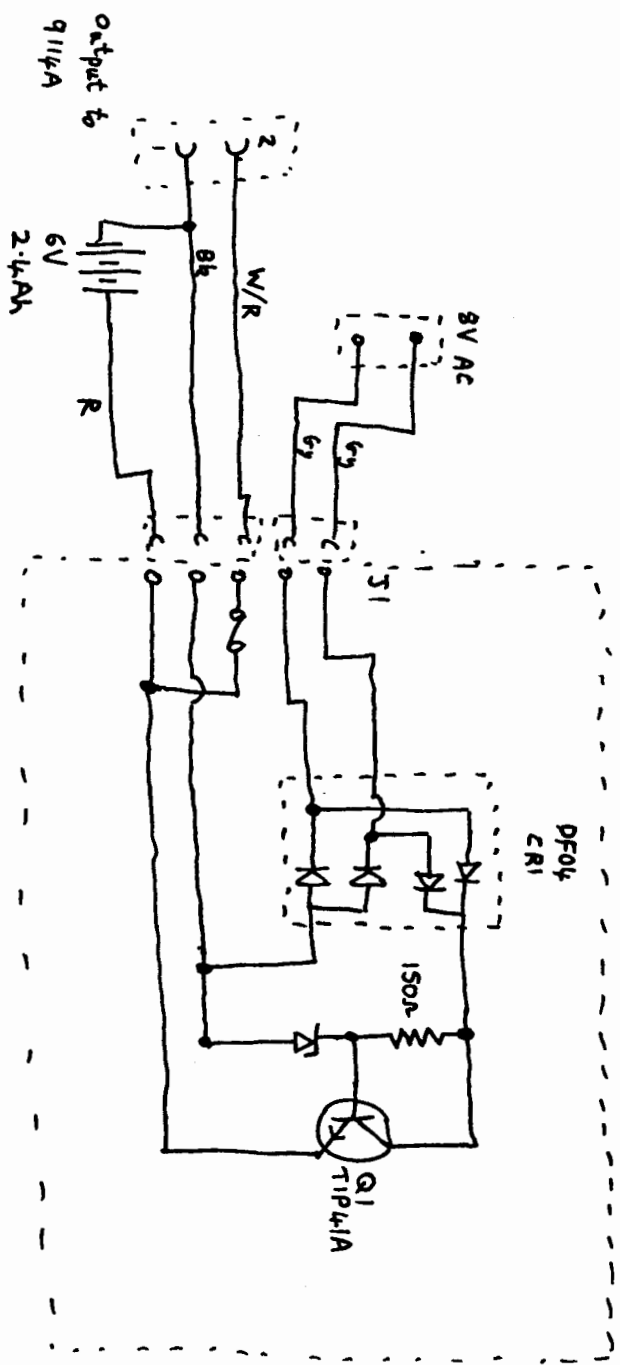


Sony Floppy Drive Spindle Motor Speed ③

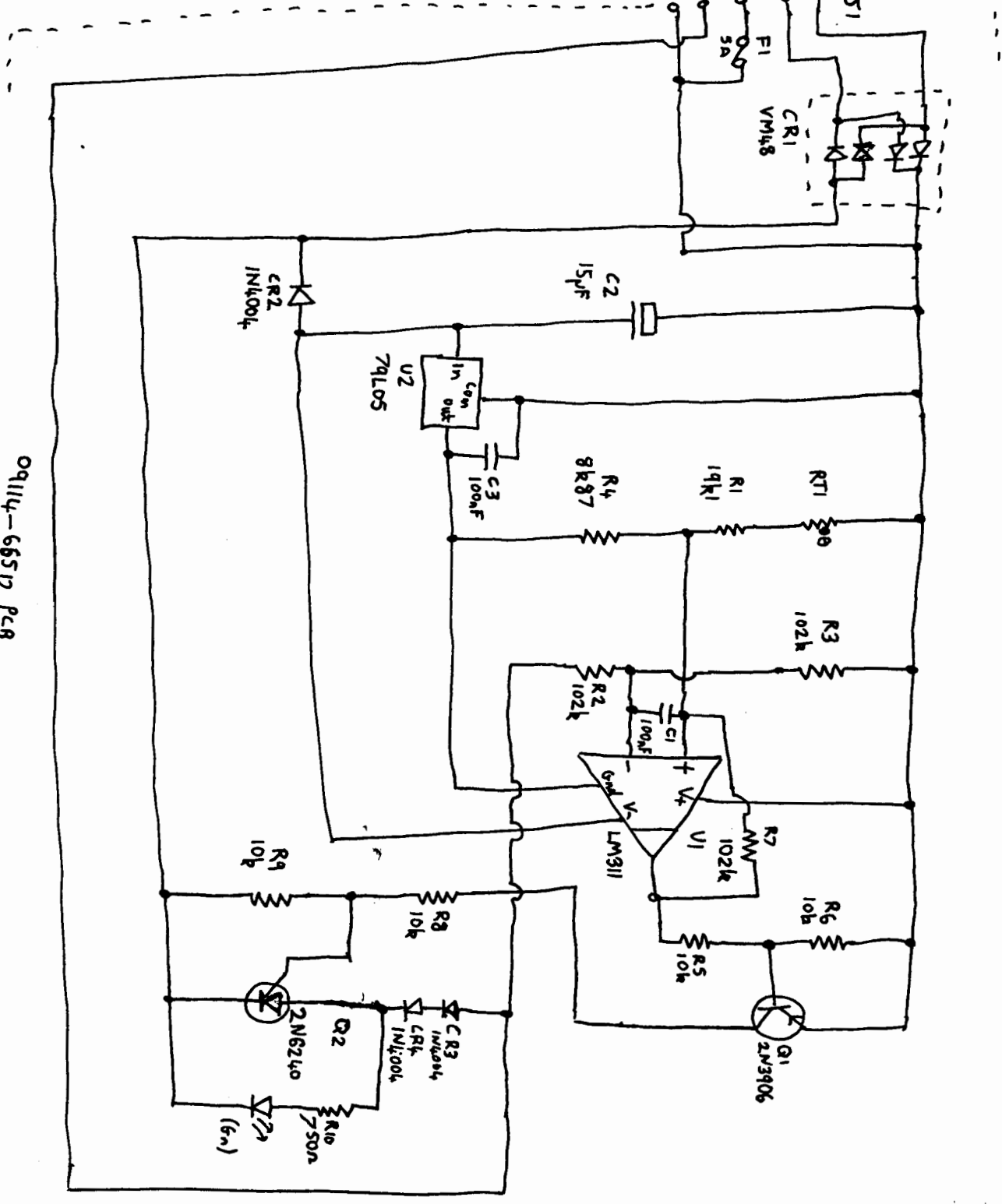
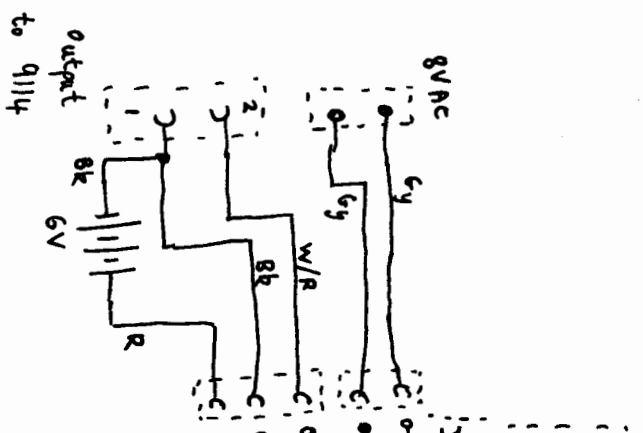
Spindle Motor



Sony Floppy Drive Double-Sided Head



88014A Battery Pack



880148 Battery Pack

09114-66512 P.8