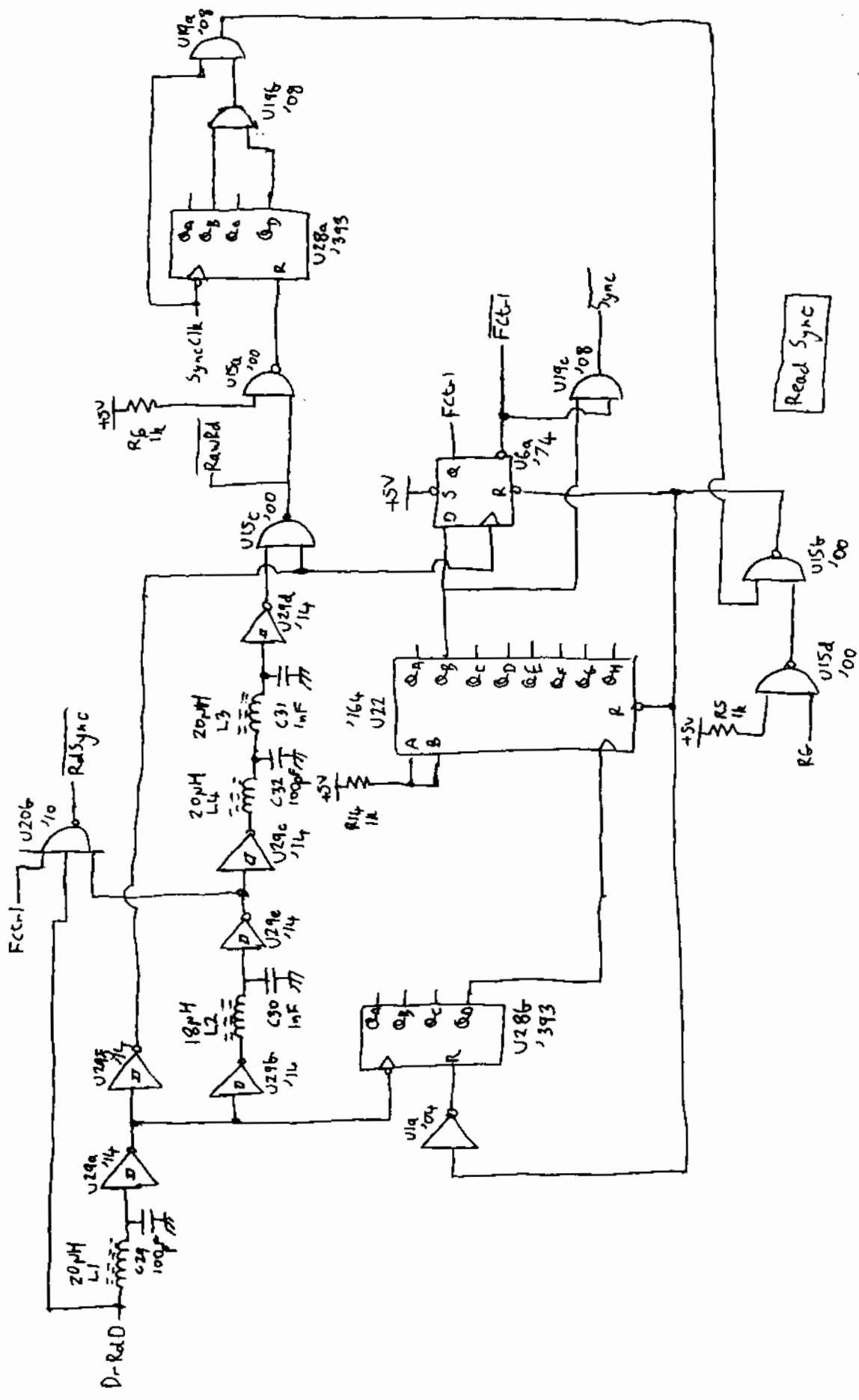


Write Precompensation

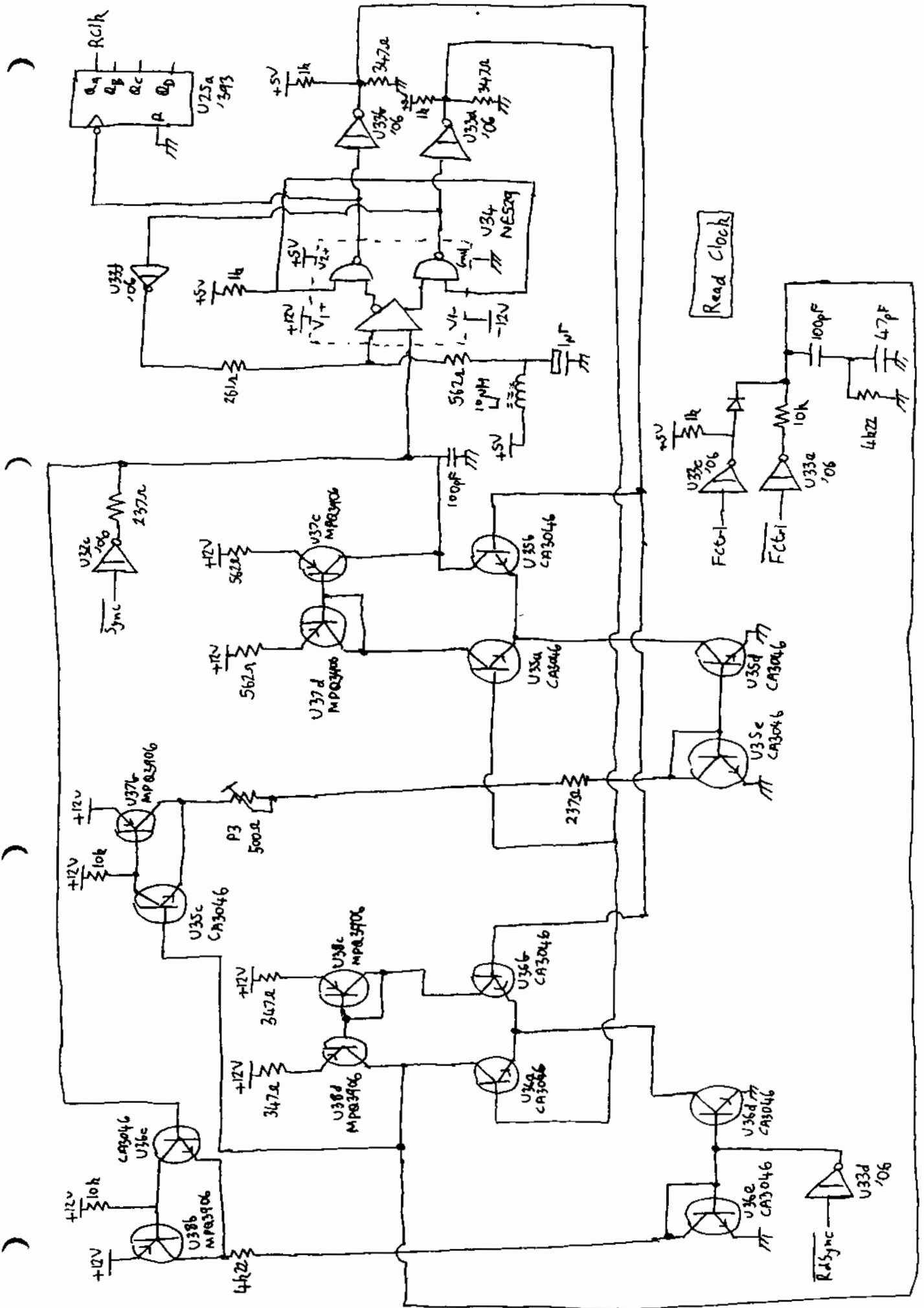
Drive Interface

(Disk Drives)

U21
MB8876
(As WD1793)
(No +12V)
Disk Controller



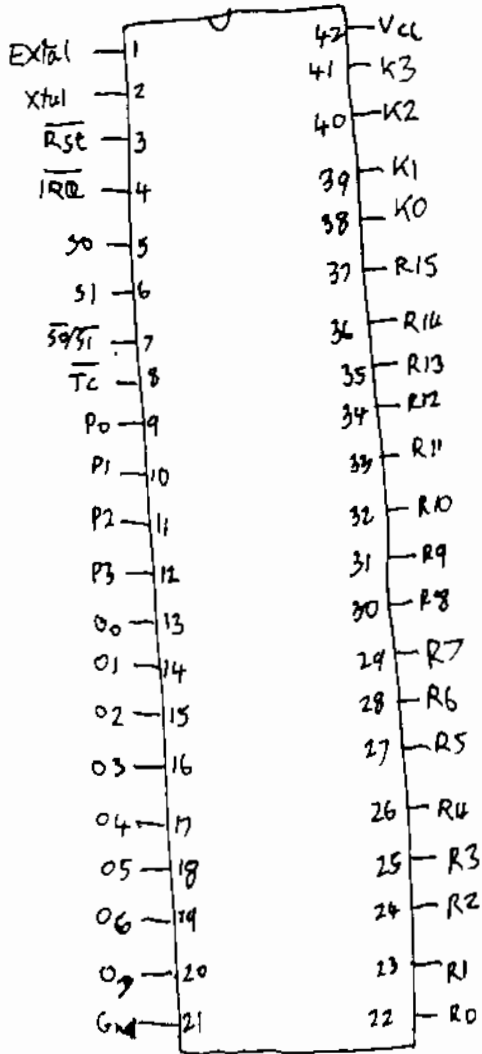
HPq121 Controller PCB Sheet (6) 09121-66510



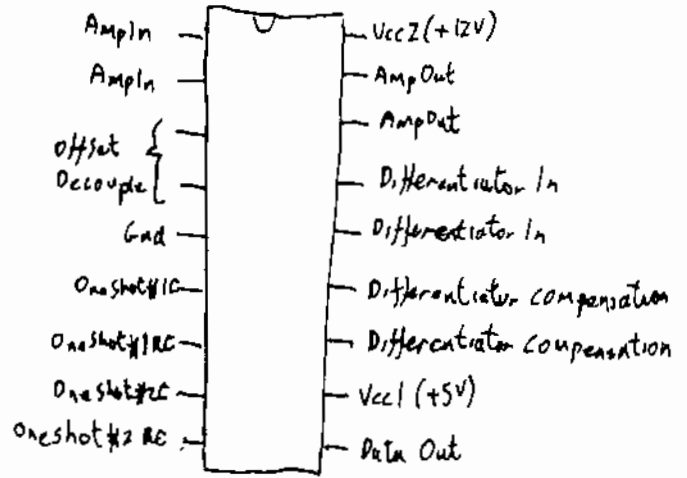
09121-66510

HP9121 Controller PCB Sheet 7

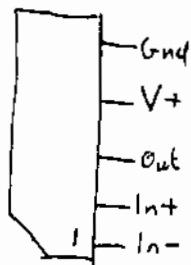
FC6 PCB



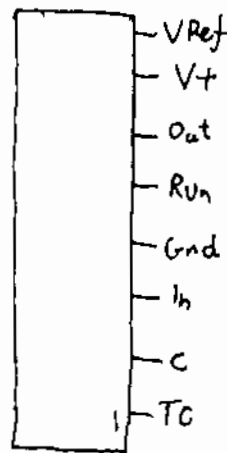
MB8843
4-bit Microcontroller



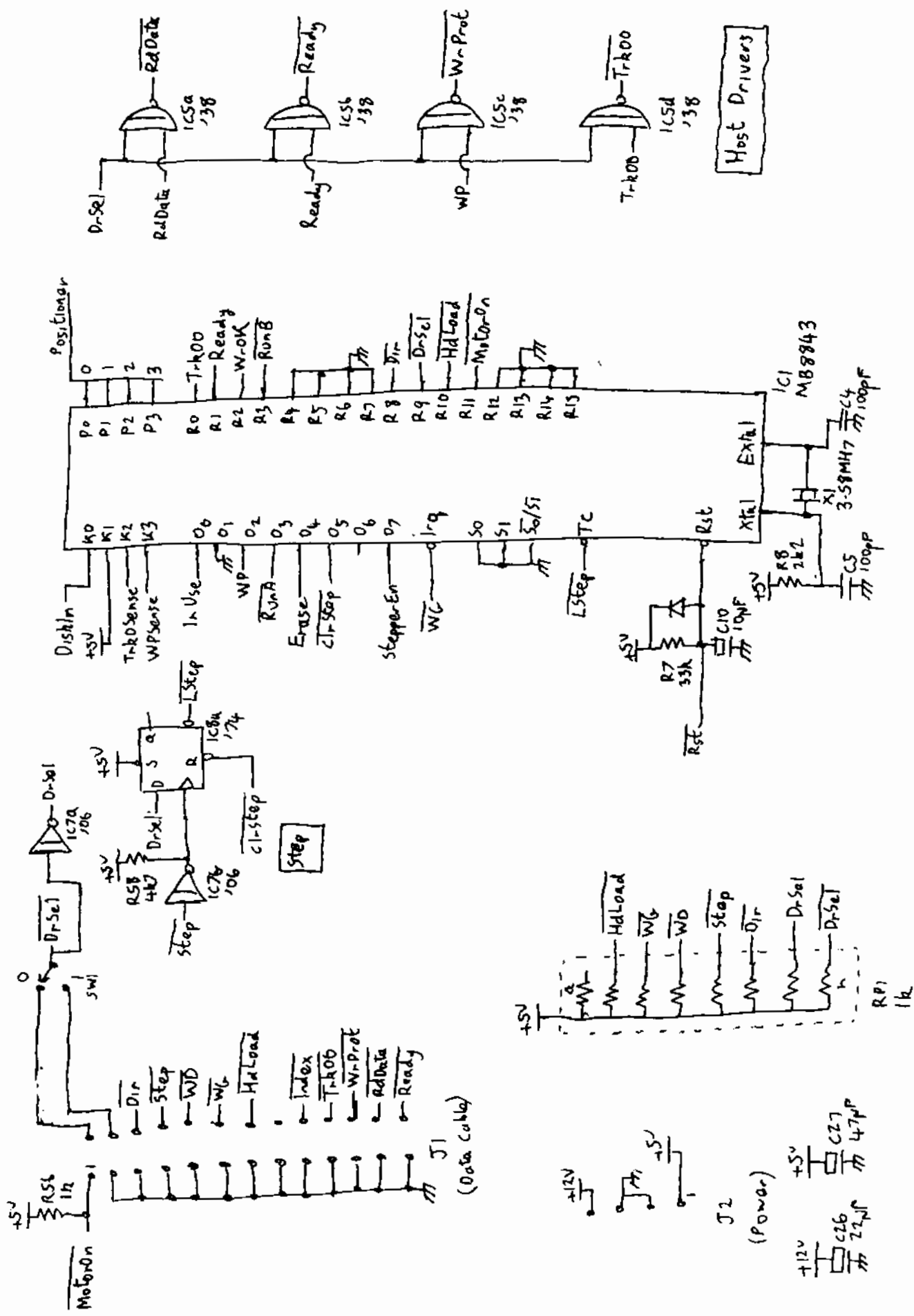
MC3470
Disk Read
Chain



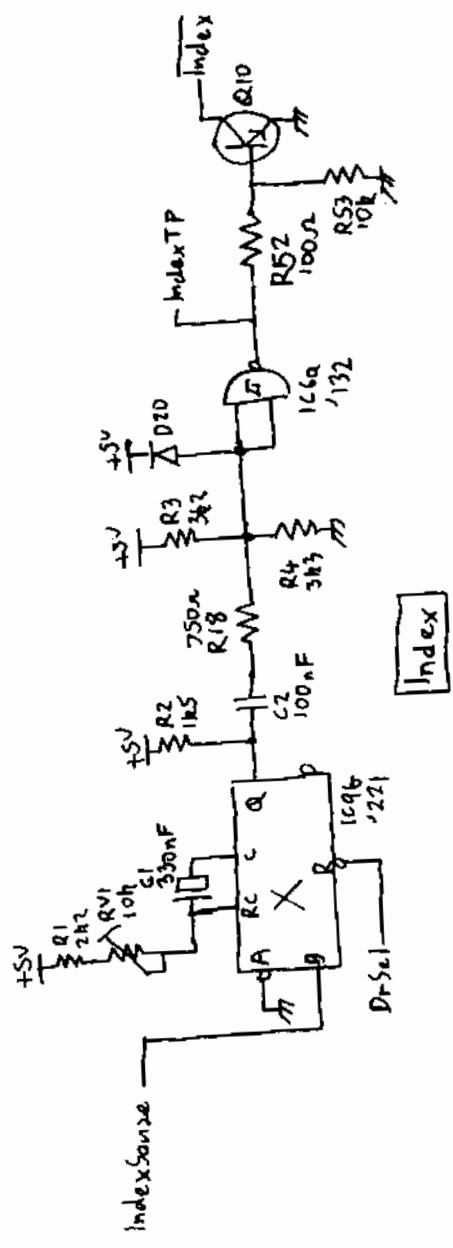
MS1204
Comparator



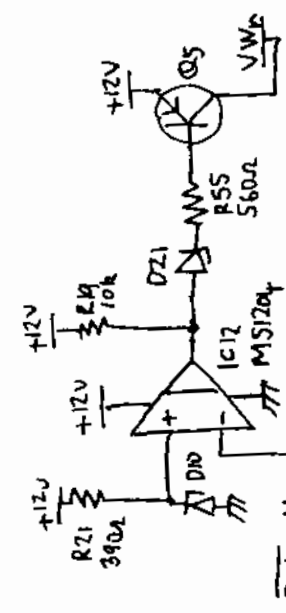
CX-069
Motor Controller



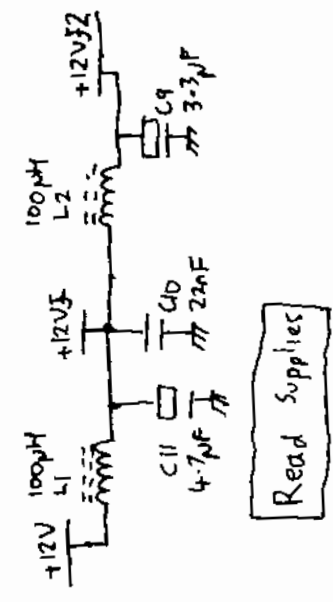
Sony Single-Head Disk Drive Sheet 1 FC-6 PCB



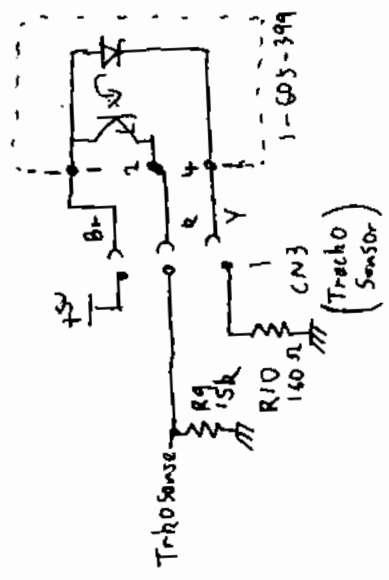
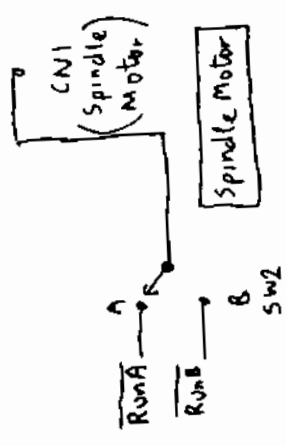
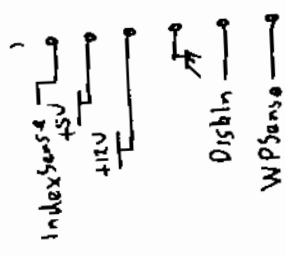
Index



Power OK

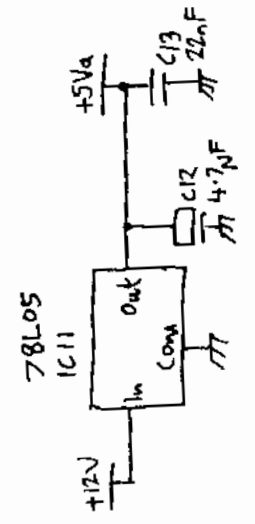


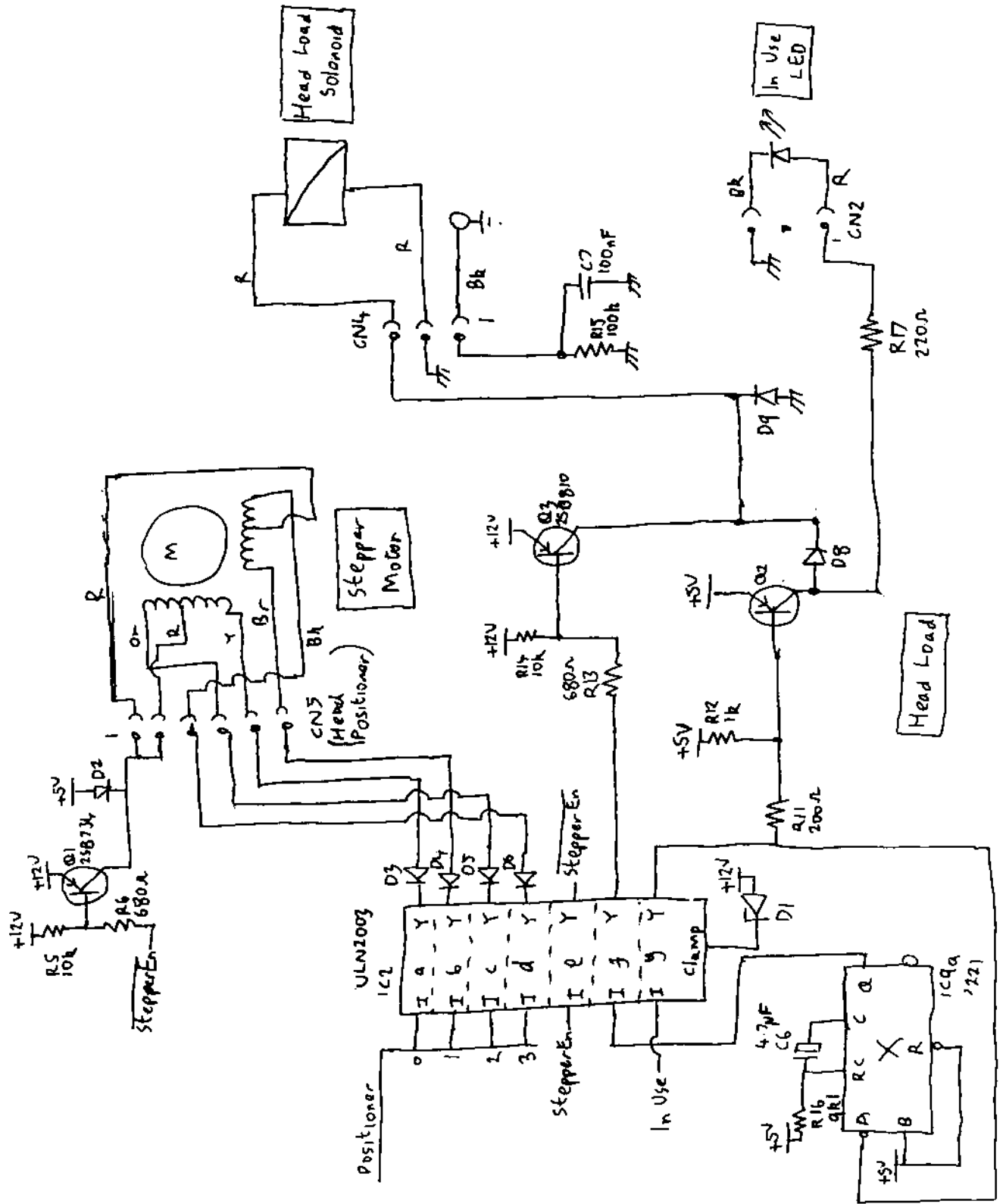
Read Supplies

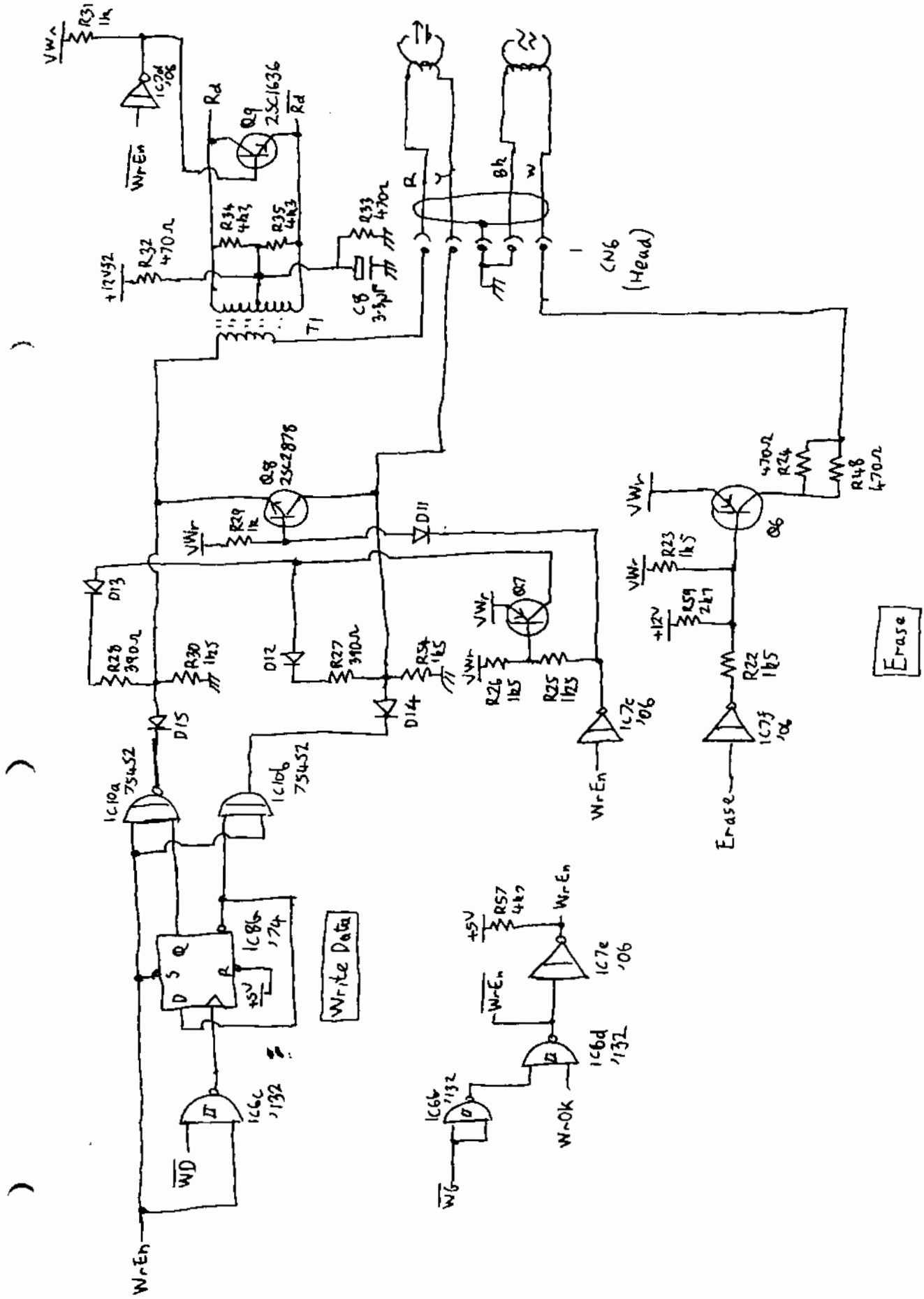


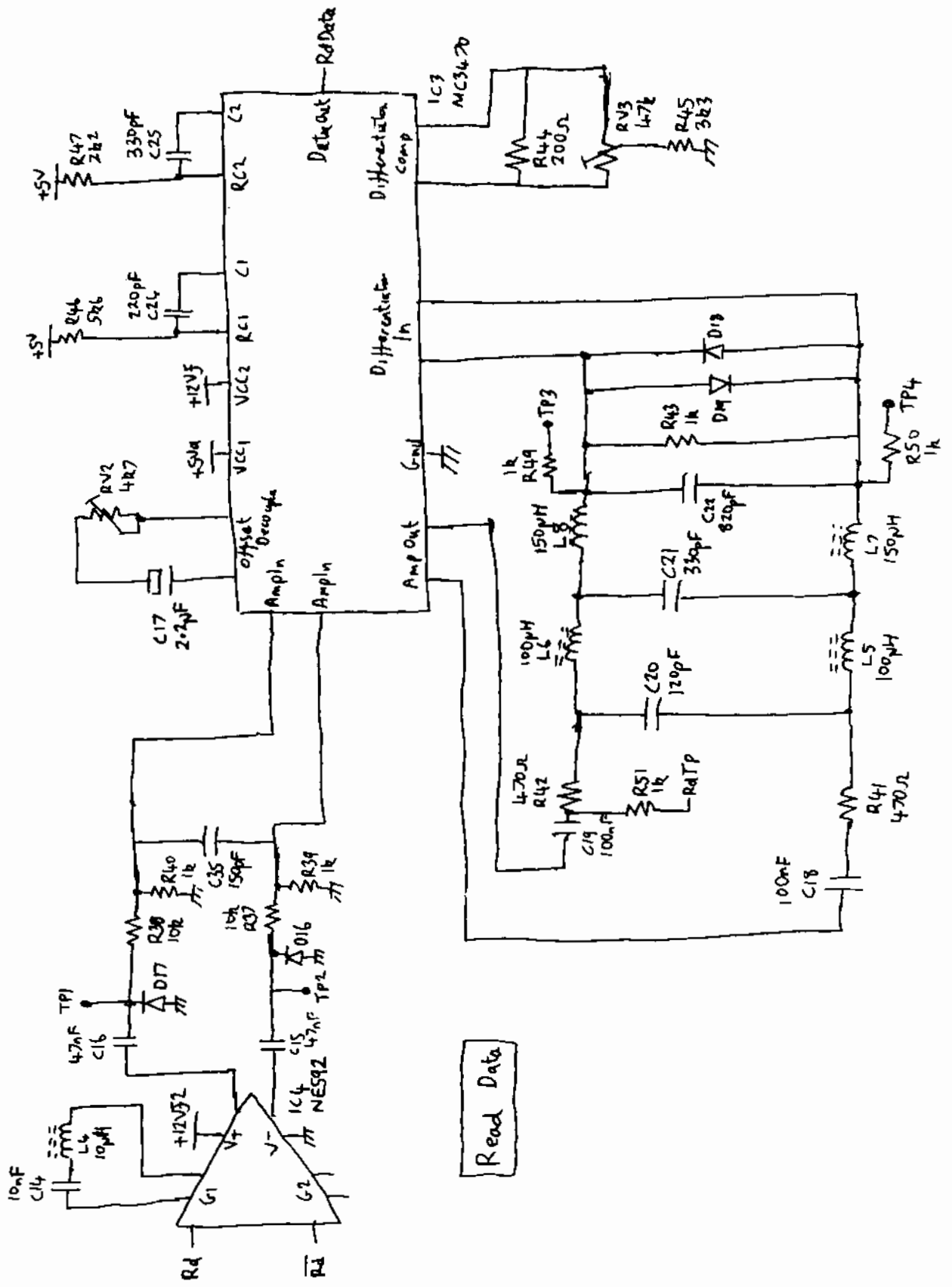
Track 0 Sensor

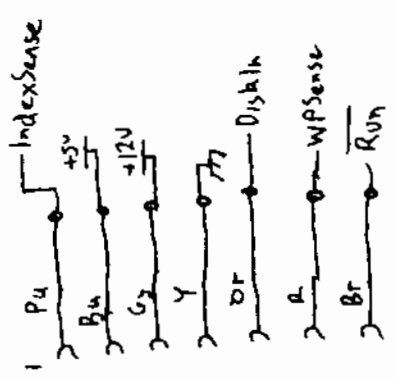
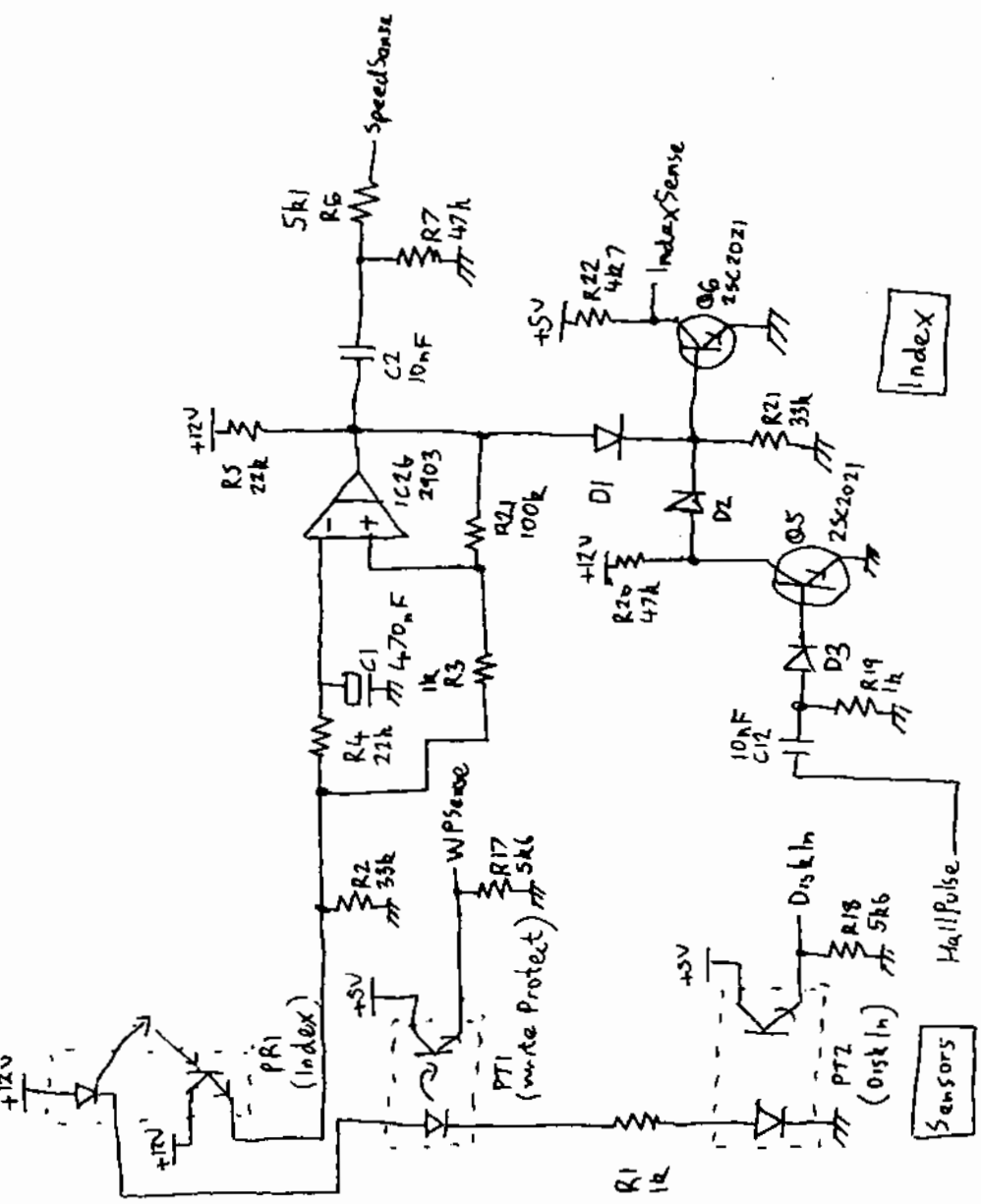
(Test Points)



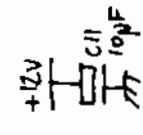


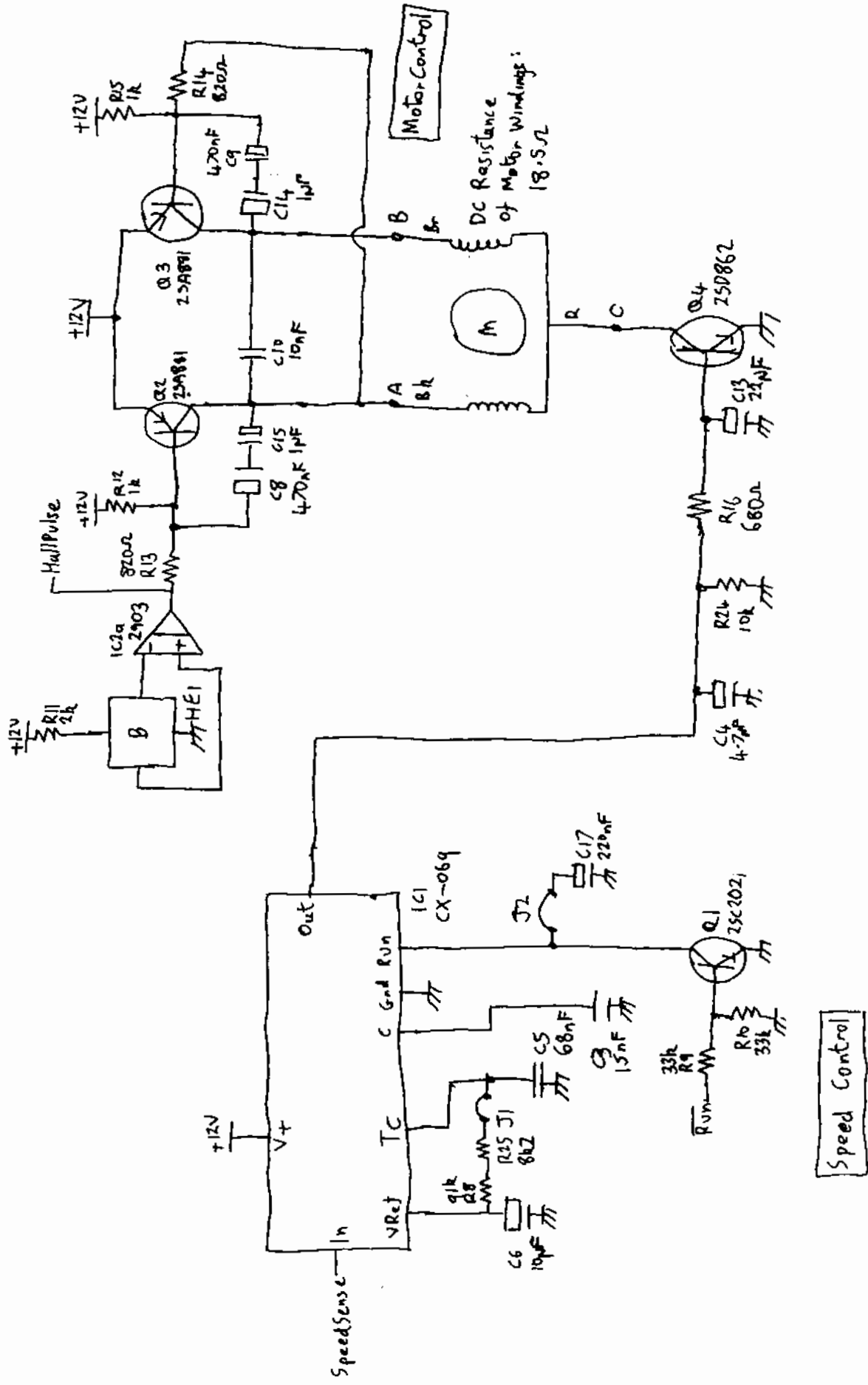


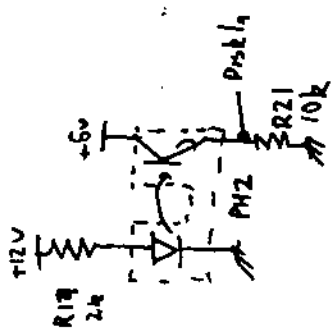
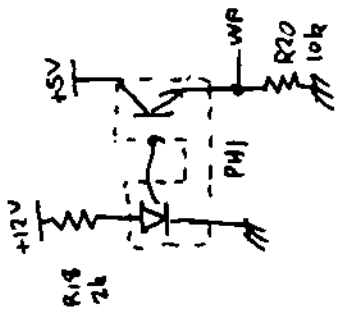




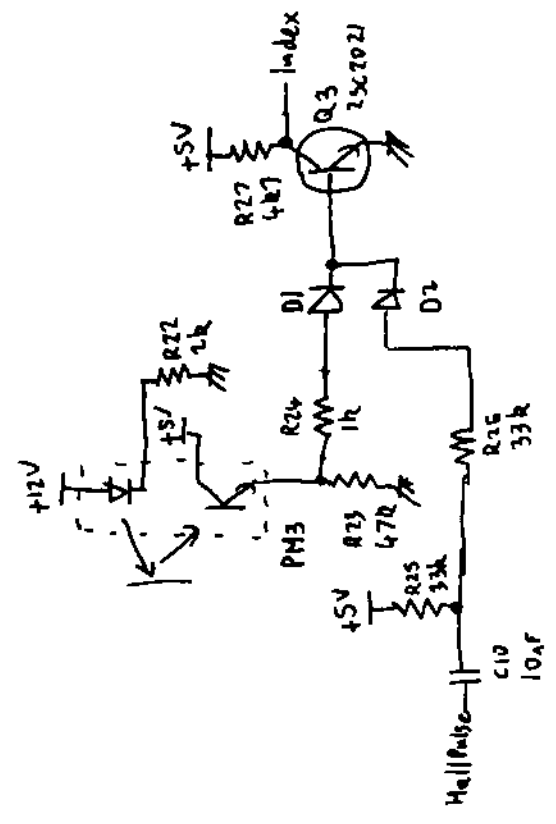
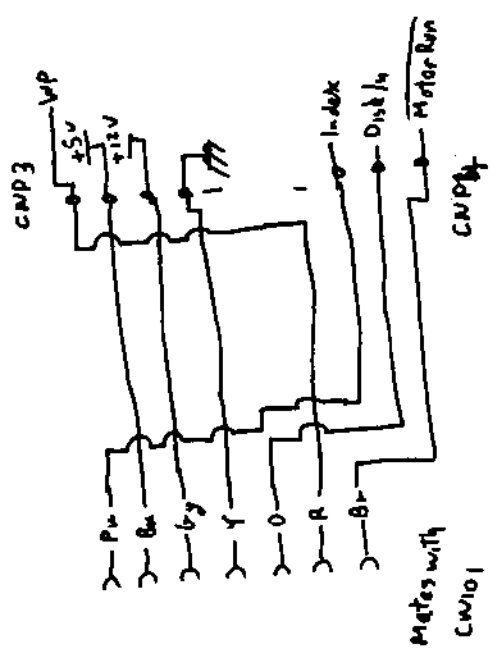
(To CNI)



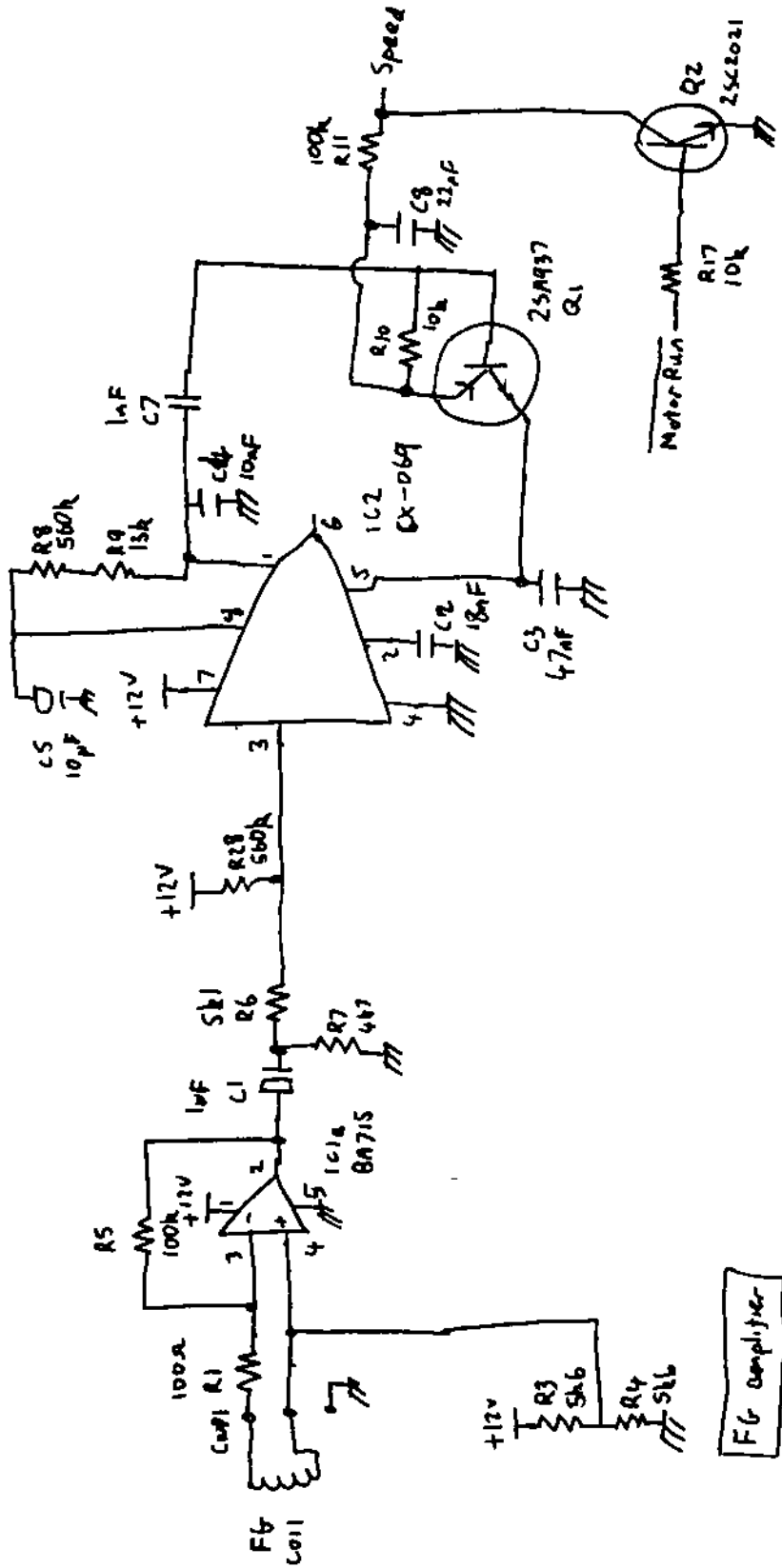




Sensors



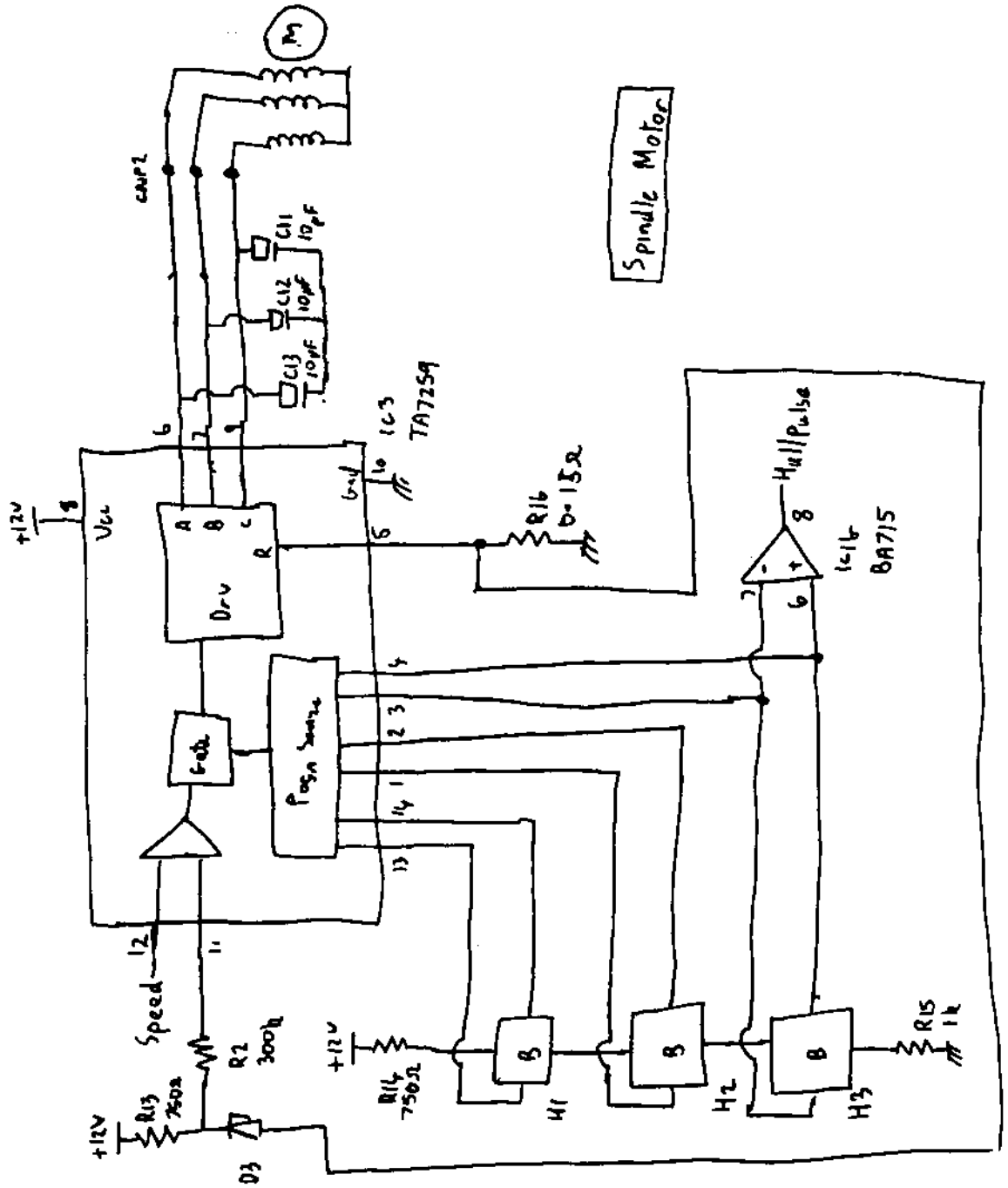
Sony Floppy Drive Spindle Motor. Sheet 1



Spindle Speed

FG amplifier

Sony Floppy Drive Spindle Motor sheet 2



Sony Floppy Drive Spindle Motor Sheet ③