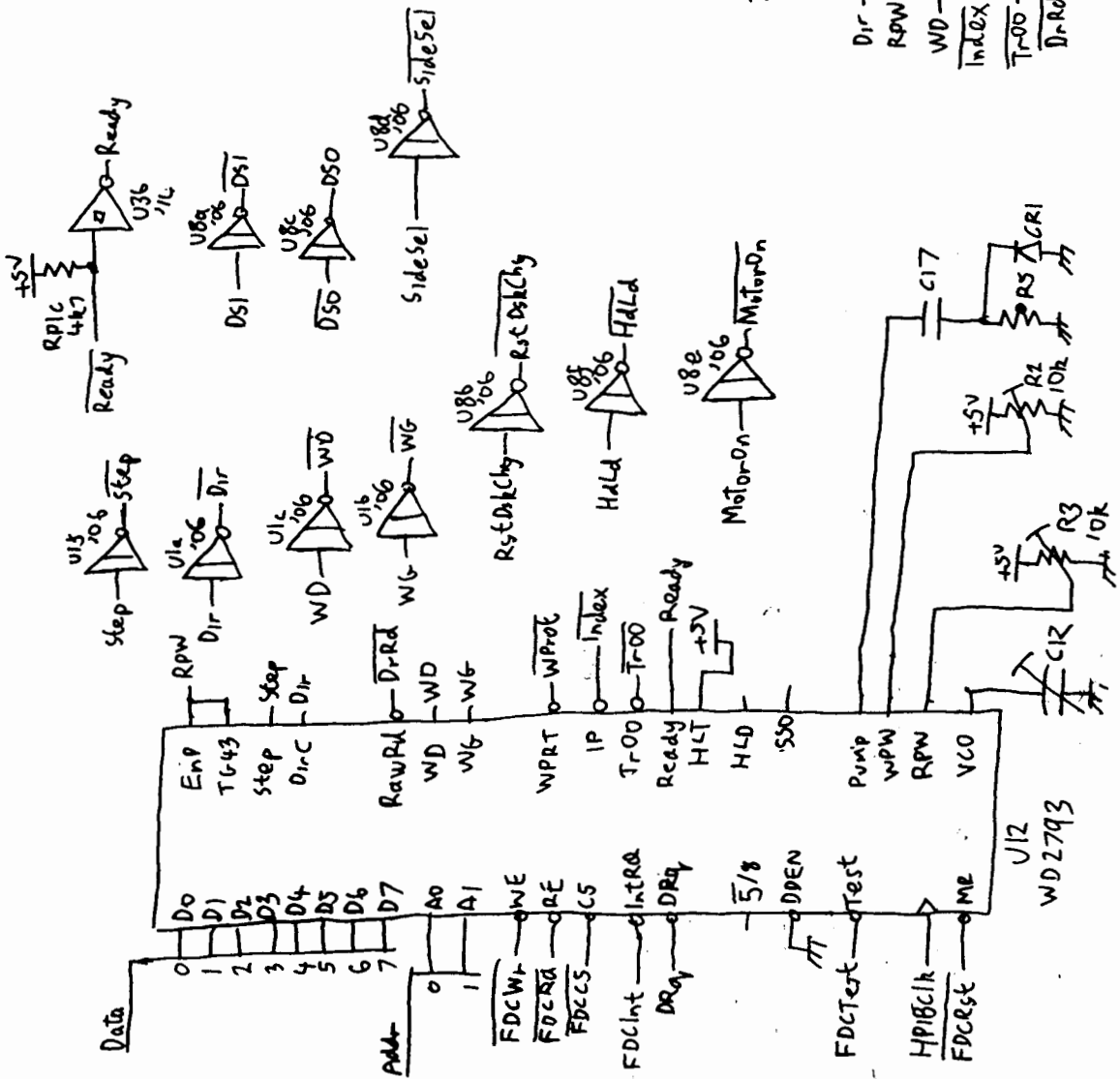
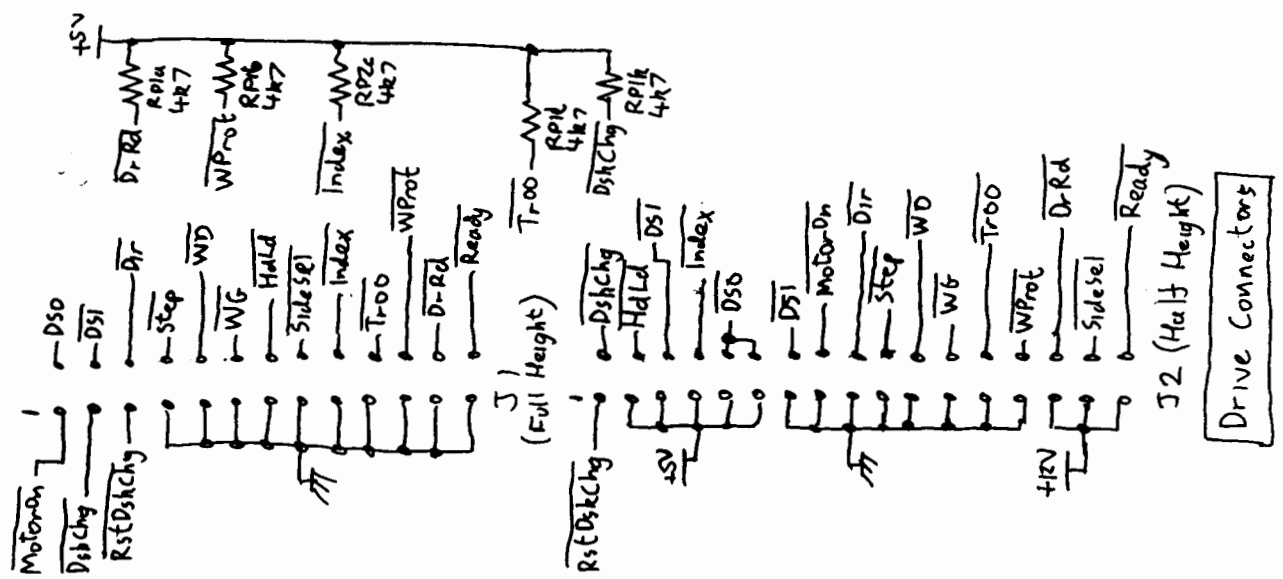


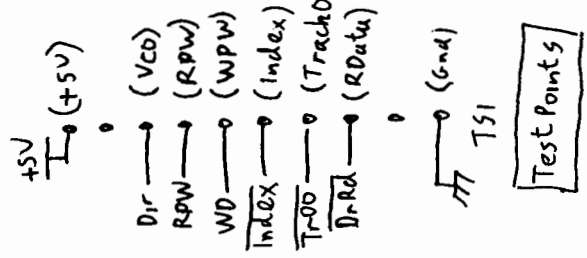
HP123 Interface



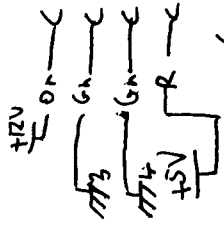
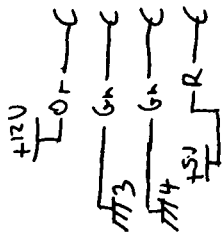
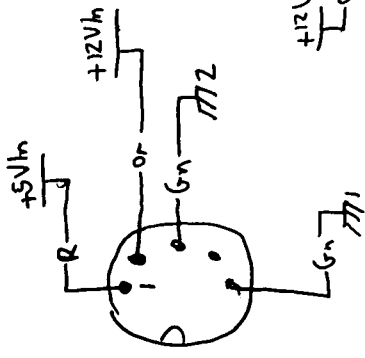
Disk Controller



Drive Connectors

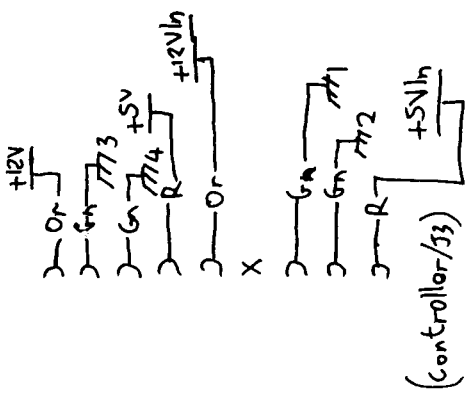


Test Points



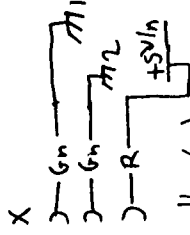
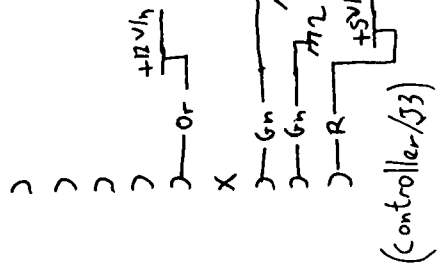
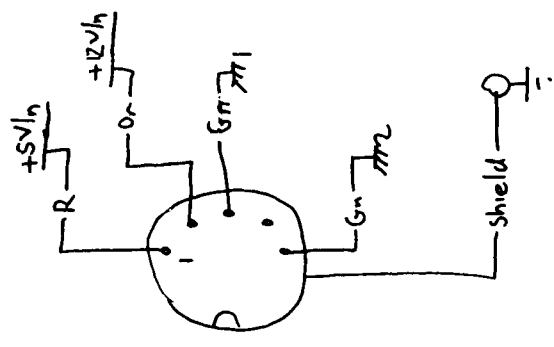
(Drive Power)

Full Height Drives

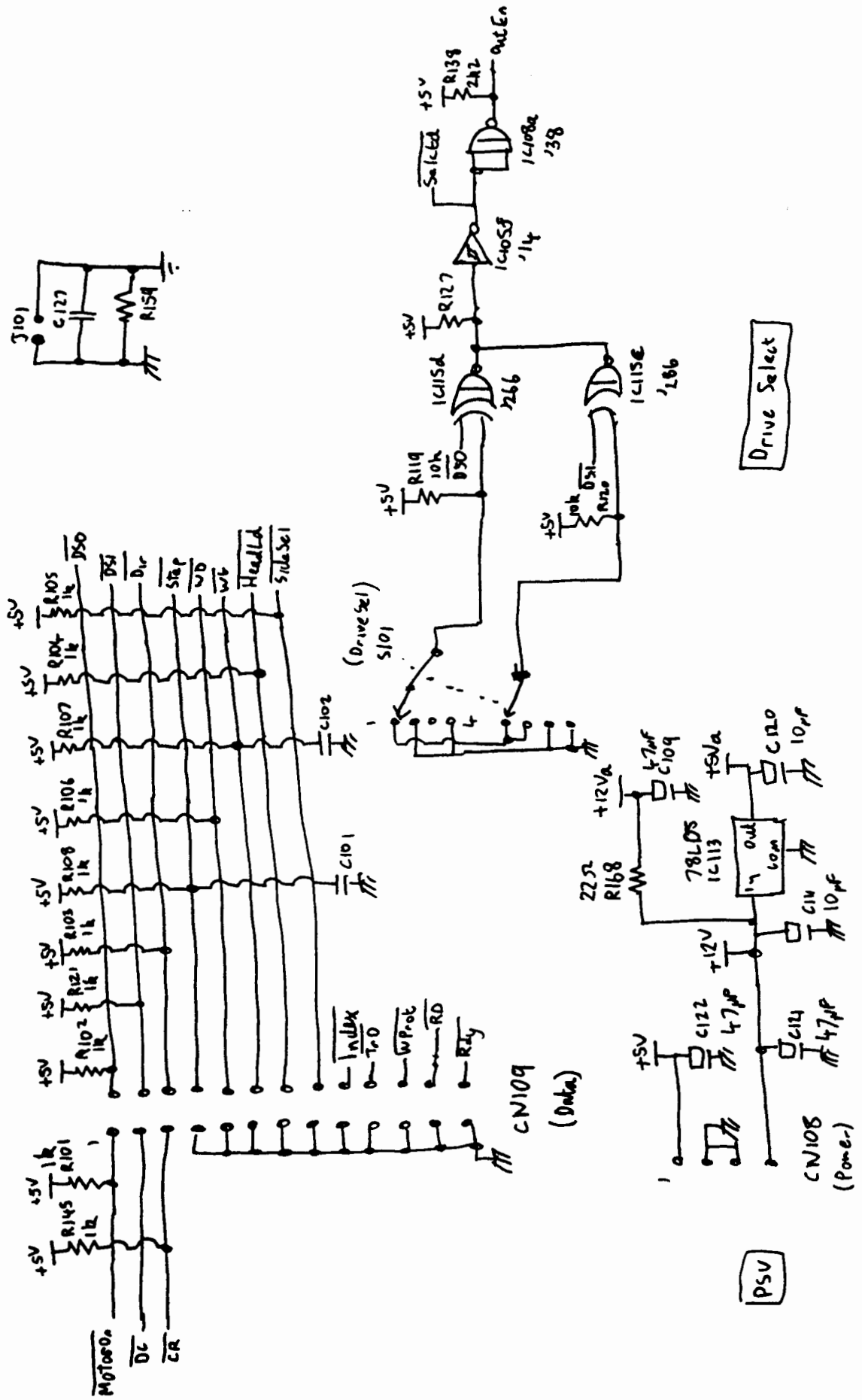


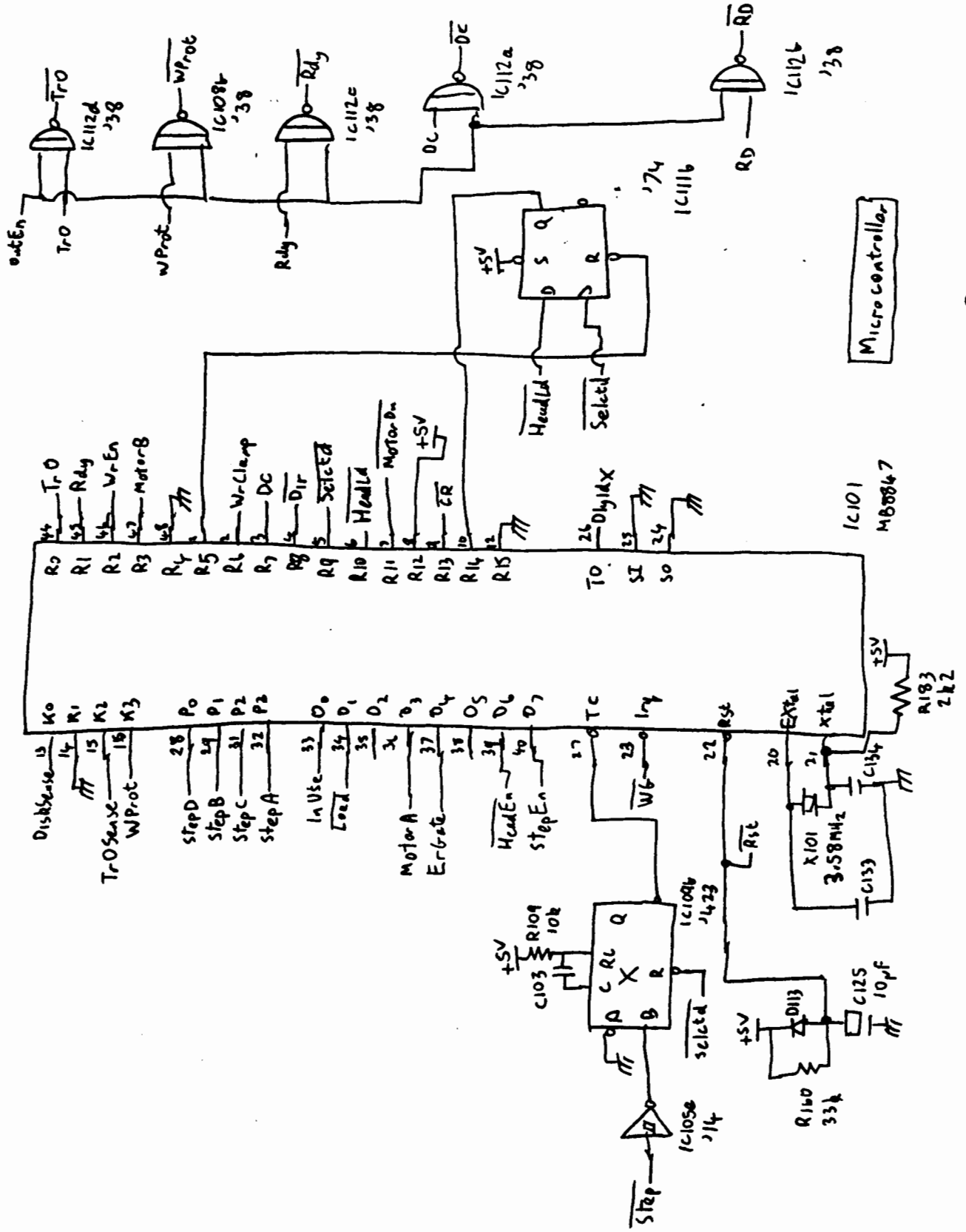
(Controller/S3)

Half Height Drives

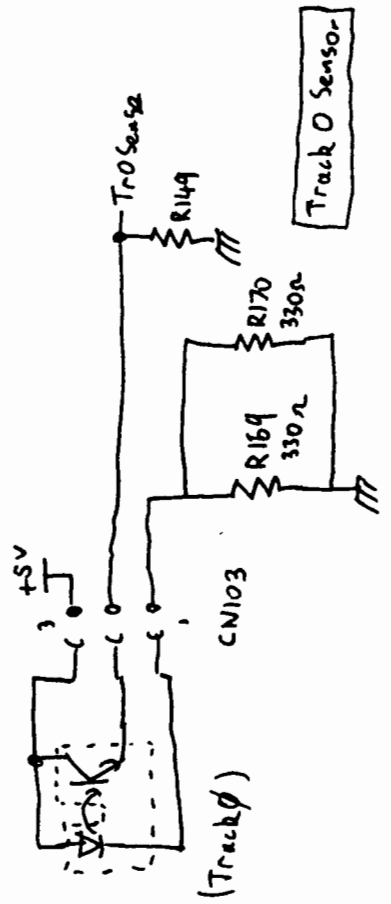
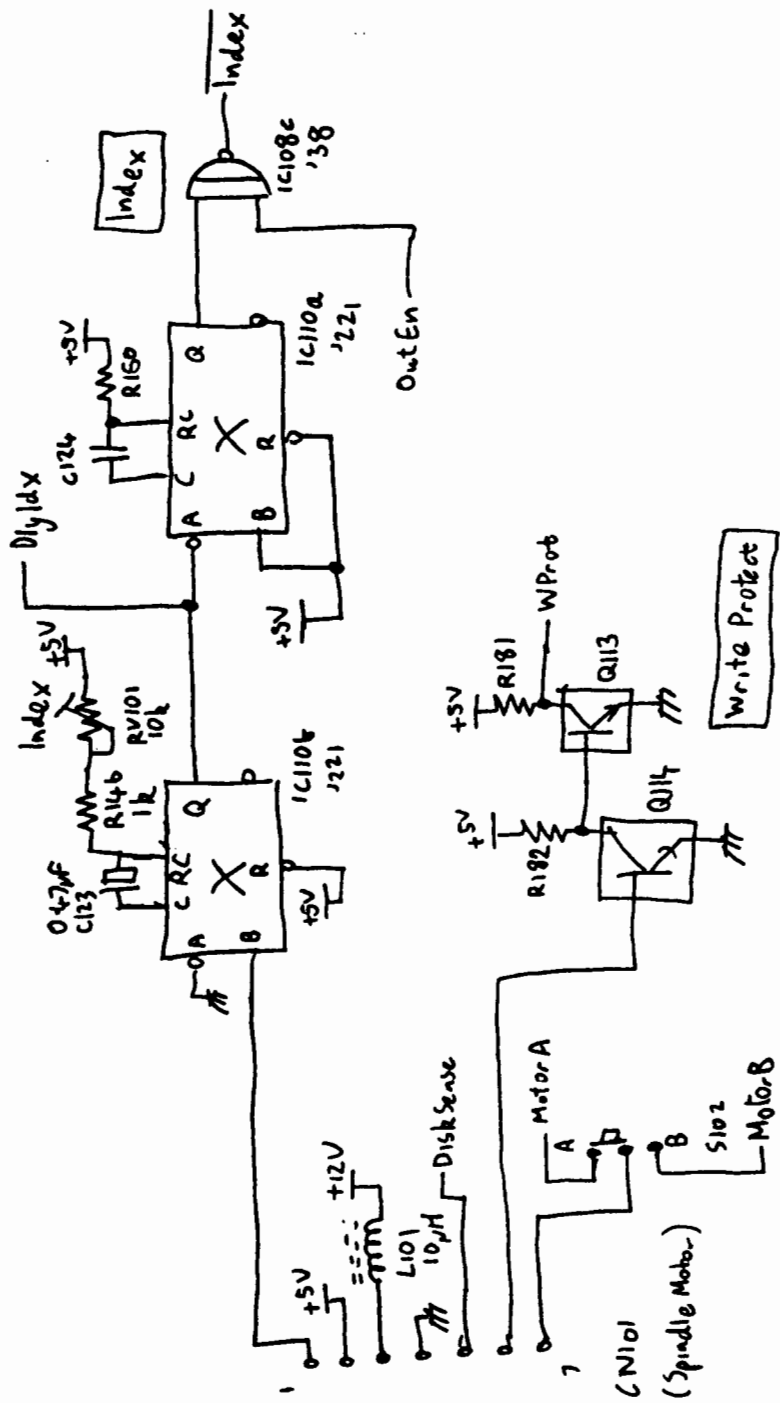


HP9123 Power Cable

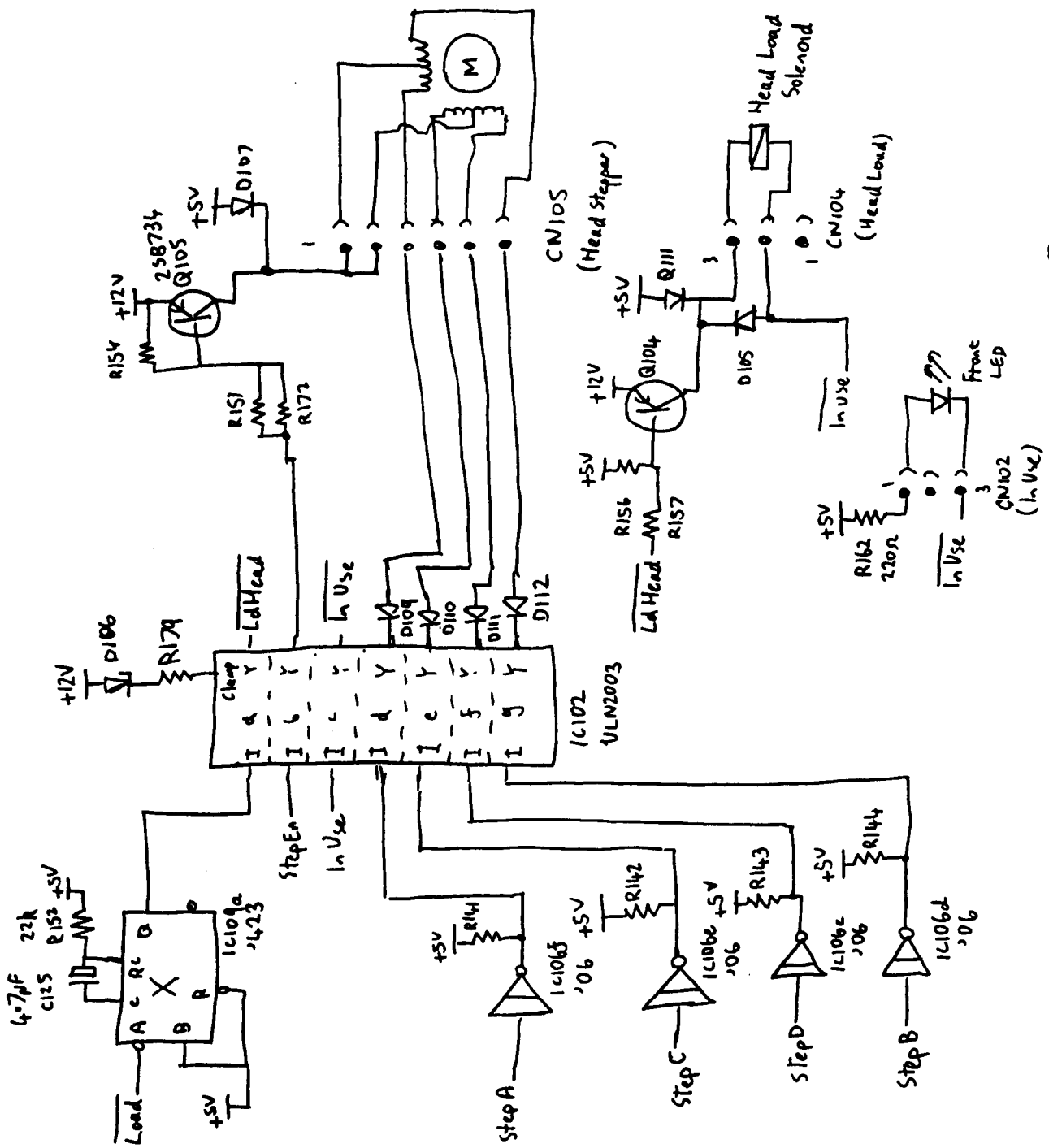


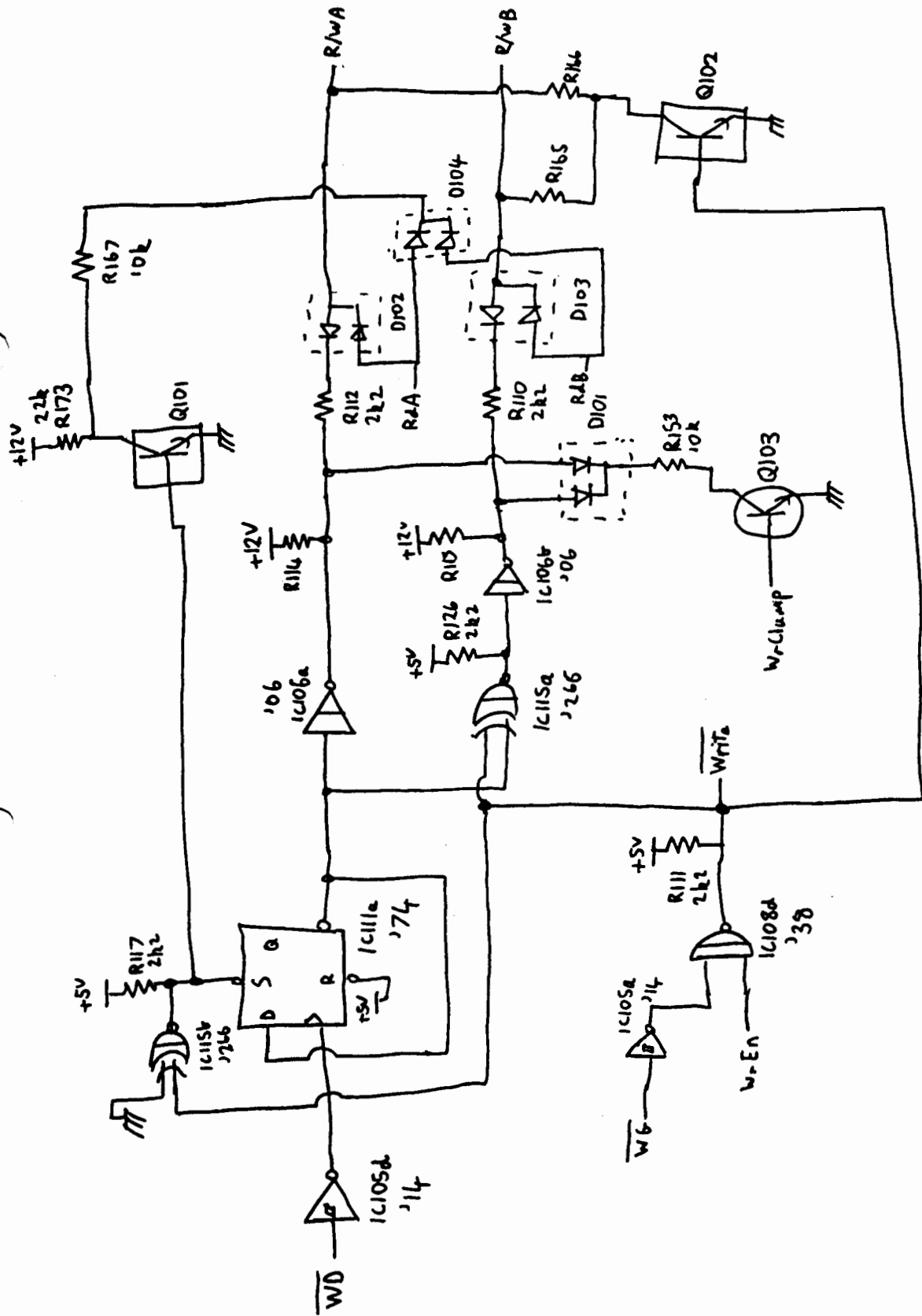


Sony Floppy Drive Logic Board FC9 sheet 2

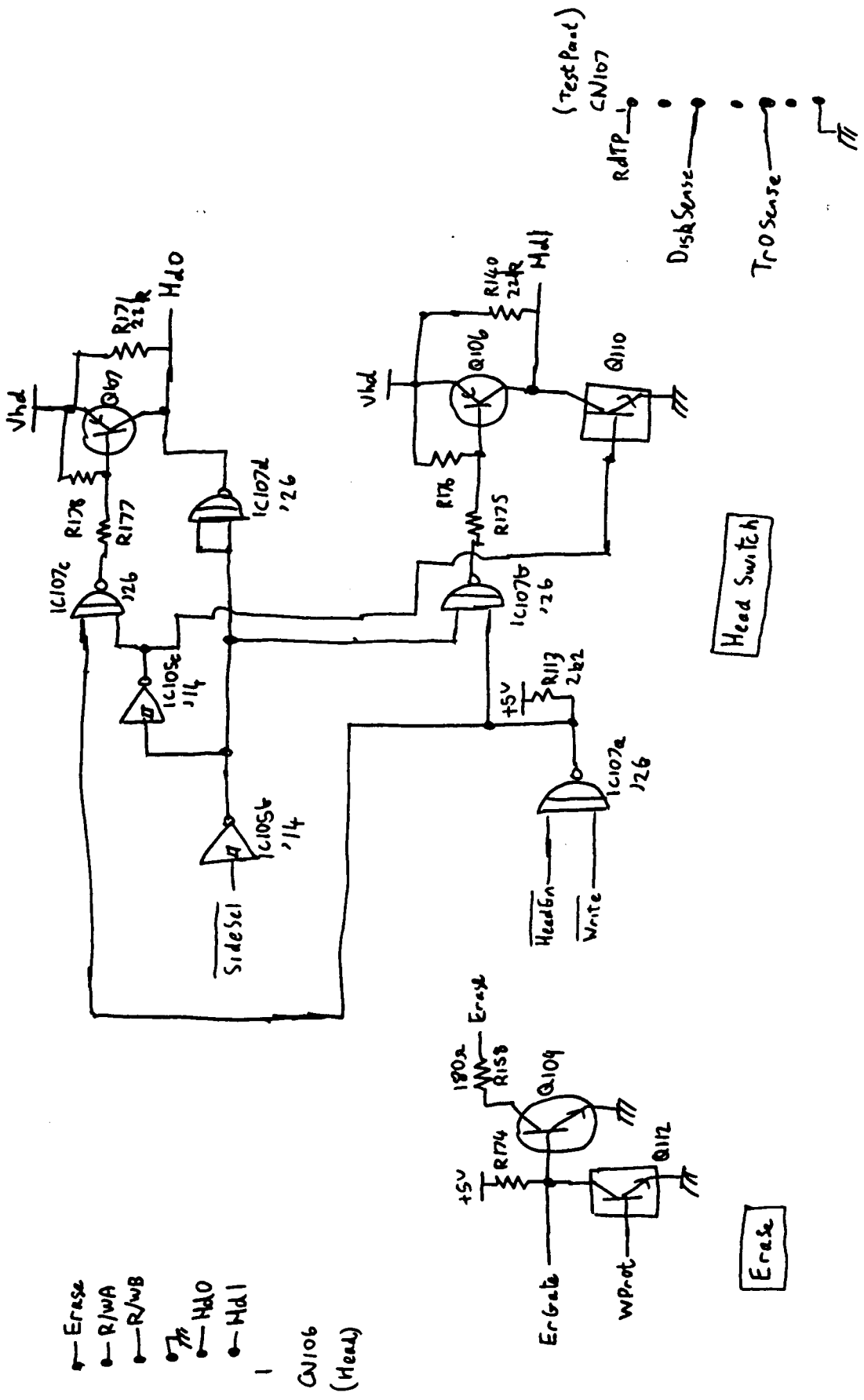








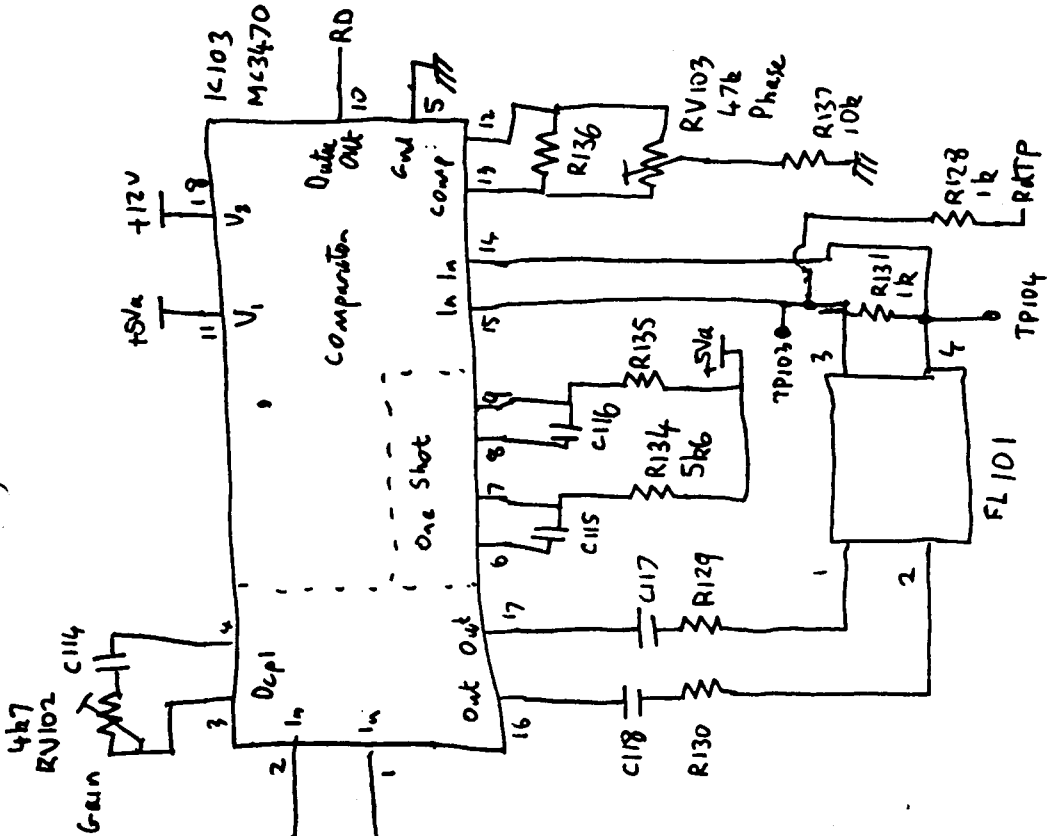
Write



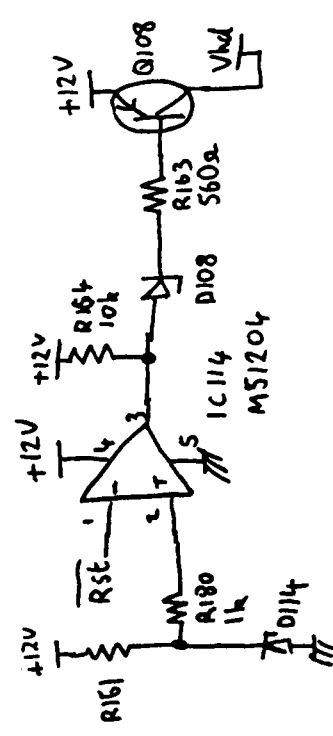
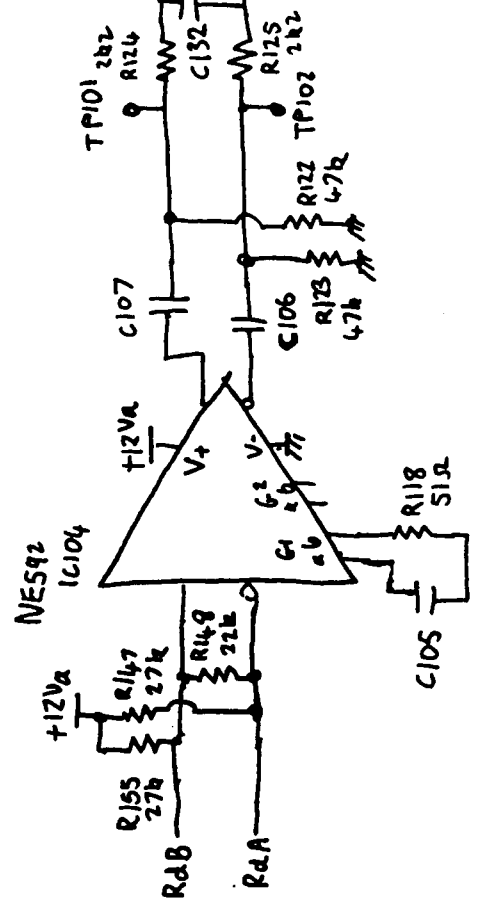
- ErGatb
- R/WA
- R/WB
- Hd0
- Hd1
- 1
- CN106 (Head)

Erase

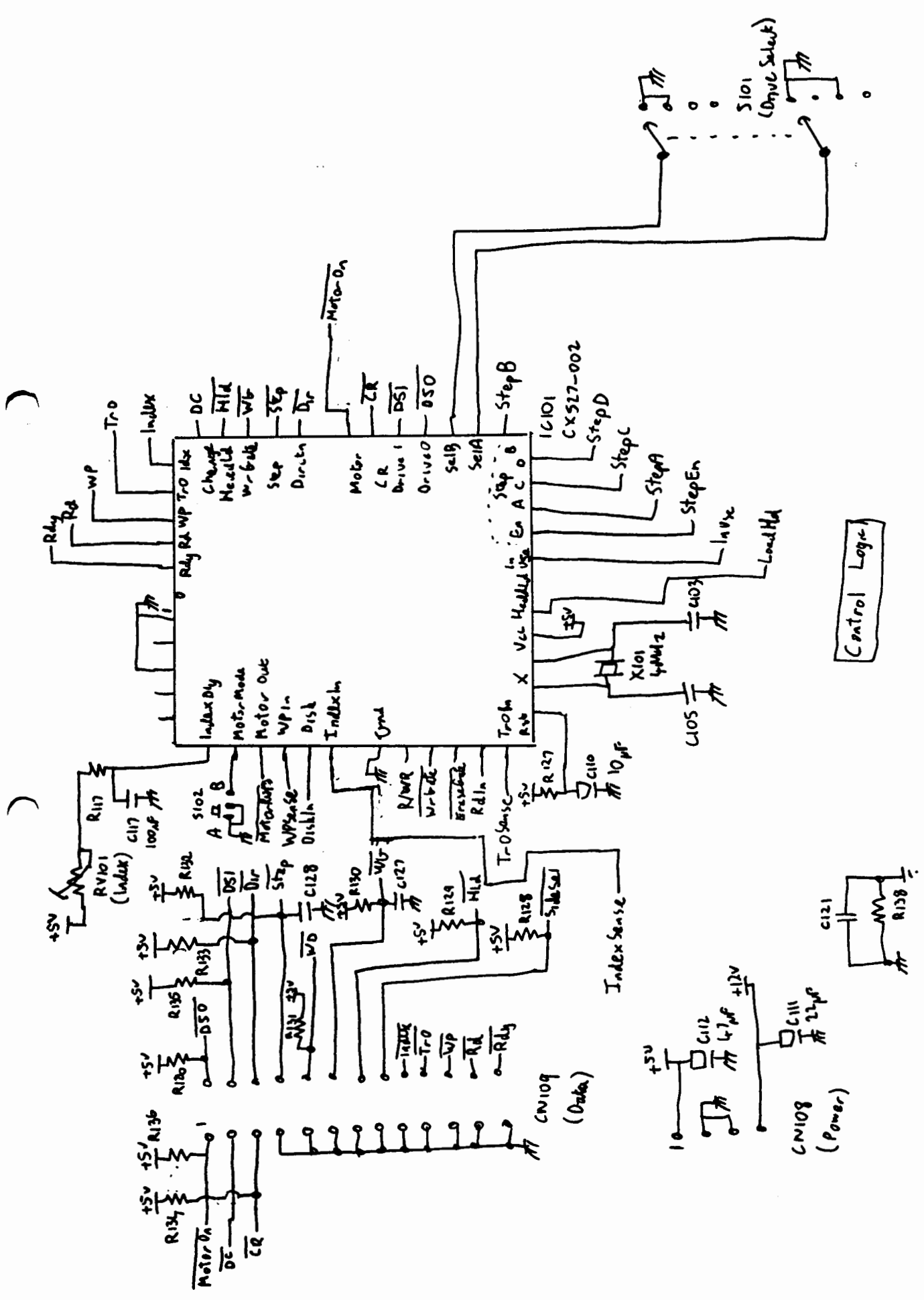
Head Switch



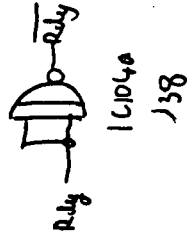
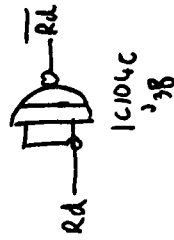
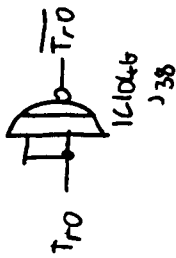
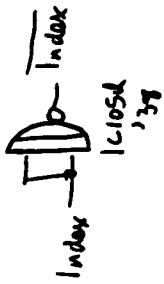
Read



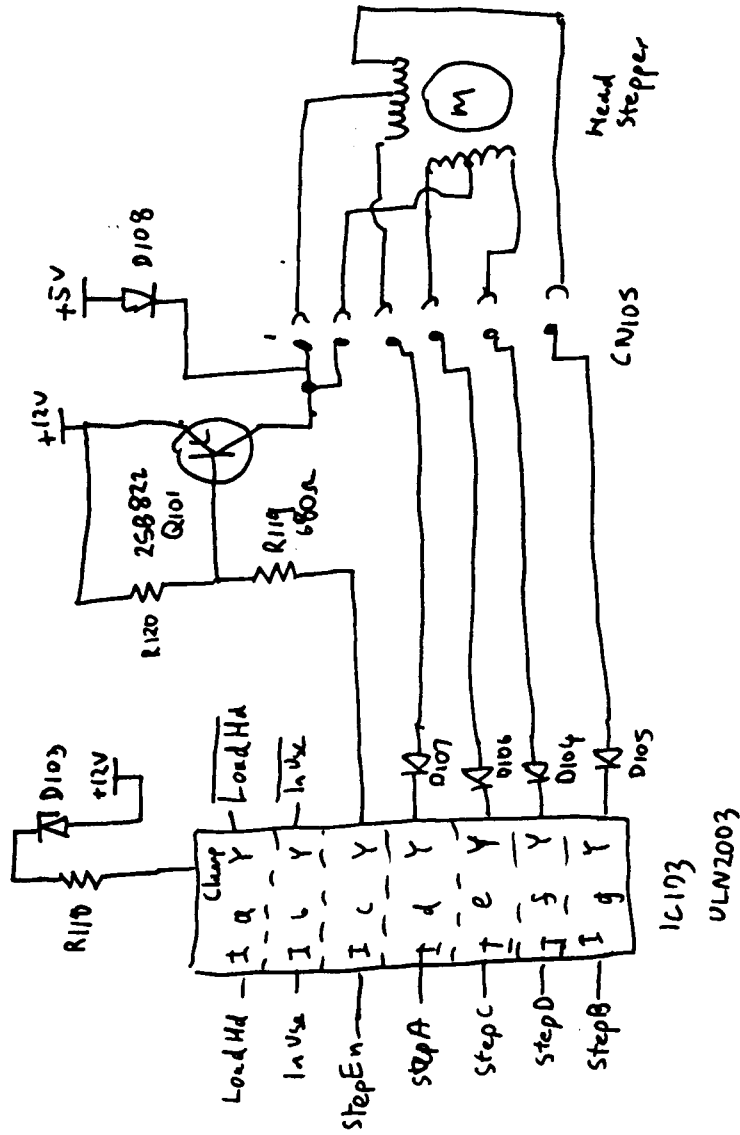
Power Ok

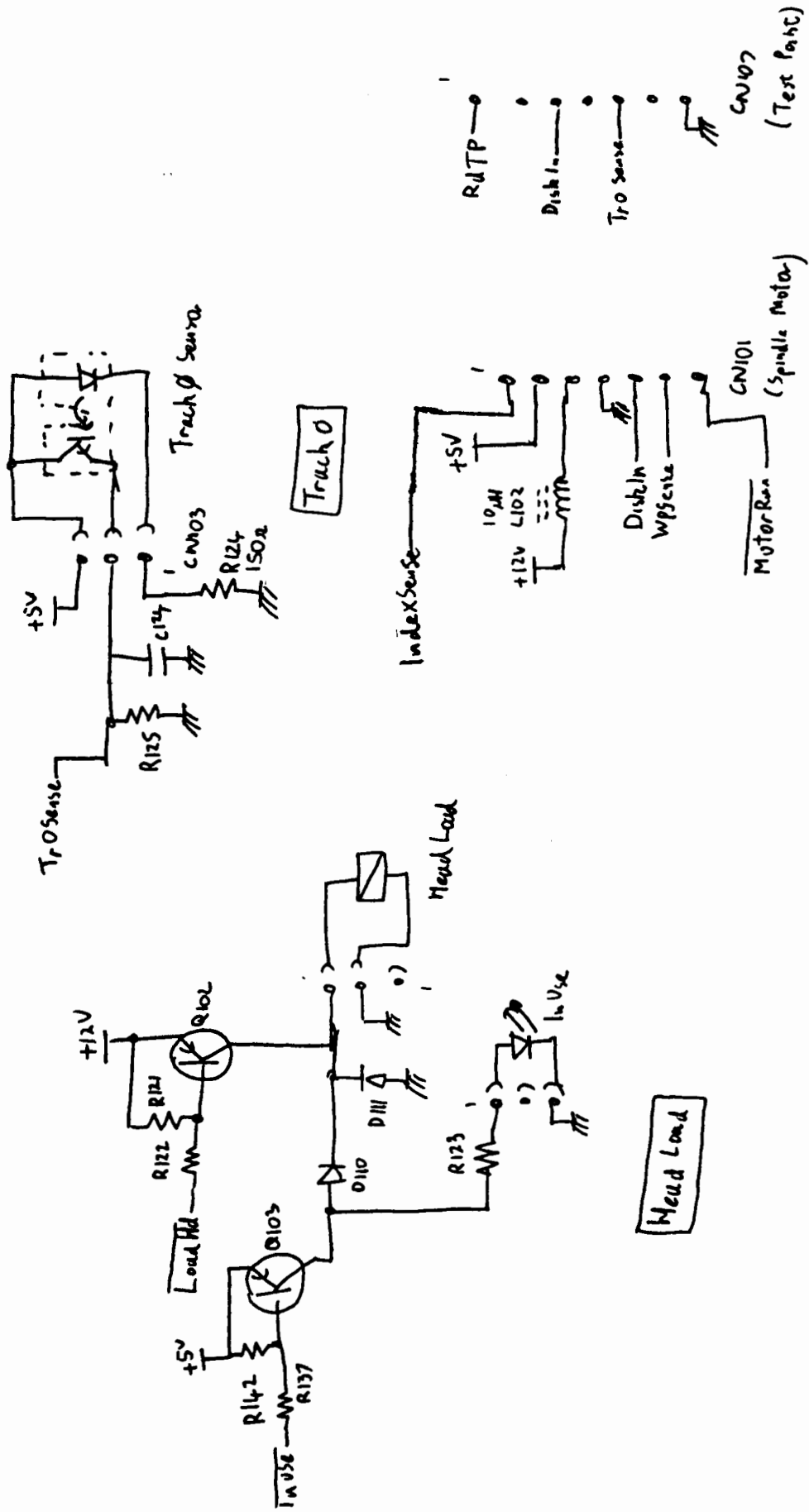


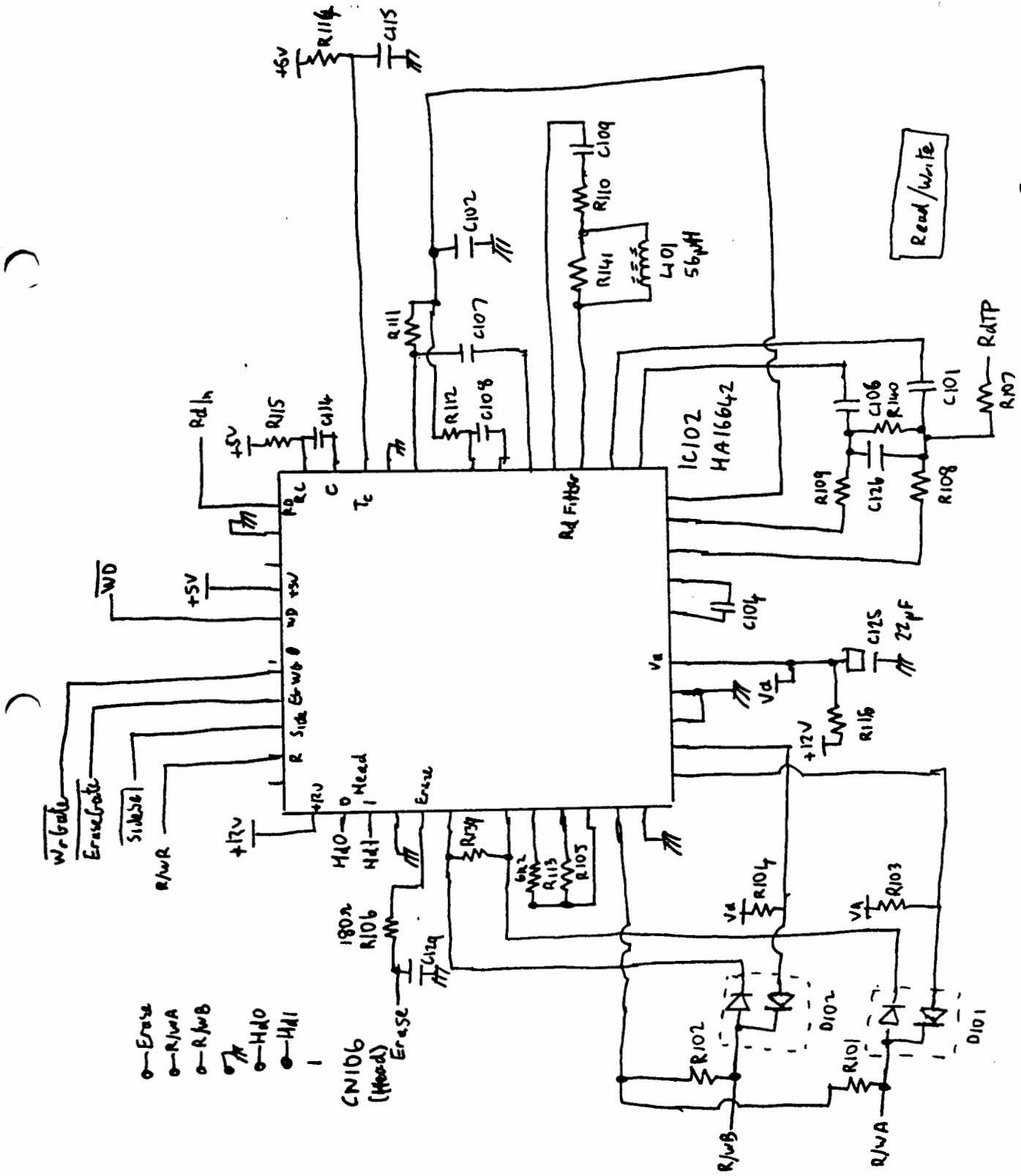
Sony Floppy Drive Logic Board FC16 Sheet 1



Interface Output

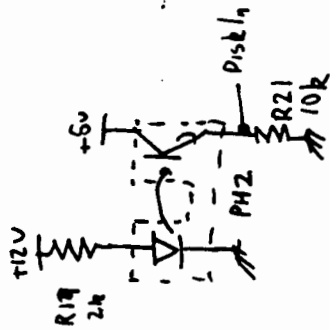
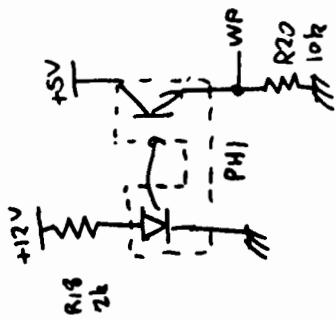




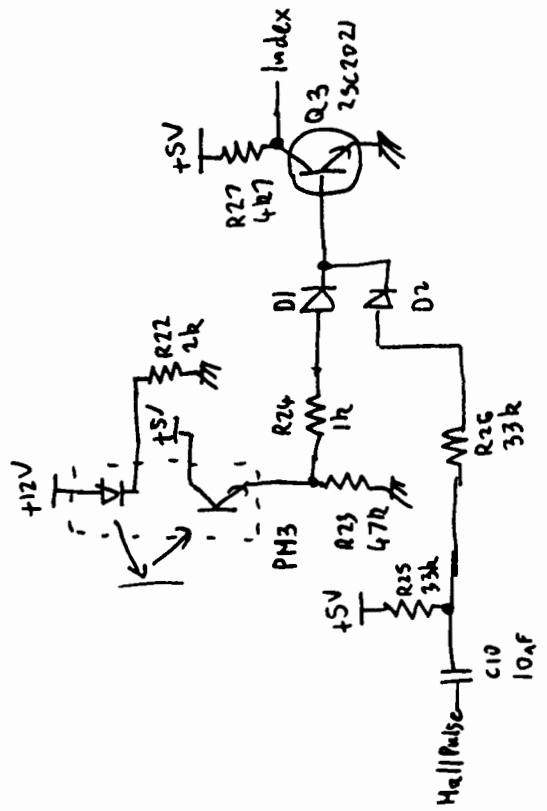
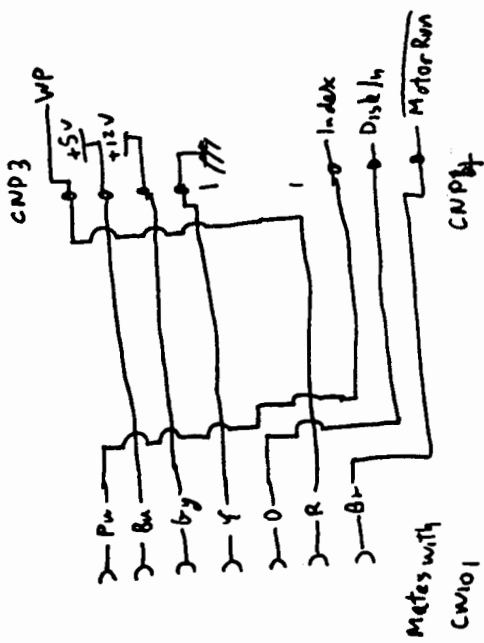


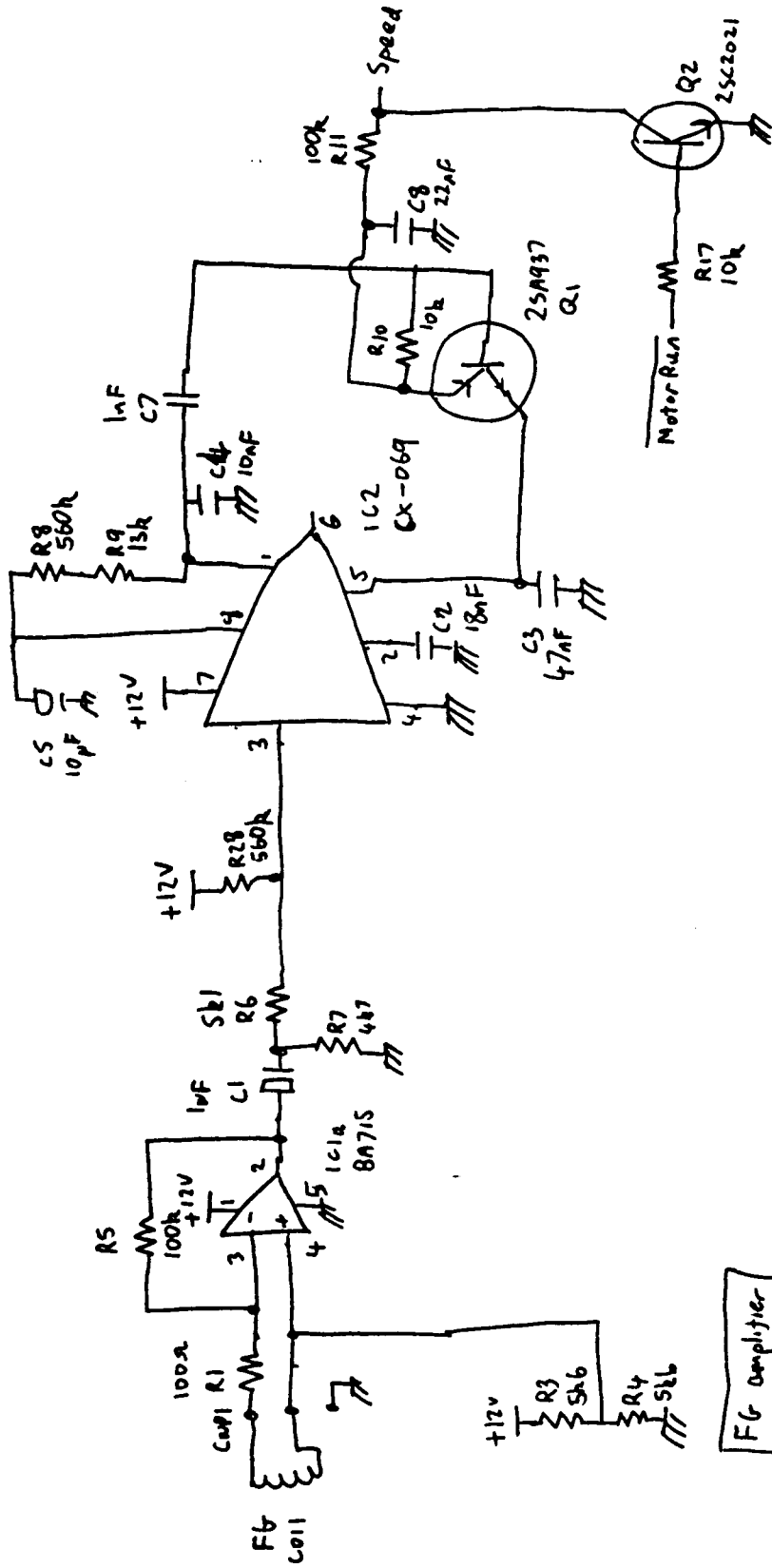
Sony Floppy Drive Logic Board FC16 Sheet (4)





Sensors

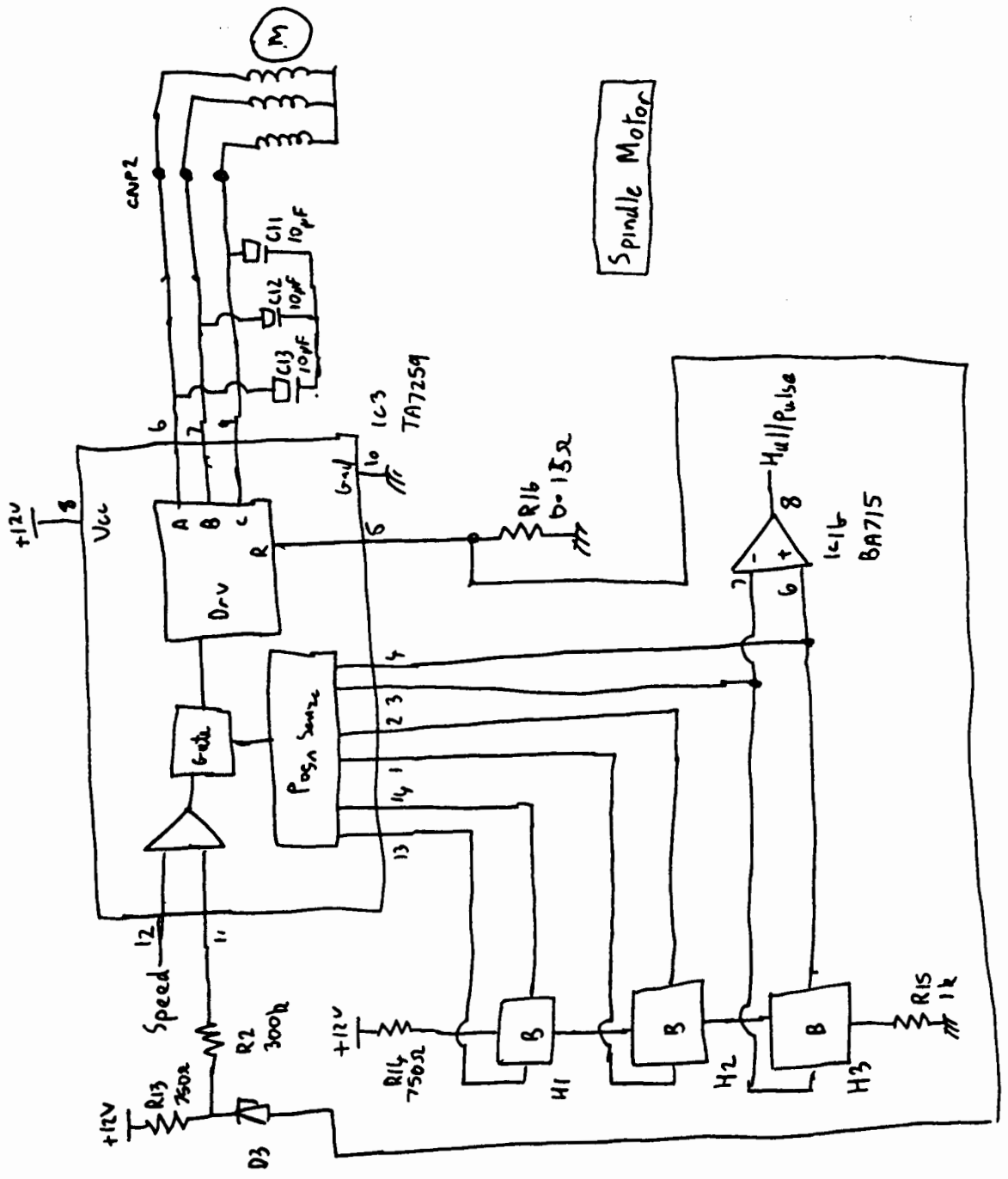




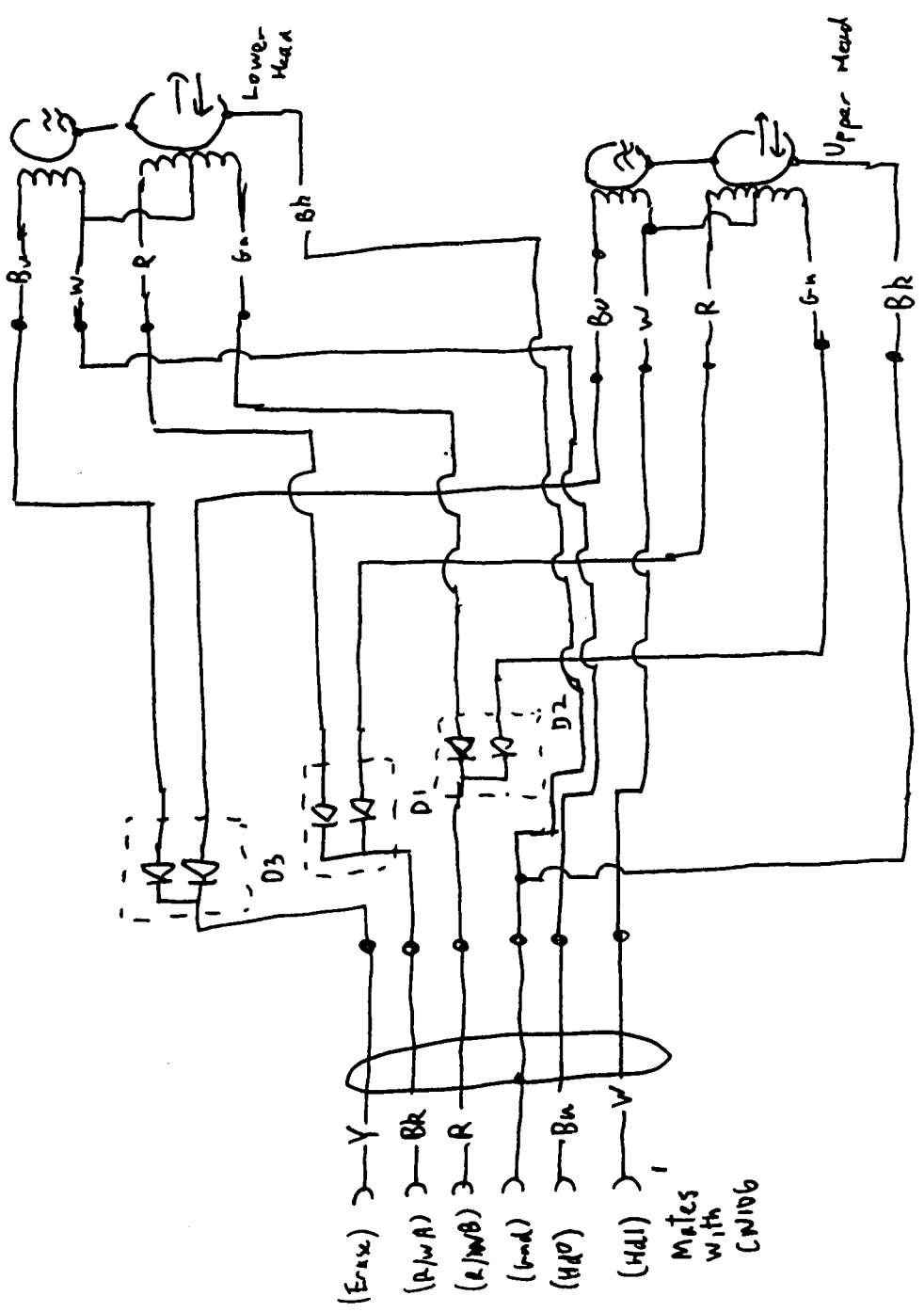
Spindle Speed

FG amplifier

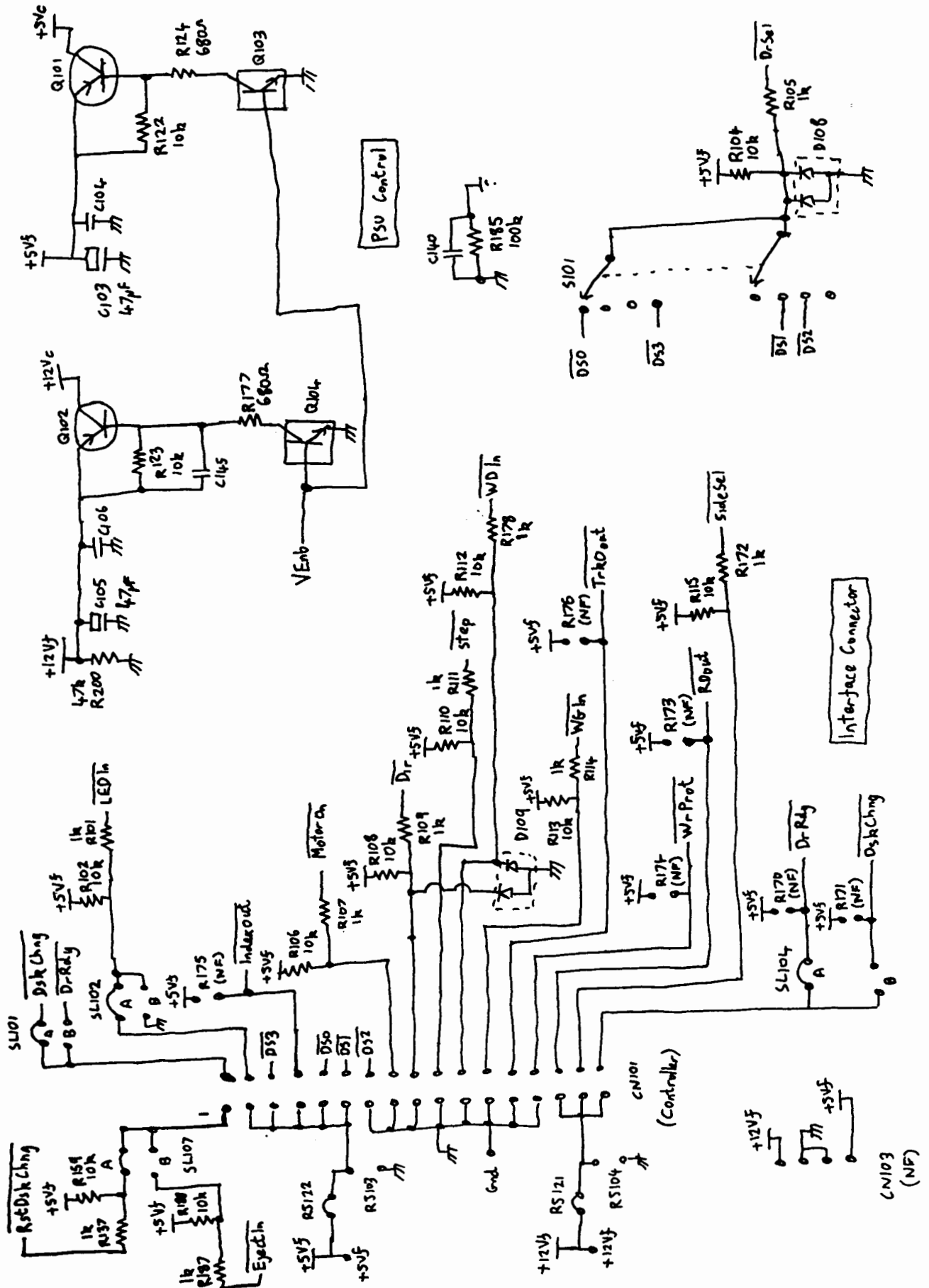
Sony Floppy Drive Spindle Motor sheet 2

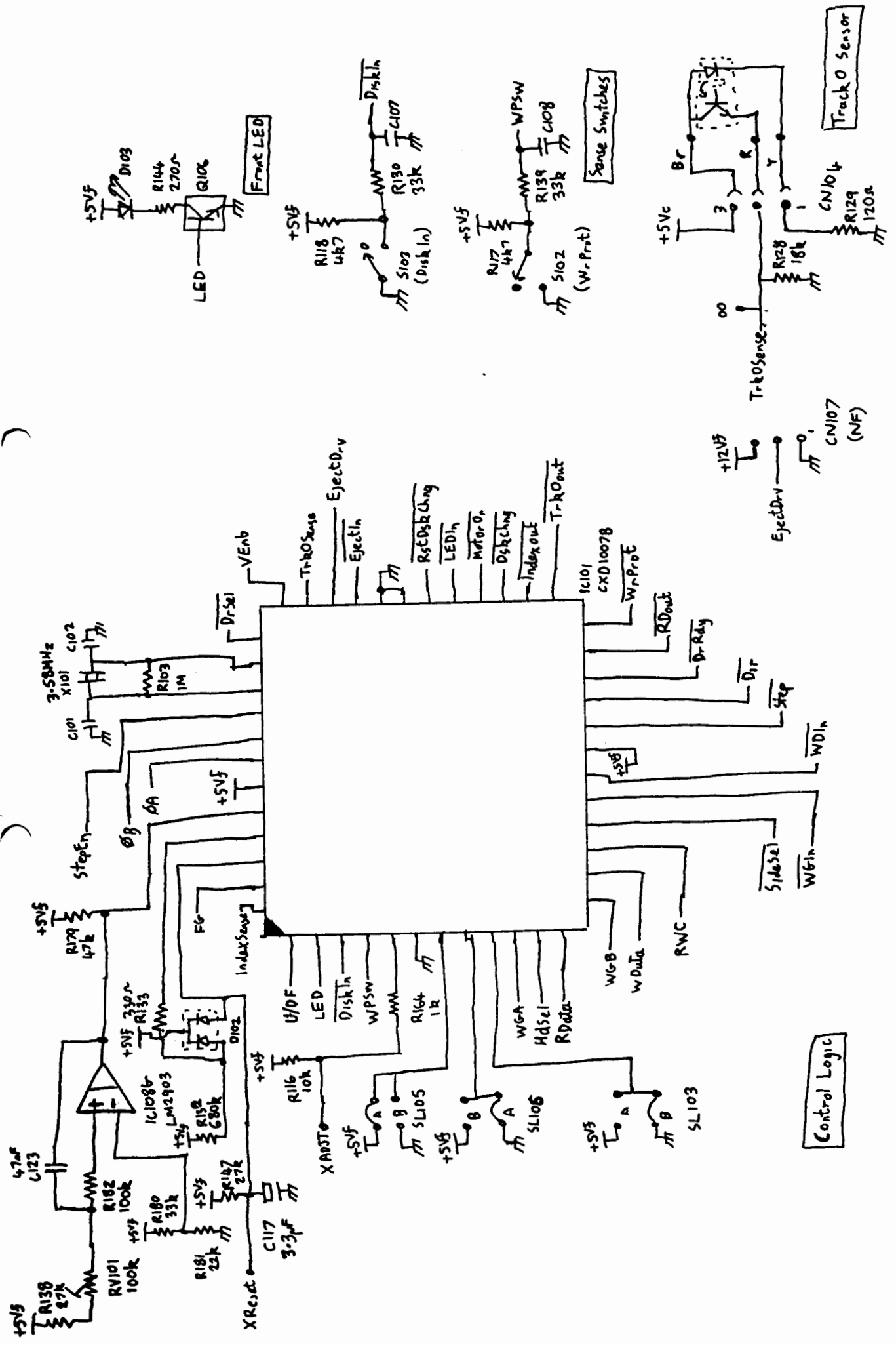


Sony Floppy Drive Spindle Motor Sheet ③

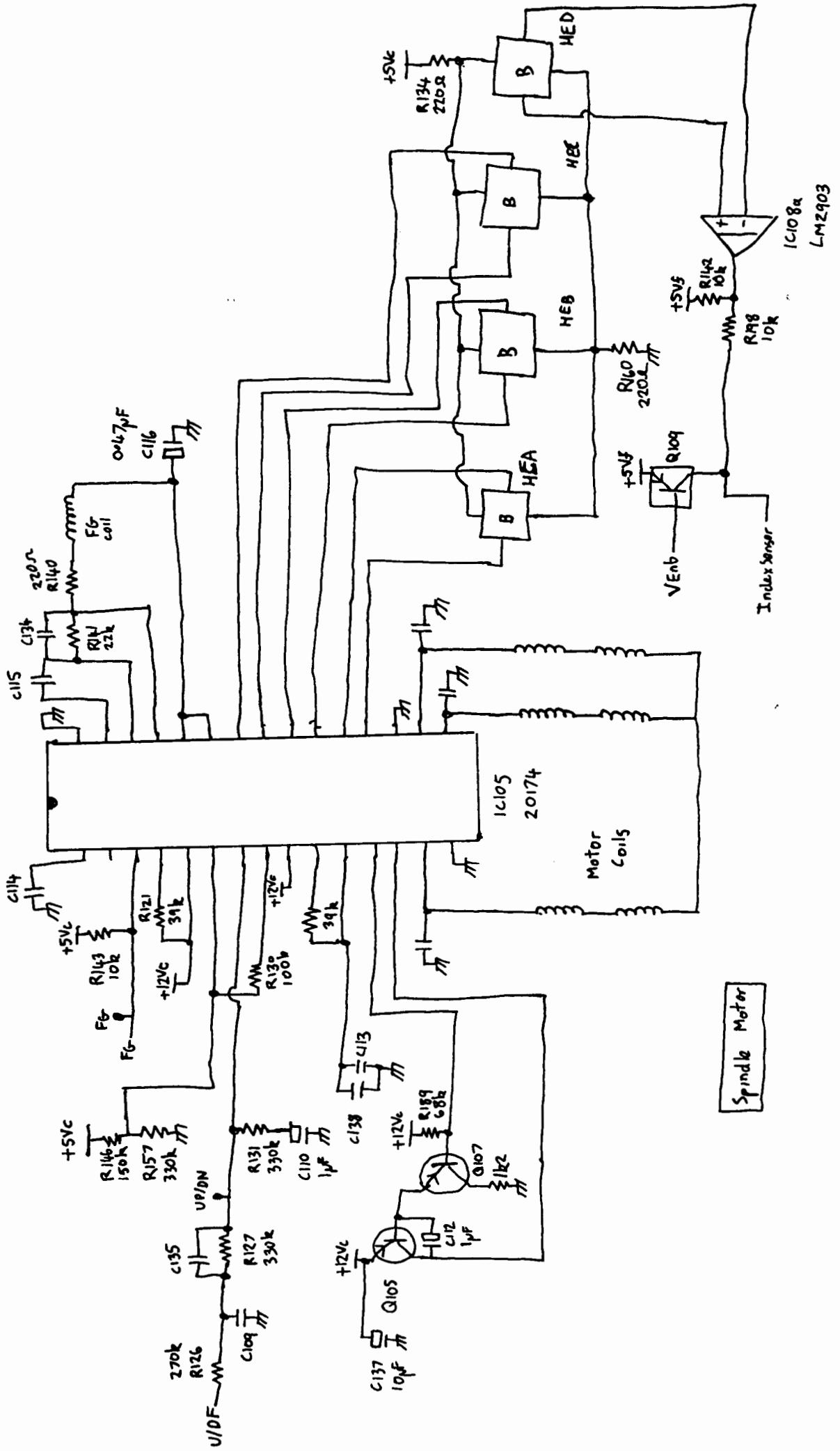


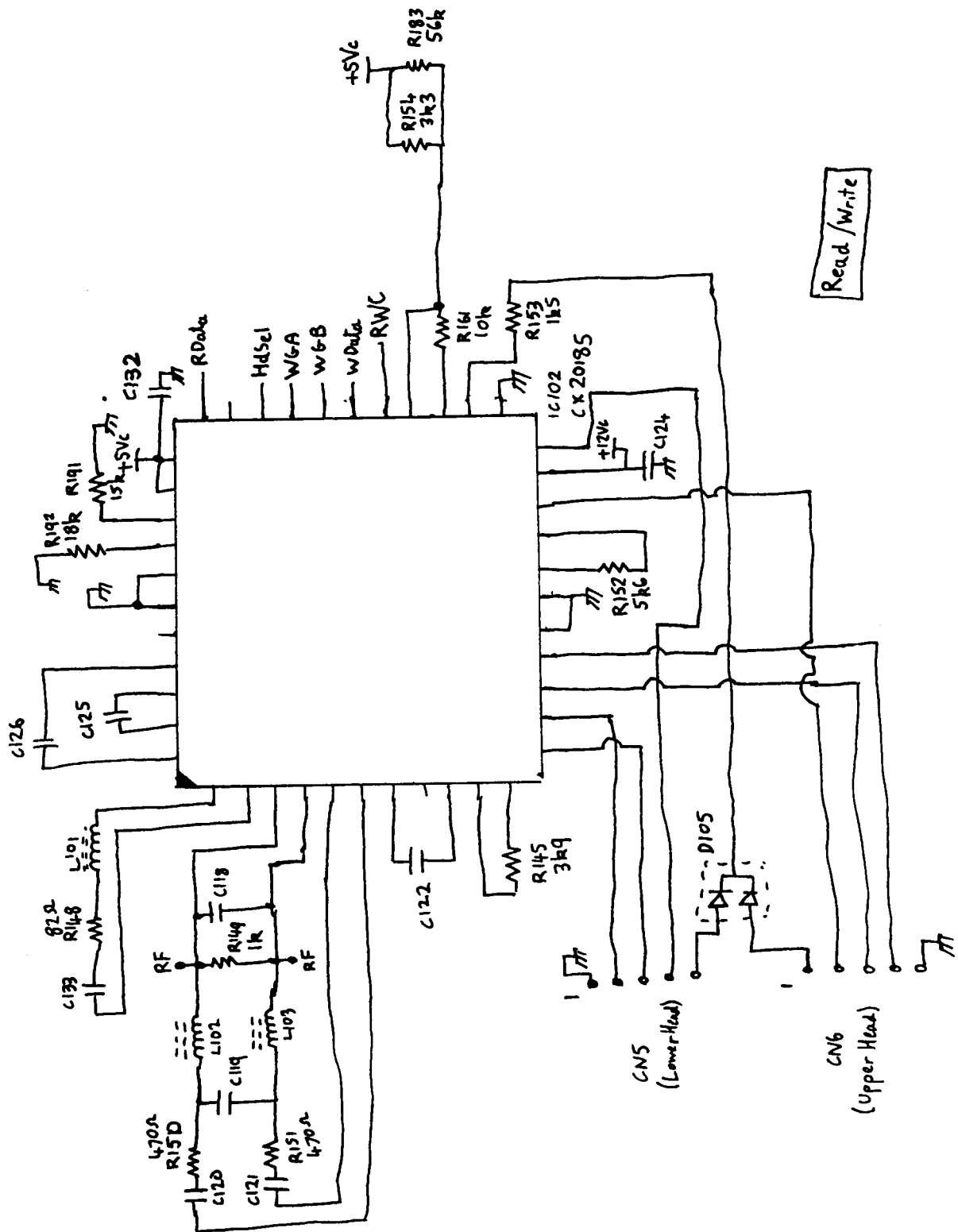
Sony Floppy Drive Double-Sided Head



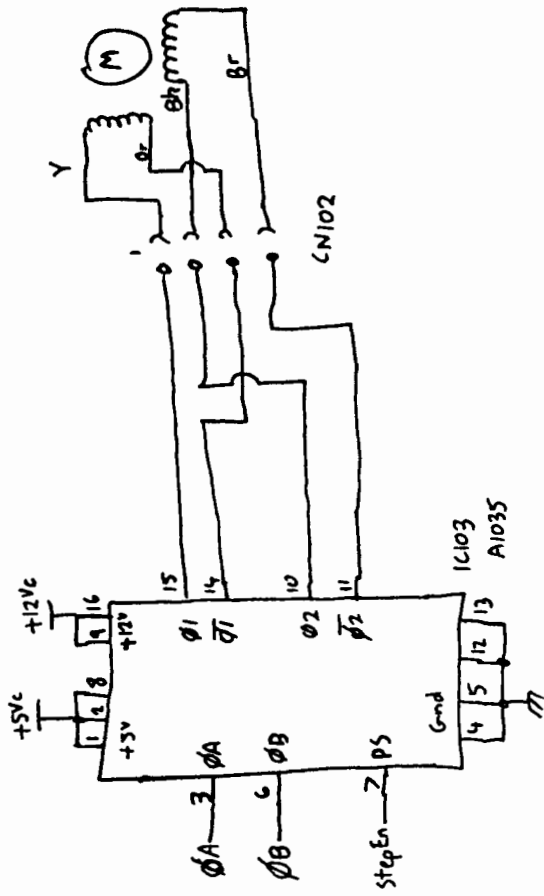


MP-F52W-50 Disk Drive Sled 2 (FC26 PCB)









Head stepper