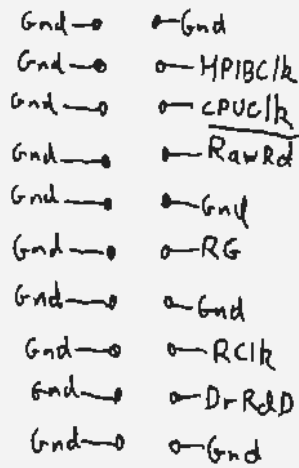
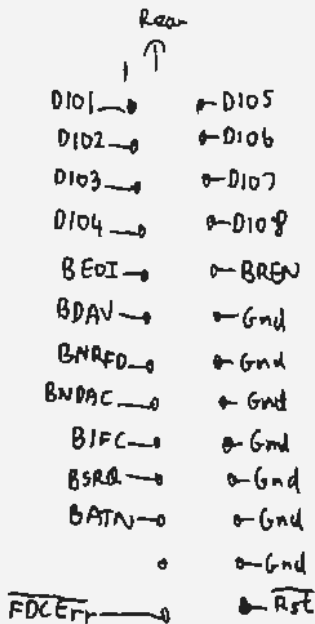
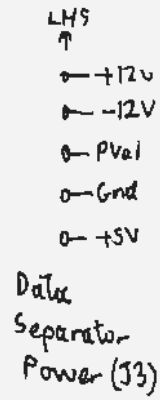
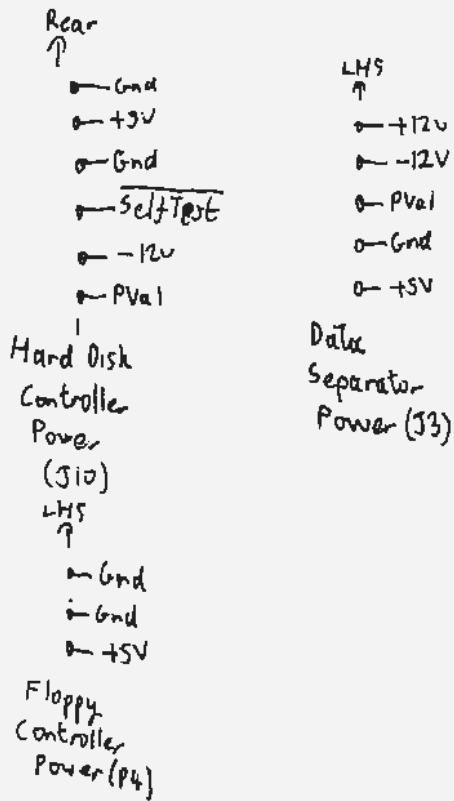
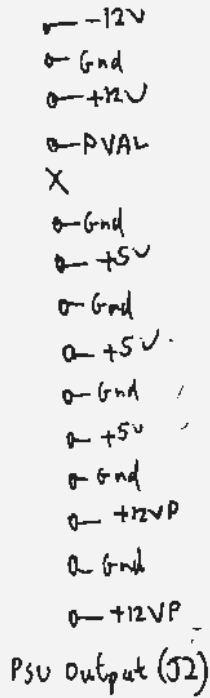


HP9133V /XV Connection Diagram

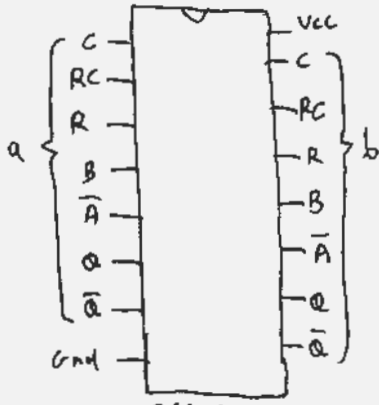
HP9133V/XV



Hard Disk Controller (J7)
→ Floppy Disk Controller (P3)

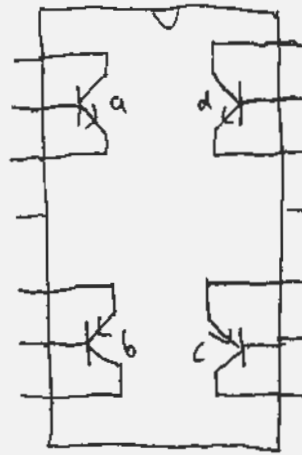
Floppy Disk Controller (P1)
→ Data Separator (P1)

HP9133V/xV



26502

Dual Retriggerable
Monostable

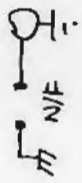
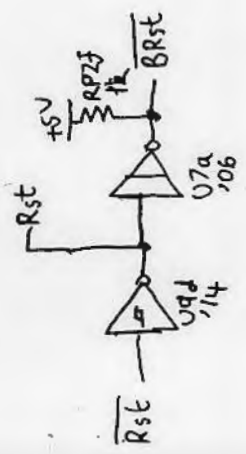
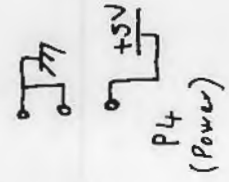


MPQ 6706

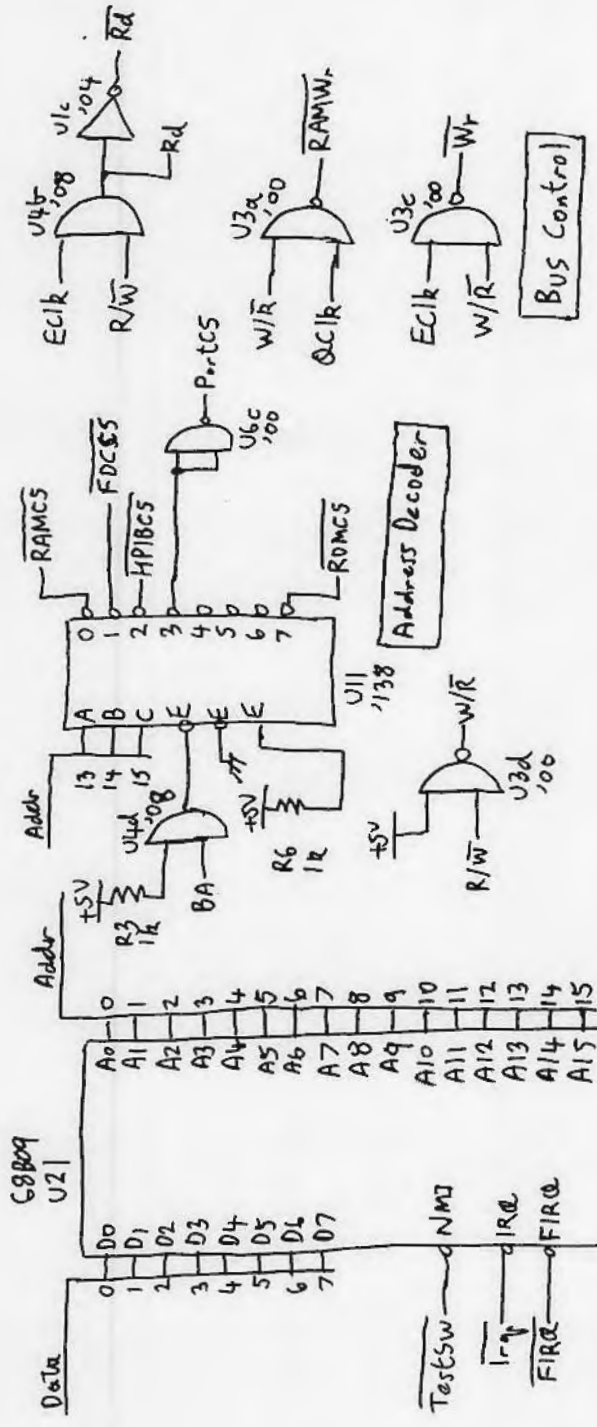
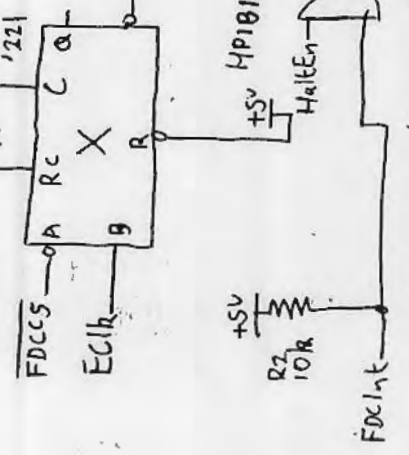
NPN ~ 2N3904

PNP ~ 2N3906

↑ L45

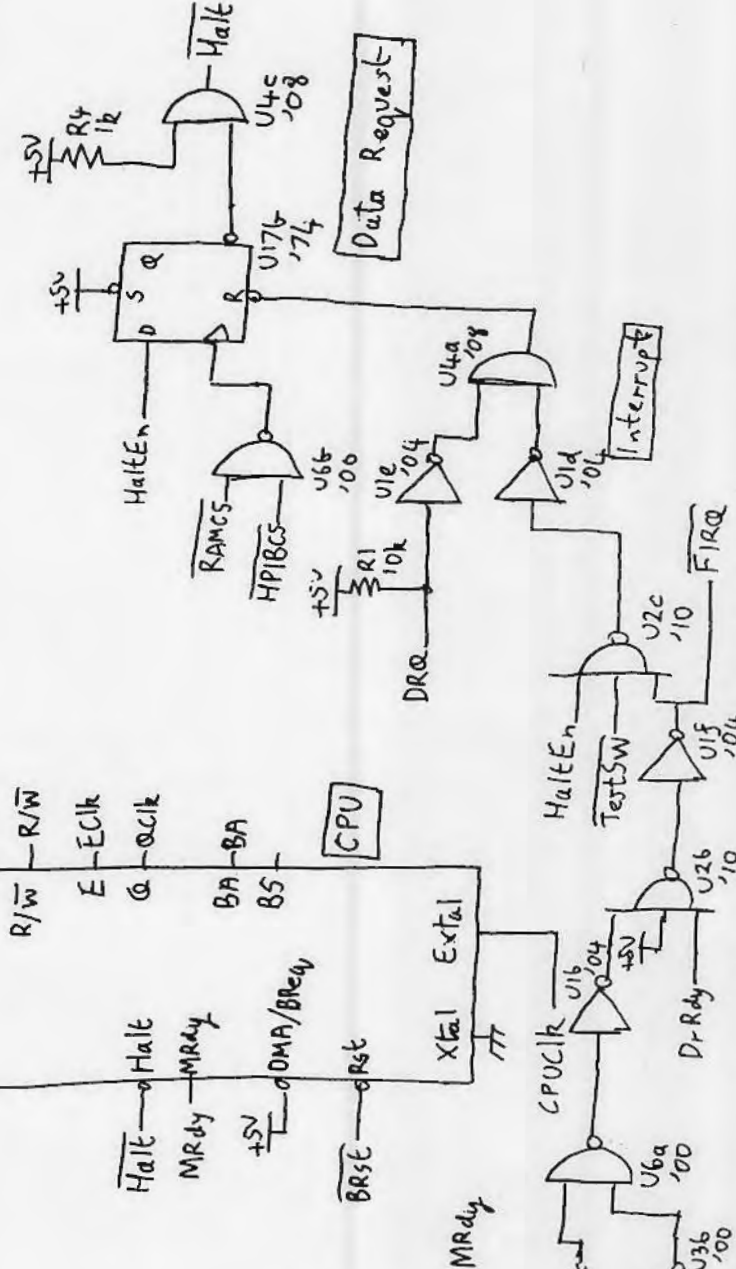


MRdy



BUS Control

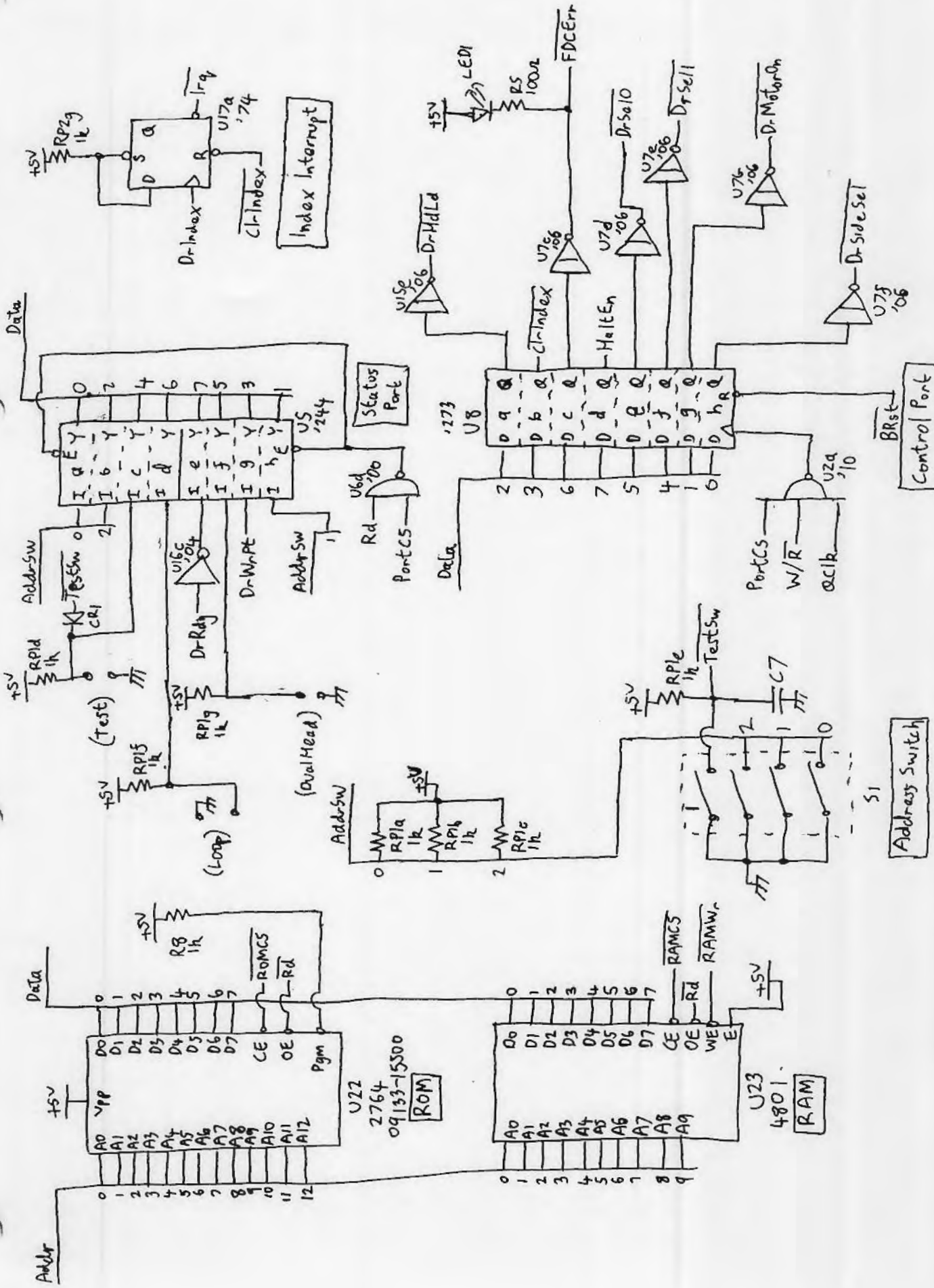
Address Decoder

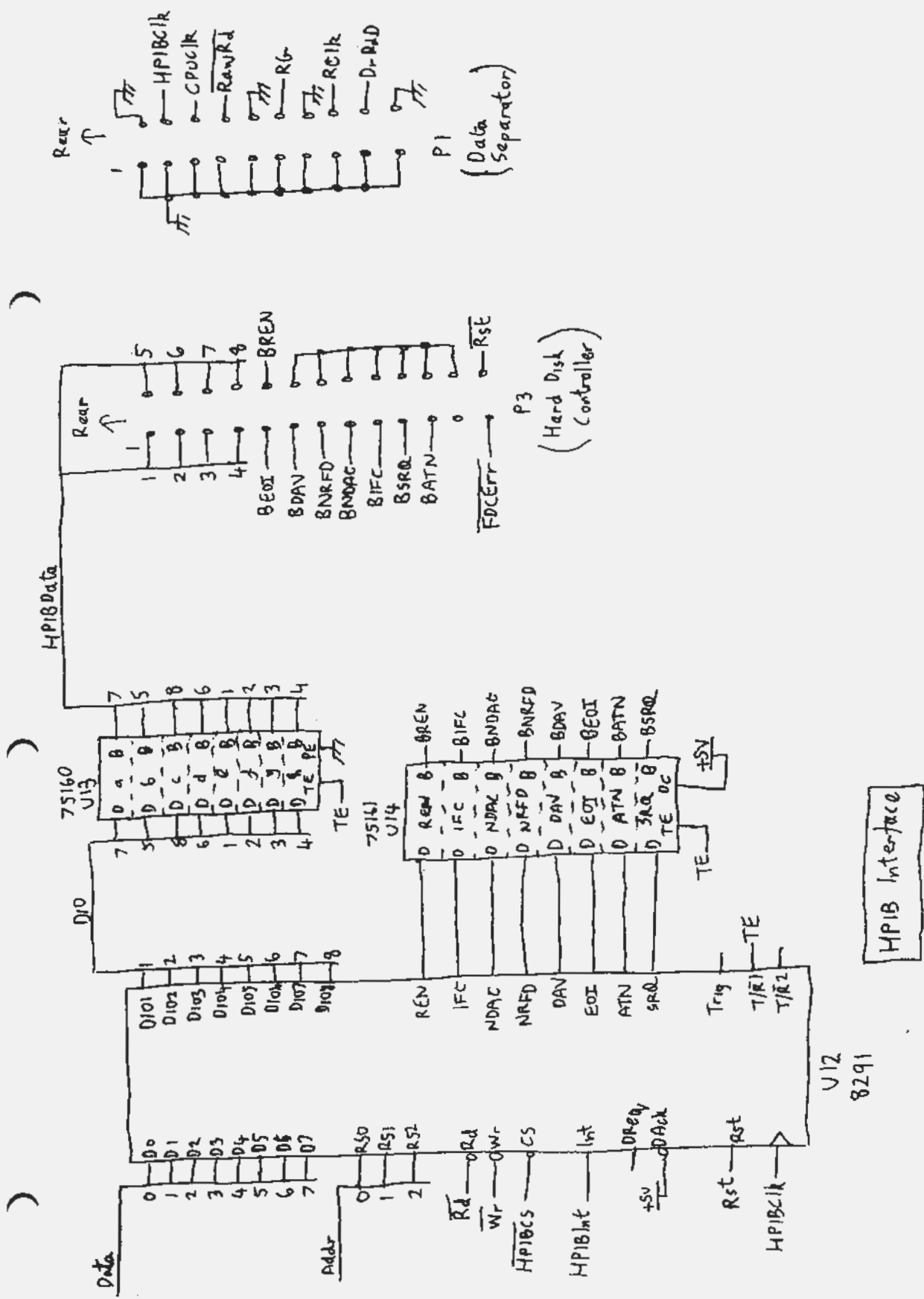


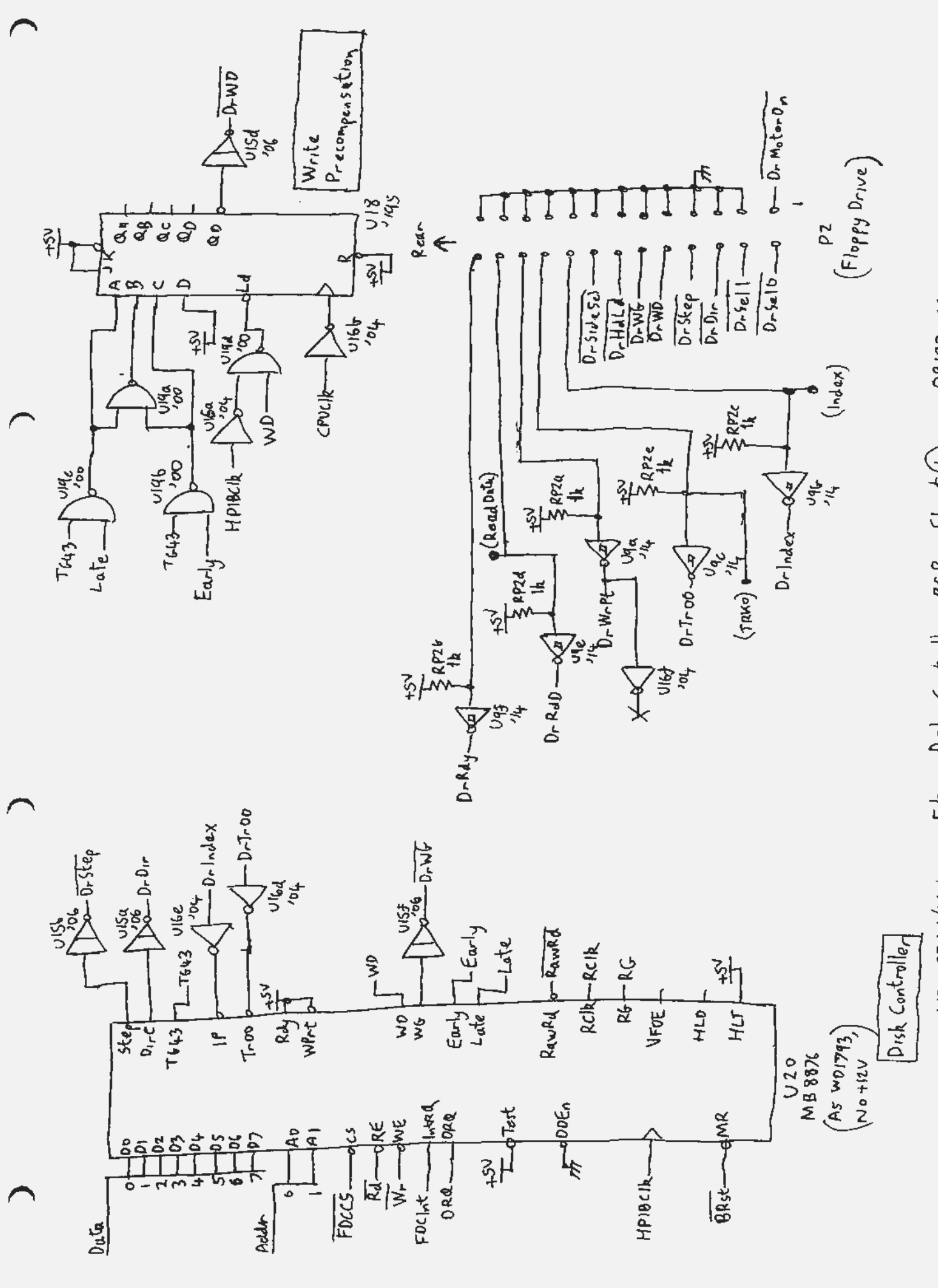
CPU

Data Request

Interrupt

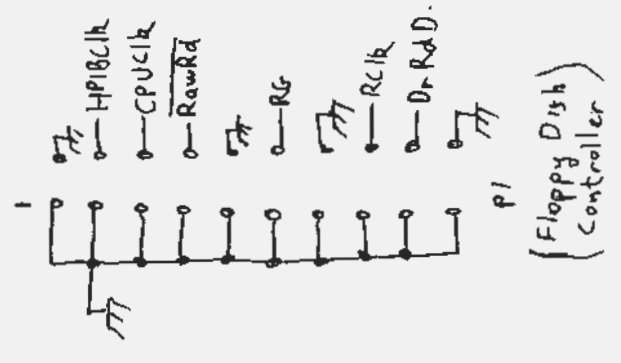
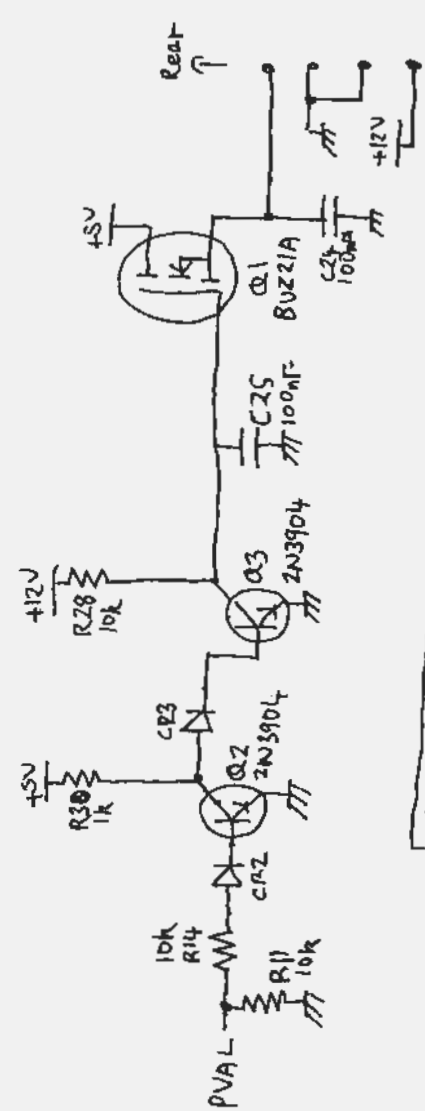
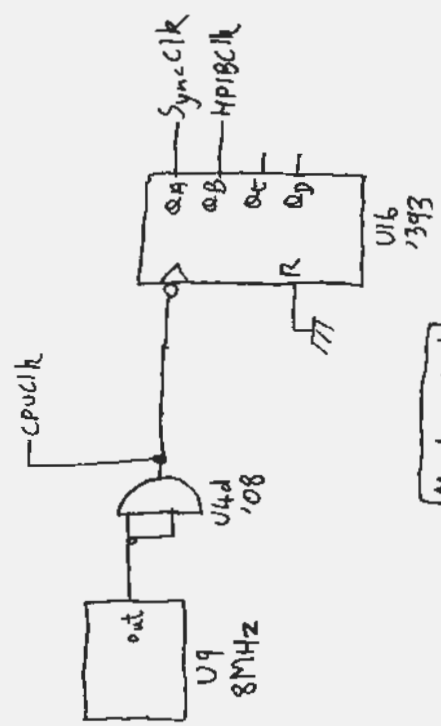
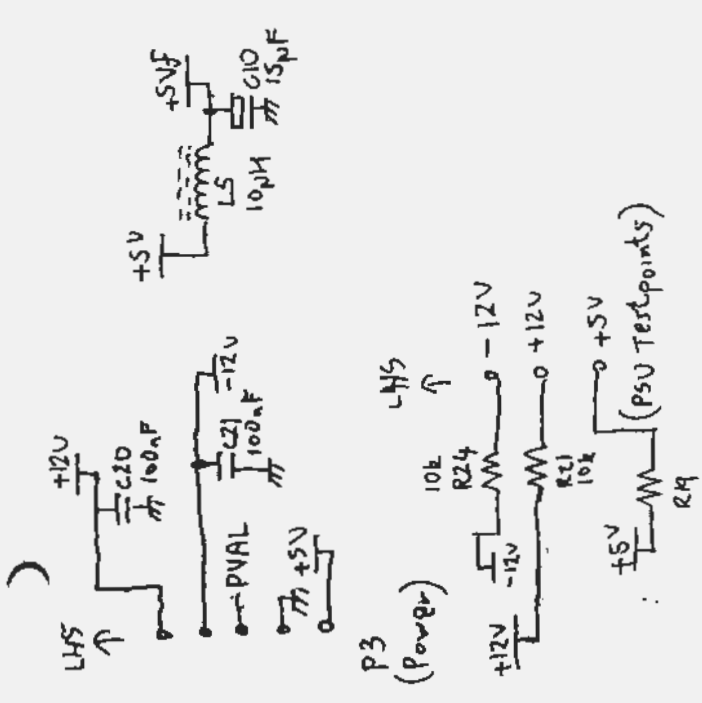


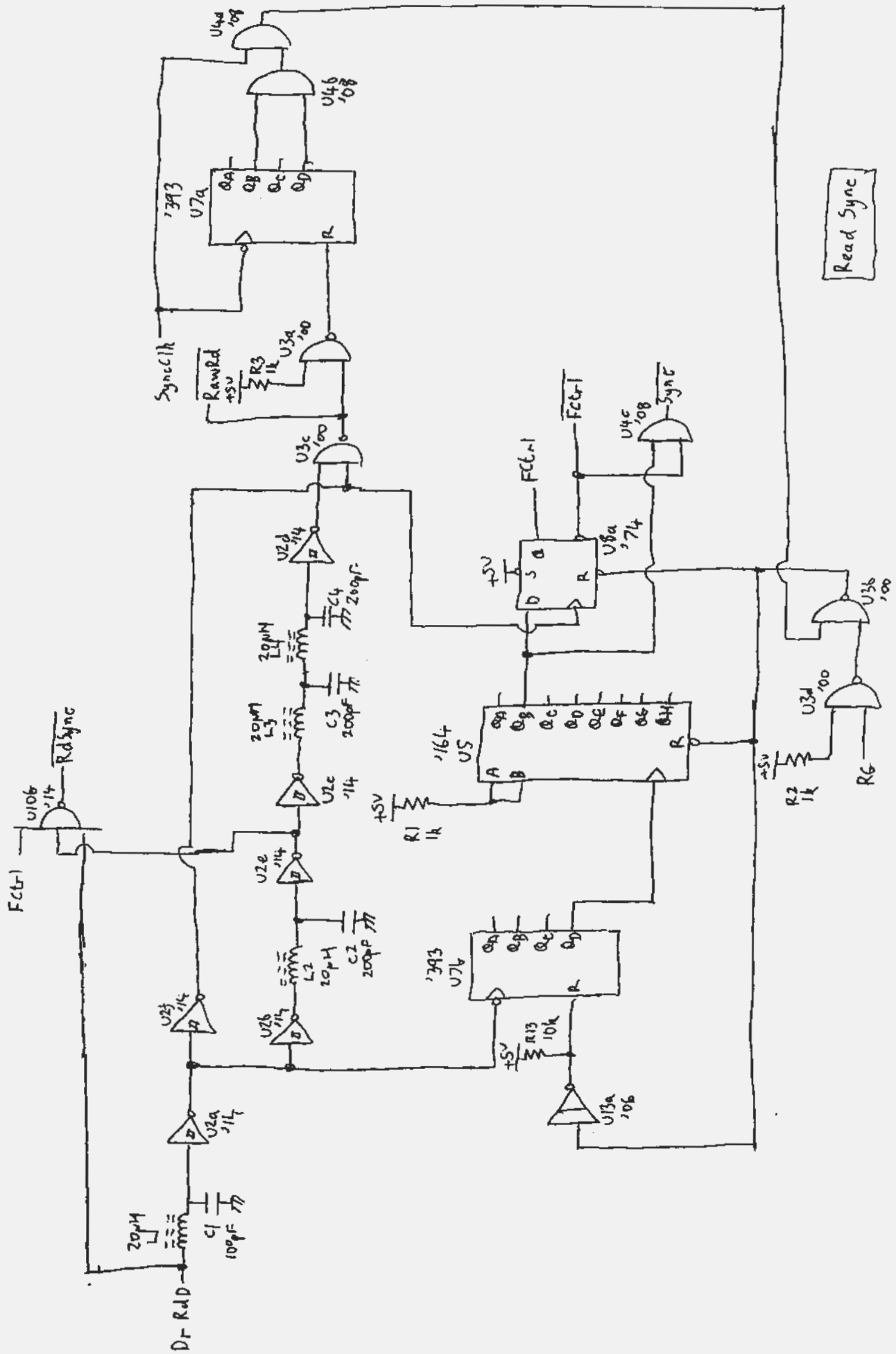


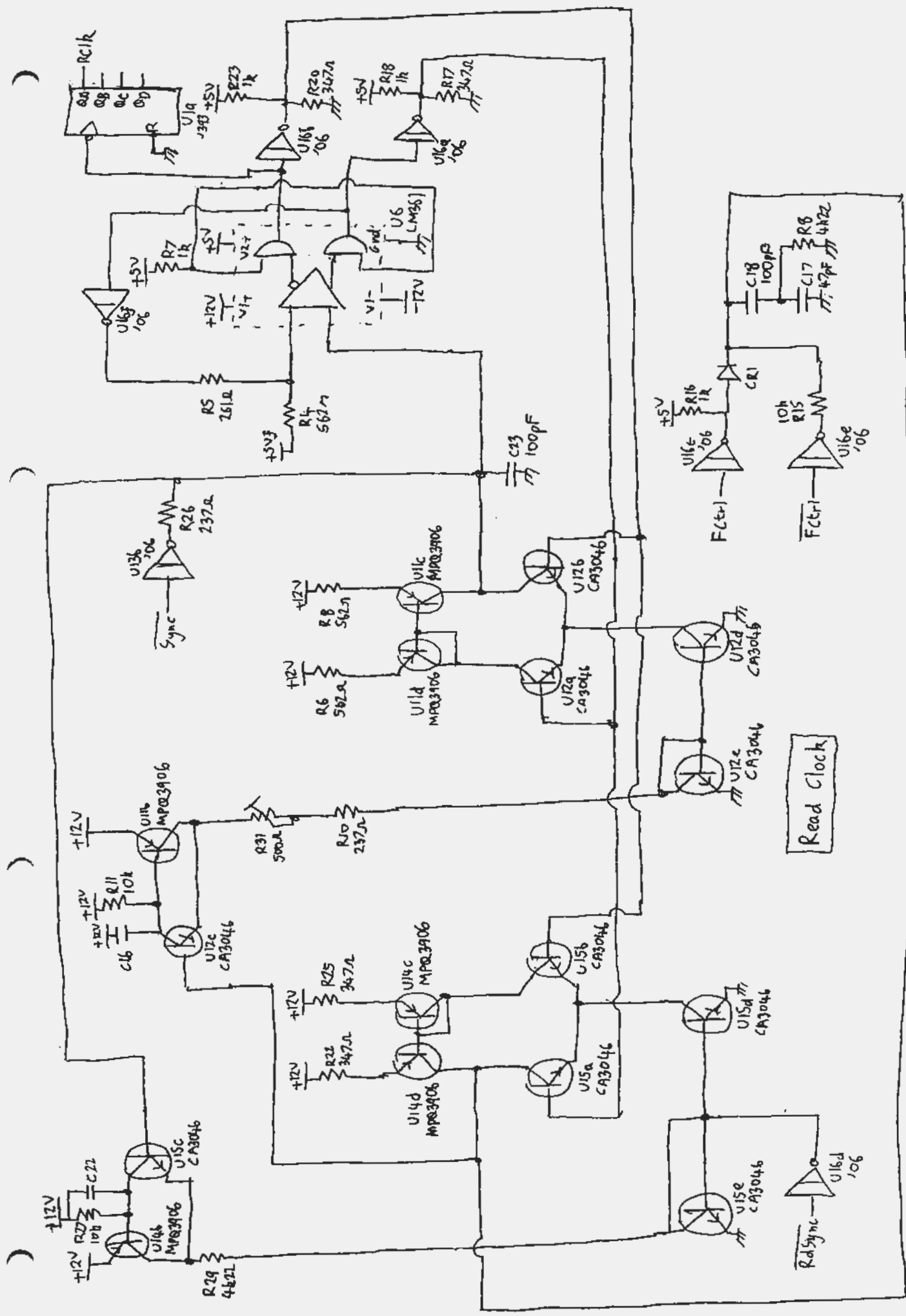


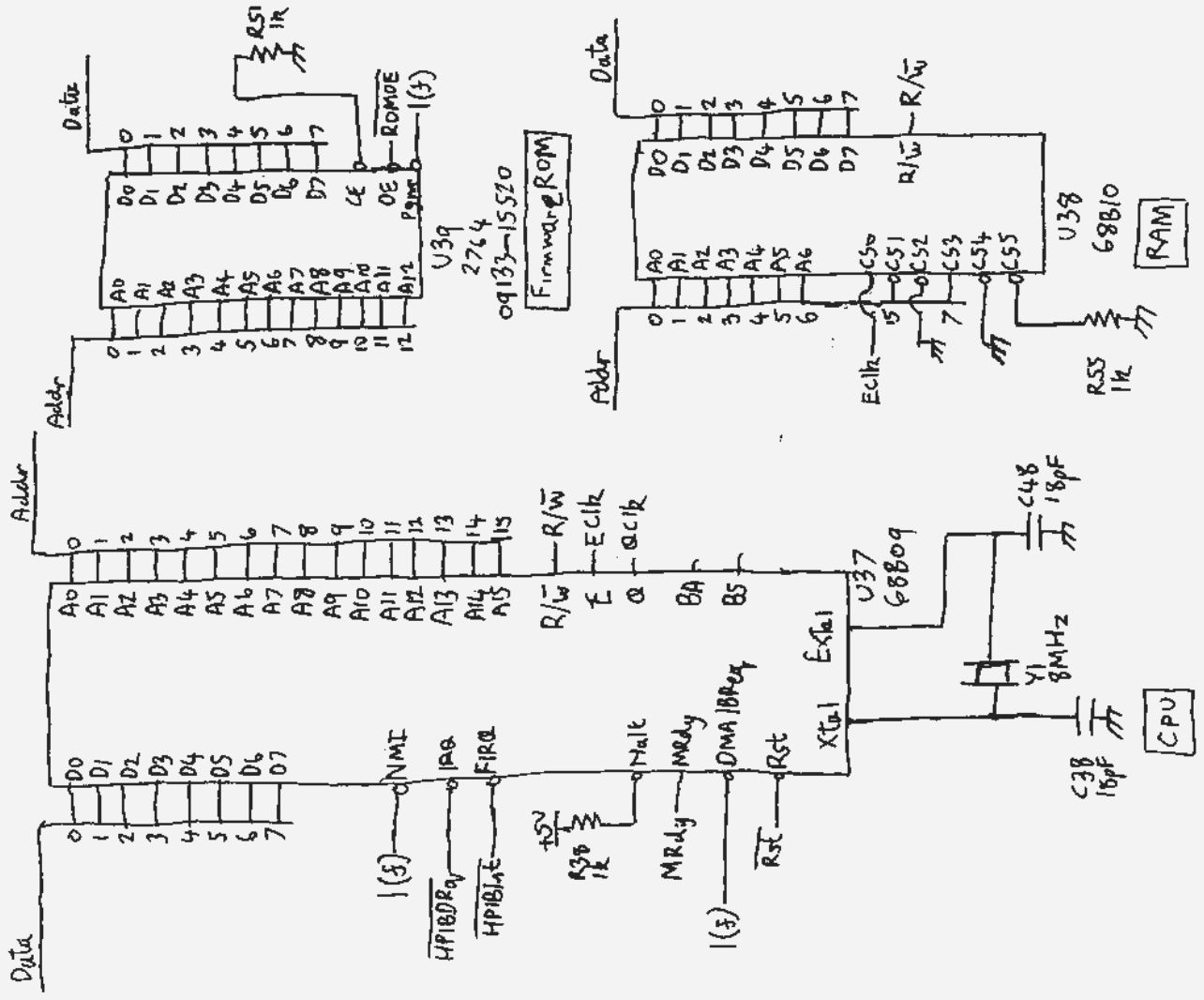
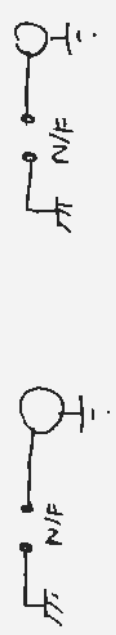
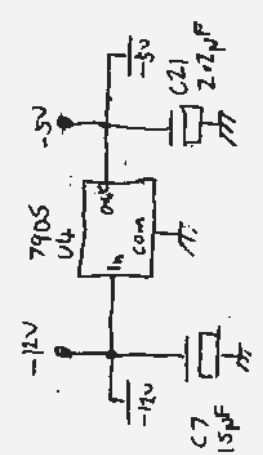
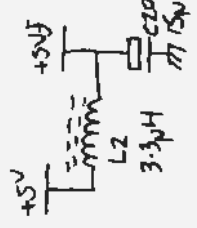
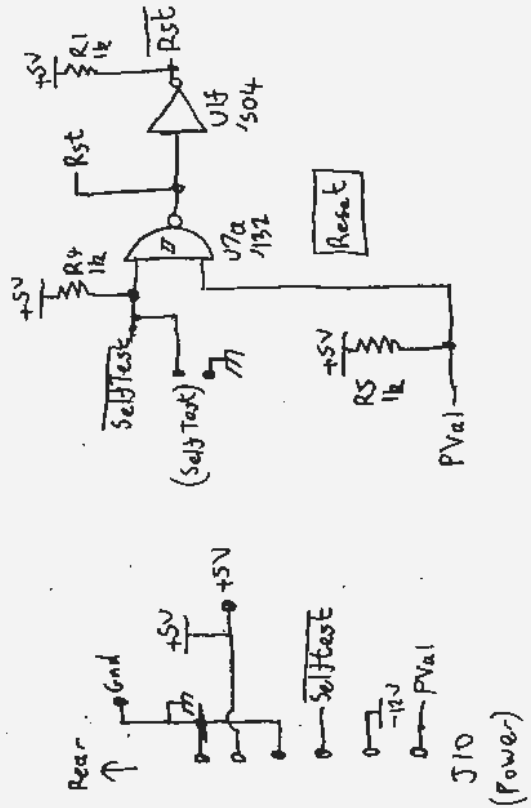
Disk Controller

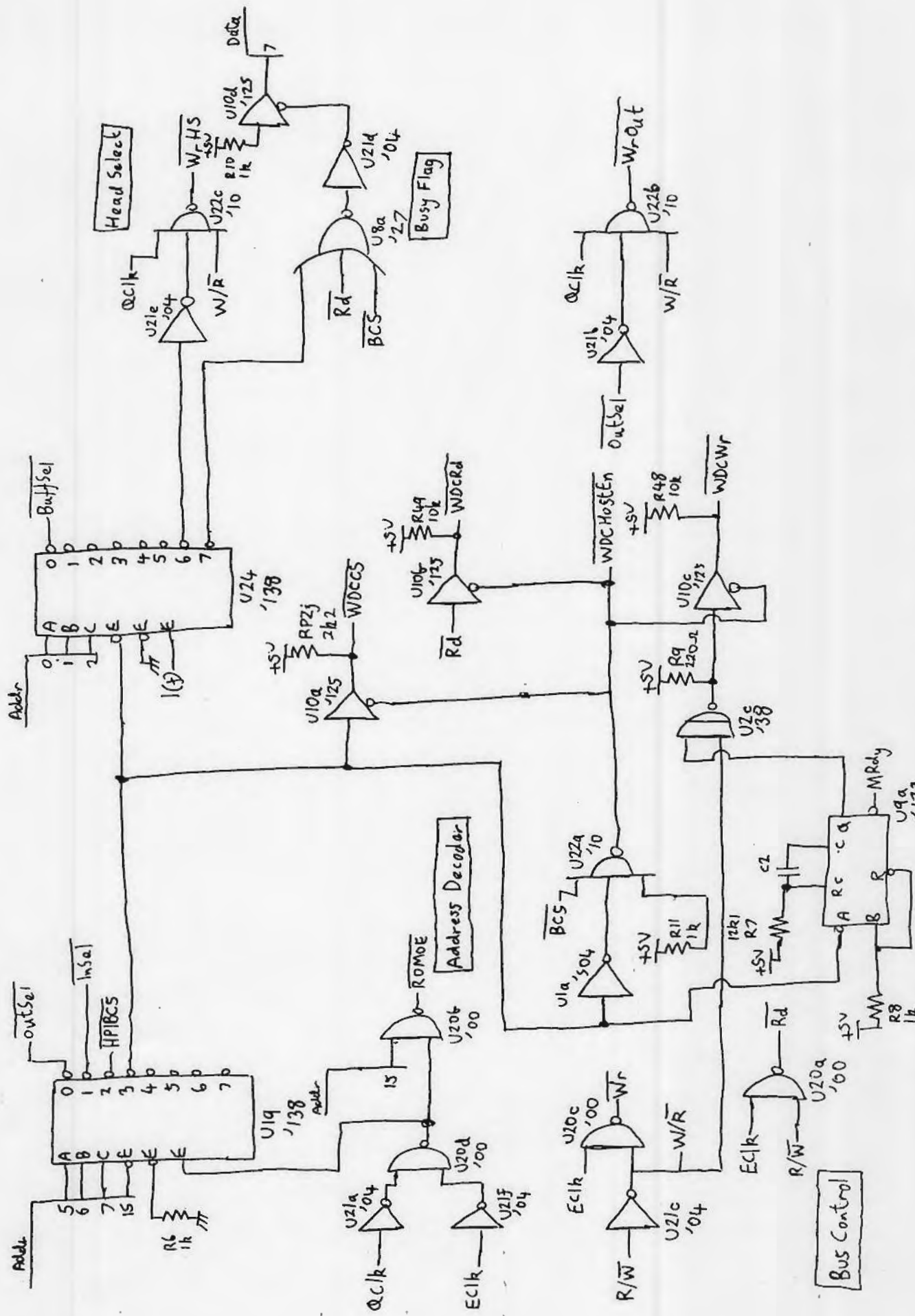
U20
MB8876
(As WD1793,
No +12V)

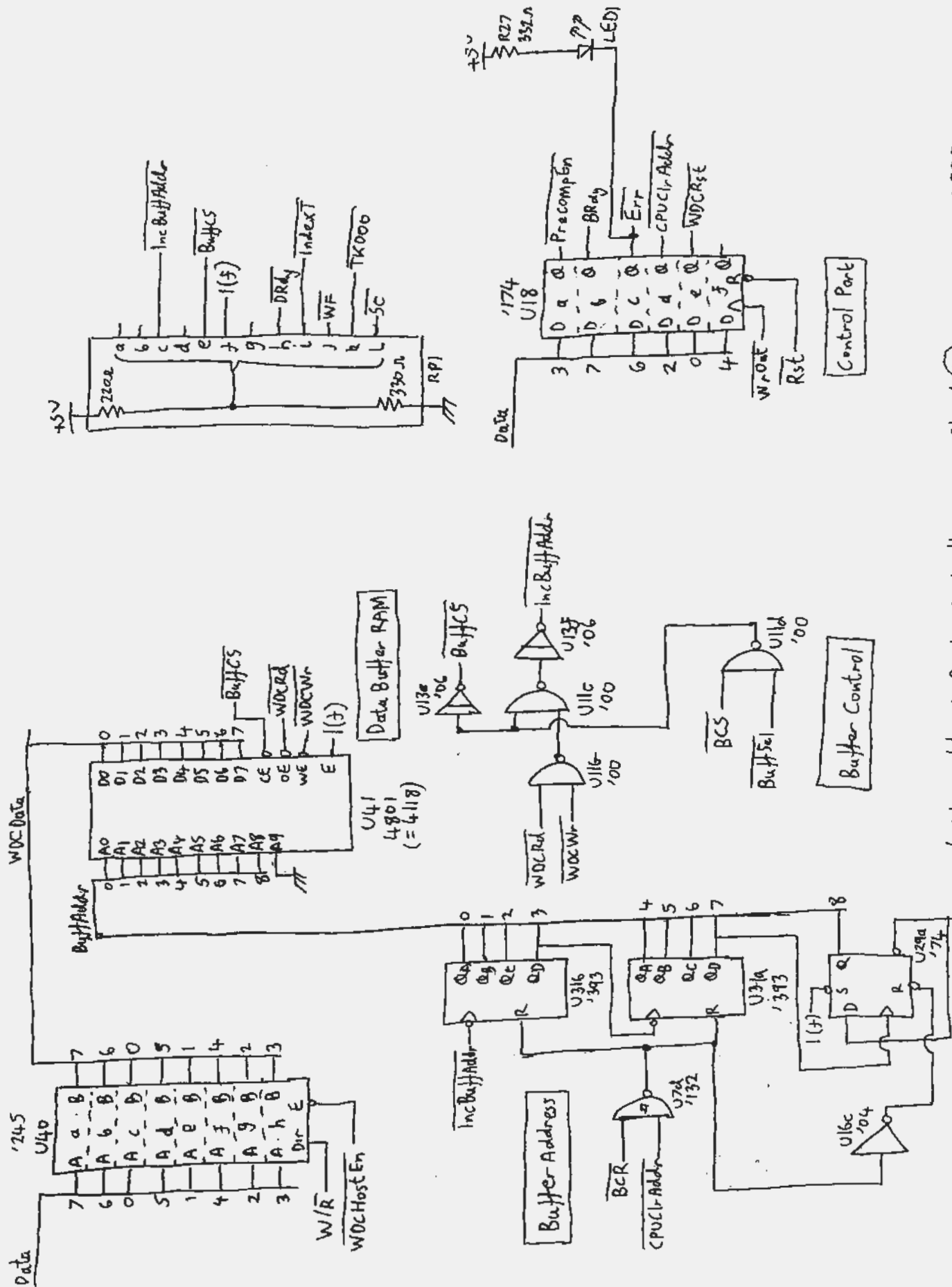


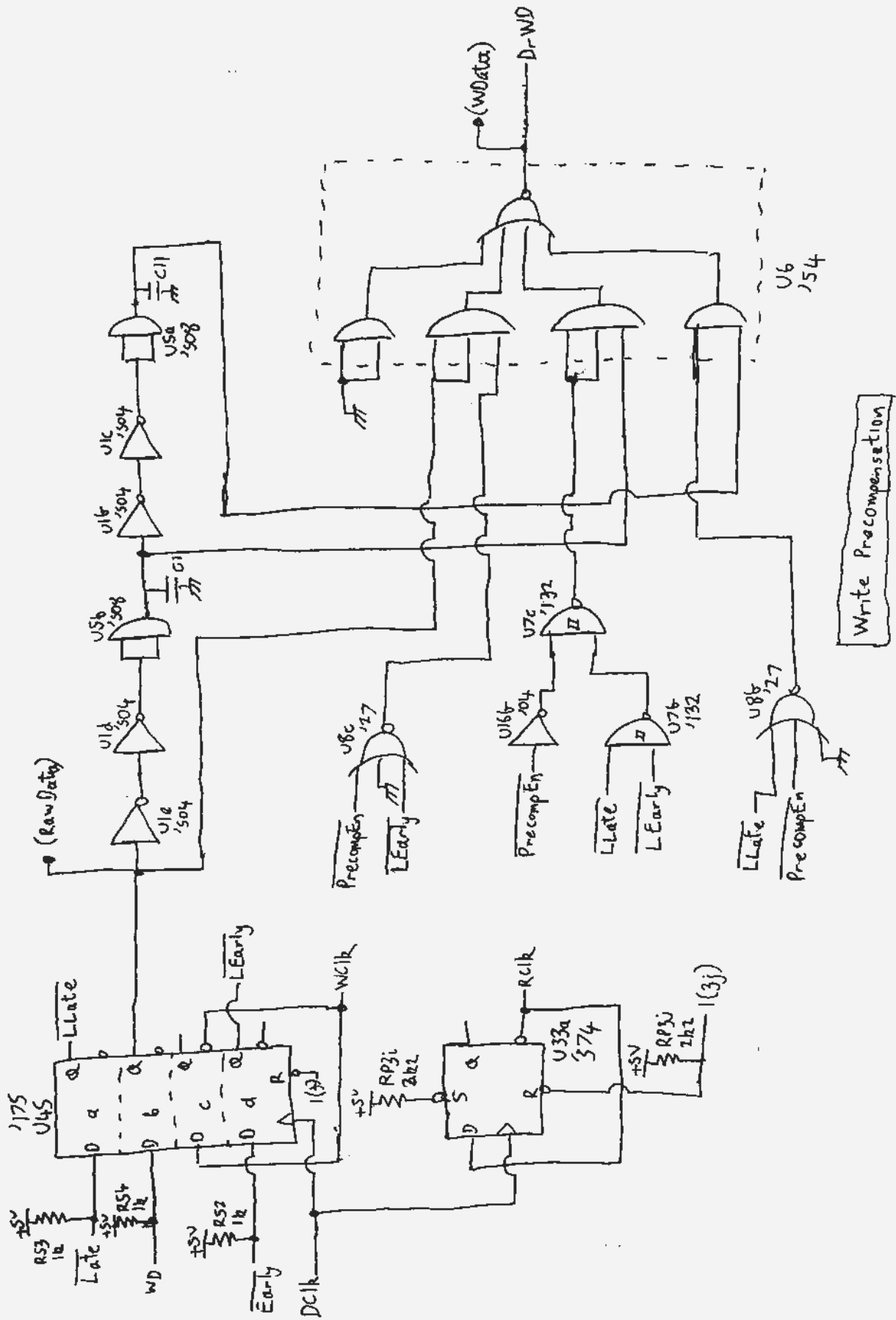


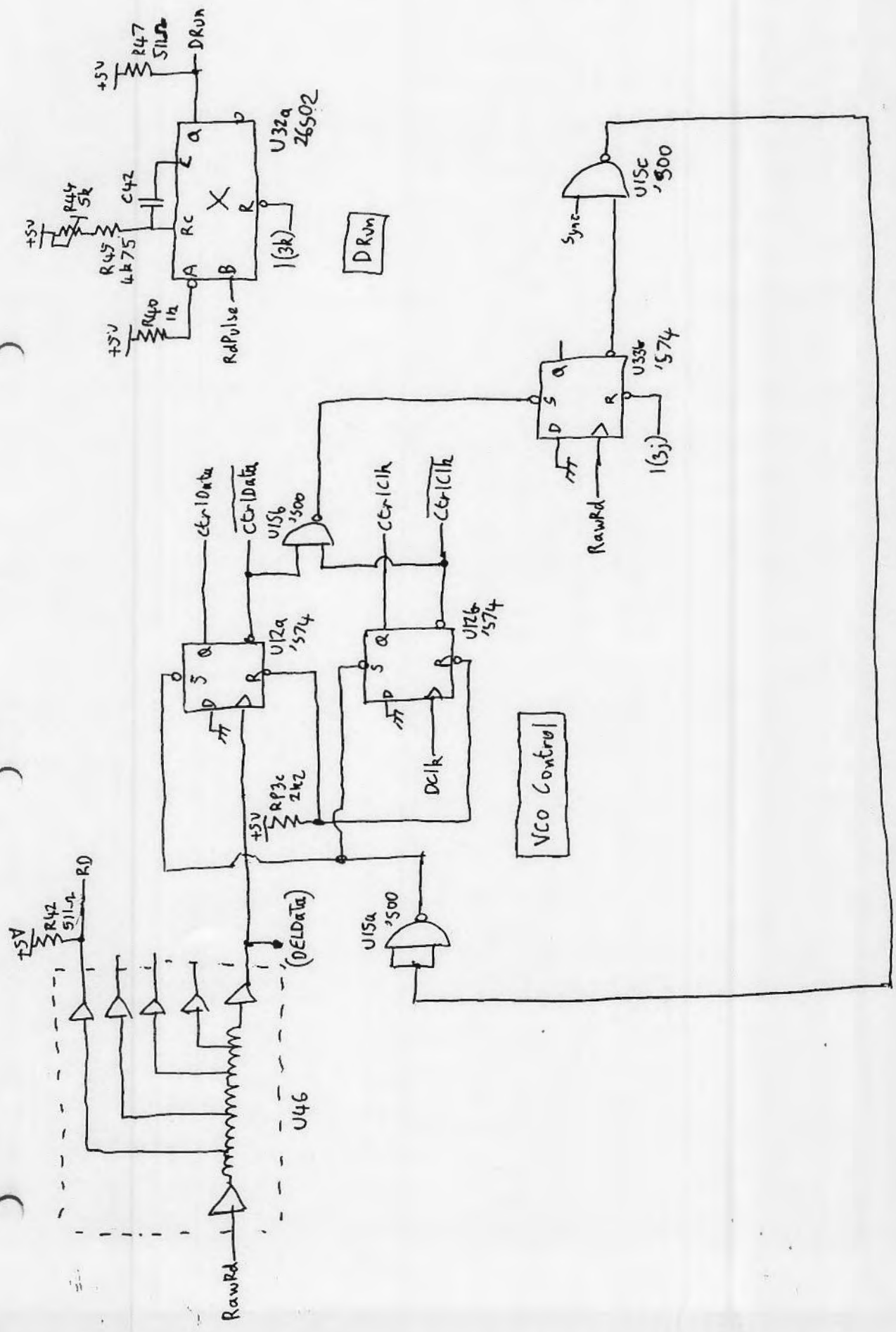


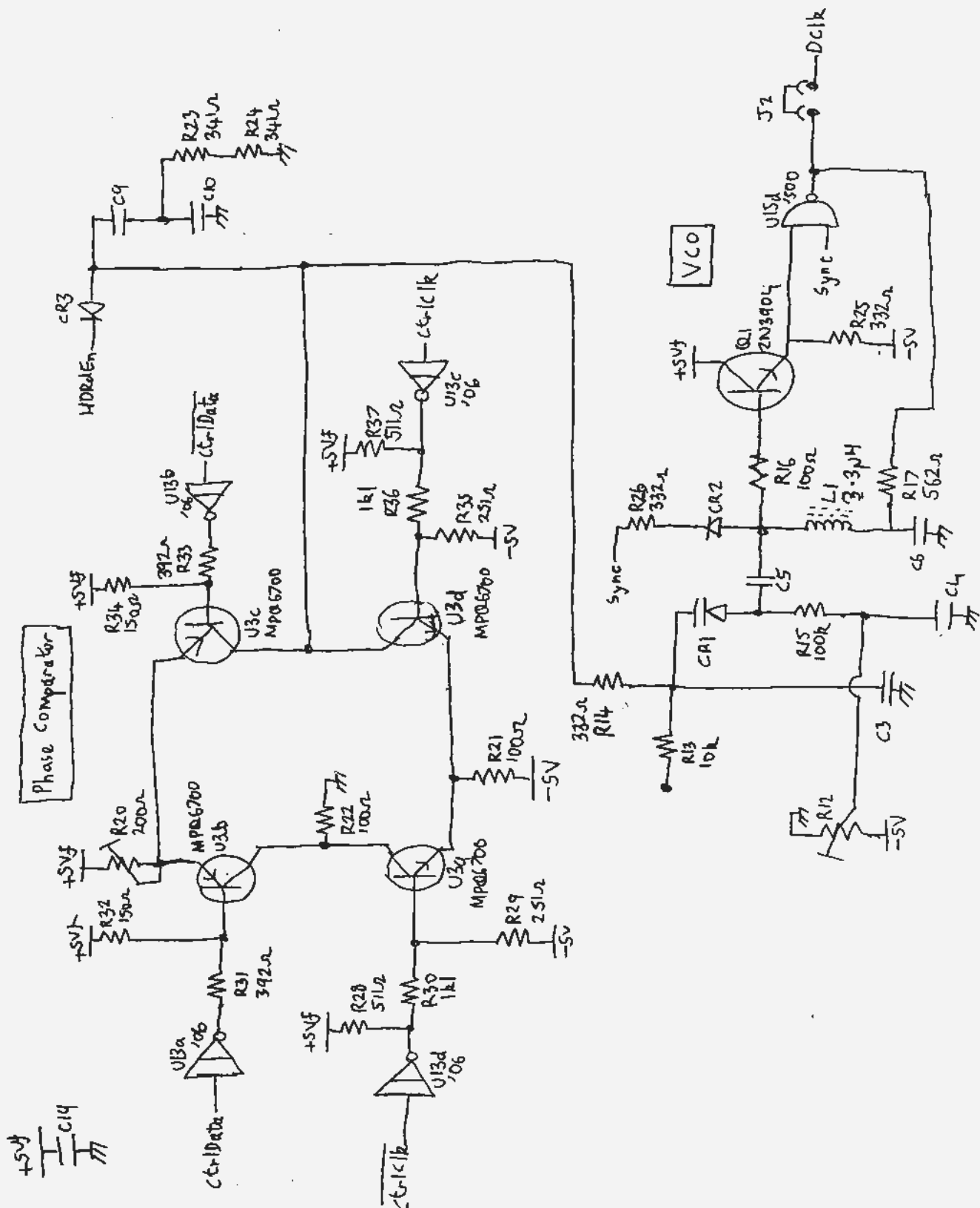


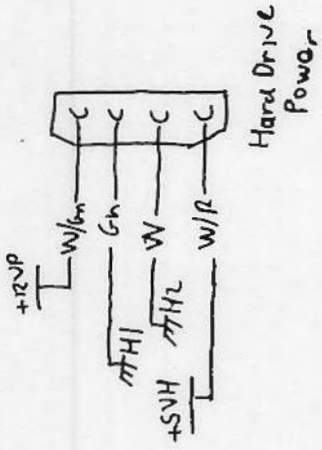
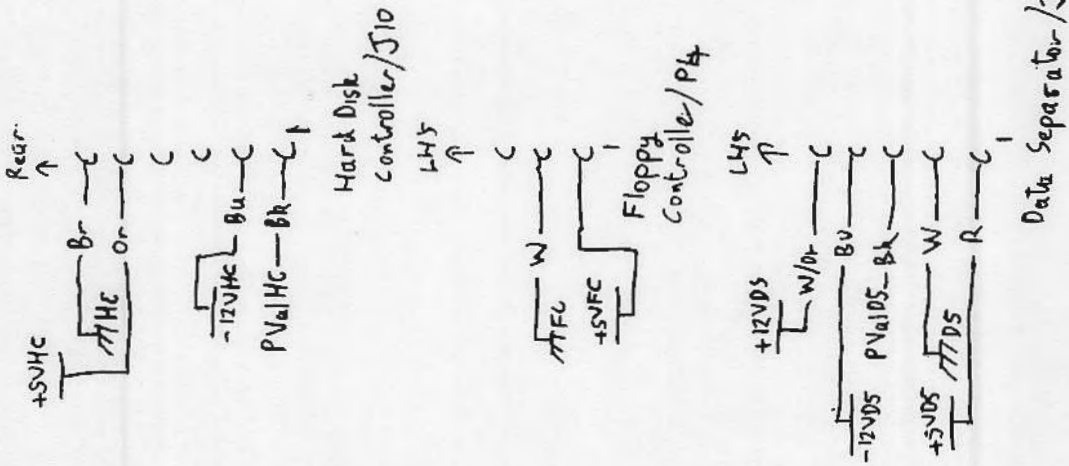
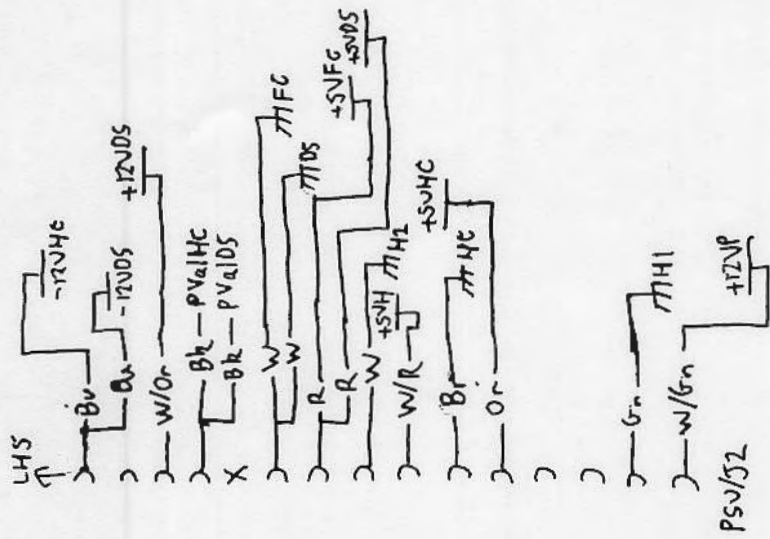




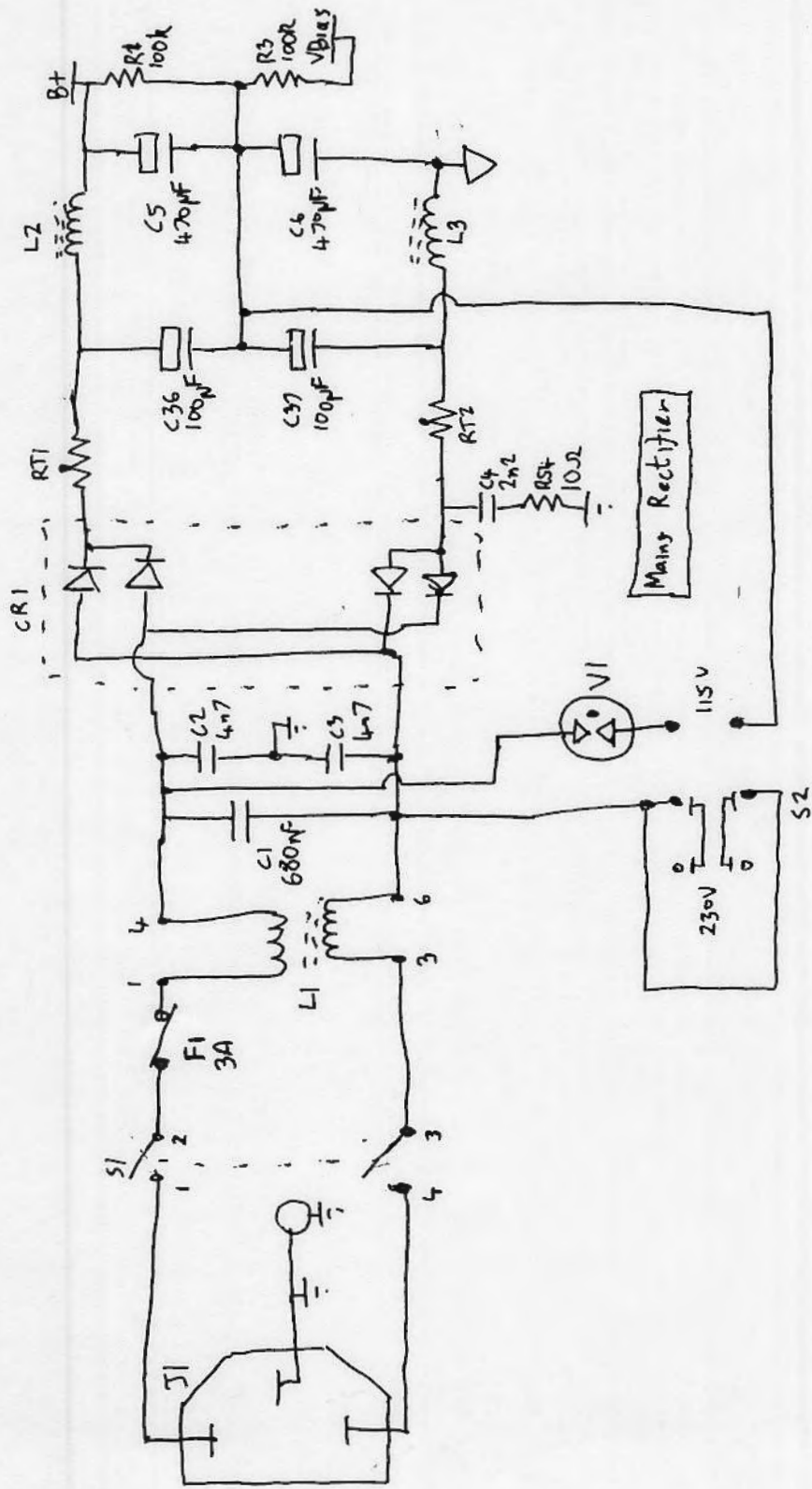




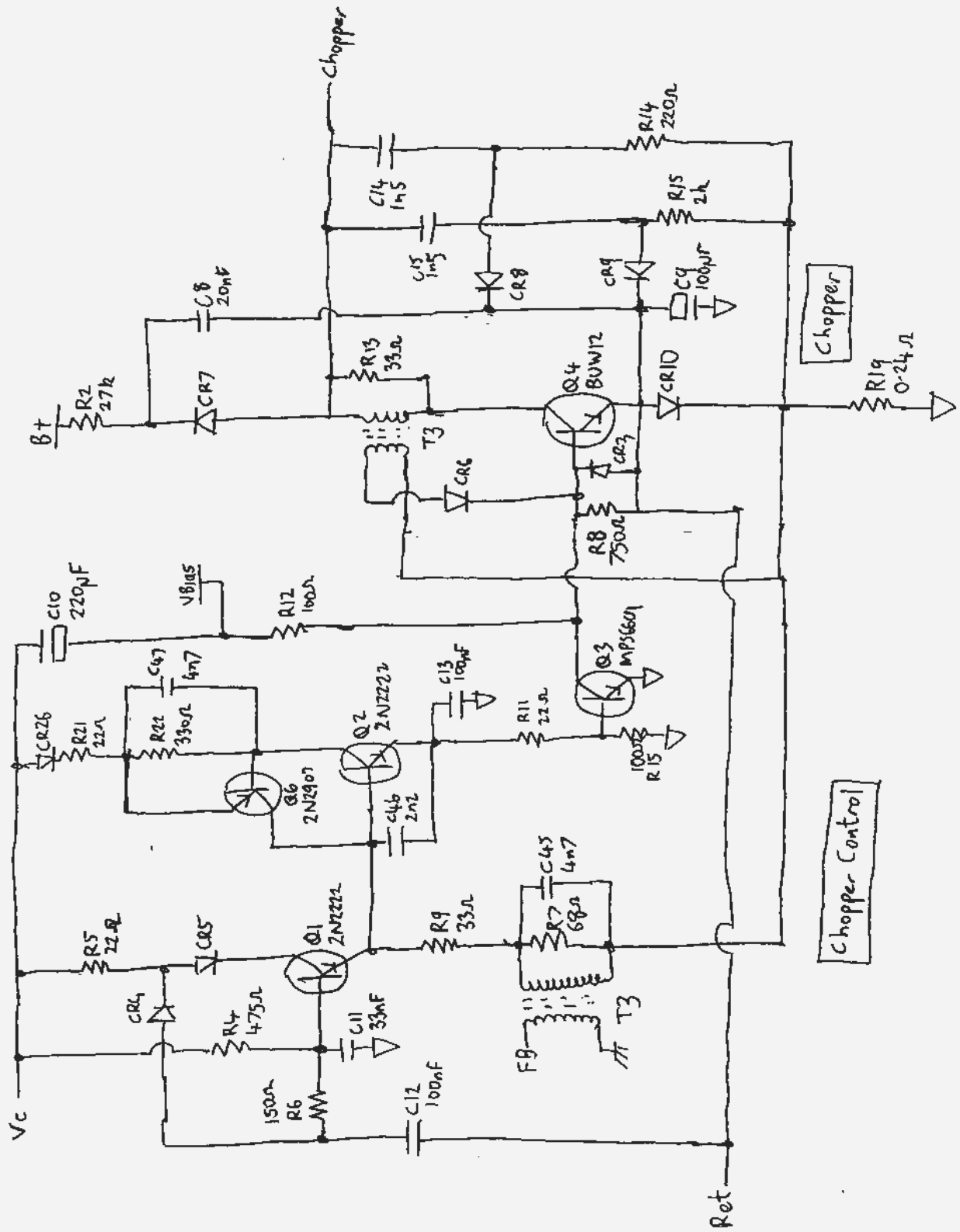




HP9133V/XV Power Cable

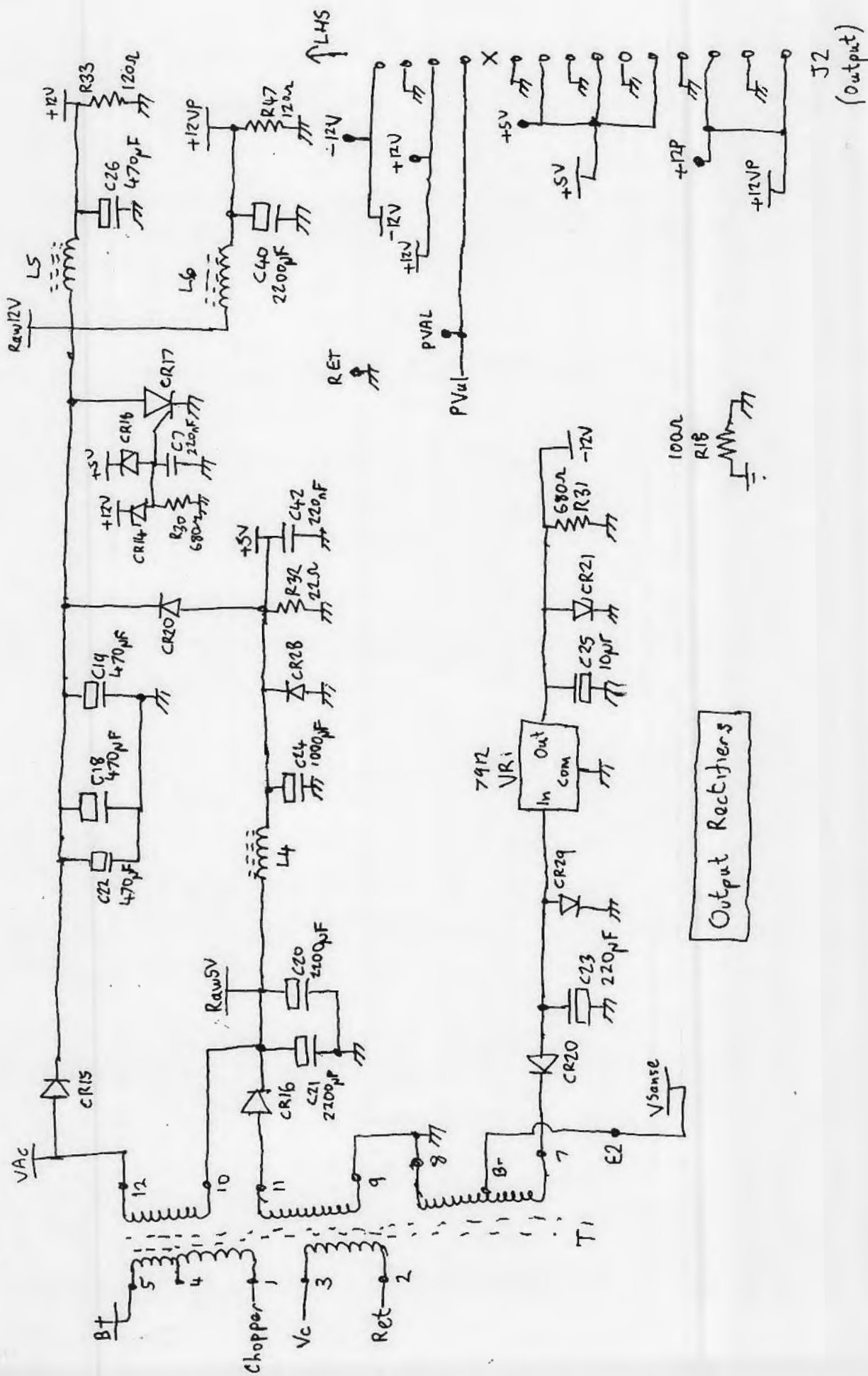


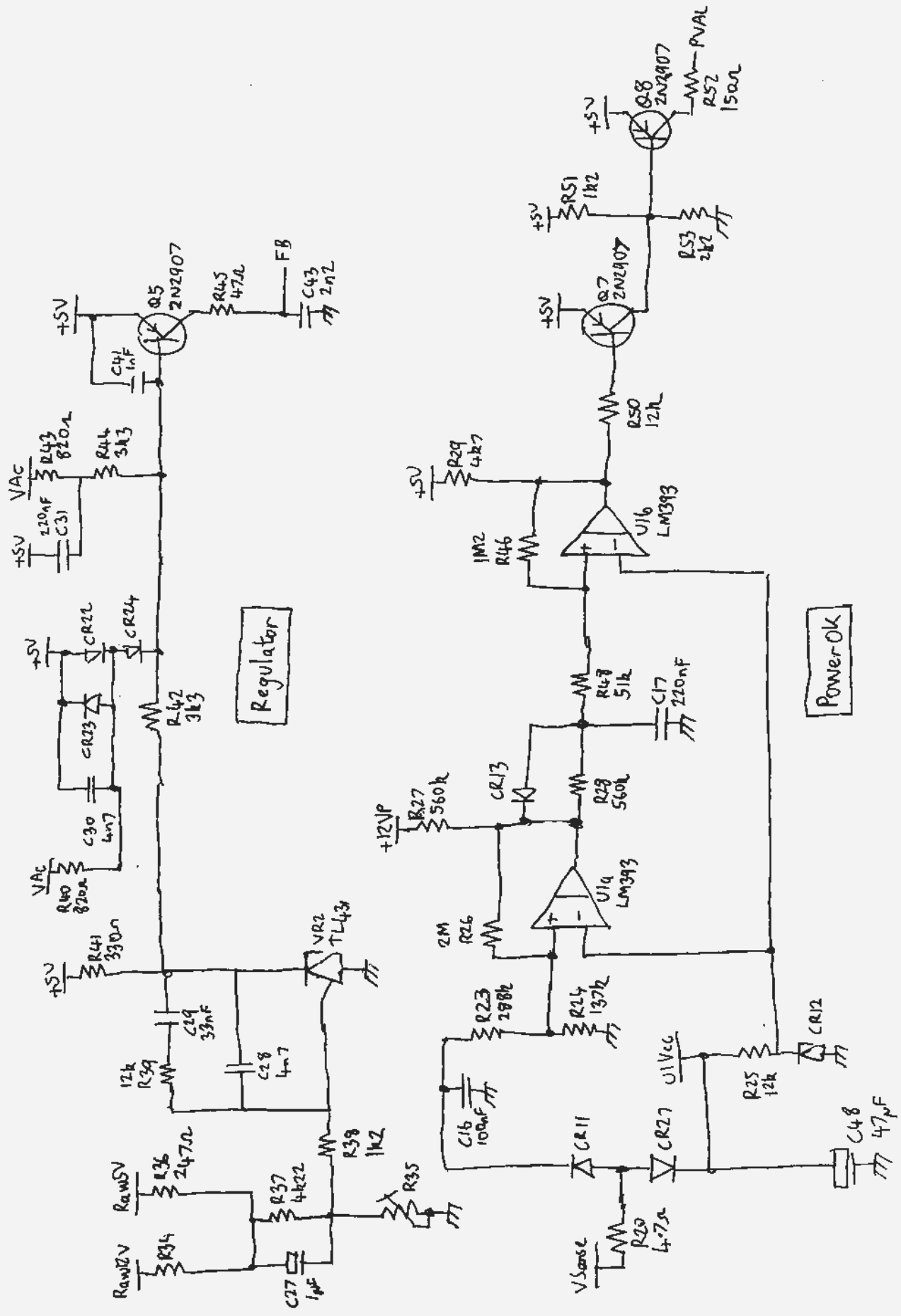
HP9133V/XV PSU PCB Sheet 1 Boschert XL81-3604



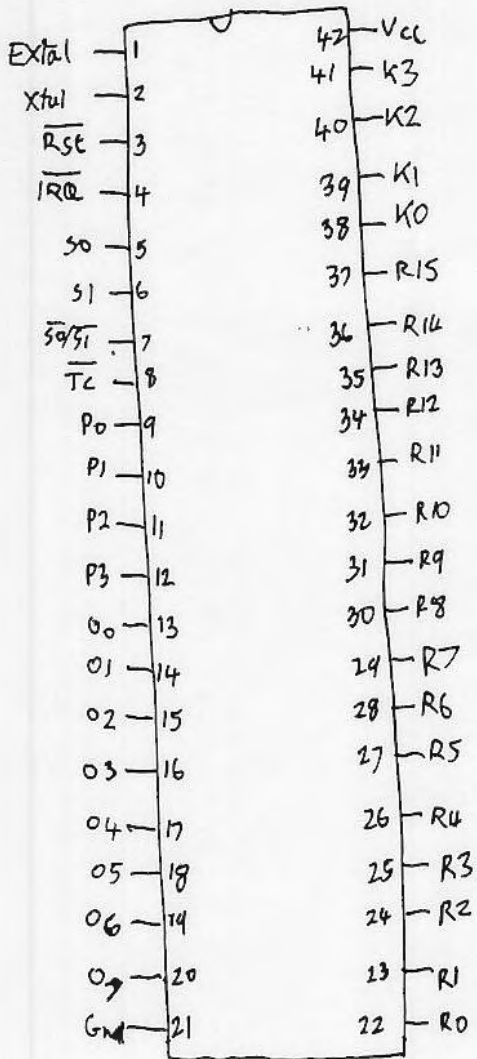
Boschert XL81-3604

HP9133V/XV PSU PCB Sheet 2

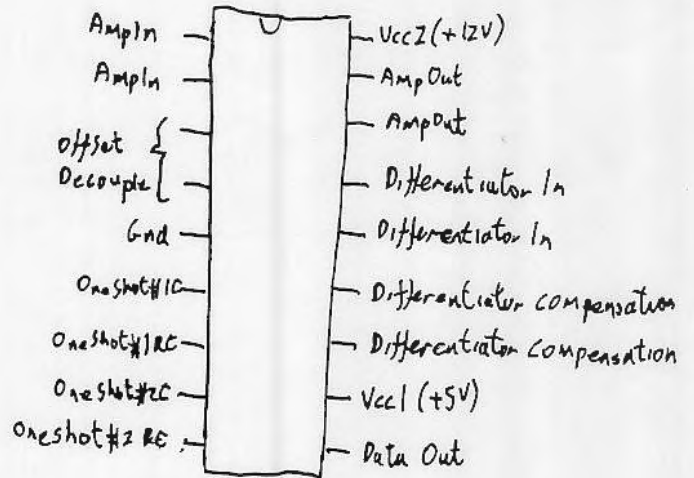




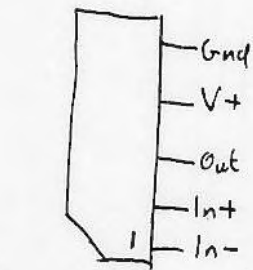
FC6 PCB



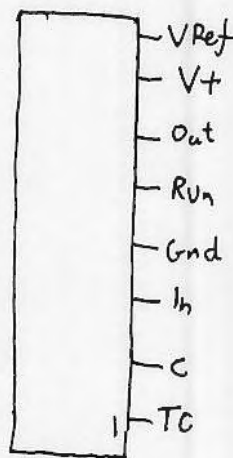
MB8843
4-bit Microcontroller



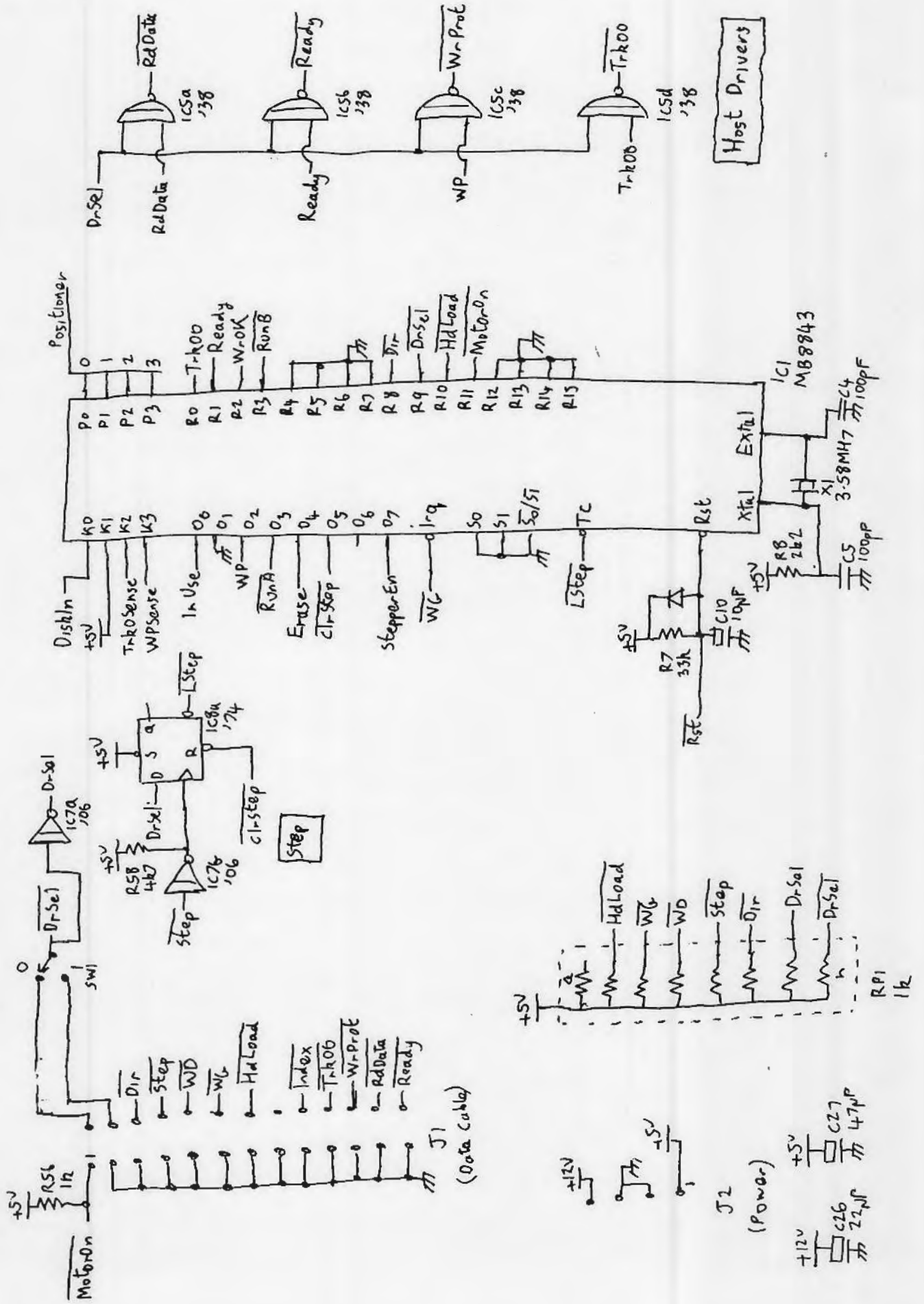
MC3470
Disk Read Chain



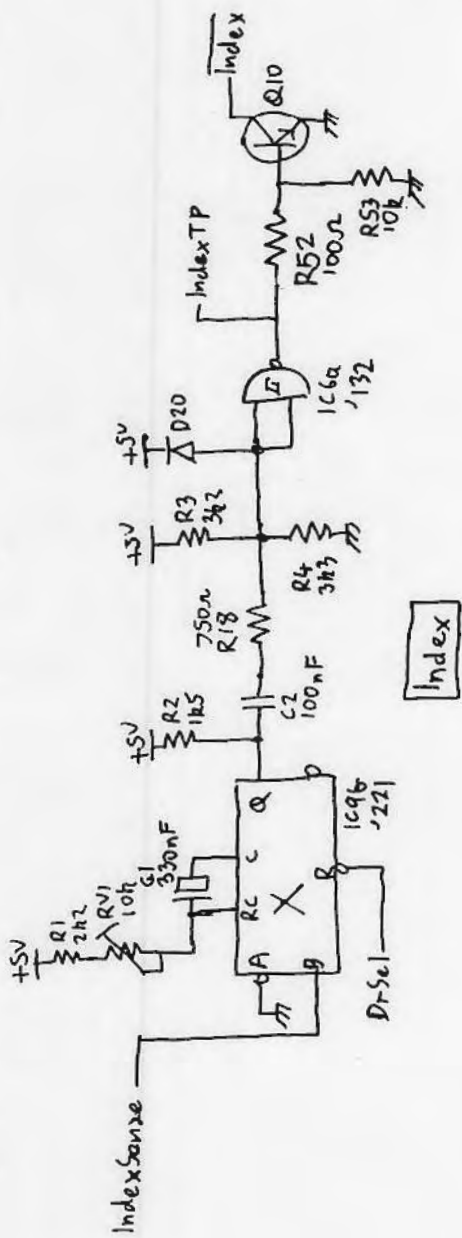
M51204
Comparator



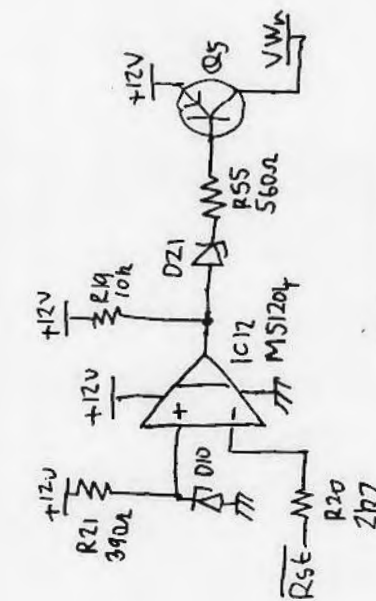
CX-069
Motor Controller



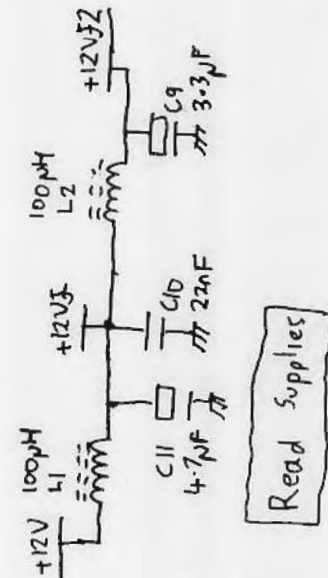
Sony Single-Head Disk Drive Sheet 1 FC-6 PCB



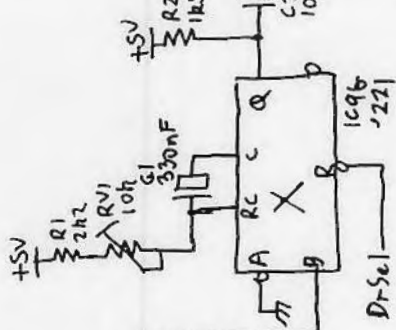
Index



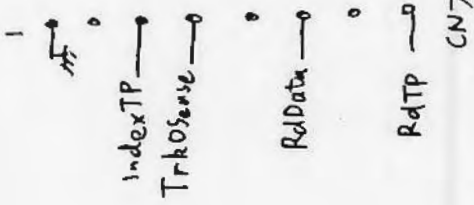
Power OK



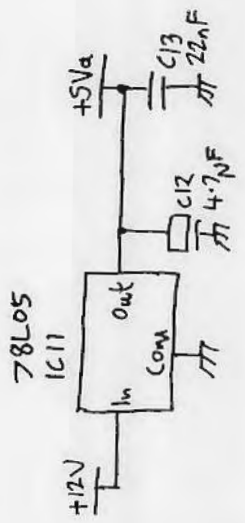
Read Supplies



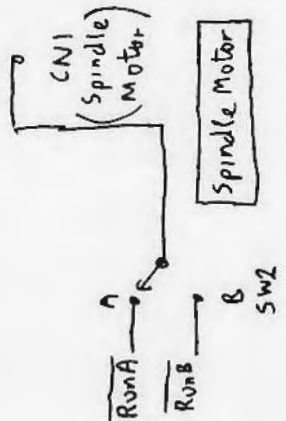
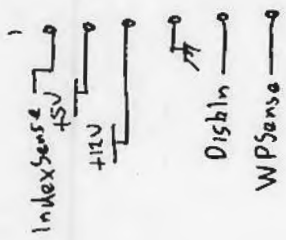
Index Sense



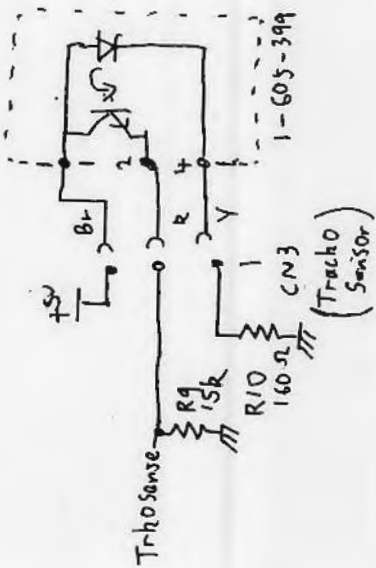
(Test Points)



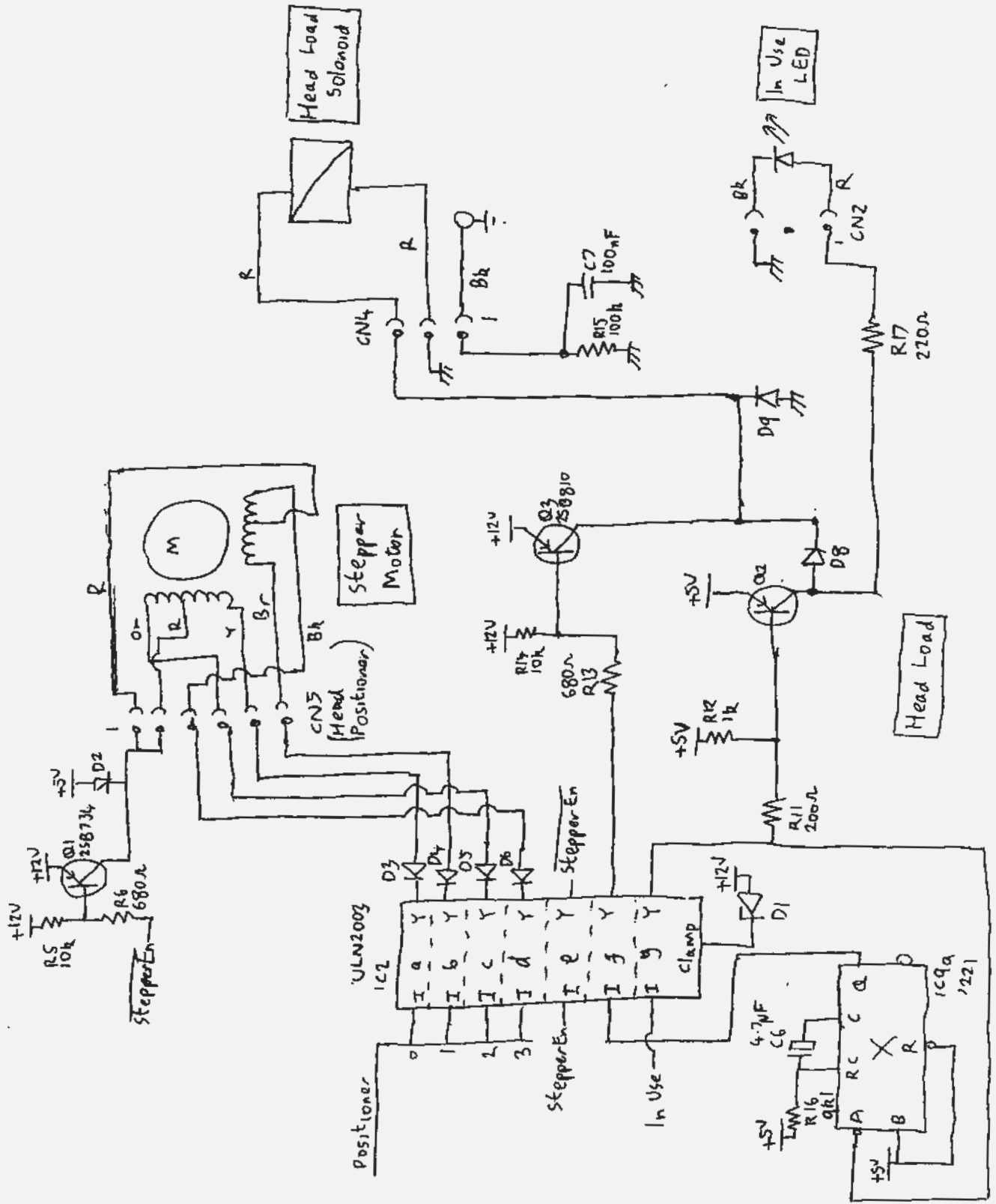
Trach O Sensor

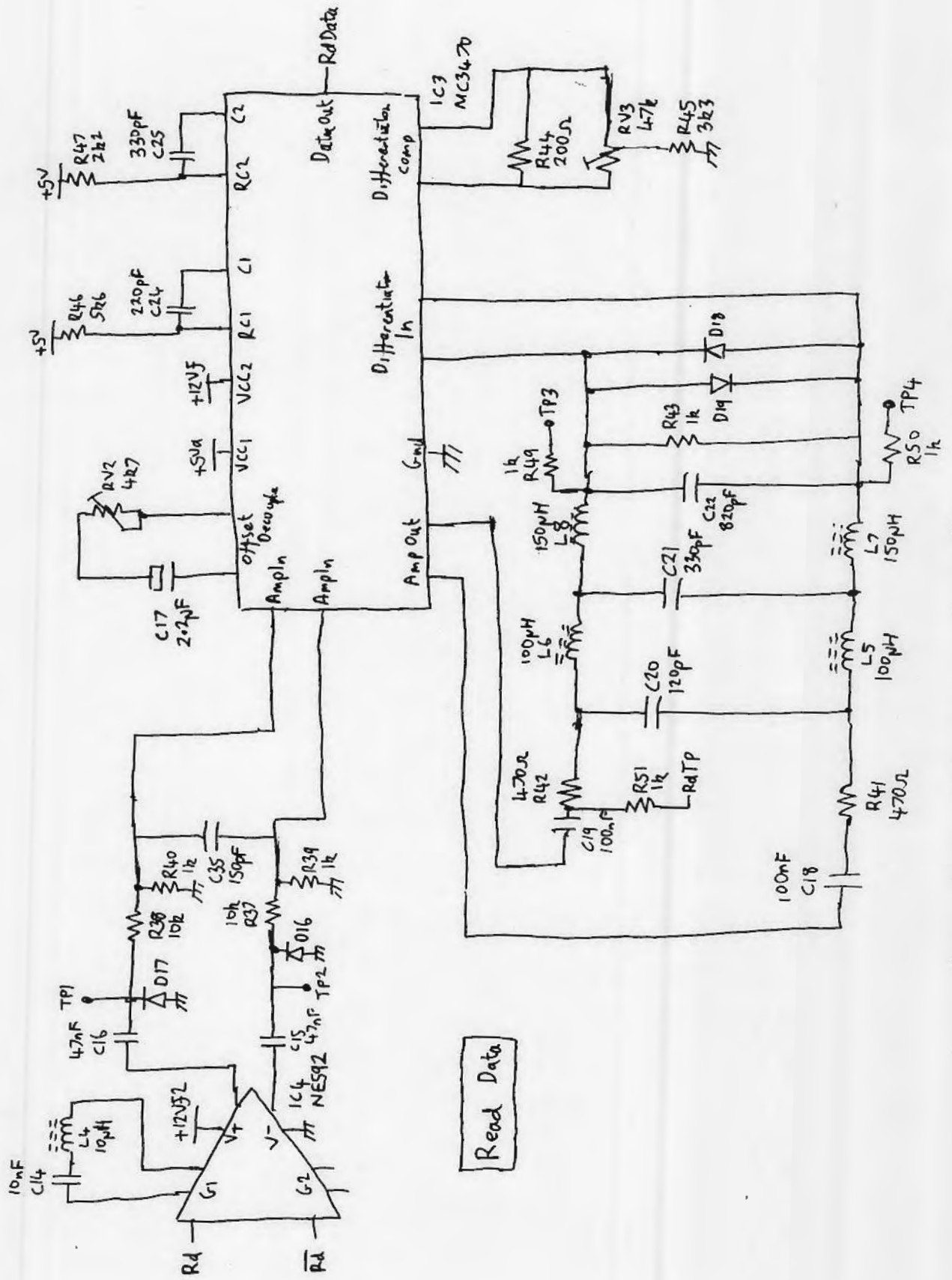


Spindle Motor

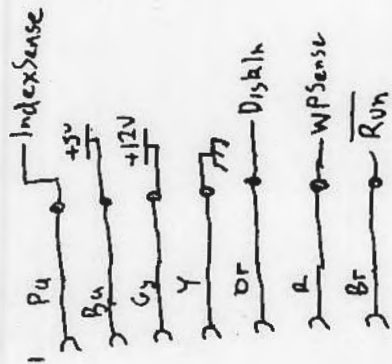
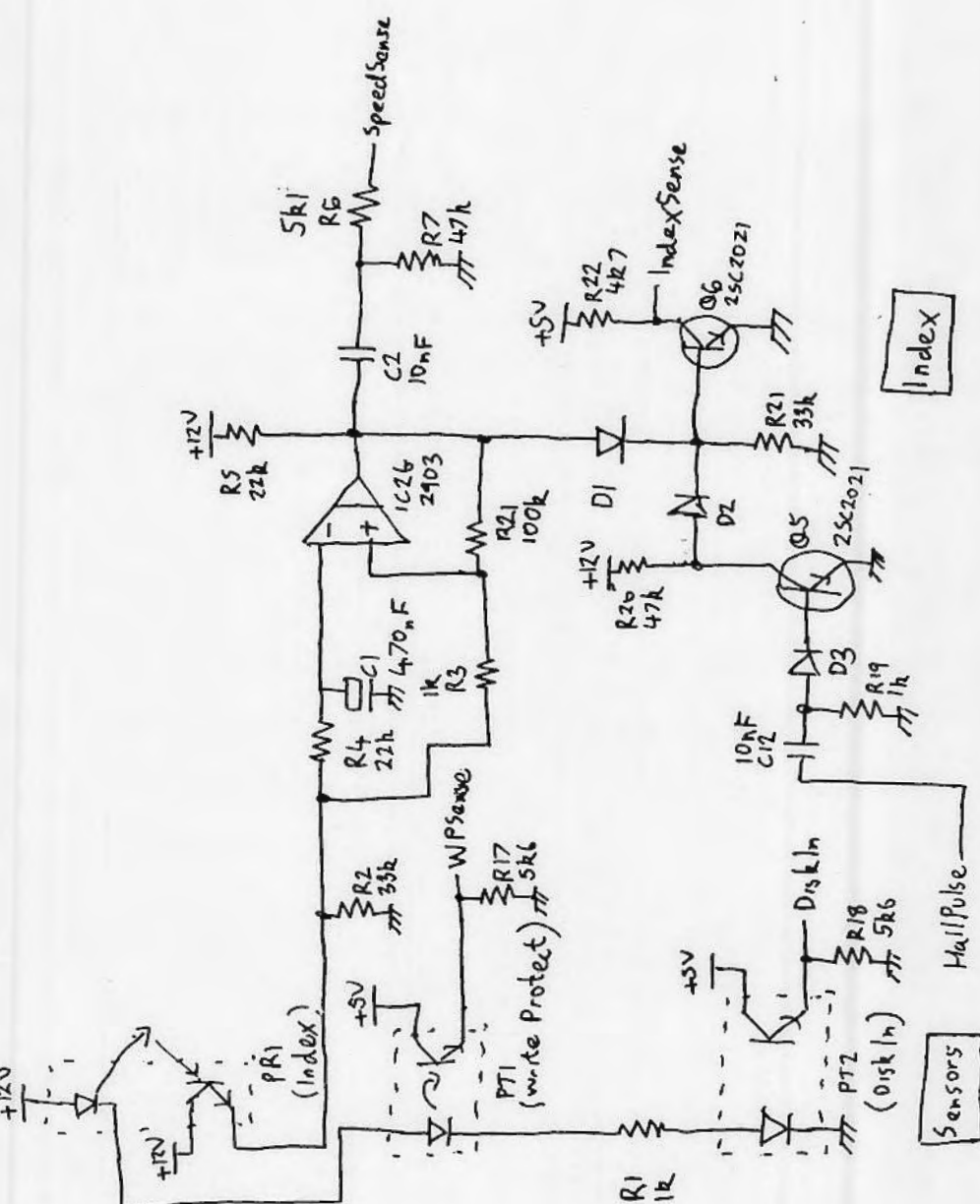


Trach O Sensor

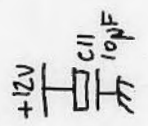


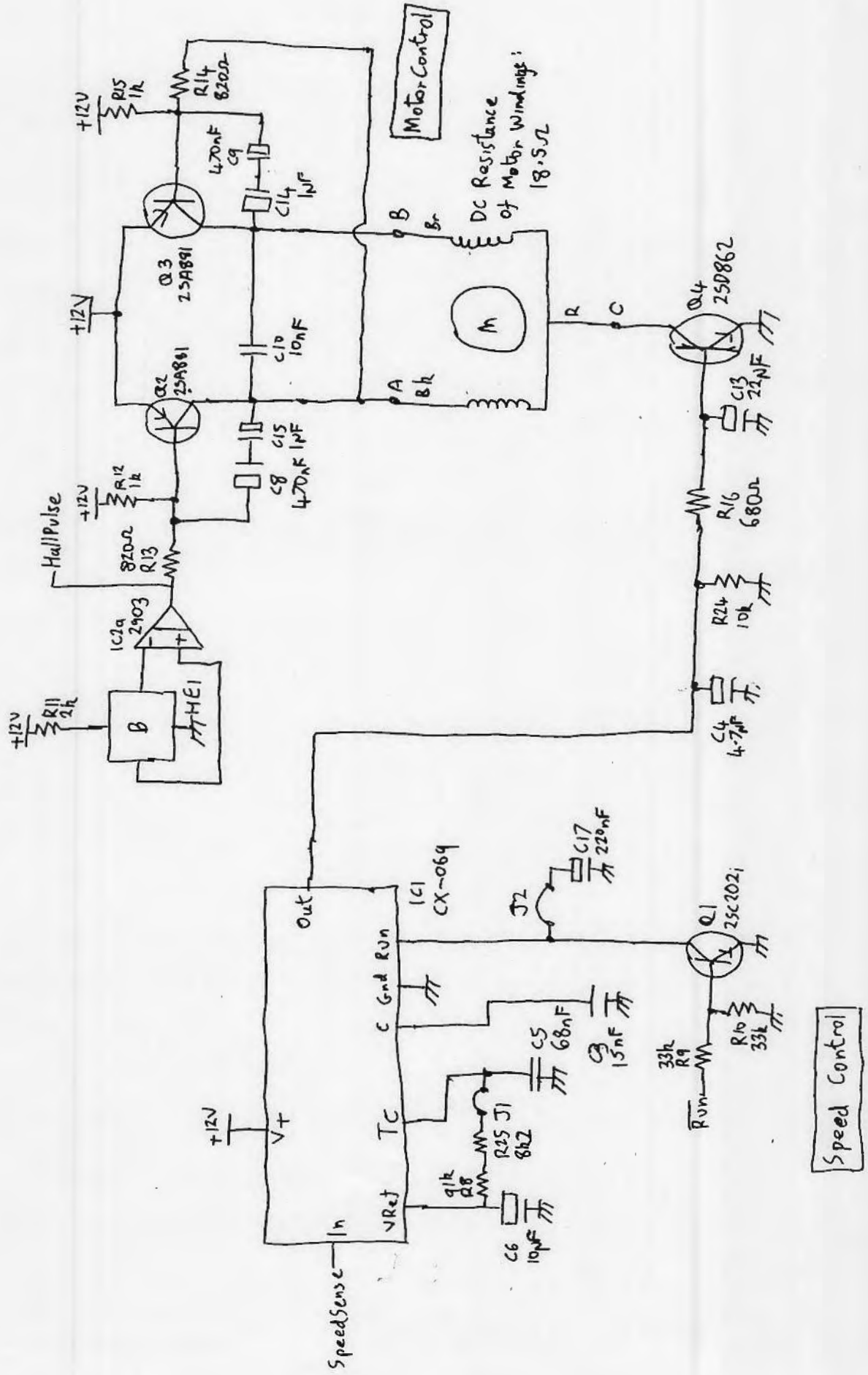


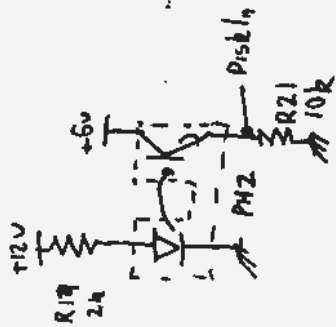
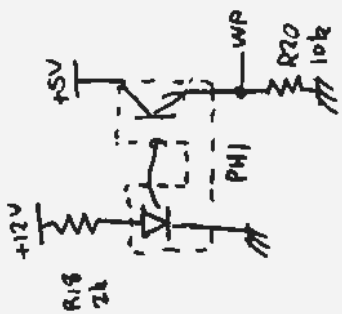
Read Data



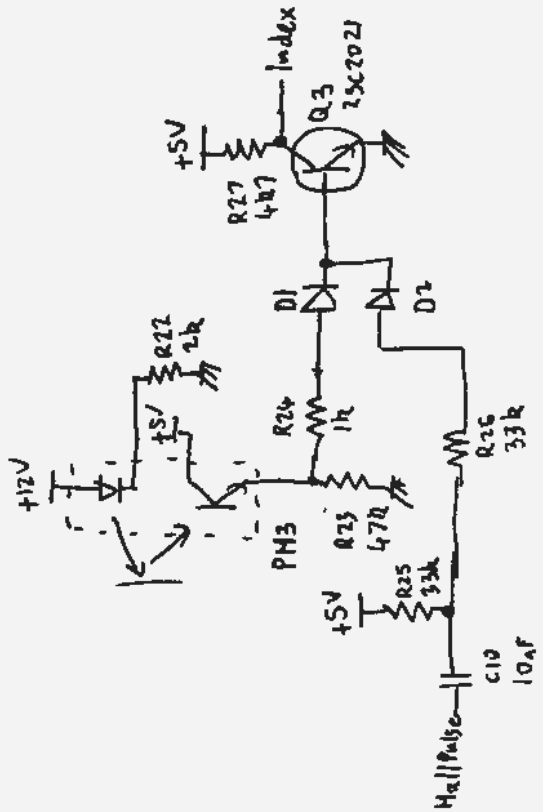
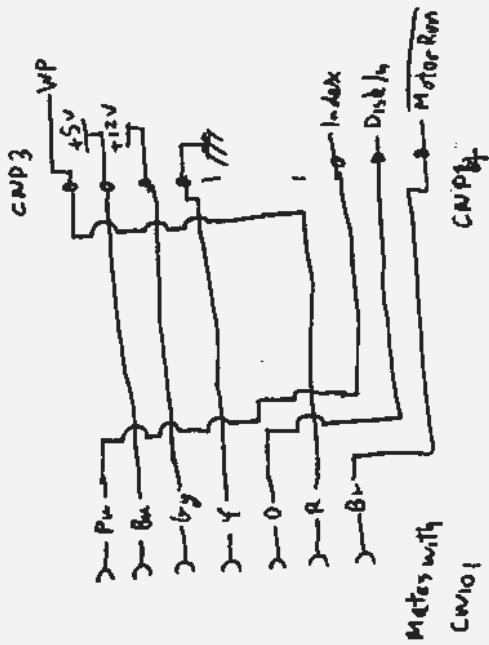
(To CNI)



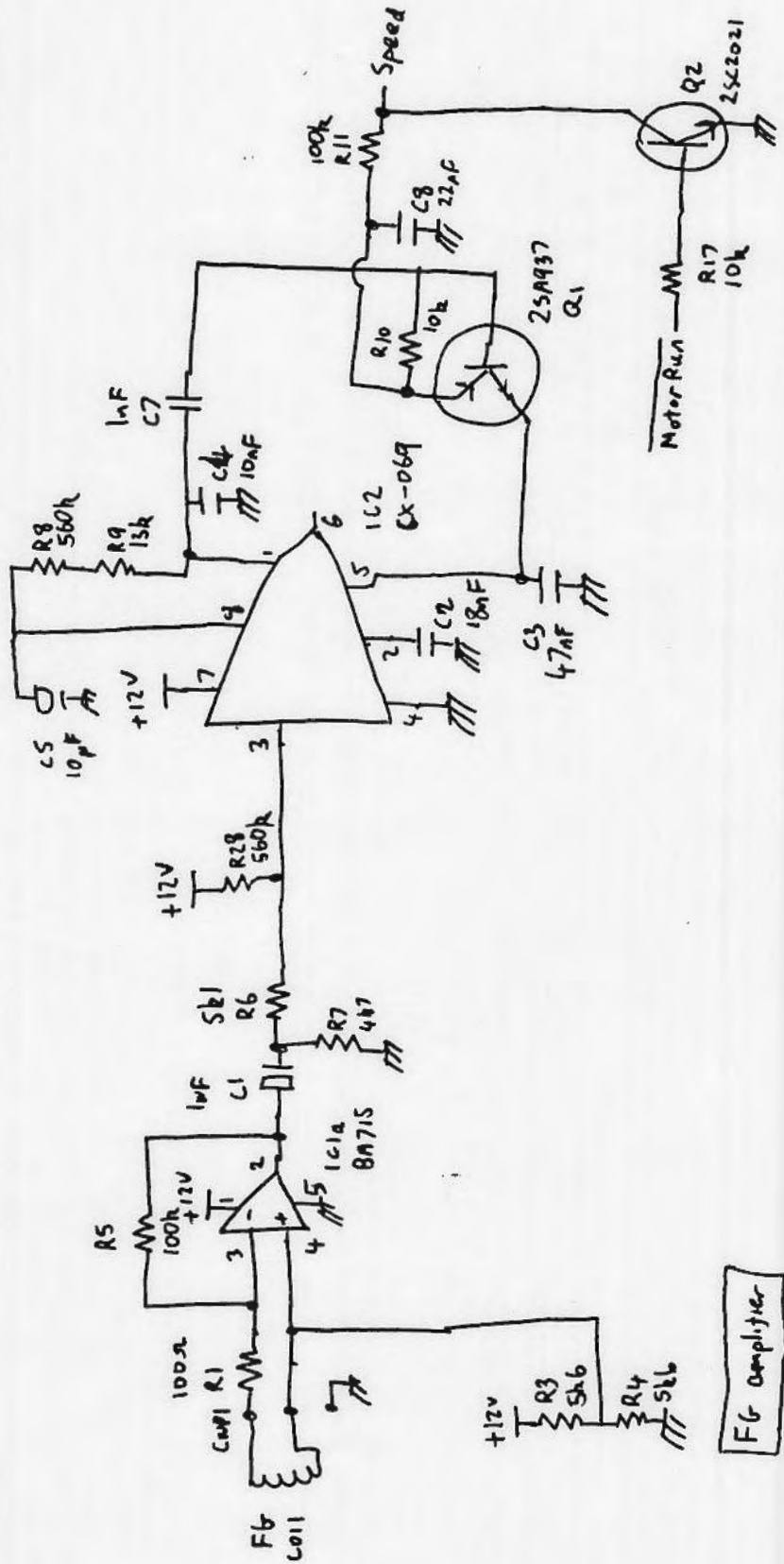




Sensors



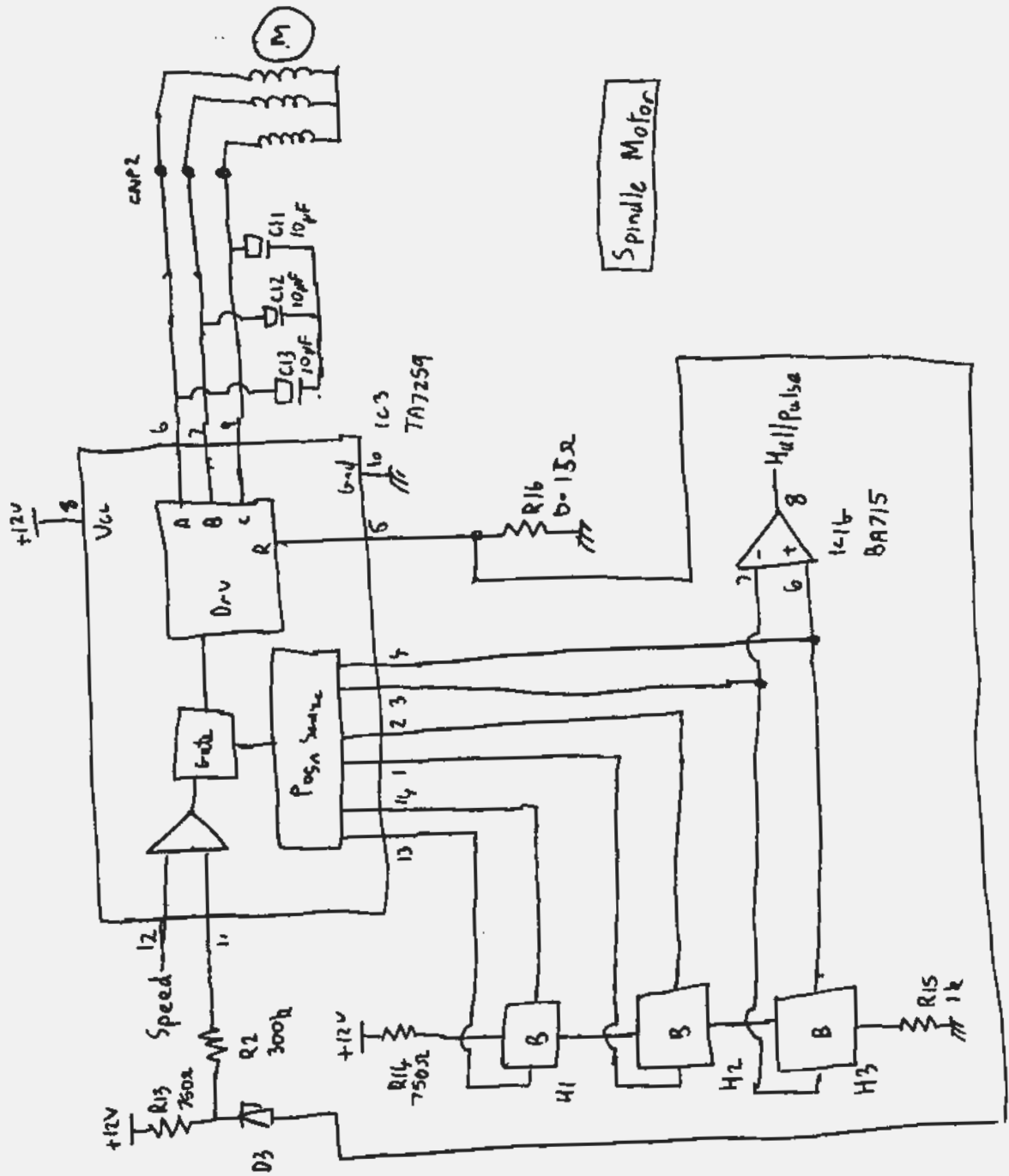
Sony Floppy Drive Spindle Motor. Sheet 1



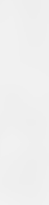
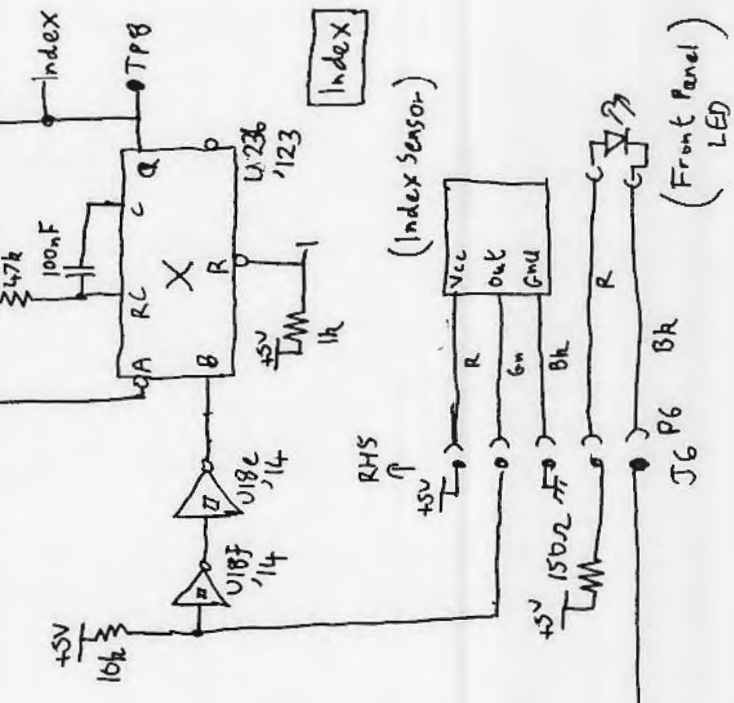
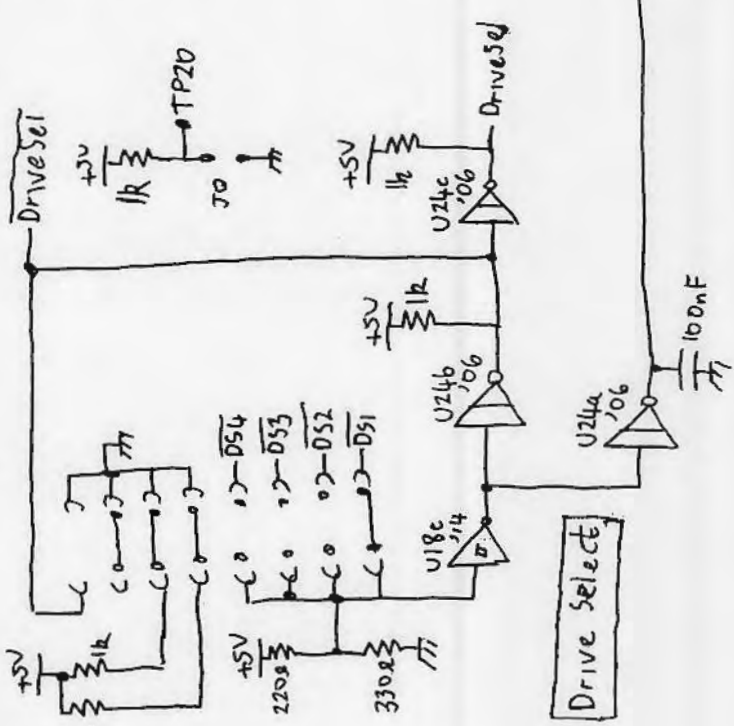
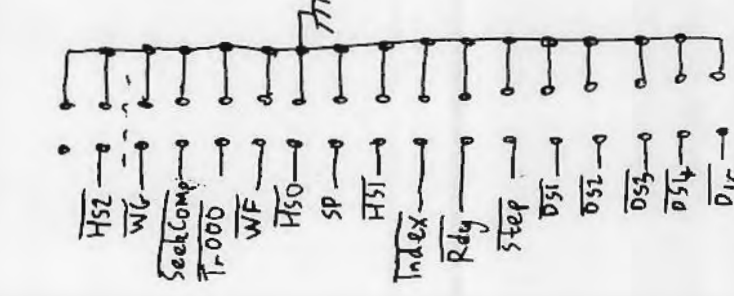
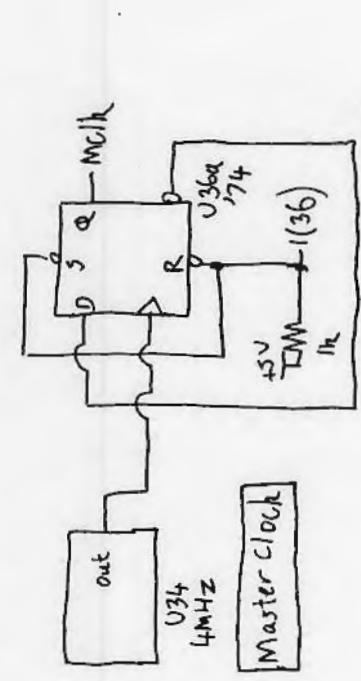
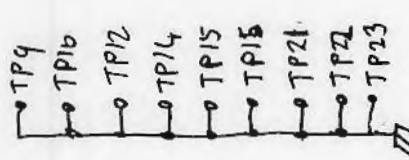
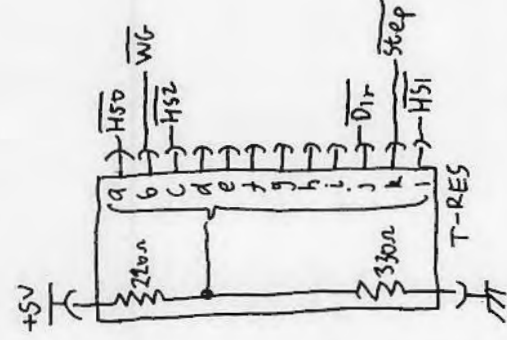
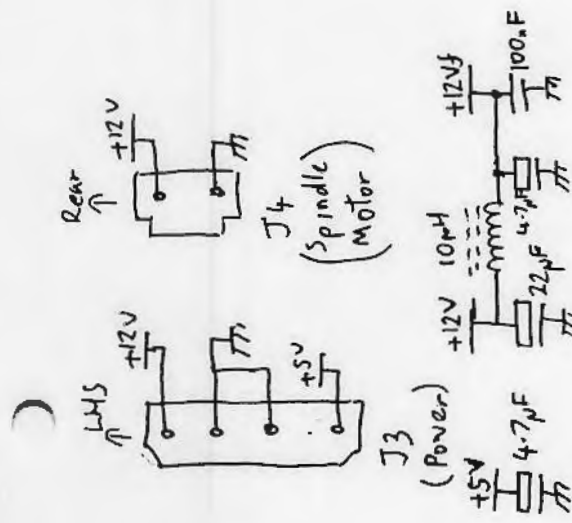
Spindle Speed

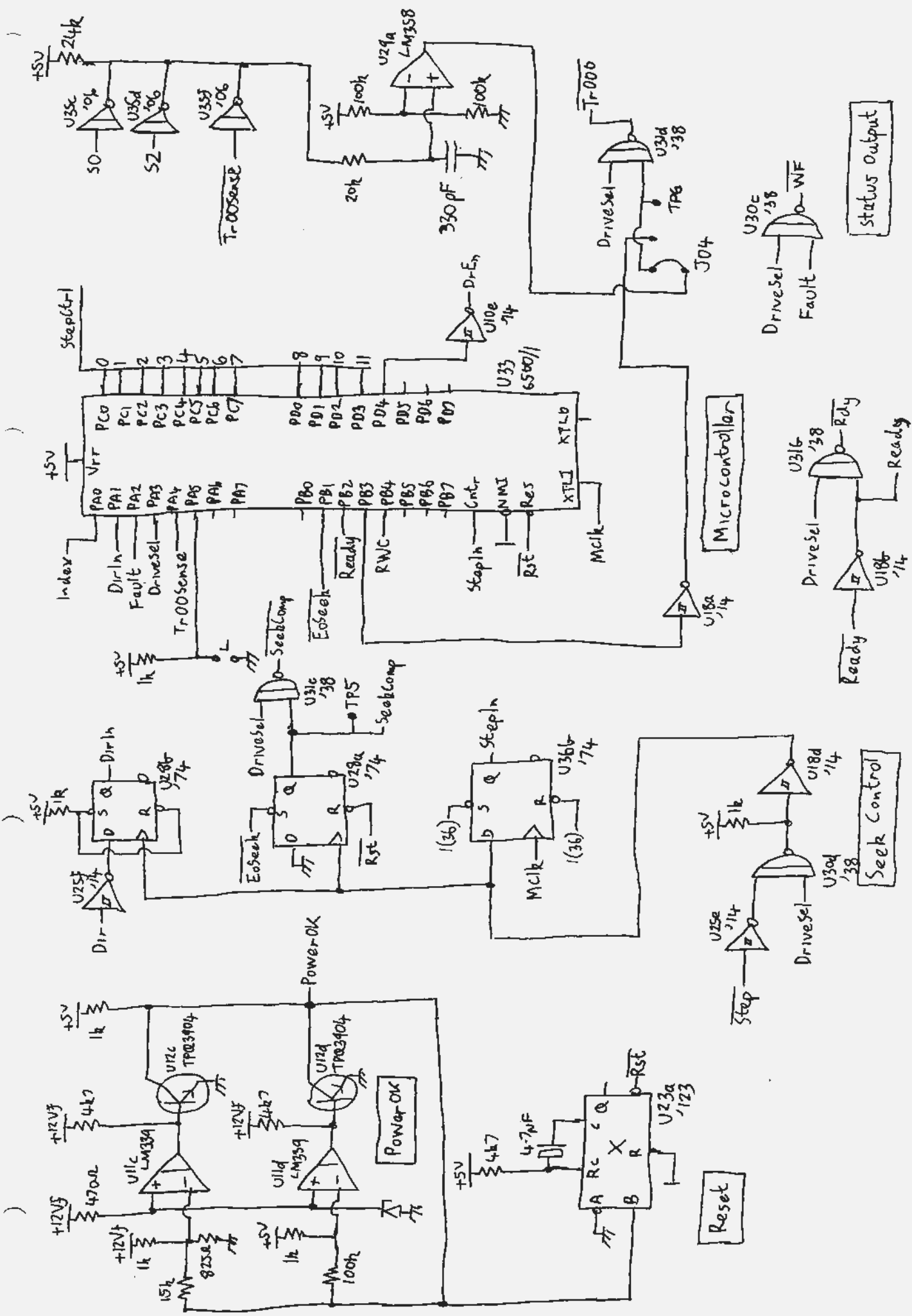
FG amplifier

Sony Floppy Drive Spindle Motor sheet 2



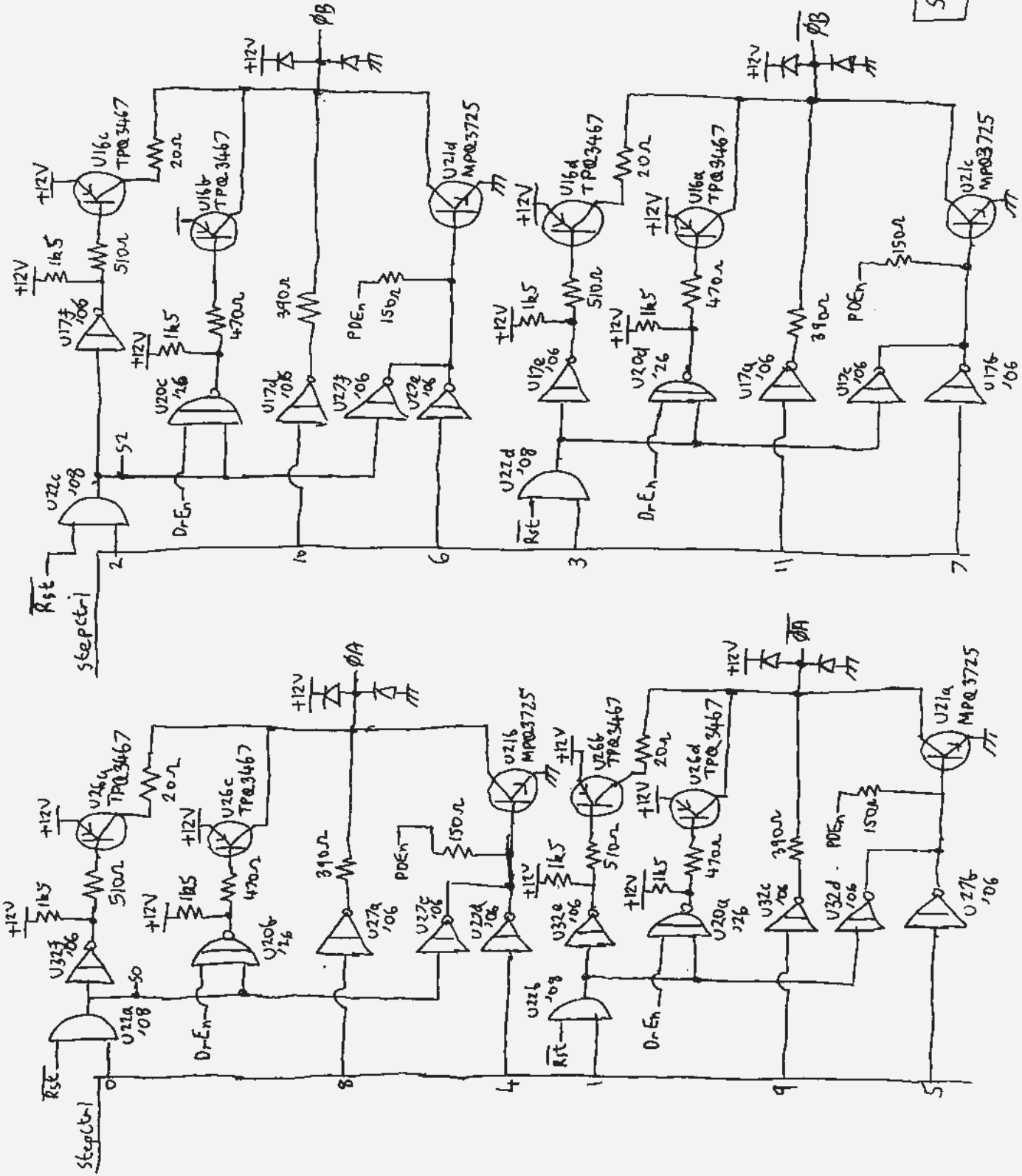
Sony Floppy Drive Spindle Motor Sheet ③

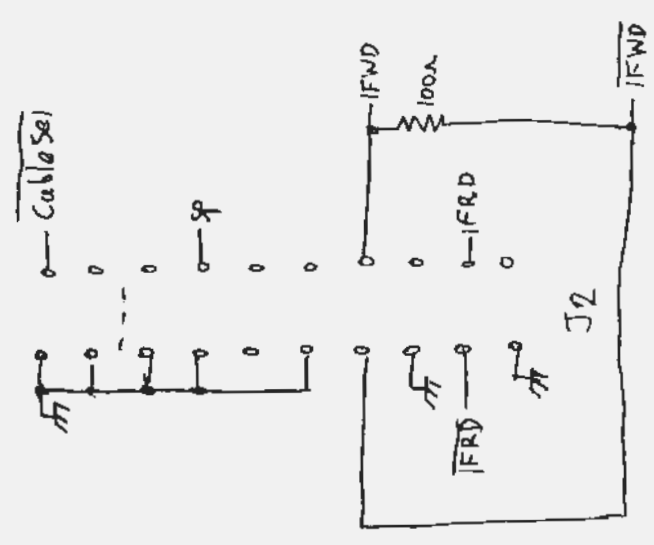
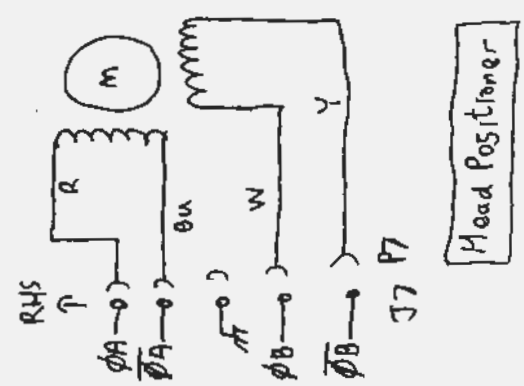
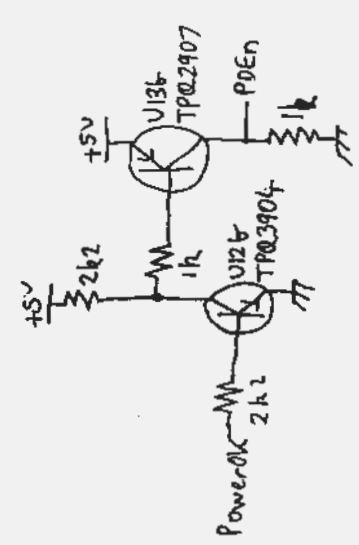
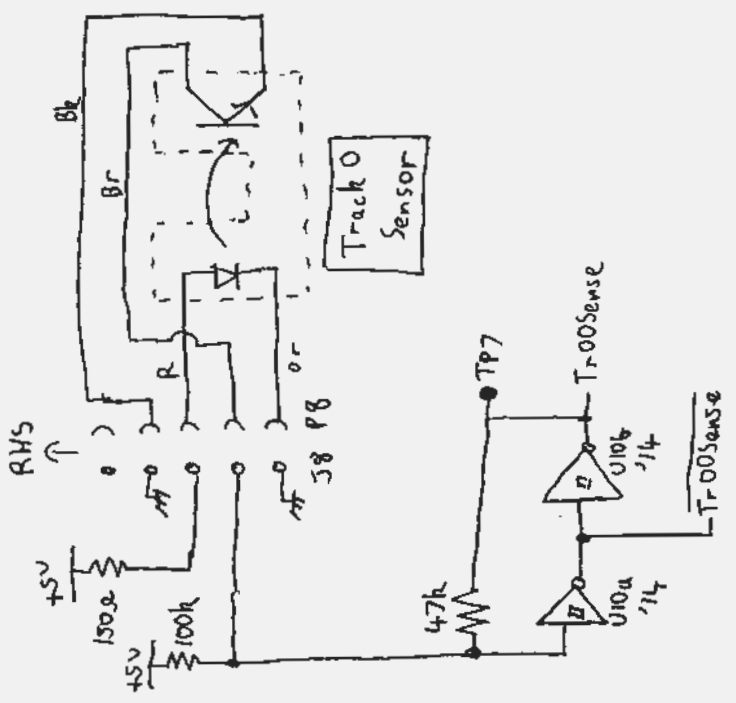


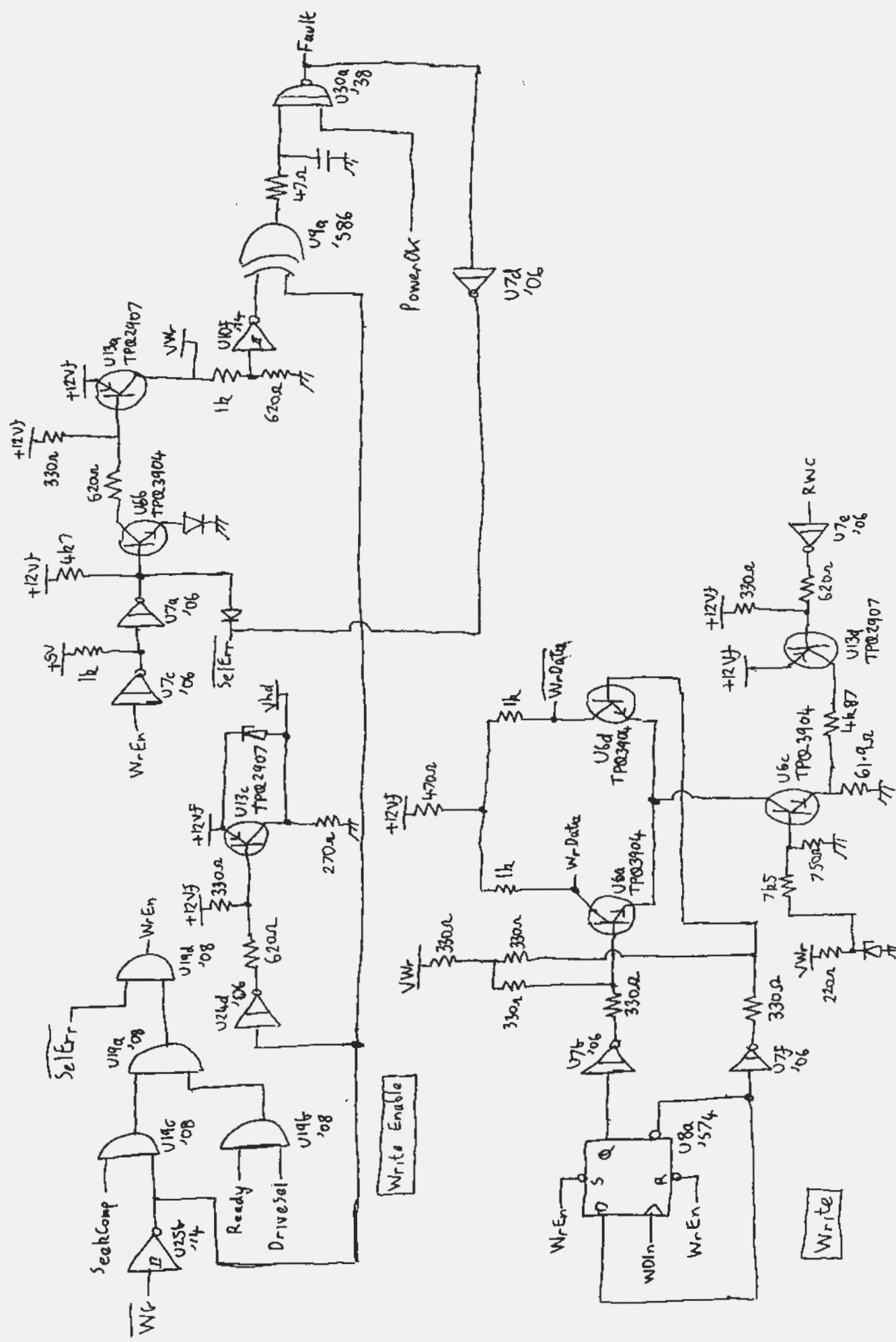


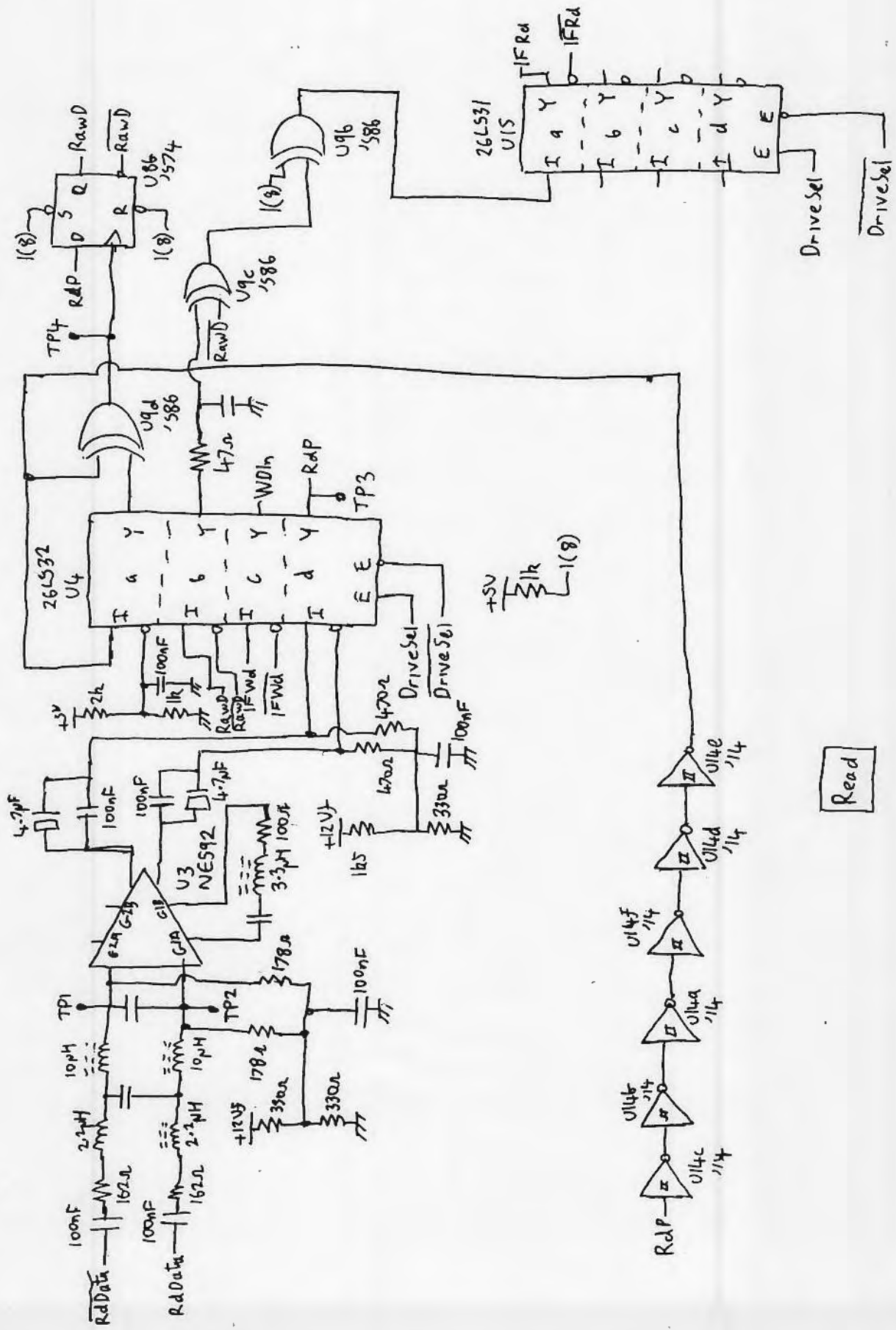
Seagate ST406/ST412 Control PCB Sheet 2 20221

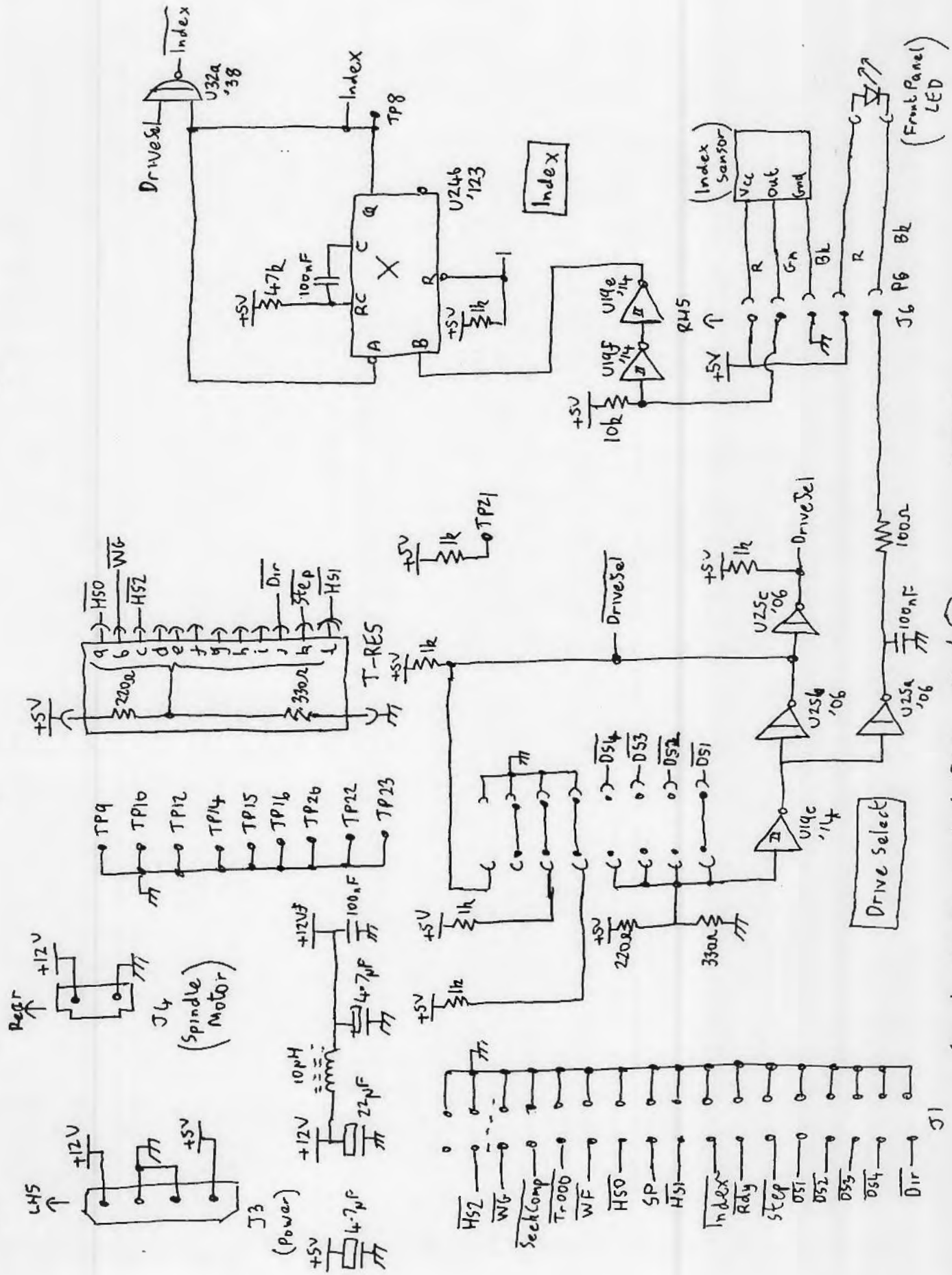
Stepper Motor Driver





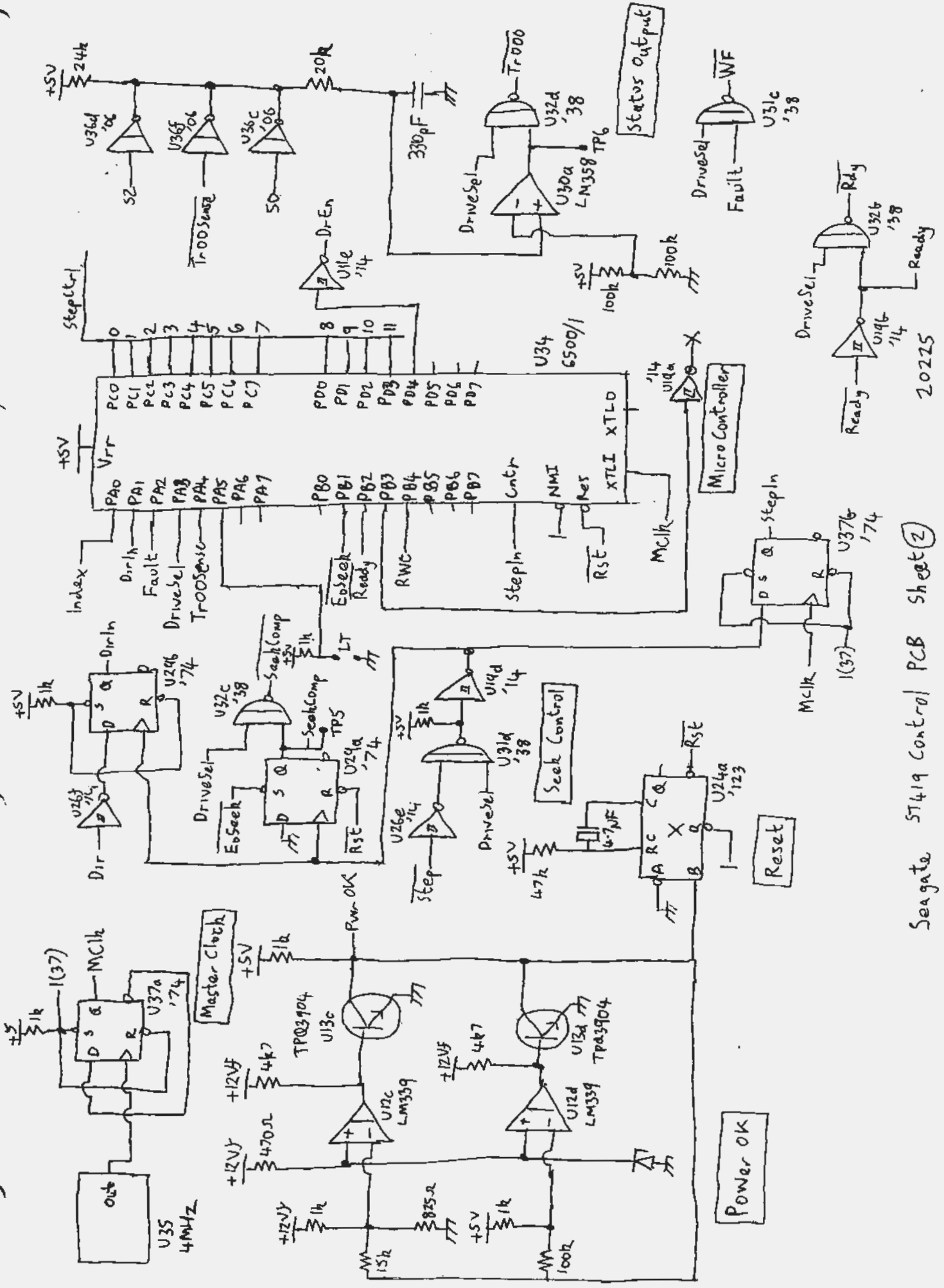






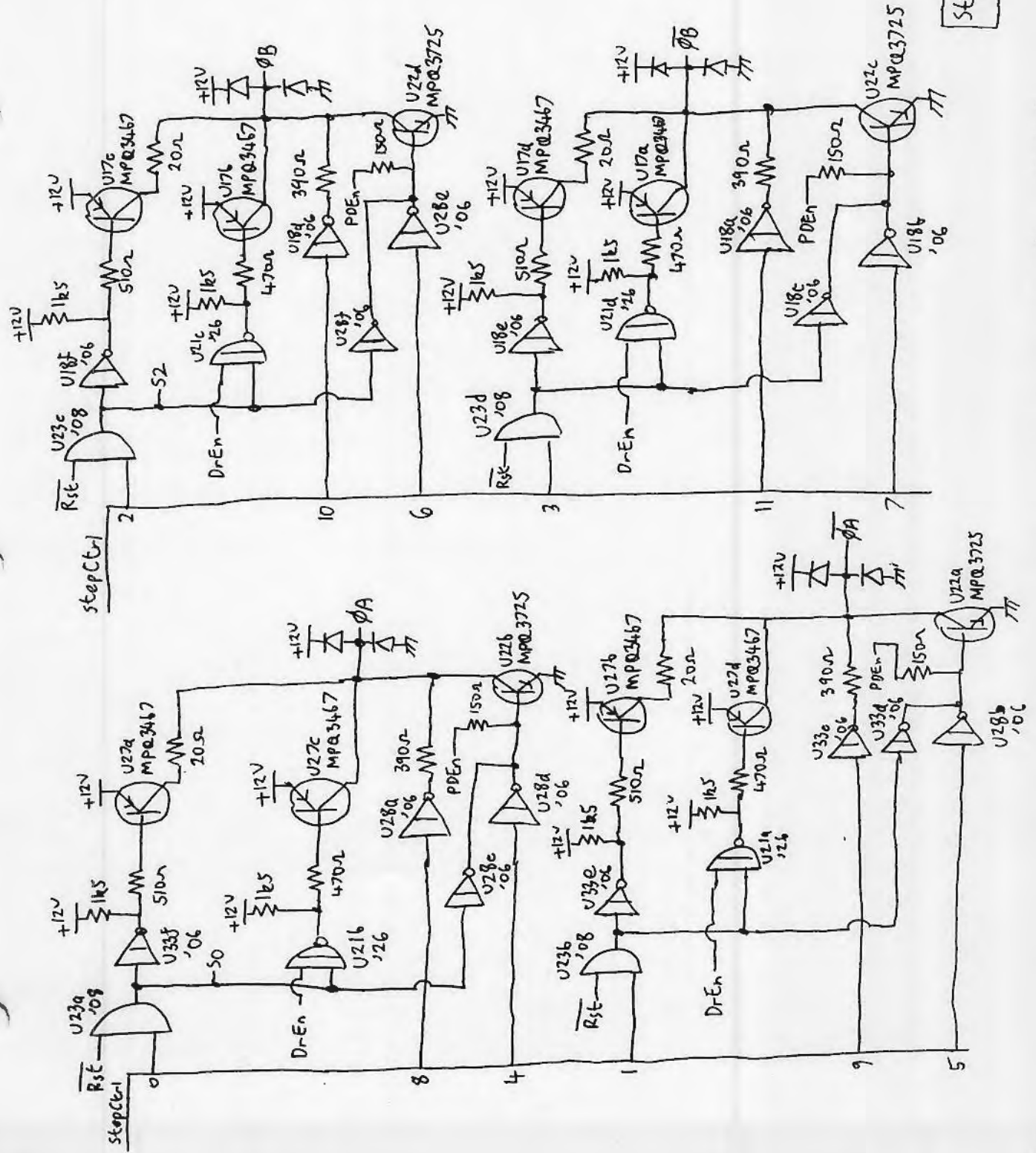
Seagate ST419 Control PCB Sheet 1

20225

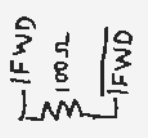
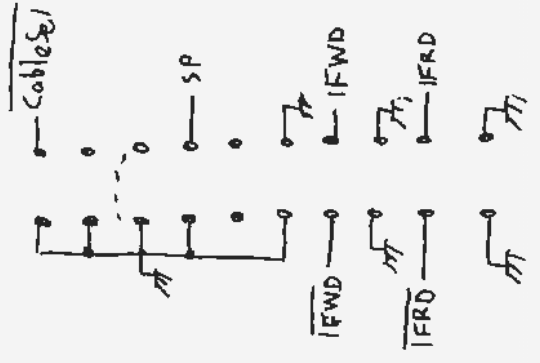
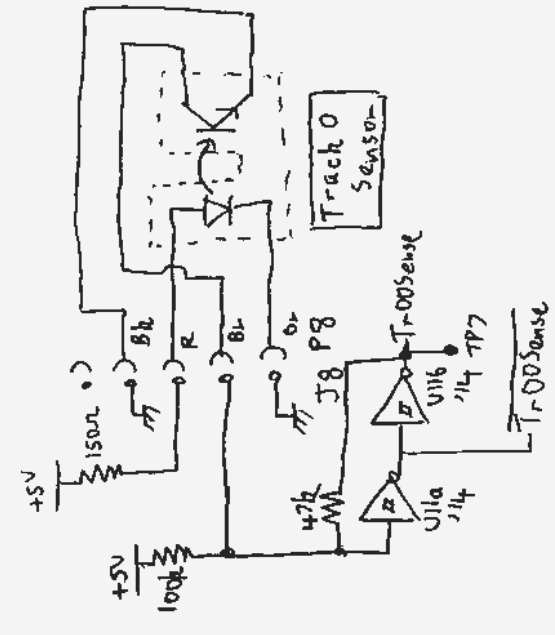
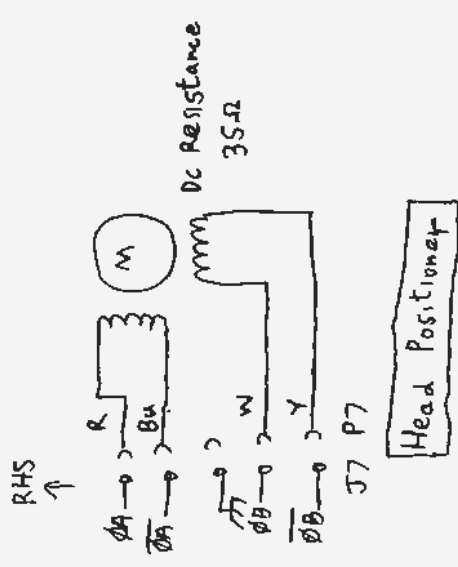
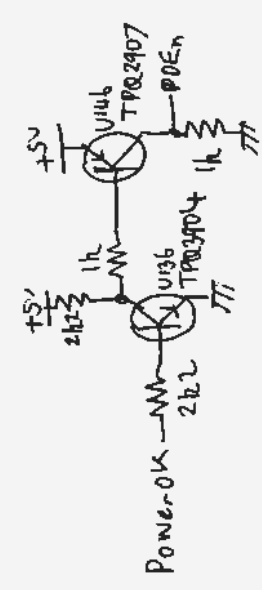


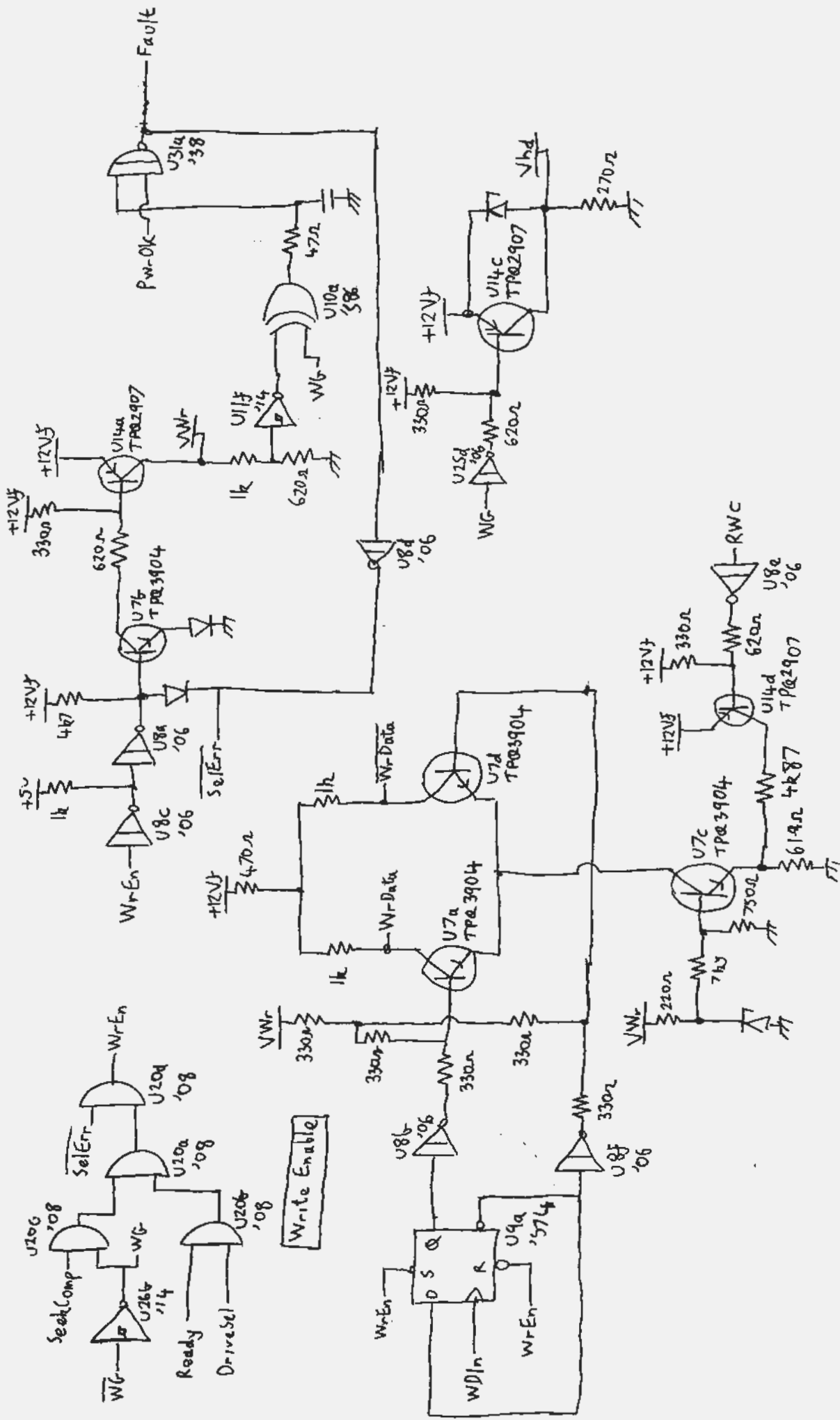
Seagate ST419 Control PCB Sheet 2

20225

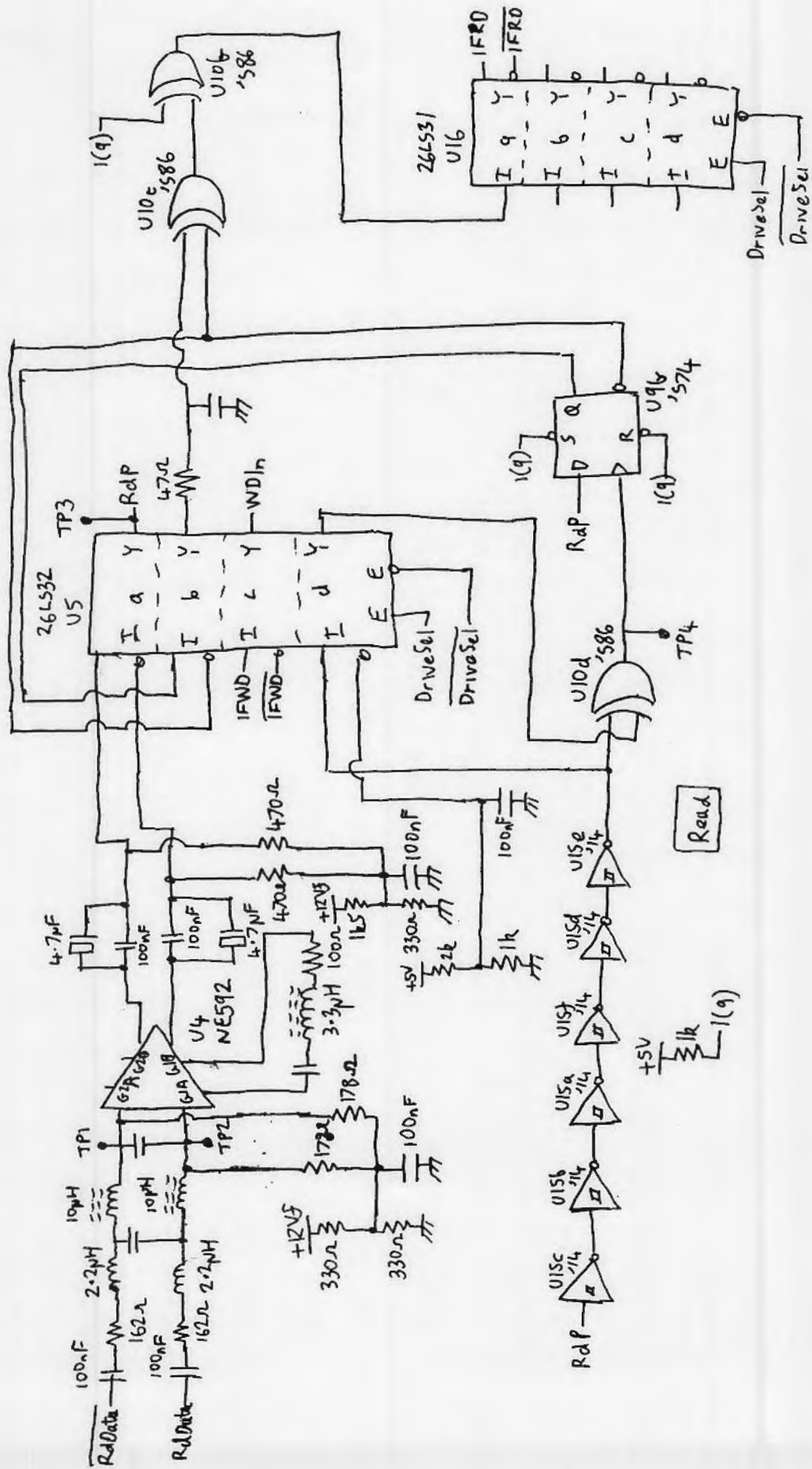


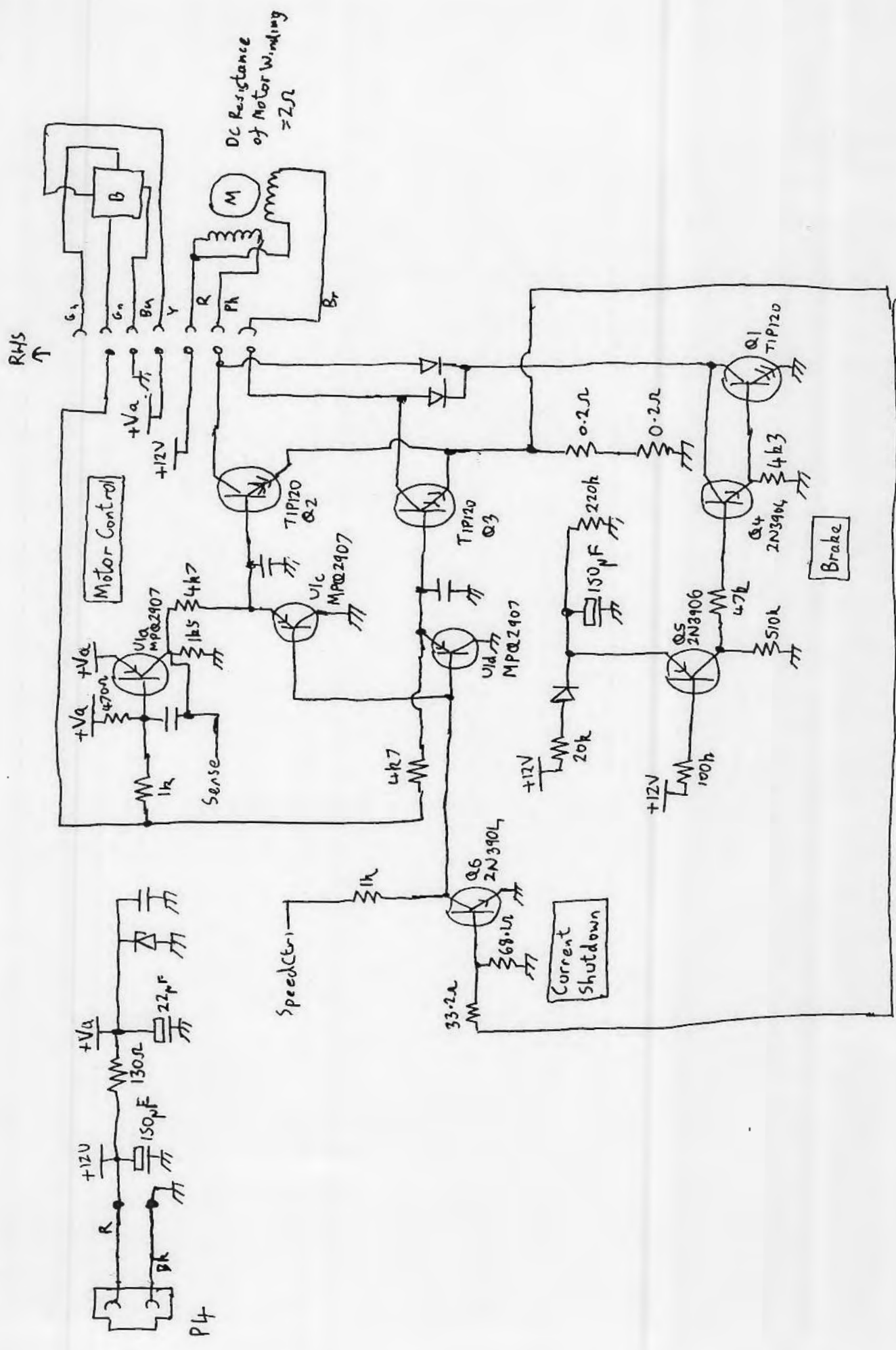
Stepper Motor Driver

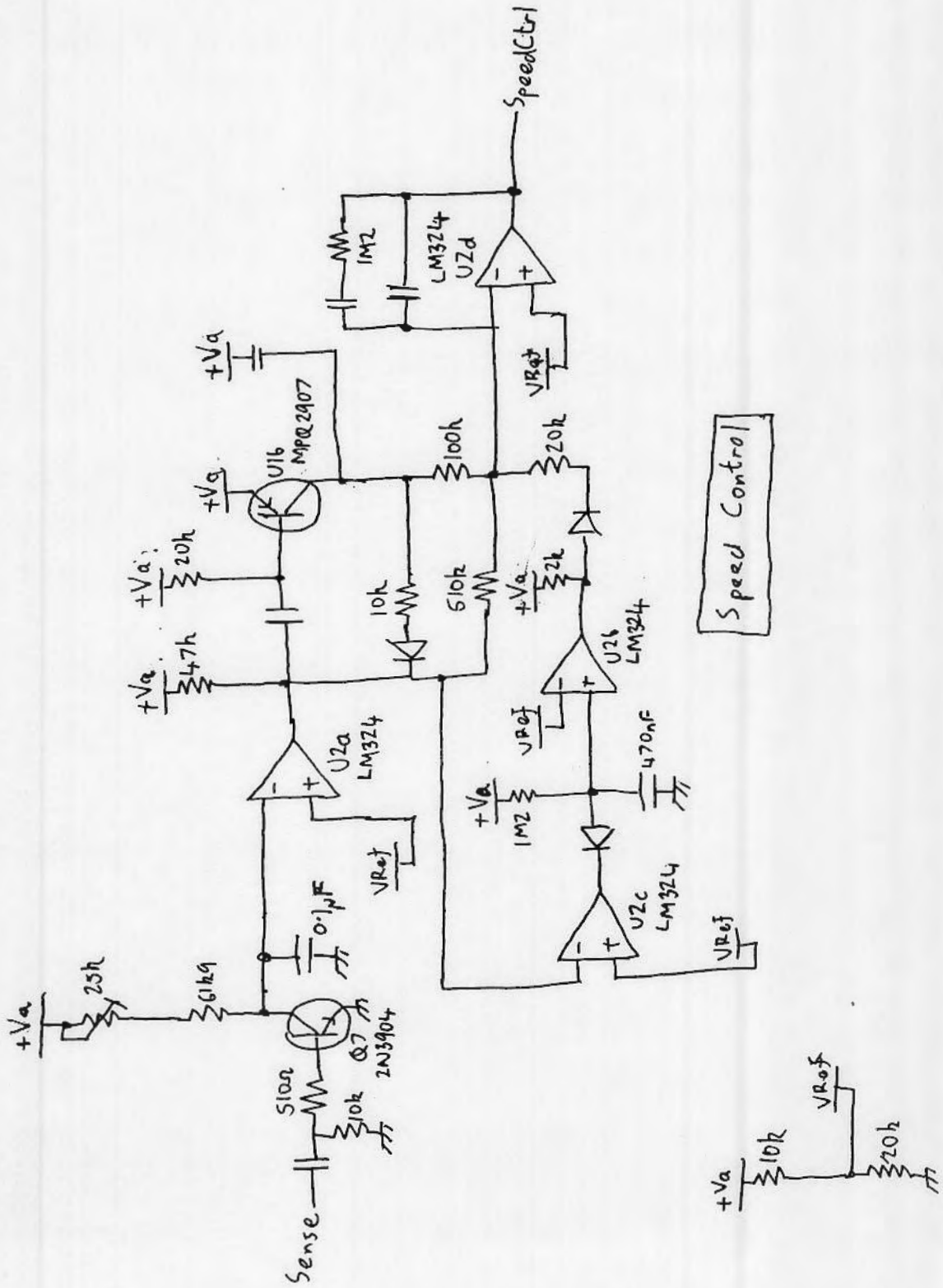




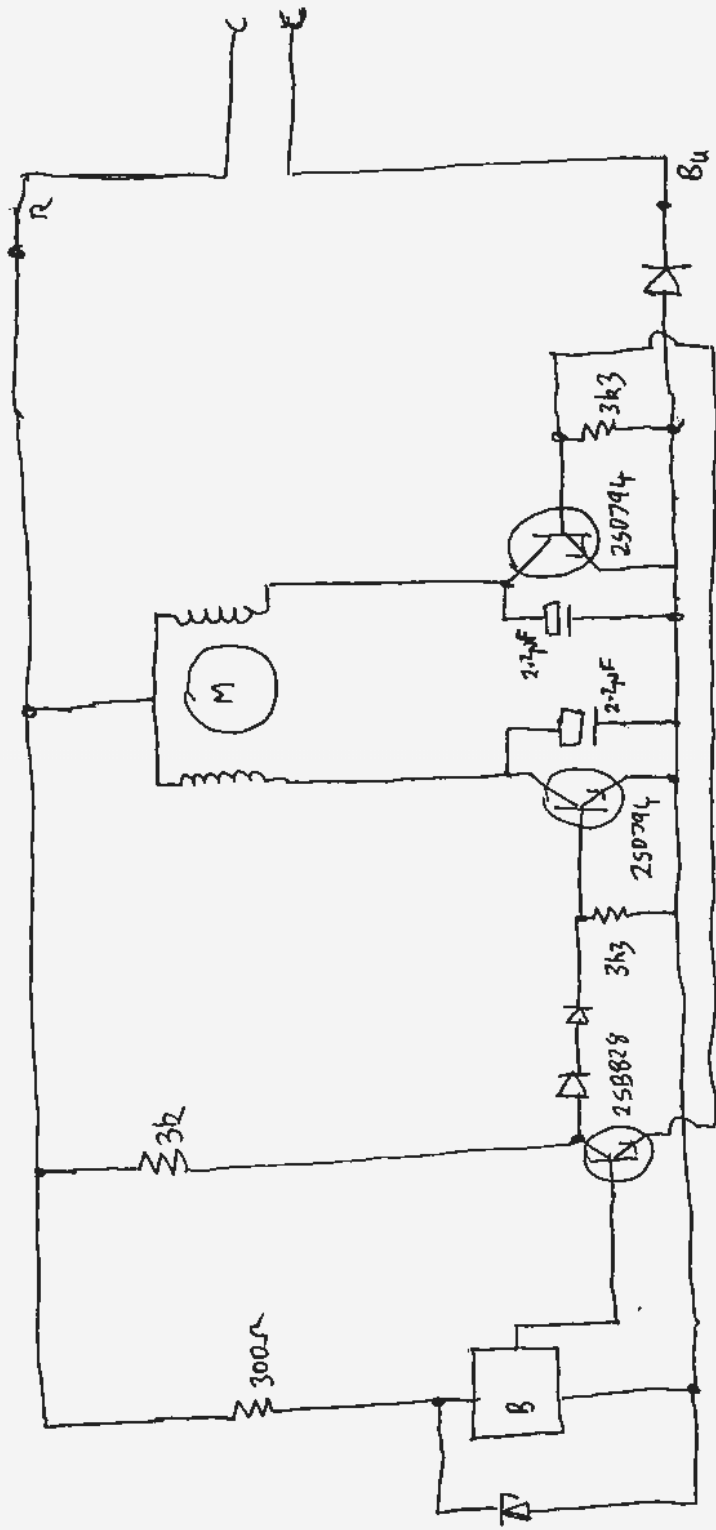
Write







Speed Control



HP9133V/XV Fan (Panaflo)