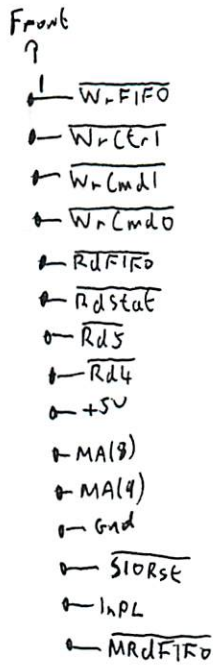


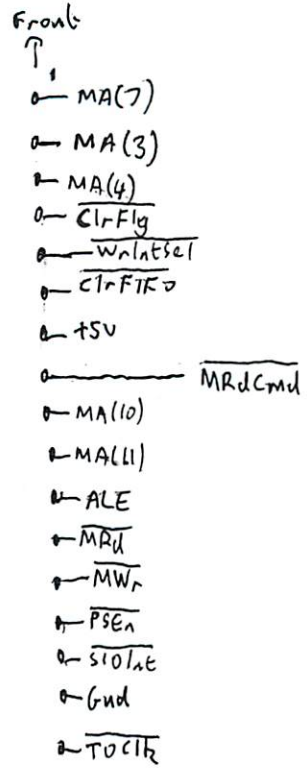
MP 98046



J1

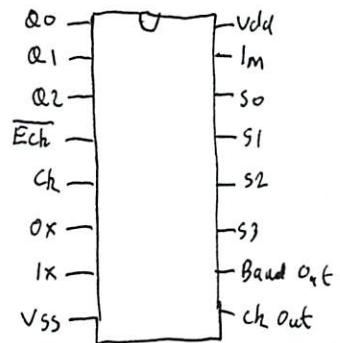
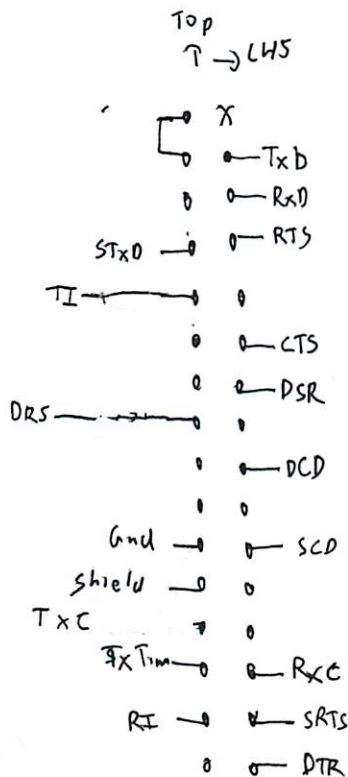


J2



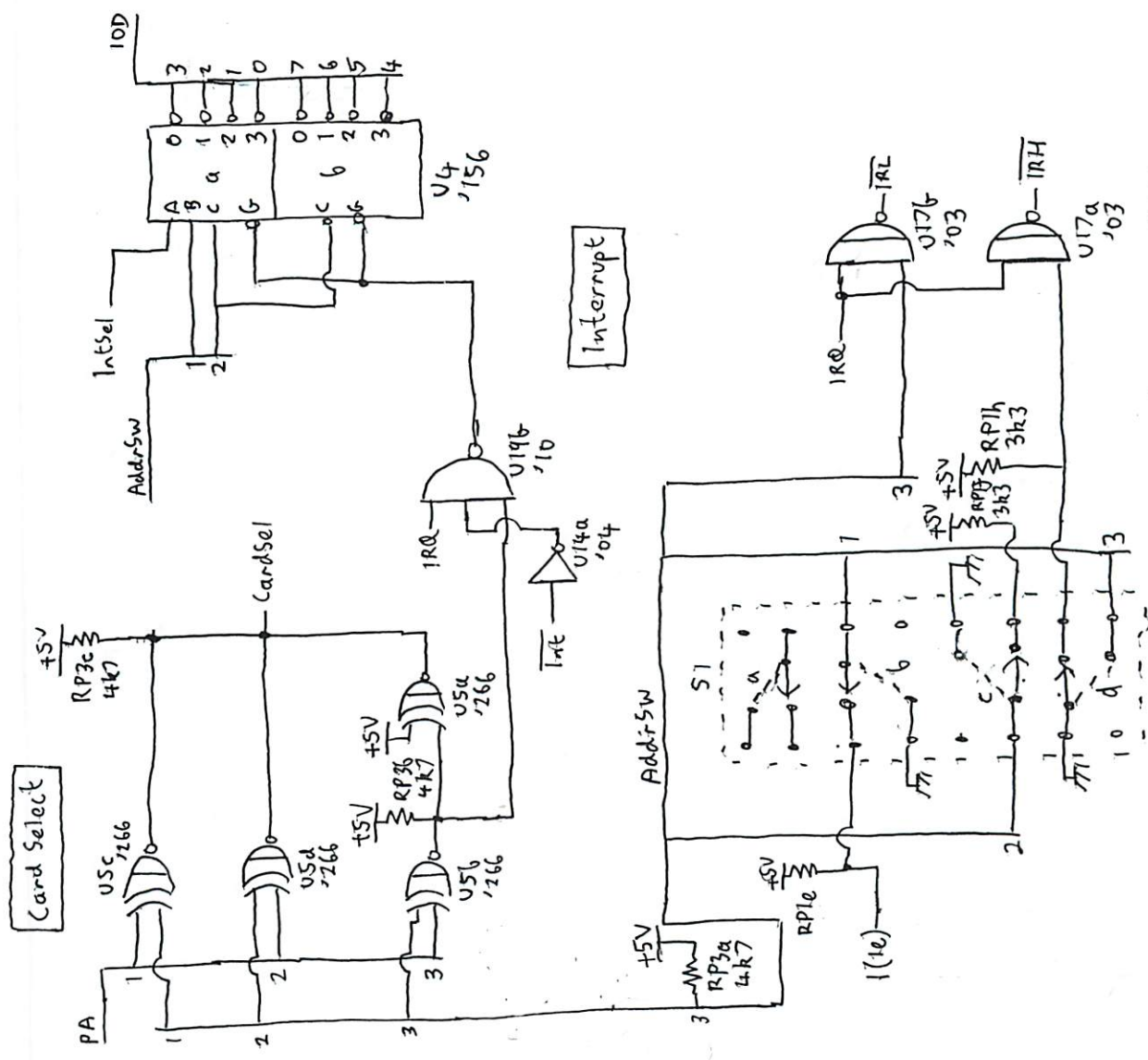
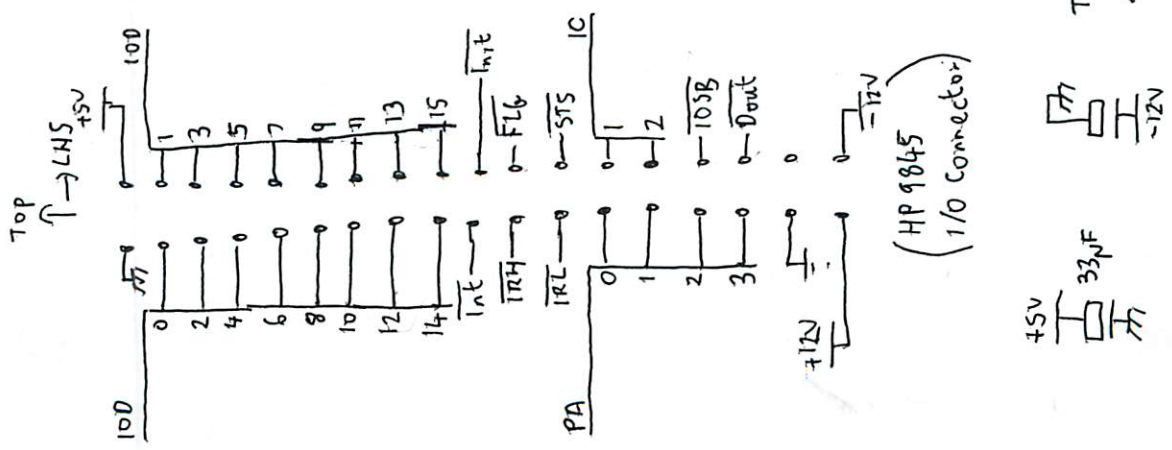
J3

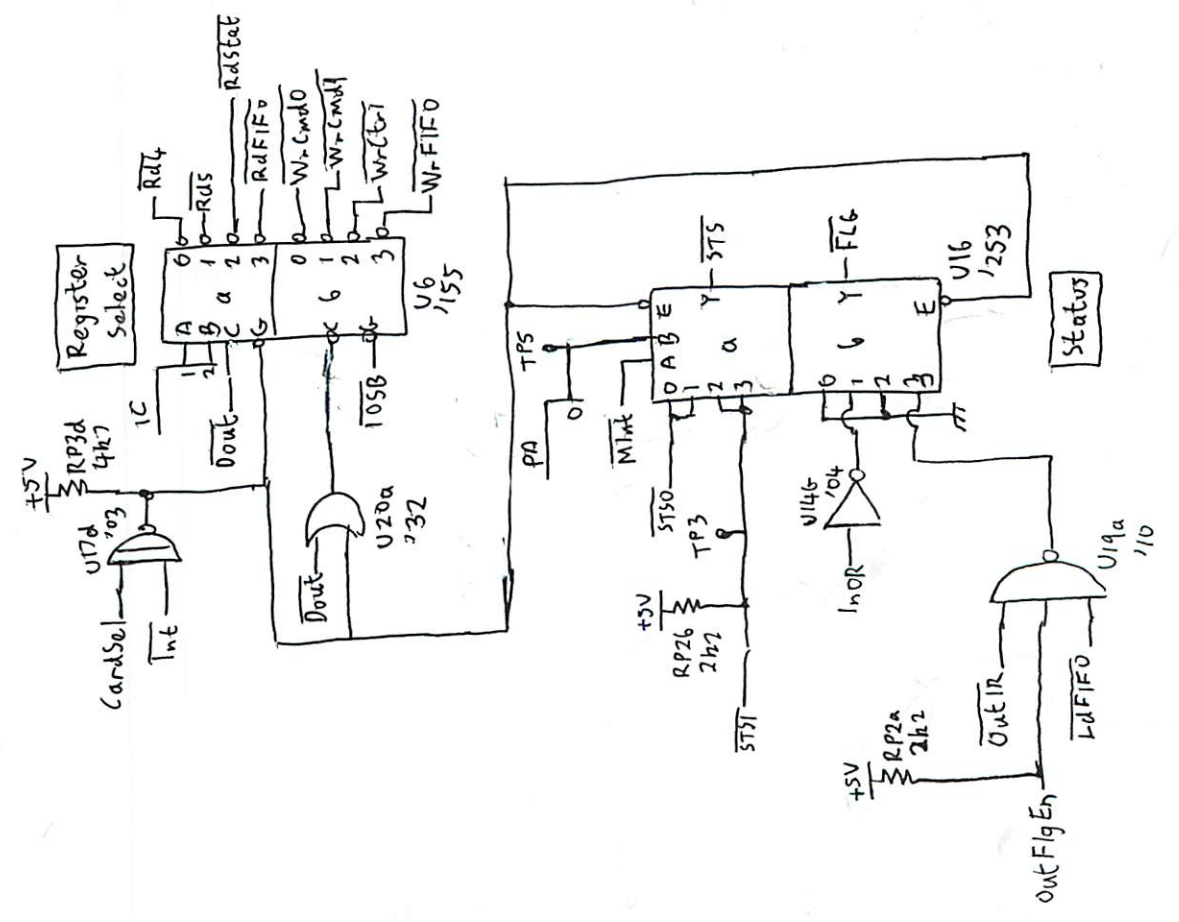
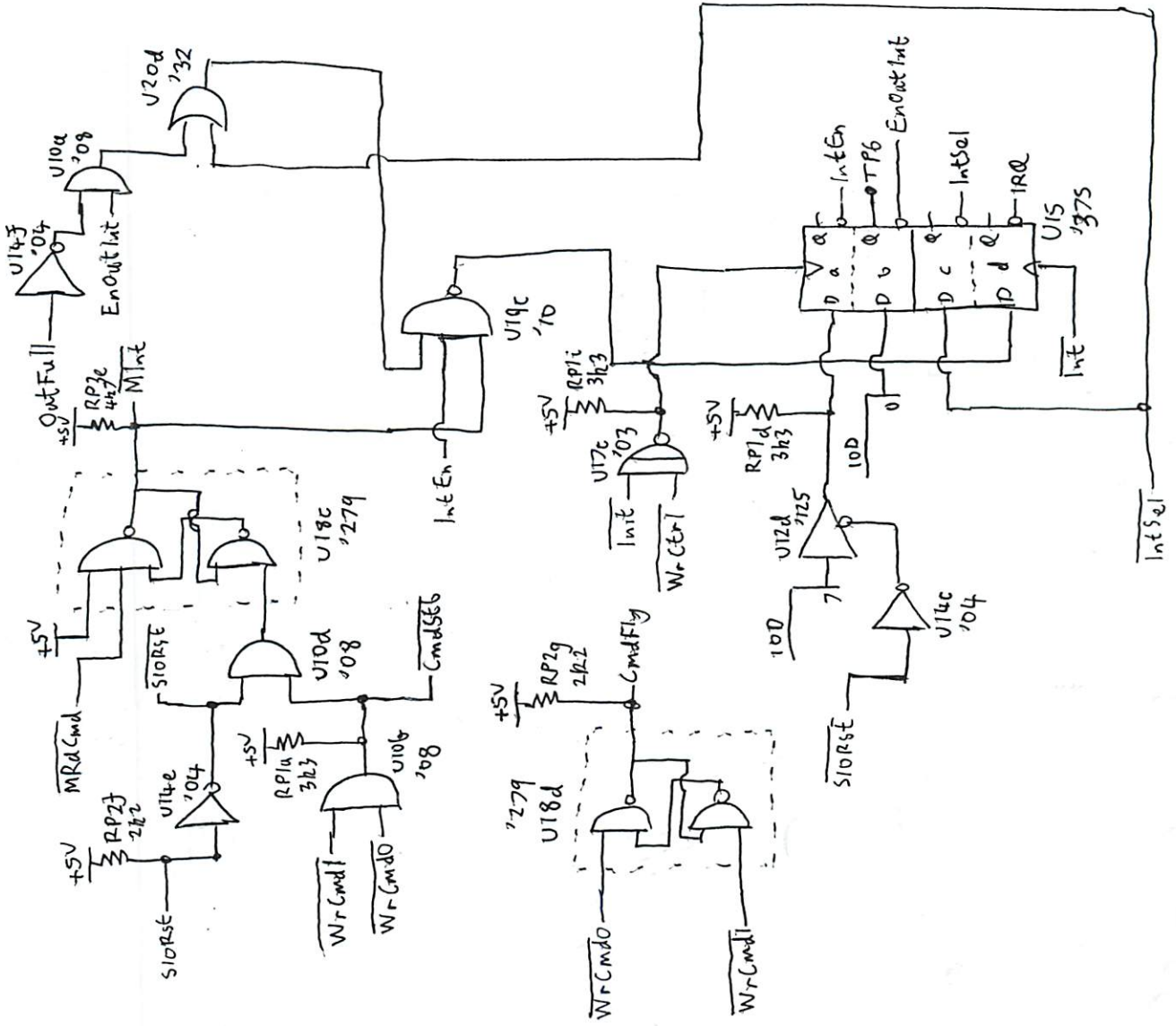
Interface PCB → Data PCB Pins

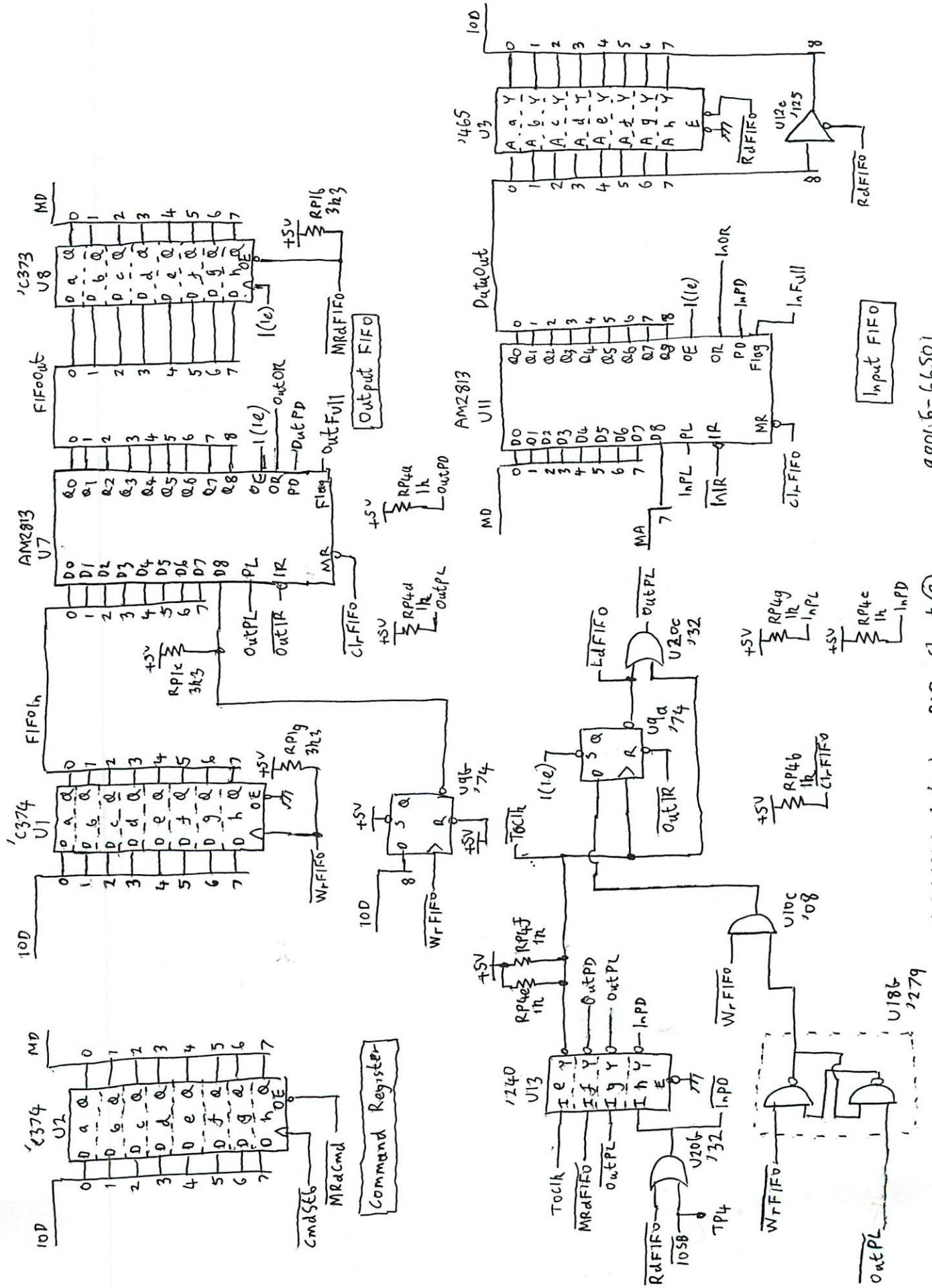


4702
Baud Rate
Generator

Data PCB → RS232 cable



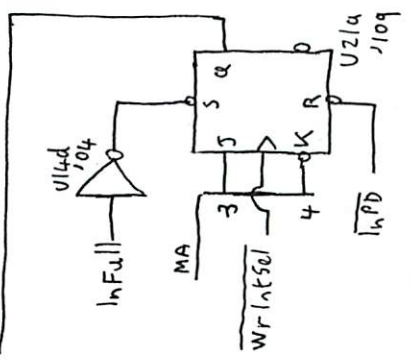
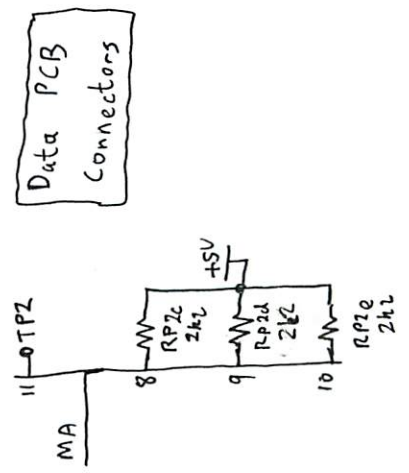
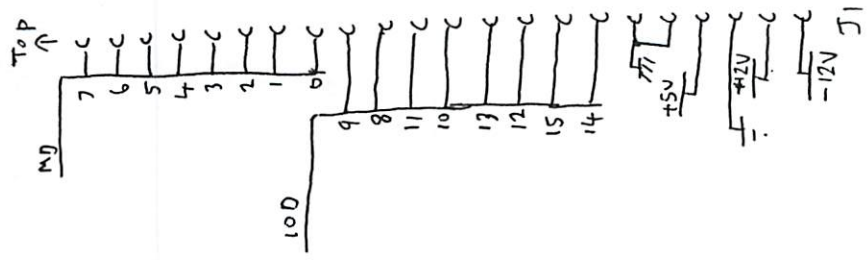
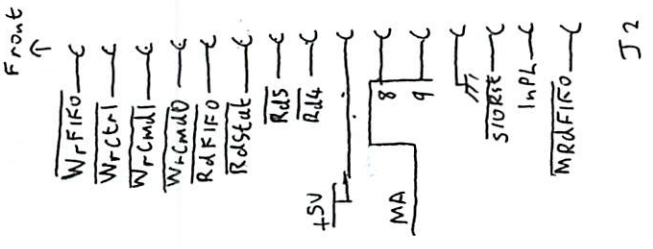
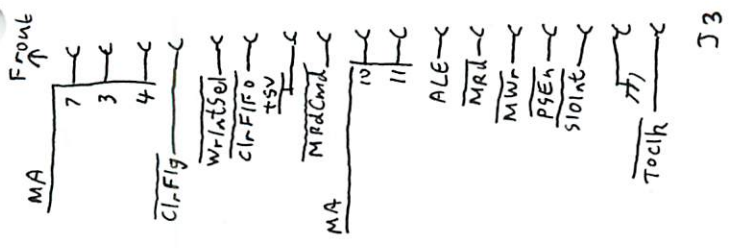
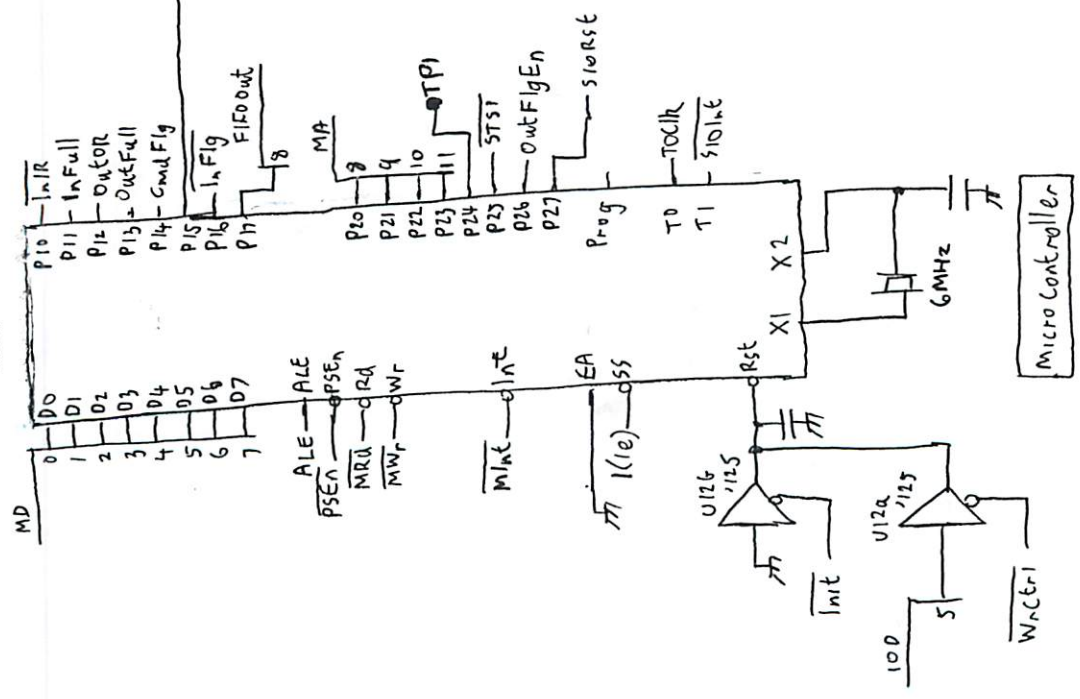


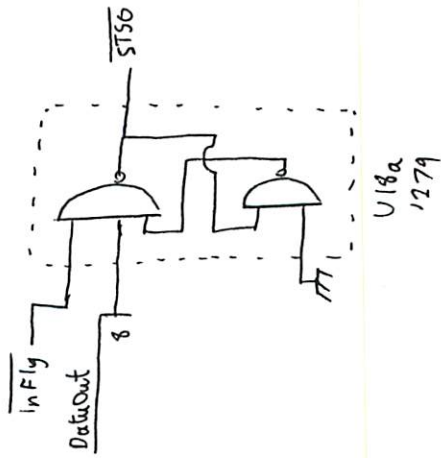
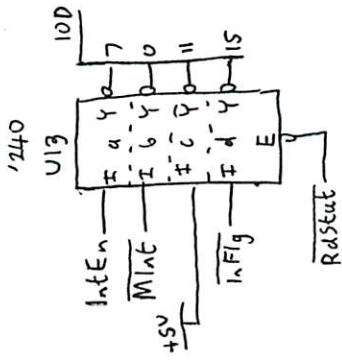
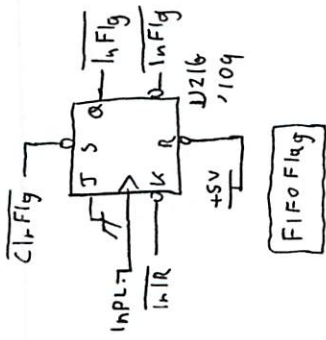


98046-66501

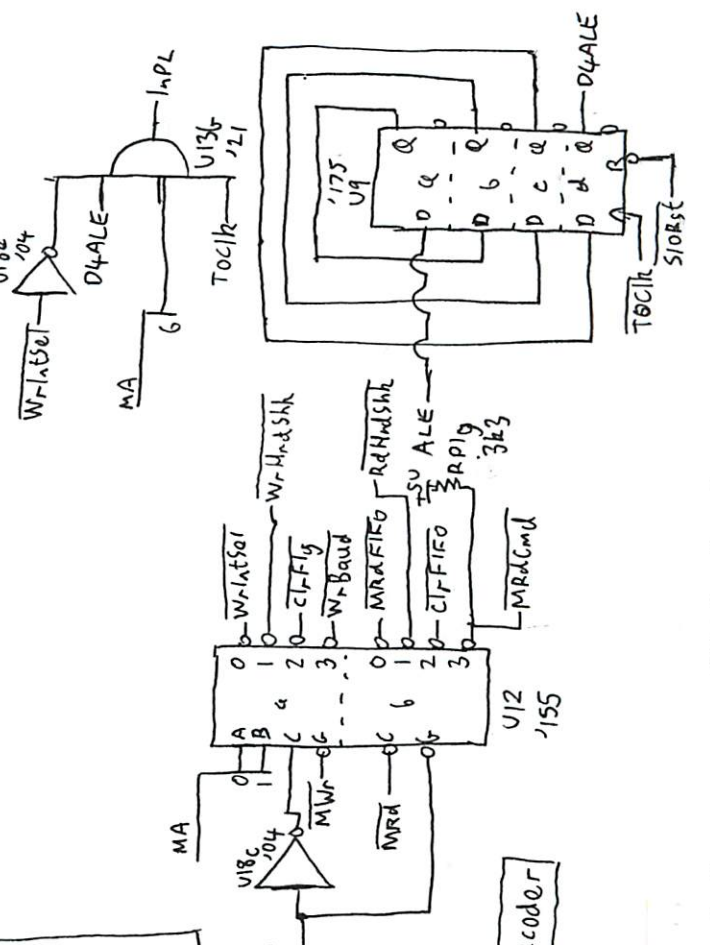
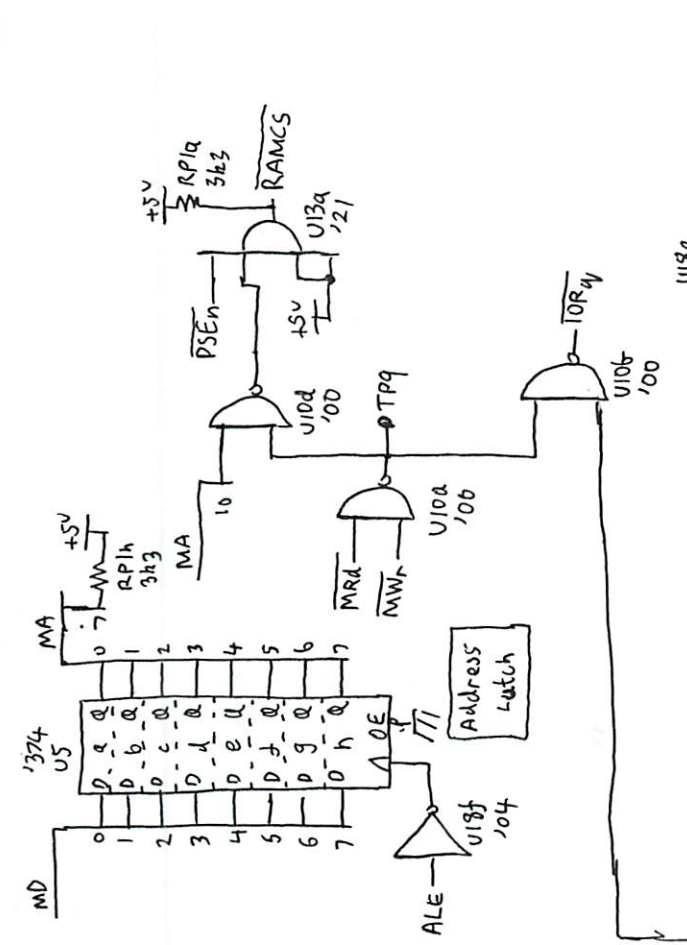
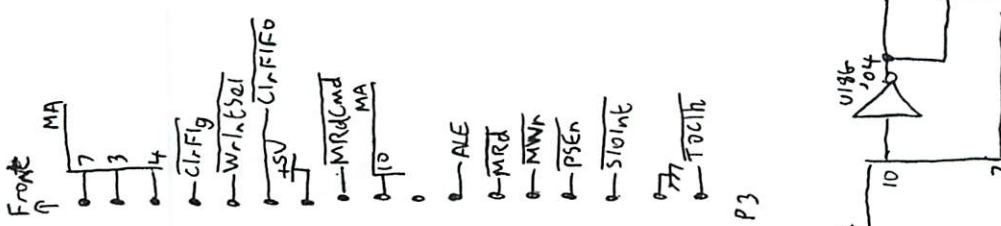
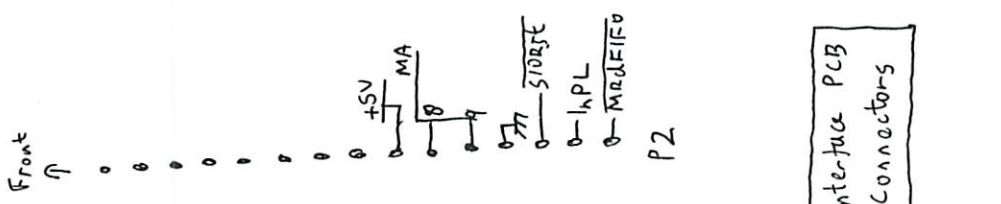
HP 98046 Interface PCB Sheet (3)

8048
U22

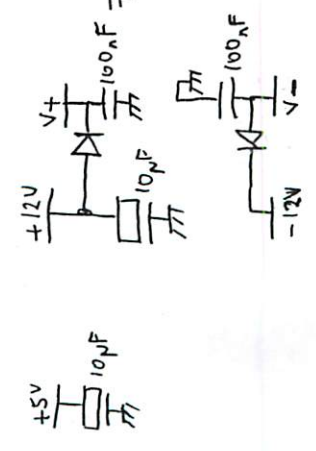


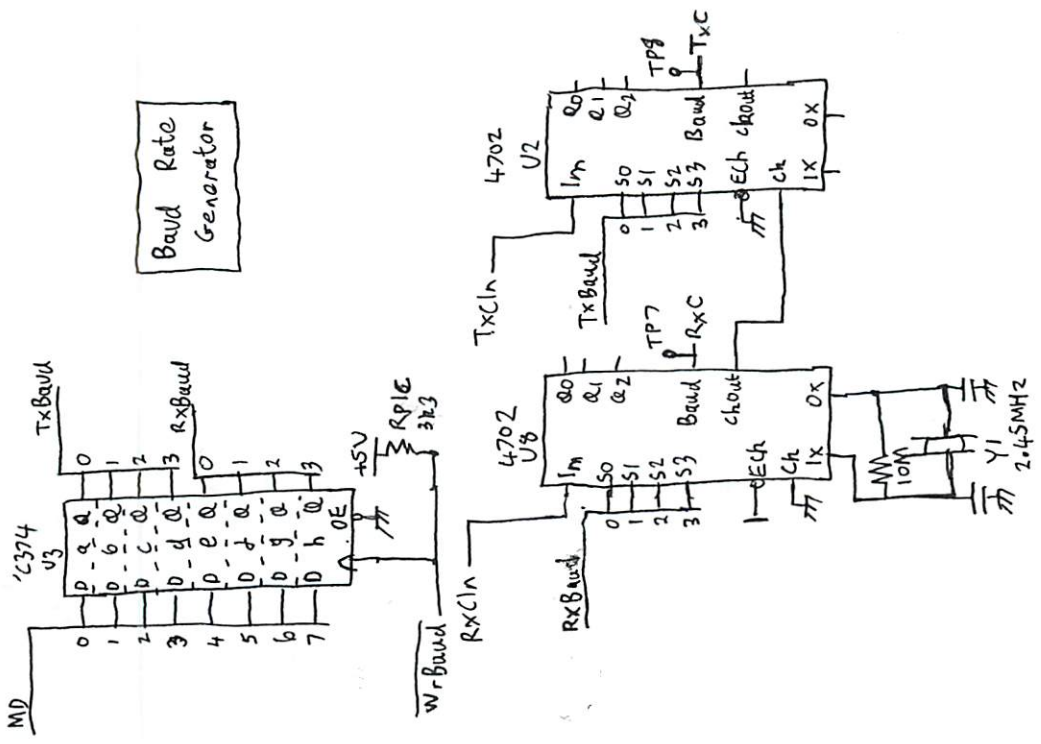


Status

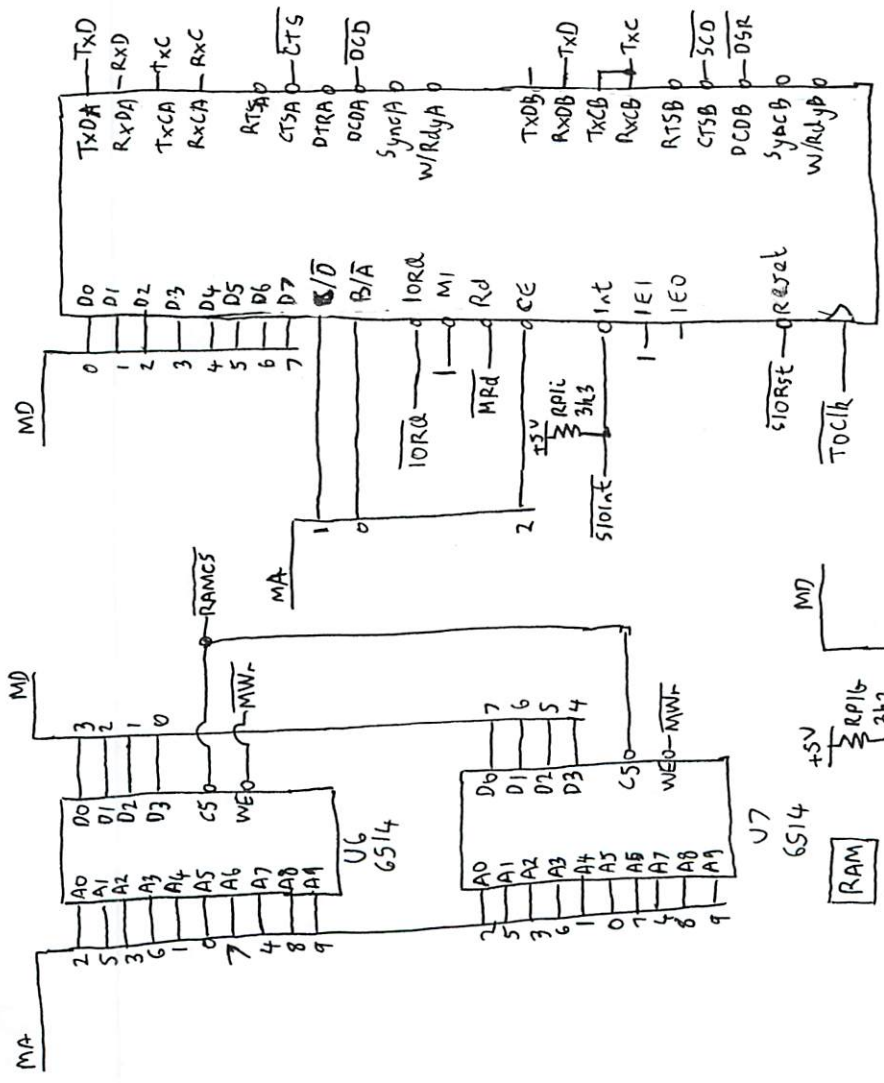


Interface PCB Connectors





Baud Rate Generator

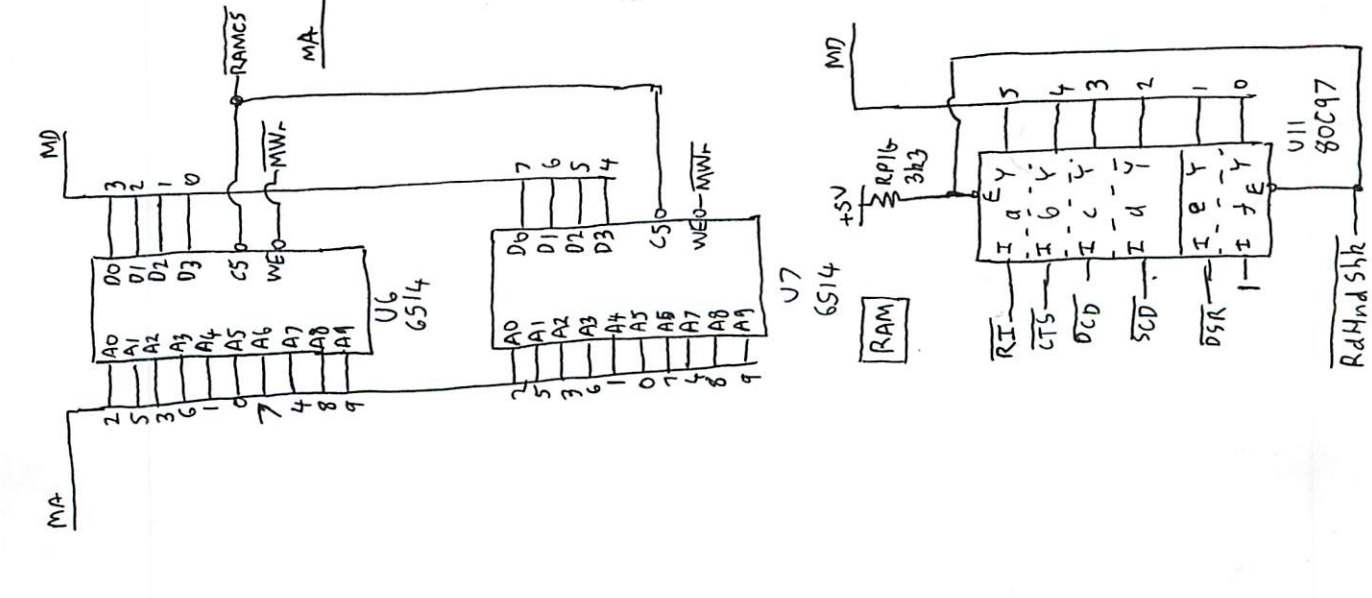
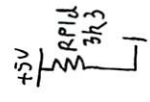


RAM

RAM

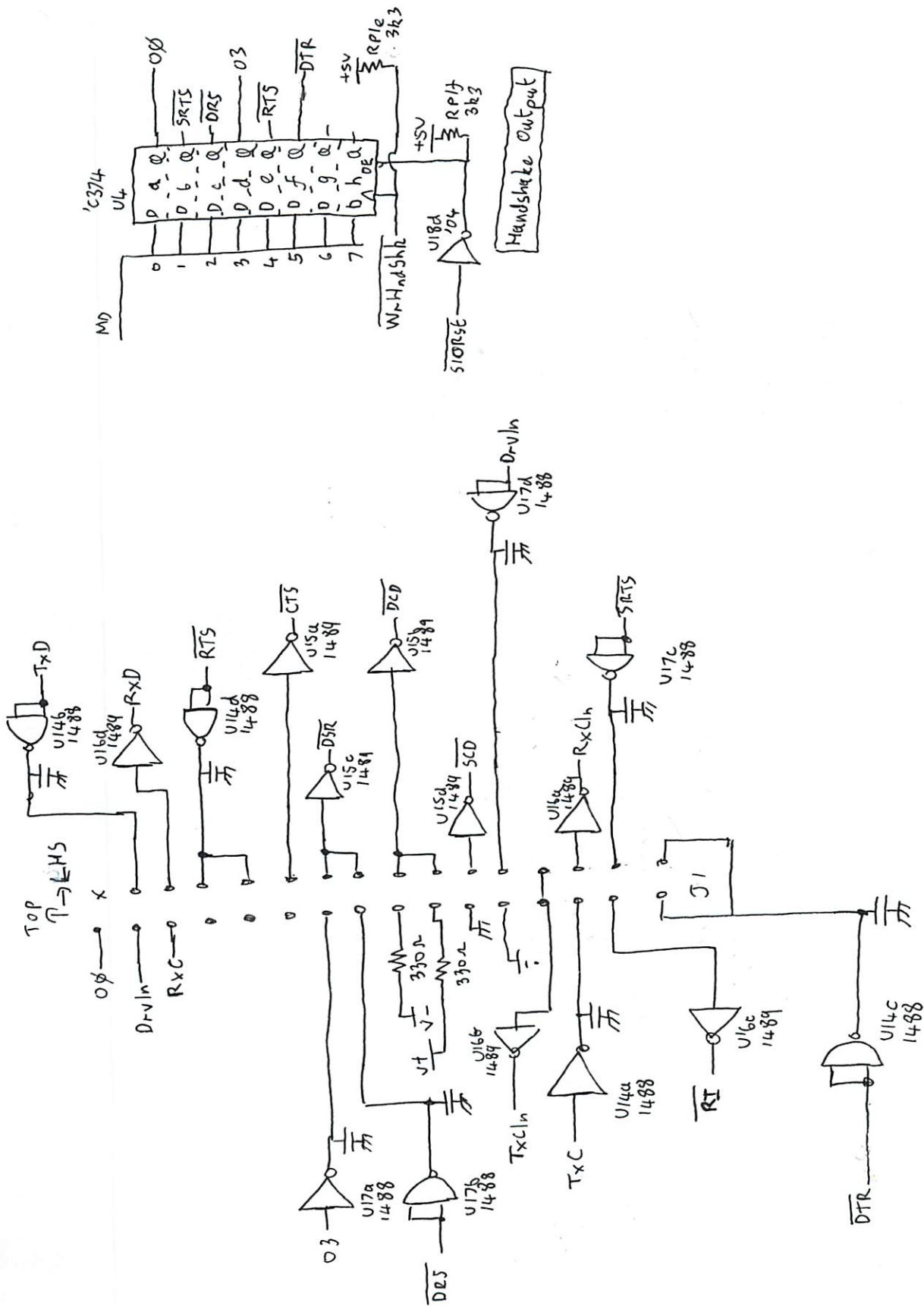
RAM

U1
Z80-510/1



98046-66502

HP98046 Data PCB Sheet 2



RS232 Interface

