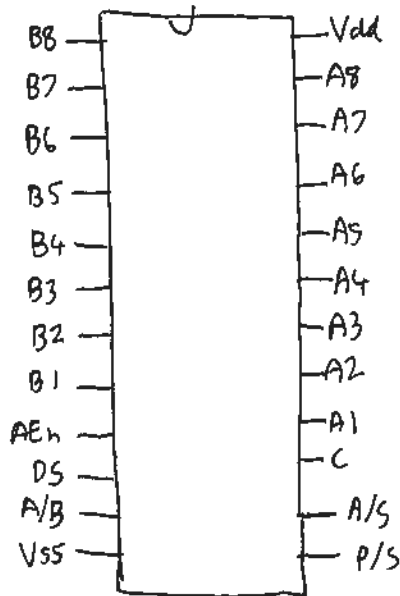


# MP98133



4034

8bit shift Register

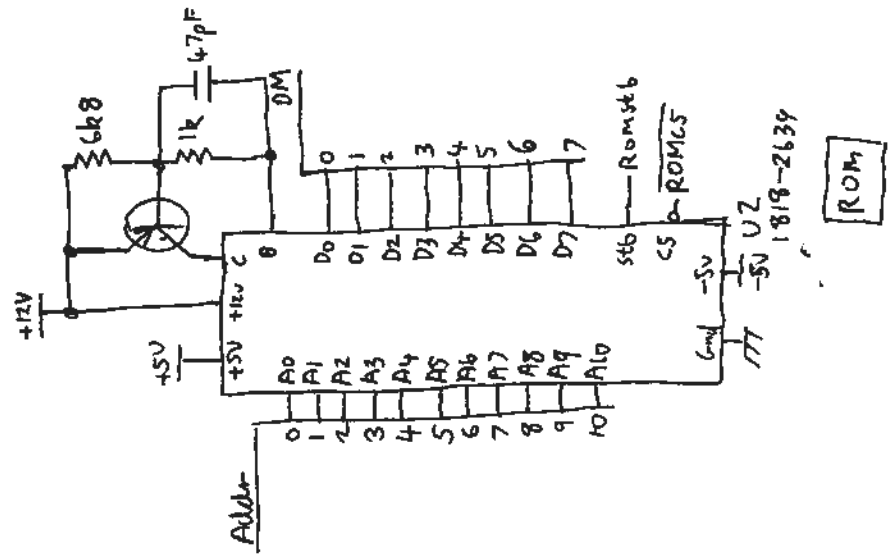
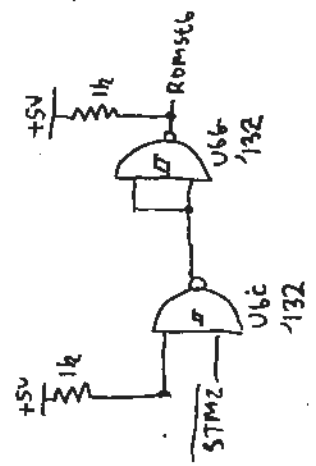
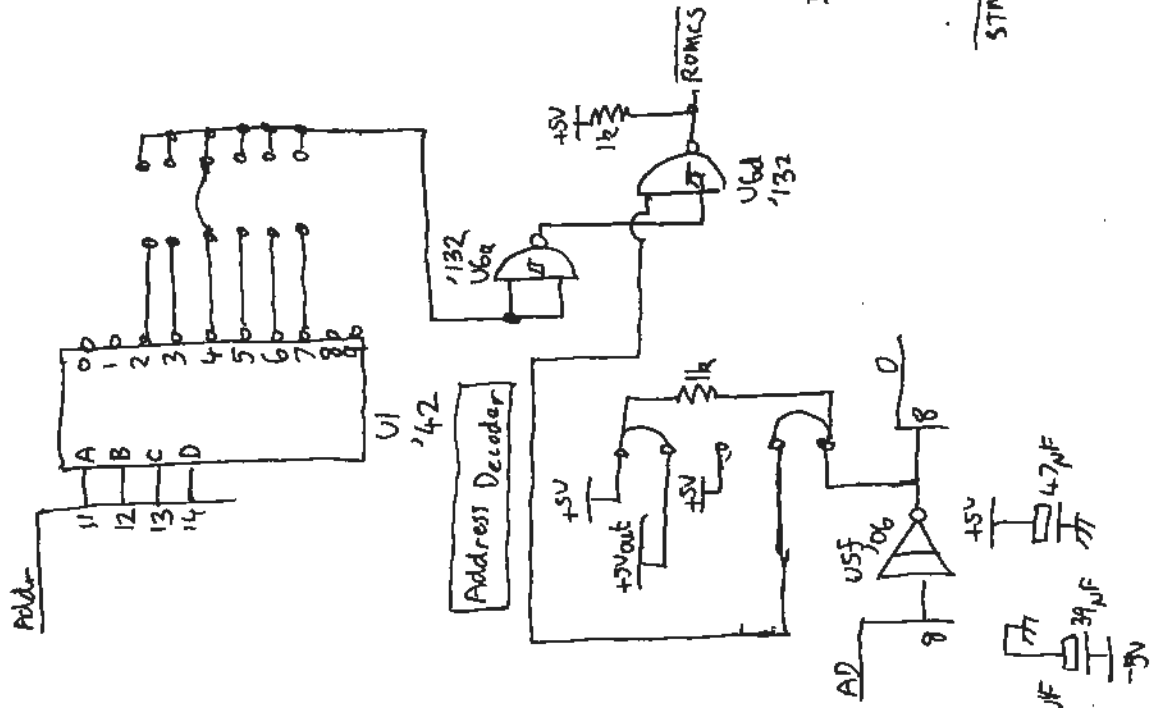
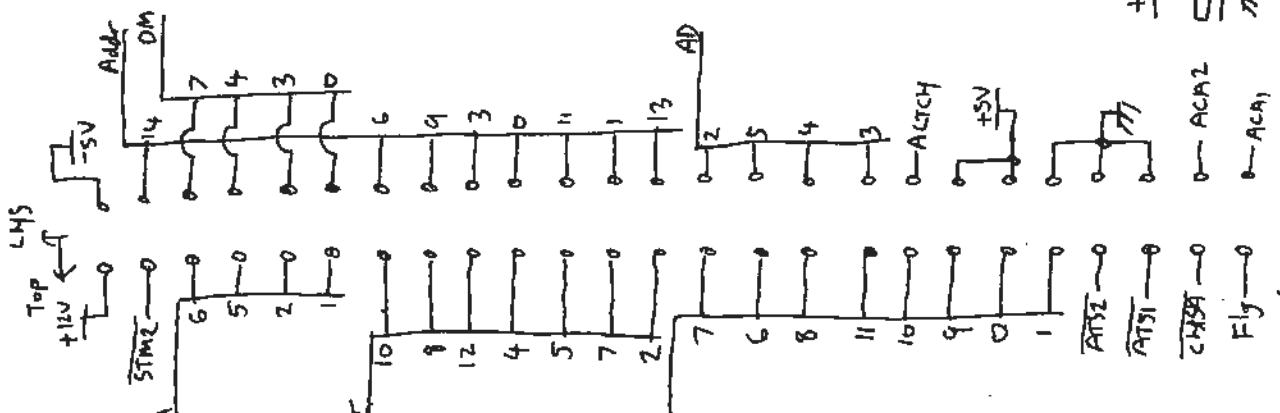
A/B    H: A → B  
          L: B → A

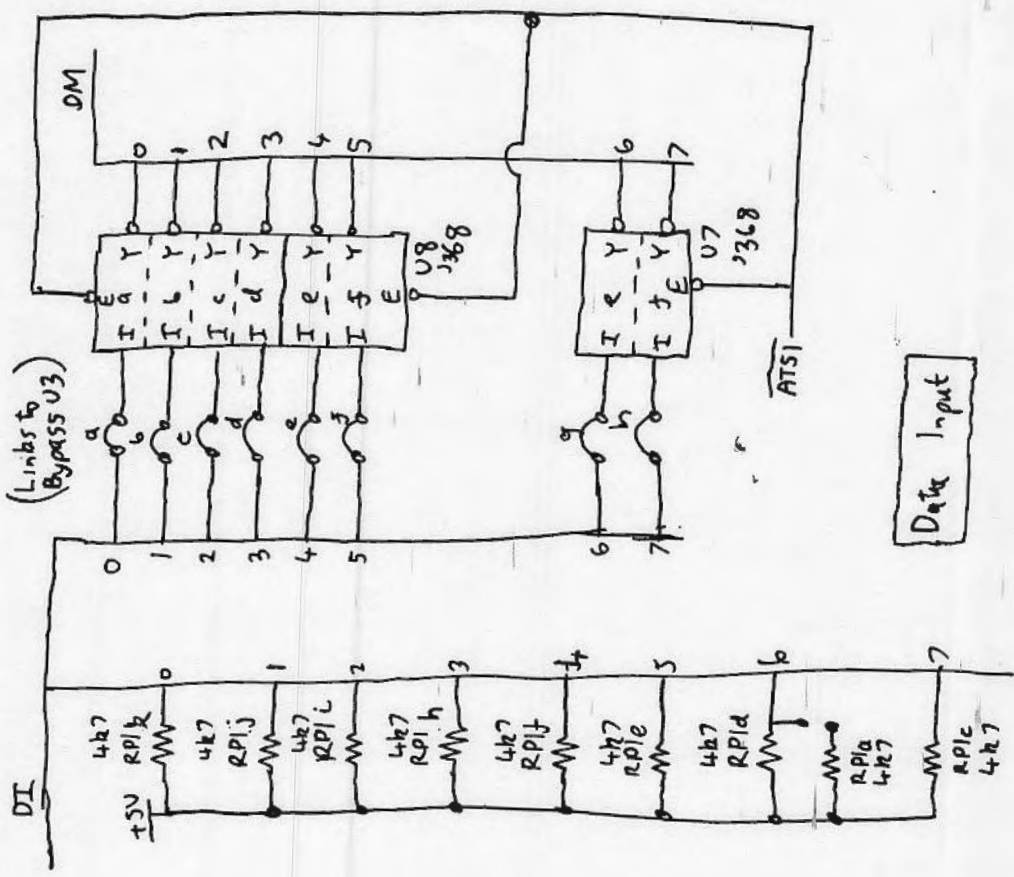
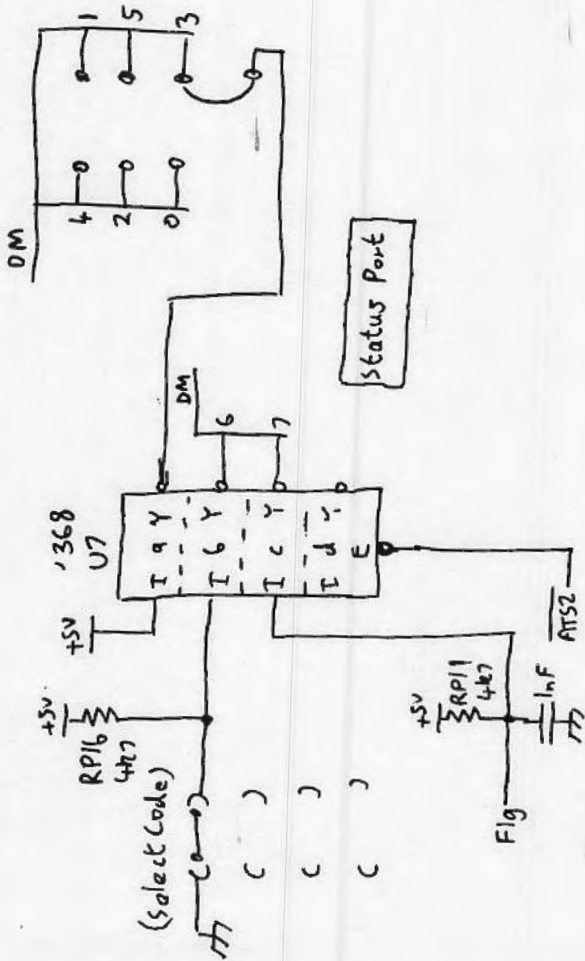
P/S    Data Input mode (Parallel/serial)

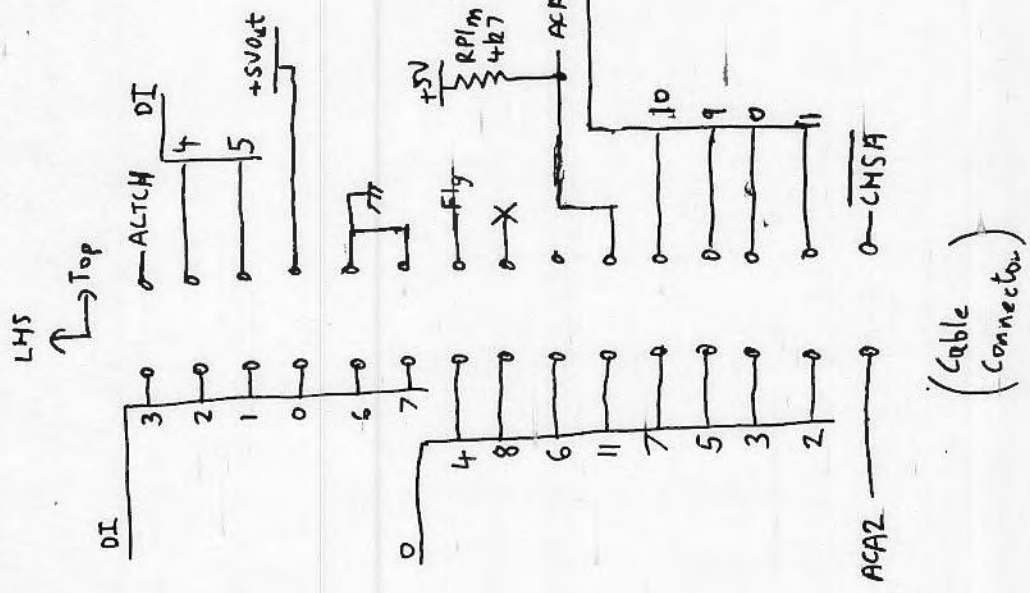
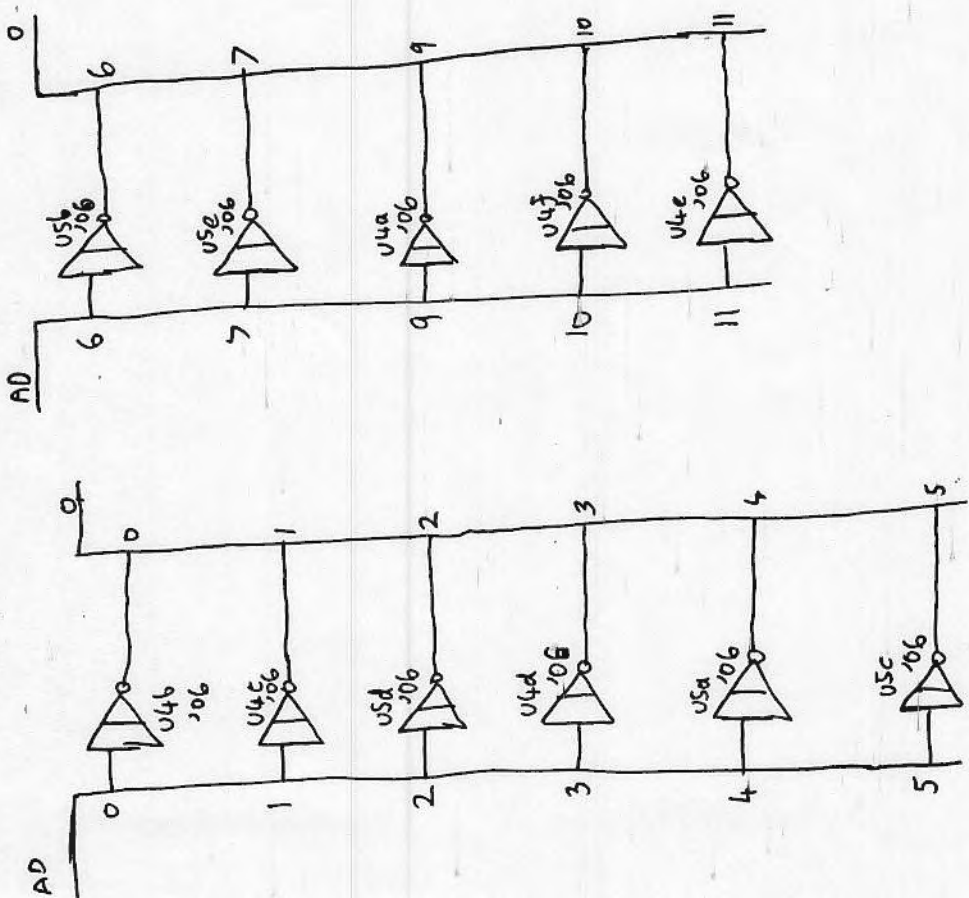
A/S    ASync/Sync

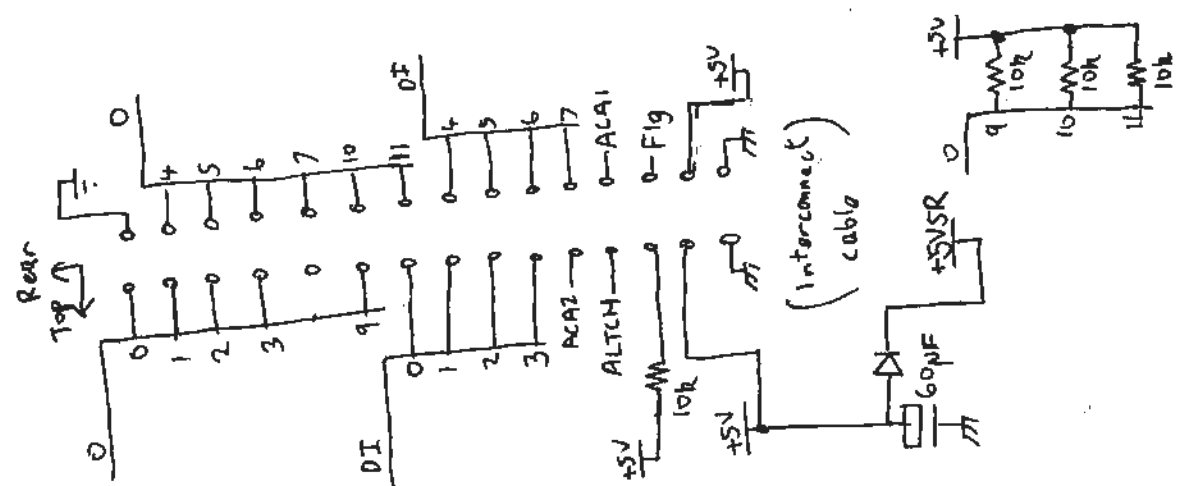
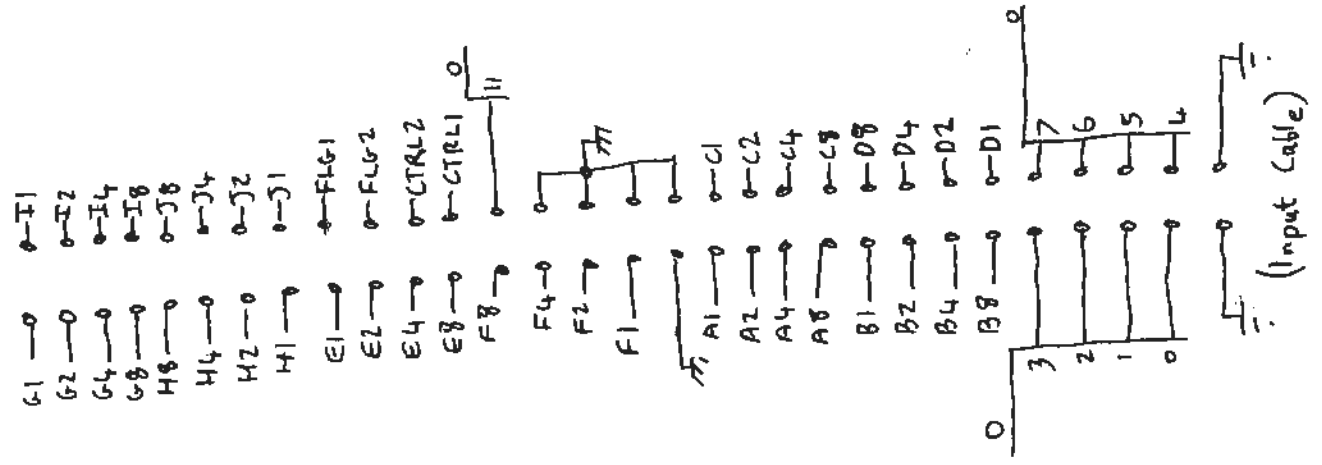
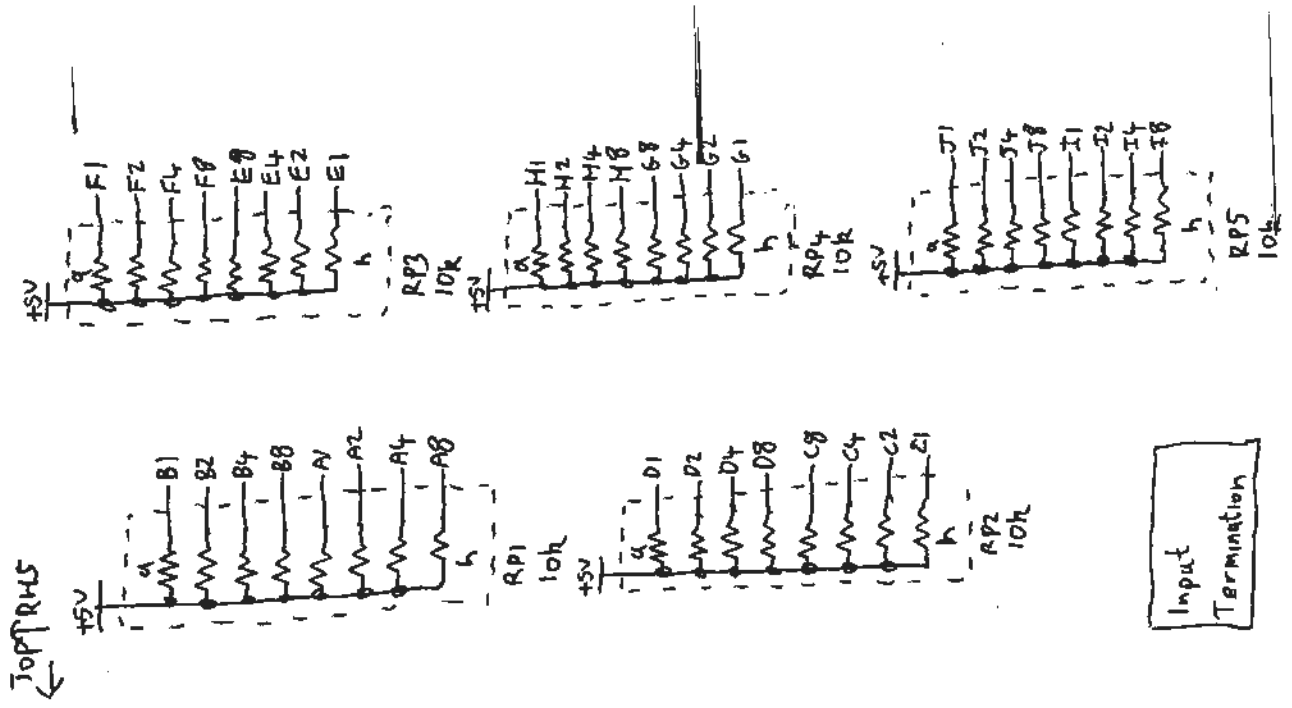
DS    Serial Data In

c      clock



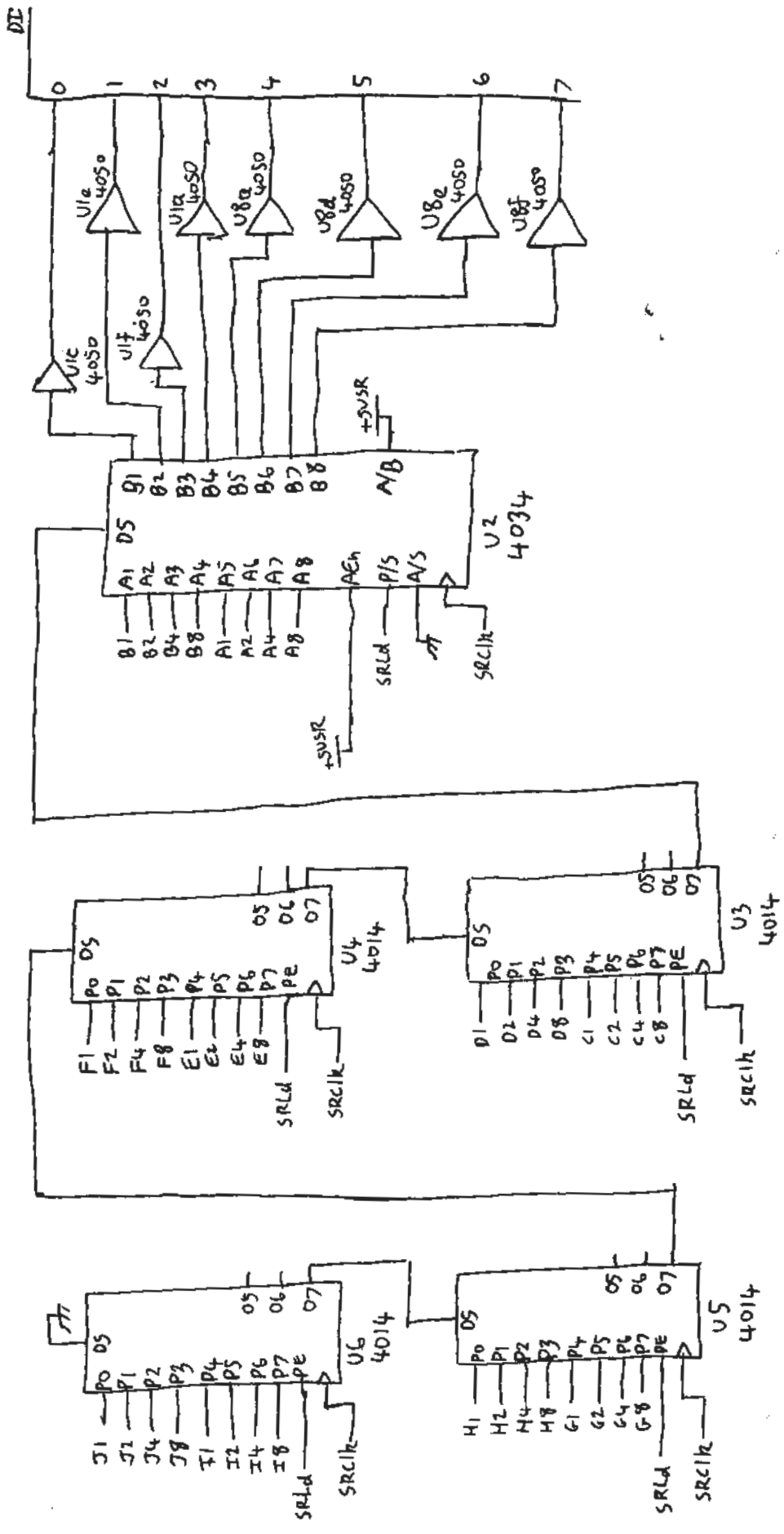




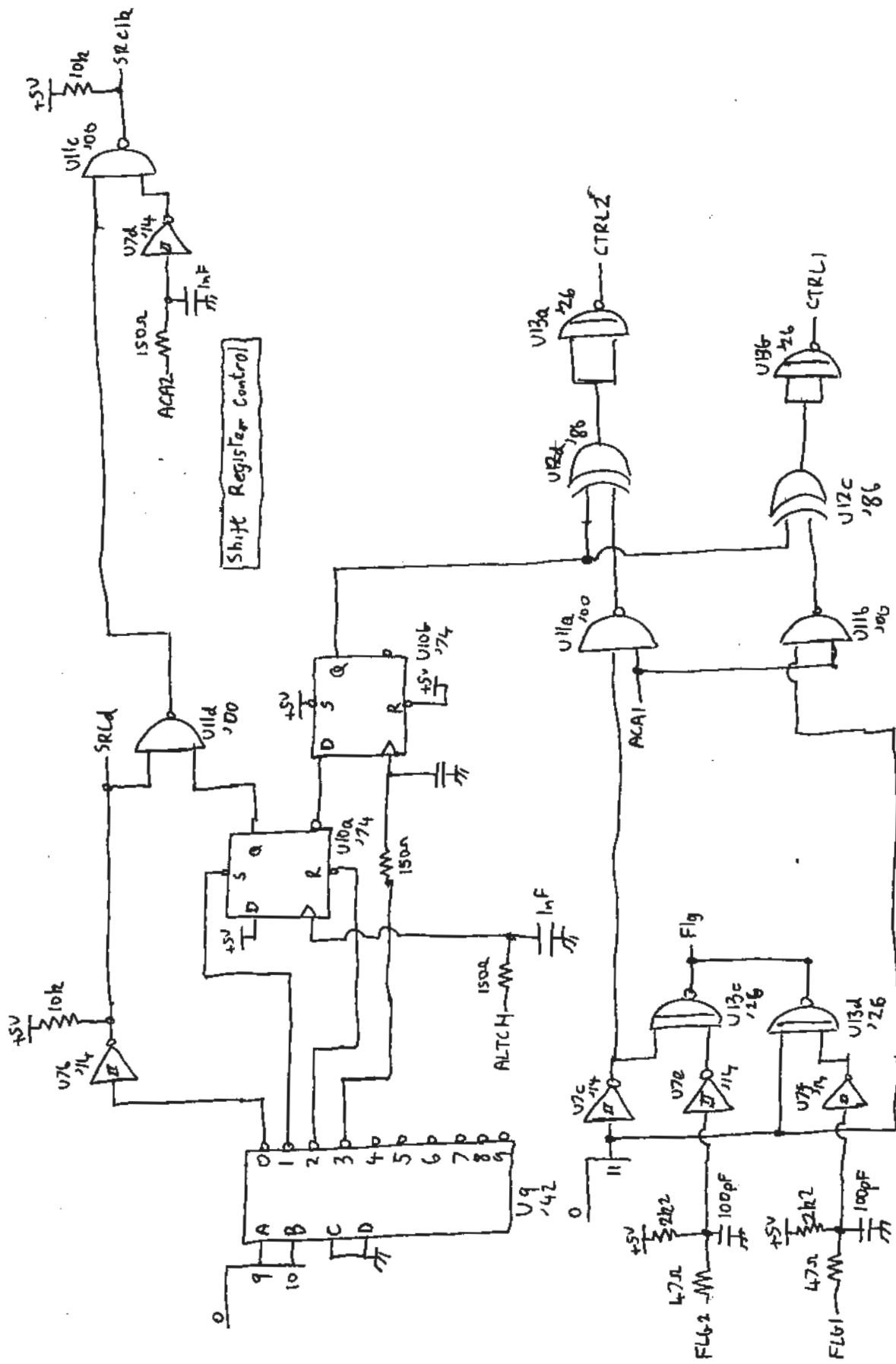


98133-66501

HP98133 BCD Interface Data PCB Sheet 1



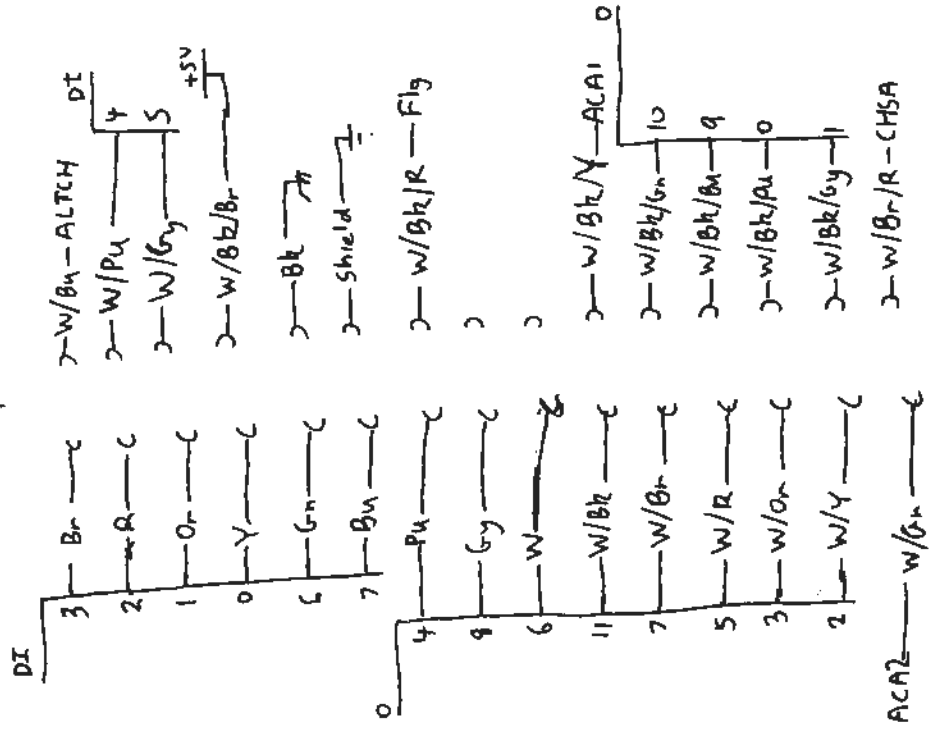
Data Shift Register



Shift Register Control

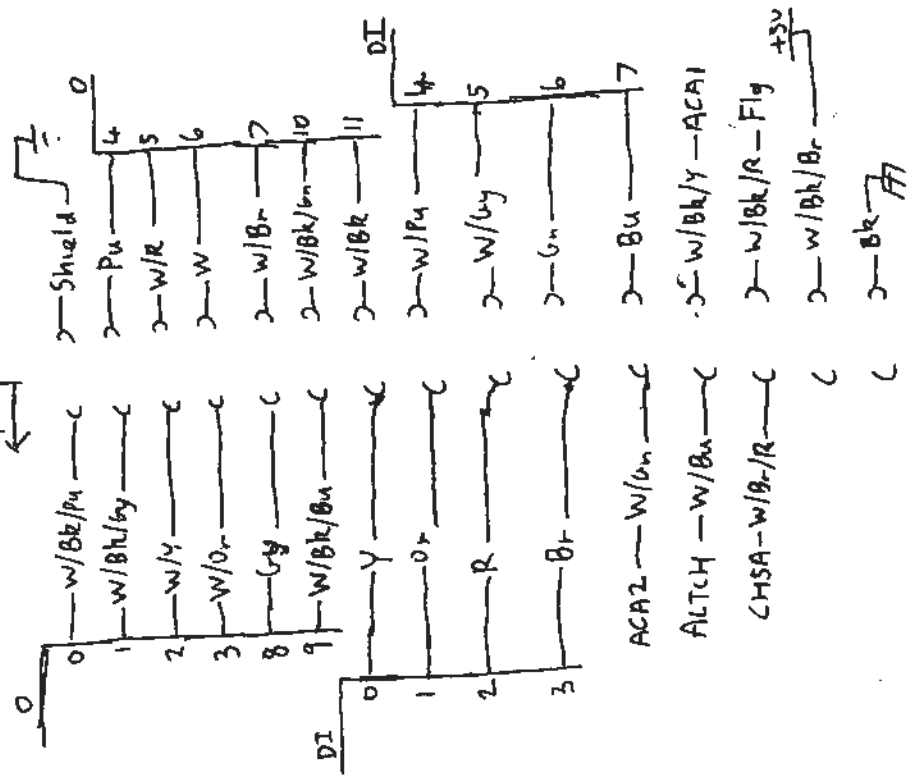
Hand Shake

LHS  
↑ → Top



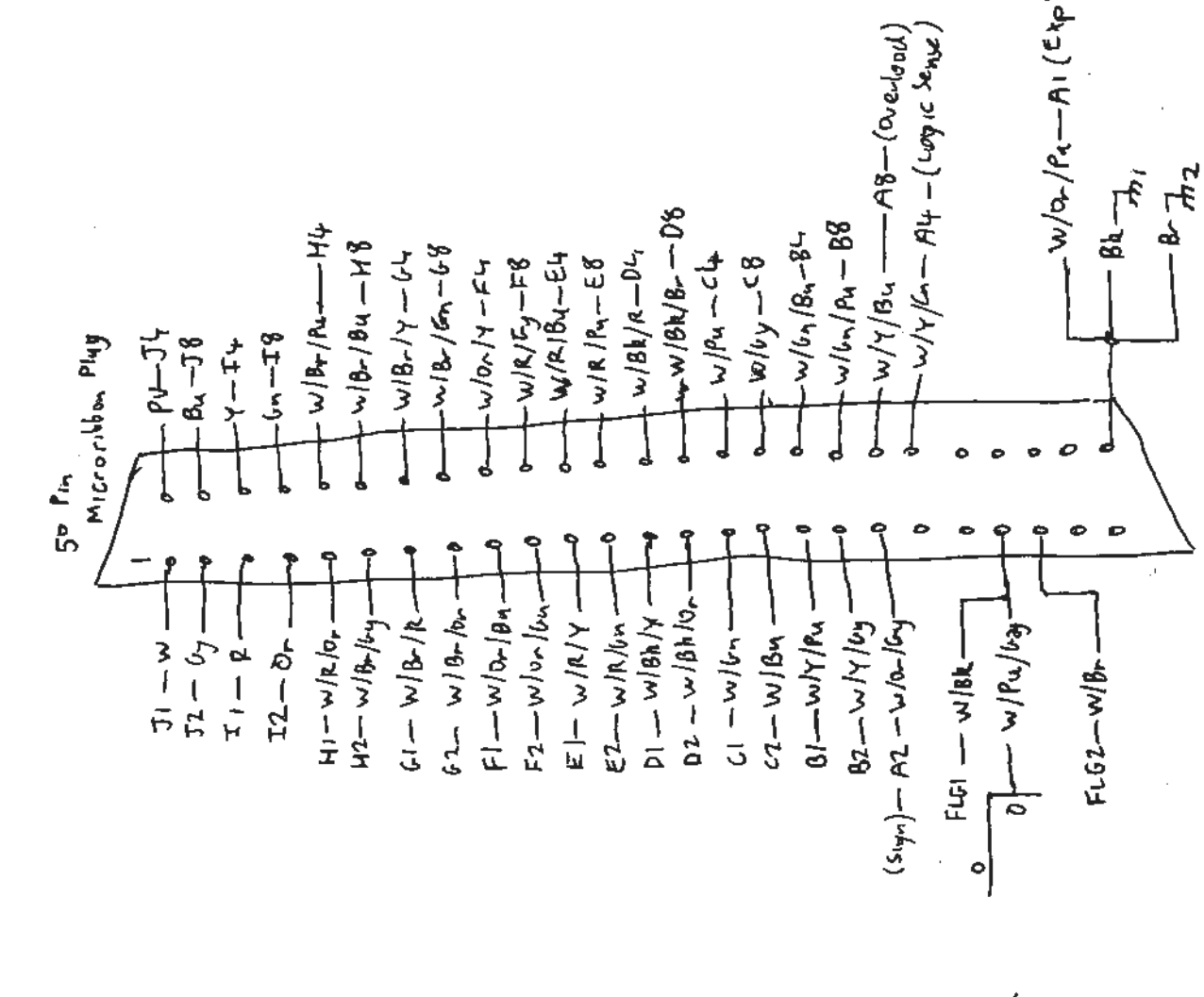
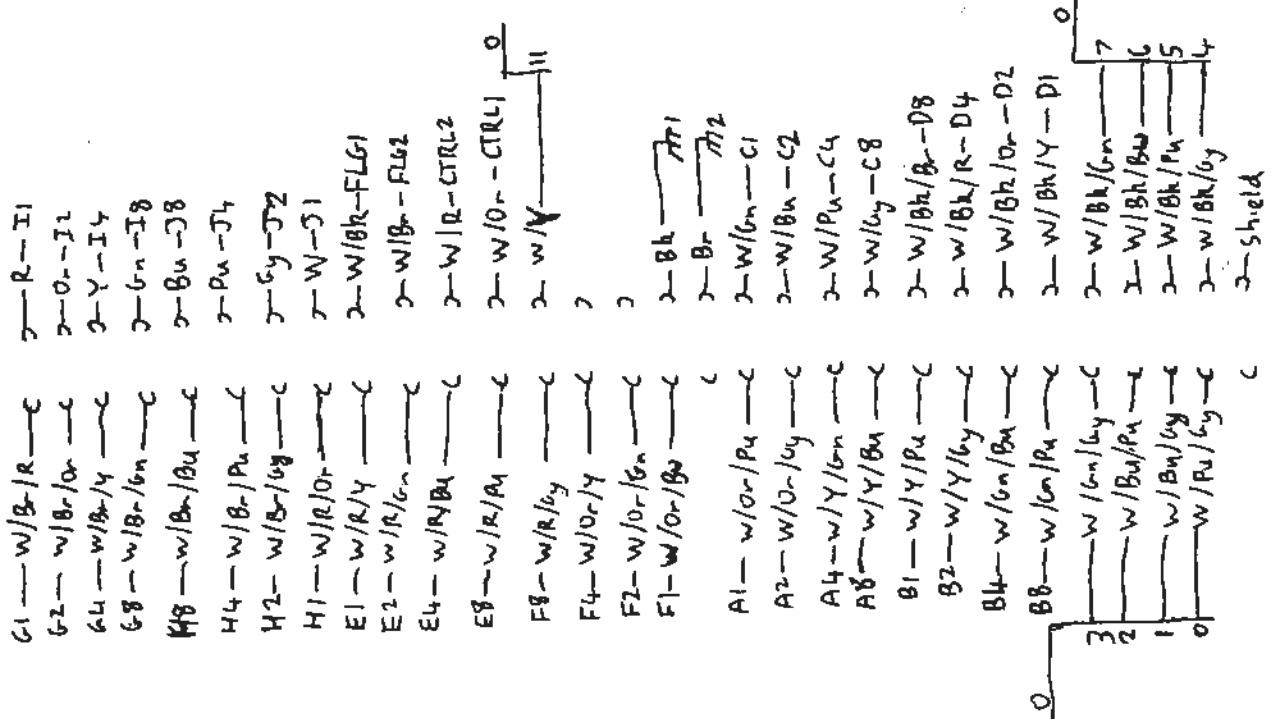
(ROM PCB)

Rear  
Top ↑



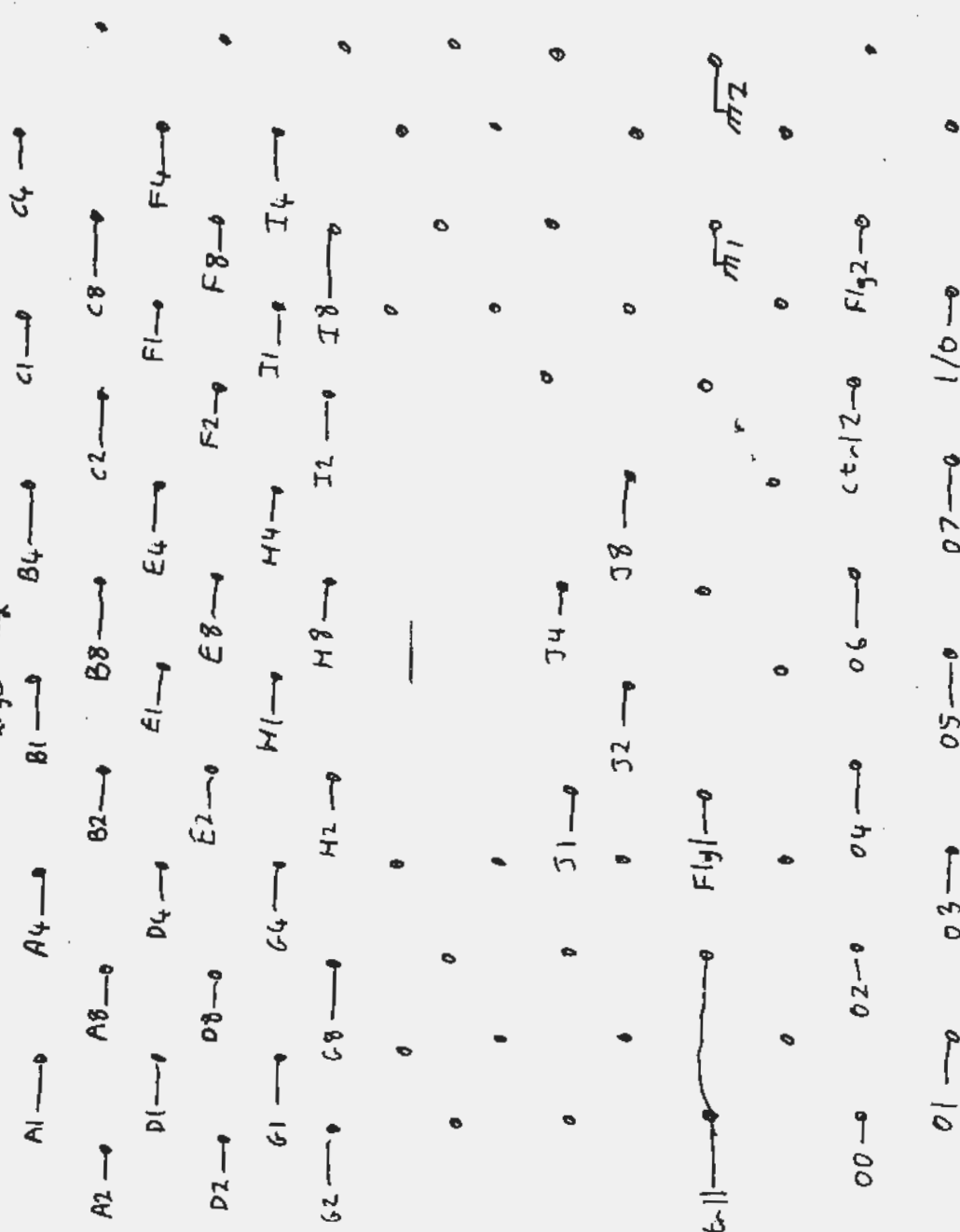
(Data PCB)





HP98133 BCD Interface Original Input Cable

Large Key



Small Key  
Plug Wire Side

(EDACS16-90 Plug)

- 61-w/Bk/R-C 2-R-I1
- 62-w/Bk/or-C 2-V-I2
- 64-w/Bk/Y-C 2-Y-I4
- 68-w/Bk/Gn-C 2-Gn-I8
- H8-w/Bk/Bu-C 2-Bk-I8
- H4-w/Bk/Pu-C 2-Pu-I4
- H2-w/Bk/Gy-C 2-Gy-I2
- H1-w/R/or-C 2-w-I1
- E1-w/R/Y-C 2-w/Bk-Fig1
- E2-w/R/Gn-C 2-w/Bk-Fig2
- E4-w/R/Bu-C 2-w/R-C6-12
- E8-w/R/Pu-C 2-w/or-C6-11
- F8-w/R/Gy-C 2-w/Y-I/0
- F4-w/or/Y-C
- F2-w/or/Gn-C
- F1-w/or/Bk-C
- 2-Bk-M1
- 2-Bk-M2
- 2-w/or-C1
- A1-w/or/Pu-C 2-w/Bk-C2
- A2-w/or/Gy-C 2-w/Pu-C4
- A4-w/Y/Gn-C 2-w/Gy-C8
- B1-w/Y/Bk-C 2-w/Bk/Bk-D8
- B2-w/Y/Gy-C 2-w/Bk/R-D4
- B4-w/Gn/Bk-C 2-w/Bk/or-D2
- B8-w/Gn/Pu-C 2-w/Bk/Y-O1
- O3-w/Gn/Gy-C 2-w/Bk/Gn-O7
- O2-w/Bk/Pu-C 2-w/Bk/Bk-O6
- O1-w/Bk/Gy-C 2-w/Bk/Pu-O5
- 00-w/Pu/Gy-C 2-w/Bk/Gy-O4
- Shield