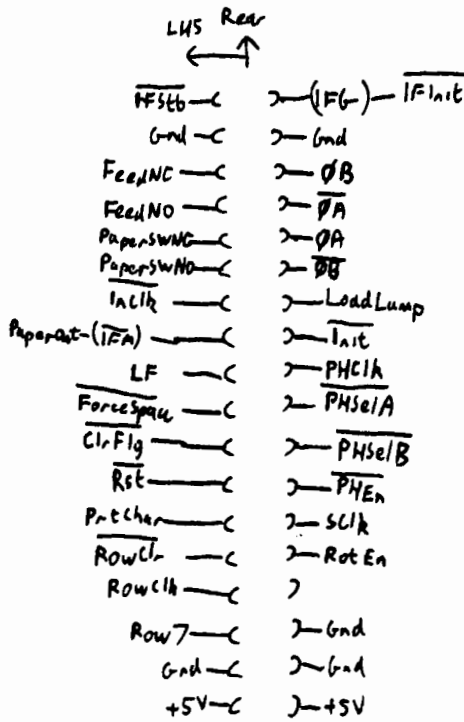
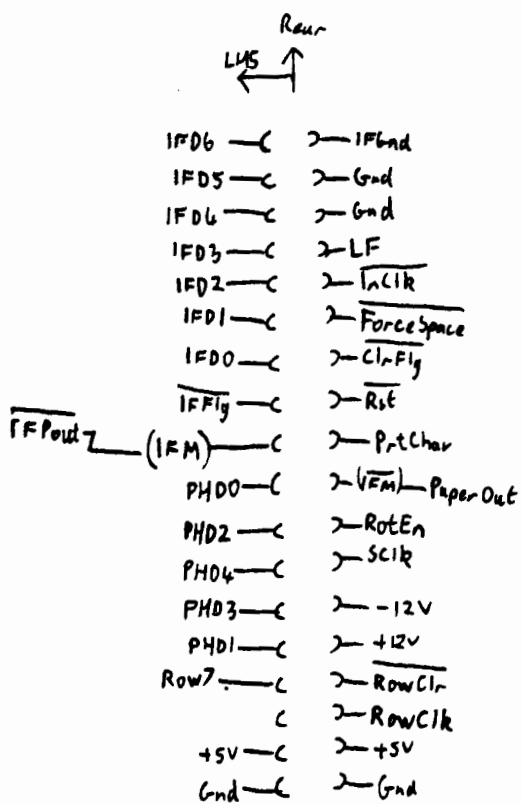
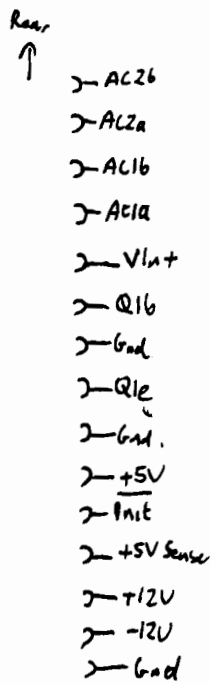
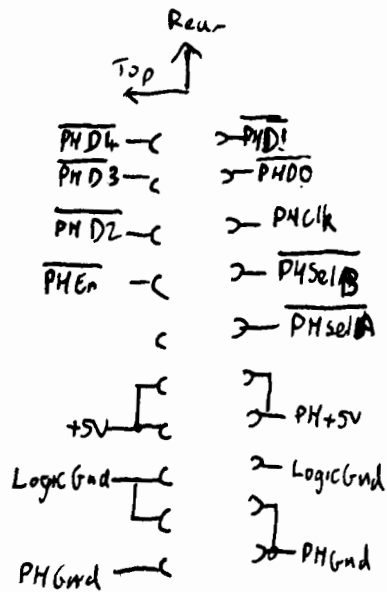


9866 Printer



# 4866 Printer

↑ Rear

- 2-AC6C
- 2-AC3A
- 2-AC3B
- 2
- 2-Logic Gnd
- 2
- 2-a- $\overline{\phi A}$
- 2-b- $\overline{\phi B}$
- 2-c- $\phi A$
- 2-d- $\phi B$

Motor Driver  
04866-66505

↑ Rear

- 2-12V
- 2-+12V
- 2-+5V
- 2-Logic Gnd
- 2
- 2-Q2b
- 2
- 2
- 2-Q2e
- 2-V+
- 2
- 2
- 2-V-, Dia
- 2
- 2-PH+
- 2
- 2-PH Gnd
- 2
- 2-Q2c, D1k

Printhead PSU  
04866-66504

Rear  
↑ → Top

- |                             |               |
|-----------------------------|---------------|
| $\phi B$ - d - C            | 2-Paper SW 0  |
| $\overline{\phi A}$ - a - C | 2-Paper SW NC |
| $\phi A$ - c - C            | 2-Feed NO     |
| $\overline{\phi B}$ - b - C | 2-Feed NC     |
| 2                           | 2             |
| Logic Gnd                   | 2-Q1c, Vin+   |
| AC2b - C                    | 2-Q1b         |
| AC2a - C                    | 2             |
| AC1b - C                    | 2-Q1e         |
| AC1a - C                    | 2-+5V - FP    |
| +12V - C                    | 2-+5V         |
| -12V - C                    | 2-+5V PHPSU   |
| Paper SW Gnd - C            | 2-Gnd - FP    |
| Motor Dr Gnd - C            | 2-Gnd - PHPSU |
| PHPSU Gnd - C               | 2-Gnd - Vin   |
| Vin - Gnd - C               |               |

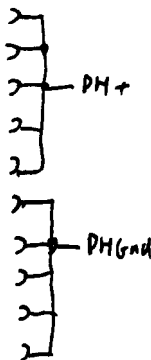
Backplane → Chassis

RHS  
↑ Top

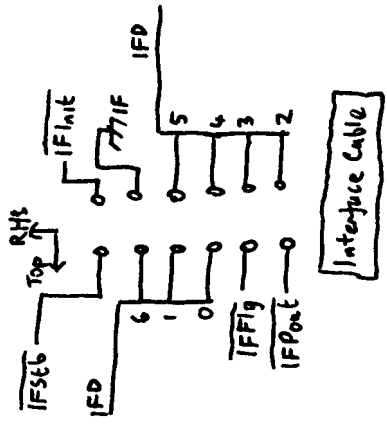
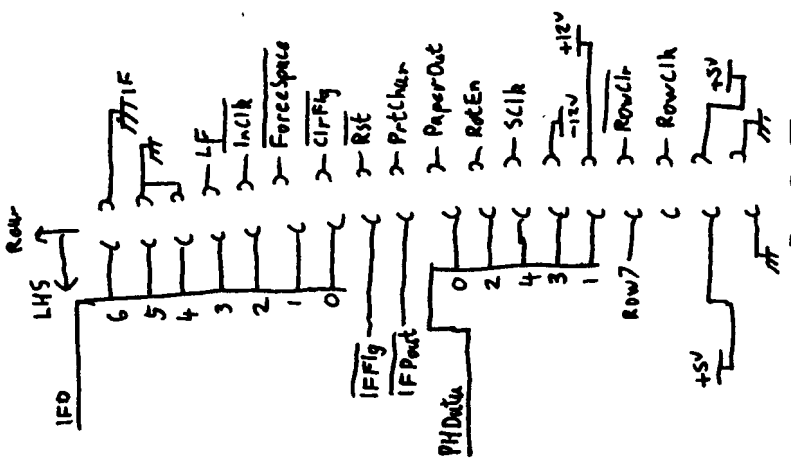
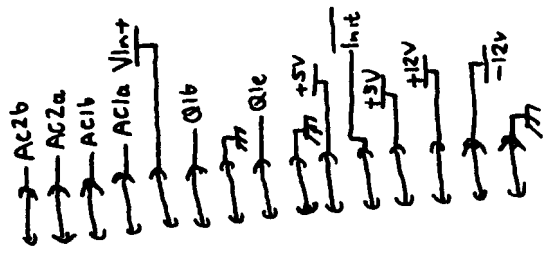
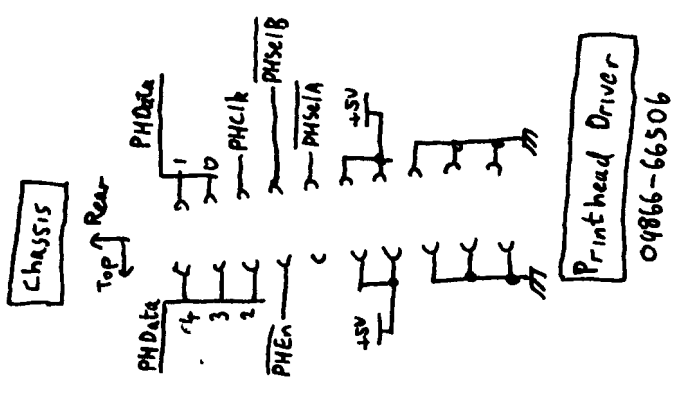
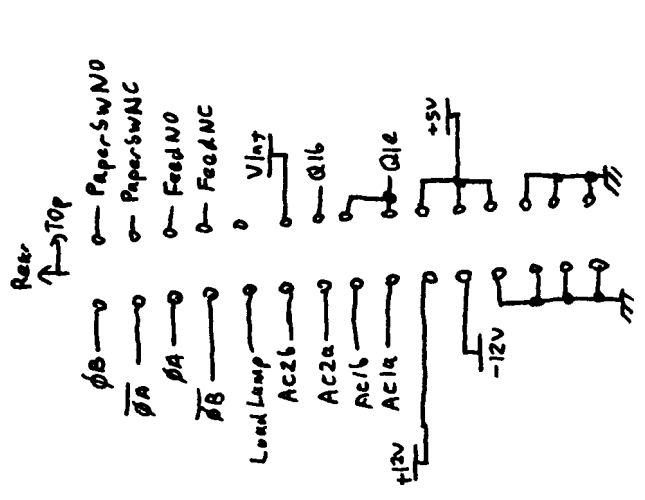
- |            |           |
|------------|-----------|
| STB A - C  | 2-G - Int |
| D6 C - C   | 2-V Gnd   |
| D1 E - C   | 2-L DS    |
| D0 F - C   | 2-K 04    |
| Fig H - C  | 2-J D3    |
| Port M - C | 2-D D2    |

Interface → Backplane.

↑ Rear



PH Driver → Chassis



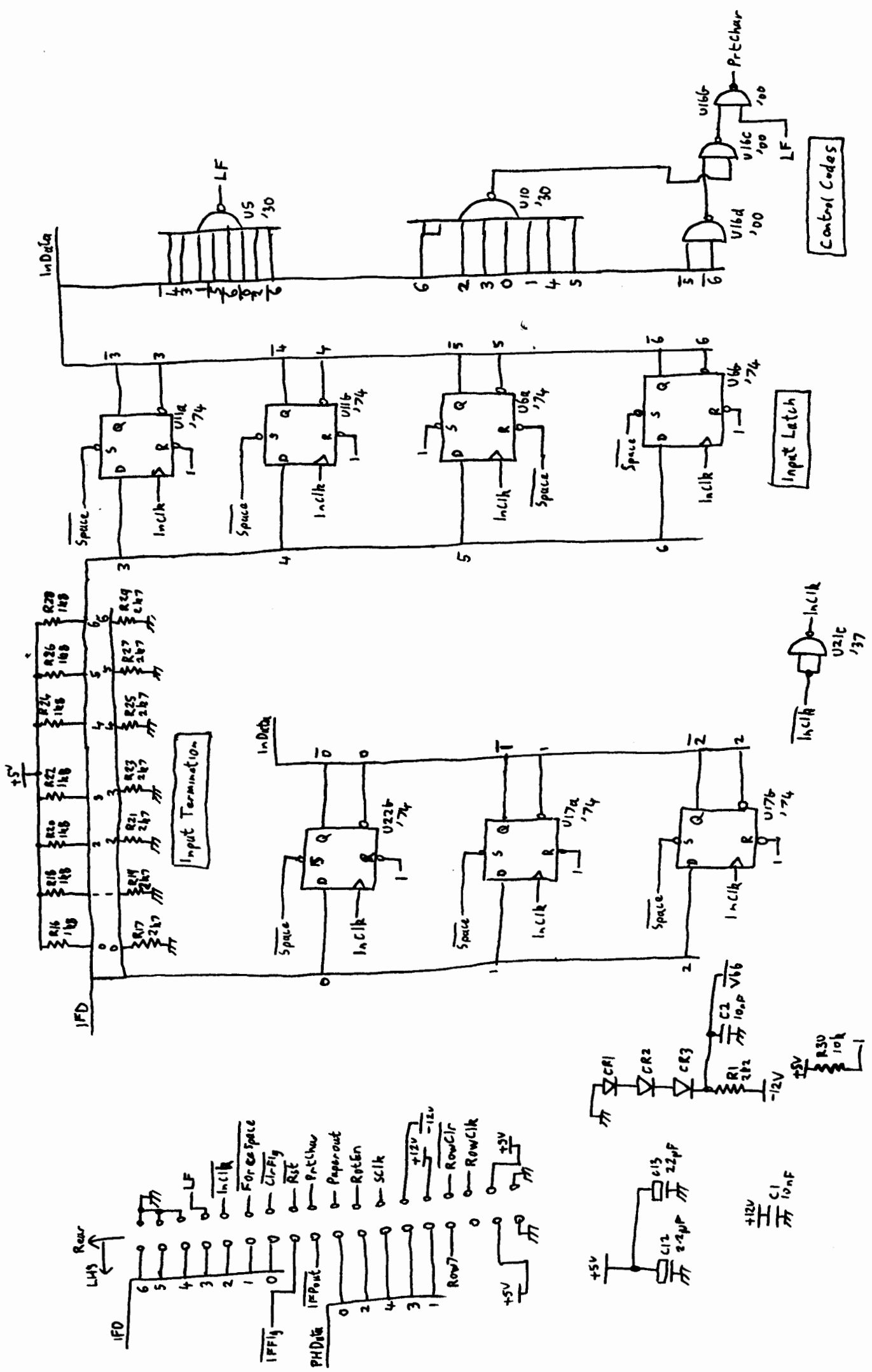
09866-66500

HP9866 Logic Backplane

09866-66501

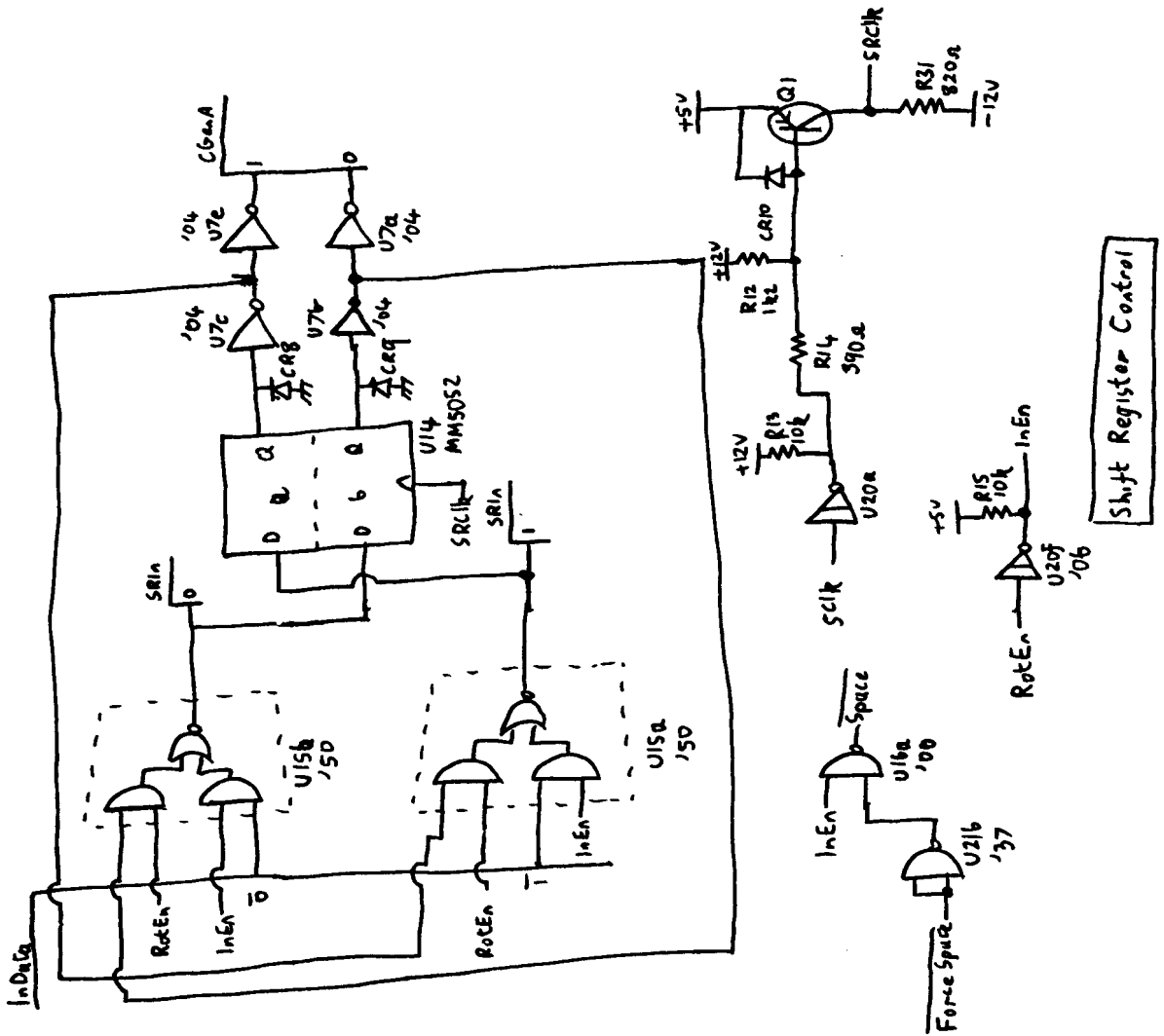
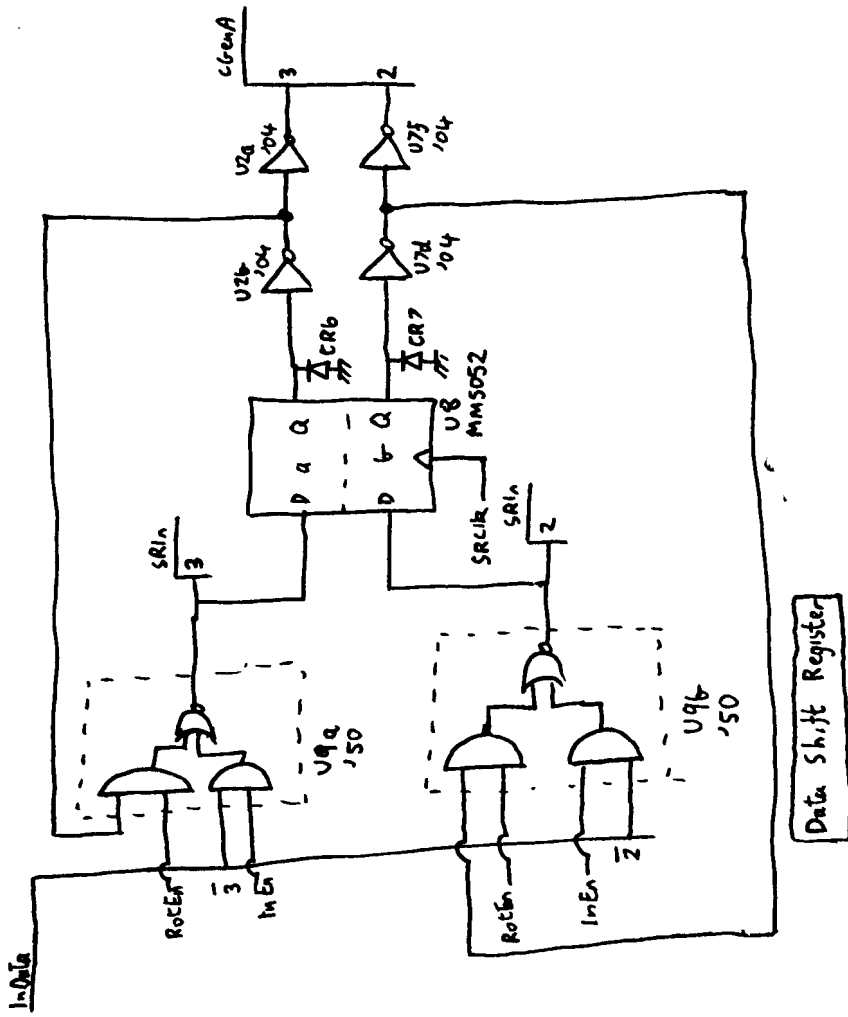
09866-66502

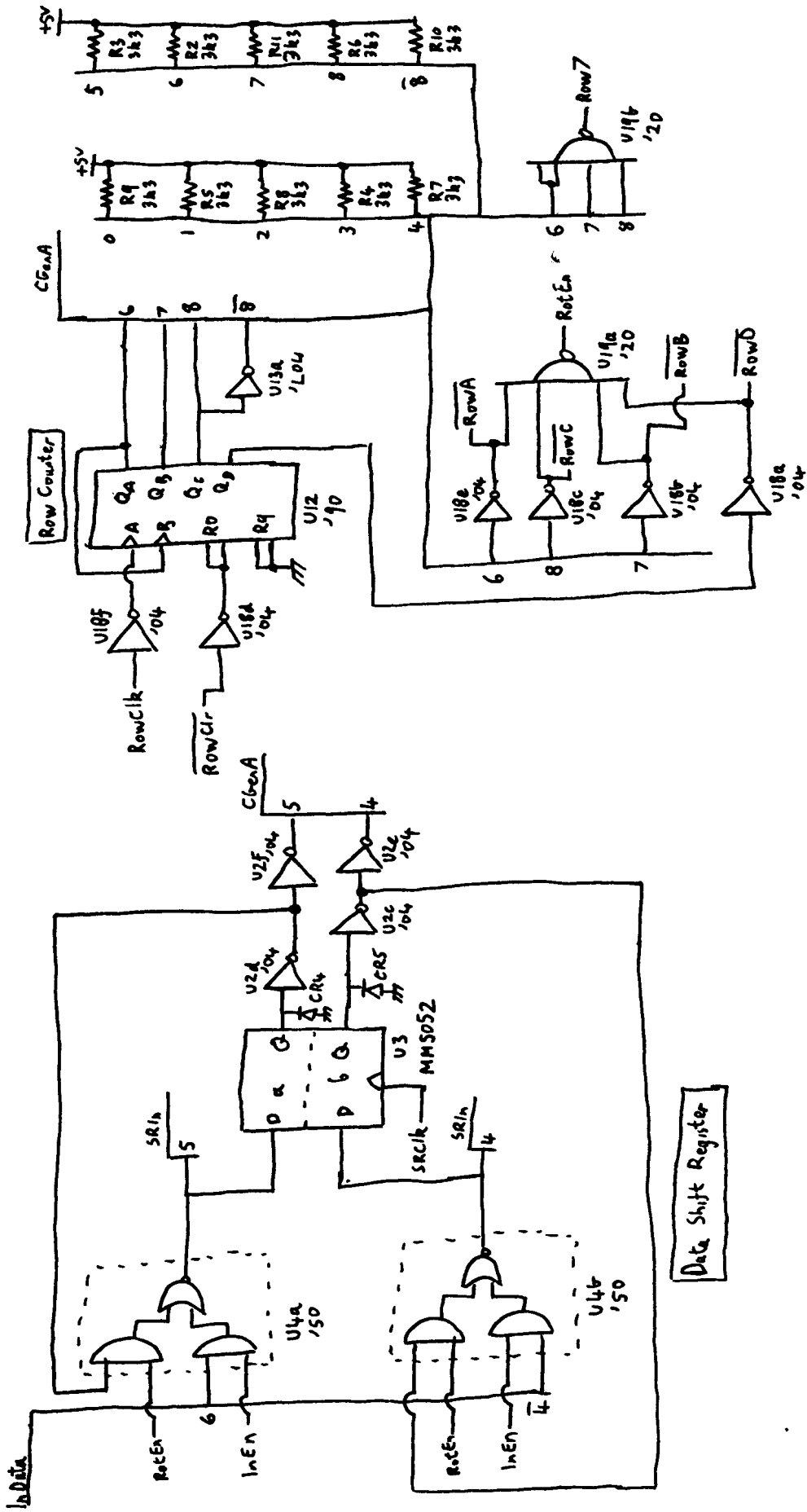
09866-66503

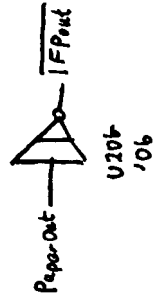
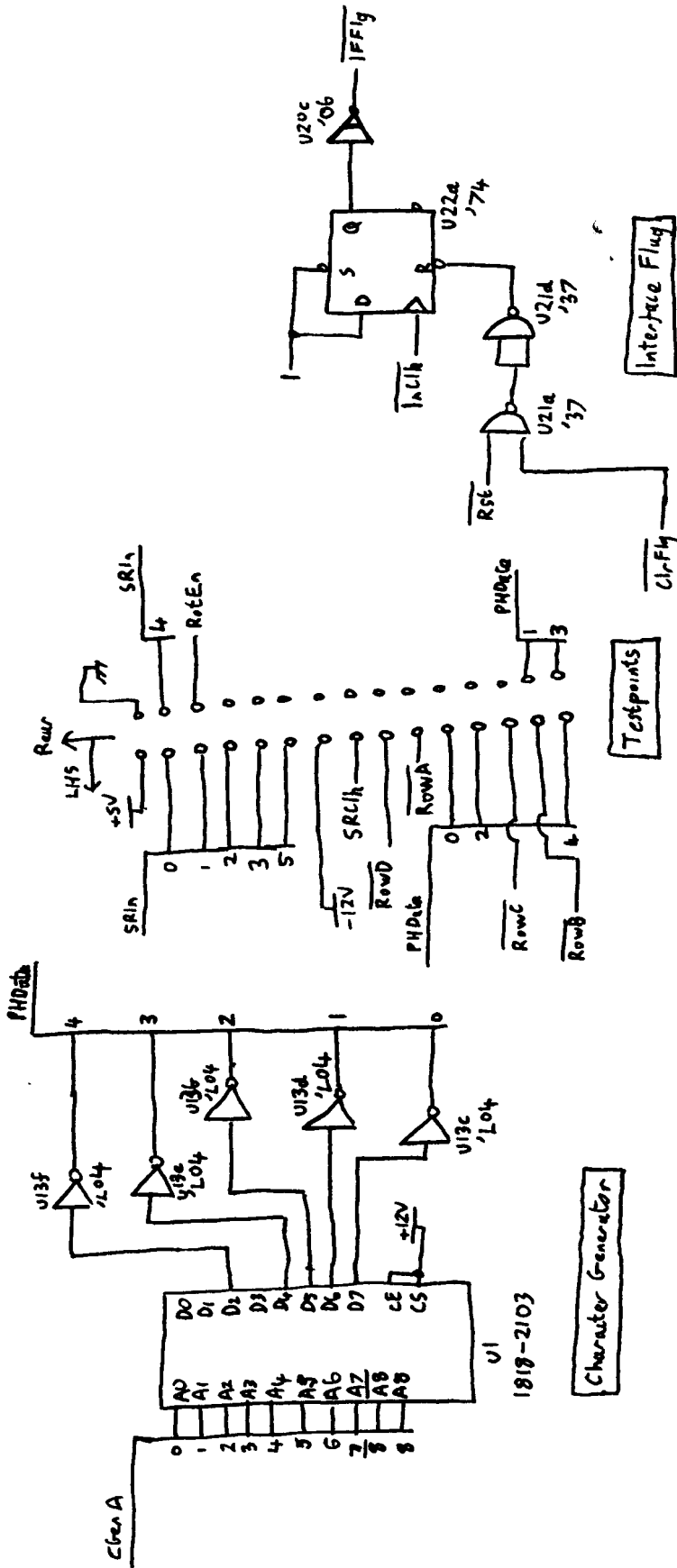


09866-66501

HP 9866 Data Path PCB sheet ① (Br)



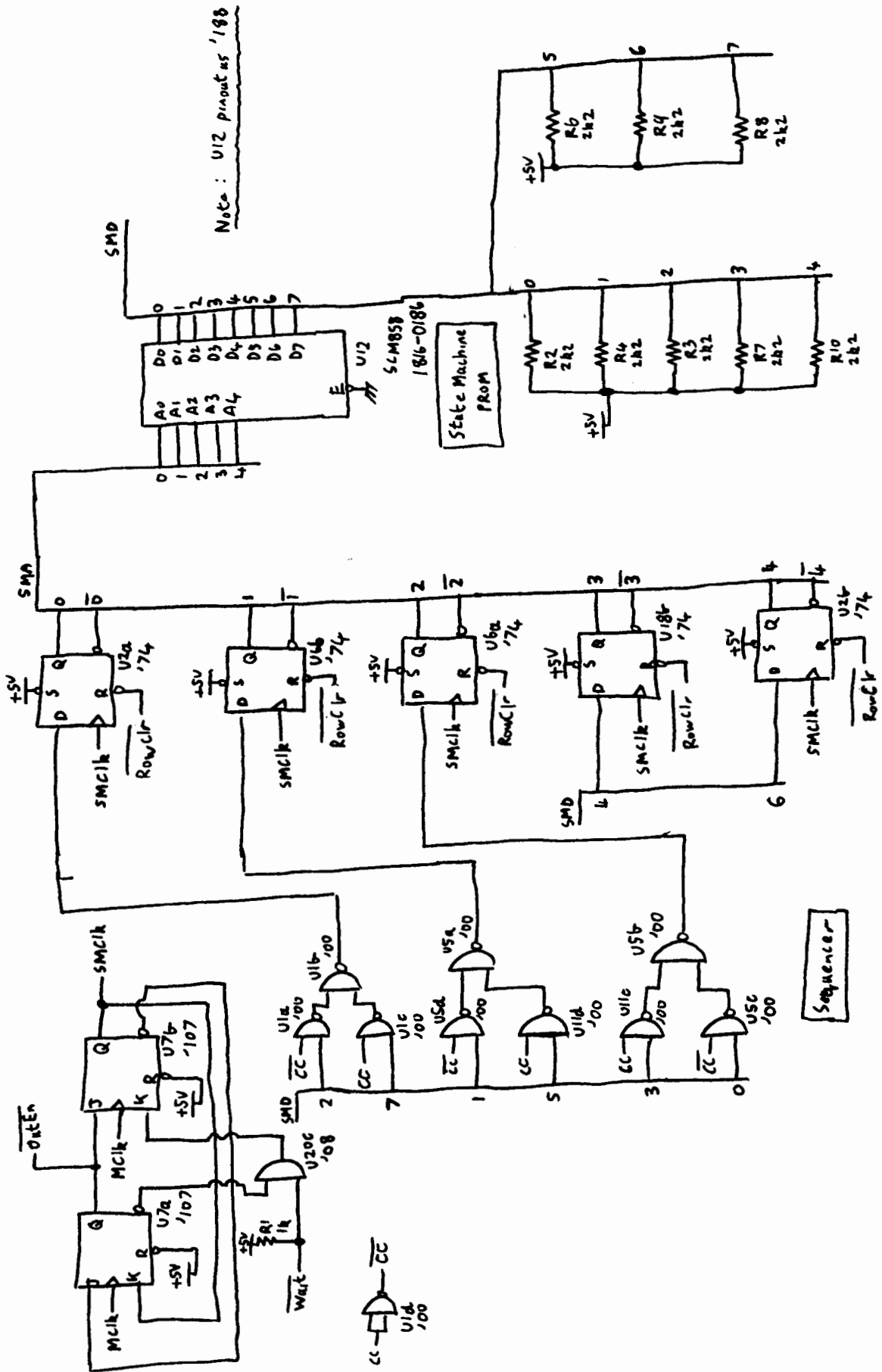




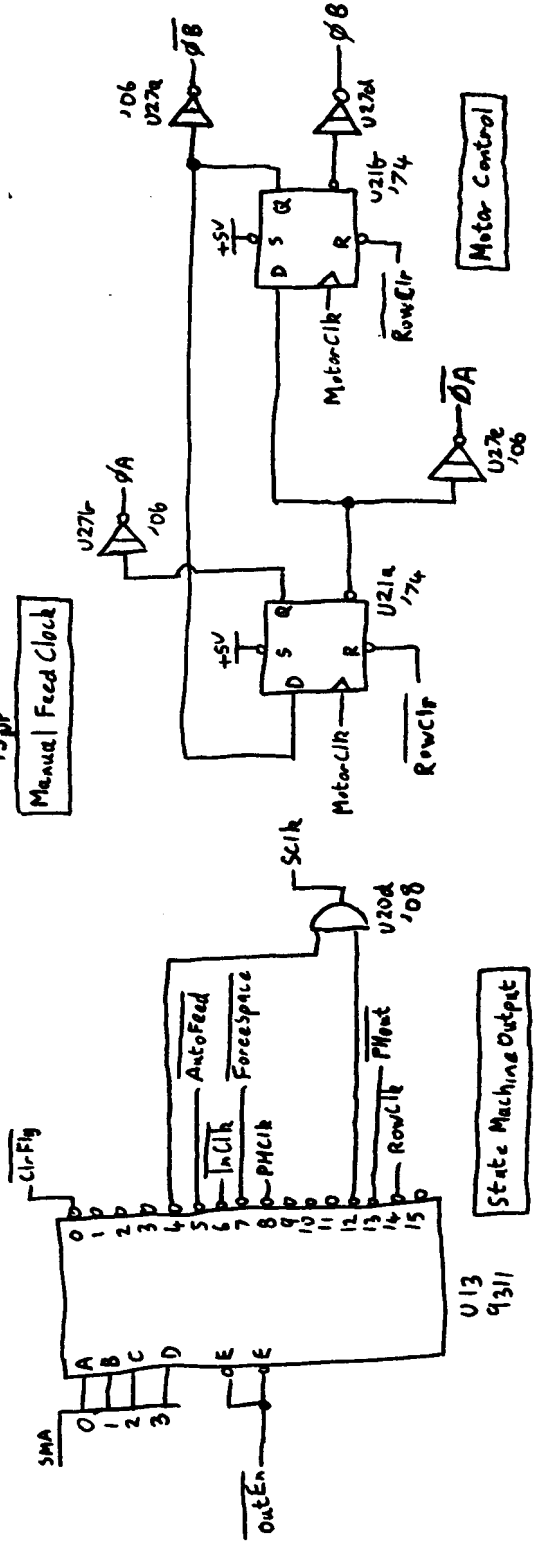
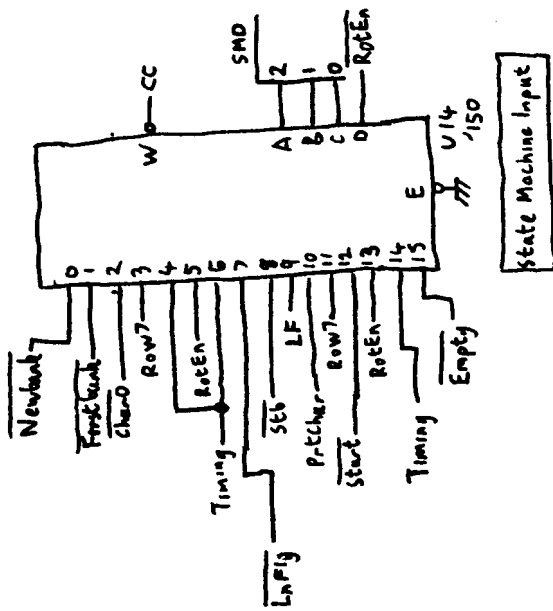
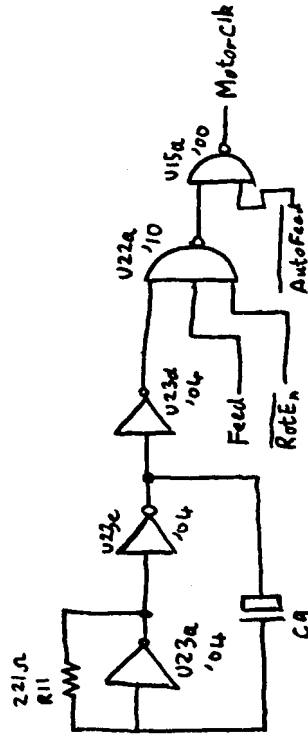
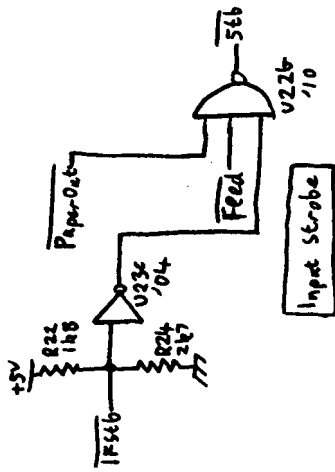
HP9866 Data Path PCB sheet (B) 09866-66501

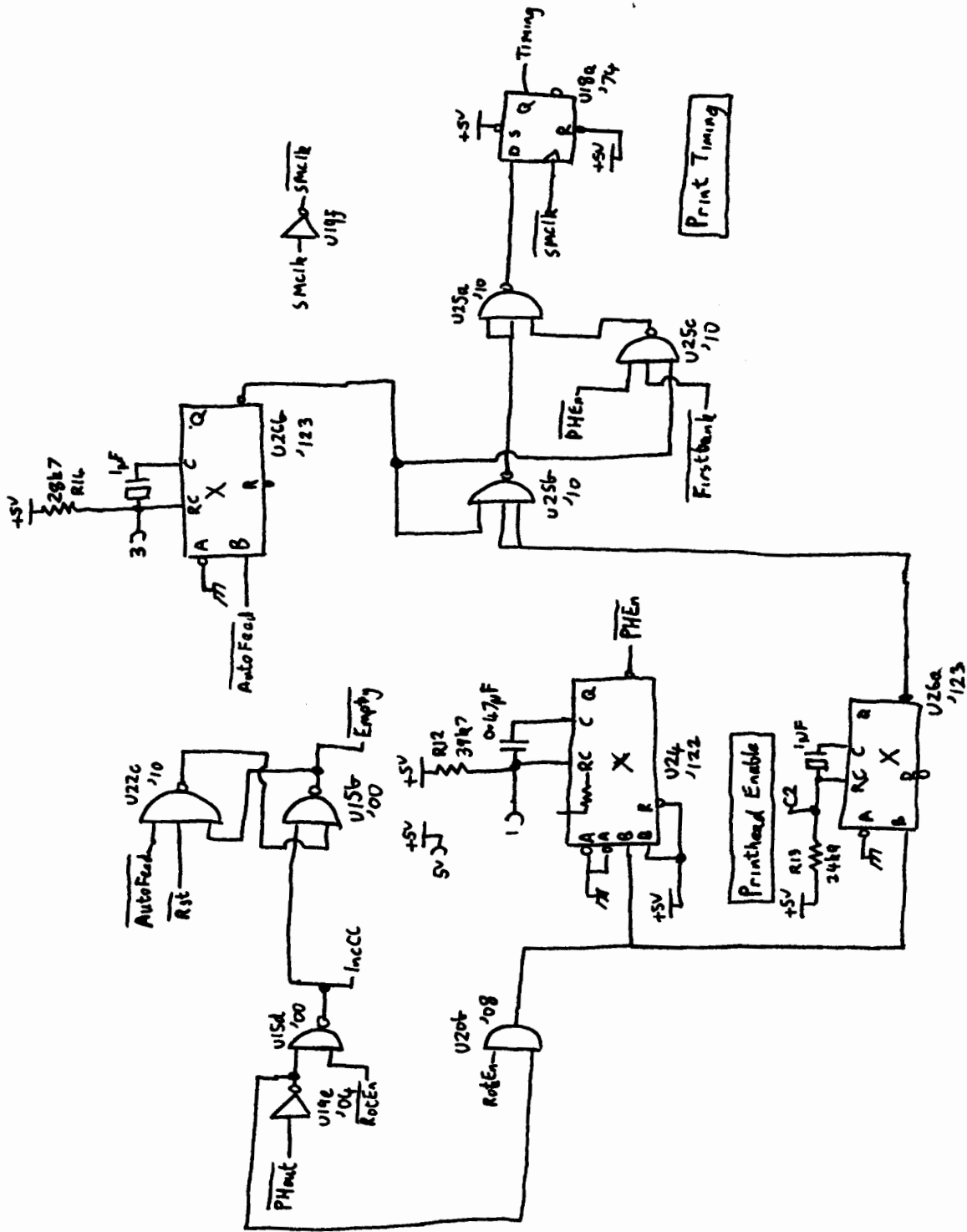


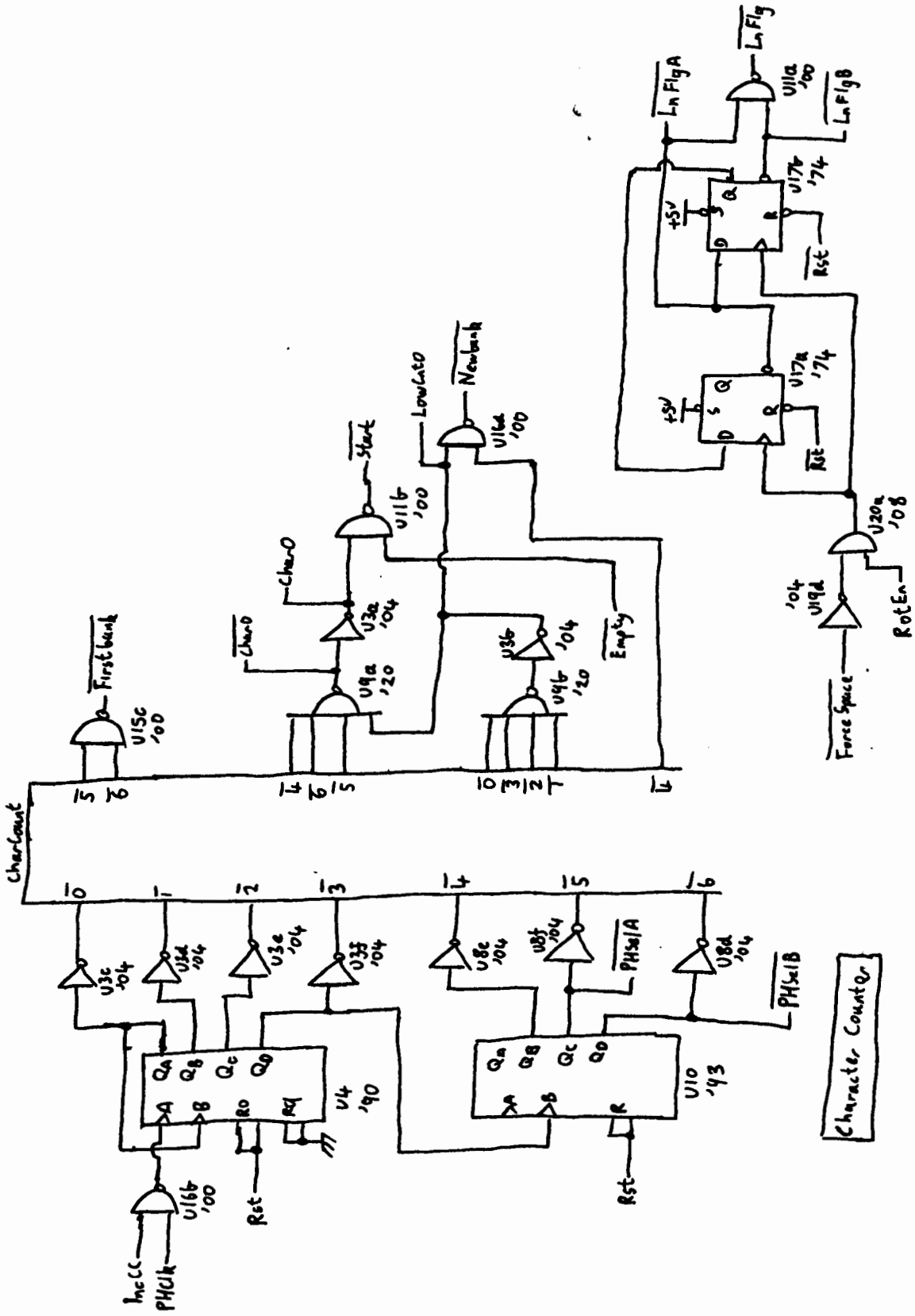


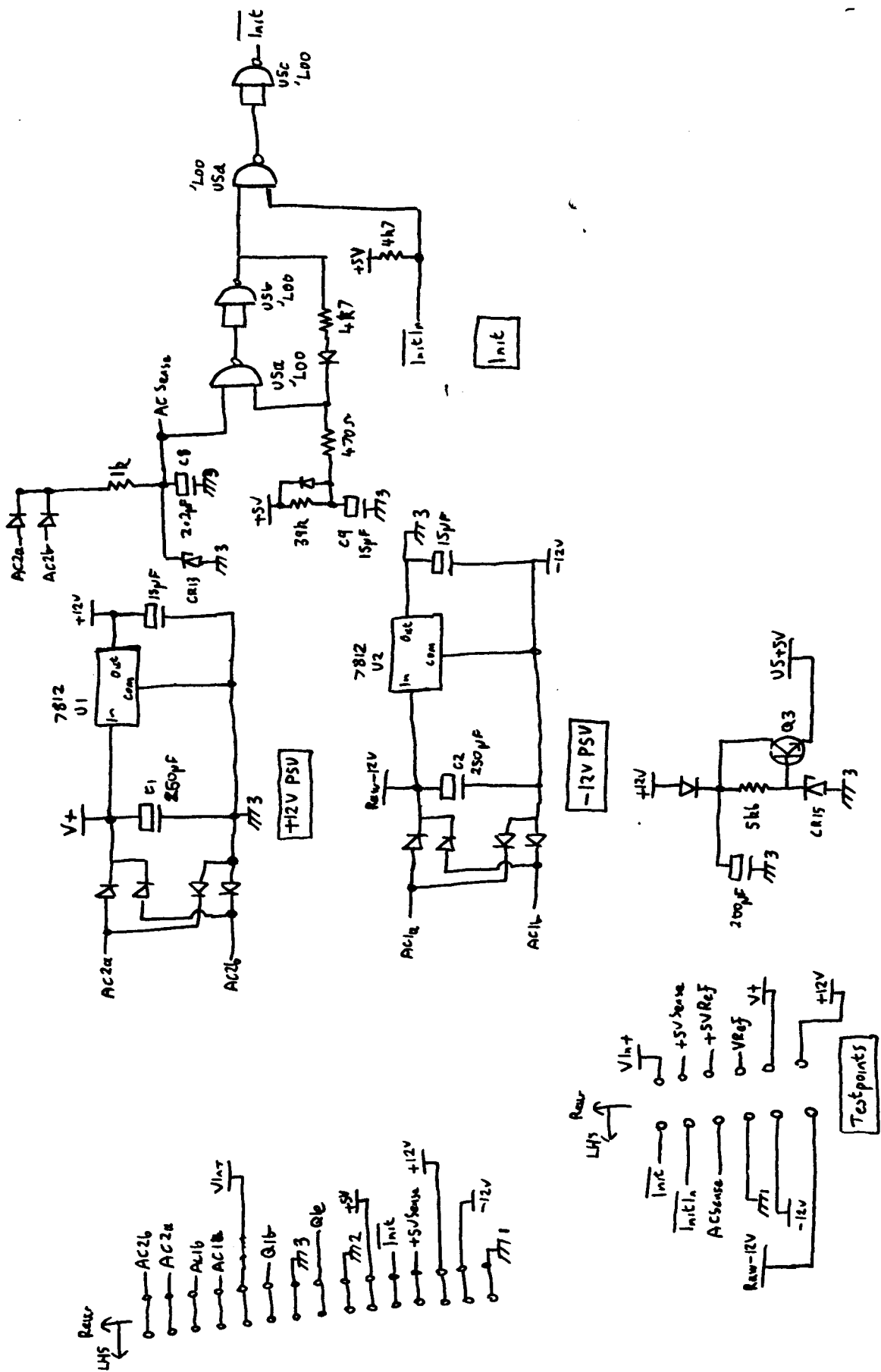


Note: U12 pinouts '198



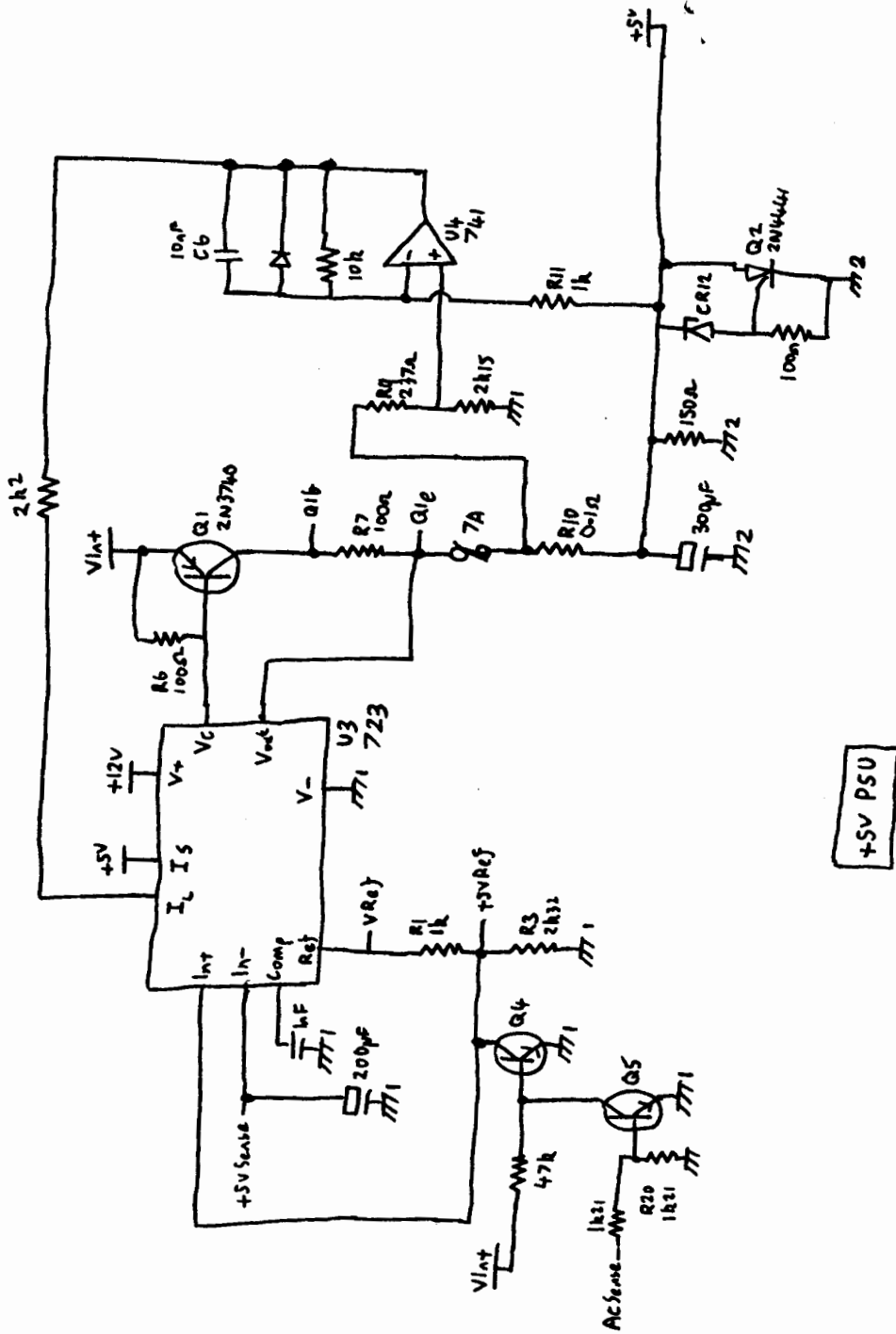




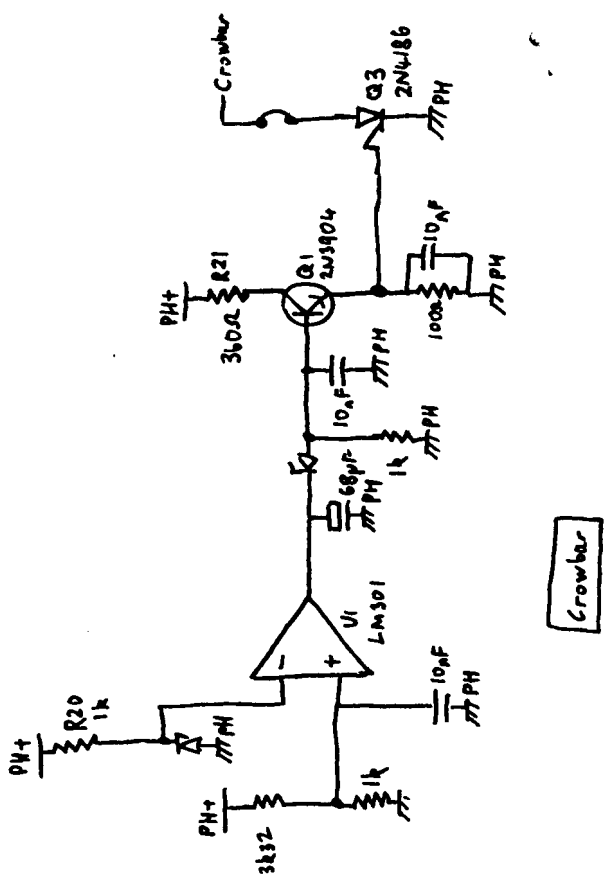
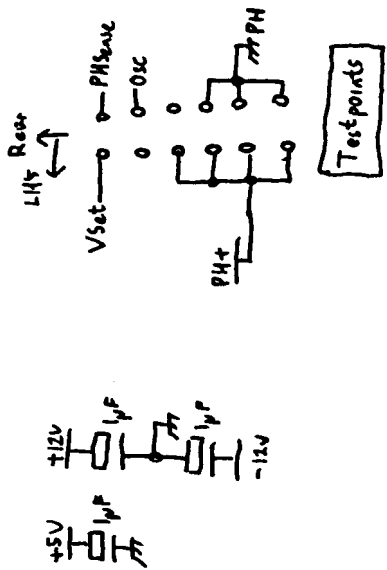
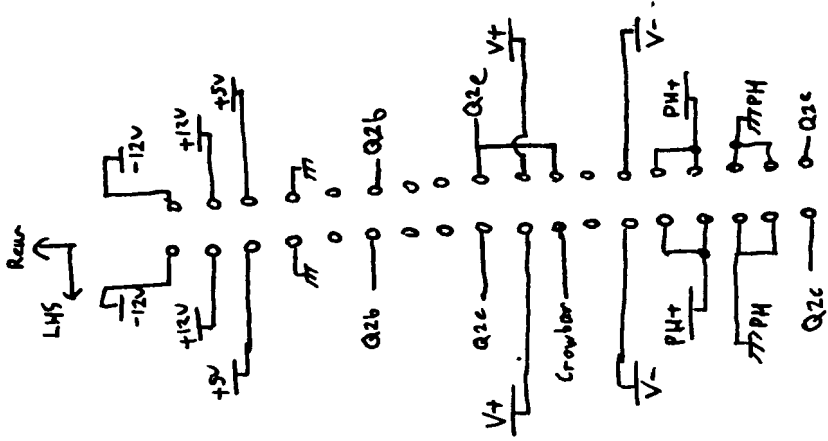


09866-66503

HP9866 Logic PSU Sheet ① (or)

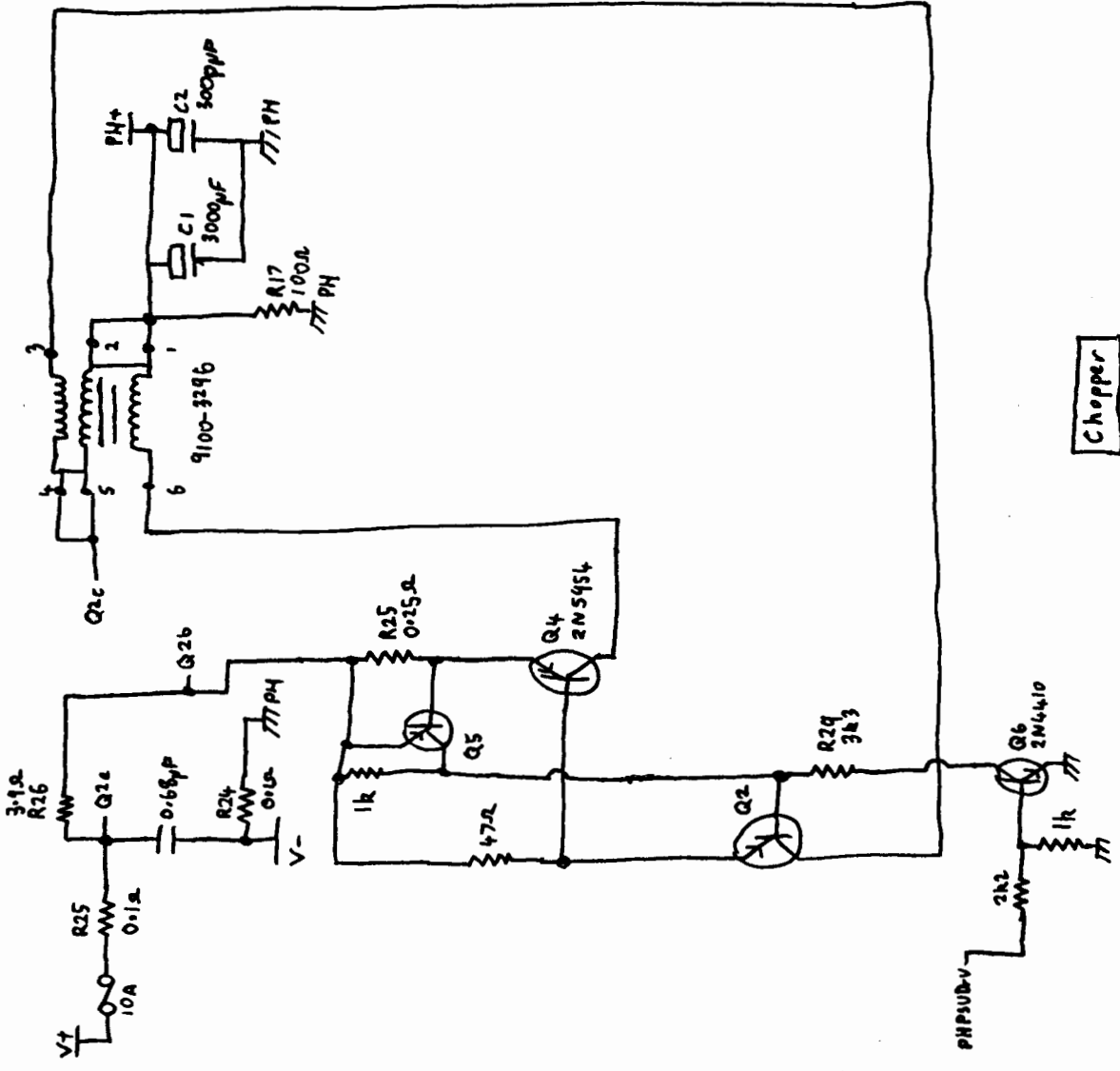


+5V PSU



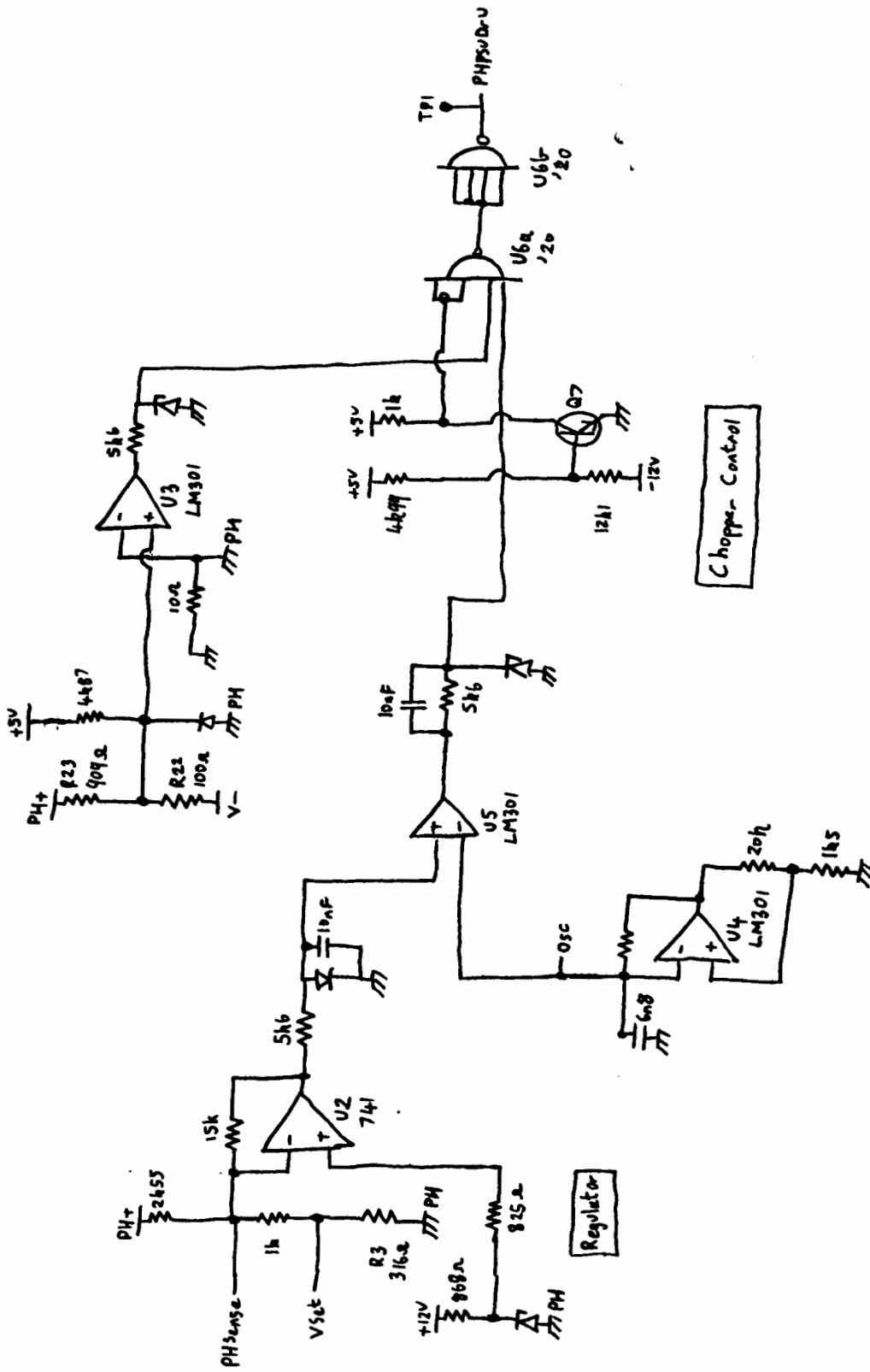
Rear  
LHS

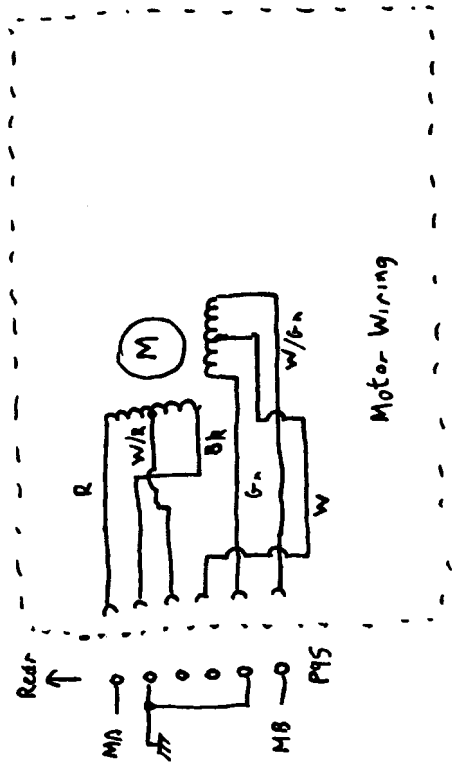
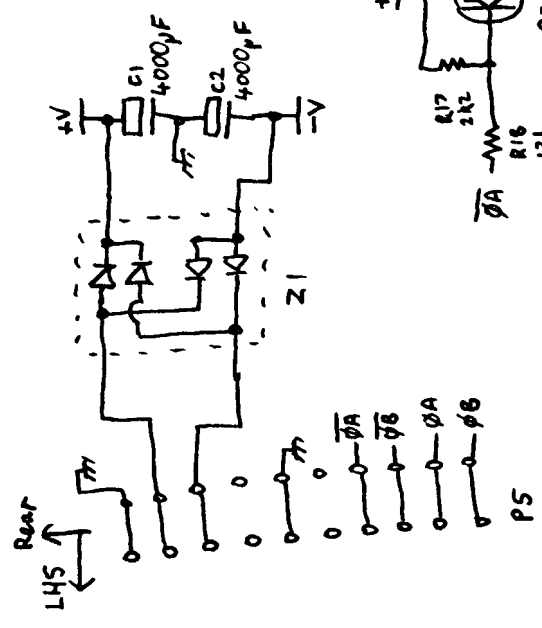
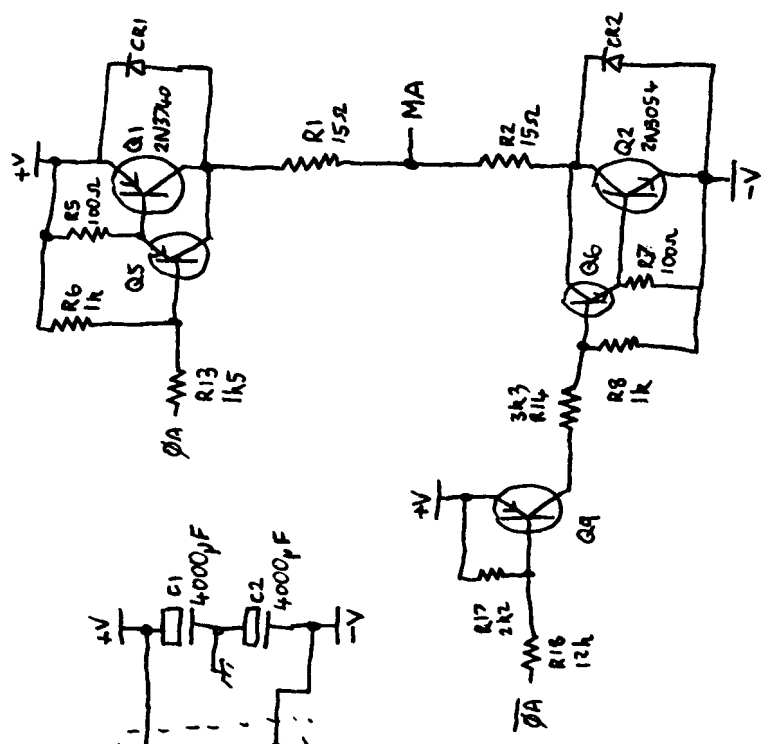
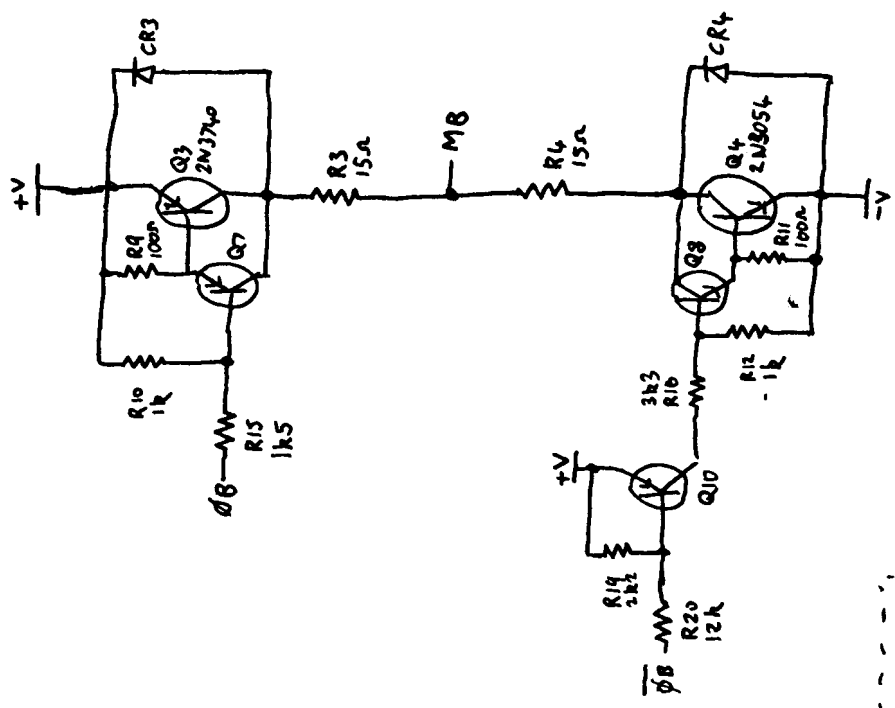
LHS Rear



Chopper

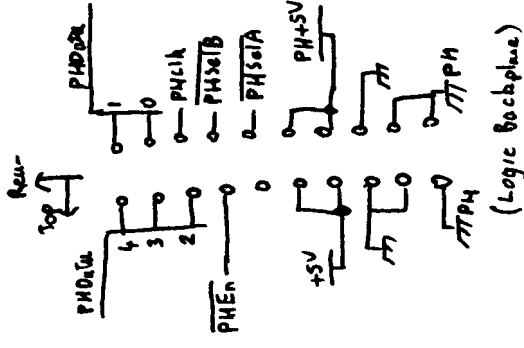




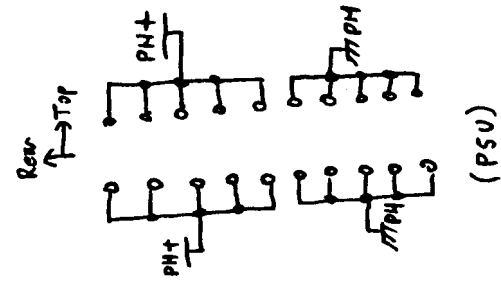


09866-66505

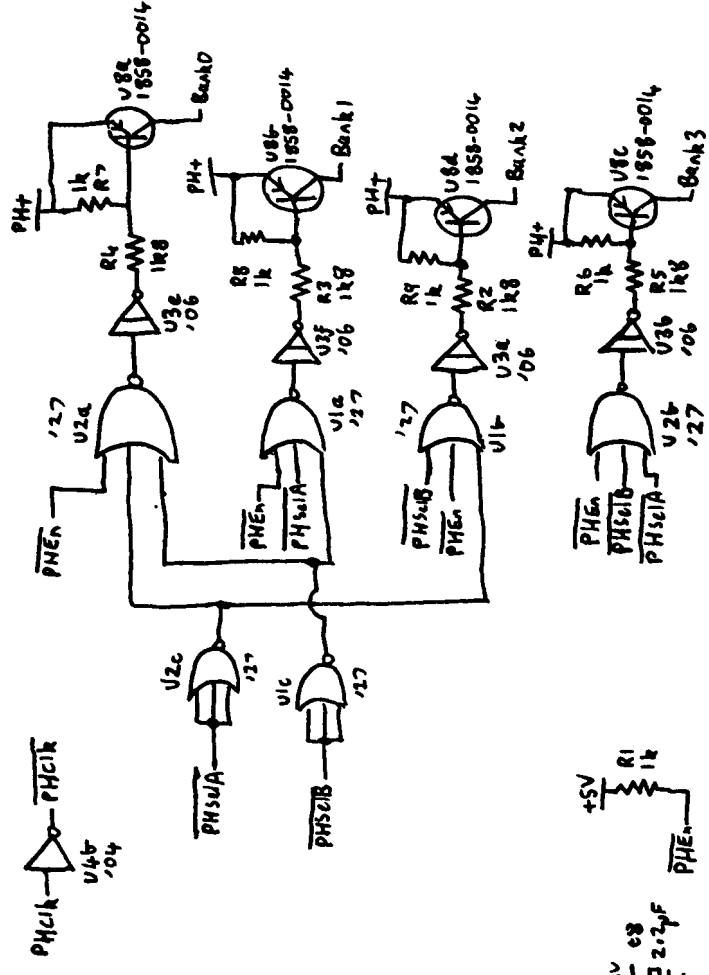
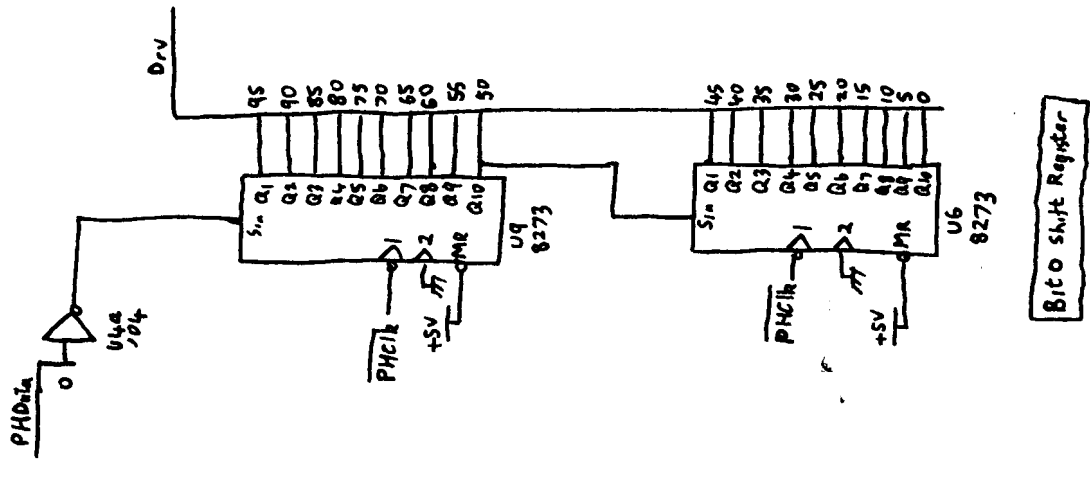
HP4866 Motor Driver PCB (6m)



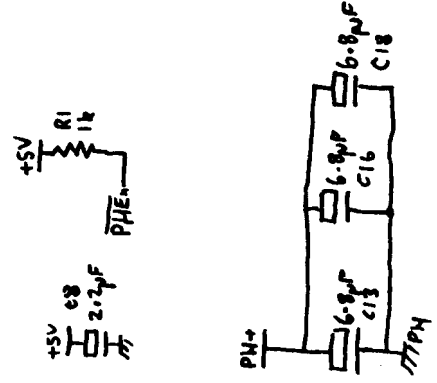
(Logic Backplane)

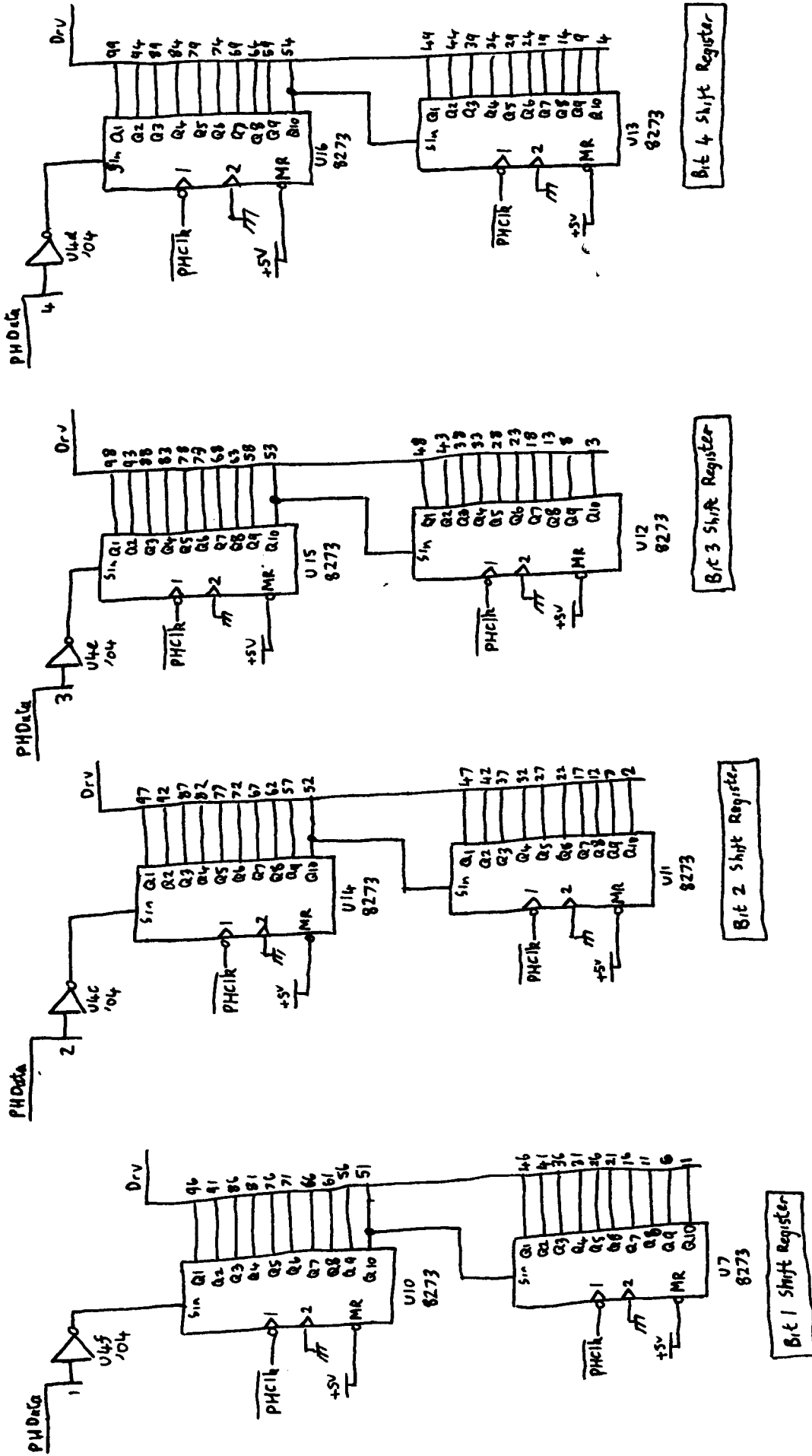


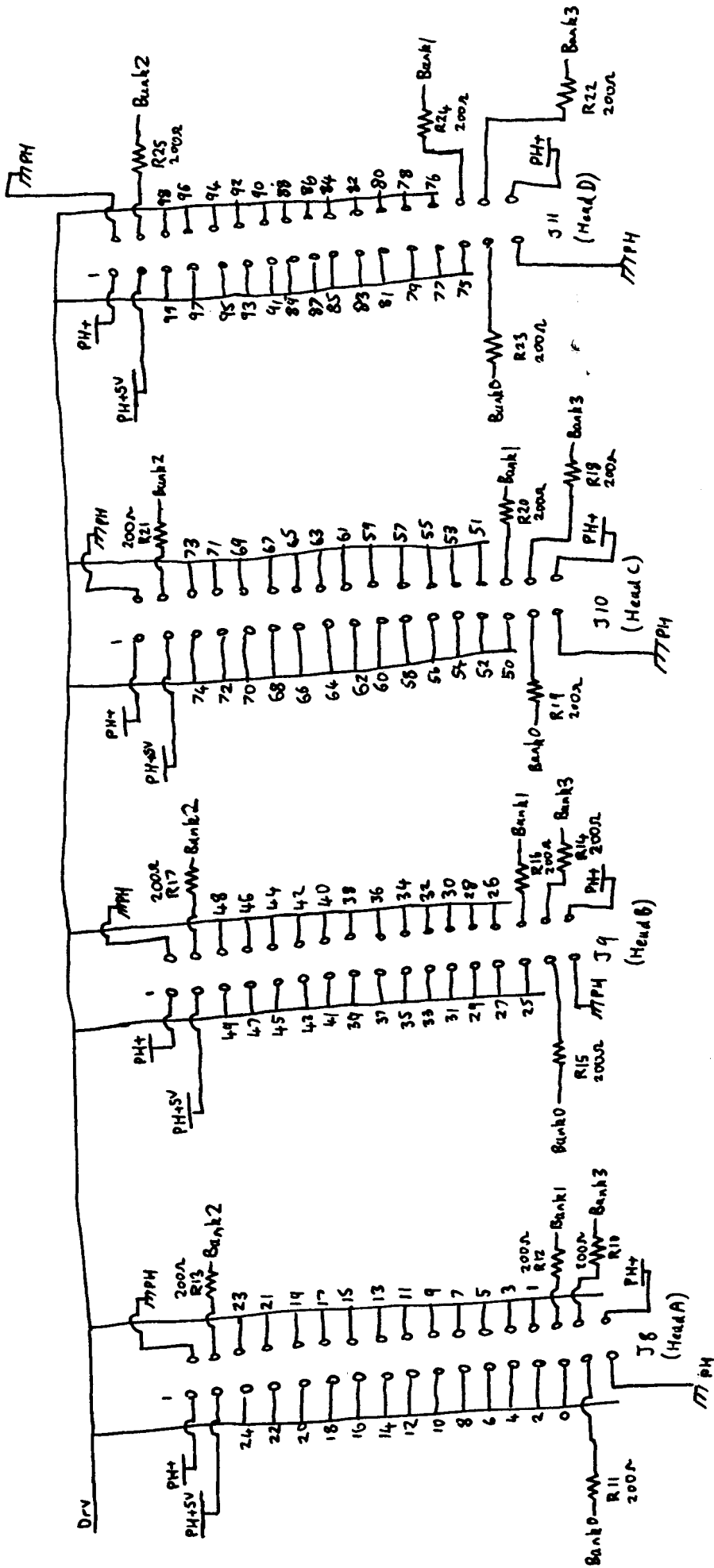
(PSU)



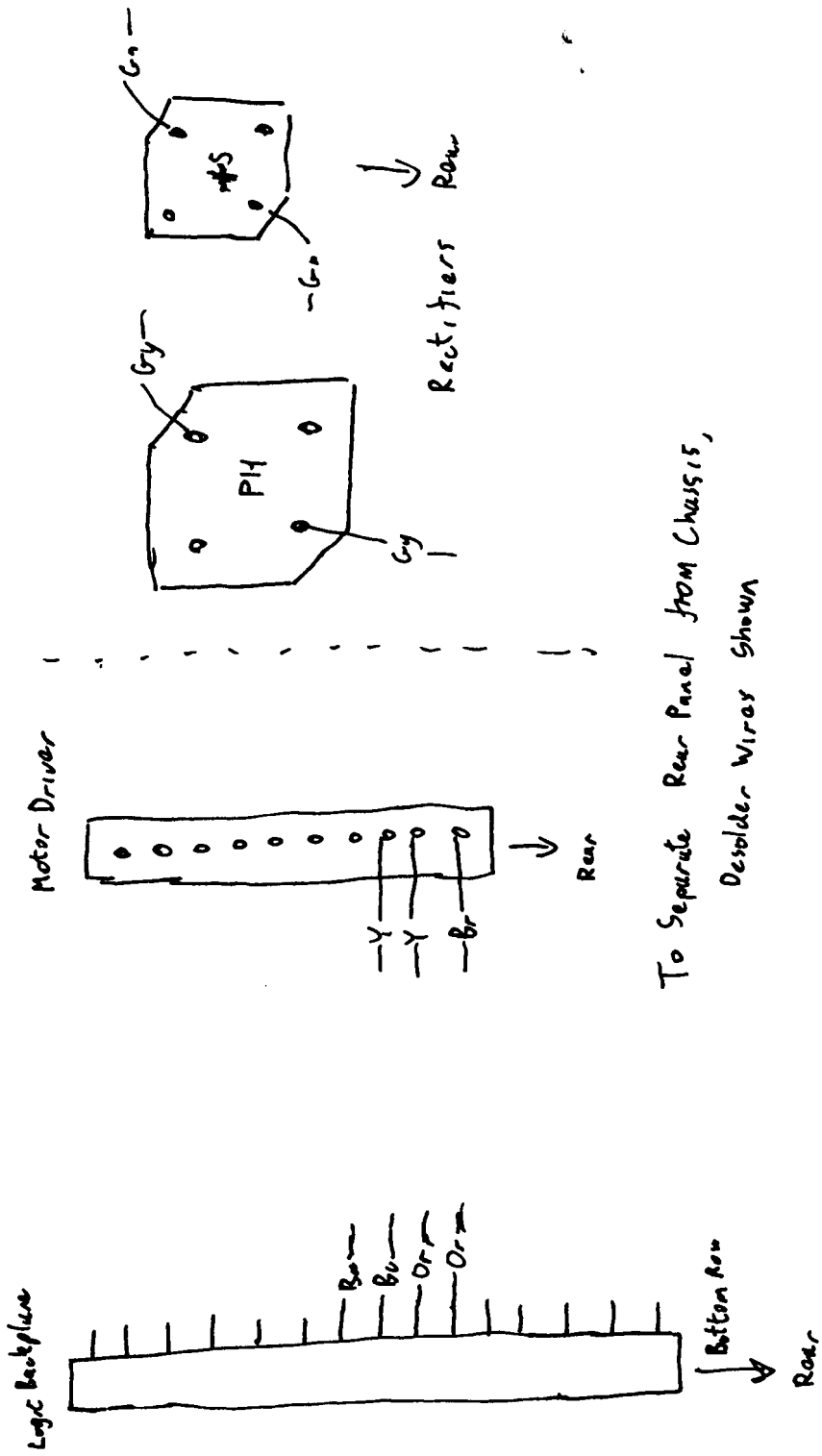
Printhead Bank





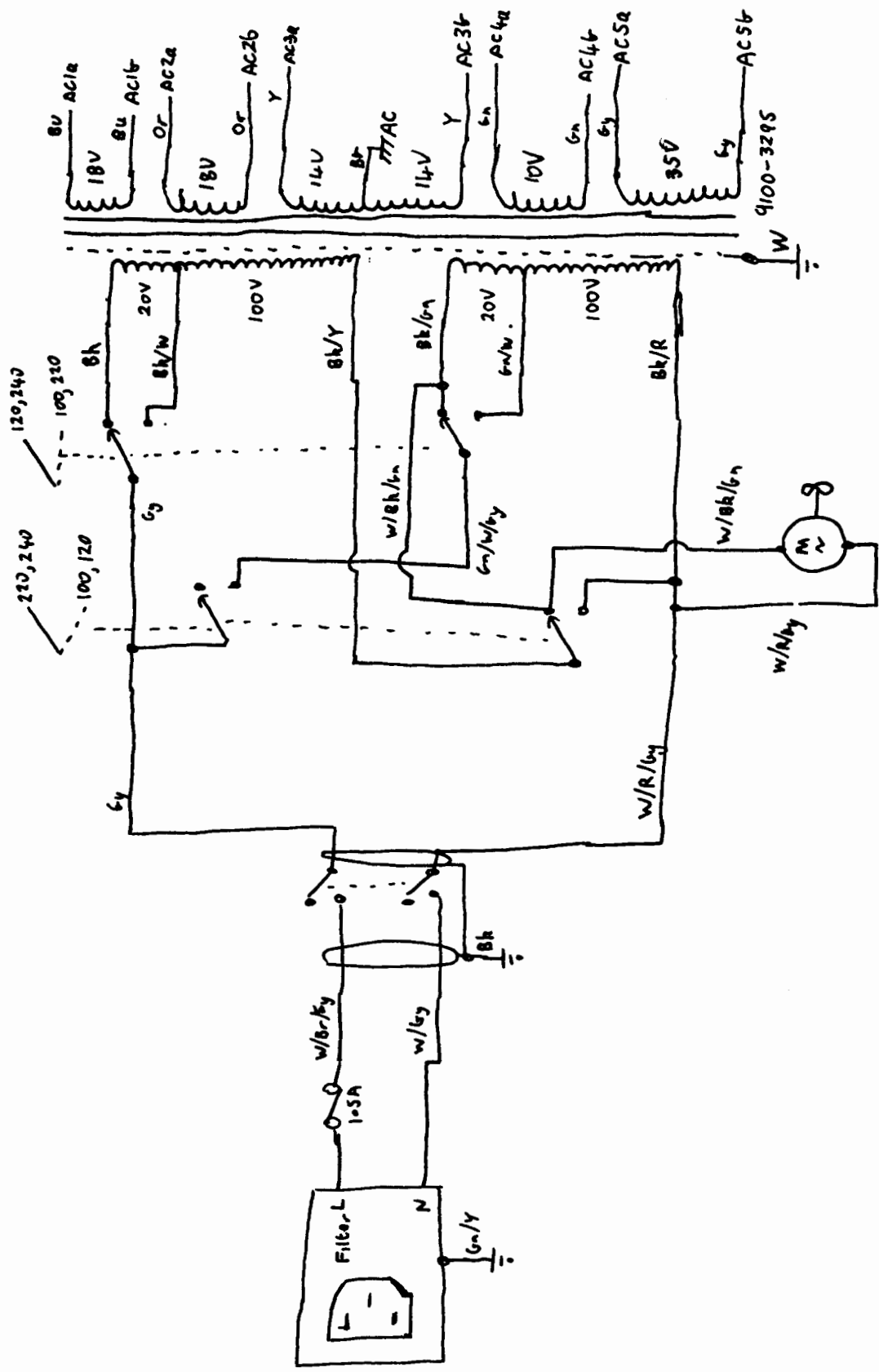


Pinhead Connectors

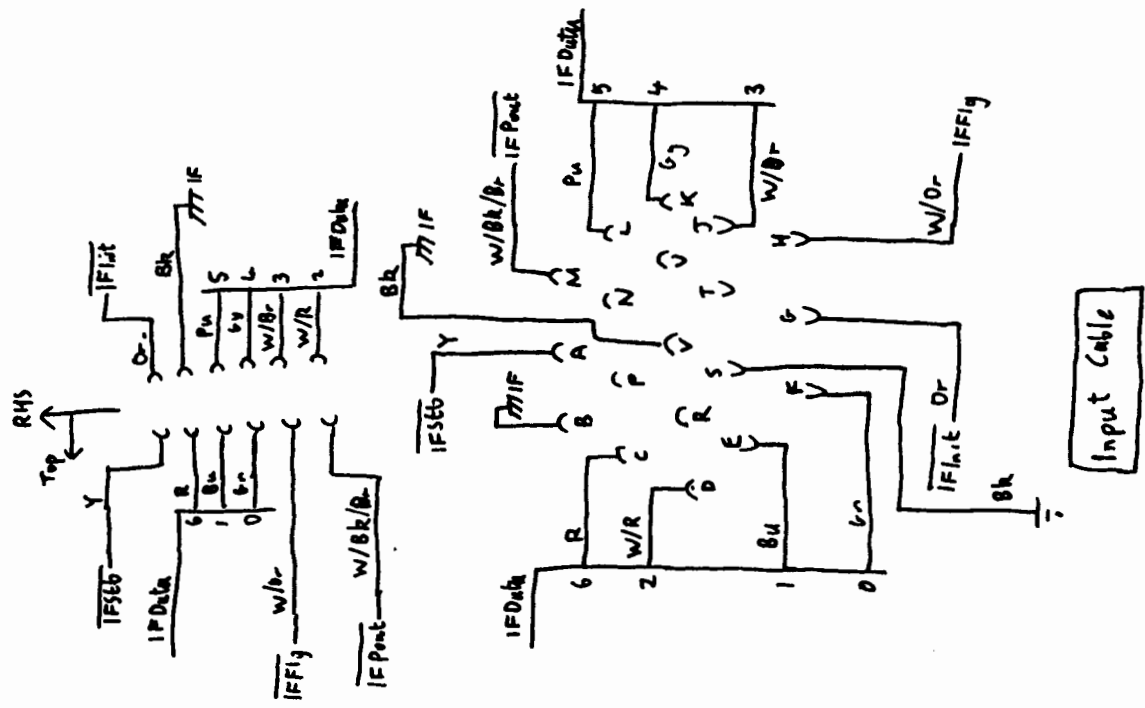
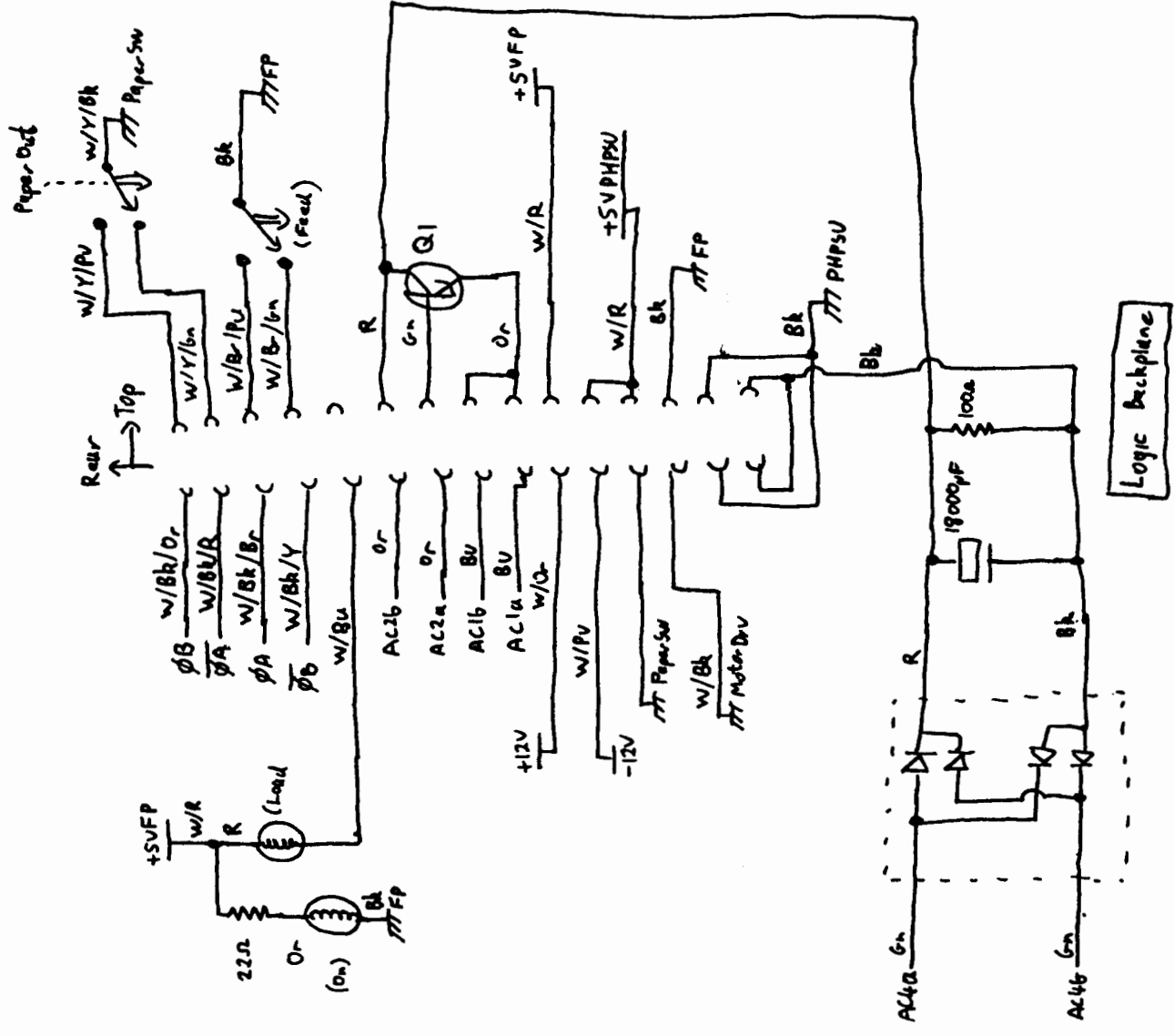


To Separate Rear Panel from Chassis,  
 Desolder Wires Shown

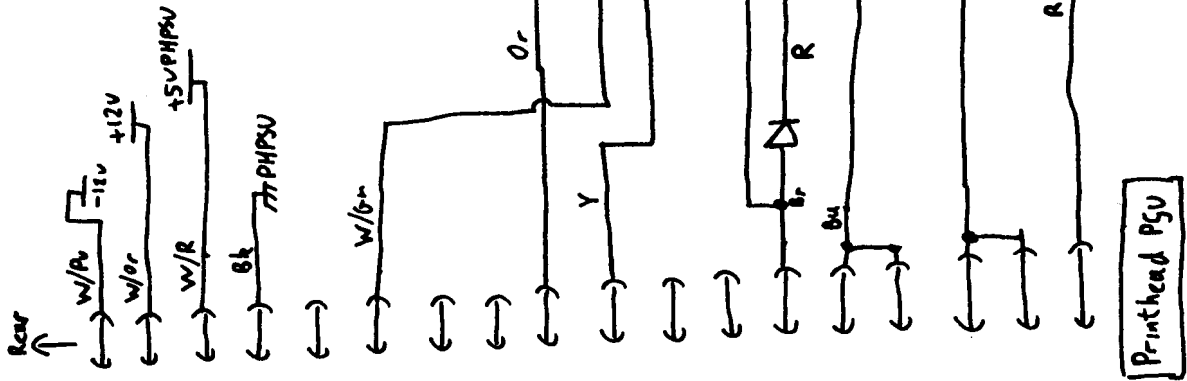
HP9866 Printer



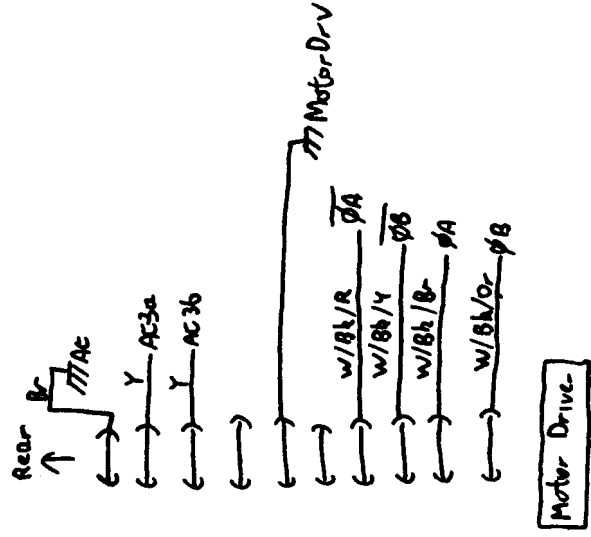
HP9866 Chassis Wiring Sheet ①



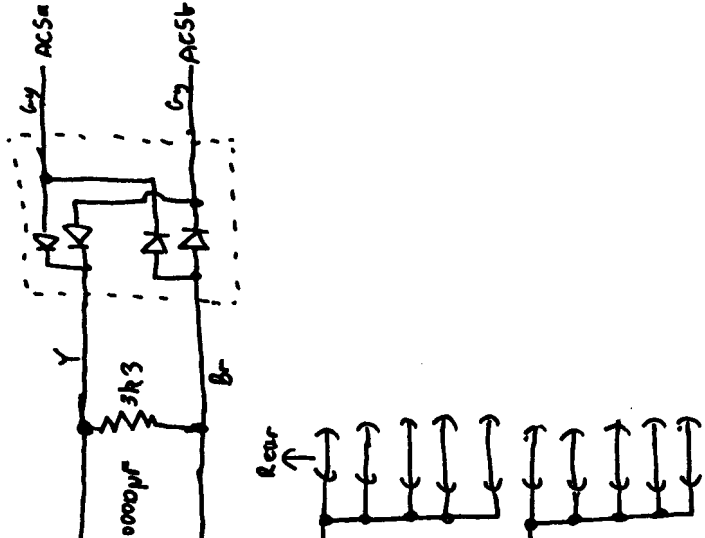




Printhead PSU



Motor Drive



Printhead Driver