

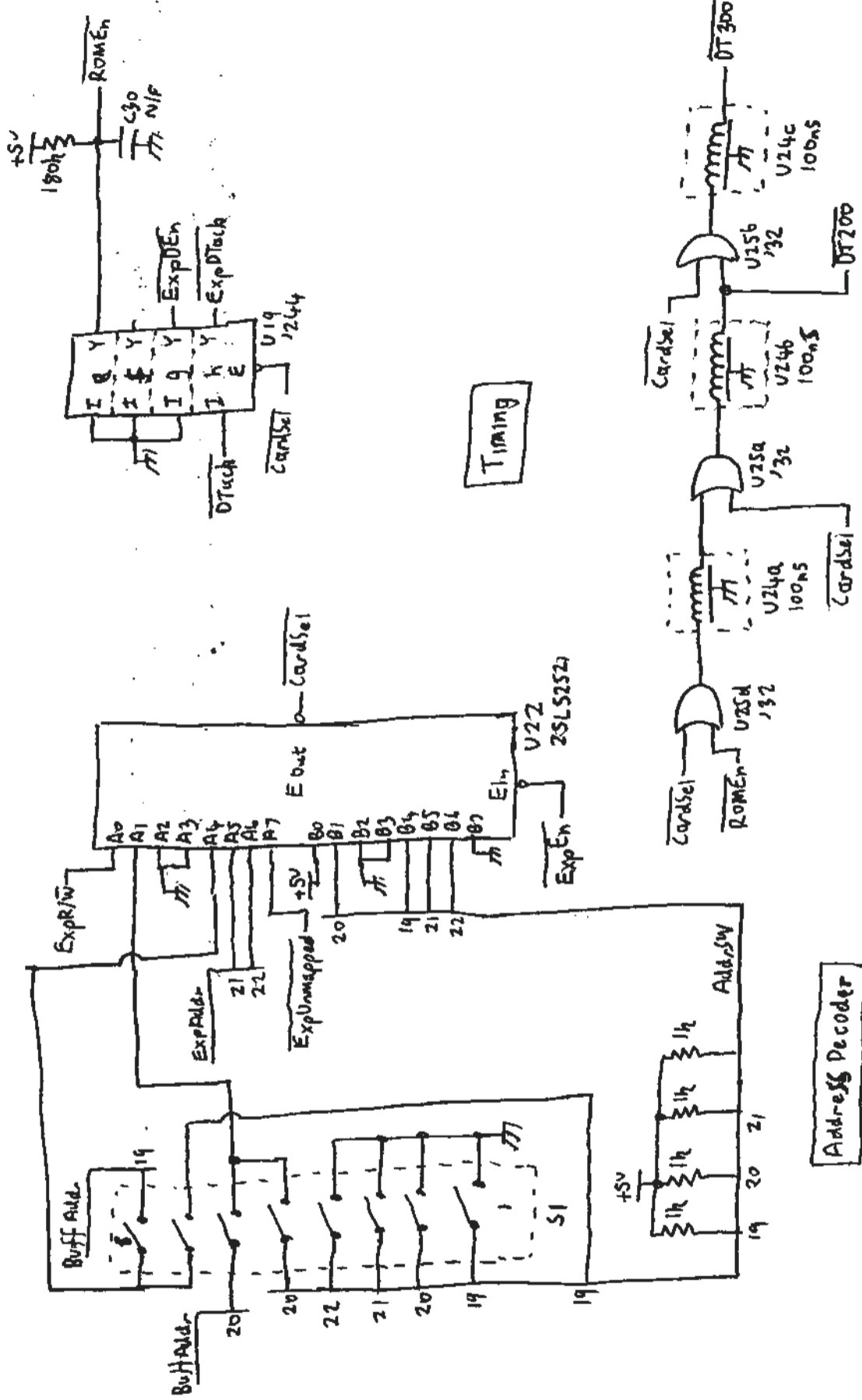
82971-60001

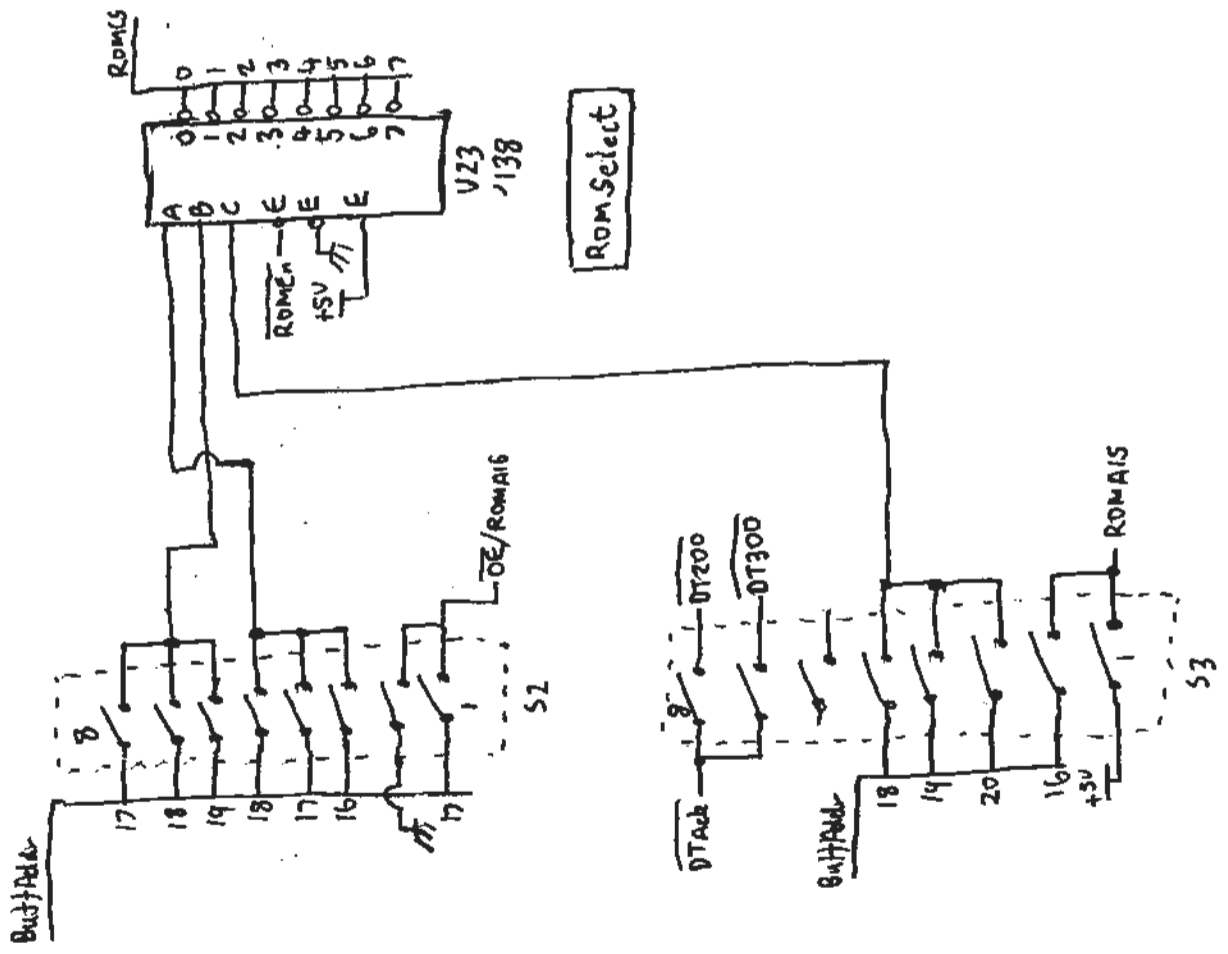
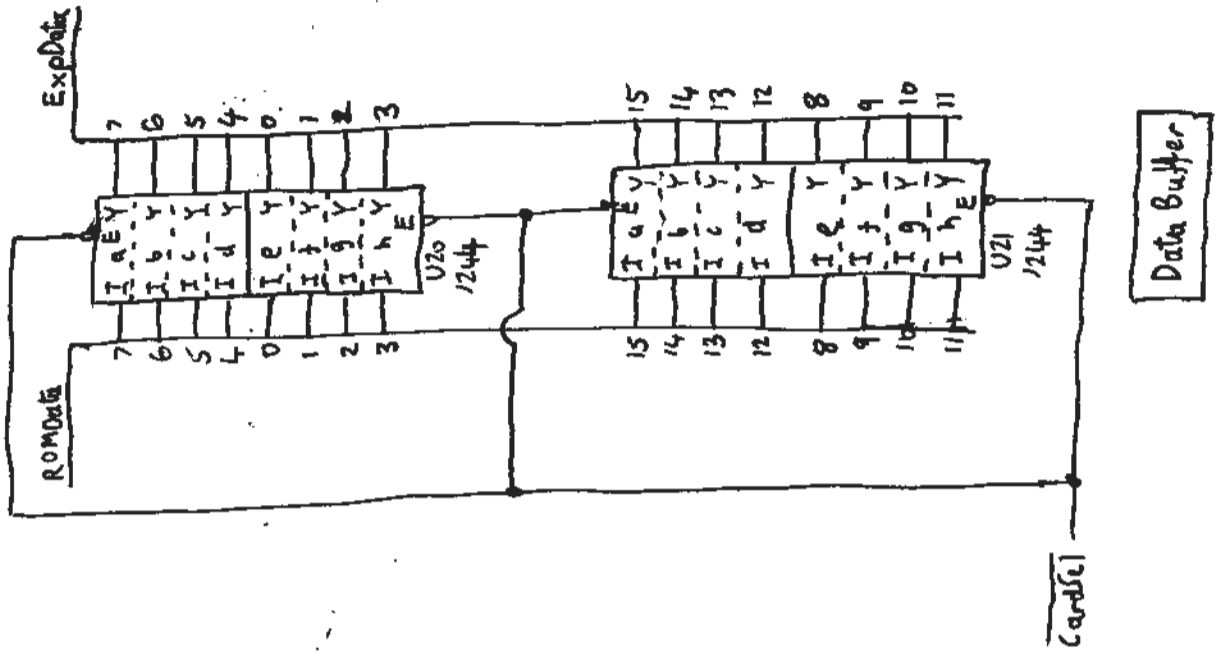
Module Sheet 1

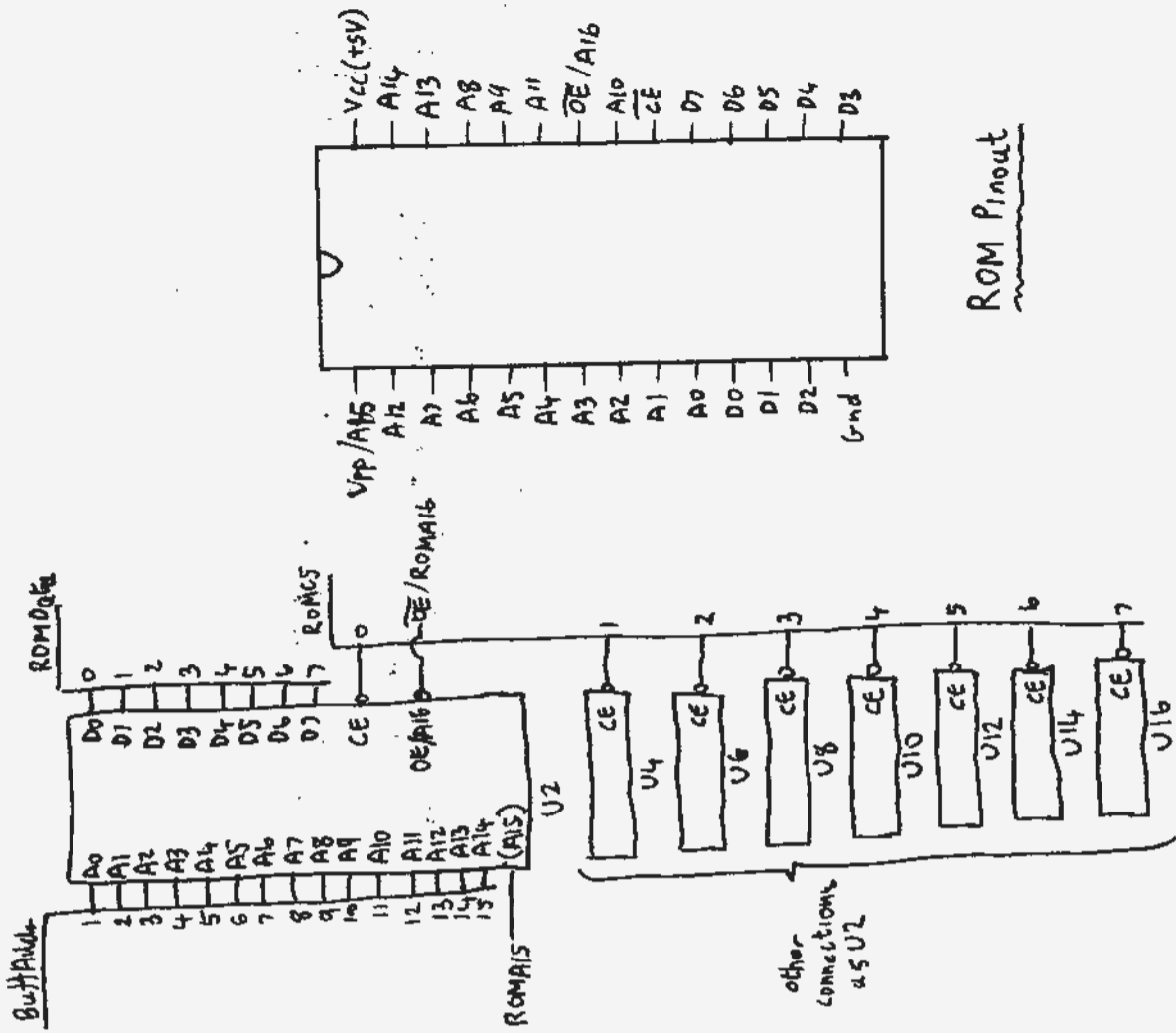
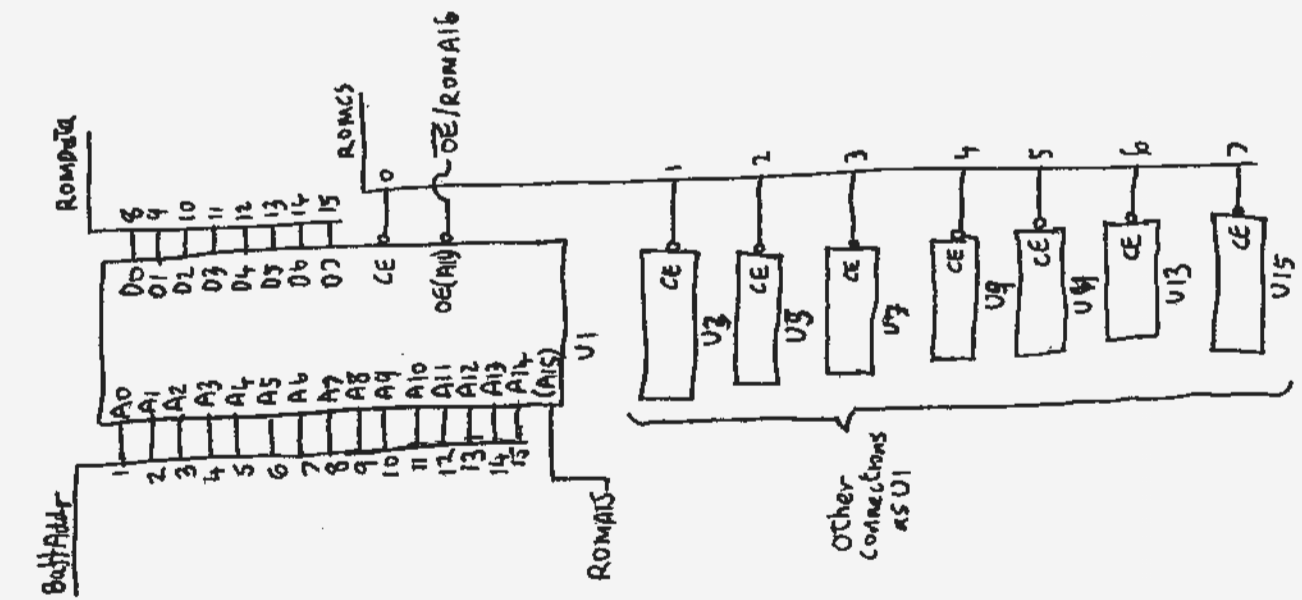
HP 82971 ROM/EPROM

(Expansion Slot)

(Daughterboard)







ROM